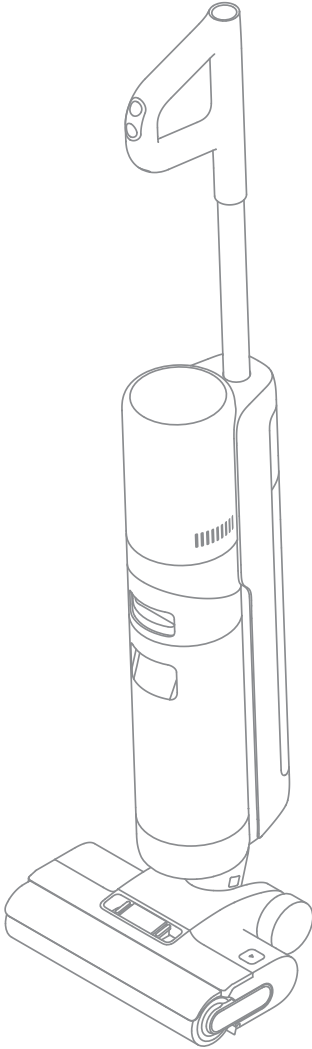


Dreame H12 Pro

Wet and Dry Vacuum User Manual



The illustrations in this manual are for reference only.
Please refer to the actual product.

dreame

THANK YOU

FOR PURCHASING THIS DREAME
WET AND DRY VACUUM.

Registration Quick Start

Welcome to register a Dreame account by scanning the QR code. You are available for the **User Manual** and **Special Offers**.



With it you are obtaining a high quality product that is engineered for optimal performance.

If you have any questions on the product, please contact us: aftersales@dreame.tech.

Contents

EN	User Manual	001
DE	Benutzerhandbuch	019
FR	Manuel d'utilisation	037
IT	Manuale utente	055
ES	Manual de usuario	073
RU	Руководство пользователя	091
PL	Instrukcja obsługi	109
HE	מדריך למשתמש	127
NL	Gebruikershandleiding	145
TH	คู่มือการใช้งาน	163
VN	Hướng Dẫn Sử Dụng	181

Important Safety Instructions For Household Use Only

- Please read this manual carefully before use and retain it for future reference.
- When using an electrical appliance, basic precautions should always be followed, including the following:
- **READ ALL INSTRUCTIONS BEFORE USING (THIS APPLIANCE).** Failure to follow the warnings and instructions may result in electric shock, fire and/or serious injury.

WARNING- To reduce the risk of fire, electric shock, or injury:

- Use only as described in this user guide. Use only manufacturer's recommended attachments.
- Use indoors only, on non-carpeted floor surfaces such as vinyl, tile, sealed wood, etc. Be careful not to run over loose objects or the edges of area rugs. Stalling the brush may result in premature belt failure.
- This appliance should not be used by children younger than 8 years old nor persons with physical, sensory, intellectual deficiencies, or limited experience or knowledge without the supervision of a parent or guardian to ensure safe operation and to avoid any risks. Cleaning and maintenance shall not be performed by children without supervision.
- Do not use a flammable or combustible liquid to clean floors.
- Do not use to pick up flammable or combustible liquids, such as gasoline. Do not use in areas where flammable or combustible liquids may be present.
- Do not immerse the appliance in liquid.
- Plastic film can be dangerous. To avoid the danger of suffocation, keep it away from children.
- Keep hair, loose clothing, fingers, and all parts of the body away from openings and moving parts of the appliance and its accessories.
- Use only officially-approved floor cleaner as described in the user guide.
- Do not put any object into openings. Do not use the appliance when any opening is blocked; keep free of dust, lint, hair, and anything that may inhibit air flow.
- Keep ground cables away from the appliance when using it, because a hazard may occur if the appliance runs over a supply cord.
- Do not use it without filters in place.
- Do not use the appliance with a damaged attachment (eg: Charging base, Supply cord etc.). If the attachment is damaged, it must be replaced by the manufacturer, its service agent or similar qualified persons in order to avoid hazards.
- Do not pick up toxic material (chlorine bleach, ammonia, drain cleaner, etc.). Do not pick up hard or sharp objects such as glass, nails, screws, coins, etc.

Safety Information

- Do not use the appliance in an enclosed space filled with vapour given off by oil-based paint, paint thinner, some moth-proofing substances, flammable dust, or other explosive or toxic vapour. Do not pick up anything that is burning or smoking, such as cigarettes, matches or hot ashes.
- Do not pull or carry adapter by cable, use cable as a handle, close door on cable, or pull cable around sharp edges or corners.
- Switch off and unplug when not in use, before cleaning, maintaining or servicing the appliance, and before connecting or disconnecting the tool with a moving brush.
- Do not use an appliance that is damaged or modified. Damaged or modified appliance may exhibit unpredictable behavior resulting in fire, explosion, or risk of injury.
- Do not expose the appliance to fire or excessive temperature. Exposure to fire or excessive temperature may cause an explosion.
- Ensure that the appliance is placed on a horizontal surface. Do not use the appliance at the same position if the appliance is equipped with a brush roller and the handle is not completely upright. Do not store the appliance in a place where it may freeze.
- Use extra care when cleaning on stairs.
- Prevent unintentional starting. Ensure the switch is in the OFF-position before picking up or carrying the appliance. Carrying the appliance with your finger on the switch or energizing appliance that have the switch on invites accidents.
- Have servicing performed by a qualified repair person using only identical replacement parts. This will ensure that the safety of the appliance is maintained.
- Do not modify or attempt to repair the appliance except as indicated in the instructions for use and care.
- If appliance has been dropped, damaged, left outdoors, dropped into water, or is not working as it should, never attempt to operate it. Please have it repaired at an authorized service center.

Battery and Charging

- Do not use in extremely hot or cold environments (below 0°C / 32°F or above 40°C / 104°F). Please charge the appliance in temperature above 0°C / 32°F and below 40°C / 104°F).
- For the purpose of recharging the appliance, only use the charging base provided with this appliance. Use only with HCB3 charging base.
- A charging base that is suitable for one type of appliance may create a risk of fire when used with another one.
- Follow all charging instructions and do not charge the appliance outside of the temperature range specified in the battery as doing so increases the risk of fire.
- Charging base output terminals should not be short-circuited. Do not use it with a damaged charging base. If the appliance has been dropped, damaged, left outdoors, dropped into water, or is not working as it should, return it to a service center.
- Keep the charging base cable away from heated surfaces. Do not handle the charging base plug or appliance with wet hands. To unplug, grasp the charging base plug, rather than the cable.
- This appliance contains batteries that are non-replaceable.
- Charging base is equipped with drying function and only suitable for drying this appliance's brush.

SAVE THESE INSTRUCTIONS



class II equipment



time-lag miniature fuse-link where T 3.15A is the symbol for the time/current characteristic



detachable supply unit



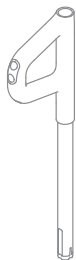
read operator's manual

We, Dreame Trading (Tianjin) Co., Ltd., hereby, declares that this equipment is in compliance with the applicable Directives and European Norms, and amendments. The full text of the EU declaration of conformity is available at the following internet address: <https://global.dreameotech.com>

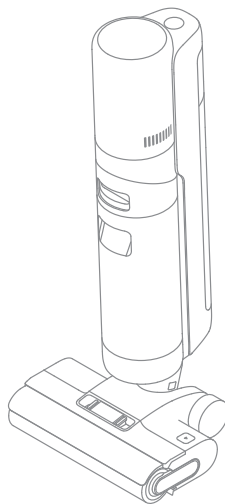
For detailed e-manual, please go to <https://global.dreameotech.com/pages/user-manuals-and-faqs>

Product Overview

Packing List



Handle



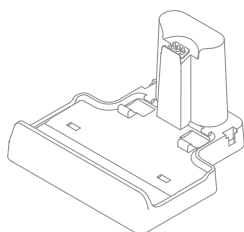
Main Body



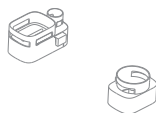
Replacement Filter



Cleaning Brush



Charging Base



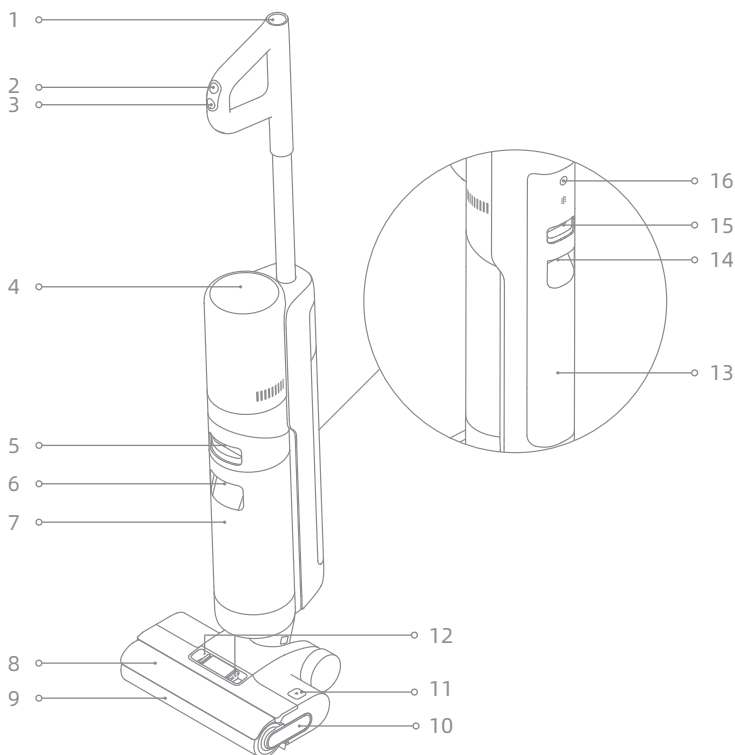
Storage Box



Spare Brush Roller

EN Product Overview

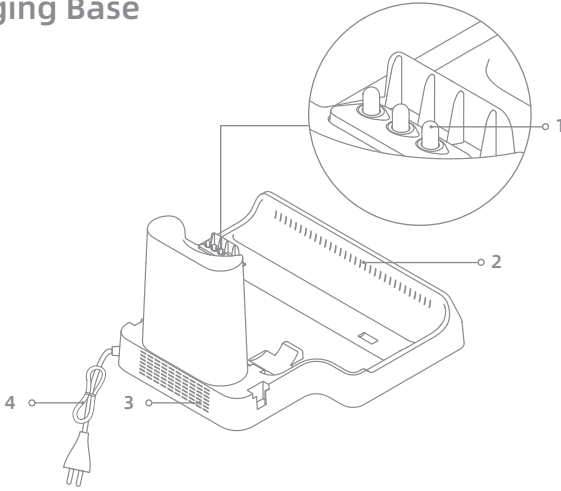
Wet and Dry Vacuum



- | | | | | | |
|---|--------------------------------|----|------------------------------------|--|---------------------------------|
| 1 | Self-Cleaning Button | 8 | Brush Roller Cover | 15 | Clean Water Tank Release Button |
| 2 | Mode Switch | 9 | Brush Roller | 16 | Voice Prompt Button |
| 3 | Power Switch | 10 | Brush Roller Handle | <ul style="list-style-type: none">• Press briefly to activate the voice prompt or adjust the volume.• Press and hold for 3 seconds to set the language. Press to switch between languages. Press and hold to confirm the selection. | |
| 4 | Display Screen | 11 | Brush Roller Release Button | | |
| 5 | Used Water Tank Release Button | 12 | Brush Roller Cover Release Buttons | | |
| 6 | Used Water Tank Handle | 13 | Clean Water Tank | | |
| 7 | Used Water Tank | 14 | Clean Water Tank Handle | | |

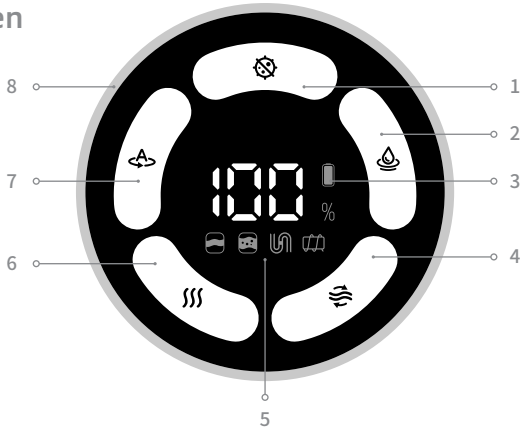
Product Overview

Charging Base



- 1 Charging Contacts
- 2 Air-Drying Outlet
- 3 Air-Drying Inlet
- 4 Power Cord

Display Screen



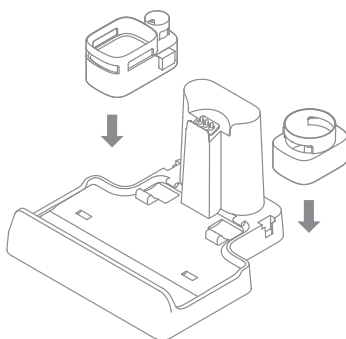
- | | | |
|----------------------------|---|---|
| 1 Ultra Mode | 5 Error Messages | 6 Drying Mode |
| 2 Suction Mode | Insufficient water in the Clean Water Tank | 7 Auto Mode |
| 3 Battery Status Indicator | Used Water Tank full | 8 Dirt Level Indicator |
| 4 Self-Cleaning | Blocked Tube | The color of the indicator changes in real time according to the amount of dirt |
| | Brush roller stuck / Brush roller not installed | |

Note: If the appliance is not working properly, the screen display will show an error message. Please refer to the troubleshooting table to find your solution.

Installation

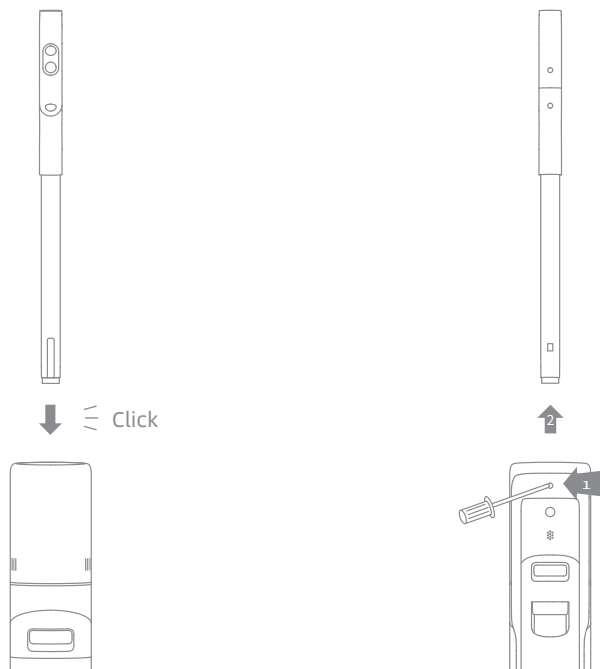
Storage Box Installation

Install the storage box onto the charging base as shown in the diagram.



Assembly and Disassembly of Handle

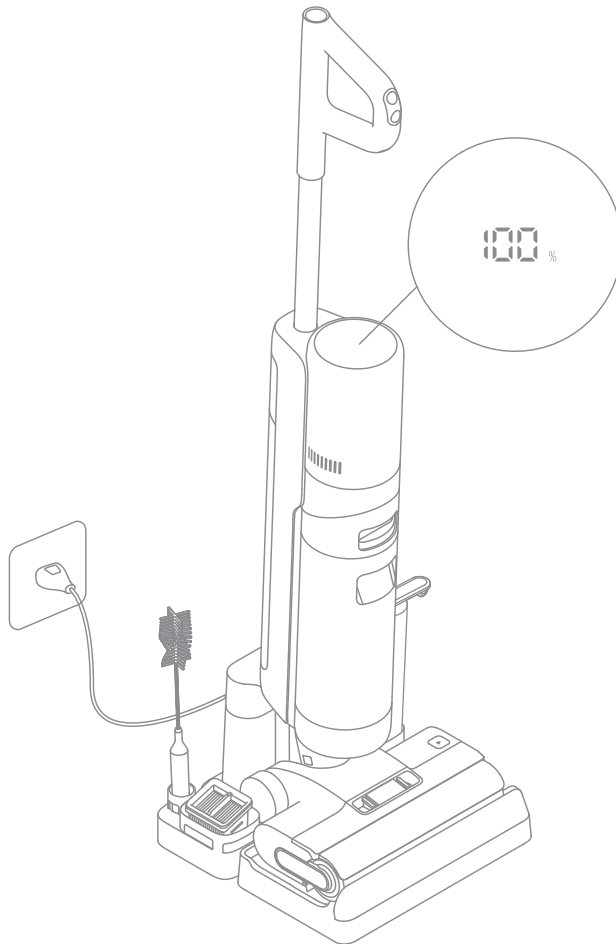
Insert the end of the handle vertically into the port on the top of the vacuum as indicated until you hear a click.



Note: To disassemble, press the contacts in the hole on the back of the appliance with the appropriate tool and pull the handle upwards at the same time.

Charging

1. Place the charging base against a wall on level ground and connect it to a power source. Fully charge the appliance before first use.
2. Place the appliance on the charging base. When the voice prompt "Charging Started" is displayed, the appliance activates the charging mode. When charging, the number on the display screen represents the current battery level as a percentage. When the number reaches 100, the battery is fully charged.



Note:

- If there is no operation within 10 minutes of being fully charged, the vacuum will enter sleep mode. Please restart the appliance if you need to use it.
- To extend the battery life time, the battery keeps cooling down for about one hour automatically after you have used the appliance for a long time.

Working Modes

The appliance will start in auto mode by default. You can switch to the suction mode or the Ultra Mode based on your needs.



Auto Mode

While cleaning the floor, the appliance will automatically adjust its suction power according to different situations.



Ultra Mode

Preparing Ultra Mode, please wait for 30 seconds. This mode is suitable for deep cleaning.

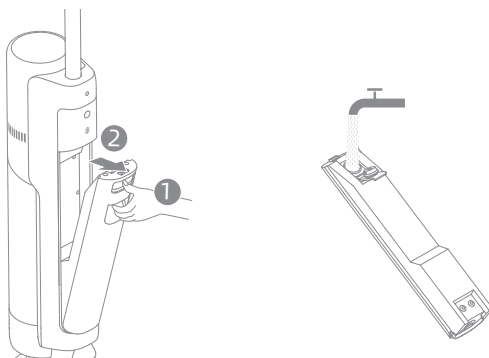


Suction Mode

If the suction mode is selected, the appliance will vacuum water only and the brush roller will not be dampened. No water is coming out of the Clean Water Tank.

Filling the Clean Water Tank



Press the Clean Water Tank release button and pull the tank outwards to remove it. Remove the cover of the Clean Water Tank and fill the tank with clean water. Install the Clean Water Tank and ensure it clicks into place.

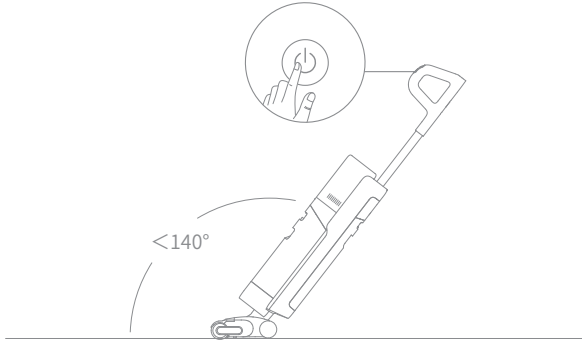


Note:

- For better cleaning performance, it is recommended to add 10ml detergent with the bottle cap into the full Clean Water Tank, then shake gently and evenly for use.
- Do not add any liquids other than the officially-approved cleaner. The cleaner can be available on the official online store.

Start Cleaning

Gently step on the brush cover and recline the appliance backwards. Press the power switch  to start operating. Press the  to switch among the auto mode - the ultra mode - the suction mode according to your needs.

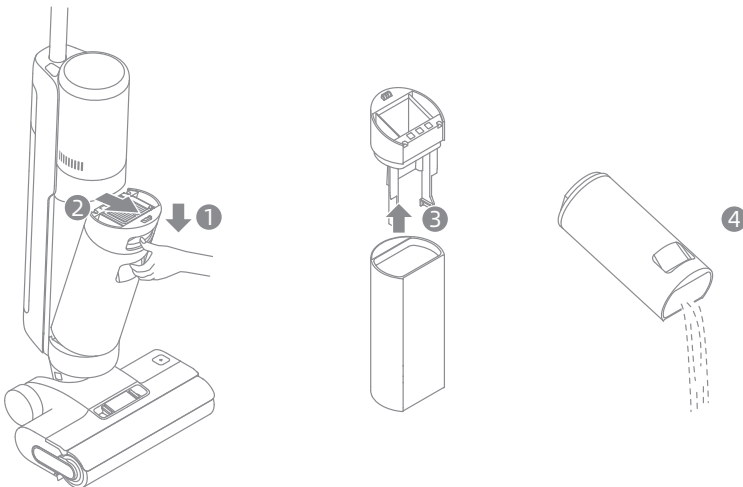


Note:

- Do not vacuum any foamy liquids.
- The appliance will be suspended in the upright position while running.
- The appliance is suitable for cleaning floors, marble, tiles and other hard surfaces.
- Do not recline the appliance backwards more than 140° to prevent the appliance from leaking water.
- When the appliance is in operation, do not lift it off the ground or lay it flat. Doing so may cause the used water to flow into the motor.


Cleaning the Used Water Tank

Press the Used Water Tank release button to take out the tank. Remove the tank cover and pour out the used water. Close the tank cover and re-install the tank before use.




How to Use

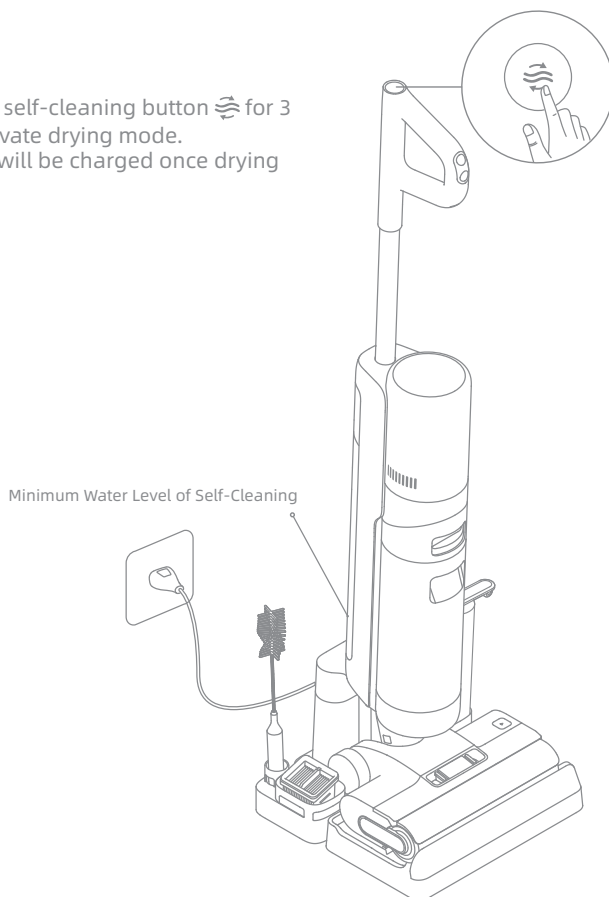
One-Press Self-Cleaning

1. Place the appliance back onto the base while you finish cleaning. Ensure that the water in the Clean Water Tank is sufficient for self-cleaning.
2. Briefly press the self-cleaning button on the top of the handle, the self-cleaning indicator will light up, and the appliance will start self-cleaning.
3. Please empty the Used Water Tank after self-cleaning is completed and drying mode has been engaged. Press the button  to exit the drying mode.

Note: The self-cleaning function can be enabled only when the appliance is being charged and the battery level is more than 15%.

Drying Mode

1. Press and hold self-cleaning button  for 3 seconds to activate drying mode.
2. The appliance will be charged once drying is completed.



Note:

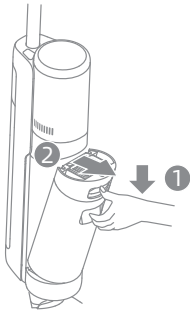
- After self-cleaning is complete, promptly clean the Used Water Tank. Clean the charging base if there are any stains left on the base.
- If cleaning the brush roller manually, please air-dry it thoroughly or dry it by using drying mode several times to ensure a good drying effect.

Tips:

- Turn off the appliance before maintenance. Do not touch the power switch.
- Replace parts if needed. The parts must be replaced by those available from the manufacturer or its service agent.
- If the vacuum is not used for an extended period, fully charge it, unplug the power plug, and store the vacuum in a cool, low-humidity environment away from direct sunlight. To avoid over-discharge of the battery, charge the vacuum at least once every 3 months.

Cleaning the Used Water Tank and the Filter

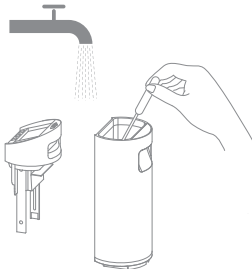
1. Press the Used Water Tank release button, and pull the Used Water Tank outwards to remove it.



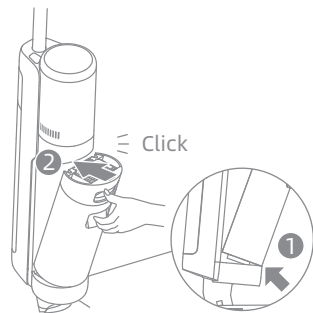
2. Take out the filter from the Used Water Tank cover. Remove the tank cover and empty the tank.



3. Rinse the Used Water Tank and the tank cover with clean water. Clean the tank by the provided cleaning brush.



4. Re-install the filter and the Used Water Tank cover. Then re-install the Used Water Tank until you hear a click.



Note:

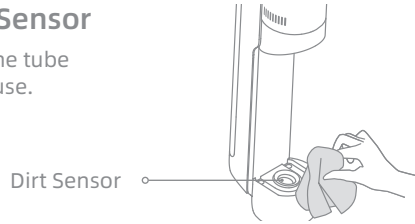
- If the filter is dirty, rinse it with clean water and dry it completely before use.
- Replacing the filter every 3 to 6 months is recommended.

Care & Maintenance

Cleaning the Tube and the Dirt Sensor

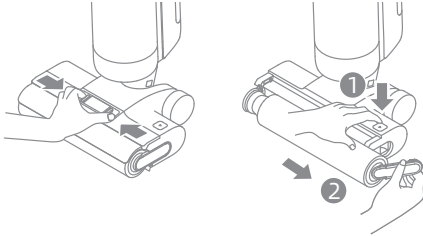
Remove the Used Water Tank, gently wipe the tube and the dirt sensor with a wet cloth before use.

Note: Do not rinse the tube or the dirt sensor.

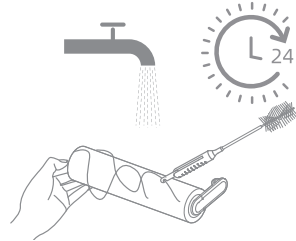


Cleaning the Brush Assembly

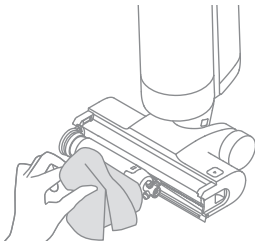
1. First, press the brush roller cover release buttons inwards on both sides to remove the brush roller cover. Press the brush roller release button, and the brush roller handle will pop out. Pull it to take out the brush roller.



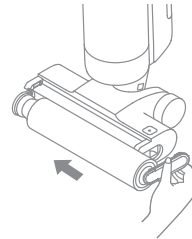
2. Clear the hair and debris tangled on the brush roller with the provided cleaning brush. Rinse the brush roller with clean water. Air dry the brush roller thoroughly, or dry it by activating the drying mode several times.



3. Wipe the suction inlet with a dry cloth or wet tissue. Do not rinse the brush assembly with water.



4. Re-install the brush roller and the brush roller cover until you hear a click.



Note:

- Clean as needed. Alternating use of the two provided brush rollers is recommended.
- Replacing the brush roller every 3 to 6 months is recommended.

If an error occurs, the appliance will stop working. Please refer to the following table for troubleshooting. If the problem persists, please contact customer service.





Error	Possible Cause	Solution
The appliance does not work	The appliance is out of battery or its battery level is low	Fully charge its battery before use
	The appliance is in the upright position	Recline the appliance backwards
	Blockage activated overheat protection mode	Clear the blockage and wait until the temperature returns normal
	The Used Water Tank is full	Empty the Used Water Tank
	The handle, brush roller, or Used Water Tank is not properly installed	Ensure the handle, brush roller, or Used Water Tank are all properly in place
The appliance charges slowly	The temperature of the battery is too low or too high	Wait until the battery's temperature returns normal
The suction power of the appliance is weak	The filter is clogged	Cleaning the filter
	The suction inlet or tube is blocked by a foreign object	Clean the tube and the suction inlet
The motor is making a strange noise	There is too much used water in the Used Water Tank	Empty the Used Water Tank
	The suction inlet is blocked	Clear any blockage in the suction inlet
The dirt level indicator is solid red	The dirt sensor needs cleaning	The dirt sensor is in the tube. Follow tube cleaning instructions
	The cleaning solution concentration is too high	Dilute the cleaning solution with water at the recommended ratio
	A third-party cleaning solution caused a large amount of foam	Use only the officially-approved cleaning solution
The display screen does not light up while charging	The charging base cable is not plugged into the electrical outlet	Make sure the charging base cable is plugged in
	The appliance is not placed onto the charging base properly	Make sure the appliance is placed onto the charging base properly

No water is coming out of the appliance	The Clean Water Tank is not properly installed in place, or the water in the Clean Water Tank is insufficient	Re-install or fill the Clean Water Tank
	It takes 30 second to dampen the brush roller	Turn on the appliance and check again in 30 seconds
The vent leaks water	A collision or a sharp pull causes water to enter the motor	Move the appliance gently back and forth while it is turned on
	The filter is not completely dry after being cleaned	Dry the filter completely before use
Self-cleaning fails	The brush roller may be jammed by large debris	Open the brush roller cover to check and clean the brush roller
	The appliance is not placed onto the charging base properly	Make sure the appliance is being charged before self-cleaning
	Self-cleaning cannot be enabled if the battery level is lower than 15%	The self-cleaning function can only be enabled when the appliance is being charged and the battery level is more than 15%
	The Used Water Tank is not installed in place, or the Used Water Tank is full	Re-install or empty the Used Water Tank
	The Clean Water Tank is not installed in place, or the water in the Clean Water Tank is insufficient	Re-install or fill the Clean Water Tank
Poor drying performance or strange noise while drying	The air outlet and air inlet of the charging base may be blocked	Check and clear the blockage of air outlet and air inlet

For additional services, please contact us via aftersales@dreame.tech
 Website: <https://global.dreametech.com>

Troubleshooting

If the appliance is not working properly, the screen display will show an error message. Please refer to the troubleshooting table to find your solution.

Error Icon	Possible Cause	Solution
	Insufficient water in the Clean Water Tank	Fill the Clean Water Tank
	The Used Water Tank is full	Empty the Used Water Tank
	Brush roller stuck	Clean the brush roller with the provided cleaning brush
	Brush roller not installed	Install the brush roller
	Blocked tube	Check whether the tube is clogged / Alternatively, clean the tube and the dirt sensor

Troubleshooting Code	Possible Cause	Solution
E1-E7	Error	Restart the appliance for troubleshooting. If the problem persists, please contact customer service
H1-H6		
H7	Battery overheating	Wait until the battery's temperature returns normal

EN Specifications

Wet and Dry Vacuum			
Model	HHR25A	Charging Time	approx. 4.5 hours (including drying)
		Drying time	1 hour
Rated Voltage	21.6 V \approx	Charging Voltage	27 V \approx
Rated Power	300 W	Used Water Tank Capacity	700 mL
		Clean Water Tank Capacity	900 mL
Charging Base			
Model	HCB3		
Rated Input	220-240 V~50/60 Hz 150 W	Rated Output	27V \approx 1.6 A

The rated power of the charging base is the power when the drying function and the charging function are turned on at the same time.

Battery Disposal and Removal

The built-in lithium-ion battery contains substances that are hazardous to the environment. Before disposing of the battery, make sure the battery is removed by qualified technicians and discarded at an appropriate recycling facility.

- the battery must be removed from the appliance before it is scrapped;
- the appliance must be disconnected from the supply mains when removing the battery;
- the battery is to be disposed of safely.

Removal Guide

1. Remove the display screen by rotating it with a tool.
2. Remove the screws on the battery cover in turn and then pry open the cover with proper tools.
3. Unplug the terminals between the battery and PCB board to remove the battery.

CAUTION:

- Before removing the battery, disconnect the power and run out the battery as much as possible.
- Unneeded batteries should be discarded at an appropriate recycling facility.
- Do not expose to high temperature environment to avoid risks of explosion.
- Under abusive conditions, liquid may be ejected from the battery. If contact occurs, flush with water and seek medical help.

WEEE Information



All products bearing this symbol are waste electrical and electronic equipment (WEEE as in directive 2012/19/EU) which should not be mixed with unsorted household waste. Instead, you should protect human health and the environment by handing over your waste equipment to a designated collection point for the recycling of waste electrical and electronic equipment, appointed by the government or local authorities. Correct disposal and recycling will help prevent potential negative consequences to the environment and human health. Please contact the installer or local authorities for more information about the location as well as terms and conditions of such collection points.

Sicherheitsinformationen

Wichtige Sicherheitshinweise Nur für den Hausgebrauch

- Bitte lesen Sie dieses Handbuch vor der Verwendung sorgfältig durch und bewahren Sie es zum späteren Nachschlagen auf.
- Bei der Verwendung eines elektrischen Geräts sollten immer grundlegende Vorsichtsmaßnahmen beachtet werden, einschließlich der folgenden:
- **LESEN SIE ALLE ANWEISUNGEN, BEVOR SIE DIESES GERÄT VERWENDEN.** Die Nichtbeachtung der Warnhinweise und Anweisungen kann zu einem elektrischen Schlag, Brand und/oder schweren Verletzungen führen.

WARNUNG- Um die Gefahr von Bränden, Stromschlägen oder Verletzungen zu verringern:

- Verwenden Sie das Gerät nur wie in dieser Bedienungsanleitung beschrieben. Verwenden Sie nur das vom Hersteller empfohlenen Zubehör.
- Verwenden Sie das Gerät nur in Innenräumen, auf nicht mit Teppichboden versehenen Böden wie Vinyl, Fliesen, versiegeltem Holz usw. Achten Sie darauf, nicht über lose Gegenstände oder Kanten von Teppichen zu fahren. Ein Abwürgen der Bürste kann zu einem vorzeitigen Ausfall des Riemens führen.
- Um einen sicheren Betrieb zu gewährleisten und Risiken zu vermeiden, darf dieses Produkt nicht von Kindern unter 8 Jahren, von Personen mit körperlichen, sensorischen oder geistigen Einschränkungen oder von Personen mit mangelnden Kenntnissen ohne Aufsicht eines Elternteils oder Vormunds verwendet werden. Kinder dürfen die Reinigung und Wartung nicht ohne Aufsicht durchführen.
- Verwenden Sie keine brennbare oder leicht entzündliche Flüssigkeit, um Böden zu reinigen.
- Dieses Gerät darf nicht verwendet, um brennbare oder leicht entzündliche Flüssigkeiten wie Benzin aufzunehmen. Dieses Gerät darf nicht in Bereichen verwendet werden, in denen brennbare oder leicht entzündliche Flüssigkeiten vorhanden sein können.
- Tauchen Sie das Gerät nicht in Flüssigkeit.
- Kunststoffolie kann gefährlich sein. Um die Gefahr des Erstickens zu vermeiden, halten Sie sie von Kindern fern.
- Halten Sie Haare, lose Kleidung, Finger und alle Körperteile von den Öffnungen und beweglichen Teilen des Geräts und seines Zubehörs fern.
- Verwenden Sie nur offiziell zugelassene Bodenreinigungsmittel, wie in der Bedienungsanleitung beschrieben.
- Setzen Sie kein Objekt in die Öffnungen. Verwenden Sie das Gerät nicht, wenn die Öffnung blockiert ist. Halten Sie sich frei von Staub, Fusseln, Haaren und allem, was den Luftstrom behindern kann.
- Verwenden Sie es nicht ohne eingesetzte Filter.
- Verwenden Sie das Gerät nicht mit einem beschädigten Aufsatz, z. B. Ladekabel usw. Wenn der Aufsatz beschädigt ist, muss es vom Hersteller, seinem Servicepartner oder ähnlichen qualifizierten Personen ersetzt werden, um Gefahren zu vermeiden.
- Halten Sie Erdungskabel vom Gerät fern, da eine Gefahr auftreten kann, wenn das Gerät in Betrieb über ein Netzkabel läuft.

- Nehmen Sie kein giftiges Material auf (Chlorbleiche, Ammoniak, Abflussreiniger usw.). Heben Sie keine harten oder scharfen Gegenstände wie Glas, Nägel, Schrauben, Münzen usw. auf.
- Verwenden Sie das Gerät nicht in einem geschlossenen Raum, der mit Dämpfen gefüllt ist, die von ölhaltigen Farben, Farbverdünnern, einigen Mottenschutzmitteln, brennbarem Staub oder anderen explosiven oder giftigen Dämpfen abgegeben werden. Nehmen Sie keine brennenden oder rauchenden Gegenstände auf, wie z. B. Zigaretten, Streichhölzer oder heiße Asche.
- Ziehen oder tragen Sie Ladestaion nicht per Kabel, wobei Sie Kabel als Griff verwenden, Tür am Kabel schließen oder Kabel um scharfe Kanten oder Ecken ziehen.
- Schalten Sie das Gerät bei Nichtgebrauch vor dem Reinigen, Warten aus, oder bevor Sie es mit einer beweglichen Bürste anschließen oder trennen.
- Verwenden Sie kein Gerät, das beschädigt oder modifiziert ist. Beschädigte oder modifizierte Batterien können ein unvorhersehbares Verhalten zeigen, was zu Feuer, Explosion oder Verletzungsgefahr führen kann.
- Setzen Sie das Gerät keinem Feuer oder übermäßigen Temperaturen aus. Die Exposition gegenüber Feuer oder übermäßige Temperatur kann eine Explosion verursachen.
- Stellen Sie sicher, dass das Gerät auf einer horizontalen Fläche steht. Verwenden Sie das Gerät nicht an der gleichen Stelle, wenn das Gerät mit einer Walzenbürste ausgestattet ist und der Griff nicht vollständig aufrecht steht. Lagern Sie das Gerät nicht an einem Ort, an dem es einfrieren kann.
- Gehen Sie bei der Reinigung auf Treppen besonders vorsichtig vor.
- Verhindern Sie ein unbeabsichtigtes Starten. Vergewissern Sie sich, dass der Schalter in der AUS-Stellung ist, bevor Sie das Gerät in die Hand nehmen oder tragen. Das Tragen des Geräts mit dem Finger auf dem Schalter oder auf dem stromführenden Gerät, das den Schalter eingeschaltet hat, trägt zu Unfällen bei.
- Lassen Sie die Wartung von einer qualifizierten Reparaturkraft durchführen, die nur identische Ersatzteile verwendet. Dadurch wird sichergestellt, dass die Sicherheit des Produkts erhalten bleibt.
- Verändern Sie das Gerät nicht und versuchen Sie nicht, es zu reparieren, es sei denn, dies ist in der Gebrauchs- und Pflegeanleitung angegeben.
- Wenn das Gerät heruntergefallen ist, beschädigt wurde, im Freien abgestellt wurde, ins Wasser gefallen ist oder nicht ordnungsgemäß funktioniert, versuchen Sie niemals, es zu bedienen. Bitte lassen Sie es von einem autorisierten Servicecenter reparieren.

Sicherheitsinformationen

Akkus und Ladung

- Nicht in extrem heißen oder kalten Umgebungen verwenden (unter 0°C /32°F oder über 40°C /104°F). Bitte laden Sie das Gerät bei Temperaturen über 0 /32°F und unter 40 /104°F) auf.
- Zum Aufladen des Gerätes nur die mitgelieferte Ladestation verwenden. Nur mit HCB3-Ladestation verwenden.
- Eine Ladestation, die für einen Gerätetyp geeignet ist, kann bei Verwendung mit einem anderen Gerät Brandgefahr verursachen.
- Befolgen Sie alle Ladeanweisungen und laden Sie das Gerät nicht außerhalb des in der Batterie angegebenen Temperaturbereichs auf, da dies die Brandgefahr erhöht.
- Die Ausgangsanschlüsse der Ladestation sollten nicht kurzgeschlossen werden. Verwenden Sie sie nicht mit beschädigter Ladestation. Wenn das Gerät fallengelassen, beschädigt, im Freien gelassen, ins Wasser geworfen wurde oder nicht wie vorgesehen funktioniert, geben Sie es an ein Servicecenter zurück.
- Halten Sie die Ladestation von beheizten Oberflächen fern. Fassen Sie den Stecker der Ladestation oder das Gerät nicht mit nassen Händen. Um den Netzstecker zu ziehen, greifen Sie nach dem Stecker der Ladestation und nicht nach dem Kabel.
- Dieses Gerät enthält Batterien, die nicht austauschbar sind.

DIESE ANWEISUNGEN SICHERN



Gerät der Klasse II

T 3,15A



Zeitverzögerung Miniatur Sicherungseinsatz
wobei T 3,15A das Symbol für die Zeit/Strom-Kennlinien ist



abnehmbare Versorgungseinheit



Bedienungsanleitung lesen

Wir, Dreame Trading (Tianjin) Co., Ltd., bestätigen hiermit, dass dieses Gerät mit geltenden Verordnungen und europäischen Normen sowie etwaigen Ergänzungen in Einklang steht. Der vollständige Wortlaut der EU-Konformitätserklärung ist unter der folgenden Internetadresse abrufbar: <https://global.dreametech.com>

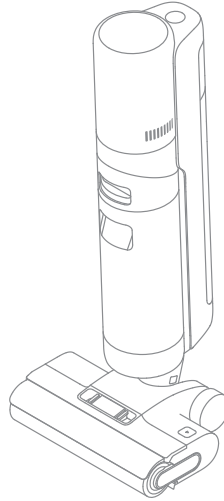
Ein detailliertes elektronisches Handbuch finden Sie unter <https://global.dreametech.com/pages/user-manuals-and-faqs>

Produktübersicht

Packliste



Handgriff



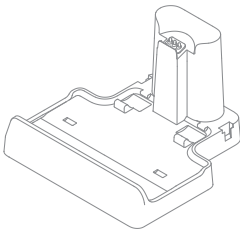
Hauptkörper



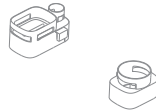
Ersatzfilter



Reinigungsbürste



Ladestation

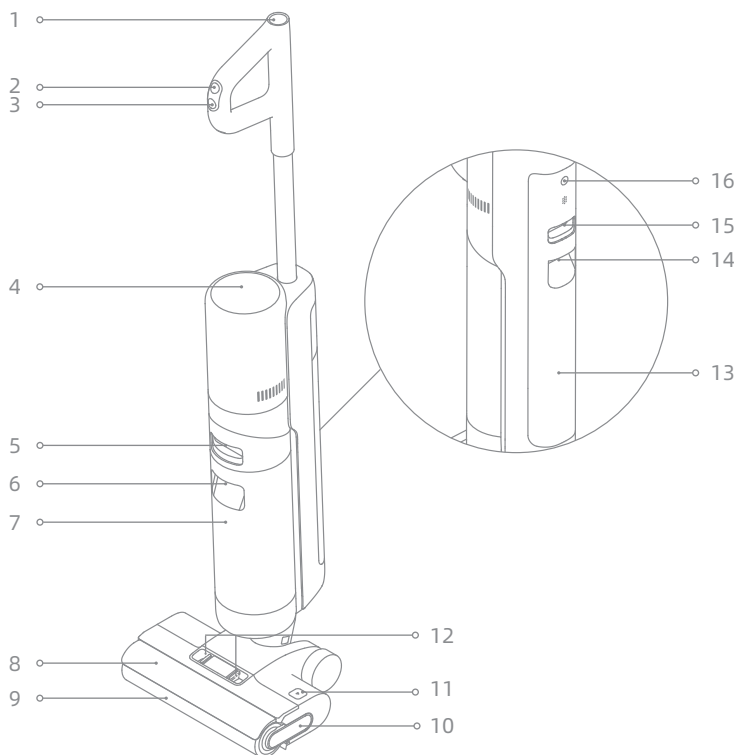


Aufbewahrungsbox



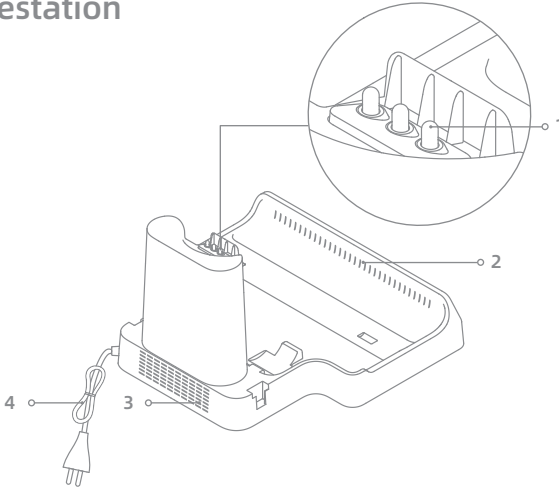
Ersatzwalzenbürste

Nass-Trockensauger



- | | | |
|--|---|--|
| 1 Selbstreinigungstaste | 8 Bürstenrolleabdeckung | 15 Entriegelungstaste für den Reinwassertank |
| 2 Modusschalter | 9 Rolle Bürste | 16 Taste für die Sprachansage |
| 3 Netzschalter | 10 Bürstenrollengriff | <ul style="list-style-type: none"> • Kurz drücken, um die Sprachansage zu aktivieren oder die Lautstärke einzustellen • 3 Sekunden lang gedrückt halten, um auf die Spracheinstellungen zuzugreifen. Drücken, um zwischen den Sprachen zu wechseln. Gedrückt halten, um die Auswahl zu bestätigen. |
| 4 Bildschirm | 11 Entriegelungstaste für Bürstenrolle | |
| 5 Entriegelungstaste für Schmutzwassertank | 12 Entriegelungstaste für Bürstenrolleabdeckung | |
| 6 Griff für Schmutzwassertank | 13 Reinwassertank | |
| 7 Schmutzwassertank | 14 Griff für den Reinwassertank | |

Ladestation



- 1 Ladkontakte
- 2 Trocknungsluftauslaß
- 3 Trocknungslufteinlaß
- 4 Netzkabel

Bildschirm



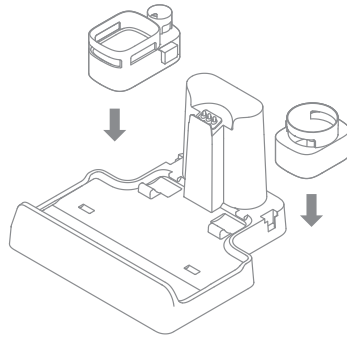
- | | | |
|----------------------|--|--|
| 1 Ultra-Modus | 5 Fehlermeldungen | 6 Trocknungsmodus |
| 2 Saugmodus | Zu wenig Wasser im Reinwassertank | 7 Auto-Modus |
| 3 Akkustatus-Anzeige | Der Schmutzwassertank ist voll | 8 Indikator der Schmutzkonzentration
Die Farbe verändert sich mit dem Staubgehalt in Echtzeit |
| 4 Selbstreinigung | Blockierte Röhre | |
| | Die Bürstenrolle gesteckt/
Die Bürstenrolle nicht installiert | |

Hinweis: Wenn das Gerät nicht ordnungsgemäß funktioniert, wird auf dem Bildschirm eine Fehlermeldung angezeigt. Bitte beachten Sie die Tabelle zur Fehlerbehebung, um Ihre Lösung zu finden.

Installation

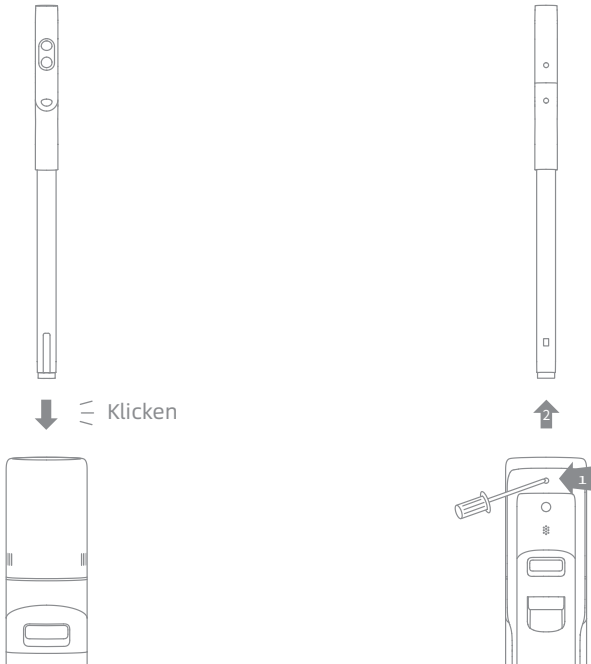
Aufbewahrungsbox Installation

Installieren Sie die Aufbewahrungsbox wie im Diagramm gezeigt auf der Ladestation.



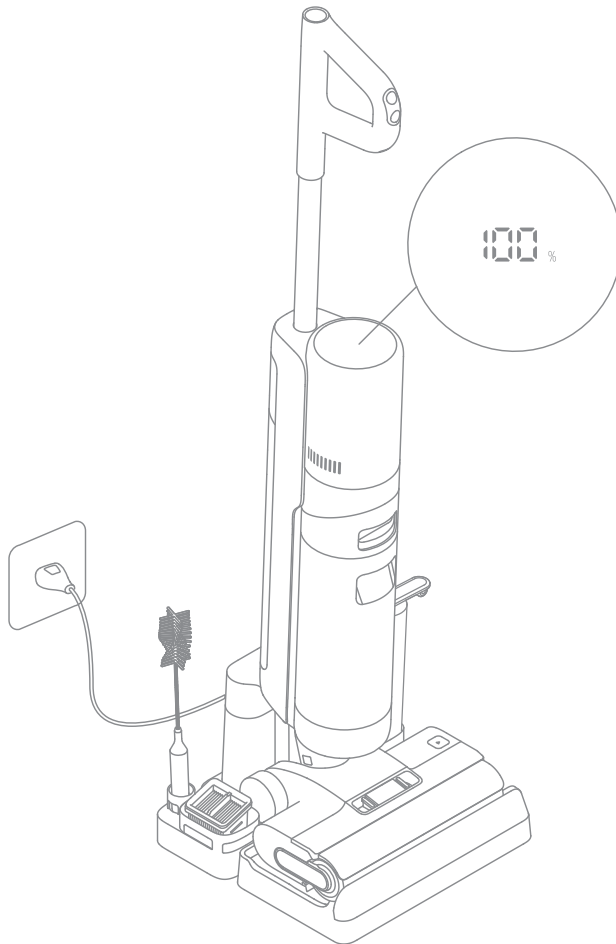
Montage und Demontage des Griffs

Fügen Sie das Ende der Griffbaugruppe senkrecht in die Öffnung auf der Oberseite des Geräts ein, wie angegeben, Sie werden ein Einrasten spüren.



Hinweis: Um den Griff zu demontieren, verwenden Sie bitte einen harten Gegenstand, um in das Loch auf der Rückseite des Geräts zu greifen, um den Kontakt zu drücken, und ziehen Sie gleichzeitig den Griff nach oben.

1. Stellen Sie die Ladestation gegen eine Wand auf dem Boden und schließen Sie sie an eine Stromquelle an. Laden Sie das Gerät vor dem ersten Gebrauch vollständig auf.
2. Stellen Sie das Gerät auf die Ladestation. Wenn die Sprachansage "Ladevorgang starten" angezeigt wird, aktiviert das Gerät den Lademodus. Beim Laden stellt die Nummer auf dem Display den aktuellen Batteriestand in Prozent dar. Wenn die Zahl 100 erreicht, ist der Akku vollständig aufgeladen.



Hinweis:

- Wenn innerhalb von 10 Minuten nach dem vollständigen Aufladen kein Betrieb erfolgt, wechselt das Vakuum in den Schlafmodus. Bitte starten Sie das Gerät neu, wenn Sie es verwenden müssen.
- Um die Akkulaufzeit zu verlängern, kühlt der Akku nach längerer Benutzung des Gerätes automatisch etwa eine Stunde lang ab.

Verwendung

Betriebsmodus

Das Gerät startet standardmäßig im Auto-Modus. Sie können je nach Bedarf in den Saugmodus oder den Ultra-Modus wechseln.



Auto-Modus

Während des Bodenwaschens kann das Gerät seine Saugleistung an verschiedene Situationen anpassen.



Ultra-Modus

Bereitet sich auf Ultra-Modus vor, bitte warten Sie 30 Sekunden. Dieser Modus ist für eine gründliche Reinigung geeignet.

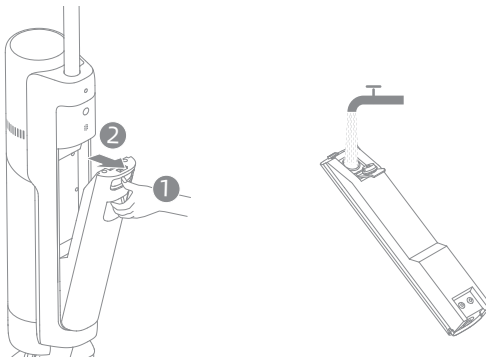


Saugmodus

Wenn der Saugmodus ausgewählt ist, saugt das Gerät nur Wasser und die Bürstenrolle wird nicht befeuchtet. Es kommt kein Wasser aus dem Reinwassertank.

Reinwassertank befüllen



Drücken Sie die Eentriegelungstaste, um den Tank zu entfernen. Öffnen Sie den Tankdeckel und füllen Sie den Tank mit sauberem Wasser. Installieren Sie den Reinwassertank erneut und stellen Sie sicher, dass er einrastet.

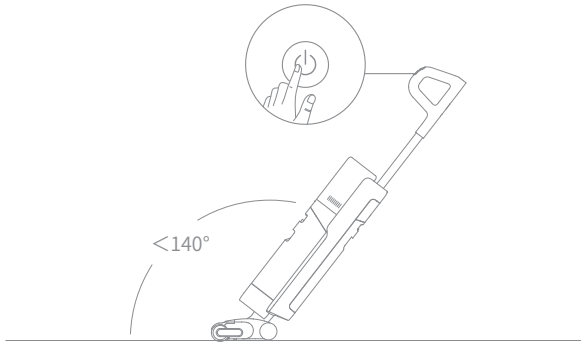


Hinweis:

- Für eine bessere Reinigungsleistung wird empfohlen, 10 ml Reinigungsmittel mit dem Flaschenverschluss in den vollen Reinwassertank zu geben und dann sanft und gleichmäßig für die Verwendung zu schütteln.
- Keine anderen Flüssigkeiten als den offiziell zugelassenen Reinigungsmittel hinzufügen. Die Reinigungsmittel kann im offiziellen Online-Shop erhältlich sein.

Reinigung beginnen

Treten Sie vorsichtig auf die Bürstenabdeckung und stellen Sie das Gerät nach hinten. Drücken Sie den Netzschalter , um zu starten. Drücken Sie , um zwischen dem Auto-Modus - dem Ultra-Modus - dem Saugmodus je nach Bedarf zu wechseln.

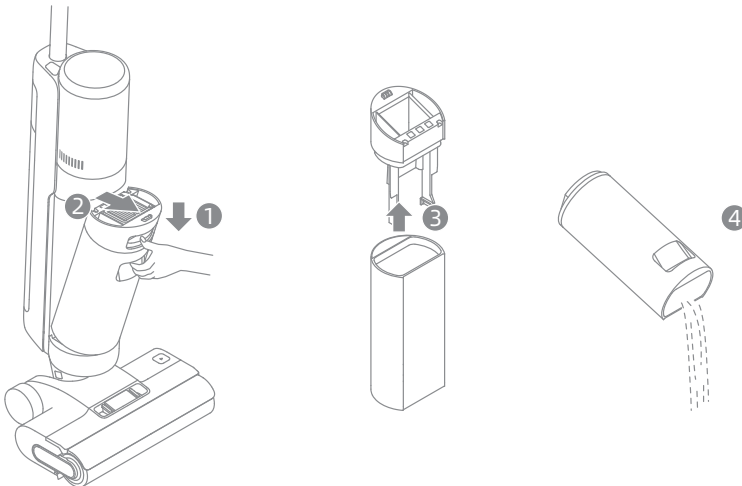


Hinweis:

- Verwenden Sie es nicht, um schäumende Flüssigkeiten zu saugen.
- Wenn sich das Gerät während der Arbeit in aufrechter Position befindet, wird die aktuelle Aufgabe unterbrochen.
- Das Gerät eignet sich zur Reinigung von Böden, Marmor, Fliesen und anderen harten Oberflächen.
- Stellen Sie das Gerät nicht mehr als 140° nach hinten, um zu verhindern, dass Wasser austritt.
- Wenn das Gerät in Betrieb ist, heben Sie es nicht vom Boden ab. Außerdem sind das Bewegen, das Kippen und Flachlegen verboten. Dies kann dazu führen, dass das verbrauchte Wasser in den Motor fließt.


Leeren Sie den Schmutzwassertank

Drücken Sie die Schmutzwassertank-Entriegelungstaste, um den Tank herauszunehmen. Entfernen Sie den Tankdeckel und gießen Sie das Schmutzwasser aus. Schließen Sie den Tankdeckel und setzen Sie den Tank vor Gebrauch wieder ein.




Verwendung

Selbstreinigung mit einem Tastendruck

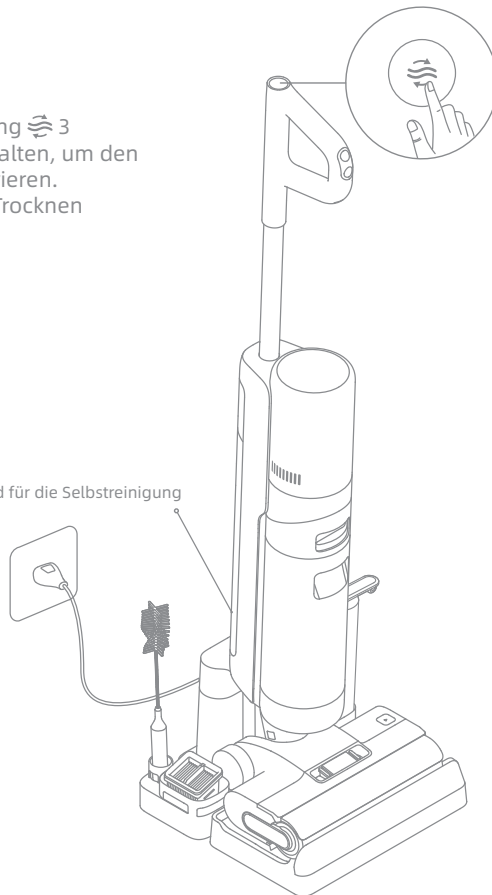
1. Nachdem das Gerät die Reinigungsaufgabe abgeschlossen hat, stellen Sie es wieder auf den Boden und stellen Sie sicher, dass das Wasser im Reinwassertank für die Selbstreinigung ausreicht.
2. Drücken Sie kurz den selbstreinigenden Knopf oben am Griff. Die Selbstreinigungsanzeige leuchtet auf und das Gerät beginnt mit der Selbstreinigung.
3. Bitte leeren Sie den Schmutzwassertank, nachdem die Selbstreinigung abgeschlossen ist und der Trocknungsmodus aktiviert wurde. Drücken Sie die Taste , um den Trocknungsmodus zu beenden.

Hinweis: Die Selbstreinigungsfunktion kann nur aktiviert werden, wenn das Gerät beim aufladen ist und der Batteriestand mehr als 15% beträgt.

Trocknungsmodus

1. Die Taste für Selbstreinigung  3 Sekunden lang gedrückt halten, um den Trocknungsmodus zu aktivieren.
2. Das Gerät wird nach dem Trocknen aufgeladen.

Minimaler Wasserstand für die Selbstreinigung



Hinweis:

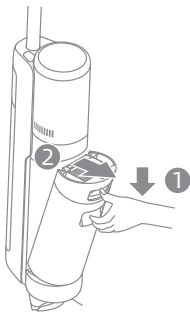
- Nachdem die Selbstreinigung abgeschlossen ist, reinigen Sie sofort den Schmutzwassertank. Reinigen Sie die Ladestation, wenn Flecken auf der Basis verbleiben.
- Wenn Sie die Bürstenrolle manuell reinigen, trocknen Sie sie bitte gründlich an der Luft oder trocknen Sie sie im Trocknungsmodus mehrmals, um eine gute Trocknungswirkung zu gewährleisten.

Tipps:

- Schalten Sie das Gerät vor der Wartung aus. Berühren Sie den Netzschalter nicht.
- Teile müssen bei Bedarf ausgetauscht werden, bitte verwenden Sie die vom Originalwerk vorgesehenen Teile, um Schäden am Produkt aufgrund von Ungeeignetheit zu vermeiden.
- Wenn das Gerät längere Zeit nicht verwendet wird, laden Sie es vollständig auf, ziehen Sie den Netzstecker ab und lagern Sie das Gerät in einer kühlen Umgebung mit geringer Luftfeuchtigkeit, fern von direkter Sonneneinstrahlung. Um das übermäßige Entladen des Akkus zu vermeiden, laden Sie das Gerät mindestens alle 3 Monate auf.

Den Schmutzwassertank und Filter reinigen

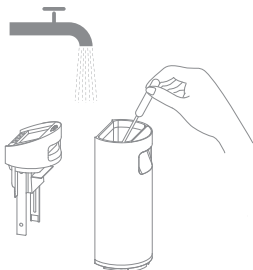
1. Drücken Sie die Schmutzwassertank-Entriegelungstaste und nehmen Sie den Schmutzwassertank heraus.



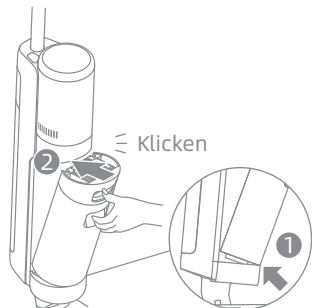
2. Nehmen Sie den Filter aus dem Deckel des Schmutzwassertanks heraus. Entfernen Sie den Tankdeckel und gießen Sie das Schmutzwasser aus.



3. Den Schmutzwassertank und dessen Abdeckung mit sauberem Wasser abspülen. Innenwand des Tanks mit der mitgelieferten Reinigungsbürste reinigen.



4. Schließen Sie den Abdeckel des Schmutzwassertanks, installieren Sie Schmutzwassertank erneut und stellen Sie sicher, dass der Tank einrastet.



Hinweis:

- Wenn der Filter verschmutzt ist, spülen Sie ihn mit sauberem Wasser ab und trocknen Sie ihn vor dem Gebrauch vollständig.
- Es wird empfohlen, den Filter alle 3 bis 6 Monate zu ersetzen.

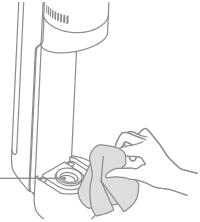
Pflege und Wartung

Reinigung des Rohres und des Schmutzsensors

Entfernen Sie den Schmutzwassertank, wischen Sie das Rohr und den Schmutzsensor vor Gebrauch mit einem feuchten Tuch ab.

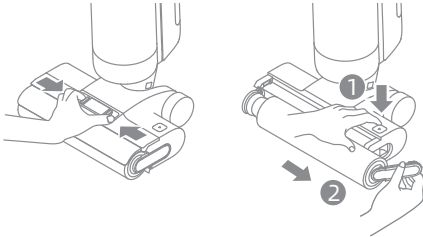
Hinweis: Spülen Sie den Schlauch oder den Schmutzsensor nicht aus.

Schmutzsensor

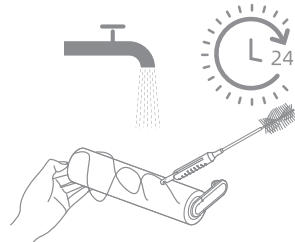


Reinigung der Bürstenrolle-Aufsätze

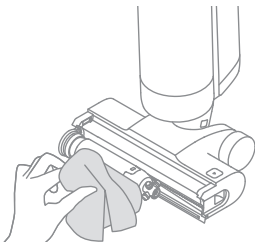
1. Drücken Sie zuerst die Entriegelungstaste der Bürstenrolleabdeckung auf beiden Seiten nach innen, um die Deckel zu entfernen. Drücken Sie anschließend die Entriegelungstaste der Bürstenrolle, und der Griff der Bürstenrolle springt heraus. Ziehen Sie den Griff, um die Bürstenrolle herauszunehmen.



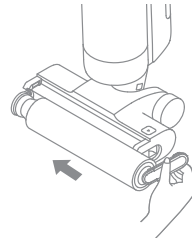
2. Entfernen Sie die Haare und Schmutz auf der Bürstenrolle mit der mitgelieferten Reinigungsbürste. Spülen Sie die Bürstenrolle mit sauberem Wasser. Trocknen Sie die Bürstenrolle gründlich an der Luft oder trocknen Sie sie, indem Sie den Trocknungsmodus mehrmals aktivieren.



3. Wischen Sie die Saugöffnung mit einem trockenen Tuch oder nassem Gewebe ab. Spülen Sie die Bürsten-Aufsätze nicht mit Wasser ab.



4. Nach dem Reinigen der Bürstenrolle installieren Sie wieder die Bürstenrolle und die Bürstenrolleabdeckung. Sie hören einen Klick, wobei es richtig installiert wird.



Hinweis:

- Nach Bedarf reinigen. Es wird empfohlen, die beiden mitgelieferten Bürstenrollen abwechselnd zu verwenden.
- Es wird empfohlen, die Bürstenrolle alle 3 bis 6 Monate auszutauschen.

Häufig gestellte Fragen

Wenn ein Fehler auftritt, wird das Gerät nicht mehr funktionieren. Bitte beachten Sie die folgende Tabelle zur Fehlerbehebung. Wenn das Problem weiterhin besteht, wenden Sie sich bitte an den Kundendienst.

Fehler	Mögliche Ursache	Lösungen
Das Gerät funktioniert nicht	Der Akku des Geräts ist leer oder der Akkustand ist niedrig	Laden Sie den Akku vor dem Gebrauch vollständig auf
	Das Gerät befindet sich in der aufrechten Position	Stellen Sie das Gerät nach hinten
	Blockierung aktiviert Überhitzungsschutz Modus	Beseitigen Sie die Verstopfung und warten Sie, bis die Temperatur wieder normal ist
	Der Schmutzwassertank ist voll	Den Schmutzwassertank leeren
	Der Griff, Bürstenrolle oder Schmutzwassertank ist nicht richtig installiert	Stellen Sie sicher, dass der Griff, die Bürstenrolle oder der Schmutzwassertank richtig angebracht sind
Das Gerät wird langsam aufgeladen	Die Temperatur des Akkus ist zu niedrig oder zu hoch	Warten Sie, bis die Batterietemperatur wieder normal ist
Die Saugleistung des Gerätes ist niedrig	Der Filter ist verstopft	Den Filter reinigen
	Der Saugeinlass oder das Rohr wird durch einen Fremdkörper blockiert	Reinigen Sie das Rohr und die Saugöffnung
Der Motor macht ein seltsames Geräusch	Es gibt zu viel Schmutzwasser im Schmutzwassertank	Leeren Sie den Schmutzwassertank
	Die Hauptsaugöffnung ist blockiert	Beseitigen Sie eventuelle Verstopfungen in der Hauptsaugöffnung
Der Indikator der Schmutzkonzentration ist rot	Der Schmutzsensormuss gereinigt werden	Der Schmutzsensorm befindet sich im Schlauch
	Die Konzentration der Reinigungsmittel ist zu hoch	Verdünnen Sie die Reinigungsmittel mit Wasser im empfohlenen Verhältnis
	Eine Reinigungsmittel von Drittanbietern verursachte eine große Menge Schaum	Verwenden Sie nur die offiziell zugelassenen Reinigungsmittel





Häufig gestellte Fragen

Die Akkustatusanzeige leuchtet während des Ladevorgangs nicht	Das Ladekabel ist nicht an die Steckdose angeschlossen	Stellen Sie sicher, dass das Ladekabel eingesteckt ist
	Das Gerät wird nicht richtig an die Ladestation angeschlossen	Stellen Sie sicher, dass das Gerät richtig auf der Ladestation platziert ist
Es kommt kein Wasser aus dem Gerät	Der Reinwassertank ist nicht an seinem Platz installiert oder der Reinwassertank ist leer	Bauen Sie den Reinwassertank wieder ein oder füllen Sie ihn
	Es dauert 30 Sekunden, um die Bürsterolle zu befeuchten	Schalten Sie das Gerät ein und überprüfen Sie es in 30 Sekunden erneut
Wasseraustritt an der Oberseite des Schmutzwassertanks	Eine Kollision oder starkes Ziehen führt dazu, dass Wasser in den Motor gelangt	Bewegen Sie das Gerät vorsichtig hin und her, wenn es eingeschaltet ist
	Der Filter ist nach der Reinigung nicht vollständig trocken	Den Filter vor Gebrauch gründlich abtrocknen
Selbstreinigung ist fehlgeschlagen	Ein Gegenstand verklemmt sich in der Bürsterolle	Öffnen Sie die Bürstenrolleabdeckung, um die Bürsterolle zu überprüfen und zu reinigen
	Das Gerät wird nicht richtig auf die Ladestation gestellt	Stellen Sie sicher, dass das Gerät beim Aufladen ist, bevor Sie die Selbstreinigungsfunktion aktivieren
	Die Selbstreinigung kann nicht gestartet werden, wenn der Batteriestand weniger als 15% beträgt	Die Selbstreinigungsfunktion kann nur aktiviert werden, wenn das Gerät geladen ist und der Akkustand mehr als 15% beträgt
	Der Schmutzwassertank ist nicht installiert oder der Schmutzwassertank ist voll	Installieren oder leeren Sie den Schmutzwassertank.
	Der Reinwassertank ist nicht an seinem Platz installiert oder der Reinwassertank ist leer	Bauen Sie den Reinwassertank wieder ein oder füllen Sie ihn
Schlechte Trocknungsleistung oder seltsame Geräusche beim Trocknen	Luftauslass und Lufteinlass der Ladestation könnten vermutlich blockiert werden	Verstopfung von Luftauslass und Lufteinlass prüfen und beseitigen

Für weitere Dienstleistungen kontaktieren Sie uns bitte über aftersales@dreame.tech
<https://global.dreame.tech>

Fehleralarm

Wenn irgendein Fehler bei der Verwendung des Produkts auftritt, wird der Bildschirm eine Fehlermeldung ausgeben. Sie sollten den Anweisungen auf dem Bildschirm folgen, um die normale Leistung sicherzustellen.

Fehler-Symbol	Mögliche Ursache	Lösungen
	Zu wenig Wasser im Reinwassertank	Füllen Sie den Reinwassertank
	Der Schmutzwassertank ist voll	Leeren Sie den Schmutzwassertank
	Die Bürstenrolle gesteckt	Reinigen Sie die Bürstenrolle mit der mitgelieferten Reinigungsbürste
	Die Bürstenrolle nicht installiert	Installieren Sie die Bürstenrolle
	Blockierte Röhre	Überprüfen Sie, ob der Filter verstopft ist. Alternativ reinigen Sie das Rohr und den Schmutzsensord

Fehlercode	Mögliche Ursache	Lösungen
E1-E7	Fehler	Wenn das Problem weiterhin besteht, wenden Sie sich bitte an den Kundendienst
H1-H6		
H7	Batteriesusfall	Bitte kontaktieren Sie den Kundenservice

Nass-Trockensauger			
Modell	HHR25A	Ladezeit	ca. 4,5 Stunden (inkl. Trocknung)
		Trocknungszeit	1 Stunden
Nennspannung	21,6 V ---	Ladespannung	27 V ---
Nennleistung	300 W	Kapazität des Schmutzwassertank	700 mL
		Kapazität des Reinwassertank	900 mL
Ladestation			
Modell	HCB3		
Nenneingang	220-240 V~ 50/60 Hz 150 W	Nennausgang	27V --- 1,6 A

Die Nennleistung der Ladestation ist die Leistung, wenn die Trocknungsfunktion und die Ladefunktion gleichzeitig eingeschaltet sind.

Entsorgung und Entfernung von Batterien

Die eingebaute Lithium-Ionen-Batterie enthält umweltgefährdende Substanzen. Stellen Sie vor der Entsorgung der Batterie sicher, dass die Batterie von qualifizierten Technikern entfernt und in einer geeigneten Recyclinganlage entsorgt wird.

- die Batterie muss vor dem Verschrotten aus dem Gerät entfernt werden;
- das Gerät muss beim Ausbau der Batterie vom Netz getrennt werden;
- die Batterie muss sicher entsorgt werden.

Anleitung zum Entfernen

1. Entfernen Sie den Bildschirm, indem Sie ihn mit einem Werkzeug drehen.
2. Entfernen Sie die Schrauben an der Batterieabdeckung und öffnen Sie die Abdeckung mit dem richtigen Werkzeug.
3. Ziehen Sie die Klemmen zwischen der Batterie und der Leiterplatte ab, um die Batterie zu entfernen.

ACHTUNG:

- Bevor Sie den Akku entfernen, trennen Sie die Stromversorgung und lassen Sie den Akku komplett leer laufen.
- Nicht benötigte Batterien sollten in einer geeigneten Recyclinganlage entsorgt werden.
- Lassen Sie den Akku nicht in einer Umgebung mit extrem hohen Temperaturen, um Explosionsrisiken zu vermeiden.
- Unter missbräuchlicher Verwendung kann Flüssigkeit aus der Batterie ausgestoßen werden. Wenn Sie aus Versehen anfassen, spülen Sie mit Wasser und suchen Sie medizinische Hilfe.

WEEE-Informationen



Alle mit diesem Symbol gekennzeichneten Produkte sind Elektroschrott und Elektrogeräte (WEEE entsprechend EU-Richtlinie 2012/19/EU) und dürfen nicht mit unsortiertem Haushaltsmüll vermischt werden. Schützen Sie stattdessen Ihre Mitmenschen und die Umwelt, indem Sie Ihre zu entsorgenden Geräte an eine dafür vorgesehene, von der Regierung oder einer lokalen Behörde eingerichtete Sammelstelle zum Recycling von Elektroschrott und Elektrogeräten bringen. Eine ordnungsgemäße Entsorgung und Recycling helfen, negative Auswirkungen auf die Gesundheit von Umwelt und Menschen zu vermeiden. Wenden Sie sich bitte an den Installateur oder lokale Behörden, um Informationen zum Standort und den allgemeinen Geschäftsbedingungen solcher Sammelstellen zu erhalten.

Entsorgung von Elektro- und Elektronikgeräten



Die durchgestrichene Mülltonne bedeutet, dass Sie gesetzlich verpflichtet sind, diese Geräte einer vom unsortierten Siedlungsabfall getrennten Erfassung zuzuführen. Die Entsorgung über die Restmülltonne oder die gelbe Tonne ist untersagt. Enthalten die Produkte Batterien oder Akkus, die nicht fest verbaut sind, müssen diese vor der Entsorgung entnommen und getrennt als Batterie entsorgt werden.

Möglichkeiten der Rückgabe von Altgeräten

Besitzer von Altgeräten können diese im Rahmen der durch öffentlich-rechtlichen Entsorgungsträger eingerichteten und zur Verfügung stehenden Möglichkeiten der Rückgabe oder Sammlung von Altgeräten abgeben, damit eine ordnungsgemäße Entsorgung der Altgeräte sichergestellt ist. Unter dem folgenden Link besteht die Möglichkeit, sich ein Onlineverzeichnis der Sammel- und Rücknahmestellen anzuzeigen zu lassen: <https://www.ear-system.de/ear-verzeichnis/sammel-und-ruecknahmestellen>.

Datenschutz

Wir weisen alle Endnutzer von Elektro- und Elektronikaltgeräten darauf hin, dass Sie für das Löschen personenbezogener Daten auf den zu entsorgenden Altgeräten selbst verantwortlich sind.

Information sur la sécurité

Consignes de sécurité importantes Pour usage domestique seulement

- Veuillez lire attentivement ce manuel avant l'utilisation et le conserver pour référence ultérieure.
- Lors de l'utilisation d'un appareil électrique, des précautions de base doivent toujours être prises, notamment les suivantes :
- LIRE TOUTES LES INSTRUCTIONS AVANT D'UTILISER (CET APPAREIL). Le non-respect des avertissements et des instructions peut entraîner un choc électrique, un incendie et/ou des blessures graves.

AVERTISSEMENT- Pour réduire les risques d'incendie, de choc électrique ou de blessure :

- N'utilisez que ce qui est décrit dans ce guide de l'utilisateur. N'utilisez que les accessoires recommandés par le fabricant.
- N'utilisez l'appareil qu'à l'intérieur, sur des surfaces de sol non recouvertes de tapis, comme le vinyle, le carrelage, le bois scellé, etc. Veillez à ne pas rouler sur des objets non fixés ou sur les bords d'un tapis. Le fait de faire caler la brosse peut entraîner une défaillance prématurée de la courroie.
- Cet appareil peut être utilisé par des enfants à partir de 8 ans et par des personnes ayant des capacités physiques, sensorielles ou mentales réduites ou un manque d'expérience et de connaissances à condition qu'elles aient été placées sous surveillance ou qu'elles aient reçu des instructions concernant l'utilisation de l'appareil en toute sécurité et qu'elles comprennent les dangers encourus.
- N'utilisez pas de liquide inflammable ou combustible pour nettoyer les sols.
- Évitez d'utiliser cet appareil pour ramasser des liquides inflammables ou combustibles, comme l'essence. Évitez d'utiliser cet appareil dans des endroits où des liquides inflammables ou combustibles peuvent être présents.
- Ne plongez pas l'appareil dans un liquide.
- Le film plastique peut être dangereux. Pour éviter tout risque de suffocation, tenez-le à l'écart des enfants.
- Tenez les cheveux, les vêtements amples, les doigts et toutes les parties du corps éloignés des ouvertures et des parties mobiles de l'appareil et de ses accessoires.
- N'utilisez que du nettoyant de sol officiellement approuvé, comme décrit dans le manuel d'utilisation.
- Ne placez aucun objet dans les ouvertures. N'utilisez pas l'appareil si l'une de ses ouvertures est obstruée ; veillez à ce qu'elle soit exempte de poussière, de peluches, de cheveux et de tout ce qui pourrait empêcher la circulation de l'air.
- Ne l'utilisez pas si les filtres ne sont pas en place.

- N'utilisez pas l'appareil avec un accessoire endommagé (eg: Base de charge, Cordon d'alimentation etc.) . Si l'accessoire est endommagé, il doit être remplacé par le fabricant, son agent de service ou des personnes qualifiées similaires afin d'éviter tout danger.
- Éloignez les câbles de terre de l'appareil lorsque vous l'utilisez, car un danger peut se présenter si l'appareil passe sur un cordon d'alimentation.
- Ne ramassez pas de produits toxiques (eau de javel, ammoniac, nettoyant pour canalisations, etc.) Ne pas ramasser d'objets durs ou pointus tels que du verre, des clous, des vis, des pièces de monnaie, etc.
- N'utilisez pas l'appareil dans un espace clos rempli de vapeurs de peinture à l'huile, de diluant pour peinture, de certaines substances antimites, de poussières inflammables ou d'autres vapeurs explosives ou toxiques. Ne ramassez rien qui brûle ou qui fume, comme des cigarettes, des allumettes ou des cendres chaudes.
- Ne tirez pas ou ne transportez pas la base de charge par le câble, n'utilisez pas le câble comme une poignée, ne fermez pas la porte sur le câble et ne tirez pas le câble autour de bords ou de coins aigus.
- Éteignez et débranchez l'appareil lorsqu'il n'est pas utilisé, avant de le nettoyer, de l'entretenir ou de le réparer, et avant de le connecter ou de le déconnecter avec une brosse en mouvement.
- N'utilisez pas d'appareil endommagé ou modifié. Les piles endommagées ou modifiées peuvent avoir un comportement imprévisible et provoquer un incendie, une explosion ou un risque de blessure.
- N'exposez pas l'appareil au feu ou à une température excessive. L'exposition au feu ou à une température excessive peut provoquer une explosion.
- Assurez-vous que l'appareil est placé sur une surface horizontale. N'utilisez pas l'appareil dans la même position si l'appareil est équipé d'une brosse à rouleau et que la poignée n'est pas complètement verticale. Ne stockez pas l'appareil dans un endroit où il pourrait geler.
- Faites très attention lorsque vous nettoyez les escaliers.
- Empêchez tout démarrage involontaire. Assurez-vous que l'interrupteur est en position OFF avant de prendre ou de transporter l'appareil. Porter l'appareil avec votre doigt sur l'interrupteur ou sur un appareil sous tension dont l'interrupteur est allumé peut provoquer des accidents.
- Faites effectuer l'entretien par un réparateur qualifié utilisant uniquement des pièces de rechange identiques. Cela garantira que la sécurité du produit est maintenue.
- Ne modifiez pas ou n'essayez pas de réparer l'appareil sauf comme indiqué dans les instructions d'utilisation et d'entretien.
- Si l'appareil est tombé, est endommagé, laissé à l'extérieur, est tombé dans l'eau ou ne fonctionne pas comme il se doit, n'essayez jamais de le faire fonctionner. Veuillez le faire réparer dans un centre de service autorisé.

Information sur la sécurité

Batteries et charge

- Ne pas utiliser dans des environnements extrêmement chauds ou froids (en dessous de 0°C /32°F ou au-dessus de 40°C /104°F). Veuillez charger l'appareil dans une température supérieure à 0°C /32°F et inférieure à 40°C /104°F).
- Pour recharger l'appareil, utilisez uniquement la base de charge fourni avec l'appareil. Utilisez uniquement la base de charge HCB3.
- Une base de charge adaptée à un type d'appareil peut créer un risque d'incendie lorsqu'elle est utilisée avec un autre type d'appareil.
- Suivez toutes les instructions de chargement et ne chargez pas l'appareil en dehors de la plage de température spécifiée dans la batterie, car cela augmente le risque d'incendie.
- Le terminal de sortie de la base de charge ne doit pas être court-circuité. Ne l'utilisez pas avec une base de charge endommagée. Si l'appareil est tombé, s'il a été endommagé, s'il a été laissé à l'extérieur, s'il est tombé dans l'eau ou s'il ne fonctionne pas comme prévu, retournez-le à un centre de service.
- Maintenez le câble de la base de charge à l'écart des surfaces chauffées. Ne manipulez pas la fiche de la base de charge ou l'appareil avec des mains mouillées. Pour débrancher l'appareil, saisissez la fiche de la base de charge plutôt que le câble.
- Cet appareil contient des piles qui ne sont pas remplaçables.

CONSERVEZ CES INSTRUCTIONS



équipement de classe II



décalage temporel miniature lien-fusible où T 3,15A est le symbole de la caractéristique du temps/ du courant



unité d'alimentation amovible



lire le manuel de l'opérateur

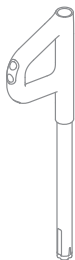
Par la présente, Dreame Trading (Tianjin) Co., Ltd., déclare que cet équipement est conforme aux directives et normes européennes applicables, ainsi qu'à leurs amendements. L'intégralité de la déclaration de conformité pour l'UE est disponible à l'adresse suivante: <https://global.dreametech.com>

Pour obtenir un manuel électronique détaillé, rendez-vous sur le site <https://global.dreametech.com/pages/user-manuals-and-faqs>

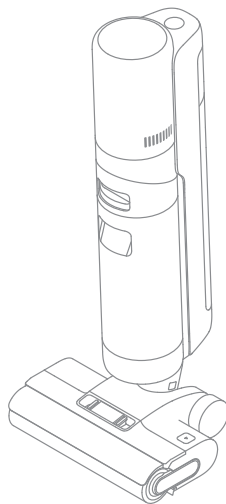
Présentation du Produit

FR

Liste d'emballage



Poignée



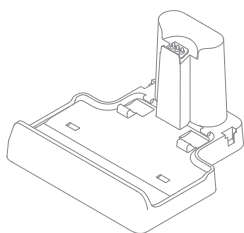
Corps Principal



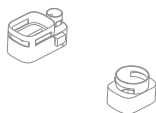
Filtre de rechange



Brosse de nettoyage



Station de chargement



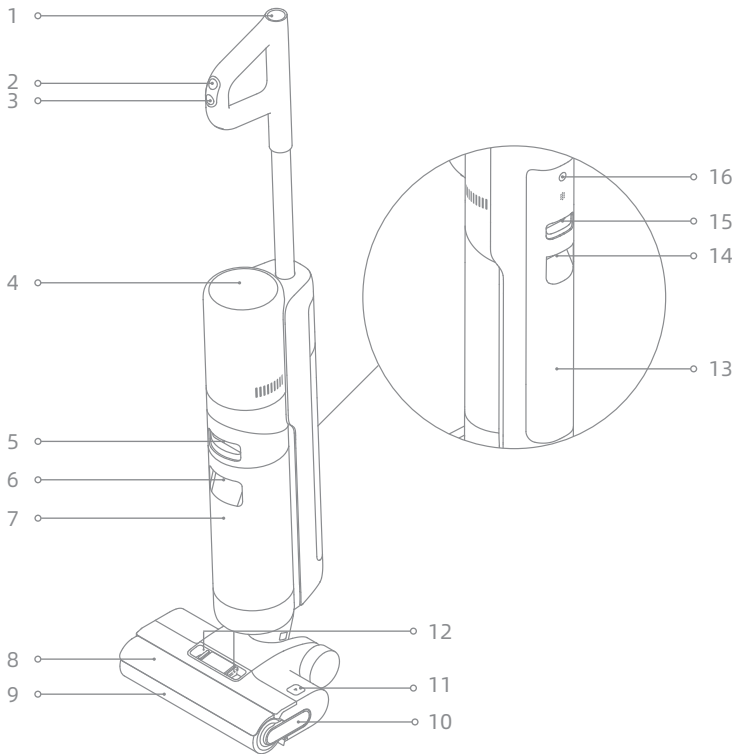
Boîtier de rangement



Brosse à rouleau de rechange

Présentation du Produit

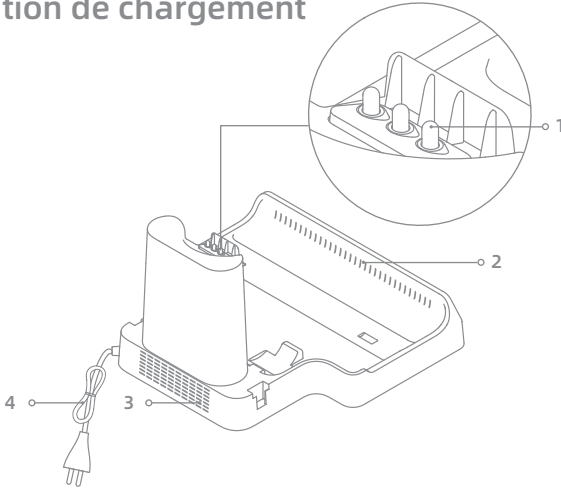
Aspirateur eau et poussière



- | | | |
|---|---|---|
| 1 Bouton d'Auto-nettoyage | 9 Brosse à rouleau | 15 Bouton de libération du réservoir d'eau propre |
| 2 Commutateur de mode | 10 Poignée de la brosse à rouleau | 16 Bouton de saisie vocale |
| 3 Interrupteur d'alimentation | 11 Boutons de déverrouillage de la brosse à rouleau | <ul style="list-style-type: none"> • Appuyez brièvement pour activer le message vocal ou régler le volume • Maintenez cette touche enfoncée pendant 3 secondes pour accéder au réglage de la langue. Appuyez sur cette touche pour passer d'une langue à l'autre. Appuyez et maintenez enfoncée pour confirmer la sélection |
| 4 Écran d'Affichage | 12 Boutons de déverrouillage du couvercle de la brosse à rouleau | |
| 5 Bouton de libération du réservoir d'eau sale | 13 Réservoir d'Eau Propre | |
| 6 Poignée du réservoir d'eau sale | 14 Poignée du réservoir d'eau propre | |
| 7 Réservoir d'eau sale | | |
| 8 Couvercle de la brosse à rouleau | | |

Présentation du Produit

Station de chargement



- 1 Contacts de charge
- 2 Entrée de séchage à l'air
- 3 Air-Drying Inlet
- 4 Cordon d'alimentation

Écran d'Affichage



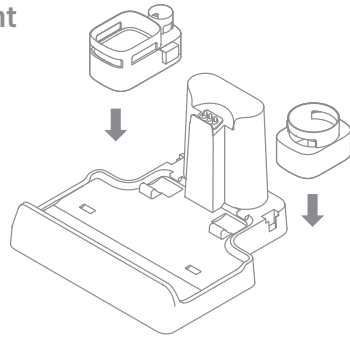
- | | | |
|------------------------------------|--|---|
| 1 Mode ultra | 5 Messages d'erreur | 6 Mode de séchage |
| 2 Mode Aspiration | Insuffisance d'eau dans le réservoir d'eau propre | 7 Mode automatique |
| 3 Indicateur d'état de la batterie | Réservoir d'eau sale plein | 8 Indicateur de concentration de saleté |
| 4 Auto-nettoyage | Tube bouché | La couleur de la courbe change en temps réel en fonction du niveau de poussière |
| | Brosse à rouleau coincée/La brosse à rouleau n'est pas installée | |

Remarque : Si l'appareil ne fonctionne pas correctement, l'écran affiche un message d'erreur. Veuillez consulter le tableau de dépannage pour trouver votre solution.

Installation

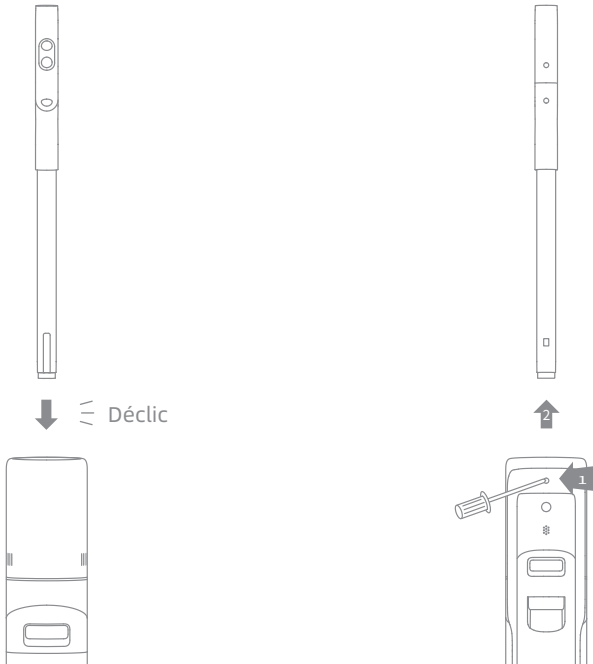
Installation du boîtier de rangement

Installez le boîtier de rangement sur la station de chargement comme indiqué sur le schéma.



Montage et démontage de la poignée

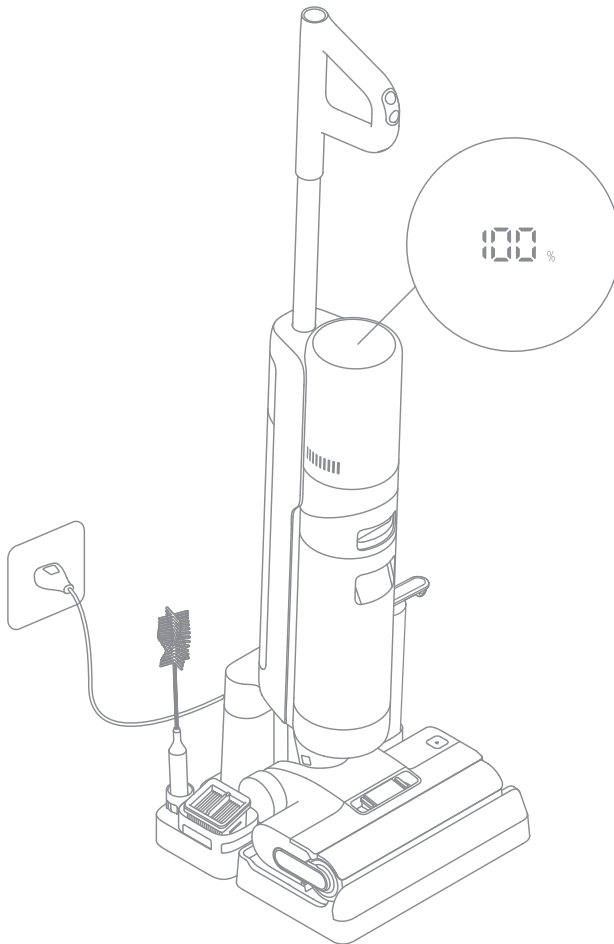
Insérez l'extrémité de la poignée verticalement dans le port sur le dessus de l'aspirateur comme indiqué, vous le sentirez cliquer en place.



Remarque : Pour démonter la poignée, veuillez utiliser un objet dur pour atteindre le trou à l'arrière de l'aspirateur afin d'appuyer sur le contact, et en même temps tirer la poignée vers le haut.

Mise en charge

1. Placez la station de chargement contre un mur sur un sol plat et branchez-la à une source d'alimentation. Chargez complètement l'appareil avant la première utilisation.
2. Placez l'appareil sur la base de charge. Lorsque le message vocal "Commencer à charger" s'affiche, l'appareil passe en mode de charge. Pendant la charge, le chiffre affiché sur l'écran représente le niveau actuel de la batterie en pourcentage. Lorsque le chiffre atteint 100, la batterie est entièrement chargée.



Remarque :

- Si aucune opération n'est effectuée dans les 10 minutes suivant la charge complète,
- l'aspirateur passe en mode veille. Veuillez redémarrer l'appareil si vous devez l'utiliser.
- Pour prolonger la durée de vie des piles, celles-ci se refroidissent automatiquement pendant environ une heure après une utilisation prolongée de l'appareil.

Modes de fonctionnement

L'appareil démarre en mode automatique par défaut. Vous pouvez passer au mode aspiration ou au mode ultra en fonction de vos besoins.



Mode automatique

Pendant le lavage du sol, l'appareil peut ajuster sa puissance d'aspiration en fonction des différentes situations.



Mode ultra

Pour préparer le mode ultra, veuillez attendre 30 secondes. Ce mode est adapté au nettoyage en profondeur.

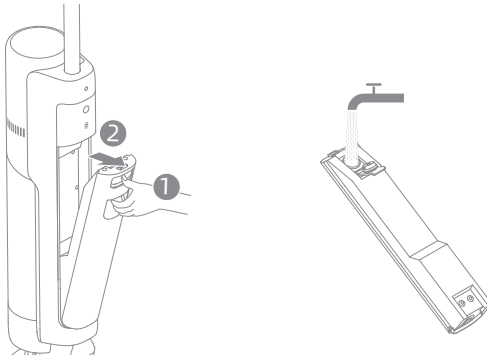


Mode Aspiration

Si le mode Aspiration est sélectionné, l'appareil n'aspire que l'eau et la brosse à rouleau ne sera pas humidifiée. Il n'y a pas d'eau qui sort du réservoir d'eau propre.

Remplissez le réservoir d'eau propre

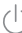

Appuyez sur le bouton de libération du réservoir d'eau propre pour retirer le réservoir. Ouvrez le couvercle du réservoir et remplissez le réservoir d'eau propre. Réinstallez le réservoir d'eau propre et assurez-vous qu'il s'enclenche en place.

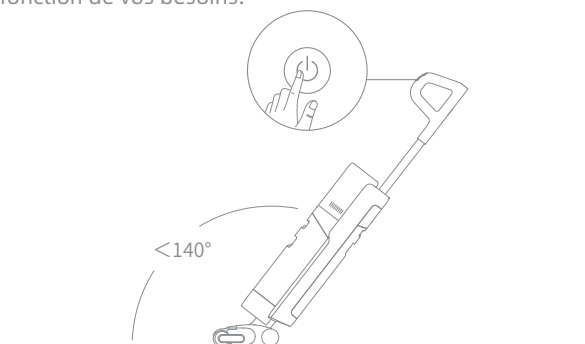


Remarque :

- Pour une meilleure performance de nettoyage, il est recommandé d'ajouter 10ml de détergent avec le bouchon de la bouteille dans le réservoir d'eau propre plein, puis de secouer doucement et uniformément pour l'utilisation.
- N'ajoutez aucun liquide autre que le nettoyant officiellement approuvé. Le nettoyant est disponible sur la boutique officielle en ligne.

Début du nettoyage

Appuyez doucement sur le couvercle de la brosse et inclinez l'appareil vers l'arrière. Appuyez sur l'interrupteur d'alimentation  pour commencer à fonctionner. Appuyez sur le bouton  pour passer entre le mode automatique - le mode ultra - le mode aspiration en fonction de vos besoins.

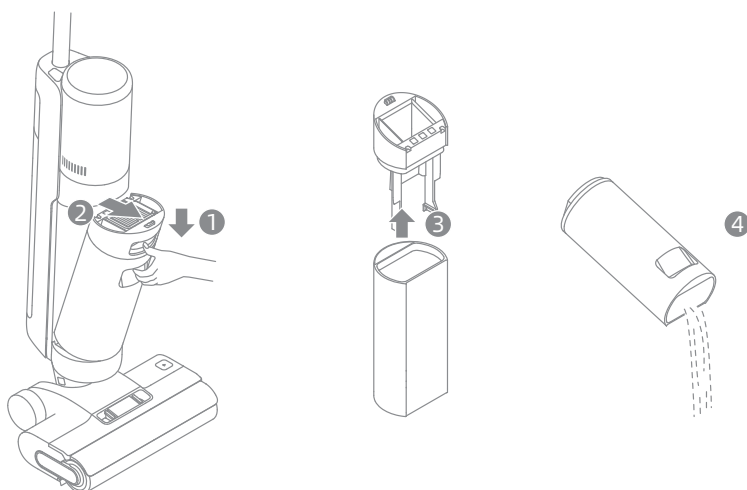


Remarque :

- Ne pas utiliser pour aspirer des liquides mousseux.
- Si l'appareil est en position verticale pendant le travail, la tâche en cours sera suspendue.
- L'appareil est adapté au nettoyage des sols, du marbre, des carreaux et autres surfaces dures.
- N'inclinez pas l'appareil vers l'arrière à plus de 140° pour éviter que l'appareil ne laisse échapper de l'eau.
- Lorsque l'appareil est en marche, ne le soulevez pas du sol, ne le déplacez pas, ne l'inclinez pas et ne le posez pas à plat. Cela pourrait provoquer l'écoulement de l'eau sale dans le moteur.


Videz le réservoir d'eau sale

Appuyez sur le bouton de libération du réservoir d'eau sale pour sortir le réservoir. Retirez le couvercle du réservoir et versez l'eau sale. Fermez le couvercle du réservoir et réinstallez le réservoir avant de l'utiliser.




Comment utiliser

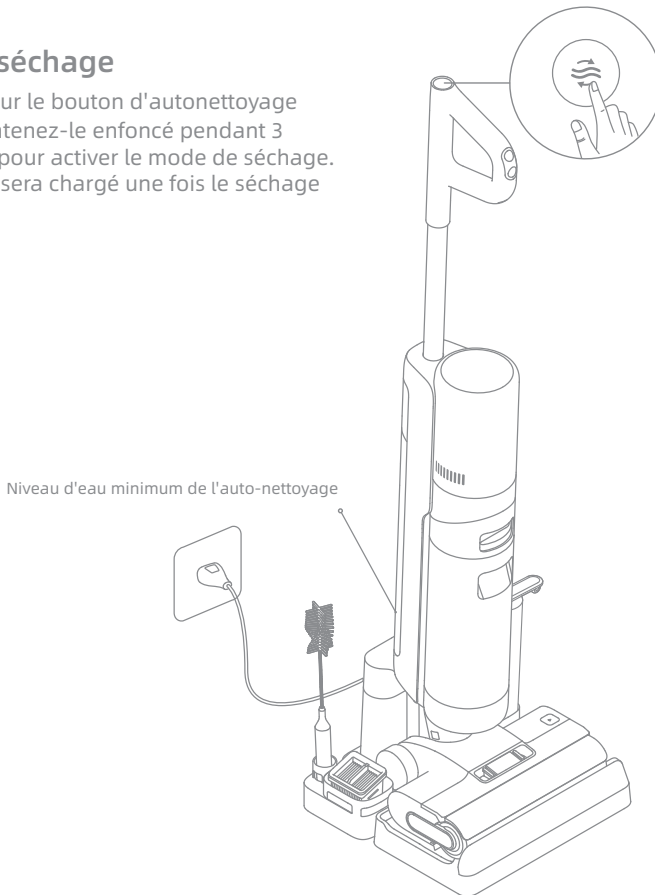
Auto-nettoyage avec une simple pression

1. Une fois que l'appareil a terminé sa tâche de nettoyage, remplacez-le sur la station et assurez-vous que l'eau contenue dans le réservoir d'eau propre est suffisante pour l'autonettoyage.
2. Appuyez brièvement sur le bouton d'autonettoyage situé sur le dessus de la poignée. L'indicateur d'autonettoyage s'allume et l'appareil commence l'autonettoyage.
3. Veuillez vider le réservoir d'eau sale une fois l'autonettoyage terminé et le mode de séchage enclenché. Appuyez sur le bouton  pour quitter le mode de séchage.

Remarque : La fonction d'auto-nettoyage ne peut être activée que lorsque l'appareil est en cours de chargement et que le niveau de la batterie est supérieur à 15%.

Mode de séchage

1. Appuyez sur le bouton d'autonettoyage  et maintenez-le enfoncé pendant 3 secondes pour activer le mode de séchage.
2. L'appareil sera chargé une fois le séchage terminé.



Remarque :

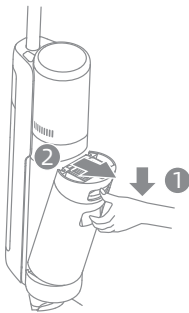
- Une fois l'autonettoyage terminé, nettoyez rapidement le réservoir d'eau sale. Nettoyez la base de charge s'il reste des taches sur la base.
- Si vous nettoyez la brosse à rouleau manuellement, veuillez le sécher à l'air libre ou le sécher en utilisant le mode de séchage plusieurs fois pour garantir un bon effet de séchage.

Conseils :

- Éteignez l'appareil avant de procéder à l'entretien. Ne touchez pas l'interrupteur d'alimentation.
- Les pièces doivent être remplacées si nécessaire, veuillez utiliser les pièces désignées par l'usine d'origine afin de ne pas endommager le produit en raison d'une inadéquation.
- Si l'appareil n'est pas utilisé pendant une période prolongée, chargez-le complètement, débranchez l'adaptateur d'alimentation et rangez l'appareil dans un endroit frais, peu humide et à l'abri des rayons directs du soleil. Pour éviter une décharge excessive de la batterie, chargez l'appareil au moins une fois tous les 3 mois.

Nettoyage du réservoir d'eau sale et du filtre

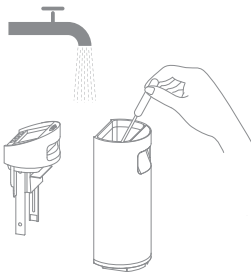
1. Appuyez sur le bouton de libération du réservoir d'eau sale et sortez le réservoir d'eau sale.



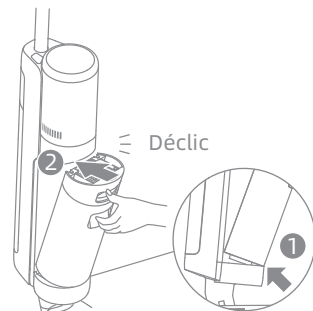
2. Retirez le filtre du couvercle du réservoir d'eau sale. Retirez le couvercle du réservoir et versez l'eau sale.



3. Rincez le réservoir d'eau sale et le couvercle du réservoir avec de l'eau propre. Nettoyez la paroi intérieure du réservoir avec la brosse de nettoyage fournie.



4. Fermez le couvercle du réservoir d'eau sale, réinstallez le réservoir et assurez-vous que le réservoir s'enclenche en place.



Remarque :

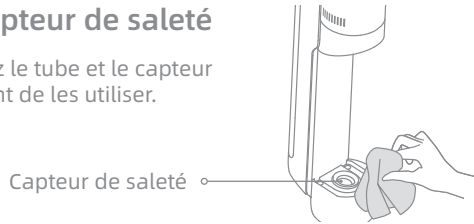
- si le filtre est sale, rincez-le à l'eau claire et séchez-le complètement avant de l'utiliser.
- Il est recommandé de remplacer le filtre tous les 3 à 6 mois.

Entretien et maintenance

Nettoyage du tube et du capteur de saleté

Retirez le réservoir d'eau sale, essuyez le tube et le capteur de saleté avec un chiffon humide avant de les utiliser.

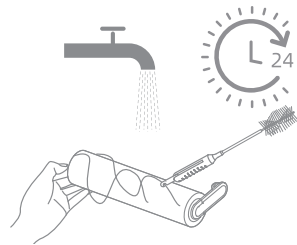
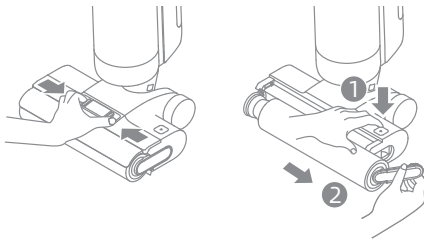
Remarque : ne rincez pas le tube ou le capteur de saleté.



Nettoyage de la brosse

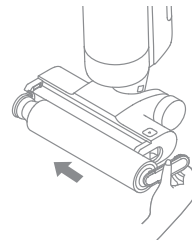
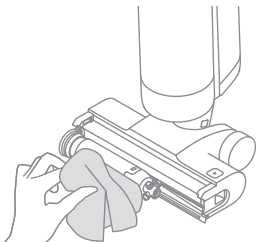
1. Tout d'abord, appuyez sur les boutons de libération du couvercle de la brosse à rouleau vers l'intérieur des deux côtés pour retirer le couvercle. Ensuite, appuyez sur le bouton de libération de la brosse à rouleau et sa poignée sort. Tirez sur la poignée pour retirer la brosse à rouleau.

2. Dégagez les cheveux et les débris emmêlés sur le rouleau-brosse avec la brosse de nettoyage fournie. Rincez le rouleau-brosse à l'eau claire. Séchez soigneusement le rouleau-brosse à l'air libre, ou séchez-le en activant plusieurs fois le mode de séchage.



3. Essuyez l'entrée d'aspiration avec un chiffon sec ou un tissu humide. Ne rincez pas l'ensemble de la brosse à l'eau.

4. Après avoir nettoyé la brosse à rouleau, remettez en place la brosse et son couvercle. Vous entendrez un clic pour indiquer qu'ils sont bien en place.



Remarque :

- Nettoyez selon les besoins. Il est recommandé d'utiliser alternativement les deux rouleaux-brosses fournis.
- Il est recommandé de remplacer le rouleau-brosse tous les 3 à 6 mois.

Si une erreur se produit, l'appareil s'arrête de fonctionner. Veuillez consulter le tableau suivant pour le dépannage. Si le problème persiste, veuillez contacter le service clientèle.





Erreur	Cause Possible	Solutions
L'appareil ne fonctionne pas	L'appareil n'a plus de batterie ou son niveau de batterie est faible	Chargez complètement sa batterie avant de l'utiliser
	L'appareil est en position verticale	Inclinez l'appareil vers l'arrière
	Blocage activé du mode de protection contre la surchauffe	Éliminez l'obstruction et attendez que la température redevienne normale
	Le réservoir d'eau sale est plein	Videz le réservoir d'eau sale
	La poignée, la brosse à rouleau ou le Réservoir d'eau sale n'est pas correctement installé	Vérifiez que la poignée, la brosse à rouleau ou le réservoir d'eau sale sont bien en place
L'appareil se charge lentement	La température de la batterie est trop basse ou trop élevée	Attendez que la température de la batterie redevienne normale
La puissance d'aspiration de l'appareil est faible	Le filtre est bouché	Nettoyage du filtre
	L'entrée ou le tube d'aspiration est bloqué par un corps étranger	Nettoyez le tube et l'entrée d'aspiration
Le moteur émet un bruit étrange	Il y a trop d'eau sale dans le réservoir d'eau usée	Videz le réservoir d'eau sale
	L'ouverture d'aspiration principale est bloquée	Éliminez tout blocage dans l'ouverture d'aspiration principale
La concentration de saleté est rouge	Le capteur de saleté doit être nettoyé	Le capteur de saleté se trouve dans le tube. Suivez les instructions de nettoyage du tube
	La concentration du nettoyant est trop élevée	Diluez le nettoyant avec de l'eau selon le ratio recommandé
	Le nettoyant d'une autre marque a provoqué une grande quantité de mousse	Utilisez uniquement le nettoyant officiellement approuvé
L'indicateur d'état de la batterie ne s'allume pas pendant la charge	Le câble de la base de charge n'est pas branché dans la prise électrique	Vérifiez que le câble de la base de charge est branché
	L'appareil n'est pas placé correctement sur la station de chargement	Assurez-vous que l'appareil est placé correctement sur la base de chargement

Il n'y a pas d'eau qui sort de l'appareil	Le réservoir d'eau propre n'a pas été installé en place ou le réservoir d'eau propre est vide	Réinstallez ou remplissez le réservoir d'eau propre
	Il faut 30 secondes pour humidifier le rouleau-brosse	Mettez l'appareil en marche et vérifiez à nouveau dans 30 secondes
Fuite d'eau par le haut du réservoir d'eau sale	Un choc ou une traction brutale provoque l'entrée d'eau dans le moteur	Déplacez doucement l'aspirateur d'avant en arrière lorsque vous le mettez en marche
	Le filtre n'est pas complètement sec après avoir été nettoyé	Séchez complètement le filtre avant de l'utiliser
L'autonettoyage a échoué	La brosse à rouleau est peut-être bloquée par de grosses particules	Ouvrez le couvercle de la brosse à rouleau pour la vérifier et nettoyer
	L'appareil n'est pas placé correctement sur la base de charge	Assurez-vous que l'appareil est chargé avant d'activer la fonction d'autonettoyage
	L'autonettoyage ne peut pas être activé si le restant de la batterie est inférieur à 15%	La fonction d'auto-nettoyage ne peut être activée que lorsque l'aspirateur est chargé et que le restant de la batterie est supérieur à 15%
	Le réservoir d'eau sale n'est pas installé en place ou le réservoir d'eau sale est plein	Réinstallez ou videz le réservoir d'eau sale
	Le réservoir d'eau propre n'a pas été installé en place ou le réservoir d'eau propre est vide	Réinstallez ou remplissez le réservoir d'eau propre
Mauvaise performance de séchage ou bruit étrange pendant le séchage	La sortie et l'entrée d'air de la base de charge sont peut-être bloquées.	Vérifiez et éliminez l'obstruction de la sortie et de l'entrée d'air

Pour des services supplémentaires, veuillez nous contacter via aftersales@dreame.tech
<https://global.dreametech.com>

Indication pour la panne

Si vous devez prêter attention à une anomalie quelconque pendant l'utilisation du produit, l'écran affichera un message d'avertissement. Vous devez suivre les instructions à l'écran pour que les performances restent normales.

Icône d'erreur	Cause Possible	Solutions
	Insuffisance d'eau dans le réservoir d'eau propre	Remplissez le réservoir d'eau propre
	Le réservoir d'eau sale est plein	Videz le réservoir d'eau sale
	Brosse à rouleau coincée	Nettoyez la brosse à rouleau avec la brosse de nettoyage fournie
	La brosse à rouleau n'est pas installée	Installez la brosse à rouleau
	Tube bouché	Vérifiez si le filtre est bouché. Vous pouvez également nettoyer le tube et le capteur de saleté

Code de panne	Cause Possible	Solutions
E1-E7	Erreur	Redémarrez l'appareil pour le dépannage. Si le problème persiste, veuillez contacter le service clientèle
H1-H6		
H7	Défaillance de la batterie	Veuillez contacter le service clientèle

FR Caractéristiques

Aspirateur eau et poussière			
Modèle	HHR25A	Temps de charge	environ 4,5 heures (y compris le séchage)
		Temps de séchage	1 heure
Tension nominale	21,6 V ---	Tension de charge	27 V ---
Puissance nominale	300 W	Capacité du réservoir d'eau sale	700 mL
		Capacité serbatoio dell'acqua pulita	900 mL
Station de chargement			
Modèle	HCB3		
Entrée nominale	220-240 V~ 50/60 Hz 150 W	Sortie nominale	27V --- 1,6 A

La puissance nominale de la base de charge est la puissance lorsque la fonction de séchage et la fonction de charge sont activées en même temps.

Mise au rebut et retrait de la batterie

La batterie lithium-ion intégrée contient des substances dangereuses pour l'environnement. Avant de mettre la batterie au rebut, assurez-vous qu'elle est retirée par des techniciens qualifiés et mise au rebut dans un centre de recyclage approprié.

- la batterie doit être retirée de l'appareil avant d'être mise au rebut ;
- l'appareil doit être déconnecté du réseau électrique lors du retrait de la batterie ;
- la batterie doit être mise au rebut en toute sécurité.

Guide de retrait

1. Retirez l'écran d'affichage en le faisant tourner à l'aide d'un outil.
2. Retirez tour à tour les vis du couvercle de la batterie, puis faites levier pour ouvrir le couvercle avec les outils appropriés.
3. Débranchez les bornes entre la batterie et la carte PCB pour retirer la batterie.

ATTENTION :

- Avant de retirer la batterie, débranchez l'appareil et videz la batterie autant que possible.
- Les batteries inutilisées doivent être mises au rebut dans un centre de recyclage approprié.
- Ne pas exposer à un environnement à haute température pour éviter les risques d'explosion.
- Dans des conditions abusives, un liquide peut être éjecté de la batterie. En cas de contact, rincez à l'eau et consultez un médecin.

Informations DEEE



Tous les produits portant ce symbole deviennent des déchets d'équipements électriques et électroniques (DEEE dans la Directive européenne 2012/19/UE) qui ne doivent pas être mélangés aux déchets ménagers non triés. Vous devez contribuer à la protection de l'environnement et de la santé humaine en apportant l'équipement usagé à un point de collecte dédié au recyclage des équipements électriques et électroniques, agréé par le gouvernement ou les autorités locales. Le recyclage et la destruction appropriés permettront d'éviter tout impact potentiellement négatif sur l'environnement et la santé humaine. Contactez l'installateur ou les autorités locales pour obtenir plus d'informations concernant l'emplacement ainsi que les conditions d'utilisation de ce type de point de collecte.



FR
Cet appareil,
ses accessoires,
piles et cordons
se recyclent

À DÉPOSER
EN MAGASIN

OU

À DÉPOSER
EN DÉCHÈTERIE

Points de collecte sur www.quefairedemesdechets.fr
Privilégiez la réparation ou le don de votre appareil !

Informazioni sulla Sicurezza

Istruzioni Importanti per la Sicurezza Solo Per Uso Domestico

- Leggere attentamente questo manuale prima dell'uso e conservarlo per riferimento futuro.
- Quando si utilizza un apparecchio elettrico, è necessario seguire sempre le precauzioni di base, comprese le seguenti :
- **LEGGERE TUTTE LE ISTRUZIONI PRIMA DI UTILIZZO (QUESTO APPARECCHIO).** La mancata osservanza delle avvertenze e delle istruzioni può provocare scosse elettriche, incendi e/o lesioni gravi.

AVVERTENZA- Per ridurre il rischio di incendi, scosse elettriche o lesioni:

- Utilizzare solo come descritto in questa guida per l'utente. Utilizzare solo gli accessori consigliati dal produttore.
- Utilizzare solo in interni, su superfici non rivestite di tappeto come vinile, piastrelle, legno sigillato, ecc. Fare attenzione a non calpestare oggetti sciolti o bordi di tappeti. Lo stallo della spazzola può provocare un guasto prematuro della cinghia.
- Questo prodotto non deve essere utilizzato da bambini di età inferiore a 8 anni, né da persone con deficit fisici, sensoriali, cognitivi, esperienza o conoscenza limitata, senza la supervisione di un genitore o tutore, al fine di garantire la sicurezza del funzionamento ed evitare eventuali rischi. La pulizia e la manutenzione non devono essere eseguite da bambini senza supervisione.
- Non usare per raccogliere liquidi infiammabili o combustibili, come benzina. Non usare in aree dove possono essere presenti liquidi infiammabili o combustibili.
- Non immergere l'apparecchio in liquidi.
- La pellicola di plastica può essere pericolosa. Per evitare il pericolo di soffocamento, tenerlo lontano dalla portata dei bambini.
- Tenere i capelli, i vestiti larghi, le dita e tutte le parti del corpo lontani dalle aperture e dalle parti in movimento dell'apparecchio e dei suoi accessori.
- Usa solo un detergente per pavimenti ufficialmente approvato come descritto nella guida per l'utente.
- Non mettere nessun oggetto nelle aperture. Non usare l'apparecchio quando una qualsiasi apertura è ostruita; mantieni esente da polvere, lanugine, capelli e qualsiasi cosa possa inibire il flusso d'aria.
- Non utilizzarlo senza filtri in posizione.
- Non usare l'apparecchio con un accessorio danneggiato (es: Base di ricarica, Cavo di alimentazione, ecc.). Se l'accessorio è danneggiato, deve essere sostituito dal produttore, dal suo agente di servizio o da persone persona con qualifica simile al fine di evitare pericoli.

- Tieni i cavi di messa a terra lontani dall'apparecchio durante l'uso, poiché un pericolo potrebbe verificarsi se l'apparecchio passa su un cavo di alimentazione.
- Non raccogliere materiale tossico (candeggina a base di cloro, ammoniacca, detergente per scarichi, ecc.). Non raccogliere oggetti duri o appuntiti come vetro, chiodi, viti, monete, ecc.
- Non utilizzare l'apparecchio in uno spazio chiuso pieno di vapori emessi da vernici a base di olio, diluenti per vernici, alcune sostanze antitarre, polvere infiammabile o altri vapori esplosivi o tossici. Non raccogliere nulla che stia bruciando o fumando, come sigarette, fiammiferi o cenere calda.
- Non tirare o trasportare la base di ricaricatramite il cavo, usare il cavo come maniglia, chiudere la porta sul cavo o tirare il cavo attorno a spigoli vivi o angoli.
- Spegni e scollega l'apparecchio quando non è in uso, prima di pulirlo, manutenzione o ripararlo, e prima di collegarlo o scollegarlo con una spazzola mobile.
- Non utilizzare un apparecchio danneggiato o modificato. Le batterie danneggiate o modificate possono presentare un comportamento imprevedibile con conseguenti incendi, esplosioni o rischio di lesioni.
- Non esporre l'apparecchio a fiamme o temperature eccessive. L'esposizione al fuoco o ad una temperatura eccessiva può provocare un'esplosione.
- Assicurarsi che l'apparecchio sia posizionato su una superficie orizzontale. Non utilizzare l'apparecchio nella stessa posizione se è dotato di spazzola rotante e il manico non è completamente in posizione verticale. Non riporre l'elettrodomestico in un luogo in cui potrebbe gelare.
- Prestare particolare attenzione durante la pulizia delle scale.
- Impedire l'avviamento accidentale. Assicurarsi che l'interruttore sia in posizione OFF prima di sollevare o trasportare l'apparecchio. Trasportare l'apparecchio con il dito sull'interruttore o mettere sotto tensione l'apparecchio con l'interruttore acceso può provocare incidenti.
- Far eseguire la manutenzione da un tecnico qualificato utilizzando solo parti di ricambio identiche. Ciò garantirà il mantenimento della sicurezza del prodotto.
- Non modificare o tentare di riparare l'apparecchio salvo quanto indicato nelle istruzioni per l'uso e la cura.
- Se l'apparecchio è caduto, danneggiato, lasciato all'aperto, caduto in acqua o non funziona come dovrebbe, non tentare mai di metterlo in funzione. Si prega di farlo riparare presso un centro di assistenza autorizzato.

Informazioni sulla Sicurezza

Batterie e Ricarica

- Non usare in ambienti estremamente caldi o freddi (sotto 0 °C / 32 °F o sopra 40 °C / 104 °F). Per favore ricarica l'apparecchio a temperature superiori a 0 °C / 32 °F e inferiori a 40 °C / 104 °F).
- Ai fini della ricarica dell'apparecchio, usa solo la base di ricarica fornita con questo apparecchio. Usa solo con base di ricarica HCB3.
- Una base di ricarica che sia adatta per un tipo di apparecchio può creare un rischio di incendio se usata con un'altra.
- Segui tutte le istruzioni per la ricarica e non ricaricare l'apparecchio al di fuori dell'intervallo di temperatura specificato nella batteria, poiché ciò aumenta il rischio di incendio.
- I terminali di uscita della base di ricarica non devono essere cortocircuitati. Non usarlo con la base di ricarica danneggiata. Se l'apparecchio è caduto, danneggiato, lasciato all'aperto, caduto in acqua o non funziona come dovrebbe, restituiscilo a un centro di servizio.
- Tieni il cavo della base di ricarica lontano da superfici riscaldate. Non maneggiare la spina della base di ricarica o l'apparecchio con le mani bagnate. Per scollegare, afferra la spina della base di ricarica, anziché il cavo.
- Questo apparecchio contiene batterie non sostituibili.

SALVARE QUESTE ISTRUZIONI



apparecchiature di classe II

T 3,15A



lasso di tempo miniatura collegamento del fusibile dove T 3,15A è il simbolo della caratteristica del tempo / corrente



Unità di alimentazione staccabile



Leggi il manuale dell'operatore

Scatola	Manuale	Borsa	Pellicola	Pellicola	Maniglia
PAP 20	PAP 22	CPE 7	PET 1	PP 5	PE 4/PP 5

Carta	Plastica
-------	----------

RACCOLTA DIFFERENZIATA

Verifica le disposizioni del tuo Comune.
Separa le componenti e conferiscile in modo corretto.

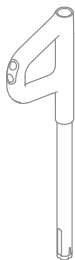
Con la presente, Dreame Trading (Tianjin) Co., Ltd., dichiara che questo apparecchio è conforme alle direttive applicabili e alle norme europee, nonché ai relativi emendamenti. Il testo completo della dichiarazione di conformità UE è disponibile al seguente indirizzo Internet: <https://global.dreametech.com>

Il manuale elettronico dettagliato è disponibile all'indirizzo <https://global.dreametech.com/pages/user-manuals-and-faqs>

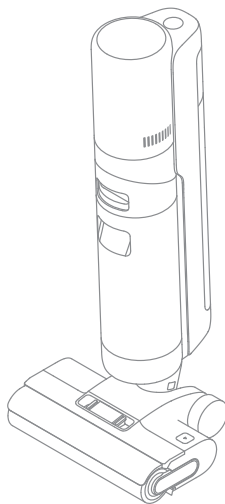
Introduzione del Prodotto

IT

Lista Imballaggio



Maniglia



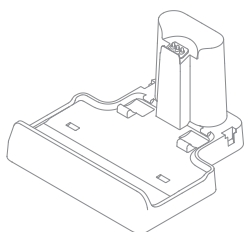
Dispositivo Principale



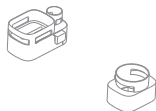
Filtro di Ricambio



Spazzola per la Pulizia



Base di Ricarica

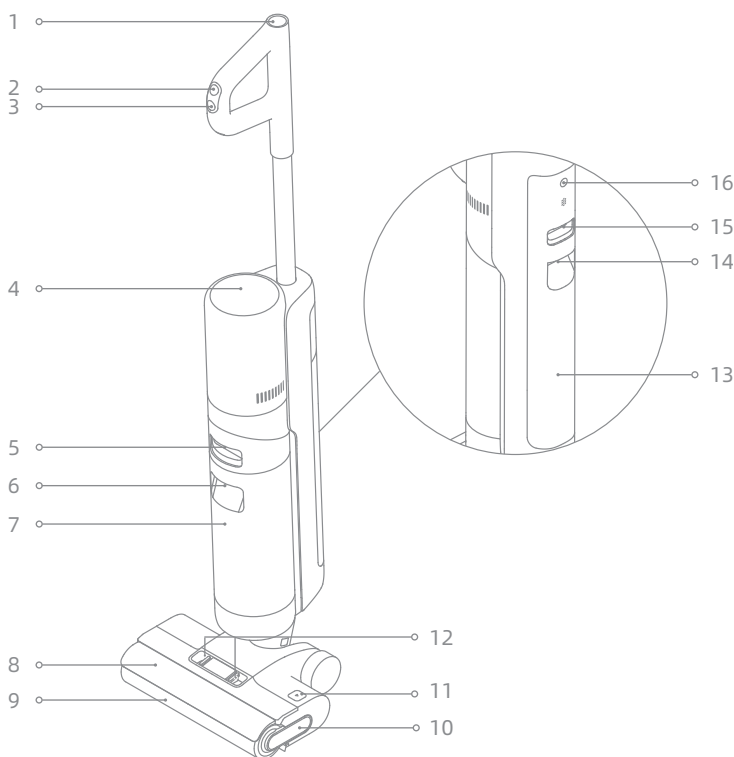


Scatola di Stoccaggio



Spazzola a Rullo di Ricambio

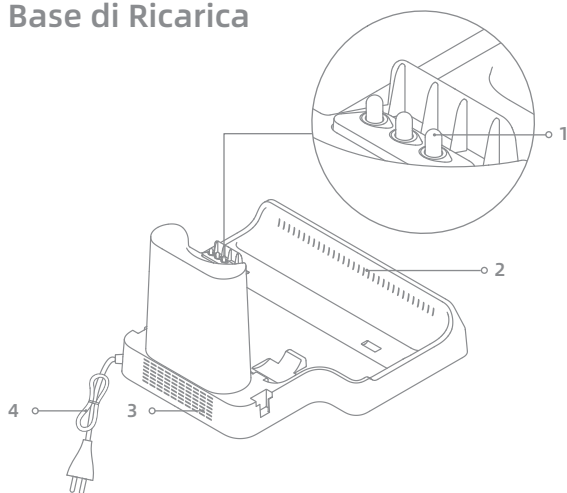
Aspiraliquidi e Aspirapolvere



- | | | |
|---|--|---|
| 1 Pulsante di Autopulizia | 8 Coperchio del Rullo della Spazzola | 14 Maniglia del Serbatoio dell'Acqua Pulita |
| 2 Interruttore di Modalità | 9 Rullo della Spazzola | 15 Pulsante di Rilascio del Serbatoio dell'Acqua Pulita |
| 3 Interruttore di Alimentazione | 10 Maniglia del Rullo della Spazzola | |
| 4 Schermo di Visualizzazione | 11 Pulsante di Rilascio del Rullo della Spazzola | 16 Pulsante Vocale |
| 5 Pulsante di Rilascio del Serbatoio dell'Acqua Usato | 12 Pulsanti di Rilascio del Coperchio del Rullo della Spazzola | <ul style="list-style-type: none"> • Premere brevemente per attivare il messaggio vocale o regolare il volume • Premi e tieni premuto per 3 secondi per accedere alle impostazioni della lingua. Premi per passare da una lingua all'altra. Premi e tieni premuto per confermare la selezione |
| 6 Maniglia del Serbatoio dell'Acqua Usata | 13 Serbatoio dell'Acqua Pulita | |
| 7 Serbatoio dell'Acqua Usato | | |

Introduzione del Prodotto

Base di Ricarica



- 1 Contatti di Ricarica
- 2 Uscita di Asciugatura dell'Aria
- 3 Ingresso di Asciugatura dell'Aria
- 4 Cavo di Alimentazione

Schermo di Visualizzazione



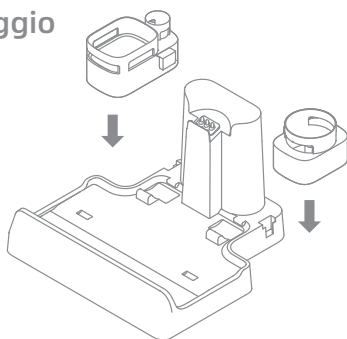
- | | | |
|--------------------------------------|--|--|
| 1 Modalità Ultra | 5 Messaggi di Errore | 6 Modalità di Asciugatura |
| 2 Modalità di Aspirazione | Acqua insufficiente nel serbatoio dell'acqua pulita | 7 Modalità Auto |
| 3 Indicatore di Stato della Batteria | Serbatoio dell'acqua usato pieno | 8 Indicatore di Concentrazione di Sporco |
| 4 Auto-Pulizia | Tubo Bloccato | Il colore della curva cambia con la quantità di polvere in tempo reale |
| | Rullo della spazzola bloccato/ Rullo della spazzola non installato | |

Nota : Se l'apparecchio non funziona correttamente, la visualizzazione dello schermo mostrerà un messaggio di errore. Per favore fai riferimento alla tabella di risoluzione dei problemi per trovare la tua soluzione.

IT Installazione

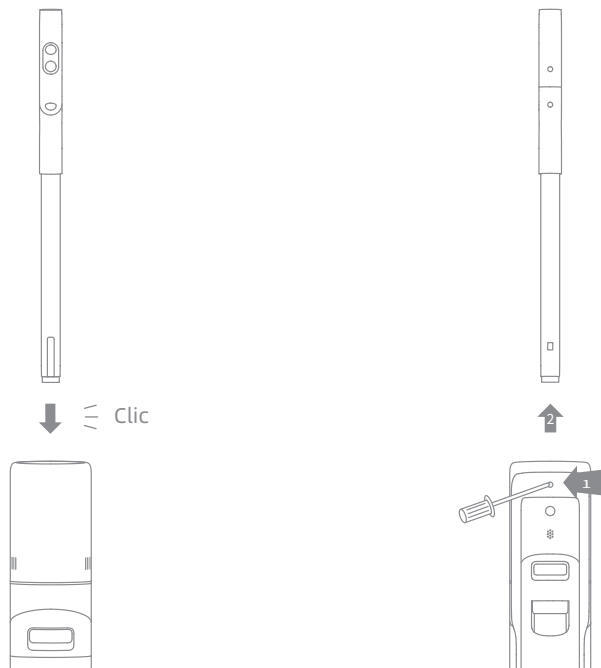
Installazione della Scatola di Stoccaggio

Installa la scatola di stoccaggio sulla base di ricarica come mostrato nel diagramma.



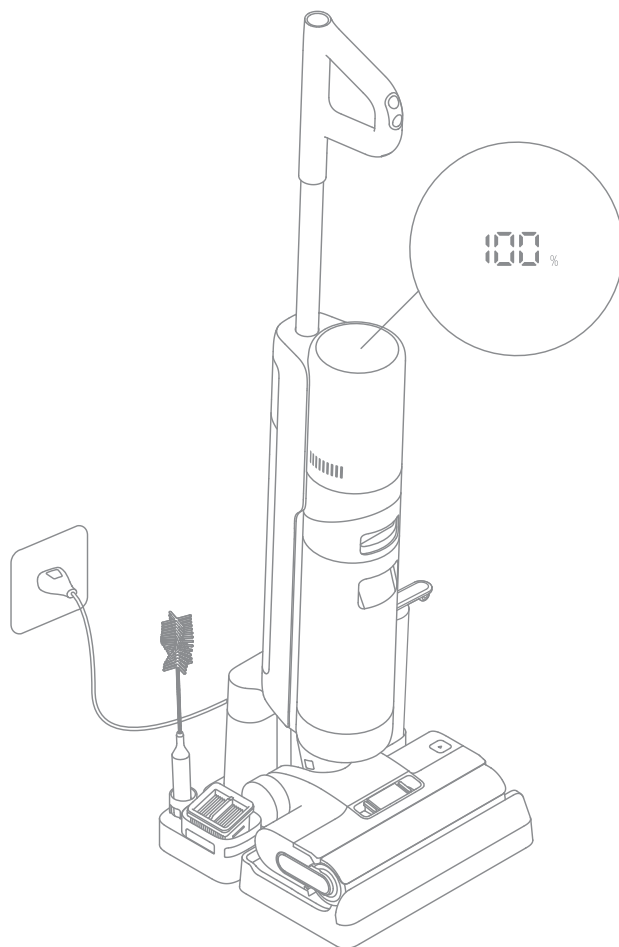
Montaggio e Smontaggio della Maniglia

Inserire il fondo della maniglia verticalmente nella porta sulla parte superiore dell'aspirapolvere secondo la direzione mostrata nella figura e l'installazione è riuscita quando si sente un clic.



Nota: Per smontare la maniglia, utilizzare un oggetto duro per raggiungere il foro sul retro dell'aspirapolvere per premere il contatto e allo stesso tempo estrarre la maniglia verso l'alto.

1. Posiziona la base di ricarica contro una parete su un terreno pianeggiante e collegala a una fonte di alimentazione. Ricarica completamente l'apparecchio prima del primo uso.
2. Posiziona l'apparecchio sulla base di ricarica. Quando viene visualizzato il messaggio vocale "Avvia ricarica", l'apparecchio attiva la modalità di ricarica. Durante la ricarica, il numero sullo schermo di visualizzazione rappresenta il livello attuale della batteria in percentuale. Quando il numero raggiunge 100, la batteria è completamente carica.



Nota :

- Se non c'è alcuna operazione entro 10 minuti prima di essere ricaricato completamente, l'aspirapolvere entrerà in modalità di sospensione. Per favore riavvia l'apparecchio se hai bisogno di usarlo.
- Per prolungare la durata della batteria, la batteria continua a raffreddarsi automaticamente per circa un'ora dopo che hai usato l'apparecchio per un lungo periodo.

Modalità di Funzionamento

L'apparecchio si avvierà in modalità automatica per impostazione predefinita. Puoi passare alla modalità di aspirazione o alla modalità ultra in base alle tue esigenze.



Modalità Auto

Durante il lavaggio del pavimento, l'apparecchio può regolare la propria potenza di aspirazione secondo le diverse situazioni.



Modalità Ultra

Preparazione della modalità ultra in corso, per favore attendi 30 secondi. Questa modalità è ideale per la pulizia approfondita.

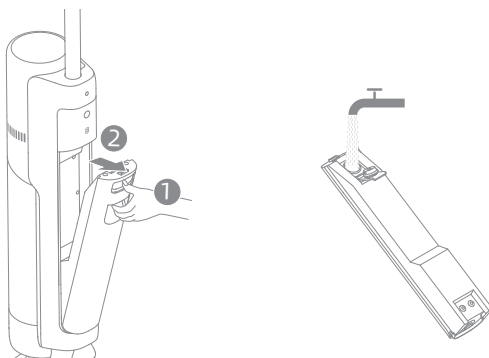


Modalità di Aspirazione

Se è selezionata la modalità di Aspirazione, l'apparecchio aspira solo acqua e il rullo della spazzola non sarà inumidito. Non esce acqua dal Serbatoio dell'Acqua Pulita.

Riempi il Serbatoio dell'Acqua Pulita



Premi il pulsante di rilascio del Serbatoio dell'Acqua Pulita per rimuovere il serbatoio. Apri il coperchio del serbatoio e riempi il serbatoio con acqua pulita. Reinstalla il Serbatoio dell'Acqua Pulita e assicurati che scatti in posizione.

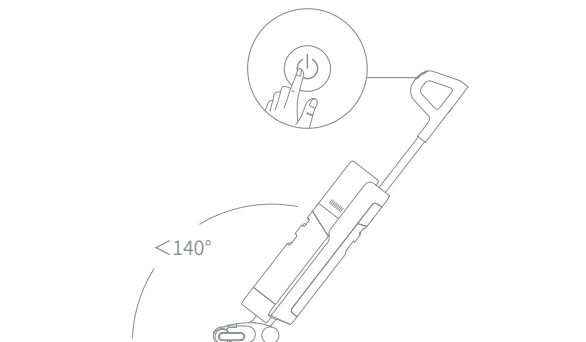


Nota :

- Per prestazioni di pulizia migliori, si consiglia di aggiungere 10 ml di detersivo con il tappo del flacone nel Serbatoio dell'Acqua Pulita pieno, quindi agitare delicatamente e uniformemente per l'uso.
- Non aggiungere liquidi diversi dal detergente ufficialmente approvato. Il detergente può essere disponibile sul negozio online ufficiale.

Inizia la Pulizia

Calpesta delicatamente il coperchio della spazzola e reclinati l'apparecchio all'indietro. Premi l'interruttore di Alimentazione  per iniziare a funzionare. Premi il  per passare tra la modalità automatica - la modalità ultra - la modalità di aspirazione secondo le tue esigenze.

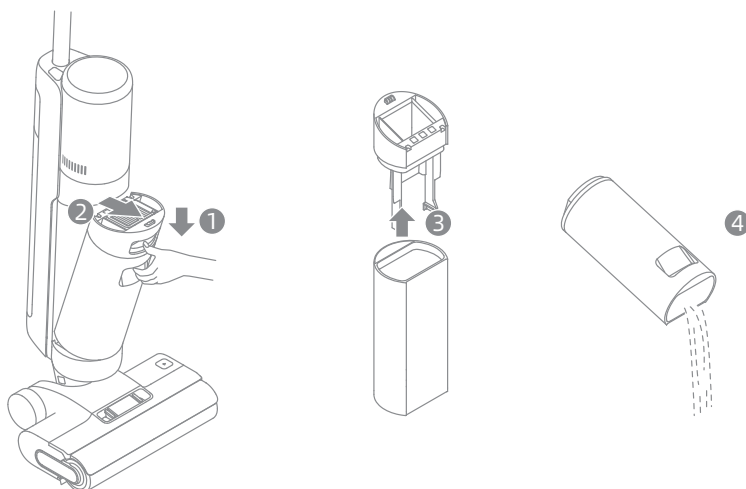


Nota :


- Non usare per aspirare liquidi schiumosi.
- Se l'apparecchio è in posizione verticale durante il funzionamento, il compito corrente sarà sospeso.
- L'apparecchio è adatto per la pulizia di pavimenti, marmo, piastrelle e altre superfici dure.
- Non reclinare l'apparecchio all'indietro di oltre 140° per evitare perdite d'acqua dall'apparecchio.
- Quando l'apparecchio è in funzione, non sollevarlo da terra, spostarlo, inclinarlo o appoggiarlo in piano. Farlo potrebbe far fluire l'acqua usata nel motore.

Svuota il serbatoio dell'acqua usata

Premi il pulsante di rilascio del Serbatoio dell'Acqua Usata per estrarre il serbatoio. Rimuovi il coperchio del serbatoio e versa l'acqua usata. Chiudi il coperchio del serbatoio e reinstalla il serbatoio prima dell'uso.




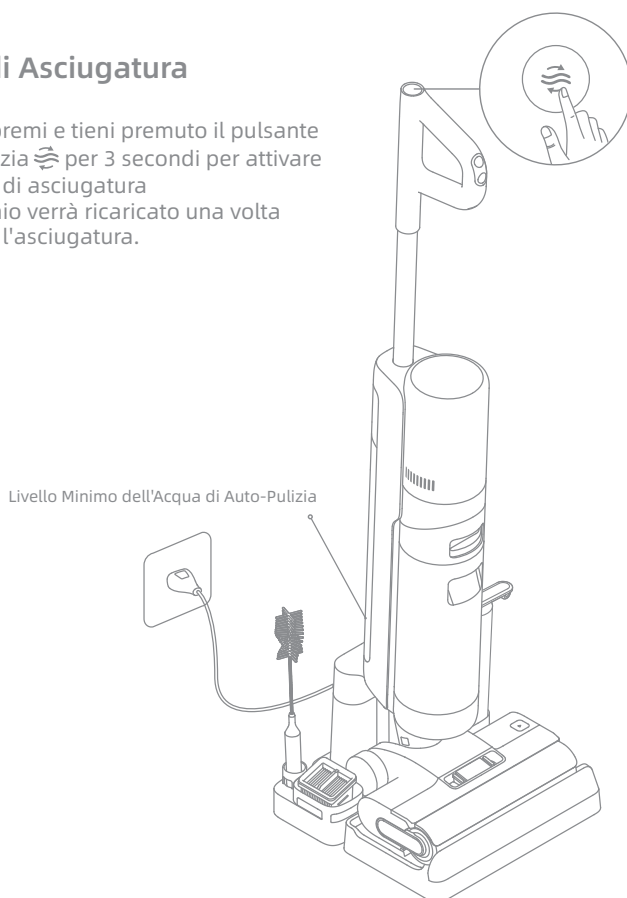
Auto-Pulizia con una Sola Pressione

1. Dopo che l'apparecchio ha completato l'operazione di pulizia, riposizionalo sulla base e assicurati che l'acqua nel Serbatoio dell'Acqua Pulita sia sufficiente per l'auto-pulizia.
2. Premi brevemente il pulsante di auto-pulizia sulla parte superiore della maniglia. L'indicatore di auto-pulizia si accenderà e l'apparecchio inizierà l'auto-pulizia.
3. Per favore svuota il Serbatoio dell'Acqua Usata dopo che l'auto-pulizia è stata completata e la modalità di asciugatura è stata attivata. Premi il pulsante  per uscire dalla modalità di asciugatura.

Nota: La funzione di auto-pulizia è attivabile solo quando l'apparecchio è in ricarica e il livello della batteria è superiore al 15%.

Modalità di Asciugatura

1. Per favore premi e tieni premuto il pulsante di auto-pulizia  per 3 secondi per attivare la modalità di asciugatura
2. L'apparecchio verrà ricaricato una volta completata l'asciugatura.



Nota:

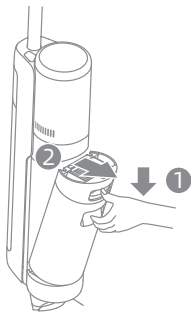
- Dopo che l'auto-pulizia è completa, pulisci tempestivamente il Serbatoio dell'Acqua Usata. Pulisci la base di ricarica se ci sono delle macchie lasciate sulla base.
- Se pulisci il rullo della spazzola manualmente, per favore asciugalo accuratamente all'aria o asciugalo usando la modalità di asciugatura più volte per garantire un buon effetto di asciugatura.

Suggerimenti:

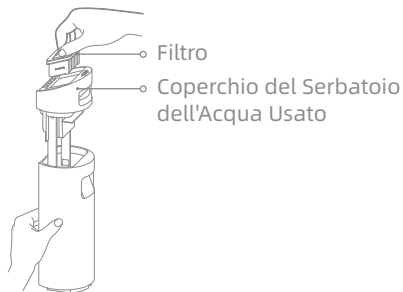
- Spegni l'apparecchio prima della manutenzione. Non toccare l'interruttore di alimentazione.
- Le parti devono essere sostituite se necessario, si prega di utilizzare le parti designate dalla fabbrica originale per evitare danni al prodotto a causa di inadeguatezza.
- Se l'apparecchio non è usato per un periodo esteso, ricaricalo completamente, scollega l'adattatore di alimentazione e riponi l'apparecchio in un ambiente fresco e poco umido, lontano dalla luce solare diretta. Per evitare una scarica eccessiva della batteria, ricarica l'apparecchio almeno una volta ogni 3 mesi.

Pulizia del Serbatoio dell'Acqua Usata e del Filtro

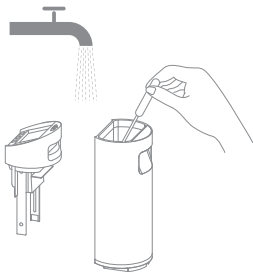
1. Premi il pulsante di rilascio del Serbatoio dell'Acqua Usata ed estrai il Serbatoio dell'Acqua Usata.



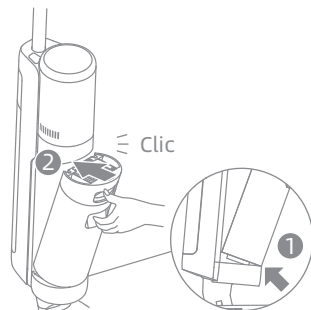
2. Estrai il filtro dal coperchio del Serbatoio dell'Acqua Usata. Rimuovi il coperchio del serbatoio e versa l'acqua di scarico.



3. Sciacqua il serbatoio dell'acqua usata e il coperchio del serbatoio con acqua pulita. Pulisci la parete interna del serbatoio con la spazzola in dotazione.



4. Chiudi il coperchio del Serbatoio dell'Acqua Usata, reinstalla il Serbatoio dell'Acqua Usata e assicurati che il serbatoio scatti in posizione.



Nota:

- Se il filtro è sporco, sciacqualo con acqua pulita e asciugalo completamente prima dell'uso.
- Si consiglia di sostituire il filtro ogni 3 - 6 mesi.

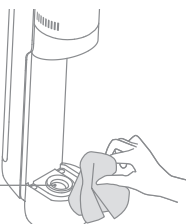
Cura e Manutenzione

Pulizia del Tubo e del Sensore di Sporco

Rimuovi il Serbatoio dell'Acqua Usata, pulisci il tubo e il sensore di sporco con un panno umido prima dell'uso.

Nota: Non risciacquare il tubo o il sensore di sporco.

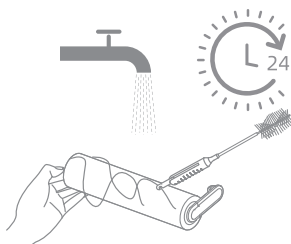
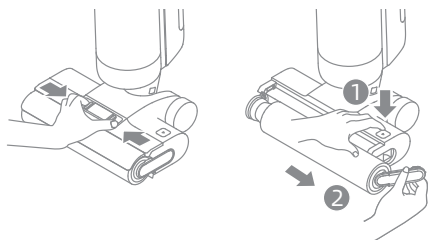
Sensore di Sporco



Pulizia del Gruppo Spazzole

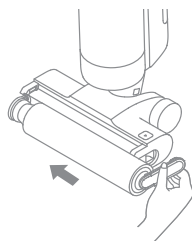
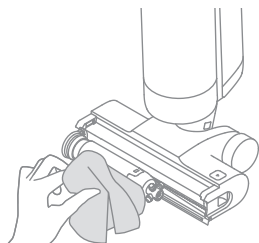
1. Innanzitutto, premi i pulsanti di rilascio del coperchio del rullo della spazzola verso l'interno su entrambi i lati per rimuovere il coperchio del rullo della spazzola. Quindi, premi il pulsante di rilascio del rullo della spazzola e la maniglia del rullo della spazzola uscirà. Tira la maniglia per estrarre il rullo della spazzola.

2. Elimina i capelli e i detriti aggrovigliati sul rullo della spazzola con la spazzola per la pulizia fornita. Sciacqua il rullo della spazzola con acqua pulita. Asciuga accuratamente il rullo della spazzola all'aria, o asciugalo attivando la modalità di asciugatura più volte.



3. Pulisci l'ingresso di aspirazione con un panno asciutto o un panno umido. Non risciacquare il gruppo spazzola con acqua.

4. Dopo aver pulito il rullo della spazzola, reinstalla il rullo della spazzola e il coperchio del rullo della spazzola. Sentirai un clic per indicare che sono installati in posizione.



Nota:

- Pulisci secondo necessità. Si consiglia l'uso alternato dei due rulli della spazzola forniti.
- Si consiglia di sostituire il rullo della spazzola ogni 3 - 6 mesi.

Domande Frequenti

Se si verifica un errore, l'apparecchio smetterà di funzionare. Per favore fai riferimento alla tabella seguente per la risoluzione dei problemi. Se il problema persiste, per favore contatta il servizio clienti.

Errore	Causa possibile	Soluzioni
L'apparecchio non funziona	La batteria dell'apparecchio è scarica o il livello della batteria è basso	Ricarica completamente la batteria prima dell'uso
	L'apparecchio è in posizione verticale	Reclina l'apparecchio all'indietro
	Modalità di protezione da surriscaldamento attivata da blocco	Elimina il blocco e attendi che la temperatura ritorni normale
	Il serbatoio dell'acqua usata è pieno	Svuota il serbatoio dell'acqua usata
	L'impugnatura, il rullo della spazzola o il Serbatoio dell'Acqua Usata non sono installati correttamente	Assicurati che l'impugnatura, il rullo della spazzola o il Serbatoio dell'Acqua Usata siano tutti correttamente in posizione
L'apparecchio si ricarica lentamente	La temperatura della batteria è troppo bassa o troppo alta	Attendi finché la temperatura della batteria non torna normale
La potenza di aspirazione dell'apparecchio è debole	Il filtro è ostruito	Pulizia del filtro
	L'ingresso o il tubo di aspirazione è bloccato da un oggetto estraneo	Pulisci il tubo e l'ingresso di aspirazione
Il motore fa uno strano rumore	C'è troppa acqua sporca nel Serbatoio dell'Acqua Usata	Svuota il serbatoio dell'acqua usata
	La bocca di aspirazione principale è ostruita	Eliminare qualsiasi blocco nella bocca di aspirazione principale
L'indicatore della concentrazione di sporco è rosso fisso	Il sensore di sporco deve essere pulito	Il sensore di sporco è nel tubo. Segui le istruzioni per la pulizia del tubo
	La concentrazione del detergente è troppo alta	Diluisi il detergente con acqua nella proporzione consigliata
	Una soluzione di pulizia di terze parti ha causato una grande quantità di schiuma	Usa solo il detergente ufficialmente approvato





Domande Frequenti

L'indicatore di stato della batteria non si accende durante la carica	Il cavo della base di ricarica non è collegato alla presa elettrica	Assicurati che il cavo della base di ricarica sia collegato
	L'apparecchio non è posizionato correttamente sulla base di ricarica	Assicurati che l'apparecchio sia posizionato correttamente sulla base di ricarica
Non esce acqua dall'apparecchio	Il serbatoio dell'acqua pulita non è stato installato o il serbatoio dell'acqua pulita è vuoto	Reinstallare o riempire il serbatoio dell'acqua pulita
	Ci vogliono 30 secondi per inumidire il rullo della spazzola	Accendi l'apparecchio e ricontrolla tra 30 secondi
Perdita d'acqua dalla parte superiore del serbatoio dell'acqua sporca	Una collisione o una forte trazione provoca l'ingresso di acqua nel motore	Spostare delicatamente avanti e indietro quando l'aspirapolvere è acceso
	Il filtro non è completamente asciutto dopo essere stato pulito	Asciugare completamente il filtro prima dell'uso
Auto-pulizia fallita	Il rullo della spazzola potrebbe essere inceppato da particelle grandi	Apri il coperchio del rullo della spazzola per controllare e pulire il rullo della spazzola
	L'apparecchio non è posizionato correttamente sulla base di ricarica	Assicurati che l'apparecchio sia in ricarica prima di abilitare la funzione di auto-pulizia
	L'auto-pulizia non può essere avviata se il livello della batteria è inferiore al 15%	La funzione di autopulizia può essere abilitata solo quando l'aspirapolvere è carico e il livello della batteria è superiore al 15%
	Il serbatoio dell'acqua usata non è installato in posizione o il serbatoio dell'acqua usata è pieno	Reinstalla o svuota il serbatoio dell'acqua usata
	Il serbatoio dell'acqua pulita non è stato installato o il serbatoio dell'acqua pulita è vuoto	Reinstallare o riempire il serbatoio dell'acqua pulita
Scarse prestazioni di asciugatura o strani rumori durante l'asciugatura	L'uscita dell'aria e l'ingresso dell'aria della base di ricarica potrebbero essere bloccati	Controlla e rimuovi il blocco dell'uscita dell'aria e dell'ingresso dell'aria

Per servizi aggiuntivi, per favore contattaci via aftersales@dreame.tech
<https://global.dreametech.com>

Suggerimento Guasto

In presenza di una situazione abnormale durante l'uso del dispositivo, lo schermo visualizzerà un messaggio rapido. Si devono seguire le indicazioni sullo schermo per mantenere le funzionalità invariate.

Icona errore	Causa possibile	Soluzioni
	Acqua insufficiente nel serbatoio dell'acqua pulita	Riempire il serbatoio dell'acqua pulita
	Il Serbatoio dell'Acqua Usato è pieno	Svuota il serbatoio dell'acqua usata
	Rullo della spazzola bloccato	Pulisci il rullo della spazzola con la spazzola per la pulizia fornita
	Rullo della spazzola non installato	Installa il rullo della spazzola
	Tubo Bloccato	Controlla se il filtro è intasato. Alternativamente, pulisci il tubo e il sensore di sporco

Codice di guasto	Causa possibile	Soluzioni
E1-E7	Errore	Riavvi l'apparecchio per la risoluzione dei problemi. Se il problema persiste, per favore contatta il servizio clienti
H1-H6		
H7	Batteria guasta	Si prega di contattare il servizio clienti

IT Parametri di Base

Aspiraliquidi e Aspirapolvere			
Modello	HHR25A	Tempo di Carica	ca. 4,5 ore (inclusa l'asciugatura)
		Tempo di asciugatura	1 ora
Tensione Nominale	21,6 V ---	Tensione di Carica	27 V ---
Potenza Nominale	300 W	Capacità del Serbatoio dell'Acqua Usata	700 mL
		Capacità del Serbatoio dell'Acqua Pulita	900 mL
Base di Ricarica			
Modello	HCB3		
Ingresso	220-240 V~ 50/60 Hz 150 W	Utilisation comme aspirateur à main	27V --- 1,6 A

La potenza nominale della base di ricarica è la potenza quando la funzione di asciugatura e la funzione di ricarica sono attivate allo stesso tempo.

Smaltimento e Rimozione della Batteria

La batteria incorporata agli ioni di litio contiene sostanze pericolose per l'ambiente. Prima di smaltire la batteria, assicurati che la batteria sia rimossa da tecnici qualificati e smaltita presso un centro di riciclaggio appropriato.

- la batteria deve essere rimossa dall'apparecchio prima che sia rottamata;
- l'apparecchio deve essere scollegato dalla rete di alimentazione al momento della rimozione della batteria;
- la batteria deve essere smaltita in modo sicuro.

Guida alla Rimozione

1. Rimuovi lo schermo di visualizzazione ruotandolo con uno strumento.
2. Rimuovi le viti sul coperchio della batteria a turno e quindi fai leva per aprire il coperchio con gli strumenti appropriati.
3. Scollega i terminali tra la batteria e la scheda PCB per rimuovere la batteria.

ATTENZIONE:

- Prima di rimuovere la batteria, scollega l'alimentazione ed esaurisci la batteria il più possibile.
- Le batterie non necessarie devono essere smaltite presso un centro di riciclaggio appropriato.
- Non esporre ad ambienti ad alta temperatura per evitare rischi di esplosione.
- In condizioni abusive, il liquido potrebbe essere espulso dalla batteria. In caso di contatto, sciacqua con acqua e consulta un medico.

Informazioni RAEE



Tutti i prodotti contrassegnati da questo simbolo sono rifiuti di apparecchiature elettriche ed elettroniche (RAEE in base alla direttiva 2012/19/UE) che non devono essere smaltiti assieme a rifiuti domestici non differenziati. Al contrario, è necessario proteggere l'ambiente e la salute umana consegnando i rifiuti a un punto di raccolta autorizzato al riciclaggio di rifiuti di apparecchiature elettriche ed elettroniche, predisposto dalla pubblica amministrazione o dalle autorità locali. Lo smaltimento e il riciclaggio corretti aiutano a prevenire conseguenze potenzialmente negative all'ambiente e alla salute umana. Contattare l'installatore o le autorità locali per ulteriori informazioni sulla sede e per i termini e le condizioni di tali punti di raccolta.

Información de Seguridad

Instrucciones de Seguridad Importantes

Uso Doméstico Sólo

- Lea este manual detenidamente antes de usar el aspirador y guárdelo para su consulta en el futuro.
- Al usar un aparato eléctrico, siempre se deben seguir las precauciones básicas, incluidas las siguientes:
- LEA TODAS LAS INSTRUCCIONES ANTES DE USO (DE ESTE APARATO). El incumplimiento de las advertencias e instrucciones puede provocar descargas eléctricas, incendios y / o lesiones graves.

ADVERTENCIA- Para reducir el riesgo de incendio, descarga eléctrica o lesiones:

- Utilícelo únicamente como se describe en este manual del usuario. Utilice solo los accesorios recomendados por el fabricante.
- Utilícelo únicamente en interiores y sobre pisos sin alfombras, como por ejemplo vinilo, baldosas, madera sellada, etc. Tenga cuidado de no pasar por encima de objetos sueltos o bordes de tapetes. Cepillo atrapado puede causar falla prematura de la correa.
- Este producto no debe ser utilizado por niños menores de 8 años ni por personas con deficiencias físicas, sensoriales o intelectuales, o experiencia o conocimientos limitados, sin la supervisión de un progenitor o un tutor legal que pueda garantizar un funcionamiento seguro y evitar riesgos. La limpieza y el mantenimiento no deben ser realizados por menores sin supervisión.
- No use líquidos inflamables o combustibles para limpiar los pisos.
- No lo use para recoger líquidos inflamables o combustibles, como gasolina. No lo use en áreas donde pueda haber líquidos inflamables o combustibles.
- No sumerja el aparato en líquido.
- La película plástica puede causar peligro. Para evitar asfixia, manténgala alejado de los niños.
- Mantenga el cabello, la ropa suelta, los dedos y todas las partes de su cuerpo alejados de las aberturas y las partes móviles del aparato y sus accesorios.
- Utilice solo detergentes de piso aprobados por Dreame como se describe en la guía del usuario.
- No coloque ningún objeto en las aberturas. No utilice el aparato cuando alguna abertura esté bloqueada; manténgalo libre de polvo, pelusa, cabello y cualquier cosa que pueda impedir el flujo de aire.
- No lo use sin los filtros instalados correctamente.
- No utilice el aparato con un accesorio dañado (p. ej., base de carga, cable de alimentación, etc.). Si el accesorio está dañado, debe ser reemplazado por el fabricante, su agente de servicio o personas cualificadas similares para evitar peligros.

Información de Seguridad

- Mantenga los cables de conexión a tierra alejados del aparato durante el uso, ya que puede producirse peligro si el aparato atropella un cable de alimentación.
- No recoja material tóxico (blanqueador con cloro, amoníaco, líquido limpiador de desagües, etc.). No recoja objetos duros o afilados como vidrio, clavos, tornillos, monedas, etc.
- No utilice el aparato en un espacio cerrado lleno de vapor emitido por pintura a base de aceite, disolvente de pintura, sustancias a prueba de polillas, polvo inflamable u otros vapores explosivos o tóxicos. No recoja ningún objeto que se esté quemando o humeando, como cigarrillos, fósforos o cenizas calientes.
- No tire ni traslade la base de carga por cable, no utilice el cable como manija, no cierre la puerta por encima del cable ni tire el cable contra bordes o esquinas afilados.
- Apague y desenchufe el aparato cuando no está funcionando, antes de limpiarlo, mantenerlo o repararlo, y antes de conectarlo o desconectarlo con un cepillo de movimiento.
- No utilice electrodomésticos que estén dañados o modificados. Baterías dañadas o modificadas pueden provocar actos impredecibles que resulten en fuego, explosión o riesgo de lesiones.
- No exponga el aparato al fuego ni a temperaturas excesivas. Exponerlo a fuego o a una temperatura excesiva puede provocar explosión.
- Asegúrese de que el aparato esté colocado sobre una superficie horizontal. No utilice el aparato en el mismo puesto si el aparato cuenta con un cepillo de rodillo y el asa no está en posición completamente vertical. No guarde el aparato en un lugar donde pueda congelarse.
- Tenga especial cuidado al limpiar escaleras.
- Para evitar arranque involuntario, asegúrese de que el interruptor esté en la posición APAGADO antes de levantar o transportar el aparato. Llevar el aparato con el dedo puesto en el interruptor o cargarlo con el interruptor en encendido puede provocar accidentes.
- El servicio debe ser realizado por un técnico calificado que utilice únicamente piezas de repuesto idénticas. Esto asegura que se mantiene la seguridad del producto.
- No modifique ni intente reparar el aparato salvo que se indique en las instrucciones de uso y cuidado.
- Si el aparato se ha caído, dañado, dejado al aire libre, sumergido en agua o no funciona como debería, no intente utilizarlo. Mandélo a ser reparado a un centro de servicio autorizado.

Safety Information

Baterías y carga

- No lo utilice en ambientes extremadamente cálidos o fríos (por debajo de 0°C /32°F o sobre 40°C /104°F). Cargue el aparato a una temperatura superior a 0°C /32°F e inferior a 40°C /104°F).
- A fin de recargar el aparato, utilice únicamente la base de carga provista con este aparato. Utilice únicamente con la base de carga HCB3.
- Una base de carga adecuada para un tipo de aparato puede crear un riesgo de incendio al utilizarse con otro.
- Siga todas las instrucciones de carga y no cargue el aparato fuera del rango de temperatura especificado en la batería, ya que hacerlo aumenta el riesgo de incendio.
- Los terminales de salida de la base de carga no deben cortocircuitarse. No lo utilice con una base de carga dañada. Si el aparato se ha caído, dañado, dejado al aire libre, sumergido en agua o no funciona como debería, devuélvalo a un centro de servicio.
- Mantenga el cable de la base de carga alejado de superficies calientes. No toque el enchufe de la base de carga ni el aparato con manos mojadas. Para desenchufar, tire por el enchufe de la base de carga, no por el cable.
- Este aparato contiene baterías que no son reemplazables.

GUARDE ESTAS INSTRUCCIONES



equipo clase II



lapso de tiempo miniatura fusible donde

T 3,15A es el símbolo de la característica de tiempo/corriente



unidad de suministro desmontable



leer el manual del operador

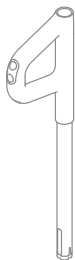
Nosotros, Dreame Trading (Tianjin) Co., Ltd., por la presente, declaramos que el equipo cumple con las Directivas y Normas Europeas aplicables y las enmiendas. Encontrará el texto completo de la declaración de conformidad de la UE en esta dirección de Internet: <https://global.dreametech.com>

Para un manual electrónico detallado, vaya a <https://global.dreametech.com/pages/user-manuals-and-faqs>

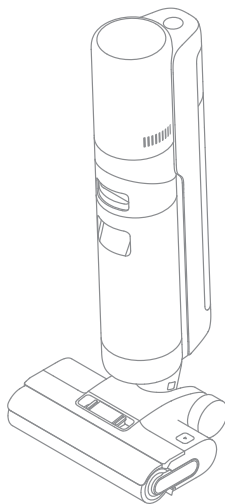
Descripción del producto

ES

Lista de paquete



Asa



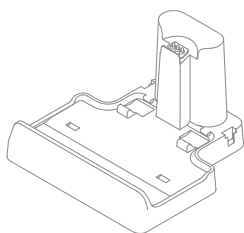
Cuerpo principal



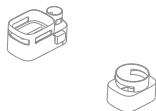
Filtro de Repuesto



Cepillo limpiadora



Base de carga



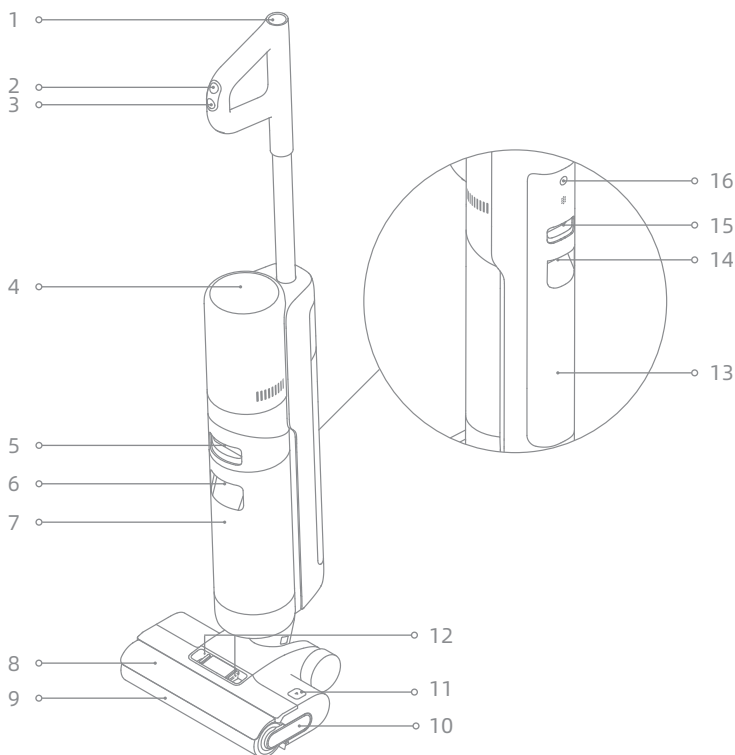
Caja de Almacenaje



Cepillo de Rodillo de Repuesto

Descripción del producto

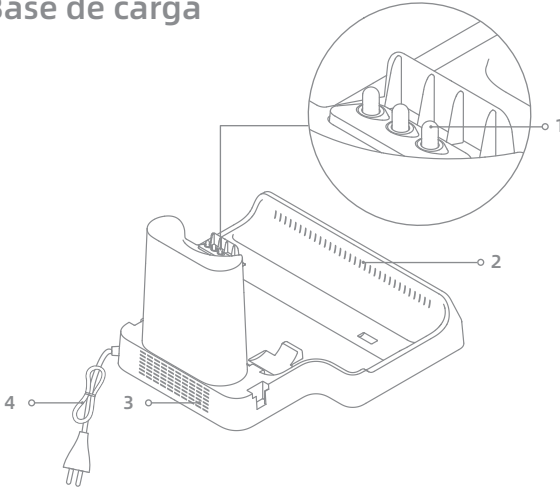
Aspirador en Seco y Húmedo



- | | | |
|---|---|--|
| 1 Botón de autolimpieza | 9 Cepillo de Rodillo | 15 Botón de Liberación del Tanque de Agua Limpia |
| 2 Cambio de Modo | 10 Asa de Cepillo de Rodillo | 16 Botón de Aviso de Voz |
| 3 Interruptor de Alimentación | 11 Botones de Liberación de Cepillo de Rodillo | <ul style="list-style-type: none"> • Presione brevemente para activar el mensaje de voz o ajustar el volumen • Mantenga pulsado durante 3 segundos para acceder a la configuración de idioma. Pulse para cambiar entre idiomas. Mantenga pulso para confirmar la selección |
| 4 Pantalla de visualización | 12 Botones de Liberación de Tapa de Cepillo de Rodillo | |
| 5 Botón de Liberación del Tanque de Agua Usada | 13 Tanque de agua limpia | |
| 6 Mango de Tanque de Agua Usada | 14 Asa del Tanque de agua Limpia | |
| 7 Tanque de Agua Usada | | |
| 8 Tapa de Cepillo de Rodillo | | |

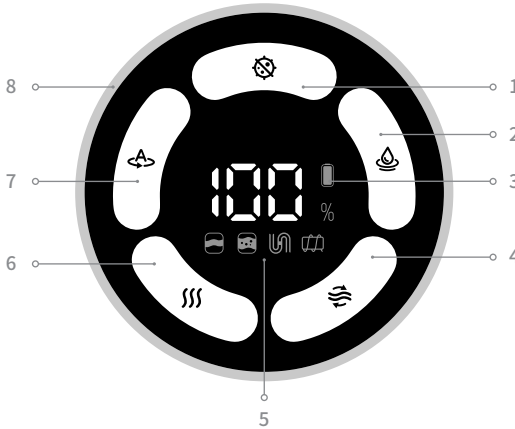
Descripción del producto

Base de carga



- 1 Contactos de carga
- 2 Salida de Aire de Secado
- 3 Entrada de Aire de Secado
- 4 Cable de Alimentación

Pantalla de visualización

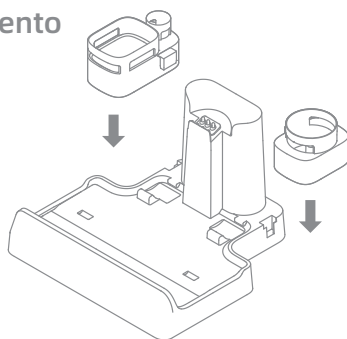


- | | | |
|----------------------------------|--|---|
| 1 Modo Ultra | 5 Mensajes de Error | 6 Modo de Secado |
| 2 Modo de Succión | Agua insuficiente en el tanque de agua limpia | 7 Modo Automático |
| 3 Indicador de Estado de Batería | Tanque de agua usado lleno | 8 Indicador de Concentración de Suciedad |
| 4 Autolimpieza | Tubo Bloqueado | El color cambia de acuerdo con el nivel de polvo inhalado |
| | Cepillo de rodillo bloqueado/
Rodillo de cepillo no instalado | |

Nota : Si el aparato no funciona correctamente, la pantalla mostrará un mensaje de error. Consulte la tabla de solución de problemas para encontrar solución.

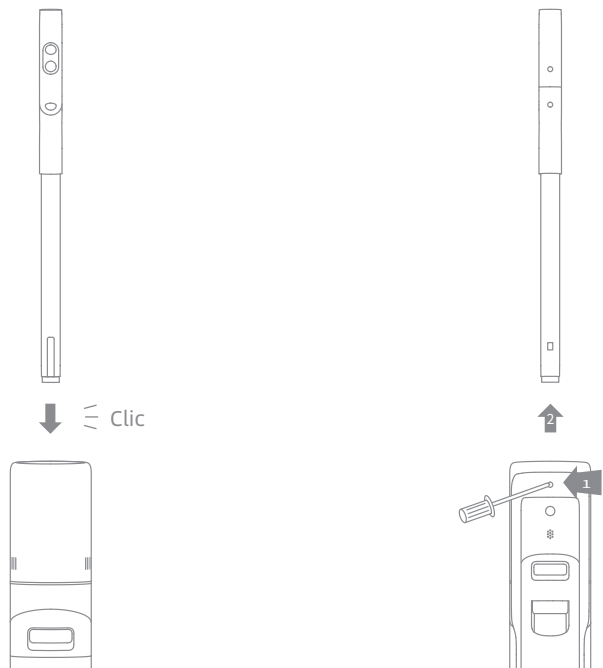
Instalación de la Caja de Almacenamiento

Instale la caja de almacenamiento en la base de carga como se muestra en el diagrama.



Montaje y Desmontaje del Asa

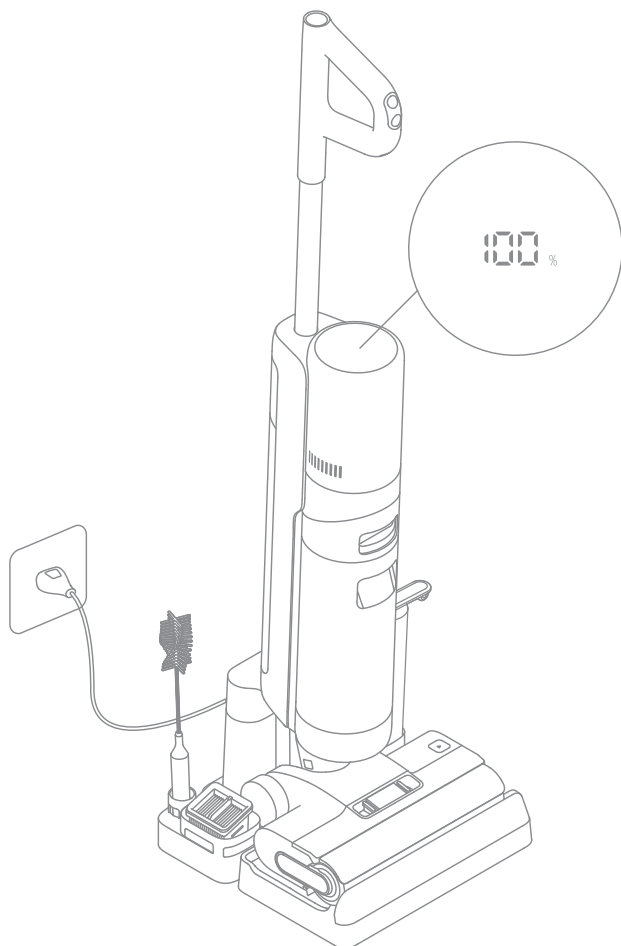
Inserte el extremo del asa verticalmente en el puerto ubicado en la parte superior del aspirador como se indica, y asegure que haya encajado bien en su lugar.



Nota: Para desmontar el asa, inserte un objeto duro al orificio en la parte posterior del aspirador para presionar el contacto y, al mismo tiempo, tire el asa hacia arriba.

Cargando

1. Coloque la base de carga contra una pared a nivel del suelo y conéctela a una fuente de alimentación. Cargue completamente el aparato antes del primer uso.
2. Coloque el aparato en la base de carga. Cuando se muestra el mensaje de voz "Comenzar a Cargar", el aparato habilitará el modo de carga. Durante la carga, el número que aparece en la pantalla representa el nivel actual de la batería en un porcentaje. Cuando el número llega a 100, la batería está completamente cargada.



Nota :

- Si no hay ninguna operación dentro de los 10 minutos tras cargarse por completo, el aspirador entrará en modo de suspensión. Reinicie el dispositivo si necesita utilizarlo.
- Para prolongar la vida útil de la batería, la batería sigue enfriándose durante aproximadamente una hora automáticamente después de uso prolongado del aparato.

Instrucción del Uso

Modos de Trabajo

El aparato se iniciará en modo automático de forma predeterminada. Puede cambiar al modo de succión o al modo ultra según sus necesidades.



Modo Automático

Mientras limpia el suelo, el aparato puede ajustar su potencia de succión según las diferentes situaciones.



Modo Ultra

Preparando el modo ultra, espere 30 segundos. Este modo es adecuado para limpieza a fondo.

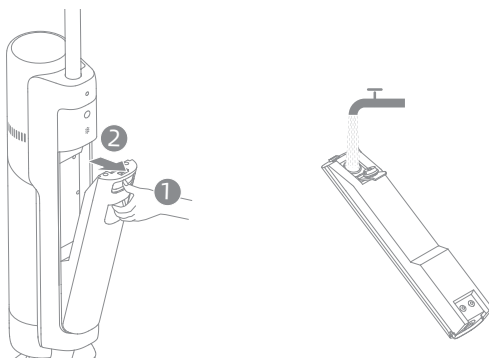


Modo de Succión

Si se selecciona el modo Succión, el aparato solo aspirará agua y el cepillo cilíndrico no se humedecerá. No sale agua del tanque de agua limpia.

Llene el tanque de agua limpia



pulse el botón de liberación del tanque de agua limpia para retirar el tanque. Abra la tapa del tanque y llénelo con agua limpia. Vuelva a instalar el tanque de agua limpia y asegúrese de que encaje en su lugar.

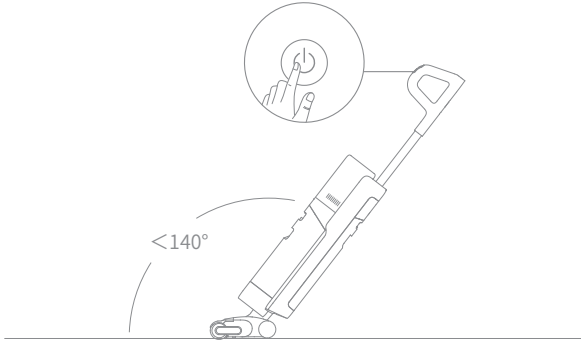


Nota :

- Para un mejor rendimiento de limpieza, se recomienda añadir 10ml de detergente con la tapa de la botella al tanque de agua limpia lleno, luego agitar el tanque suave y uniformemente para su uso.
- No agregue ningún líquido que no sea el detergente aprobado por Dreame. El detergente está disponible en la tienda en línea oficial.

Empezar a Limpiar

Pise suavemente la tapa del cepillo y recline el aparato hacia atrás. Presione el Interruptor de Alimentación  para comenzar a operar el aparato. Presione el  para cambiar entre el modo automático, el modo ultra y el modo de succión según sus necesidades.

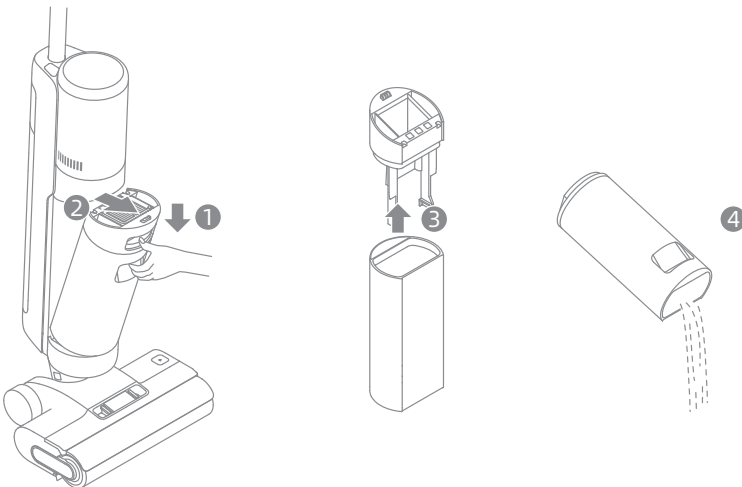


Nota :

- No lo use para aspirar líquidos espumosos.
- Si el aparato se encuentra en posición vertical mientras trabaja, la tarea actual se suspenderá.
- El aparato es adecuado para limpiar piso, mármol, baldosas y otras superficies duras.
- No recline el aparato hacia atrás a más de 140° para evitar fuga de agua.
- Cuando el aparato está funcionando, no lo levante del suelo, no lo mueva, no lo incline ni lo acueste. De hacerlo, puede que el agua usada fluya hacia el motor. Lorsque l'appareil est en marche, ne le soulevez pas du sol, ne le déplacez pas, ne l'inclinez pas et ne le posez pas à plat. Cela pourrait provoquer l'écoulement de l'eau sale dans le moteur.


Vacíe el tanque de agua usada

pulse el botón de liberación del tanque de agua usada para retirar el tanque. Retire la tapa del tanque y vierta el agua usada. Cierre la tapa del tanque y vuelva a instalar el tanque antes de usarlo.




Instrucción del Uso

Autolimpieza de Una Pulsación

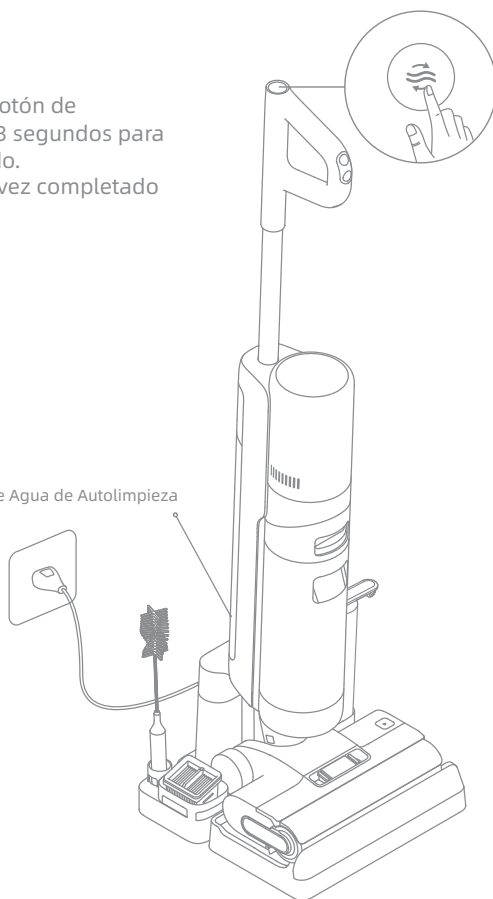
1. Después de que el aparato complete la tarea de limpieza, colóquelo nuevamente en la base y asegúrese de que el agua en el tanque de agua limpia sea suficiente para la autolimpieza.
2. Pulse brevemente el botón de autolimpieza en la parte superior del asa. El indicador de autolimpieza se iluminará y el aparato empezará la autolimpieza.
3. Vacíe el tanque de agua usada después de completar la autolimpieza y habilitar el modo de secado. Presione el botón  para salir del modo de secado.

Nota: La función de autolimpieza solo se puede habilitar cuando el aparato se está cargando y el nivel de la batería está superior al 15%.

Modo de Secado

1. Mantenga presionado el botón de autolimpieza  durante 3 segundos para habilitar el modo de secado.
2. El aparato se cargará una vez completado el secado.

Nivel Mínimo de Agua de Autolimpieza



Nota:

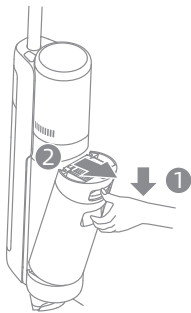
- Una vez finalizada la autolimpieza, limpie el tanque de agua usada inmediatamente. Limpie la base de carga si quedan manchas en la base.
- Si usted limpia el cepillo de rodillo manualmente, séquelo completamente al aire o séquelo utilizando el modo de secado varias veces para asegurar un buen efecto de secado.

Consejos :

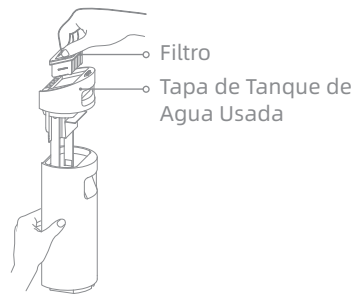
- Apague el aparato antes del mantenimiento. No toque el Interruptor de Alimentación.
- Las piezas deben ser reemplazadas si es necesario. Utilice solamente las piezas designadas por la fábrica original para evitar daños al producto por incompatibilidad.
- Si el aparato no se utiliza durante un período prolongado, cárguelo por completo, desenchufe el adaptador de corriente y guárdelo en un ambiente fresco y con poca humedad, lejos de la luz solar directa. Para evitar una descarga excesiva de la batería, cargue el aparato al menos una vez cada 3 meses.

Limpiar el Tanque de Agua Usada y el Filtro

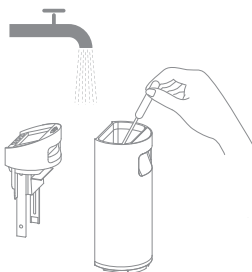
1. Pulse el botón de liberación del tanque de agua usada y retire el tanque de agua usada.



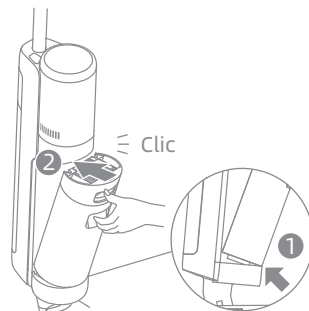
2. Retire el filtro de la tapa del tanque de agua usada. Retire la tapa del tanque y vierta el agua residual.



3. Enjuague el tanque de agua usada y su tapa con agua limpia. Limpie la pared interna del tanque con el cepillo provisto.



4. Cierre la tapa del tanque de agua usada, vuelva a instalar el tanque y asegúrese de que encaje en su lugar.



Nota:

- Si el filtro está sucio, enjuáguelo con agua limpia y séquelo completamente antes de utilizarlo nuevamente.
- Se recomienda reemplazar el filtro cada 3 a 6 meses.

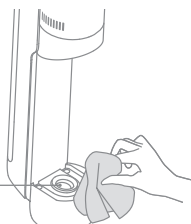
Cuidado y Mantenimiento

Limpeza del Tubo y del Sensor de Suciedad

Retire el tanque de agua usado, limpie el tubo y el sensor de suciedad con un paño húmedo antes de uso.

Nota: No enjuague el tubo ni el sensor de suciedad.

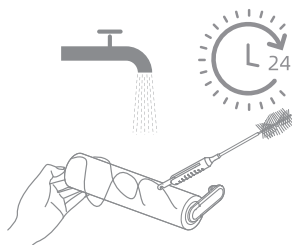
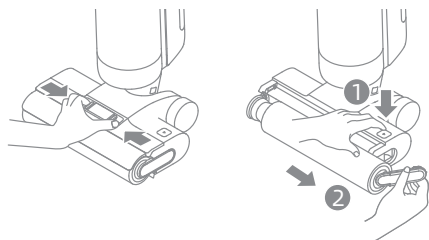
Sensor de Suciedad



Limpeza del Conjunto del Cepillo

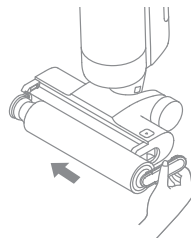
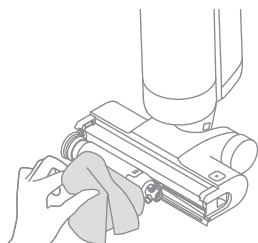
1. Primero, pulse los botones de liberación de la tapa del cepillo de rodillo hacia adentro en ambos lados para quitarle la tapa. A continuación, pulse el botón de liberación del cepillo de rodillo y el asa del cepillo de rodillo saldrá. Tire del asa para sacar el cepillo de rodillo.

2. Elimine los pelos y otros residuos enredados en el cepillo de rodillo con el cepillo de limpieza provisto. Enjuague el cepillo de rodillo con agua limpia. Seque bien el cepillo de rodillo al aire o con el modo de secado varias veces.



3. Limpie la entrada de succión con un paño seco o un pañuelo húmedo. No enjuague el conjunto del cepillo con agua.

4. Después de limpiar el cepillo de rodillo, vuelva a instalarlo y su tapa. Oirá un clic que indica que están instalados bien.



Nota:

- Limpiar según sea necesario. Se recomienda alternar el uso de los dos cepillos de rodillo provistos.
- Se recomienda reemplazar el cepillo de rodillo cada 3 a 6 meses.

Preguntas Más Frecuentes

Si se produce un error, el dispositivo dejará de funcionar. Consulte la siguiente tabla para resolver problemas. Si el problema persiste, póngase en contacto con el servicio de atención al cliente.

Error	Causa Posible	Soluciones
El aparato no funciona	El aparato no tiene batería o su nivel de batería es bajo	Cargue completamente su batería antes de usar
	El aparato está en posición vertical	Recline el aparato hacia atrás
	Modo de protección contra sobrecalentamiento habilitado por bloqueo	Elimine la obstrucción y espere hasta que la temperatura vuelva a la normalidad
	El tanque de agua usada está lleno	Vacíe el tanque de agua usada
	El asa, el cepillo de rodillo o el tanque de agua usada no está instalado correctamente	Asegúrese de que el asa, el cepillo de rodillo o el tanque de agua usada estén en su propio lugar correctamente
El aparato se carga lentamente	La temperatura de la batería está demasiado baja o demasiado alta	Espere hasta que la temperatura de la batería vuelva a la normalidad
La potencia de succión del aparato está débil	El filtro está obstruido	Limpieza del filtro
	La entrada o el tubo de succión está bloqueado por un objeto extraño	Limpie el tubo y la entrada de succión
El motor produce un ruido extraño	Hay demasiada agua sucia en el tanque de agua usada	Vacíe el tanque de agua usada
	La boquilla de succión principal está bloqueada	Elimine cualquier obstrucción en la boquilla de succión principal
El indicador de la concentración de suciedad está en rojo fijo	El sensor de suciedad necesita limpieza	El sensor de suciedad está en el tubo. Siga las instrucciones de limpieza del tubo
	La concentración del detergente está demasiado alta	Diluya el detergente con agua en la proporción recomendada
	Una solución de limpieza de terceros provocó una gran cantidad de espuma	Utilice únicamente el detergente aprobado por nosotros





Preguntas Más Frecuentes

El indicador de estado de la batería no se ilumina durante la carga	El cable de la base de carga no está enchufado a la toma de corriente	Asegúrese de que el cable de la base de carga esté enchufado
	El aparato no está colocado correctamente en la base de carga	Asegúrese de que el aparato esté colocado en la base de carga correctamente
No sale agua del aparato	El tanque de agua limpia no se ha instalado correctamente o está vacío	Reinstale o llene el tanque de agua limpia
	Se tarda 30 segundos en humedecer el cepillo giratorio	Encienda el aparato y verifique nuevamente en 30 segundos
Fuga de agua por la parte superior del tanque de agua sucia	Una colisión o un tirón brusco causa que entre agua en el motor	Muévalo suavemente al usar el aspirador
	El filtro no está completamente seco después de ser limpiado	Seque completamente el filtro antes de usarlo
Autolimpieza fracasó	El cepillo de rodillo puede estar bloqueado por partículas grandes	Abra la tapa del cepillo de rodillo para comprobar y limpiar el cepillo de rodillo
	El aparato no está colocado correctamente en la base de carga	Asegúrese de que el aparato se esté cargando antes de activar la función de autolimpieza
	La autolimpieza no se puede iniciar si el nivel de la batería está inferior al 15%	La función de autolimpieza sólo se puede activar cuando el aspirador está cargado y el nivel de la batería está superior al 15%
	El tanque de agua usada no está instalado correctamente o está lleno	Vuelva a instalar o vacíe el tanque de agua usada
	El tanque de agua limpia no se ha instalado correctamente o está vacío	Reinstale o llene el tanque de agua limpia
Rendimiento de secado deficiente o ruido extraño durante el secado	La salida de aire y la entrada de aire de la base de carga pueden estar bloqueadas	Verifique y elimine cualquier obstrucción de la salida de aire y la entrada de aire

Para servicios adicionales, póngase en contacto con nosotros a través de aftersales@dreame.tech
<https://global.dreame.tech>

Indicación de fallo

Si la aspiradora no funciona con normalidad, en la pantalla aparecerá un mensaje de error. Consulte la tabla siguiente para encontrar la solución al problema en función del mensaje de error.

Icono del error	Causa Posible	Soluciones
	Agua insuficiente en el tanque de agua limpia	Llene el tanque de agua limpia
	El Tanque de Agua Usada está lleno	Vacíe el tanque de agua usada
	Cepillo de rodillo bloqueado	Limpie el cepillo de rodillo con el cepillo de limpieza provisto
	Rodillo de cepillo no instalado	Instale el cepillo de rodillo
	Tubo Bloqueado	Compruebe si el filtro está obstruido. Como alternativa, limpie el tubo y el sensor de suciedad

Código de fallo	Causa Posible	Soluciones
E1-E7	Error	Reinicie el dispositivo para solucionar problemas. Si el problema persiste, póngase en contacto con el servicio de atención al cliente
H1-H6		
H7	Falla de batería	Comuníquese con el servicio de atención al cliente

ES Especificaciones

Aspirador en Seco y Húmedo			
Modelo	HHR25A	Tiempo de carga	aprox. 4,5 horas (incluido el secado)
		Tiempo de secado	1 hora
Voltaje nominal	21,6 V ===	Voltaje de carga	27 V ===
Potencia nominal	300 W	Capacidad del Tanque de Agua Usada	700 mL
		Capacidad de tanque de agua limpia	900 mL
Base de carga			
Modelo	HCB3		
Entrada	220-240 V~ 50/60 Hz 150 W	Salida	27V === 1,6 A

La puissance nominale de la base de charge est la puissance lorsque la fonction de séchage et la fonction de charge sont activées en même temps.

Extracción y Eliminación de Batería

La batería de iones de litio incorporada contiene sustancias que son peligrosas para el medio ambiente. Antes de desechar la batería, asegúrese de sean retiradas por técnicos calificados y que la desecho en una instalación de reciclaje adecuada.

- se debe quitar la batería del aparato antes de desecharlo;
- el aparato debe estar desconectado de la red de alimentación cuando se quita la batería;
- la batería debe desecharse de forma segura.

Guía de Extracción

1. Quite la pantalla de visualización girándola con una herramienta.
2. Quite los tornillos de la tapa de batería uno a uno y luego abra la tapa con las herramientas adecuadas.
3. Desconecte los terminales entre la batería y la placa PCB para quitar la batería.

PRECAUCIÓN:

- Antes de quitar la batería, desconecte la alimentación y agote la batería tanto como sea posible.
- Las baterías quitadas deben desecharse en una instalación de reciclaje adecuada.
- No las exponga a alta temperatura para evitar riesgos de explosión.
- En condiciones ásperas, es posible que gotee líquido de la batería. Si ocurre contacto, enjuague con agua y busque ayuda médica.

Información sobre RAEE



Todos los productos que llevan este símbolo son residuos de aparatos eléctricos y electrónicos (RAEE según la directiva 2012/19/UE) que no deben mezclarse con residuos domésticos sin clasificar. En su lugar, debe proteger la salud humana y el medio ambiente entregando sus equipos de desecho a un punto de recogida para el reciclaje de residuos de equipos eléctricos y electrónicos, designado por el gobierno o las autoridades locales. La eliminación y el reciclado correctos ayudarán a evitar posibles consecuencias negativas para el medio ambiente y la salud humana. Póngase en contacto con el instalador o con las autoridades locales para obtener más información sobre la ubicación y las condiciones de dichos puntos de recogida.

Меры предосторожности

Важные меры предосторожности Только для бытового использования

- Перед использованием внимательно прочтите данную инструкцию. Сохраните ее для дальнейшего использования в справочных целях.
- Во время использования электрических приборов необходимо всегда соблюдать базовые меры предосторожности, включая следующие:
- ПЕРЕД ИСПОЛЬЗОВАНИЕМ (ДАННОГО ПРИБОРА) ПРОЧИТИТЕ ВСЕ ИНСТРУКЦИИ. Нарушение предупреждений и инструкций может привести к поражению током, возгоранию или серьезным травмам.

ПРЕДУПРЕЖДЕНИЕ! Для снижения риска возгорания, поражения током или травм:

- Используйте прибор только согласно инструкциям в руководстве по эксплуатации. Используйте только аксессуары, рекомендованные производителем.
- Используйте прибор только в помещении и на таких нековровых поверхностях, как ПВХ, плитка, ламинат и др. Пылесос не должен проезжать по неплотным поверхностям либо вдоль краев ковров. Заклинивание щетки может привести к повреждению ремня раньше срока.
- Не допускается использование этого изделия детьми младше 8 лет, а также лицами с ограниченными физическими, сенсорными или умственными способностями или с ограниченным опытом или знаниями без присмотра родителя или опекуна для обеспечения безопасной эксплуатации и во избежание рисков. Не позволяйте детям осуществлять чистку и техническое обслуживание устройства без присмотра.
- Запрещается использовать для уборки полов легко воспламеняющиеся или горючие жидкости.
- Запрещается использовать прибор для уборки легко воспламеняющихся или горючих жидкостей, например бензина. Запрещается использовать в местах, где могут быть вышеуказанные жидкости.
- Запрещается погружать прибор в жидкость.
- Пластиковый защитный материал может быть опасен. Не храните его рядом с детьми во избежание удушья.
- Держите волосы, свободную одежду, пальцы и другие части тела на расстоянии от отверстий и движущихся деталей прибора и его аксессуаров.
- Используйте только официально одобренное чистящее средство для пола, как указано в руководстве по применению.
- Запрещается размещать предметы в отверстиях. Запрещается использовать прибор в случае засорения отверстия. Поддерживайте проходимость воздуха через отверстия и удаляйте пыль, ворсинки, волосы и другие элементы.
- Запрещается использовать прибор без установленных фильтров.
- Запрещается использовать прибор с поврежденными деталями (например, зарядной базой, кабелем и др.). Если деталь повреждена, необходимо выполнить ее замену у производителя, сервисного агента или другого квалифицированного персонала во избежание опасностей.
- Во время использования прибора уберите все шнуры питания с пола, так как в случае наезда на них может возникнуть опасность.

Меры предосторожности

- Не используйте пылесос для уборки токсичных веществ (например отбеливатель, аммиак, пятновыводитель и др.). Запрещается собирать с помощью пылесоса стекло, гвозди, болты, монеты и др.
- Запрещается использовать прибор в местах испарения масляной краски и других субстанций. Запрещается собирать горячие либо дымящиеся предметы, например сигареты, спички либо пепел.
- Запрещается тащить и нести базу для зарядки с помощью кабеля, а также использовать его в качестве ручки, прижимать его дверью или обматывать вокруг острых краев и углов.
- Выключайте прибор и отсоединяйте его от розетки, когда он не используется, перед очисткой, ремонтом или обслуживанием, а также перед подсоединением или отсоединением вращающейся щетки.
- Запрещается использовать поврежденный или модифицированный прибор. Испорченные либо модифицированные аккумуляторы могут вести себя непредсказуемо, что может вызвать возгорание, взрыв либо риск получения травм.
- Запрещается подвергать прибор воздействию огня либо высокой температуры. При контакте с огнем или при высокой температуре может произойти взрыв.
- Убедитесь, что прибор размещен на горизонтальной поверхности. Запрещается использовать прибор в аналогичной позиции, если роликовая щетка или ручка находятся не вертикально. Запрещается хранить прибор в месте с риском заморозки.
- Будьте предельно осторожны во время очистки лестницы.
- Не допускайте непреднамеренных запусков. Перед тем, как поднимать либо переносить прибор убедитесь, что выключатель находится в позиции ВЫКЛ. Перенос прибора с зажимом выключателя либо во включенном состоянии может привести к несчастным случаям.
- Выполняйте техобслуживание только с помощью квалифицированного персонала и используйте только идентичные детали для замены. Это позволит гарантировать безопасность изделия.
- Запрещается модифицировать либо чинить прибор способами, отличными от указанных в руководстве по использованию и уходу.
- Запрещается пытаться использовать прибор, если он был поврежден, подвергался падениям либо был оставлен на улице, падал в воду либо не работает надлежащим образом. Проводите ремонт в авторизованном сервисном центре.

Аккумулятор и зарядка

- Запрещается использовать прибор при экстремальной температуре (ниже 0°C или выше 40°C). Выполняйте зарядку прибора при температуре выше 0°C и ниже 40°C .
- Данное изделие предназначено только для домашнего использования.
- Для подзарядки прибора используйте только базу в комплекте. Разрешается использовать только зарядную базу HCB3.

Меры предосторожности

- Зарядная база для определенного прибора может создавать риски возгорания, если используется с другим прибором.
- Следуйте инструкциям по зарядке и не заряжайте прибор в среде с температурой выше указанной на аккумуляторе, так как это повышает риск возгорания.
- Выходные терминалы базы для зарядки не должны быть короткозамкнутыми. Запрещается использовать их с поврежденной базой для зарядки. Если прибор подвергся ударам, был поврежден, оставлен на улице, попал в воду либо не работает как следует, верните его в сервисный центр.
- Держите базу для зарядки вдали от нагретых поверхностей. Запрещается трогать разъем базы для зарядки и прибор влажными руками. Чтобы вытащить разъем базы для зарядки, возьмитесь за него, а не дергайте за кабель.
- В приборе установлены аккумуляторы, которые невозможно заменить.
- Меры предосторожности при хранении и транспортировке:
 - Продукт должен транспортироваться в упаковке. Не подвергайте продукт давлению или ударам во время транспортировки.
 - Пожалуйста, избегайте сильных столкновений во время транспортировки.
 - Не транспортируйте пылесос при температуре выше 50 °C или ниже -20 °C .
 - В случае краткосрочного хранения, например одного месяца, пылесос рекомендуется хранить при температуре от -20 °C до 50 °C и относительной влажности 60% ± 5%. В случае длительного хранения пылесос рекомендуется хранить при температуре окружающей среды от 0 °C до 40 °C .
 - Утилизируйте пылесос надлежащим образом. По окончании срока службы утилизируйте пылесос в соответствии с местными законами и нормативными актами страны/региона использования.
 - Правила и условия реализации: без ограничений.
 - Импортер продает этот продукт; информацию об импортере см. на упаковке.
 - Сведения об импортере и контактная информация отдела послепродажного обслуживания указаны на упаковке.
 - Дата изготовления: см. на упаковке
 - Срок службы: 3 года

НЕ ВЫБРАСЫВАЙТЕ РУКОВОДСТВО



оборудование класса II



задержка по времени миниатюра плавкая вставка где T 3,15A обозначает время/ток



съемный блок питания



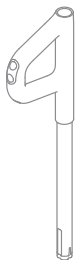
прочитать руководство по эксплуатации

Мы, компания Dreame Trading (Tianjin) Co., Ltd., настоящим заявляем, что данное изделие соответствует требованиям всех действующих директив ЕС и европейских стандартов со всеми изменениями и дополнениями. Полный текст декларации о соответствии нормативным требованиям ЕС доступен по адресу: <https://global.dreametech.com>

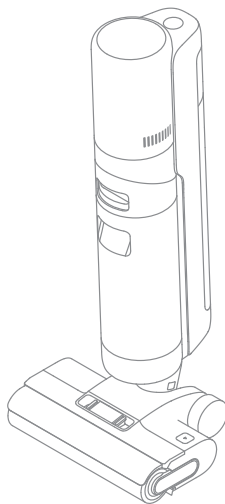
Подробное электронное руководство см. по адресу

Обзор изделия

Комплектация



Ручка



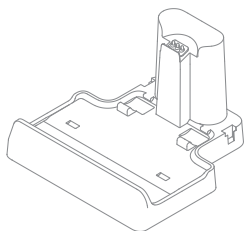
Корпус



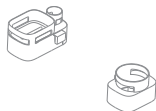
Сменный фильтр



Чистящая щетка



База для зарядки

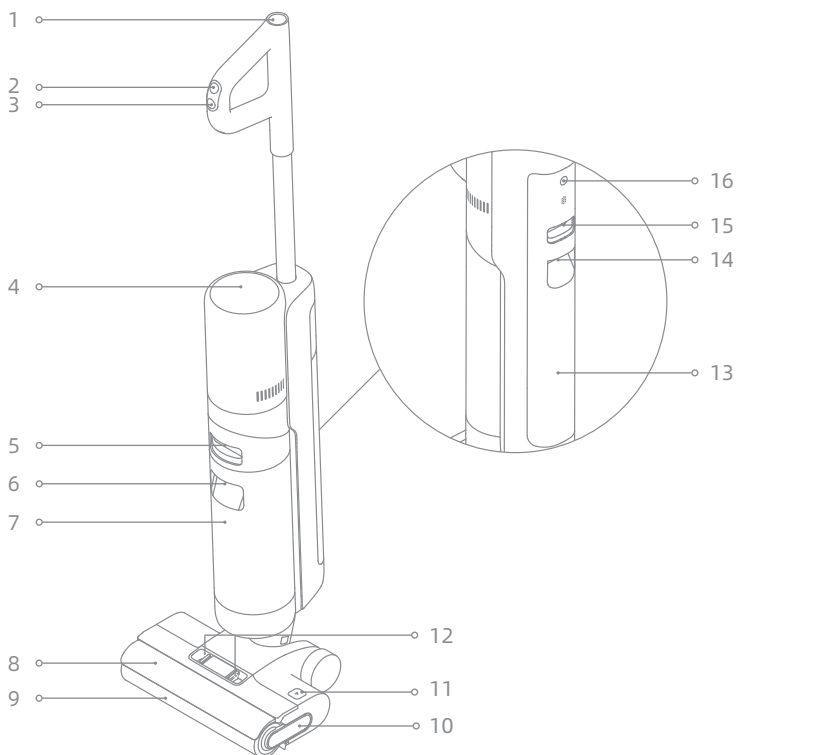


Хранилище



Запасная роликовая щетка

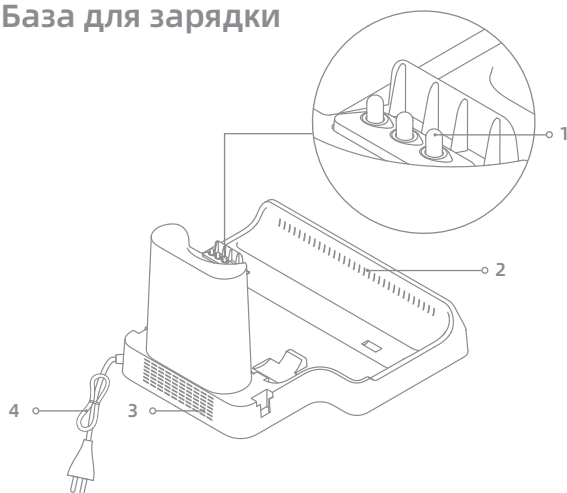
Сухая и влажная уборка



- | | | |
|---|---|---|
| 1 Кнопка самоочистки | 9 Роликовая щетка | 16 Кнопка голосовых напоминаний |
| 2 Переключатель режимов | 10 Ручка роликовой щетки | <ul style="list-style-type: none"> • Нажмите, чтобы активировать голосовое напоминание или отрегулировать громкость • Нажмите и удерживайте в течение 3 секунд, чтобы перейти в языковые настройки. Нажмите, чтобы переключить язык. Нажмите и удерживайте, чтобы подтвердить выбор |
| 3 Переключатель | 11 Кнопка отсоединения роликовой щетки | |
| 4 Дисплей | 12 Кнопки открытия крышки роликовой щетки | |
| 5 Кнопка отсоединения бака с отработанной водой | 13 Бак с чистой водой | |
| 6 Ручка бака с отработанной водой | 14 Ручка очистки бака с чистой водой | |
| 7 Бак с отработанной водой | 15 Кнопка очистки бака с чистой водой | |
| 8 Крышка роликовой щетки | | |

Обзор изделия

База для зарядки



- 1 Зарядные контакты
- 2 Выходное отверстие для воздушной просушки
- 3 Входное отверстие для воздушной просушки
- 4 Кабель питания

Дисплей



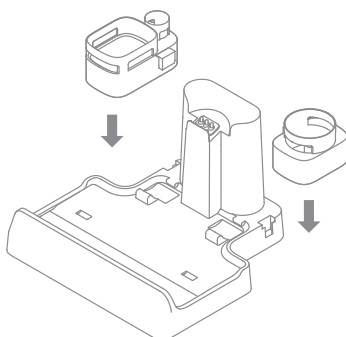
- | | | |
|----------------------------------|--|--|
| 1 Режим Ультра | 5 Сообщения об ошибках | 6 Режим просушки |
| 2 Режим Всасывание | В баке недостаточно чистой воды | 7 Автоматический режим |
| 3 Индикатор статуса аккумулятора | Бак с отработанной водой переполнен | 8 Индикатор концентрации загрязнений
Цвет кривой изменяется
вслед за уровнем скопившейся пыли в реальном времени |
| 4 Самоочистка | Трубка засорилась | |
| | Роликовая щетка заблокирована/Роликовая щетка не установлена | |

Примечание: Если прибор работает некорректно, на дисплее отобразится сообщение об ошибке. См. таблицу устранения неисправностей для поиска решения.

Установка

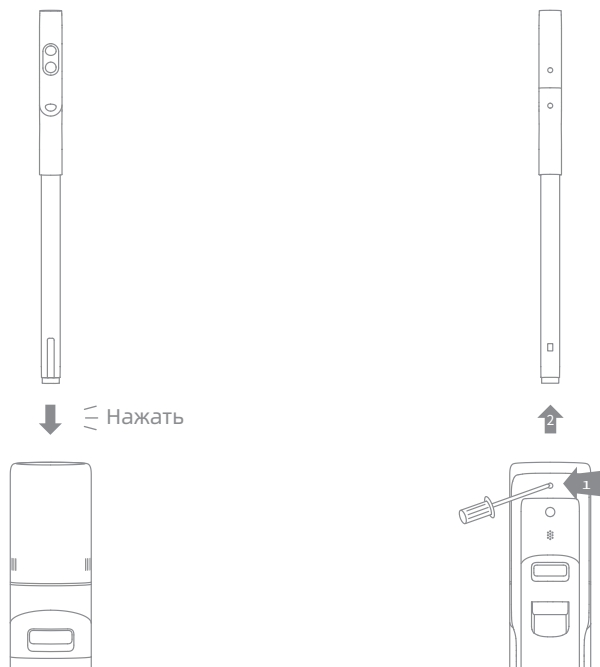
Установка хранилища

Установите хранилище на базе для зарядки как показано на схеме.



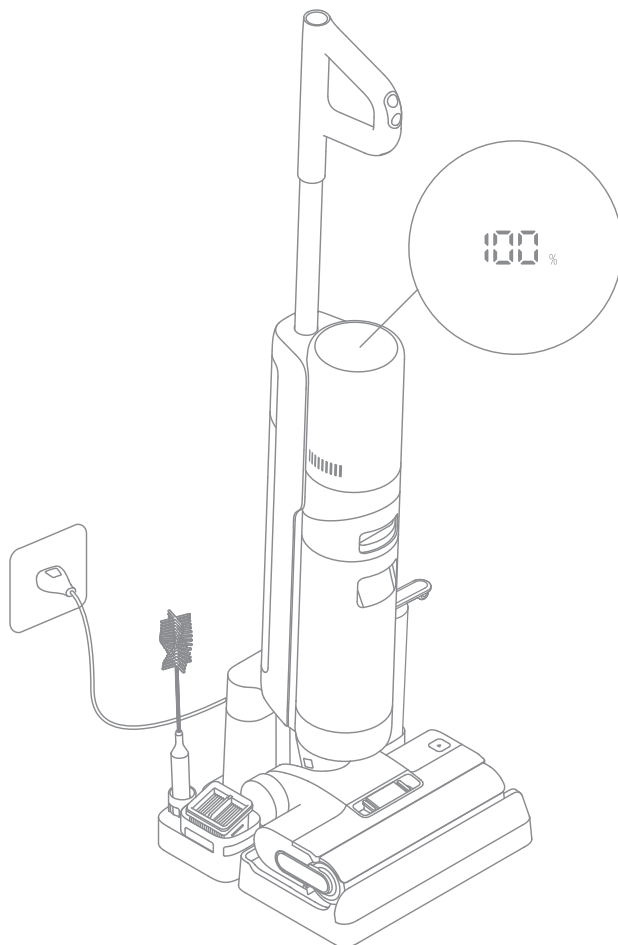
Установка ручки

Вставьте конец ручки в порт в верхней части пылесоса вертикально согласно инструкциям, пока не раздастся щелчок об окончании установки.



Примечание: Чтобы снять ручку, нажмите на контакт в отверстии задней части пылесоса и одновременно потяните ручку вверх.

1. Установите базу для зарядки на горизонтальной поверхности перпендикулярно стене и подключите ее к источнику питания. Перед тем как начать использовать прибор, полностью зарядите его.
2. Установите прибор на базу для зарядки. Прибор перейдет в режим подзарядки, когда появится голосовая команда «Начать подзарядку». В процессе подзарядки цифра на дисплее показывает текущий уровень заряда аккумулятора в процентах. Когда цифра достигнет 100, аккумулятор будет полностью заряжен.



Примечание:

- Если в течение 10 минут после полной зарядки пылесос не используется, он перейдет в спящий режим. Чтобы использовать прибор, перезагрузите его.
- С целью увеличения срока службы аккумулятор автоматически охлаждается в течение часа после длительного использования прибора.

Порядок использования

Рабочие режимы

Прибор по умолчанию включается в режиме Автоматический. При необходимости Вы можете переключиться на режим Всасывание или Ультра.



Автоматический режим

Во время влажной уборки пола прибор регулирует силу всасывания в зависимости от условий.



Режим Ультра

Подготовка режима Ультра, подождите 30 с. Этот режим подходит для тщательной уборки.

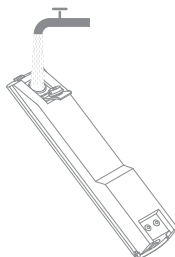
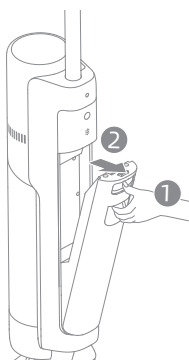


Режим Всасывание

Когда выбран режим Всасывание, прибор будет только всасывать жидкость и роликовая щетка не будет намочать. Из бака с чистой водой не поступает жидкость.

Заполните бак с чистой водой

Нажмите на кнопку отсоединения бака с чистой водой, чтобы извлечь бак. Откройте крышку и наполните бак чистой водой. Повторно установите бак с чистой водой на место так, чтобы раздался щелчок.





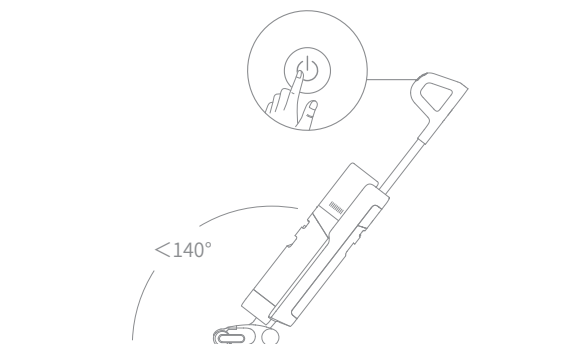
Примечание:

- Для повышения качества очистки рекомендуется добавить 10 мл чистящего средства в колпачке в наполненный бак с чистой водой, а затем аккуратно его встряхнуть равномерными движениями.
- Запрещается добавлять жидкости и чистящие средства, не одобренные к применению. Чистящее средство доступно в официальном онлайн-магазине.

Порядок использования

Начать уборку

Аккуратно наступите на крышку щетки и наклоните прибор назад. Нажмите на Переключатель , чтобы начать работу. Нажмите на переключатель режимов , чтобы переключить режимы Автоматический, Ультра и Всасывание по требованию.

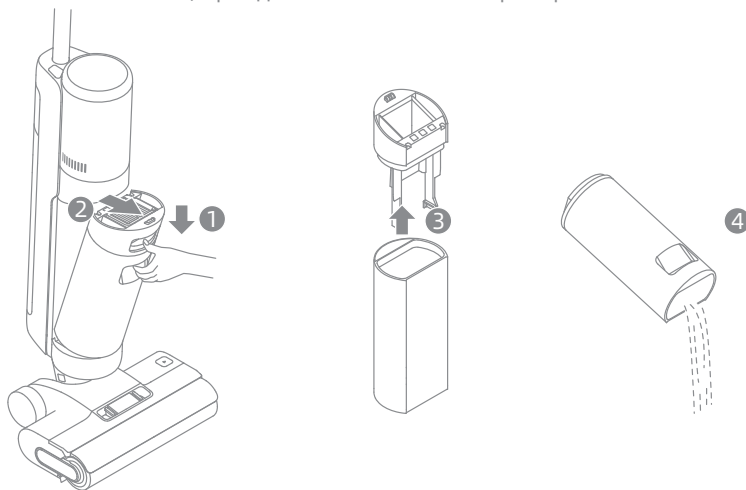


Примечание :

- Запрещается использовать для уборки пенящиеся жидкости.
- Если во время работы прибор перейдет в вертикальное положение, текущая задача будет приостановлена.
- Прибор подходит для очистки обычных полов, мрамора, кафельной плитки и других твердых поверхностей.
- Не наклоняйте прибор назад на угол более 140° для предотвращения протечки воды.
- Во время работы прибора запрещается его поднимать, перемещать, наклонять и размещать на поверхности горизонтально. Это может привести к попаданию отработанной воды в двигатель.


Удалите содержимое бака с отработанной водой

Нажмите на кнопку отсоединения бака с чистой водой, чтобы извлечь бак. Снимите крышку и вылейте отработанную воду. Закройте крышку бака и повторно установите бак на место, прежде чем использовать прибор.



Порядок использования

Самоочистка одним нажатием

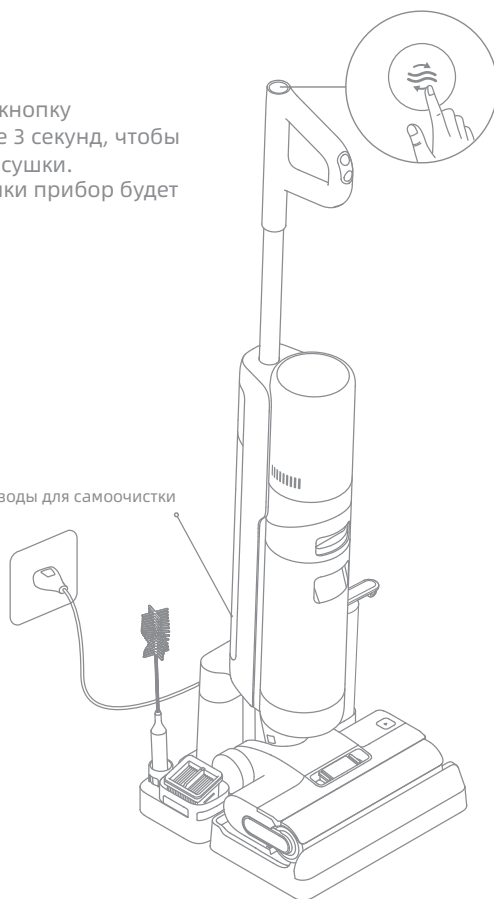
1. После того как прибор завершит задачу уборки, разместите его обратно на базу и убедитесь, что в баке с чистой водой достаточно жидкости для самоочистки.
2. Коснитесь кнопки самоочистки в верхней части ручки. Загорится индикатор самоочистки и прибор начнет самоочистку.
3. Удалите содержимое бака с отработанной водой после завершения самоочистки и начала режима просушки. Нажмите на кнопку , чтобы выйти из режима просушки.

Примечание. Функция самоочистки может быть включена, только если прибор заряжается и уровень заряда аккумулятора составляет более 15%.

Режим просушки

1. Нажмите и удерживайте кнопку самоочистки  в течение 3 секунд, чтобы активировать режим просушки.
2. После окончания просушки прибор будет заряжен.

Минимальный уровень воды для самоочистки



Примечание.

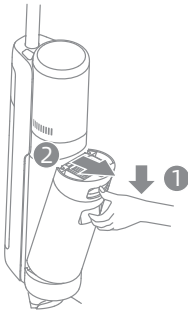
- После завершения самоочистки немедленно очистите бак с отработанной водой. Если на базе для зарядки останутся пятна, очистите ее.
- В случае очистки роликовой щетки вручную тщательно просушите ее в естественных условиях или просушите несколько раз в режиме просушки. Это улучшит качество просушки.

Инструкции:

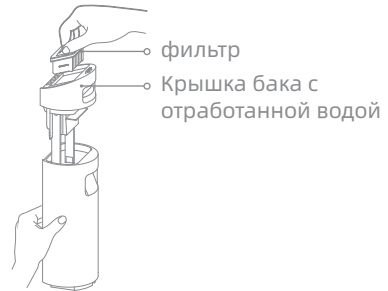
- Перед ремонтом выключите прибор. Не нажимайте переключатель.
- По необходимости может потребоваться заменить компоненты. Используйте компоненты, изготовленные на заводе-изготовителе во избежание повреждения изделия из-за несовместимости.
- Если прибор не используется продолжительное время, полностью зарядите его, отключите адаптер от источника питания и оставьте пылесос на хранение в прохладном месте с низкой влажностью вдали от прямых солнечных лучей. Во избежание глубокой разрядки аккумулятора проводите зарядку прибора минимум раз в 3 месяца.

Очистка бака с отработанной водой и фильтра

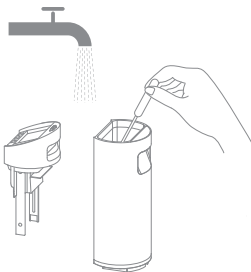
1. Нажмите на кнопку отсоединения бака с отработанной водой и извлеките бак.



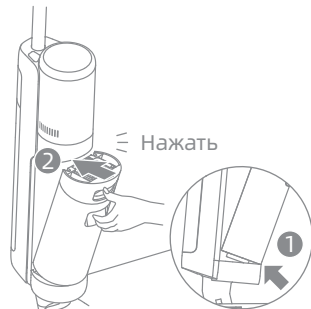
2. Извлеките фильтр из крышки бака с отработанной водой. Снимите крышку бака и вылейте отработанную воду.



3. Ополосните бак с отработанной водой и крышку чистой водой. Очистите внутренние стенки бака с помощью чистящей щетки в комплекте.



4. Закройте крышку бака с отработанной водой, повторно установите бак на место так, чтобы раздался щелчок.



Примечание.

- Если фильтр загрязнился, ополосните его чистой водой и полностью просушите, прежде чем продолжить использовать.
- Рекомендуется выполнять замену фильтра каждые 3-6 месяцев.

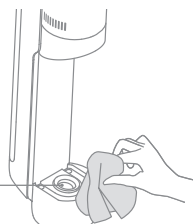
Ремонт и обслуживание

Очистка трубки и датчика загрязнения

Извлеките бак с отработанной водой, протрите трубку и датчик загрязнения влажным полотенцем перед использованием.

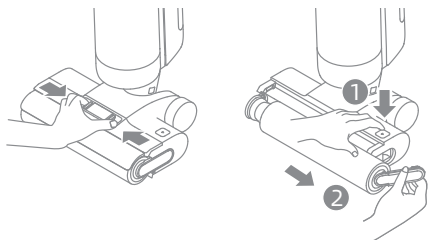
Примечание. Запрещается промывать трубку и датчик загрязнения.

Датчик загрязнения

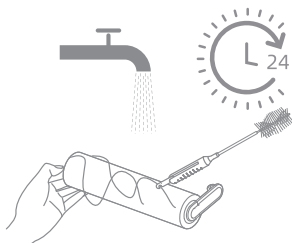


Очистка модуля щетки

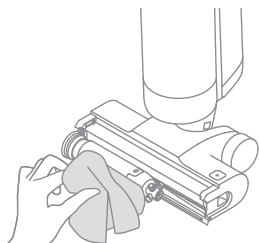
1. Сначала нажмите на кнопку открытия крышки роликовой щетки внутрь с обеих сторон, чтобы снять крышку. Затем нажмите на кнопку отсоединения роликовой щетки. Когда выпадет ручка роликовой щетки, потяните ее, чтобы извлечь щетку.



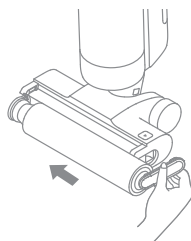
2. Удалите волосы и загрязнения, запутавшиеся в роликовой щетке, с помощью чистящей щетки в комплекте. Промойте роликовую щетку чистой водой и тщательно просушите ее естественным способом либо с помощью режима просушки несколько раз.



3. Протрите всасывающее отверстие с помощью сухого полотенца или влажной салфетки. Запрещается промывать модуль щетки водой.



4. После очистки роликовой щетки повторно установите щетку и крышку на место так, чтобы раздался щелчок.



Примечание.

- Выполняйте очистку согласно требованию. Рекомендуется поочередно использовать две роликовые щетки в комплекте.
- Рекомендуется выполнять замену роликовой щетки каждые 3-6 месяцев.

Вопросы и ответы

В случае возникновения ошибки прибор перестанет работать. Для устранения неисправностей см. таблицу ниже. Если проблема не будет устранена, свяжитесь со службой поддержки.

Ошибка	Возможная причина	Решение
Прибор не работает	Прибор разрядился или уровень заряда низкий	Полностью зарядите аккумулятор перед использованием
	Прибор находится в вертикальном положении	Наклоните прибор назад
	Из-за засорения активирован режим защиты от перегрева	Удалите блокирующие предметы и подождите, пока температура вернется в норму
	Бак с отработанной водой переполнен	Очистите бак с отработанной водой
	Ручка, роликовая щетка или бак с отработанной водой установлены корректно.	Убедитесь, что ручка, роликовая щетка или бак с отработанной водой установлены корректно
Прибор заряжается медленно	Температура аккумулятора слишком высокая или слишком низкая	Подождите, пока температура аккумулятора вернется к нормальному значению
Сила всасывания прибора слабая	Фильтр засорился	Очистка фильтра
	Во входное отверстие для всасывания или трубку попал посторонний предмет	Очистите трубку и всасывающее отверстие
Двигатель издает странный шум	В баке с отработанной водой скопилось слишком много жидкости	Очистите бак с отработанной водой
	Основное отверстие всасывания засорилось	Удалите предметы, блокирующие основное отверстие всасывания
Индикатор концентрации загрязнений постоянно горит красным	Необходимо очистить датчик загрязнения	Датчик загрязнения находится в трубке. Следуйте инструкциям по очистке трубки
	Концентрация чистящего средства слишком высокая	Разбавьте чистящее средство водой в рекомендованной пропорции

Вопросы и ответы

Индикатор концентрации загрязнений постоянно горит красным	Из-за стороннего чистящего средства образовалось много пены	Используйте только одобренное чистящее средство
Во время зарядки индикатор статуса аккумулятора не загорается	Кабель базы для зарядки не вставлен в электрическую розетку	Убедитесь, что кабель базы для зарядки подключен
	Прибор некорректно установлен на базе для зарядки	Убедитесь, что прибор корректно установлен на базе для зарядки
Из прибора не появляется вода	Бак с чистой водой установлен некорректно либо бак пустой	Повторно установите либо наполните бак с чистой водой
	Для намочания роликовой щетки требуется 30 секунд	Включите прибор и проверьте повторно через 30 секунд
Вода вытекает из бака для отработанной воды	Из-за удара или резкого движения вода попала в двигатель	Когда пылесос выключится, перемещайте его аккуратными движениями
	После очистки фильтр был просушен не полностью	Перед использованием тщательно просушите фильтр
Сбой самоочистки	Крупные частицы блокируют роликовую щетку	Откройте крышку роликовой щетки, проверьте и очистите ее
	Прибор некорректно установлен на базе для зарядки	Перед включением функции самоочистки убедитесь, что прибор заряжается
	Функция самоочистки не может быть включена, если уровень заряда аккумулятора ниже 15%	Функция самоочистки может быть включена, только если пылесос заряжен и уровень заряда аккумулятора составляет более 15%
	Бак с отработанной водой установлен некорректно или бак переполнен	Повторно установите бак с отработанной водой или вылейте содержимое
	Бак с чистой водой установлен некорректно либо бак пустой	Повторно установите или наполните бак с чистой водой
Плохое качество или странный звук при просушке	Входное и выходное отверстия для воздуха могли заблокироваться	Проверьте входное и выходное отверстия для воздуха и очистите

Для получения дополнительных услуг свяжитесь с нами по адресу aftersales@dreametech
<https://global.dreametech.com>

Устранение неисправностей

Если пылесос работает некорректно, на дисплее отобразится сообщение об ошибке. См. таблицу устранения неисправностей для поиска решения.

Значок ошибки	Возможная причина	Решение
	В баке недостаточно чистой воды	Наполните бак с чистой водой
	Бак с отработанной водой переполнен	Очистите бак с отработанной водой
	Роликовая щетка заблокирована	Очистите роликовую щетку с помощью чистящей щетки в комплекте
	Роликовая щетка не установлена	Установите роликовую щетку
	Трубка засорилась	Проверьте фильтр на наличие засорений. Также попробуйте очистить трубку и датчик загрязнения

Код устранения неисправностей	Возможная причина	Решение
E1-E7	Ошибка	Перезагрузите прибор, чтобы устранить неисправность. Если проблема не будет устранена, свяжитесь со службой поддержки
H1-H6		
H7	Ошибка аккумулятора	Свяжитесь со службой поддержки

Технические характеристики

Сухая и влажная уборка			
Модель	NHR25A	Время зарядки	ок. 4,5 часов (включая просушку)
		Время просушки	1 час
Номинальное напряжение	21,6 V ---	Напряжение зарядки	27 V ---
Номинальная мощность	300 W	Объем бака с отработанной водой	700 mL
		Объем бака с чистой водой	900 mL
База для зарядки			
Модель	НСВЗ		
Номинальная мощность	220-240V~ 50/60 Hz 150 W	Номинальная выходная мощность	27V --- 1,6 A

Номинальной мощностью базы для зарядки называется мощность при одновременном включении функций просушки и подзарядки.

Извлечение и утилизация аккумулятора

Встроенный литий-ионный аккумулятор содержит опасные для окружающей среды вещества. Аккумулятор должен быть извлечен квалифицированными техническими специалистами и утилизирован в приспособленном для этого месте.

- перед утилизацией аккумулятор необходимо извлечь из прибора;
- перед извлечением аккумулятора необходимо отключить прибор от источника энергии;
- аккумулятор необходимо утилизировать безопасным способом.

Инструкция по извлечению

1. Открутите дисплей с помощью инструмента.
2. По очереди извлеките винты из крышки аккумулятора и затем откройте крышку с помощью инструмента.
3. Отсоедините провода терминалов между аккумулятором и печатной платой и извлеките аккумулятор.

МЕРЫ ПРЕДОСТОРОЖНОСТИ:

- Перед извлечением аккумулятора отключите прибор от источника питания и максимально израсходуйте заряд аккумулятора.
- Ненужные аккумуляторы необходимо утилизировать в приспособленном для этого месте.
- Запрещается оставлять изделие при высокой температуре во избежание взрывов.
- В случае повреждения аккумулятора жидкость может вытечь. При соприкосновении с жидкостью промойте место контакта водой и обратитесь за медицинской помощью.

Информация об утилизации и переработке отходов электрического и электронного оборудования



Все изделия с символом раздельного сбора отработанного электрического и электронного оборудования (Директива WEEE 2012/19/EU) следует утилизировать отдельно от несортируемых бытовых отходов. С целью охраны здоровья и защиты окружающей среды такое оборудование необходимо сдавать на переработку в специальные пункты приема электрического и электронного оборудования, определенные правительством или местными органами власти. Правильная утилизация и переработка помогут предотвратить возможные негативные последствия для окружающей среды и здоровья человека. Для получения информации о местонахождении и порядке приема устройств в пунктах приема обратитесь в компанию, занимающуюся установкой оборудования, или в местные органы власти.

Informacje dot. bezpieczeństwa

Ważne instrukcje dot. bezpieczeństwa Wyłącznie do użytku domowego

- Przed użyciem należy uważnie przeczytać niniejszą instrukcję i zachować ją do wykorzystania w przyszłości.
- Podczas korzystania z urządzenia elektrycznego należy zawsze przestrzegać podstawowych środków ostrożności, w tym:
- **PRZED UŻYCIEM (TEGO URZĄDZENIA) NALEŻY ZAPOZNAĆ SIĘ ZE WSZYSTKIMI INSTRUKCJAMI.** Nieprzestrzeganie ostrzeżeń i instrukcji może spowodować porażenie prądem elektrycznym, pożar i/lub poważne obrażenia ciała.

OSTRZEŻENIE- Aby zmniejszyć ryzyko pożaru, porażenia elektrycznego lub obrażeń:

- Należy używać tylko w sposób opisany w niniejszej instrukcji obsługi. Należy używać części wyłącznie zalecanych przez producenta.
- Wyłącznie do użytku wewnątrz pomieszczeń, na powierzchniach podłogowych, takich jak: winyl, płytki, uszczelnione drewno itp. Należy uważać, aby nie przejechać przez luźne przedmioty lub krawędzie dywanów. Wstrzymanie szczotki może spowodować przedwczesną awarię pasa.
- Z produktu nie powinny korzystać dzieci poniżej 8 roku życia ani osoby z niedostatkami i fizycznymi, sensorycznymi, intelektualnymi lub ograniczonym doświadczeniem czy niewystarczającą wiedzą bez nadzoru rodzica lub opiekuna, aby zapewnić bezpieczną obsługę i uniknąć wszelkich zagrożeń. Dzieci nie powinny przeprowadzać czyszczenia i konserwacji bez nadzoru.
- Do czyszczenia podłóg nie należy używać łatwopalnych lub palnych cieczy.
- Nie należy używać do czyszczenia łatwopalnych lub palnych cieczy, takich jak benzyna. Nie używać w miejscach, w których mogą znajdować się łatwopalne lub palne ciecze.
- Nie należy zanurzać urządzenia w cieczy.
- Folia z tworzywa sztucznego może być niebezpieczna. Aby uniknąć niebezpieczeństwa uduszenia, trzymać z dala od dzieci.
- Włosy, luźne ubrania, palce i inne części ciała należy trzymać z daleka od otworów ssących i części ruchomych odkurzacza i jego akcesoriów.
- Używaj wyłącznie oficjalnie zatwierdzonego detergentu tak, jak opisano w instrukcji obsługi.
- Nie należy wkładać żadnych przedmiotów do otworów. Nie należy używać urządzenia, gdy jakikolwiek otwór jest zatkany; należy usunąć z niego kurz, kłaczki, włosy i wszystko, co może utrudniać przepływ powietrza.
- Nie należy używać bez prawidłowo zamontowanych filtrów.
- Nie należy używać urządzenia z uszkodzonymi elementami (np.: Podstawa ładująca, przewód zasilający itp.). Jeśli jakikolwiek element jest uszkodzony, musi zostać wymieniony przez producenta, autoryzowany serwis lub podobne wykwalifikowane osoby, aby uniknąć niebezpieczeństwa.

- Podczas korzystania z urządzenia należy trzymać kable uziemiające z dala od urządzenia. Kontakt urządzenia z kablem uziemiającym może powodować zagrożenia.
- Nie należy czyścić toksycznych materiałów (wybielacz, amoniak, środek czyszczący do kanalizacji itp.). Nie należy czyścić twardych ani ostrych przedmiotów, takich jak: szkło, gwoździe, śruby, monety, itp.
- Nie należy używać urządzenia w zamkniętym pomieszczeniu wypełnionym oparami farby olejnej, rozpuszczalnikiem, niektórymi substancjami zabezpieczającymi przez ćmami, łatwopalnymi pyłami lub innymi wybuchowymi lub toksycznymi oparami. Nie należy czyścić niczego, co się pali lub dymi, na przykład: papierosy, zapalniczki lub gorący popiół.
- Nie należy przenosić podstawy ładującej ciągnąc za kabel, używać kabla jako uchwytu, zamykać drzwi na kabel lub ciągnąc kabla wokół ostrych krawędzi lub rogów.
- Należy wyłączyć i odłączyć urządzenie, gdy nie jest używane, przed czyszczeniem, konserwacją lub serwisowaniem oraz przed podłączeniem lub odłączeniem ruchomej szczotki do urządzenia.
- Nie używać urządzenia, które jest uszkodzone lub zmodyfikowane. Uszkodzone lub zmodyfikowane baterie mogą wykazywać nieprzewidywalne zachowanie powodujące pożar, wybuch lub ryzyko obrażeń.
- Nie należy wystawiać urządzenia na działanie ognia lub nadmiernej temperatury. Narażenie na działanie ognia lub nadmiernej temperatury może spowodować eksplozję.
- Należy upewnić się, że urządzenie jest umieszczone na poziomej powierzchni. Nie używać urządzenia w tej samej pozycji, jeśli urządzenie jest wyposażone w szczotkę rolkową, a uchwyt nie jest całkowicie pionowy. Nie przechowywać urządzenia w miejscu, w którym może zamarznąć.
- Należy zachować szczególną ostrożność podczas czyszczenia schodów.
- Należy zapobiegać niezamierzonemu uruchomieniu urządzenia. Przed podniesieniem lub przeniesieniem urządzenia należy upewnić się, że przelącznik zasilania znajduje się w pozycji OFF. Noszenie urządzenia z palcem na przelączniku lub urządzeniu energetyzującym, które ma włączony przelącznik zasilania, prowadzi do wypadków.
- Serwis naprawczy powinien być wykonywany wyłącznie przez wykwalifikowaną osobę używającą tylko identycznych części zamiennych. Zapewni to utrzymanie bezpieczeństwa produktu.
- Nie należy modyfikować ani podejmować prób naprawy urządzenia, z wyjątkiem przypadków wskazanych w instrukcjach Pielęgnacji i Konserwacji.
- Jeśli urządzenie zostało upuszczone, uszkodzone, pozostawione na zewnątrz, wrzucone do wody lub nie działa tak, jak powinno, nigdy nie należy go ponownie obsługiwać. Należy niezwłocznie udać się do autoryzowanego centrum serwisowego w celach naprawczych.

Informacje dot. bezpieczeństwa

Akumulator i ładowanie

- Nie używaj urządzenia w bardzo gorącym lub zimnym środowisku (poniżej 0 °C / 32° F lub powyżej 40°C / 104°F). Urządzenie należy ładować w temperaturze powyżej 0°C / 32°F i poniżej 40°C / 104°F).
- W celu naładowania urządzenia należy używać wyłącznie podstawy ładującej dostarczonej z tym urządzeniem. Należy używać tylko podstawy ładującej HCB3.
- Podstawa ładująca, odpowiednia dla jednego typu urządzeń, może stwarzać ryzyko pożaru, gdy jest używana z innym urządzeniem.
- Należy przestrzegać wszystkich instrukcji dotyczących ładowania i nie należy ładować urządzenia poza zakresem temperatur podanym na baterii, ponieważ zwiększa to ryzyko pożaru.
- Zaciski wyjściowe podstawy ładującej nie powinny być zwarte. Nie należy używać urządzenia z uszkodzoną podstawą ładującą. Jeśli urządzenie zostało upuszczone, uszkodzone, pozostawione na zewnątrz, wrzucone do wody lub nie działa tak, jak powinno, należy oddać je do serwisu.
- Kabel podstawy ładującej należy trzymać z dala od rozgrzanych powierzchni. Nie należy dotykać wtyczki podstawy ładującej ani urządzenia mokrymi rękami. Aby odłączyć urządzenie, należy chwycić za wtyczkę podstawy ładującej, a nie za kabel.
- To urządzenie zawiera baterie, które są niewymienne.

ZACHOWAJ TĘ INSTRUKCJE



wyposażenie klasy II



opóźnienie czasowe miniatura bezpiecznik gdy T 3,15A jest symbolem stosunku czasu do ładunku elektrycznego



odłączana jednostka zasilająca



przeczytaj instrukcję obsługi

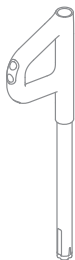
My, Dreame Trading (Tianjin) Co. Ltd., niniejszym oświadczamy, że sprzęt ten jest zgodny z obowiązującymi dyrektywami i normami europejskimi oraz ich poprawkami. Pełny tekst deklaracji zgodności UE jest dostępny pod następującym adresem internetowym: <https://global.dreametech.com>

Szczegółową elektroniczną instrukcję obsługi można znaleźć na stronie <https://global.dreametech.com/pages/user-manuals-and-faq>

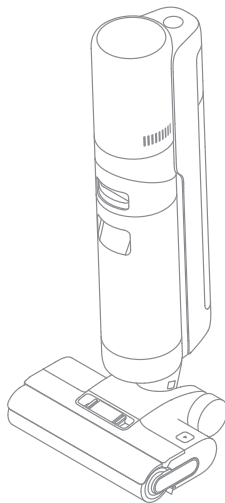
Opis produktu

PL

Lista opakowania



Uchwyt



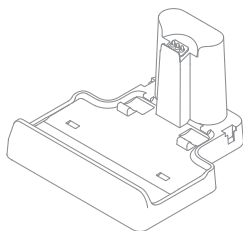
Korpus główny



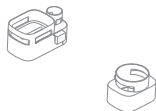
Wymienny filtr



Szczotka czyszcząca



Podstawa ładująca

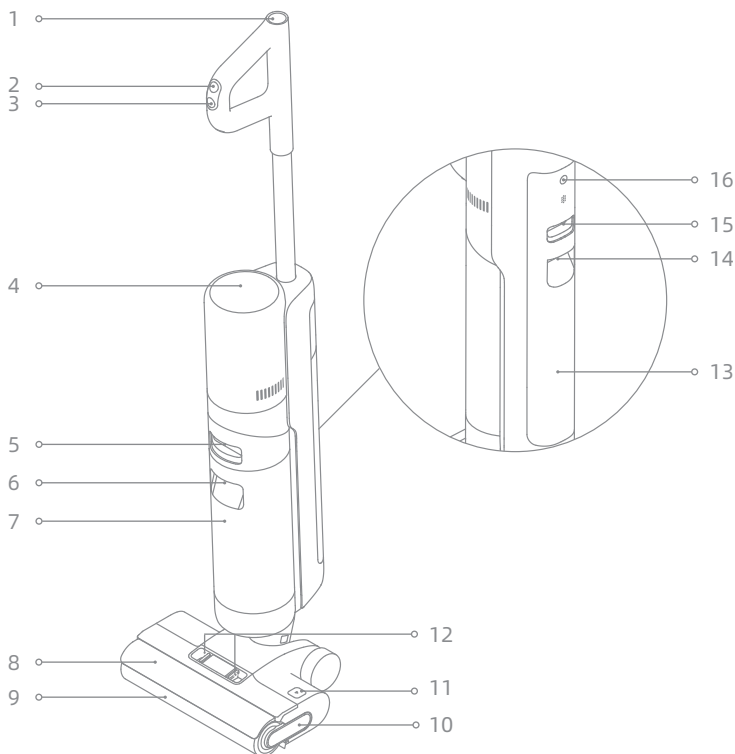


Pojemnik do przechowywania



Zapasowa szczotka rolkowa

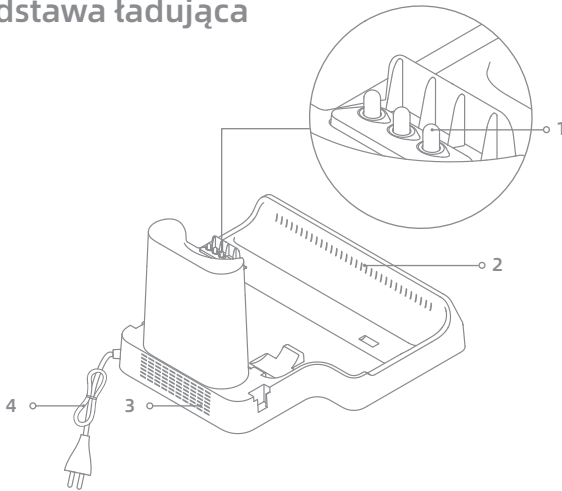
Odkurzacz czyszczący na mokro i sucho



- | | | |
|--|--|--|
| <p>1 Przycisk funkcji samooczyszczania</p> <p>2 Przełącznik trybu pracy</p> <p>3 Przycisk zasilania</p> <p>4 Ekran wyświetlacza</p> <p>5 Przycisk zwalnający zbiornik na brudną wodę</p> <p>6 Uchwyt zbiornika na brudną wodę</p> <p>7 Zbiornik na brudną wodę</p> <p>8 Pokrywa szczotki rolkowej</p> | <p>9 Szczotka rolkowa</p> <p>10 Uchwyt szczotki rolkowej</p> <p>11 Przycisk zwalnający szczotki rolkowej</p> <p>12 Przyciski zwalnające pokrywę szczotki rolkowej</p> <p>13 Réservoir d'Eau Propre</p> <p>14 Uchwyt zbiornika na czystą wodę</p> | <p>15 Przycisk zwalniania zbiornika na czystą wodę</p> <p>16 Przycisk komunikatu głosowego</p> <ul style="list-style-type: none"> • Należy nacisnąć krótko, aby aktywować komunikaty głosowe lub regulować głośność • Naciśnij i przytrzymaj przez 3 sekundy, aby uzyskać dostęp do ustawień języka. Naciśnij, aby przełączać między językami. Naciśnij i przytrzymaj, aby potwierdzić wybór |
|--|--|--|

Opis produktu

Podstawa ładująca



- 1 Styki ładowania
- 2 Wylot suszenia
- 3 Wlot suszenia
- 4 Przewód zasilający

Ekran wyświetlacza

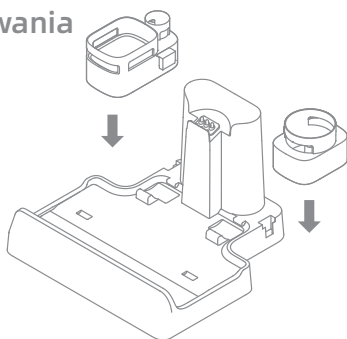


- 1 Tryb Ultra
- 2 Tryb ssania
- 3 Wskaźnik stanu baterii
- 4 Samooczyszczanie
- 5 Komunikaty o błędach
 - Niewystarczająca ilość wody w zbiorniku na czystą wodę
 - Zbiornik na brudną wodę jest pełny
 - Zablokowana rura
 - Zakleszczona szczotka rolkowa/Szczotka rolkowa nie jest zamontowana
- 6 Tryb suszenia
- 7 Tryb automatyczny
- 8 Wskaźnik stężenia zanieczyszczeń
Kolor krzywej zmienia się wraz z ilością kurzu

Uwaga : Jeśli urządzenie nie działa prawidłowo, na ekranie zostanie wyświetlony komunikat o błędzie. Aby znaleźć rozwiązanie, zapoznaj się z tabelą rozwiązywania problemów.

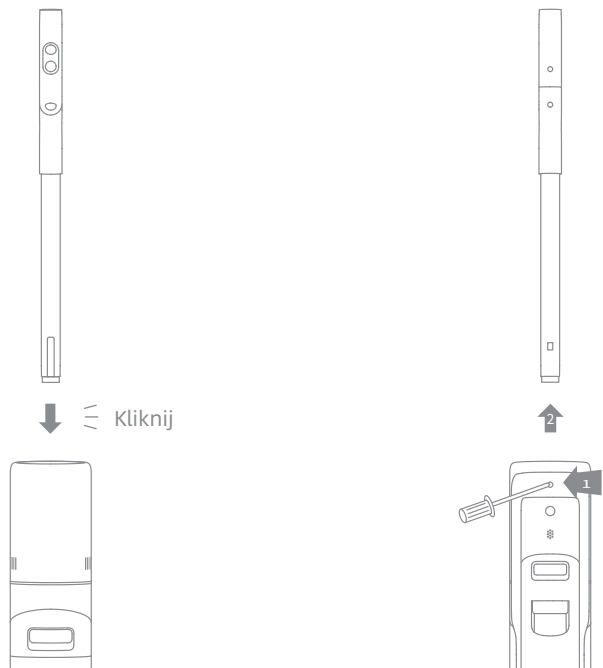
Montowanie pojemnika do przechowywania

Zamontuj pojemnik do przechowywania na podstawę ładującą w sposób przedstawiony na rysunku.



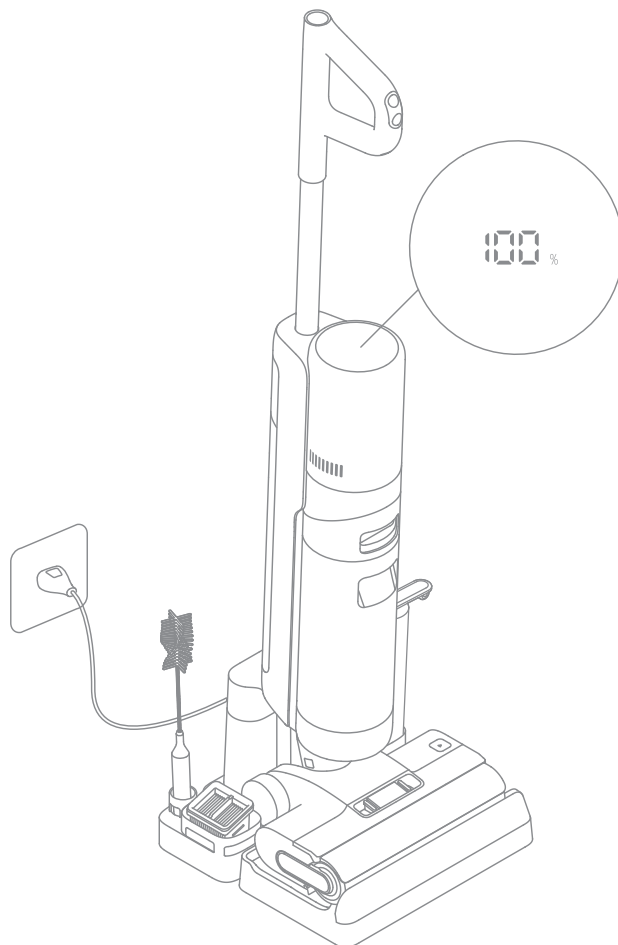
Montaż i demontaż uchwyty

Należy włożyć koniec części uchwyty pionowo do portu w górnej części odkurzacza, w kierunku wskazanych na rysunku. Montaż zostanie zakończony po usłyszeniu odgłosu kliknięcia.



Uwaga: W przypadku demontażu należy użyć twardego przedmiotu, aby wcisnąć styk w dziurze z tyłu odkurzacza, jednocześnie ciągnąc uchwyt ku górze.

1. Umieść podstawę ładującą przy ścianie na równym podłożu i podłącz ją do źródła zasilania. Przed pierwszym użyciem całkowicie naładuj urządzenie.
2. Umieścić urządzenie na podstawie ładującej. Po wyświetleniu komunikatu głosowego "Rozpocznij ładowanie", urządzenie aktywuje tryb ładowania. Podczas ładowania, liczba na ekranie wyświetlacza przedstawia aktualny poziom baterii w procentach. Gdy liczba osiągnie 100, bateria jest w pełni naładowana.



Uwaga:

- Jeśli w ciągu 10 minut od pełnego naładowania nie zostanie wykonana żadna czynność, odkurzacz przejdzie w tryb uśpienia. Przed ponownym użyciem należy ponownie uruchomić urządzenie.
- Aby przedłużyć żywotność baterii, po dłuższym użytkowaniu urządzenia bateria jest automatycznie schładzana przez około godzinę.

Sposób użytkowania

Tryby pracy

Urządzenie domyślnie uruchomi się w trybie automatycznym. Możesz przełączyć się na tryb ssania lub tryb ultra w zależności od potrzeb.



Tryb automatyczny

Podczas mycia podłogi urządzenie może dostosować siłę ssania do różnych sytuacji.



Tryb ultra

Tryb ultra w trakcie przygotowywania. Należy poczekać 30 sekund.

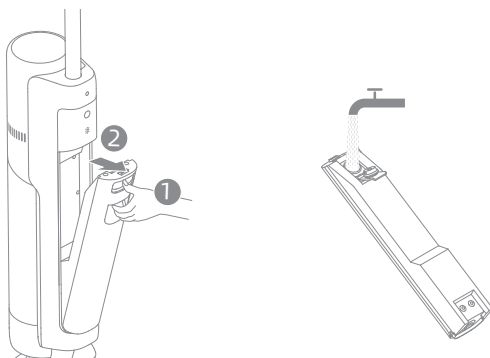


Tryb ssania

Po wybraniu trybu ssania urządzenie będzie czyścić za pomocą wody, a szczotka rolkowa nie będzie zwilżana. Ze zbiornika na czystą wodę nie wypływa woda.

Napełnij zbiornik na czystą wodę



Naciśnij przycisk zwalniający zbiornik na czystą wodę, aby wyjąć zbiornik. Otwórz pokrywę zbiornika i napełnij zbiornik czystą wodą. Ponownie zamontuj zbiornik na czystą wodę i upewnij się, że zatrzasnął się we właściwym miejscu.

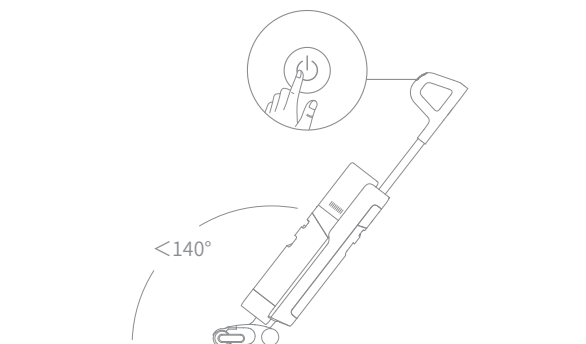


Uwaga :

- Aby uzyskać lepszą skuteczność czyszczenia, zaleca się dodanie 10 ml detergentu za pomocą nakrętki butelki do pełnego zbiornika na czystą wodę, a następnie delikatne i równomierne potrząśnięcie w celu użycia.
- Nie dodawaj żadnych płynów innych niż oficjalnie zatwierdzony detergent. Detergent jest dostępny w sprzedaży w oficjalnym sklepie internetowym.

Rozpoczęcie czyszczenia

Delikatnie nadepnij na ostonę szczotki i odchyl urządzenie do tyłu. Naciśnij przełącznik zasilania , aby rozpocząć. Naciśnij przycisk , aby w zależności od potrzeb przełączyć się pomiędzy trybem automatycznym - trybem ultra - trybem ssania.

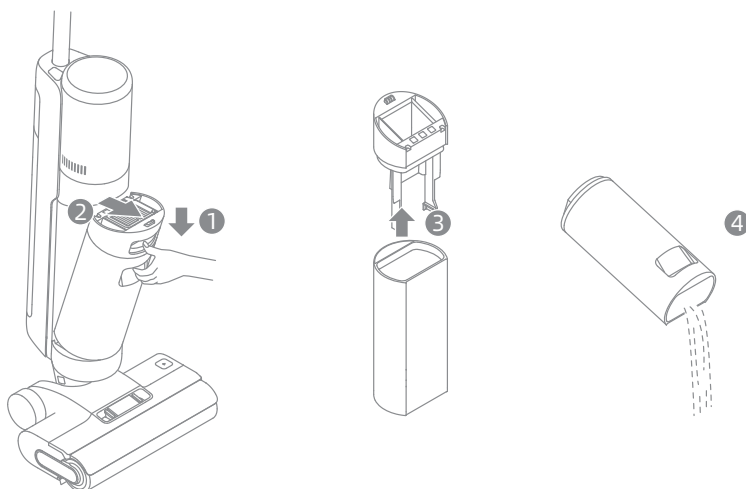


Uwaga :

- Nie należy używać odkurzacza do odkurzania spienionych płynów.
- Jeżeli podczas pracy urządzenie znajduje się w pozycji pionowej, bieżące zadanie zostanie zawieszona.
- Urządzenie jest odpowiednie do czyszczenia podłóg, marmuru, płytek i innych twardych powierzchni.
- Nie odchylaj urządzenia do tyłu o więcej niż 140°, aby zapobiec wyciekowi wody z urządzenia.
- Podczas pracy urządzenia nie należy go podnosić, przenosić, przechylać ani kłaść płasko. Może to spowodować przedostanie się brudnej wody do silnika.


Opróżnij zbiornik na brudną wodę

Naciśnij przycisk zwalnający zbiornik na brudną wodę, aby wyjąć zbiornik. Zdejmij pokrywę zbiornika i wylej brudną wodę. Zamknij pokrywę zbiornika i ponownie zamontować zbiornik przed użyciem.




Sposób użytkowania

Samooczyszczanie za pomocą jednego przycisku

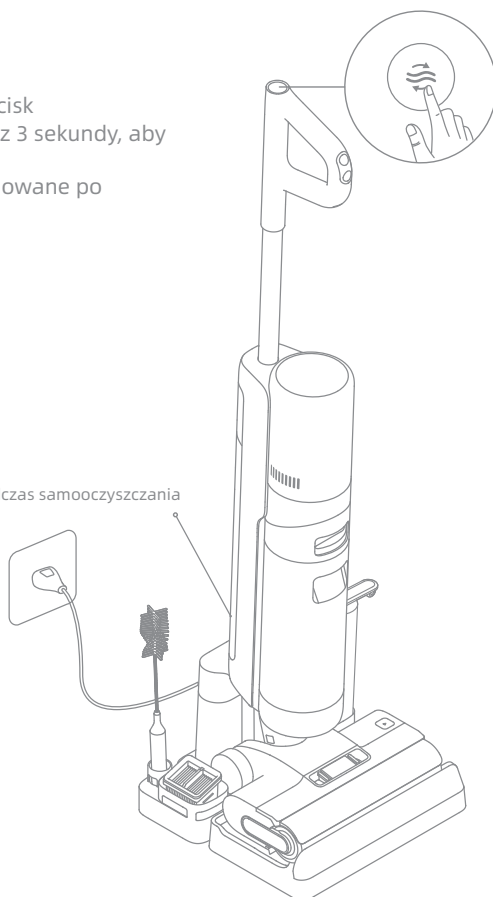
1. Po zakończeniu czyszczenia urządzenia należy umieścić je z powrotem na podstawie i upewnić się, że ilość wody w zbiorniku na czystą wodę jest wystarczająca do przeprowadzenia samooczyszczania.
2. Naciśnij krótko przycisk samooczyszczania na górnej części uchwytu. Zapali się wskaźnik samooczyszczania i urządzenie rozpocznie samooczyszczanie.
3. Należy opróżnić zbiornik na brudną wodę po zakończeniu samooczyszczania i włączeniu trybu suszenia. Wciśnij przycisk , aby wyjść z trybu suszenia.

Uwaga: Funkcja samooczyszczania może być włączona tylko wtedy, gdy urządzenie jest ładowane, a poziom naładowania baterii wynosi ponad 15%.

Tryb suszenia

1. Naciśnij i przytrzymaj przycisk samooczyszczania  przez 3 sekundy, aby aktywować tryb suszenia.
2. Urządzenie zostanie naładowane po zakończeniu suszenia.

Minimalny poziom wody podczas samooczyszczania



Uwaga:

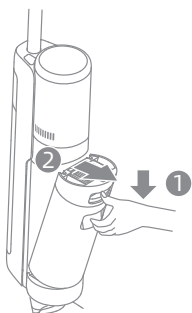
- Po zakończeniu samooczyszczania należy niezwłocznie wyczyścić zbiornik na brudną wodę. Należy wyczyścić podstawę ładowającą, jeśli pozostały na niej plamy.
- W przypadku ręcznego czyszczenia szczotki rolkowej, należy ją dokładnie wysuszyć na świeżym powietrzu lub kilkukrotnie użyć trybu suszenia, aby zapewnić całkowite osuszenie.

Wskazówki :

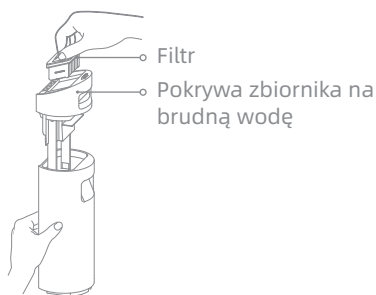
- Przed przystąpieniem do konserwacji należy wyłączyć urządzenie. Nie należy dotykać przetąacza zasilania.
- Części muszą zostać wymienione, jeśli zajdzie taka konieczność. Należy używać wyłącznie oryginalnych części, aby uniknąć uszkodzenia produktu z powodu nieprzydatności.
- Jeżeli urządzenie nie będzie używane przez dłuższy czas, nataduj je do pełna, odłącz zasilacz i przechowuj urządzenie w chłodnym miejscu o niskiej wilgotności, z dala od bezpośredniego światła słonecznego. Aby uniknąć nadmiernego rozładowania baterii, należy ładować urządzenie co najmniej raz na 3 miesiące.

Czyszczenie zbiornika na brudną wodę i filtr

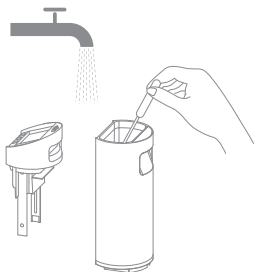
1. Naciśnij przycisk zwalniający zbiornik na brudną wodę i wyjmij zbiornik na brudną wodę.



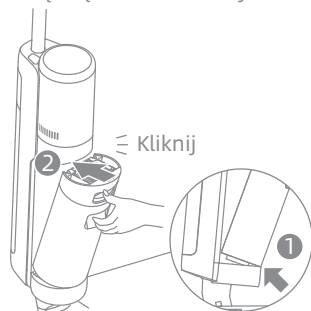
2. Wyjmij filtr z pokrywy zbiornika na brudną wodę. Zdejmij pokrywę zbiornika i wylej ścieki.



3. Wypłukaj zbiornik na brudną wodę i pokrywę zbiornika czystą wodą. Wyczyść wewnętrzną ściankę zbiornika za pomocą dotychczasowej szczotki czyszczącej.



4. Zamknij pokrywę zbiornika na brudną wodę, ponownie zamontuj zbiornik na brudną wodę i upewnij się, że zbiornik zatrzasnął się w swoim miejscu.



Uwaga:

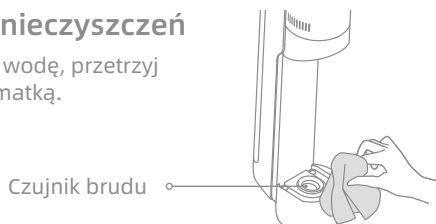
- Jeśli filtr jest zabrudzony, należy go opłukać czystą wodą i całkowicie wysuszyć przed użyciem.
- Zaleca się wymianę filtra co 3-6 miesięcy.

Pielęgnacja i konserwacja

Czyszczenie rury i czujnika zanieczyszczeń

Przed użyciem wyjmij zbiornik na brudną wodę, przetrzyj rurę i czujnik zanieczyszczeń wilgotną szmatką.

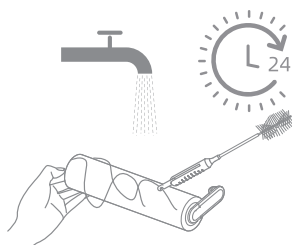
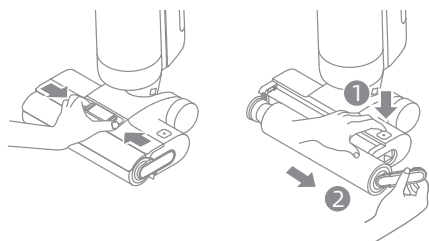
Uwaga: Nie należy optukiwać pod wodą rury ani czujnika zanieczyszczeń.



Czyszczenie zespołu szczotek

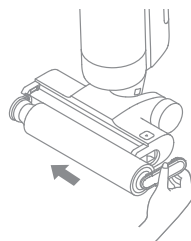
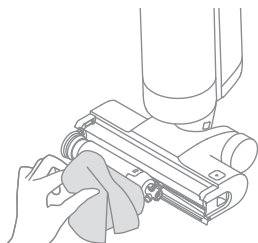
1. Najpierw naciśnij przyciski zwalnające pokrywę szczotki rolkowej do wewnątrz po obu stronach, aby zdjąć pokrywę. Następnie naciśnij przycisk zwalnający szczotkę rolkową, a uchwyt odskoczy. Pociągnij za uchwyt, aby wyjąć szczotkę rolkową.

2. Usuń włosy i zanieczyszczenia zaplątane na szczotce rolkowej za pomocą dołączonej szczotki czyszczącej. Optucz szczotkę rolkową czystą wodą. Dokładnie wysusz szczotkę rolkową na powietrzu lub włączając kilkakrotnie tryb suszenia.



3. Wytrzyj wlot ssący suchą szmatką lub wilgotną chusteczką. Nie optukiwać zespołu szczotki wodą.

4. Po wyczyszczeniu szczotki rolkowej należy ponownie zamontować szczotkę rolkową i jej osłonę. Ustyszysz kliknięcie oznaczające, że zostały one zamontowane na swoim miejscu.



Uwaga:

- Czyścić w zależności od potrzeb. Zaleca się naprzemienne korzystanie z dwóch dostarczonych włók szczotkowych.
- Zaleca się wymianę włoka szczotkowego co 3 do 6 miesięcy.

Najczęściej zadawane pytania

Jeśli wystąpi błąd, urządzenie przestanie działać. W celu rozwiązania problemu zapoznaj się z poniższą tabelą. Jeśli problem nadal występuje, skontaktuj się z działem obsługi klienta.

Błąd	Możliwe przyczyny	Rozwiązanie
Urządzenie nie działa	W urządzeniu wyczerpała się bateria lub poziom baterii jest niski	Przed użyciem w pełni naładuj baterię
	Urządzenie jest ustawione w pozycji pionowej	Odchyl urządzenie do tyłu
	Blokada aktywowała tryb ochrony przed przegrzaniem	Usuń blokadę i poczekaj, aż temperatura wróci do normalnego poziomu
	Zbiornik na brudną wodę jest pełny	Opróżnij zbiornik na brudną wodę
	Uchwyt, szczotka rolkowa lub zbiornik na brudną wodę nie jest poprawnie zamontowany.	Upewnij się, że uchwyt, szczotka rolkowa lub zbiornik na brudną wodę są poprawnie zamontowane
Urządzenie tądaje się powoli	Temperatura baterii jest zbyt niska lub zbyt wysoka	Poczekaj, aż temperatura baterii powróci do normalnego stanu
Siła ssania urządzenia jest słaba	Filtr jest zatkany	Czyszczenie filtra
	Wlot ssania lub rura zostały zablokowane przez ciało obce	Wyczyść rurę i wlot ssący
Silnik wydaje dziwny dźwięk	W zbiorniku na brudną wodę znajduje się zbyt dużo brudnej wody	Opróżnij zbiornik na brudną wodę
	Główny otwór ssący jest zablokowany	Należy oczyścić wszelkie ciała obce z głównego otworu ssącego
Wskaźnik stężenia zanieczyszczeń ma kolor czerwony	Należy wyczyścić czujnik zanieczyszczeń	Czujnik zanieczyszczeń znajduje się w ruchu. Postępuj zgodnie z instrukcją czyszczenia rury
	Stężenie środka czyszczącego jest zbyt wysokie	Rozcieńczyć środek czyszczący wodą w zalecany sposób
	Detergent firmy zewnętrznej spowodował dużą ilość piany.	Używaj tylko oficjalnie zatwierdzonego środka czyszczącego





Najczęściej zadawane pytania

Wskaźnik poziomu baterii nie świeci się podczas ładowania	Kabel podstawy nie jest podłączony do gniazdka	Upewnij się, że kabel podstawy jest podłączony
	Urządzenie nie zostało prawidłowo umieszczone na podstawie ładującej	Upewnij się, że urządzenie zostało prawidłowo umieszczone na podstawie ładującej
Z urządzenia nie wypływa woda	Zbiornik na czystą wodę nie został prawidłowo zamontowany lub zbiornik na czystą wodę jest pusty	Należy zamontować ponownie lub napętnić zbiornik na czystą wodę
	Nawilżenie szczotki rolkowej trwa 30 sekund	Włącz urządzenie i sprawdź ponownie po 30 sekundach
Wyciek wody z górnej części zbiornika na czystą wodę	Kolizja lub gwałtowne pociągnięcie powoduje, że woda dostaje się do silnika	Należy poruszyć delikatnie w przód i w tył, kiedy odkurzacz jest włączony
	Filtr nie jest całkowicie osuszony po jego czyszczeniu	Należy całkowicie osuszyć filtr przed jego ponownym użyciem
Samoo czyszczanie nie powiodło się	Szczotka rolkowa może być zablokowana przez duże cząstki	Otwórz pokrywę szczotki rolkowej, aby sprawdzić i wyczyścić szczotkę rolkową
	Urządzenie nie jest umieszczone poprawnie na podstawie ładującej	Upewnij się, że urządzenie jest naładowane, zanim włączysz funkcję samoo czyszczania
	Samoo czyszczanie nie może zostać rozpoczęte, jeśli poziom baterii jest niższy niż 15%	Funkcję samoo czyszczania można włączyć tylko wtedy, gdy odkurzacz jest naładowany, a poziom baterii jest większy niż 15%
	Zbiornik na brudną wodę nie został zamontowany na swoim miejscu lub zbiornik na brudną wodę jest pełny	Zamontuj ponownie lub opróżnij zbiornik na brudną wodę
	Zbiornik na czystą wodę nie został prawidłowo zamontowany lub zbiornik na czystą wodę jest pusty	Należy ponownie zamontować lub napętnić zbiornik na czystą wodę
Słaba wydajność suszenia lub dziwne odgłosy podczas suszenia	Wylot i wlot powietrza na podstawie ładującej mogą być zablokowane	Sprawdź i usuń ciało obce blokujące wylot i wlot powietrza

W celu uzyskania dodatkowego wsparcia, prosimy o kontakt za pośrednictwem aftersales@dreame.tech
<https://global.dreametech.com>

Rozwiązywanie problemów

W przypadku, gdy odkurzacz nie działa prawidłowo, na wyświetlaczu pojawi się komunikat o błędzie. Należy odnieść się do tabeli rozwiązywania problemów, aby znaleźć rozwiązanie.

Wskaźnik błędu	Możliwe przyczyny	Rozwiązanie
	Niewystarczająca ilość wody w zbiorniku na czystą wodę	Należy napełnić zbiornik na czystą wodę
	Zbiornik na brudną wodę jest pełny	Opróżnij zbiornik na brudną wodę
	Zakleszczona szczotka rolkowa	Wyczyść szczotkę rolkową za pomocą dołączonej szczotki czyszczącej
	Szczotka rolkowa nie jest zamontowana	Zamontuj szczotkę rolkową
	Zablokowana rura	Sprawdź, czy filtr nie jest zatkany. Ewentualnie wyczyść rurę i czujnik zanieczyszczeń

Kod rozwiązywania problemów	Możliwe przyczyny	Rozwiązanie
E1-E7	Błąd	Uruchom ponownie urządzenie w celu rozwiązania problemu. Jeśli problem nadal występuje, skontaktuj się z działem obsługi klienta
H1-H6		
H7	Awaria baterii	Należy skontaktować się z obsługą klienta

Odkurzacz czyszczący na mokro i sucho			
Model	HHR25A	Czas ładowania	ok. 4,5 godziny (włącznie z suszeniem)
		Czas suszenia	1 godzina
Napięcie znamionowe	21,6 V ===	Napięcie ładowania	27 V ===
Moc znamionowa	300 W	Pojemność zbiornika na brudną wodę	700 mL
		Pojemność zbiornika na czystą wodę	900 mL
Podstawa ładująca			
Model	HCB3		
Wejście	220-240 V~ 50/60 Hz 150 W	Wyjście	27V === 1,6 A

Moc znamionowa podstawy ładującej określa moc, gdy funkcja suszenia i funkcja ładowania są włączone w tym samym czasie.

Utylizacja i wyjmowanie baterii

Wbudowany akumulator litowo-jonowy zawiera substancje niebezpieczne dla środowiska. Przed utylizacją należy upewnić się, że akumulator został wyjęty przez wykwalifikowanych techników i zutylizowany w odpowiednim punkcie recyklingu.

- bateria musi być wyjęta z urządzenia przed jego złomowaniem;
- podczas wyjmowania baterii urządzenie musi być odłączone od zasilania
- baterię należy zutylizować w bezpieczny sposób.

Instrukcja demontażu

1. Zdejmij ekran wyświetlacza, obracając go za pomocą narzędzia.
2. Odkręć kolejno śruby na pokrywie baterii, a następnie podważ pokrywę za pomocą odpowiednich narzędzi.
3. Odłącz zaciski pomiędzy baterią a płytą główną, aby wyjąć baterię.

UWAGA:

- Przed wyjęciem baterii należy odłączyć zasilanie i maksymalnie wyczerpać baterię.
- Niepotrzebne baterie należy zutylizować w odpowiednim punkcie recyklingu.
- Nie należy wystawiać na działanie wysokiej temperatury, aby uniknąć ryzyka wybuchu.
- Z powodu niewłaściwych warunków z baterii może zostać wydostać się ciecz. Jeśli dojdzie do kontaktu ciała z cieczą, należy opłukać dane miejsce pod wodą i zasięgnąć pomocy medycznej.

Informacje dot. utylizacji w UE (WEEE)



Wszystkie produkty oznaczone tym symbolem są uznane za odpady sprzętu elektrycznego i elektronicznego (WEEE zgodnie z Dyrektywą 2012/19/UE) i nie mogą być wyrzucane po zakończeniu okresu użytkowania wraz z innymi odpadami. W celu ochrony zdrowia ludzi oraz środowiska naturalnego należy przekazać zużyty sprzęt do wyznaczonego punktu utylizacji wyznaczonego przez instytucje rządowe lub lokalne. Prawidłowe usunięcie zużytego produktu pomaga w zapobieganiu potencjalnym negatywnym skutkom oddziaływania na środowisko naturalne i zdrowie ludzi. Więcej informacji można uzyskać w urzędzie lokalnym lub od instalatora.

הוראות בטיחות חשובות

לשימוש ביתי בלבד

- אנא קראו היטב את מדריך זה לפני השימוש ושמרו אותו לעיון בעתיד.
- בזמן השימוש במכשיר חשמלי, תמיד יש לנקות באמצעי בטיחות בסיסיים, כולל את הבאים:
- קראו את כל ההוראות לפני השימוש (במכשיר זה). אי עמידה בהוראות ואזהרות יכול להגמר בהתחשמות, שריפה ואו פציעה רצינית.

אזהרה - על מנת להוריד את סיכוי לאש, התחמשלות, או פציעה:

- השתמשו רק כפי שמתואר במדריך זה. השתמשו רק באביזרים נלווים המומלצים על ידי הייצרן.
- השתמשו רק בפנים, על גבי משטחים ללא שטיחים כגון וינל, בלטות, פרקט וכו'. זהירו שלא לעבור על חפצים משוחררים או קצוות שטיחים. תקיעת המברשת לגרום לתקלת חגורה בטרם עת.
- כדי להבטיח הפעלה בטוחה ולמנוע תאונות, אסור השימוש במוצר זה לילדים בני פחות מ-8 שנים, לאנשים מבוגרים עם מגבלות גופניות, תחושתיות או מנטלית או לחסרי ידע או ניסיון, ללא השגחה של הורה או מבוגר אחראי. אין להתיר לילדים לבצע ניקוי ותחזוקה ללא השגחה.
- אין להשתמש בנוזלים דליקים או מתלקחים לניקוי רצפות.
- אין להשתמש כדי לאסוף נוזלים דליקים או מתלקחים, כגון דלק. אין להשתמש באזורים שבהם נוזלים דליקים או מתלקחים עשויים להיות נוכחים.
- אין להשרות את המכשיר בנוזל.
- עטיפות פלסטיק יכולות להיות מסוכנות. על מנת להמנע מסכנת חנק, יש להרחיק מידי ילדים.
- הרחיקו שערות, ביגוד רופף, אצבעות וכל שאר חלקי הגוף מפתחי וחלקי הזיזים של מכשיר זה ואביזריו.
- השתמש רק בחומר ניקוי רצפה שאושר רשמית כמתואר במדריך למשתמש.
- אין להכניס שום חפץ לפתחים. אין להשתמש במכשיר כאשר פתח כלשהו נחסם; יש לשמור ללא אבק, מוך, שיער או פריטים אחרים שעשויים להפחית את זרימת האוויר.
- אין להשתמש בו כשהמסננים אנים במקום.
- אין להשתמש במכשיר עם חיבור פגום (לדוגמה: בסיס טעינה, כבל אספקה וכו'). אם החיבור פגום, יש להחליף אותו על ידי הייצרן, סוכן השירות שלו או אנשים מוסמכים דומים על מנת למנוע סכנות.
- יש להרחיק את כבלי הארקה מהמכשיר בעת השימוש בו, מכיוון שעלולה להתרחש סכנה אם המכשיר עובר על כבל אספקה.
- אין להרים חומרים רעילים (כלור, אקונומיקה, אמוניה, מנקה ניקוז וכו'). אין להרים חפצים קשיחים או חדים כגון זכוכית, מסמרים, ברגים, מטבעות, וכו'.
- אין להשתמש במכשיר במקום סגור עם אדים של צבע בסיס-שמן, מדלל צבע, חומרים מסויימים למניעת עשי בגדים, אבק ניצת, או חומרים נפיצים אחרים או אדים רעילים. אין להרים כל דבר שעולה באש או מוצאי עשן, כגון סיגריות, גפרורים, או אפר לוחט.
- אין למשוך או לשאת בסיס טעינה באמצעות כבל, להשתמש בכבל כידית, לסגור את הדלת על הכבל או למשוך כבל סביב קצוות או פינות חדים.
- כבה ונתק את המכשיר כאשר אינו בשימוש, לפני הניקוי, התחזוקה או הטיפול בו, ולפני חיבורו או ניתוקו באמצעות מברשת נעה.
- אין להשתמש במכשיר שהוא פגום או מאולטר. סוללות פגומות או מאולטרות יכולות להתנהג בצורה בלתי צפויה ולגרום לשריפה, פיצוץ או סכנת פציעה.
- אין לחשוף את המכשיר לאש או לטמפרטורות גבוהות. חשיפה לאש או לטמפרטורה מופרזת עלולה לגרום לפיצוץ.
- וודאו שהמכשיר מונח על משטח מאוזן. אין להשתמש במכשיר באותה מצב עם המכשיר מגיע עם מברשת גלגלית והידית אינה במצב אנכי לחלוטין. אין לאחסן את המכשיר במקום שהוא עלול להיקפא.

- השתמשו במשנה זהירות כשאתם מנקים מדרגות.
- המנעו מהדלקה לא מכוונת. וודאו שהמתג במצב "כבוי" לפני הרמה או נסיעה של המכשיר. נסעו את המכשיר כאשר האצבע שלכם על המתג או מכשירים ממריצים שיש להם מתג המזמינים תאונות.
- יש לתת לאיש אחזקה מוסמך לבצע אחזקה של המכשיר ולהשתמש רק בחלקי חילוף זהות לחלוטין.
- זה יוודא שבטיחות המכשיר תשמר.
- אין לשנות או לנסות לתקן את המכשיר למעט כפי שמורה בהוראות הטיפול ואחזקה.
- אם המכשיר נופל, נפגם, הושאר בחוץ, הופל לתוך מים, או אינו עובד כראוי, אין לנסות להפעילו. החזירו אותו למרכז שירות.

סוללות וטעינה

- אין להשתמש בסביבות חמות או קרות באופן קיצוני (מתחת ל - $0^{\circ}\text{C}/32^{\circ}\text{F}$ או מעל $40^{\circ}\text{C}/104^{\circ}\text{F}$). נ א לטעון את המכשיר בטמפרטורה מעל $0^{\circ}\text{C}/32^{\circ}\text{F}$ ומתחת ל - $40^{\circ}\text{C}/104^{\circ}\text{F}$.
- לצורך טעינה מחדש של המכשיר, השתמש רק בבסיס הטעינה המסופק עם מכשיר זה. יש להשתמש רק עם בסיס טעינה HCB3.
- בסיס טעינה המתאים לסוג אחד של מכשיר עלול ליצור סכנת שריפה בעת שימוש עם סוג אחר.
- בצע את כל הוראות הטעינה ואל תטען את המכשיר מחוץ לטווח הטמפרטורה שצוין בסוללה מכיוון שזה מגביר את הסיכון לאש.
- אין לקצר את מסופי הפלט הבסיסיים לטעינה. אין להשתמש בו עם בסיס טעינה פגום. אם המכשיר הושמט, ניזוק, הושאר בחוץ, הושלך למים או שאינו פועל כמבוקש, החזירו אותו למרכז שירות.
- הרחיקו את כבל בסיס הטעינה ממשטחים מחוממים. אין לטפל בתקע בסיס הטעינה או במכשיר בידיים רטובות. כדי להתנתק, תפסו את תקע בסיס הטעינה, במקום את הכבל.
- מכשיר זה מכיל סוללות שאינן ניתנות להחלפה.

שמרו על הוראות אלו

ציוד מחלקה II 

פיגור בזמן מיניאטורי נתיך-קישור

כאשר T 3.15A הוא הסמל עבור מאפיין הזמן/הזרם



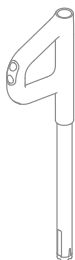
יחידת אספקה הניתנת להסרה 

קרא את המדריך של האופרטור 

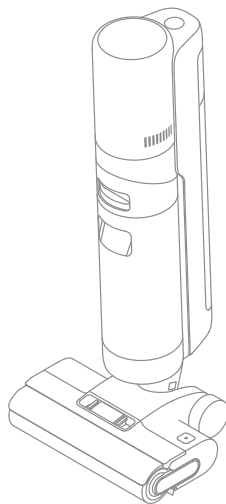
אנו, מסחר Dreame (טיאנג'ו) ושות' בע"מ, מצהירים בזאת כי ציוד זה תואם את ההנחיות הרלוונטיות, הנורמות האירופיות והתיקונים. הטקסט המלא של הצהרת ההתאמה של האיחוד האירופי זמין בכתובת האינטרנט הבאה: <https://global.dreameotech.com>

לעיון במדריך מקוון מפורט, בקר בכתובת
<https://global.dreameotech.com/pages/user-manuals-and-faqs>

רשימת מארז



ידית



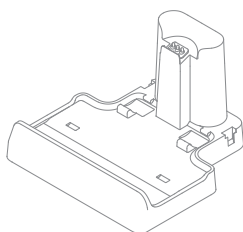
גוף המכשיר



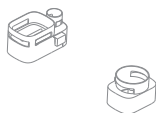
מסנן חלופי



מברשת ניקוי



בסיס טעינה

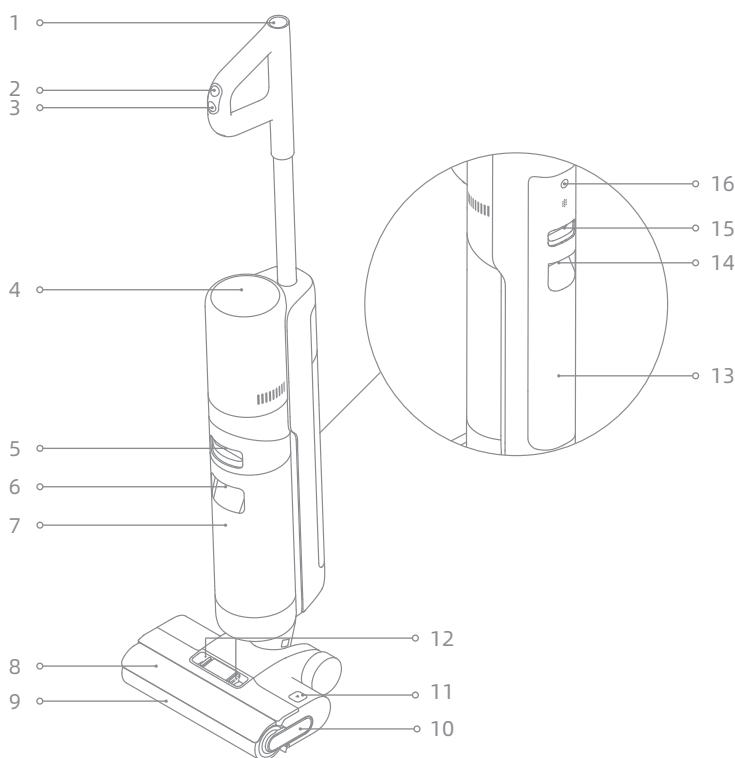


תיבת אחסון



מברשת גלגלית רזרבית

שואב אבק ומכונת כביסה לרצפה רטובה ויבשה

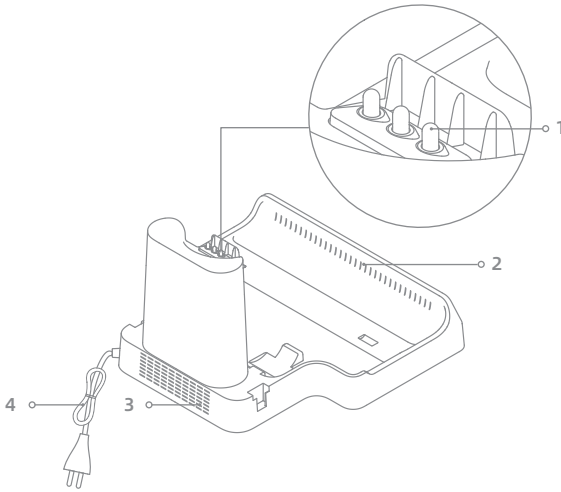


1	☰ כפתור ניקוי-עצמי	8	מכסה מברשת גלגלית
2	○ מתג מצב	9	מברשת גלגלית
3	⏻ מתג הפעלה	10	ידית מברשת גלגלית
4	תצוגה	11	כפתורים לשחרור מברשת גלגלית
5	כפתור לשחרור מיכל מים משומשים	12	כפתורים לשחרור מכסה מברשת גלגלית
6	ידית מיכל מים משומשים	13	מיכל מים נקיים
7	מיכל מים משומשים	14	ידית לשחרור מיכל מים נקיים
15	כפתור לשחרור מיכל מים נקיים	16	כפתור פיקוד קולי

• לחצו והחזיקו למשך 3 שניות על מנת להחליף בין שפות

• לחץ והחזק למשך 3 שניות כדי לגשת להגדרות השפה. לחץ כדי לעבור בין שפות. לחץ והחזק כדי לאשר את הבחירה

בסיס טעינה



- 1 מגעי טעינה
- 2 שקע ייבוש אוויר
- 3 מפרצון לייבוש אוויר
- 4 כבל חשמל

תצוגה



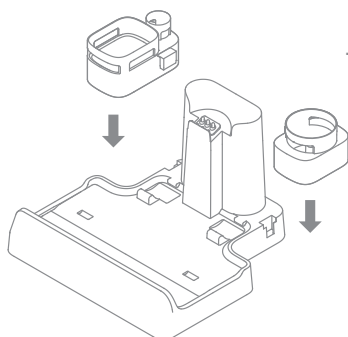
- | | | |
|-------------------|--|---|
| 1 מצב אולטרה | 5 הודעות שגיאה | 6 מצב ייבוש |
| 2 מצב יניקה | אין מספיק מים במיכל מים נקיים | 7 מצב אוטומטי |
| 3 מחוון מצב סוללה | מיכל המים המשומשים מלא | 8 מחוון ריכוז לכלוך |
| 4 ניקוי-עצמי | צינור חסום | צבע העקומה משתנה לפי כמות האבק בזמן אמת |
| | מברשת גלגלית תקועה/מברשת מגלגלית אינה מותקנת | |

שימו לב:

אם המכשיר אינו פועל כראוי, תצוגת המסך תציג הודעת שגיאה. נא עיין בטבלת פתרון הבעיות כדי למצוא את הפתרון שלך.

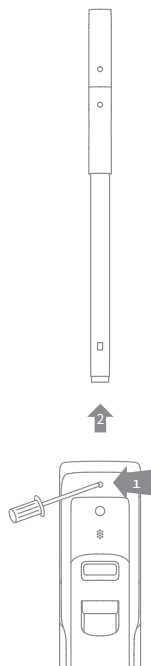
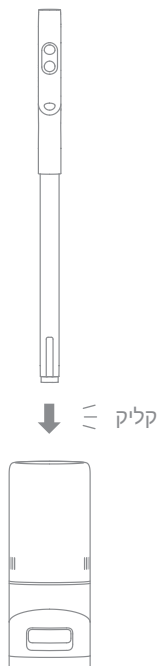
התקנת תיבת אחסון

התקן את תיבת האחסון בבסיס הטעינה כפי שמוצג בדיאגרמה.



הרכבה ופירוק של ידית

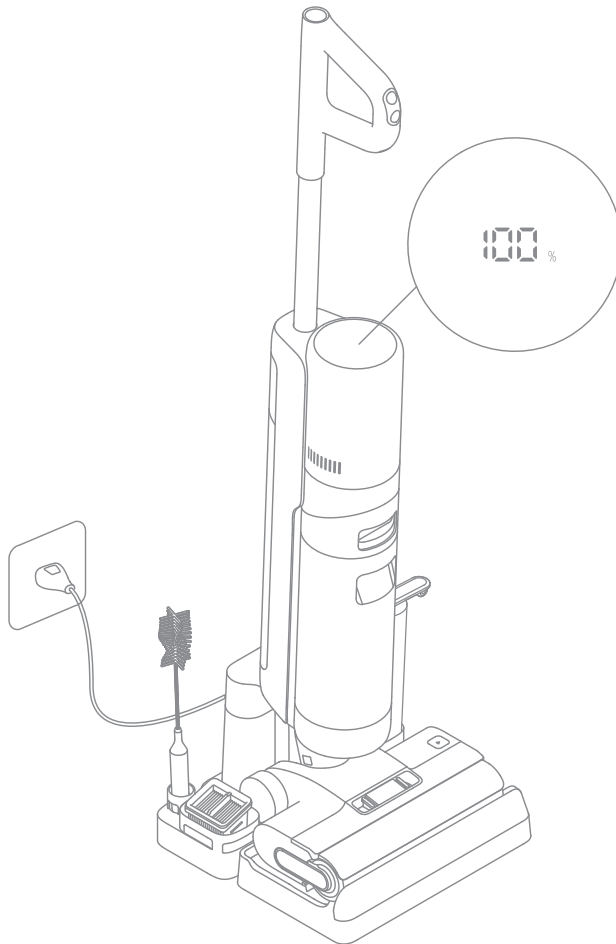
הכניסו את קצה הידית האחזיה באופן אנכי לתוך הפתח שבחלקו העליון של השואב כפי שמצויין, תרגישו אותו מקליק לתוך מקומו.



שימו לב:

על מנת לפרק את הידית, השתמשו בעצם קשיח על מנת לגשש לתוך החור שבחלקו האחורי של השואב וללחוץ על המגע, ובו שמנית משכו את הידית כפלי מעלה.

1. מניחים את בסיס הטעינה על קיר על הקרקע ברמה וחברו אותו למקור כוח. טען את המכשיר במלואו לפני השימוש הראשון.
2. הניח את המכשיר על בסיס הטעינה. כאשר מוצגת הנחיית הקול "התחל טעינה", המכשיר מפעיל את מצב הטעינה. בעת הטעינה, המספר על מסך התצוגה מייצג את רמת הסוללה הנוכחית כאחוז. כאשר המספר מגיע ל-100, הסוללה טעונה במלואה.



שימו לב:
 אם אין פעולה תוך 10 דקות מרגע הטעינה המלאה, שואב האבק ייכנס למצב שינה. אנא להפעיל מחדש את המכשיר אם עליך להשתמש בו.
 כדי להאריך את חיי הסוללה, הסוללה ממשיכה להתקרר למשך כשעה באופן אוטומטי לאחר שהשתמשתם במכשיר במשך זמן רב.

אופן השימוש

מצבי עבודה

המכשיר יופעל במצב אוטומטי כברירת מחדל. אתה יכול לעבור למצב היניקה או למצב האולטרה בהתאם לצרכים שלך.

מצב אוטומטי

בעת שטיפת הרצפה, המכשיר יכול להתאים את כוח היניקה שלו בהתאם למצבים שונים.



מצב אולטרה

הכנת מצב אולטרה, אנא המתן 30 שניות. מצב זה מתאים לניקוי עמוק.



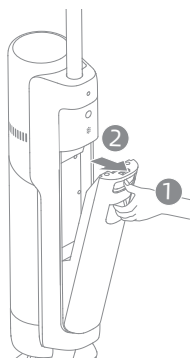
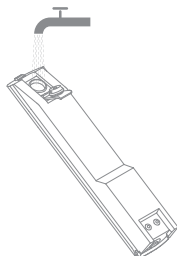
מצב יניקה

אם נבחר מצב יניקה, המכשיר ישאב מים בלבד והמברשת הגלגלית לא יעומעמת. שום מים לא יוצאים ממיכל המים הנקיים.



מלאו את מיכל המים הנקיים



לחצו על כפתור לשחרור מיכל המים הנקיים כדי להסיר את המיכל. פתחו את מכסה המיכל ומלאו את המיכל במים נקיים. התקן מחדש את מיכל המים הנקיים וודא שהוא לוחץ למקומו.

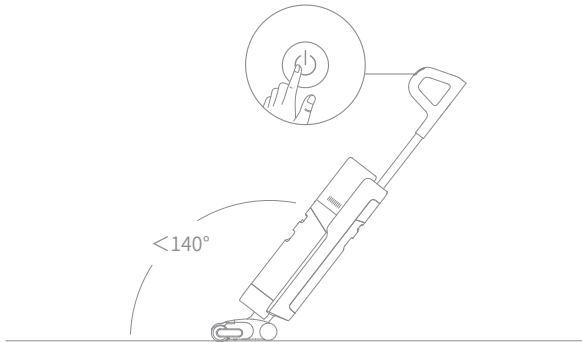


שימו לב:

- לביצועי ניקוי טובים יותר, מומלץ להוסיף חומר ניקוי 10 מ"ל עם פקק הבקבוק למיכל המים הנקיים המלא, ולאחר מכן לנער בעדינות ובאופן שווה לשימוש.
- אין להוסיף נוזלים מלבד חומר הניקוי שאושר רשמית. החומר יכול להיות זמין בחנות המקוונת הרשמית.

התחילו לנקות

צעדו בעדינות על מכסה המברשת והניחו את המכשיר לאחור. לחץ על מתג הפעלה  כדי להתחיל לפעול. לחץ על  כדי לעבור בין המצב האוטומטי - מצב אולטרה - מצב היניקה בהתאם לצרכים שלך.

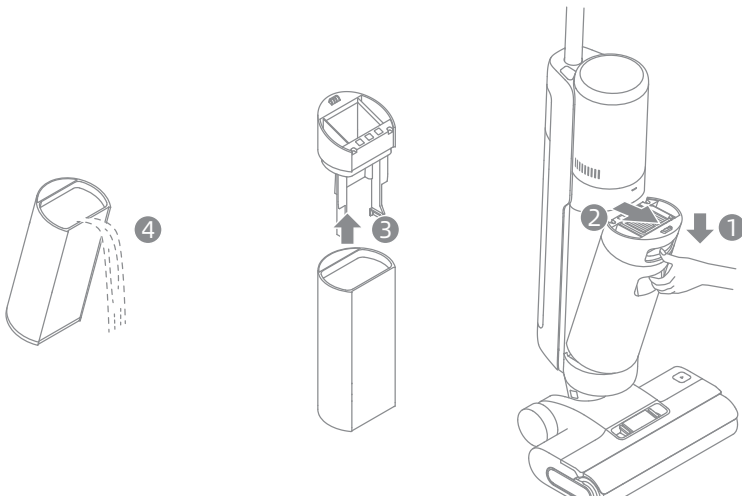


שימו לב:

- אין להשתמש כדי לשאוב נוזלים מוקפצים.
- אם המכשיר נמצא במצב זקוף במהלך העבודה, המשימה הנוכחית תושהה.
- המכשיר מתאים לניקוי רצפות, שיש, אריחים ומשטחים קשים אחרים.
- אין להשכיב את המכשיר לאחור יותר מ-140° כדי למנוע מהמכשיר לדלוף מים.
- כאשר המכשיר פועל, אין להרים אותו מהקרקע, להזיז אותו, להטות אותו או להניח אותו שטוח. פעולות אלה עלולות לגרום למים המשומשים לזרום לתוך המנוע.


רוקנו את מיכל המים המשומשים

לחצו על כפתור לשחרור מיכל המים המשומש כדי להוציא את המיכל. מוציאים את מכסה המיכל ויוצקים את המים המשומשים. סגור את מכסה הטנק והתקן מחדש את הטנק לפני השימוש.



אופן השימוש


ניקוי עצמי בלחץ אחד

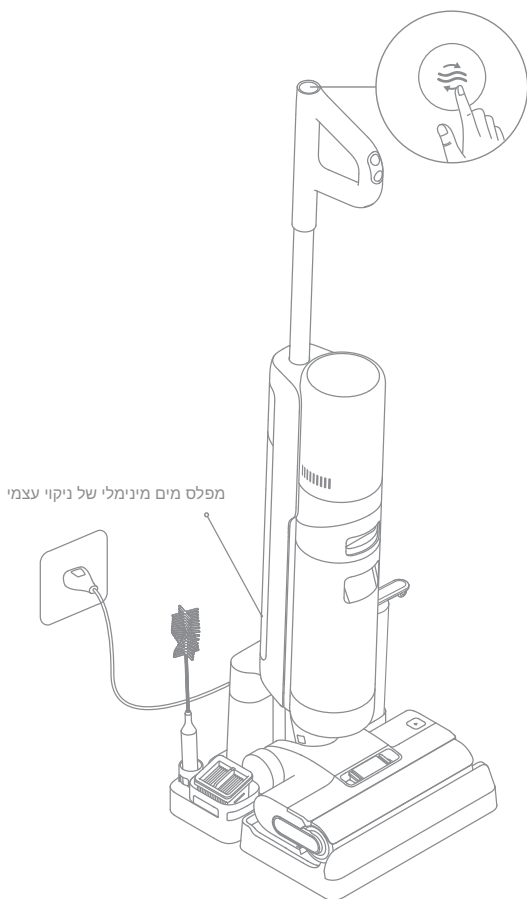
1. לאחר שהמכשיר משלים את משימת הניקוי, מחזירים אותו לבסיס ומוודאים שהמים במיכל המים הנקיים מספיקים לניקוי עצמי.
2. לחץ בקצרה על כפתור הניקוי העצמי בחלק העליון של הידית. מחוון הניקוי העצמי יואר והמכשיר יתחיל לנקות את עצמו.
3. אנא רוקנו את מיכל המים המשומשים לאחר השלמת הניקוי העצמי והפעילו את מצב הייבוש. לחץ על הכפתור  כדי לצאת ממצב ייבוש.

שימו לב:

ניתן להפעיל את פונקציית הניקוי העצמי רק כאשר המכשיר נטען ורמת הסוללה היא יותר מ-15%.

מצב ייבוש

1. לחץ והחזק את כפתור הניקוי העצמי  למשך 3 שניות כדי להפעיל את מצב הייבוש.
2. המכשיר ייטען לאחר השלמת הייבוש.



שימו לב:

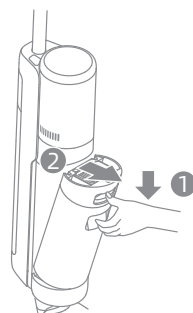
- לאחר השלמת הניקוי העצמי, נקו מיד את מיכל המים המשומשים. נקו את בסיס הטעינה אם נותרו כתמים בבסיס.
- אם מנקים את המברשת הגלגלית באופן ידני, אנא יישו אותה באוויר ביסודיותא ויישו אותה על ידי שימוש במצב ייבוש מספר פעמים כדי להבטיח אפקט ייבוש טוב.

שימו לב:

- כבו את המכשיר לפני התחזוקה. אל תיגע במתג ההפעלה.
- יש להחליף חלקים על פי הצורך. אגב השתמשו בחלקים שנקבעו על ידי המפעל המייצר על מנת למנוע פגיעה במוצר עקב חוסר התאמה.
- אם המכשיר אינו משמש לתקופה ממושכת, טען אותו במלואו, נתק את ספק הכוח ואחסן את המכשיר בסביבה קרירה ובעלת לחות נמוכה הרחק מאור שמש ישיר. כדי למנוע פריקת יתר של הסוללה, טען את המכשיר לפחות פעם בשלושה חודשים.

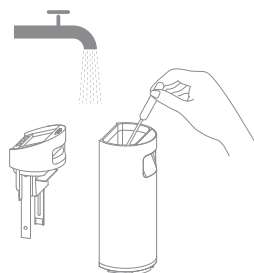
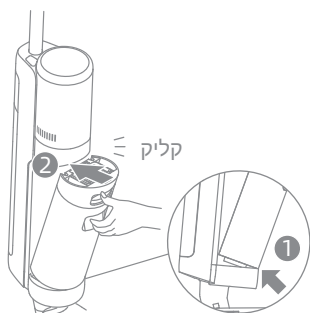
ניקוי מיכל המים המשומשים והמסנן

1. לחצו על כפתור לשחרור מיכל המים המשומשים והציאו את מיכל המים המשומשים.
2. הוציאו את המסנן ממכסה מיכל המים המשומשים. מוציאים את מכסה המיכל ושופכים את השפכים.



3. יש לשטוף את מיכל המים המשומשים ואת מכסה המיכל במים נקיים. נקה את הקיר הפנימי של המיכל בעזרת מברשת הניקוי המסופקת.
4. סגור את מכסה מיכל המים המשומש, התקן מחדש את מיכל המים המשומשים והבטח שהמיכל לוחץ למקומו.

3. יש לשטוף את מיכל המים המשומשים ואת מכסה המיכל במים נקיים. נקה את הקיר הפנימי של המיכל בעזרת מברשת הניקוי המסופקת.



שימו לב:

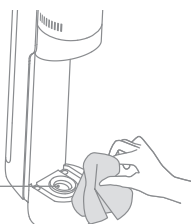
- אם המסנן מלוכלך, יש לשטוף אותו במים נקיים ולייבש אותו לחלוטין לפני השימוש.
- מומלץ להחליף את המסנן כל 3 עד 6 חודשים.

טיפול ואחזקה

ניקוי מיכל המים המשומשים והמסנן

יש להסיר את מיכל המים המשומשים, לנגב את הצינור ואת חיישן הלכלוך במטלית רטובה לפני השימוש.

חיישן עפר

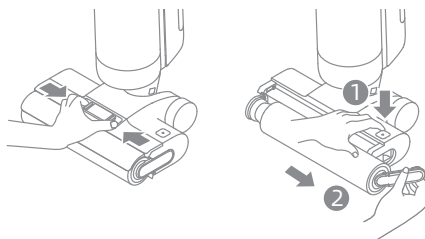
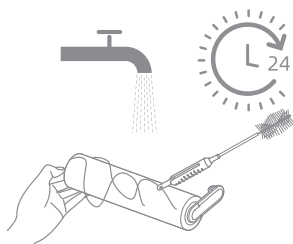


הערה: אין לשטוף את הצינור או את חיישן הלכלוך.

ניקוי הרכבת המברשת

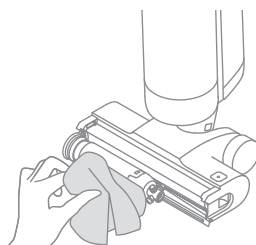
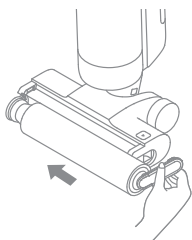
2. נקו את השיער והפסולת שהסתבכו על המברשת הגלגלית בעזרת מברשת הניקוי המסופקת. יש לשטוף את המברשת הגלגלית במים נקיים. מייבשים את גלגלת המברשת באוויר ביסודיות, או מייבשים אותה על ידי הפעלת מצב הייבוש מספר פעמים.

1. ראשית, לחצו על כפתורי שחרור מכסה המברשת הגלגלית פנימה משני הצדדים כדי להסיר את מכסה המברשת הגלגלית. לאחר מכן, לחצו על כפתור לשחרור המברשת הגלגלית ואת הידית של המברשת הגלגלית תקפוץ החוצה. משוך את הידית כדי להוציא את המברשת הגלגלית.



4. לאחר ניקוי המברשת הגלגלית, הפעילו מחדש את המברשת הגלגלית ואת מכסה המברשת הגלגלית. תשמע לחיצה כדי לציין שהם מותקנים במקום.

3. יש לנגב את פתח היניקה במטלית יבשה או ברקמה רטובה. אין לשטוף את מכלול המברשת במים.



שימו לב:

• הערה: נקי לפי הצורך. מומלץ להשתמש לסירוגין בשתי המברשות הגלגליות המסופקות.
• מומלץ להחליף את המברשת הגלגלית כל 3 עד 6 חודשים.





אם מתרחשת שגיאה, המכשיר יפסיק לפעול. נא עיין בטבלה הבאה לפתרון בעיות. אם הבעיה נמשכת, פנה לשירות הלקוחות.

שגיאות נפוצות	גורמים אפשריים	פתרונות
המכשיר אינו פועל	הסוללה של המכשיר אזלה או שרמת הסוללה שלו נמוכה	טענו את הסוללה במלואה לפני השימוש
	המכשיר נמצא במצב זקוף	השען את המכשיר לאחור
	המכשיר מתחמם יתר על המידה עקב חסימה והניתוק בטמפרטורה גבוהה הופעל	לנקות את החסימה ולחכות עד הטמפרטורה חוזרת נורמלית
	מיכל המים המשומשים מלא	רוקן את מיכל המים המשומשים
	הידיית, מכסה מברשת גלגלית, מברשת גלגלית, מיכל מים נקיים או מיכל מים משומשים אינם מותקנים במקום	ודא שהידיית, מכסה המברשת הגלגלית, המברשת הגלגלית, מיכל המים הנקיים או מיכל המים המשומשים נמצאים כולם במקומם כראוי
המכשיר נטען לאט	טמפרטורת הסוללה נמוכה מדי או גבוהה מדי	המתנו עד שטמפרטורת הסוללה תחזור להיות תקינה
עוצמת היניקה של המכשיר חלשה	המסנן סתום	נקו את מיכל המים המשומשים ואת המסנן שנמצא בכוס האבק
	יש כמה חפצים זרים בצינור ואת כניסת היניקה או הצינור ואת הכניסה יניקה חסומים	נקה את הצינור ואת כניסת היניקה
המנוע מוציא רעשים מוזרים	יש יותר מדי מים מלוכלכים במיכל המים המשומשים	רוקן את מיכל המים המשומשים
	פתח היניקה הראשי חסום	הסירו על חסימה מפני פתח היניקה הראשי
מחווני ריכוז הלכלוך הוא אדום מלא	חיישן העפר זקוק לניקוי	חיישן העפר נמצא בצינור. נא עיין בסעיף פתרון הבעיות לקבלת הדרכה כיצד לנקות את הצינור
	הריכוז של המנקה גבוה מדי	לדלל את המנקה עם מים ביחס המומלץ
	כמה נוזלים מלבד המנקה שאושר באופן רשמי נוספו כמויות גדולות של קצף מיוצרים	השתמש רק במנקה שאושר רשמית
מחווני מצב הסוללה אינה נדלקת בזמן טעינה.	כבל בסיס הטעינה אינו מחובר לשקע החשמל	ודא שכבל בסיס הטעינה מחובר לחשמל
	המכשיר אינו ממוקם על בסיס הטעינה כראוי	ודא שהמכשיר ממוקם על בסיס הטעינה כראוי

שגיאות נפוצות	גורמים אפשריים	פתרונות
לא יוצאים מים מהמכשיר	מיכל המים הנקיים אינה מותקנת במקומה, או שמכל המים הנקיים ריק	התקינו מחדש או מלאו את מיכל המים הנקיים
	זה לוקח 30 שניות כדי לעמעם את המברשת הגלגלית	הפעל את המכשיר ובדוק שוב תוך 30 שניות
נזילת מים מחלקו העליון של מיכל המים המלוכלכים	התנגשות או משיכה חזקה גורמת למים להכנס למנוע	היזו קדימה ואחורה בעדינות כאשר גוף השואב דלוק
	המסנן לא התייבש לחלוטין לאחר הנקיון	בשו את המסנן לפני השימוש
נקיון עצמי נכשל	המברשת המגלגלית עשויה להיות תקועה על ידי חלקיקים גדולים	פתח את מכסה המברשת המגלגלית כדי לבדוק ולנקות את המברשת המגלגלית
	המכשיר אינו נטען	ודא שהמכשיר נטען לפני שתפעיל את פונקציית הניקוי העצמי
	הנקיון-עצמי לא יכול להיות מופעל אם רמת הסוללה נמוכה מ-15%	פונקציית הניקיון העצמי יכול להיות מופעל רק כאשר רמת הסוללה הינה יותר מ-15%
	מיכל המים המשושמים אינו מותקן במקום, או מיכל המים המשושמים מלא	התקן מחדש או רוקן את מיכל המים המשושמים
	מיכל המים הנקיים אינה מותקנת במקומה, או שמכל המים הנקיים ריק	התקינו מחדש או מלאו את מיכל המים הנקיים
	יציאת האוויר וכניסת האוויר של בסיס הטעינה עשויות להיות חסומות	בדוק ונקה את החסימה של יציאת האוויר וכניסת האוויר

לקבלת שירותים נוספים, אנא צרו איתנו קשר באמצעות: aftersales@dreametech <https://global.dreametech.com>

אם השואב אינו עובד כראוי, המסך יציג הודעת שגיאה. אנא עיינו בטבלת תפעול התקלות בכדי למצוא את הפתרון.

פתרונות	גורמים אפשריים	סמל שגיאה
מלאו את מיכל המים הנקיים	אין מספיק מים במיכל מים נקיים	
רוקן את מיכל המים המשומשים	מיכל המים המשומשים מלא	
נקה את המברשת המגלגלית בעזרת מברשת הניקוי שסופקה	מברשת גלגלית תקועה	
התקן את המברשת המגלגלית	מברשת מגלגלית אינה מותקנת	
בדוק אם המסנן סתום. לחלופין, נקו את הצינור ואת חיישן הלכלוך	צינור חסום	

פתרונות	גורמים אפשריים	קוד תפעול
הפעל מחדש את המכשיר לצורך פתרון בעיות. אם הבעיה נמשכת, תחנונים לפנות לשירות הלקוחות.	שגיאה	E1-E7
		H1-H6
אנא צרו קשר עם שירות לקוחות.	תקלת סוללה	H7

שואב אבק רטוב ויבש			
מודל	HHR25A	זמן טעינה	כ-4.5 שעות (כולל ייבוש)
מתח מדורג	21.6 V ===	זמן ייבוש	תחא העש
כוח מדורג	300 W	מתח טעינה	27 V ===
		קיבולת מיכל מים משומשים	700 mL
		תכולת מיכל מים נקיים	900 mL
בסיס טעינה			
מודל	HCB3		
כניסה	220-240 V ~ 50/60 Hz 150W	יציאה	27 V === 1.6 A

ההספק המדורג של בסיס הטעינה הוא הכוח כאשר פונקציית הייבוש ופונקציית הטעינה מופעלות בו זמנית.

סילוק והסרה של סוללות

סוללת הלייתיום-יון המובנית מכילה חומרים מסוכנים לסביבה. לפני השלכת הסוללה, ודא שהסוללה מוסרת על ידי טכנאים מוסמכים ומושלכת במתקן מיחזור מתאים.

– יש להסיר את הסוללה מהמכשיר לפני שהיא נשרטת;

– יש לנתק את המכשיר מרשתות האספקה בעת הסרת הסוללה;

– יש להיפטר מהסוללה בבטחה.

מדריך הסרה

1. הסר את מסך התצוגה על ידי סיבובו עם כלי.

2. הסר את הברגים על מכסה הסוללה בתורו ולאחר מכן חטטן לפתוח את המכסה עם כליים מתאימים.

3. נתקו את ההדקים בין הסוללה ללוח PCB כדי להסיר את הסוללה.

זהירות:

- לפני הסרת הסוללה, נתקו את החשמל ואזלו הסוללה ככל האפשר.
- יש להשליך סוללות לא נחוצות במתקן מיחזור מתאים.
- אין לחשוף לסביבת טמפרטורה גבוהה כדי למנוע סיכוני פיצוץ.
- בתנאים פוגעניים, נזול עשוי להיפלט מהסוללה. במקרה של מגע, יש לשטוף במים ולפנות לעזרה רפואית.

Veiligheidsinformatie

Belangrijke Veiligheidsinstructies Alleen voor Huishoudelijk Gebruik

- Lees deze gebruiksaanwijzing vóór gebruik aandachtig door en bewaar deze voor toekomstig gebruik.
- Bij het gebruik van een elektrisch apparaat moeten altijd de basisvoorzorgen in acht worden genomen, waaronder het volgende:
- LEES ALLE INSTRUCTIES VOORDAT U (DIT APPARAAT) GEBRUIKT. Het niet opvolgen van de waarschuwingen en instructies kan leiden tot elektrische schokken, brand en/of ernstig letsel.

WAARSCHUWING - Om het risico op brand, elektrische schokken of letsel te verminderen:

- Alleen binnenshuis gebruiken, op vloeren zonder vloerbedekking, zoals vinyl, tegels, verzegeld hout, enz. Zorg ervoor dat u niet over losse voorwerpen of de randen van vloerkleden rijdt. Het afslaan van de borstel kan leiden tot voortijdige bandbreuk.
- Gebruik alleen zoals beschreven in deze gebruikershandleiding. Gebruik alleen de door de fabrikant aanbevolen hulpstukken.
- Dit product mag niet worden gebruikt door kinderen jonger dan 8 jaar of personen met lichamelijke, zintuiglijke of intellectuele gebreken, of met beperkte ervaring of kennis zonder toezicht van een ouder of voogd om een veilig gebruik te waarborgen en risico's te vermijden. Reiniging en onderhoud mogen niet zonder toezicht door kinderen worden uitgevoerd.
- Gebruik geen ontvlambare of brandbare vloeistof om vloeren te reinigen.
- Niet gebruiken voor het opzuigen van ontvlambare of brandbare vloeistoffen, zoals benzine. Niet gebruiken op plaatsen waar ontvlambare of brandbare vloeistoffen aanwezig kunnen zijn.
- Dompel het apparaat niet onder in vloeistof.
- Plastic folie kan gevaarlijk zijn. Houd het uit de buurt van kinderen om verstikkingsgevaar te voorkomen.
- Houd haar, losse kleding, vingers en alle lichaamsdelen uit de buurt van openingen en bewegende delen van het apparaat en de accessoires.
- Gebruik alleen officieel goedgekeurde vloerreiniger zoals beschreven in de gebruikershandleiding.
- Steek geen voorwerpen in de openingen. Gebruik het apparaat niet wanneer een opening is geblokkeerd; houd het vrij van stof, pluizen, haar en alles wat de luchtstroom kan belemmeren.
- Gebruik het niet zonder geplaatste filters.
- Gebruik het apparaat niet met een beschadigd hulpstuk (bijv. oplaadbasis, netsnoer, enz.). Als het hulpstuk beschadigd is, moet het worden vervangen door de fabrikant, diens onderhoudsmonteur of een vergelijkbaar gekwalificeerd persoon om gevaar te voorkomen.
- Houd grondkabels uit de buurt van het apparaat tijdens het gebruik, omdat er gevaar kan ontstaan als het apparaat over een voedingskabel loopt.

- Zuig geen giftige stoffen op (chloorbleekmiddel, ammoniak, afvoerreiniger, enz.). Zuig geen harde of scherpe voorwerpen op zoals glas, spijkers, schroeven, munten, enz.
- Gebruik het apparaat niet in een afgesloten ruimte gevuld met damp die wordt afgegeven door verf op oliebasis, verfverdunder, sommige mottenbestrijdingsmiddelen, brandbaar stof of andere explosieve of giftige dampen. Neem niets op dat brandt of rookt, zoals sigaretten, lucifers of hete as.
- Trek of draag het laadstation niet aan de kabel, gebruik de kabel niet als handvat, sluit de deur niet op de kabel en trek de kabel niet rond scherpe randen of hoeken.
- Schakel het apparaat uit en trek de stekker uit het stopcontact als u het niet gebruikt, voor u het reinigt, onderhoudt of onderhoudt, en voordat u het aansluit of loskoppelt met een bewegende borstel.
- Gebruik geen apparaat dat beschadigd of gewijzigd is. Een beschadigd of gewijzigd apparaat kan onvoorspelbaar gedrag vertonen, hetgeen kan leiden tot brand, explosie of risico op letsel.
- Stel het apparaat niet bloot aan vuur of extreme temperaturen. Blootstelling aan vuur of excessieve temperatuur kan een explosie veroorzaken.
- Zorg ervoor dat het apparaat op een horizontaal oppervlak wordt geplaatst. Gebruik het apparaat niet bij dezelfde plaats als het is uitgerust met een borstelroller en de handgreep niet volledig rechtop staat. Bewaar het apparaat niet op een plaats waar het kan bevriezen.
- Wees extra voorzichtig bij het schoonmaken op trappen.
- Voorkom onbedoeld starten. Zorg ervoor dat de schakelaar in de UIT-stand staat voordat u het apparaat oppakt of draagt. Het dragen van het apparaat met uw vinger op de schakelaar of het onder spanning zetten van het apparaat met de schakelaar aan nodigt uit tot ongelukken.
- Laat het onderhoud uitvoeren door een gekwalificeerd reparateur die uitsluitend identieke vervangingsonderdelen gebruikt. Dit zorgt ervoor dat de veiligheid van het product behouden blijft.
- Wijzig het apparaat niet en probeer het apparaat niet te repareren, behalve zoals aangegeven in de instructies voor gebruik en onderhoud.
- Als het apparaat gevallen of beschadigd is, of buiten is gelaten, in het water is gevallen of niet naar behoren werkt, probeer het dan nooit te bedienen. Laat het dan repareren door een erkend servicecentrum.

Veiligheidsinformatie

BELANGRIJKE VEILIGHEIDSMATREGELEN

- Niet gebruiken in extreem warme of koude omgevingen (onder 0°C / 32°F of boven 40°C / 104°F). Laad het apparaat op bij een temperatuur boven 0°C / 32°F en onder 40°C / 104°F).
- Gebruik voor het opladen van het apparaat uitsluitend de bij dit apparaat geleverde oplaadbasis. Alleen gebruiken met HCB3-oplaadstation.
- Een oplaadstation dat geschikt is voor een bepaald type apparaat kan brandgevaar opleveren bij gebruik met een ander type apparaat.
- Volg alle oplaadinstructions en laad het apparaat niet op buiten het temperatuurbereik dat in de batterij is aangegeven, omdat dit het risico op brand verhoogt.
- De uitgangsaansluitingen van de oplaadbasis mogen niet worden kortgesloten. Gebruik het toestel niet met een beschadigd oplaadstation. Als het toestel gevallen of beschadigd is, buitenshuis is gelaten, in water is gevallen of niet naar behoren werkt, breng het dan terug naar een servicecentrum.
- Houd de kabel van het oplaadstation uit de buurt van verwarmde oppervlakken. Raak de stekker van het oplaadstation of het apparaat niet aan met natte handen. Om de stekker uit het stopcontact te halen, pakt u de stekker van de oplaadbasis vast en niet de kabel.
- Dit apparaat bevat batterijen die niet kunnen worden vervangen.

BEWAAR DEZE INSTRUCTIES



klasse II-apparatuur



tijdsvertraging miniatuur zekering-verbinding waarbij T 3,15A het symbool is voor de tijd/stroom-karakteristiek



afneembare voedingseenheid



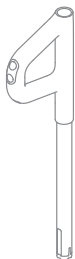
lees de gebruikershandleiding

Wij, Dreame Trading (Tianjin) Co., Ltd., verklaren hierbij dat deze apparatuur aan de toepasselijke richtlijnen, Europese normen en wijzigingen voldoet. De volledige tekst van de EU verklaring van overeenstemming is beschikbaar op het volgende internetadres: <https://global.dreametech.com>

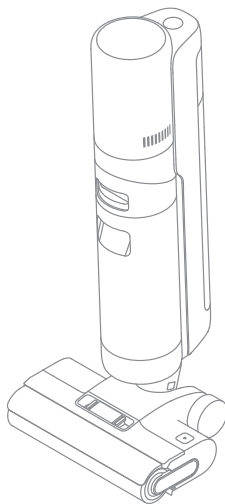
Voor een gedetailleerde e-handleiding, ga naar <https://global.dreametech.com/pages/user-manuals-and-faqs>

Product Overzicht

Verpakkingslijst



Handvat



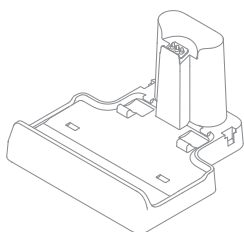
Centrale gedeelte



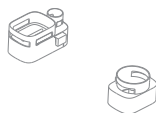
Vervangingsfilter



Reinigingsborstel



Oplaadstation

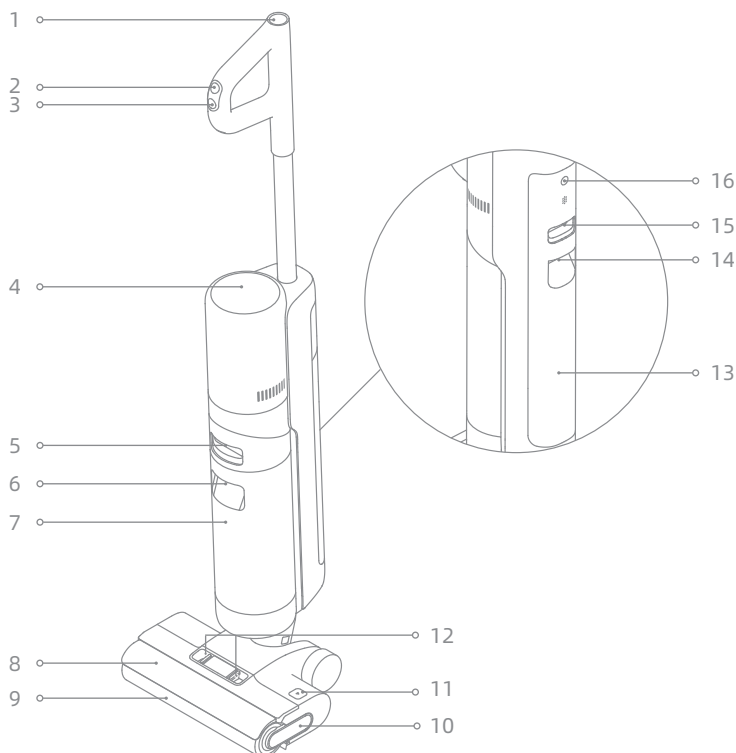


Opslag Doos



Reserve
borstelrol

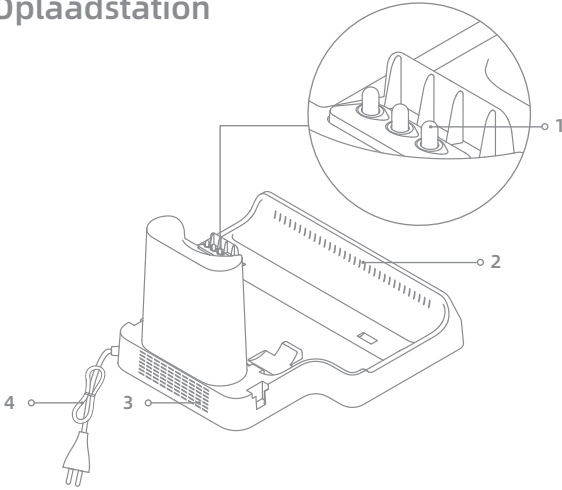
Nat- en droogzuiger



- | | | | | | |
|---|---|----|--|----|---|
| 1 |  Zelfreinigende knop | 8 | Deksel Borstelrol | 15 | Knop voor Vrijgeven van Schoonwatertank |
| 2 |  Modusschakelaar | 9 | Borstelrol | 16 | Knop voor Stemherkenning <ul style="list-style-type: none"> • Druk kort om de stemmelding te activeren of het volume aan te passen. • Houd gedurende 3 seconden ingedrukt om de taal in te stellen. Druk op om tussen talen te schakelen. Houd ingedrukt om de keuze te bevestigen. |
| 3 |  Aan/uit-schakelaar | 10 | Handvat Borstelrol | | |
| 4 | Display Screen | 11 | Knoppen voor Vrijgeven van Borstelrol | | |
| 5 | Knop voor Vrijgeven van Gebruikte Water Tank | 12 | Knoppen voor Vrijgeven van Deksel Borstelrol | | |
| 6 | Handvat Gebruikte Water Tank | 13 | Schoonwatertank | | |
| 7 | Gebruikte Water Tank | 14 | Handvat Schoonwatertank | | |

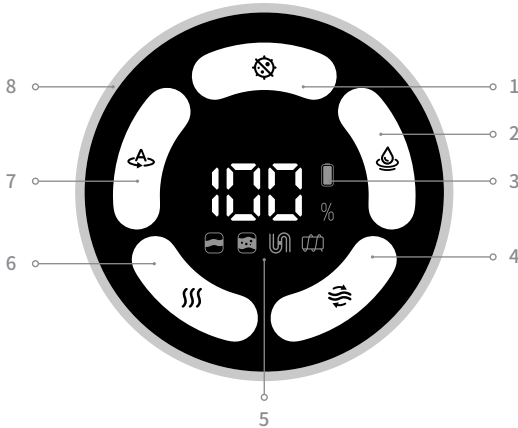
Product Overzicht

Oplaadstation



- 1 Oplaadcontacten
- 2 Luchtdrogende uitlaat
- 3 Luchtdrogende Ingang
- 4 Netsnoer

Scherf



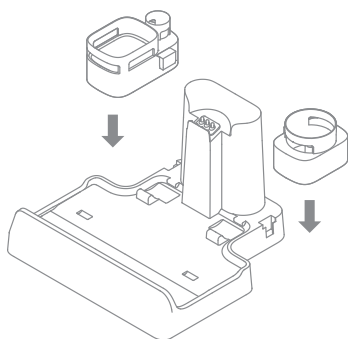
- | | | |
|----------------------------|---|--|
| 1 Ultra-Modus | 5 Foutmeldingen | 6 Droogstand |
| 2 Zuigmodus | Onvoldoende water in de schoonwatertank | 7 Automatische modus |
| 3 Indicator Batterijstatus | Afvalwatertank vol | 8 Vuilconcentratie Indicator |
| 4 Zelfreinigend | Geblokkeerde Buis | De kleur van de indicator verandert in real time, op basis van de hoeveelheid vuil in real time. |
| | Borstelrol zit vast / Borstelrol niet geïnstalleerd | |

Opmerking: Als het apparaat niet goed werkt, wordt op het scherm een foutmelding weergegeven. Raadpleeg de tabel voor het oplossen van problemen om uw oplossing te vinden.

Installatie

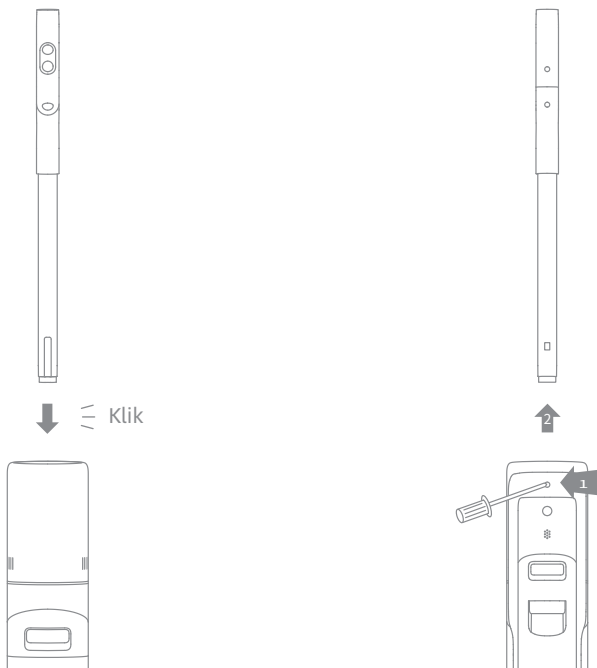
Opslag Doos Installatie

Installeer de Opslag Doos op het oplaadstation zoals aangegeven in het diagram.



Montage en demontage van het Handvat

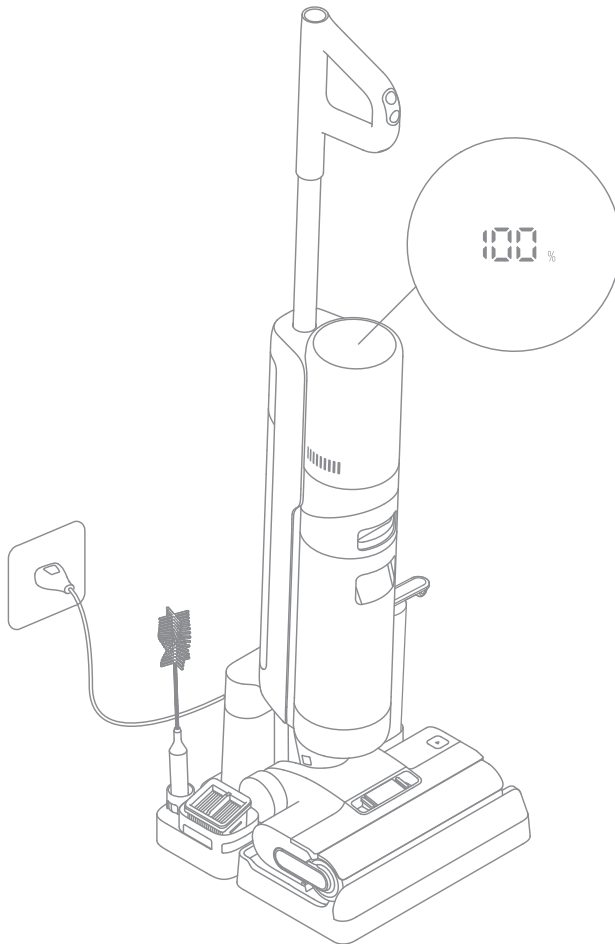
Steek het uiteinde van de handgreep verticaal in de poort op de bovenkant van de zuiger zoals aangegeven totdat u een klik hoort.



Opmerking: Om het apparaat te demonteren, drukt u met het juiste gereedschap op de contacten in de opening aan de achterkant van het apparaat en trekt u tegelijkertijd de handgreep omhoog.

Opladen

1. Plaats de oplaadbasis tegen een muur op een vlakke ondergrond en sluit hem aan op een stroombron. Laad het apparaat volledig op voor het eerste gebruik.
2. Plaats het apparaat op de oplaadbasis. Wanneer de gesproken prompt "Start opladen" wordt weergegeven, activeert het apparaat de oplaadmodus. Tijdens het opladen geeft het getal op het display het huidige batterijniveau in procenten weer. Wanneer het aantal 100 bereikt, is de batterij volledig opgeladen.



Opmerking:

- als er geen bediening plaatsvindt binnen 10 minuten nadat het apparaat volledig is opgeladen, zal de stofzuiger in de slaapstand gaan. Start het apparaat opnieuw op als u het wilt gebruiken.
- Om de levensduur van de batterij te verlengen, koelt de batterij automatisch gedurende ongeveer een uur af nadat u het apparaat gedurende lange tijd hebt gebruikt.

Werksmodi

Het apparaat start standaard in de automatische modus. Afhankelijk van uw behoeften kunt u overschakelen naar de zuigmodus of de ultramodus.



Automatische modus

Tijdens het reinigen van de vloer zal het apparaat automatisch de zuigkracht aanpassen aan verschillende situaties.



Ultra modus

Ultra-modus voorbereiden, wacht 30 seconden. Deze modus is geschikt voor diepe reiniging.

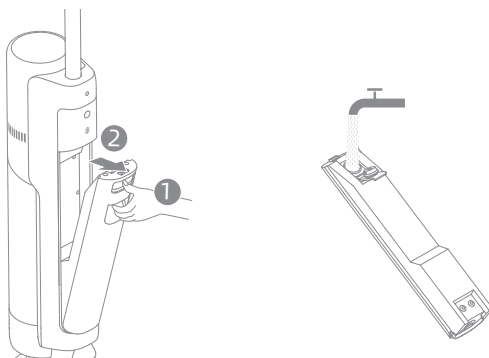


Zuigmodus

Als de zuigmodus is geselecteerd, zuigt het apparaat alleen water op en wordt de borstelrol niet bevochtigd. Er komt geen water uit de schoonwatertank.

Vullen van de schoonwatertank

Druk op de ontgrendelknop van de Schoonwatertank en trek de tank naar buiten om hem te verwijderen. Verwijder het deksel van de schoonwatertank en vul de tank met schoon water. Installeer de schoonwatertank en zorg ervoor dat deze op zijn plaats klikt.



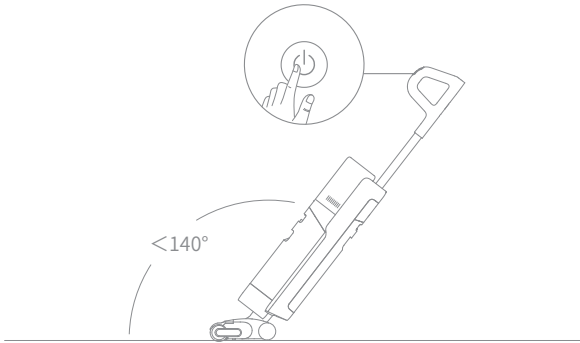
Opmerking:

- Voor een betere reinigingsprestatie wordt aanbevolen 10 ml afwasmiddel met de dop van de fles in de volle tank met schoon water te doen en vervolgens zachtjes en gelijkmatig te schudden voor gebruik.
- Voeg geen andere vloeistoffen toe dan de officieel goedgekeurde reiniger. De reiniger is beschikbaar in de officiële online winkel.

Hoe te gebruiken

Begin met het reinigen

Stap voorzichtig op de borstelkap en kantel het apparaat naar achteren. Druk op de Aan/Uit schakelaar  om het apparaat in gebruik te nemen. Druk op de  om te schakelen tussen de automatische modus - de ultramodus - de zuigmodus volgens uw behoeften.

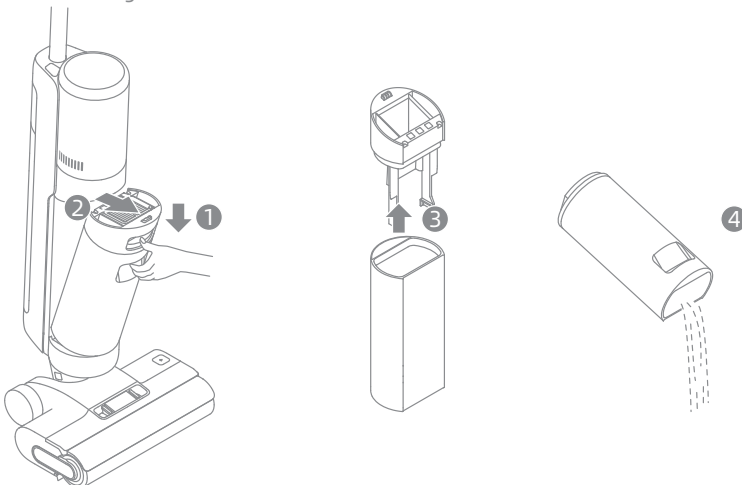


Opmerking:

- Zuig geen schuimende vloeistoffen op.
- Het apparaat moet tijdens het gebruik rechtop staan.
- The appliance is suitable for cleaning floors, marble, tiles and other hard surfaces.
- Het apparaat is geschikt voor het reinigen van vloeren, marmer, tegels en andere harde oppervlakken.
- Kantel het apparaat niet meer dan 140° naar achteren om te voorkomen dat het apparaat water lekt. Als het apparaat in werking is, mag u het niet van de grond tillen of plat neerleggen. Daardoor kan het gebruikte water in de motor stromen.

Reinigen van de Afvalwatertank

Druk op de ontgrendelknop van de Afvalwatertank om de tank eruit te halen. Verwijder het tankdeksel en giet het gebruikte water eruit. Sluit het tankdeksel en installeer de tank opnieuw voor gebruik.




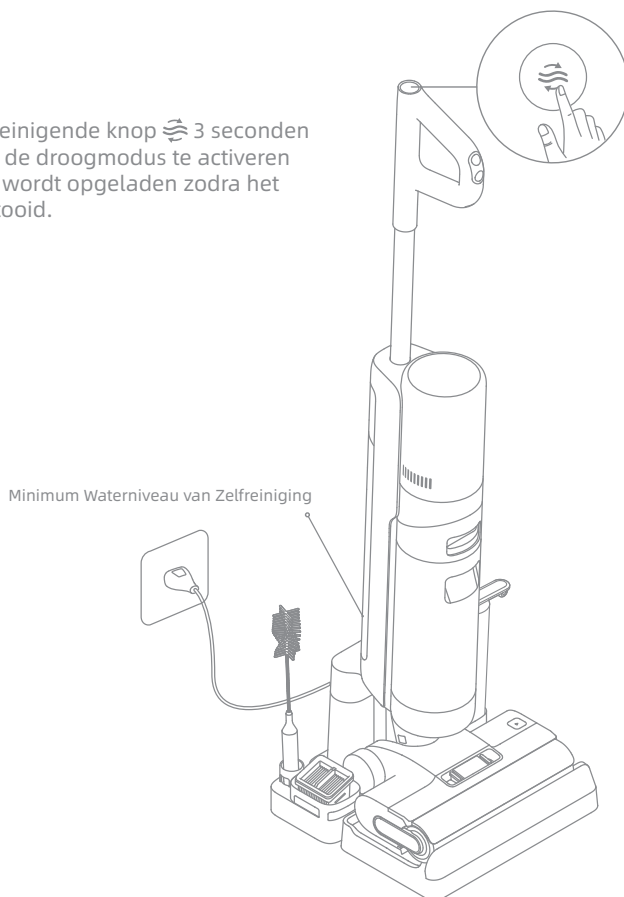
Zelfreiniging met één druk op de knop

1. Plaats het apparaat terug op de basis terwijl u klaar bent met reinigen. Zorg ervoor dat het water in de schoonwatertank voldoende is voor de zelfreiniging.
2. Druk kort op de knop van de zelfreiniging aan de bovenkant van het handvat, de zelfreinigingsindicator licht op en het apparaat begint met de zelfreiniging.
3. Leeg de gebruikte watertank nadat de zelfreiniging is voltooid en de droogstand is ingeschakeld. Druk op de toets  om de droogmodus te verlaten

Let op: De zelfreinigingsfunctie kan alleen worden ingeschakeld als het apparaat wordt opgeladen en het batterijniveau meer dan 15% is.

Droogstand

1. Houd de zelfreinigende knop  3 seconden ingedrukt om de droogmodus te activeren
2. Het apparaat wordt opgeladen zodra het drogen is voltooid.



Let op:

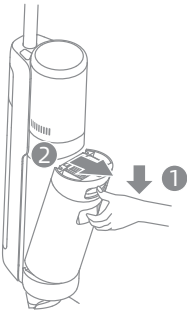
- Nadat de zelfreiniging is voltooid, reinigt u onmiddellijk de gebruikte watertank. Reinig de oplaadbasis als er vlekken op de basis zijn achtergebleven.
- Als u de borstelrol handmatig reinigt, droog hem dan grondig aan de lucht of gebruik de droogmodus meerdere keren om een goed droogeffect te garanderen.

Tips:

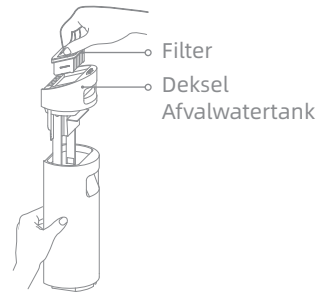
- Schakel het apparaat uit voor onderhoud. Raak de aan/uit-schakelaar niet aan.
- Vervang onderdelen indien nodig. De onderdelen moeten worden vervangen door de onderdelen die verkrijgbaar zijn bij de fabrikant of zijn servicevertegenwoordiger.
- Als de stofzuiger gedurende langere tijd niet wordt gebruikt, laad hem dan volledig op, haal de stekker uit het stopcontact en bewaar de stofzuiger in een koele, vochtarme omgeving, uit de buurt van direct zonlicht. Om overontlading van de batterij te voorkomen, laadt u de stofzuiger ten minste eenmaal per 3 maanden op.

Reinigen van de Afvalwatertank en de Filter

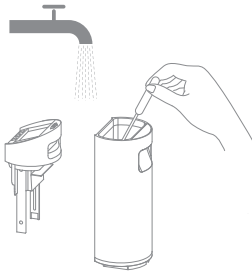
1. Druk op de ontgrendelknop van de Afvalwatertank en trek de afvalwatertank naar buiten om hem te verwijderen.



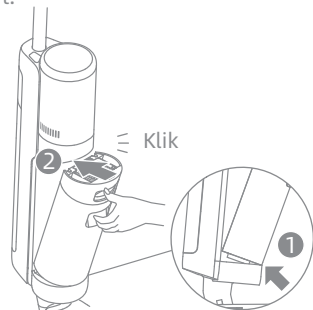
2. Neem het filter uit het deksel van de afvalwatertank. Verwijder het tankdeksel en maak de tank leeg.



3. Spoel de Afvalwatertank en het tankdeksel met schoon water. Reinig de tank met de bijgeleverde reinigingsborstel.



4. Plaats het filter en het deksel van de Afvalwatertank terug. Plaats vervolgens de Afvalwatertank terug totdat u een klik hoort.



Opmerking:

- Als het filter vuil is, spoel het dan af met schoon water en droog het volledig af voor gebruik.
- Aanbevolen wordt het filter om de 3 tot 6 maanden te vervangen.

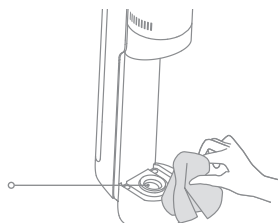
Verzorging & Onderhoud

Reinigen van de Buis en de Vuilsensor

Verwijder de Afvalwatertank en veeg de slang en de vuilsensor voor gebruik af met een natte doek.

Let op: Spoel de buis of de vuilsensor niet af.

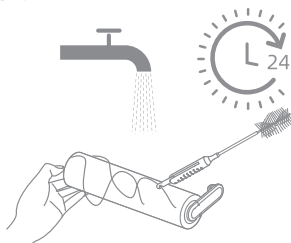
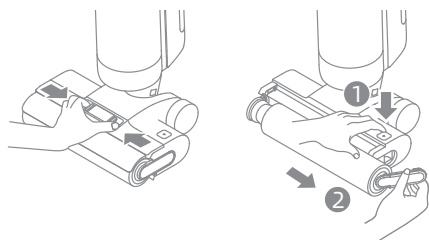
Vuilsensor



Reinigen van de Borstelconstructie

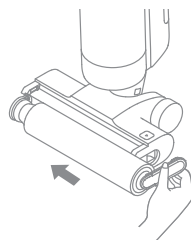
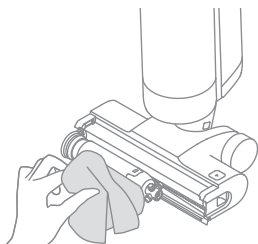
1. Druk eerst de ontgrendelingsknoppen van het borstelroldeksel aan beide zijden naar binnen om het borstelroldeksel te verwijderen. Druk op de ontgrendelknop van de borstelrol en de hendel van de borstelrol springt eruit. Trek eraan om de borstelrol eruit te halen.

2. Verwijder de haren en het vuil dat op de borstelrol vastzit met de bijgeleverde reinigingsborstel. Spoel de borstelroller met schoon water. Droog de borstelrol grondig aan de lucht of droog hem door de droogmodus meerdere keren te activeren.



3. Veeg de aanzuigopening schoon met een droge doek of een natte tissue. Spoel de borstelconstructie niet af met water.

4. Plaats de borstelrol en het deksel van de borstelroller terug totdat u een klik hoort.



Let op:

- Reinig naar behoefte. Het afwisselend gebruik van de twee meegeleverde borstelrollen wordt aanbevolen.
- Het wordt aanbevolen om de borstelrol elke 3 tot 6 maanden te vervangen.

Als er een fout optreedt, zal het apparaat stoppen met werken. Raadpleeg de volgende tabel voor het oplossen van problemen. Als het probleem blijft bestaan, neem dan contact op met de klantenservice.


Fout	Mogelijke oorzaak	Oplossing
Het apparaat werkt niet	De batterij van het apparaat is leeg of het batterijniveau is laag	Laad de batterij volledig op voor gebruik
	Het apparaat staat rechtop	Zet het apparaat achterover
	Blokkering geactiveerde oververhittingsbeveiligingsmodus	Verwijder de blokkade en wacht tot de temperatuur weer normaal is
	De Afvalwatertank is vol	Leeg de Afvalwatertank
	Het handvat, de borstelroller of gebruikt watertank is niet juist geïnstalleerd	Zorg ervoor dat het handvat, borstelroller of vuilwatertank goed op hun plaats zitten
Het apparaat laadt langzaam op	De temperatuur van de batterij is te laag of te hoog.	Wacht tot de temperatuur van de batterij weer normaal is
De zuigkracht van het apparaat is zwak	Het filter is verstopt	Het filter reinigen
	De aanzuigopening of -buis is geblokkeerd door een vreemd voorwerp	Reinig de buis en de aanzuigopening
De motor maakt een vreemd geluid	Er zit te veel vuil water in de Afvalwatertank	Leeg de Afvalwatertank
	De aanzuigopening is geblokkeerd	Verwijder eventuele verstoppingen in de aanzuigopening
De vuil concentratie indicator is onderbroken rood	De vuilsensor moet gereinigd worden	De vuil-sensor zit in de buis. Volg de instructies voor het reinigen van de buis
	De concentratie reinigingsvloeistof is te hoog	Verdun de reinigingsoplossing met water in de aanbevolen verhouding
	Een reinigingsoplossing van derden heeft een grote hoeveelheid schuim veroorzaakt	Gebruik alleen het officieel goedgekeurde reinigingsmiddel

Het scherm licht niet op tijdens het opladen	De kabel van het oplaadstation is niet aangesloten op het stopcontact	Zorg ervoor dat de kabel van het oplaadstation is aangesloten op het stopcontact
	Het apparaat is niet goed op het oplaadstation geplaatst	Zorg ervoor dat het apparaat correct op het oplaadstation is geplaatst
Er komt geen water uit het apparaat	De schoonwatertank is niet goed op zijn plaats geïnstalleerd, of er is onvoldoende water in de schoonwatertank	Installeer of vul de schoonwatertank opnieuw
	Het duurt 30 seconden om de borstelrol te bevochtigen	Zet het apparaat aan en controleer het over 30 seconden opnieuw
De ontluchting lekt water	Door een botsing of een scherpe trekkracht komt er water in de motor	Beweeg het apparaat voorzichtig heen en weer terwijl het is ingeschakeld
	Het filter is niet helemaal droog na het reinigen	Droog het filter volledig voor gebruik
De zelfreiniging mislukt	De borstelrol kan vastgelopen zijn door grote vuildeeltjes	Open het deksel van de borstelrol om de borstelroller te controleren en te reinigen
	Het apparaat is niet goed op het oplaadstation geplaatst	Zorg ervoor dat het apparaat is opgeladen voordat u de zelfreinigingsfunctie inschakelt
	De zelfreiniging kan niet worden ingeschakeld als het batterijniveau lager dan 15% is	De zelfreiniging kan alleen worden ingeschakeld als het apparaat is opgeladen en het batterijniveau meer dan 15% is
	De Afvalwatertank is niet op zijn plaats geïnstalleerd, of de Afvalwatertank is vol	Installeer opnieuw of leeg de Afvalwatertank
	De Schoonwatertank is niet op zijn plaats geïnstalleerd, of er zit onvoldoende water in de Schoonwatertank	Installeer opnieuw of vul de Schoonwatertank
Slechte droogprestaties of vreemd geluid tijdens het drogen	De luchtuitlaat en luchtinlaat van het oplaadstation kunnen mogelijk geblokkeerd zijn	Controleer en verwijder de verstopping van de luchtuitlaat en luchtinlaat

Voor extra diensten, neem contact met ons op via aftersales@dreame.tech
<https://global.dreametech.com>

Problemen oplossen

Als het apparaat niet goed werkt, verschijnt er een foutmelding op het scherm. Raadpleeg de tabel voor het oplossen van problemen.

Fout Pictogram	Mogelijke oorzaak	Oplossing
	Onvoldoende water in Schoonwatertank	Vul de schoonwatertank
	De Gebruikte Watertank is vol	Leeg de Afvalwatertank
	Borstelrol zit vast	Reinig de borstelrol met de bijgeleverde reinigingsborstel
	Borstelrol niet geïnstalleerd	Installeer de borstelrol
	Geblokkeerde buis	Controleer of het filter verstopt is. Maak ook de slang en de vuilsensor schoon

Probleemoplossing Code	Mogelijke Oorzaak	Oplossing
E1-E7	Fout	Start het apparaat opnieuw op om het probleem op te lossen. Als het probleem aanhoudt, neem dan contact op met de klantenservice
H1-H6		
H7	Oververhitting van de Batterij	Wacht tot de temperatuur van de batterij weer normaal is

NL Specificaties

Nat en droog vacuüm			
Model	HHR25A	Oplaadtijd	ca. 4,5 uur (inclusief drogen)
		Droog tijd	1 uur
Nominale spanning	21,6 V ===	Laadspanning	27 V ===
Nominaal Vermogen	300 W	Capaciteit van Afvalwatertank	700 mL
		Capaciteit van Schoonwatertank	900 mL
Oplaadstation			
Model	HCB3		
Invoer	220-240 V~ 50/60 Hz 150 W	Uitvoer	27V === 1,6 A

Het nominale vermogen van het oplaadstation is het vermogen wanneer de droogfunctie en de oplaadfunctie tegelijkertijd ingeschakeld zijn.

Batterij Weggoien en Verwijderen

De ingebouwde lithium-ion batterij bevat stoffen die schadelijk zijn voor het milieu. Voordat u de batterij weggooit, moet u ervoor zorgen dat de batterij door gekwalificeerde technici wordt verwijderd en naar een geschikt recyclingbedrijf wordt afgevoerd.

- de batterij moet uit het apparaat worden verwijderd voordat het wordt weggegooid;
- het apparaat moet van het stroomnet worden losgekoppeld wanneer de batterij wordt verwijderd;
- de batterij op veilige wijze moet worden afgevoerd.

Verwijderingsgids

1. Verwijder het beeldscherm door het te draaien met een gereedschap.
2. Verwijder achtereenvolgens de schroeven van het batterijdeksel en wrik het deksel vervolgens open met het juiste gereedschap.
3. Maak de aansluitingen tussen de batterij en de printplaat los om de batterij te verwijderen.

LET OP:

- Voordat u de batterij verwijdert, moet de stroom worden uitgeschakeld en de batterij zoveel mogelijk worden leeggemaakt.
- Ongebruikte batterijen moeten worden weggegooid bij een geschikt recyclingbedrijf.
- Niet blootstellen aan een omgeving met hoge temperaturen om explosiegevaar te voorkomen.
- Onder extreme omstandigheden kan er vloeistof uit de batterij komen. Als contact optreedt, spoelen met water en medische hulp inroepen.

WEEE Informatie



Alle producten met dit symbool zijn afgedankte elektrische en elektronische apparaten (WEEE-richtlijn in 2012/19/EU) die niet mogen worden gemengd met ongesorteerd huishoudelijk afval. In plaats daarvan moet u de menselijke gezondheid en het milieu beschermen door uw afgedankte apparatuur in te leveren bij een aangewezen inzamelpunt voor de recycling van afgedankte elektrische en elektronische apparatuur, dat is aangewezen door de overheid of lokale autoriteiten. Een correcte verwijdering en recycling zal helpen mogelijke negatieve gevolgen voor het milieu en de volksgezondheid te voorkomen. Neem contact op met de installateur of de lokale autoriteiten voor meer informatie over de locatie en de voorwaarden van dergelijke inzamelpunten.

- The word "dreame" is the abbreviation of Dreame Technology Co., Ltd. and its subsidiaries in China. It is the transliteration of the company's Chinese name "追觅", which means striving for excellence in every endeavor and reflects the company's vision of continuous pursuit, exploration and search in technology.
- Das Wort "dreame" ist die Abkürzung von Dreame Technology Co., Ltd. und seinen Tochterunternehmen in China. Es ist die Transliteration des chinesischen Namens "追觅" dieser Firma, was für das Streben nach Vollendung steht und die Vision des Unternehmens widerspiegelt, nämlich im Bereich der Technologie unaufhaltsam weiterzustreben, zu erforschen und entdecken.
- Dreame est l'abréviation de l'entreprise chinoise Dreame Technology Co., Ltd. et ses filiales, qui est la traduction phonétique du nom chinois de l'entreprise « 追觅 », reflétant la vision de l'entreprise qui consiste à poursuivre, explorer et rechercher constamment les avancées technologiques.
- La parola "dreame" è l'abbreviazione dell'azienda Dreame Technology Co., Ltd. e delle sue filiali in Cina. È la traslitterazione del nome cinese dell'azienda "追觅", che dimostra la continua ricerca, esplorazione e visione di ricerca dell'azienda nella tecnologia.
- La palabra "dreame" es la abreviatura de Dreame Technology Co., Ltd. y sus subsidiarias en China. Es la transliteración del nombre chino de "追觅", que significa luchar por la excelencia en cada esfuerzo y refleja la visión de la compañía de continuamente buscar, explorar e investigar en tecnologías.
- Dreame — сокращённое название китайской компании Dreame Technology Co., Ltd. и ее дочерних предприятий. Dreame является транслитерацией названия компании на китайском языке « 追觅 », в котором отражено корпоративное видение компании в сфере науки и технологий — непрерывный поиск, исследования и стремление к успеху.
- Słowo "dreame" to skrót od Dreame Technology Co., Ltd. i spółek w Chinach. Jest to transliteracja chińskiej nazwy firmy "追觅" co oznacza dążenie do doskonałości w każdym przedsięwzięciu, odzwierciedlając wizję firmy, jak jest cię prowadzenie, odkrywanie i poszukiwania w nauce i technologii.
- Dreame Technology Co., Ltd. and its subsidiaries 追觅 של המוצר היסודי והמבוסס על ציליל השם היסודי "追觅" וממשיך בתוכו את חזון החברה לחפש ולקדם באופן בלתי פוסק תחום הטכנולוגיה.
- Het woord "dreame" is de afkorting van Dreame Technology Co., Ltd. en zijn dochterondernemingen in China. Het is de transliteratie van de Chinese naam van het bedrijf "追觅", wat betekent streven naar uitmuntendheid in elke inspanning en weerspiegelt de visie van het bedrijf van continu streven, verkennen en zoeken in technologie.
- คำว่า "dreame" เป็นชื่อย่อของ Dreame Technology Co., Ltd. และบริษัทย่อยในประเทศจีน เป็นคำทับศัพท์ของ "追觅" ซึ่งภาษาจีนของบริษัท ซึ่งหมายถึงมีความพยายามมุ่งมั่นเพื่อสร้างความเป็นเลิศ และสะท้อนให้เห็นถึงวิสัยทัศน์ของบริษัทในการแสวงหา การพัฒนา และการค้นคว้าทางด้านเทคโนโลยีอย่างต่อเนื่อง
- "Dreame" là từ viết tắt của Dreame Technology Co., Ltd. và các công ty con của nó tại Trung Quốc. Đây là phiên âm từ tên tiếng Trung của công ty "追觅", với ý nghĩa luôn nỗ lực để đạt được sự xuất sắc, đồng thời phản ánh tầm nhìn của công ty về việc không ngừng theo đuổi, khám phá và tìm kiếm trong lĩnh vực công nghệ.



Website: <https://global.dreametech.com>

Manufactured by: Dreame Trading (Tianjin) Co., Ltd.

Made in China

08/2022

HHR25A-EU-A01