

EN The word "dreame" is the abbreviation of Dreame Technology Co., Ltd. and its subsidiaries in China. It is the transliteration of the company's Chinese name " 追觅 ", which means striving for excellence in every endeavor and reflects the company's vision of continuous pursuit, exploration and search in technology.

DE Das Wort "dreame" ist die Abkürzung von Dreame Technology Co., Ltd und seinen Tochterunternehmen in China. Es ist die Transliteration des chinesischen Namens " 追觅 " dieser Firma, was für das Streben nach Vollendung steht und die Vision des Unternehmens widerspiegelt, nämlich im Bereich der Technologie unaufhaltsam weiterzustreben, zu erforschen und entdecken.

FR Dreame est l'abréviation de l'entreprise chinoise Dreame Technology Co. et ses filiales, qui est la traduction phonétique du nom chinois de l'entreprise, reflétant la vision de l'entreprise qui consiste à poursuivre, explorer et rechercher constamment les avancées technologiques.

IT La parola "dreame" è l'abbreviazione dell'azienda Dreame Technology Co., Ltd. e delle sue filiali in Cina. È la traslitterazione del nome cinese dell'azienda " 追觅 ", che dimostra la continua ricerca, esplorazione e visione di ricerca dell'azienda nella tecnologia.

ES La palabra "dreame" es la abreviatura de Dreame Technology Co., Ltd. y sus subsidiarias en China. Es la transliteración del nombre chino de "Dreame", que significa luchar por la excelencia en cada esfuerzo y refleja la visión de la compañía de continuamente buscar, explorar e investigar en tecnologías.

RU Dreame — сокращённое название китайской компании Dreame Technology Co., Ltd. и ее дочерних предприятий. Dreame является транслитерацией названия компании на китайском языке « 追觅 », в котором отражено корпоративное видение компании в сфере науки и технологий — непрерывный поиск, исследования и стремление к успеху.

PL Stowo "dreame" to skrót od Dreame Technology Co., Ltd. i spółek w Chinach. Jest to transliteracja chińskiej nazwy firmy " 追觅 " co oznacza dążenie do doskonałości w każdym przedsięwzięciu, odzwierciedlając wizję firmy, jaką są ciągłe prowadzenie, odkrywanie i poszukiwania w nauce i technologii.

HE Dreame הינו שמו המקוצר של החברה הסינית Dreame Technology Co., Ltd. and its subsidiaries. זהו תעתיק המבוסס על צליל השם הסיני " 追觅 " וממחיש בתוכו את חזון החברה לחפש ולדרוך באופן בלתי פוסק בתחום הטכנולוגיה.

SA دريم هي مؤسسة صينية ويطلق على شركة دريم للتكنولوجيا المحدودة والشركات التابعة لها، وتعكس الترجمة الصوتية للمسمى الصيني " 追觅 " رؤية الشركة للسعي المستمر والاكتشاف والبحث في التكنولوجيا.

NO Ordet "dreame" er forkortelsen for Dreame Teknologi Co.Ltd. og dets datterselskaper i Kina. Det er transliterasjonen av selskapets kinesiske navn " 追觅 ", noe som betyr å strebe etter fortreffelighet i alle bestrebelser og gjenspeiler selskapets visjon om kontinuerlig jakt, leting og søk i teknologi.

SV Ordet "dreame" är en förkortning för Dreame Technology Co., Ltd. och dess dotterbolag i Kina. Det är transkriberingen av företagens kinesiska namn " 追觅 ", som betyder strävan efter högsta kvalitet i alla angelägenheter och återspeglar företagens vision om kontinuerlig strävan, utforskning och sökande inom teknik.



For more support, contact us via aftersales@dreame.tech

Website: <https://global.dreametech.com>

Manufactured by: Dreame Trading (Tianjin) Co., Ltd.

Made in China

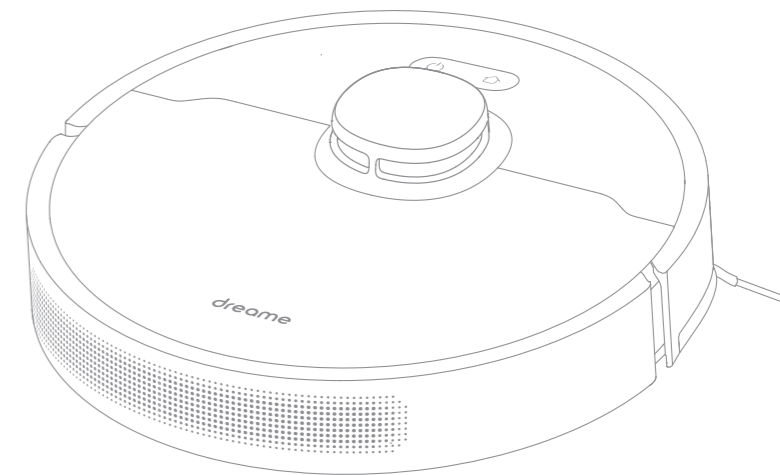


RLS3L-EU-A02
11/2022

DreameBot D10s

Robot Vacuum and Mop

User Manual



The illustrations in this manual are for reference only. Please refer to the actual product.

dreame

Contents

EN	User Manual	1
DE	Benutzerhandbuch	24
FR	Manuel d'utilisation	48
IT	Manuale utente	71
ES	Manual de usuario	94
RU	Инструкция по эксплуатации	117
PL	Instrukcja obsługi	141
HE	מדריך למשתמש	164
SA	دليل المستخدم	186
NO	Brukerhåndbok	207
SV	Användarmanual	230

Safety Information

To avoid electric shock, fire or injury caused by improper use of the appliance, please read the user manual carefully before using the appliance and keep it for future reference.

- Usage Restrictions**
- This product should not be used by children younger than 8 years old nor persons with physical, sensory, intellectual deficiencies, or limited experience or knowledge without the supervision of a parent or guardian to ensure safe operation and to avoid any risks. Cleaning and maintenance shall not be performed by children without supervision.
 - Children shall not play with this product. Ensure children and pets are kept at a safe distance from the robot while it is operating.
 - This product is for floor cleaning in a home environment only. Do not use it outdoors, on non-floor surfaces, or in a commercial or industrial setting.
 - If the power cord becomes damaged or broken, stop using it immediately and contact after-sales service.
 - Do not use the robot in an area suspended above ground level without a protective barrier.
 - Do not place the robot upside down. Do not use the LDS cover, robot cover, or bumper as a handle for the robot.
 - Do not use the robot at an ambient temperature above 40° C or below 0° C or on a floor with liquids or sticky substances.
 - Pick up any cables from the floor before using the robot to prevent it from

Safety Information

Usage Restrictions

- dragging them while cleaning.
- Remove fragile or small items from the floor to prevent the robot from bumping into and damaging them.
- To prevent damage or harm from dragging, clear any loose objects from the floor, and remove cables or power cords on the cleaning path before operating the appliance.
- Keep hair, fingers, and other body parts away from the suction opening of the robot.
- Keep the brush cleaning tool out of reach of children.
- Do not place children, pets, or any item on top of the robot regardless of whether it is stationary or moving.
- Do not use the robot to clean any burning objects. Do not use the robot to pick up flammable or combustible liquids, corrosive gases, or undiluted acids or solvents.
- Do not vacuum hard or sharp objects. Do not use the appliance to pick up objects such as stones, large pieces of paper or any item that may clog the appliance.
- Make sure the robot is turned off and the charging dock is unplugged before cleaning or performing maintenance.
- Do not use a wet cloth to wipe or any liquid to rinse the robot and charging

Safety Information

Usage Restrictions

- dock. Washable parts must be dried completely before installing and using them.
- Make sure the robot is turned off when being transported and kept in its original packaging if possible.
- Please use this product in accordance with the instructions in the User Manual. Users are responsible for any loss or damage that arise from improper use of this product.

Batteries and Charging

- Do not use any third-party battery, power cord, or charging dock. Use only with RCS0 supply unit.
- Do not attempt to disassemble, repair, or modify the battery or charging dock on your own.
- Do not place the charging dock near a heat source.
- Do not use a wet cloth or wet hands to wipe or clean the dock's charging contacts.
- Do not improperly dispose of old batteries. Unneeded batteries should be discarded at an appropriate recycling facility.
- If the robot will not be used for an extended period, fully charge it, then turn it off and store in a cool, dry place. Recharge the robot at least once every 3 months to avoid over-discharging the battery.
- This product contains batteries that can only be replaced by qualified technicians or after-sales service.

Laser Safety Information

- The laser sensor in this product meets the IEC 60825-1: 2014 Standard for Class 1 laser products. Please avoid direct eye contact with it during use.

Hereby, Dreame Trading (Tianjin) Co., Ltd. declares that the radio equipment type RLS3L is in compliance with Directive 2014/53/EU. The full text of the EU declaration of conformity is available at the following internet address: <https://global.dreame.tech.com>

For detailed e-manual, please go to <https://global.dreame.tech.com/pages/user-manuals-and-faqs>

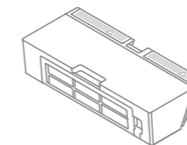
Product Overview

Accessories

Pre-Installed Accessories



Main Brush

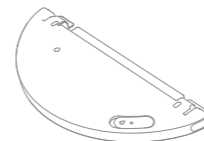


Dust Bin



Cleaning Tool

Other Accessories



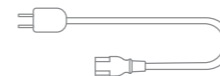
Water Tank



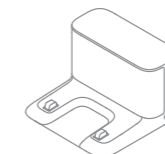
Mop Pad



Side Brush

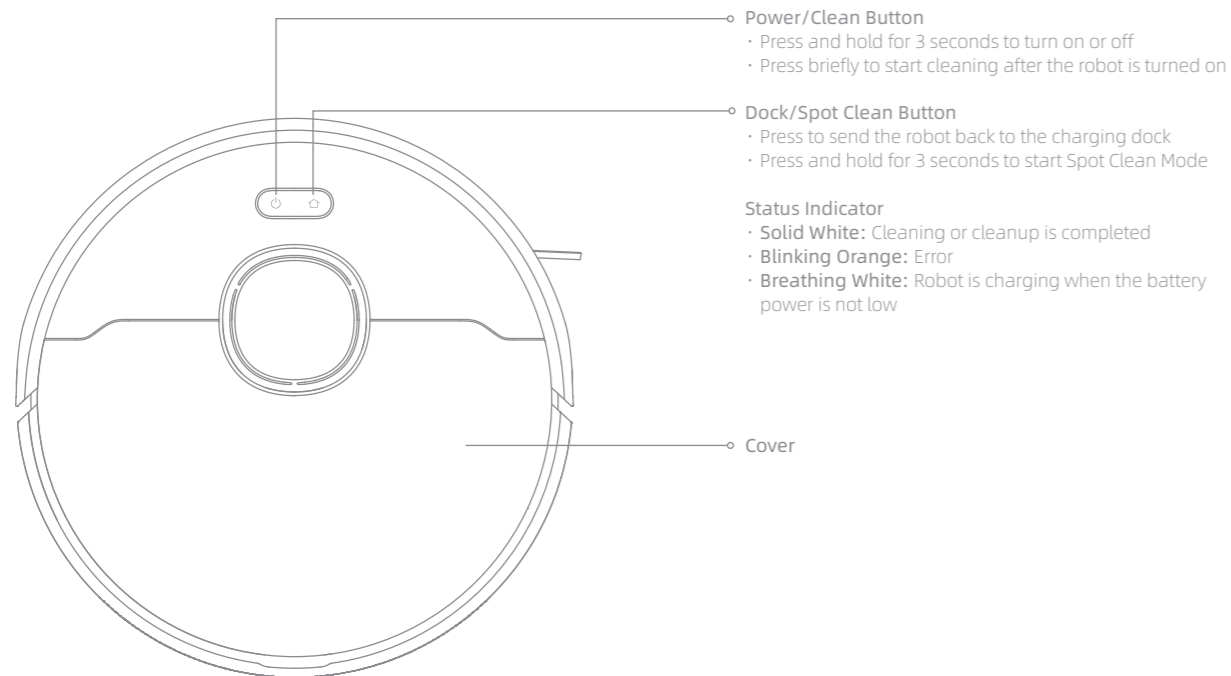


Power Cord

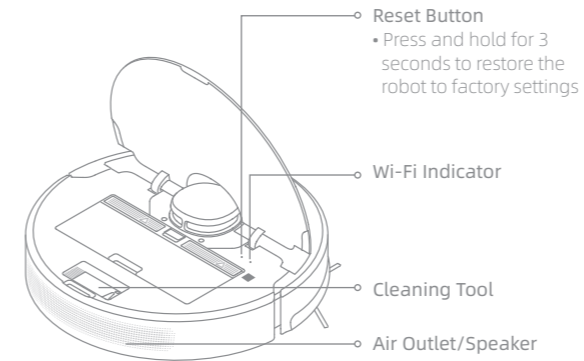


Charging Dock

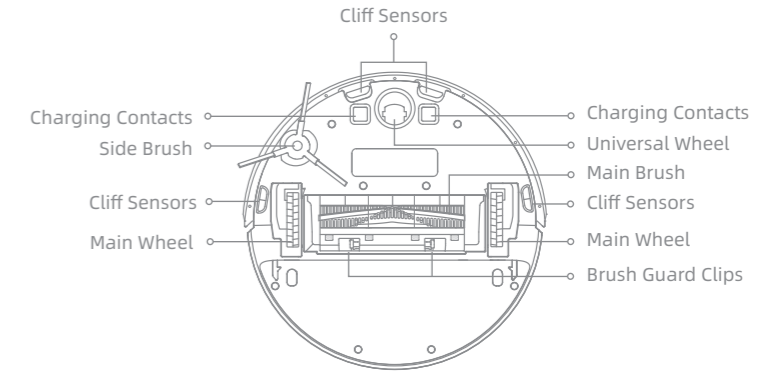
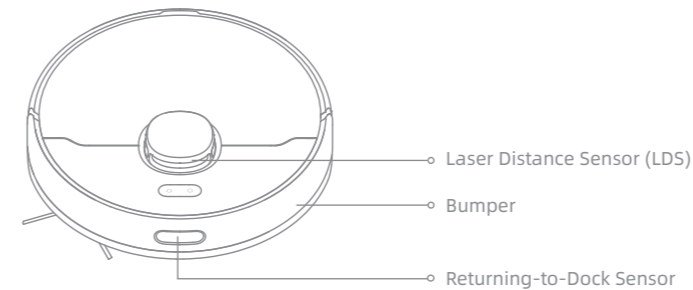
Robot



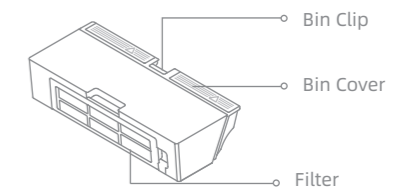
Robot



Robot Sensors



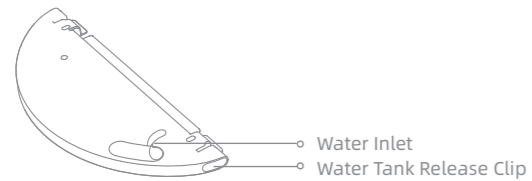
Dust Bin



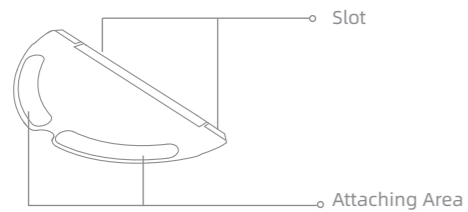
Product Overview

Mopping Module

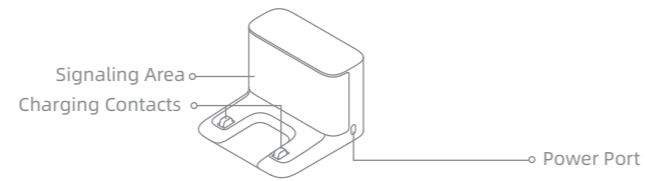
Water Tank



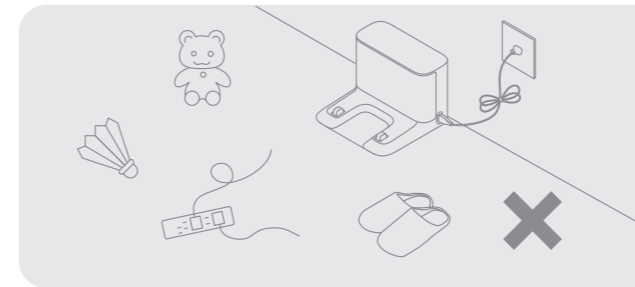
Mop Pad



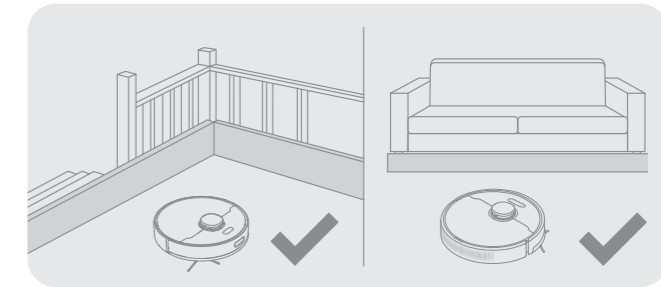
Charging Dock



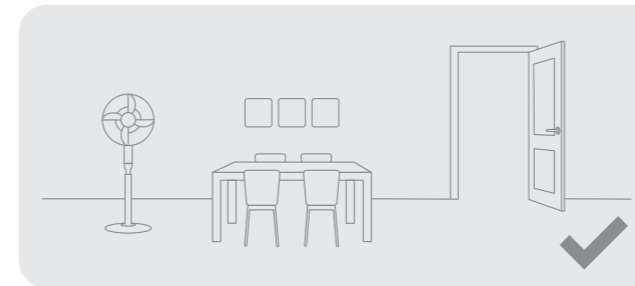
Preparing Your Home



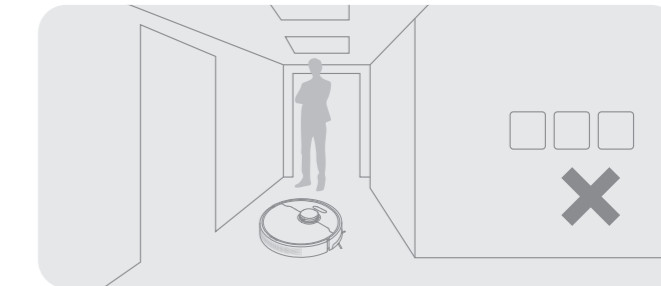
Tidy up items such as power cords, cloths, slippers, and toys to improve the efficiency of the robot.



Before cleaning, place a physical barrier at the edge of the stairs and sofa to ensure safe and smooth operation of the robot.



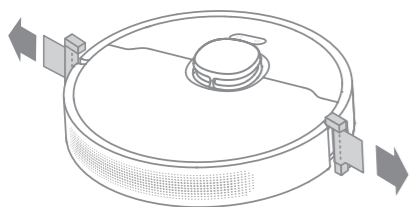
Open the door of the room to be cleaned, and put the furniture in its proper place to make more space.



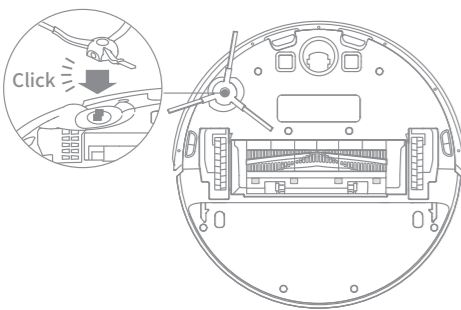
To prevent the robot from not recognizing the area that needs to be cleaned, do not stand in the front of the robot, threshold, hallway, or narrow places.

Note: When operating the robot for the first time, follow it around while cleaning to remove any potential obstacles in time.

1. Remove the protective strips



2. Install the side brush

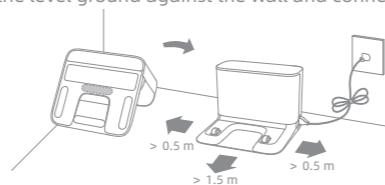


Note: Install the side brush until it clicks into place.

3. Set up the charging dock

Peel off the double-sided tape at the bottom of the charging dock, then place the dock on the level ground against the wall and connect it to a power outlet.

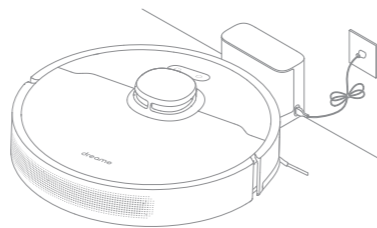
Within the Good Wi-Fi Range



Note:

- Keep the immediate area 1.5m in front of the charging dock and 0.5m to its both sides clear of objects.
- Do not place the charging dock in an area with direct sunlight or where other objects might block the signal, as this may hinder the robot from returning to the charging dock.
- Please clean the floor area where the charging dock will be placed with a dry rag.
- Use of the double-sided tape is based on your need.
- If necessary, remove the double-sided tape slowly to reduce adhesive residue.

4. Place the robot onto the charging dock to charge



Note:

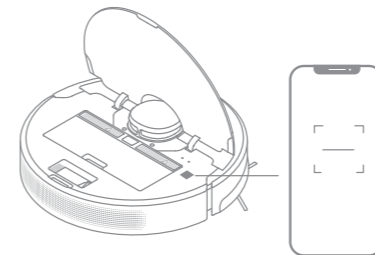
- Fully charging is recommended before first-time use. This ensures that the robot returns to the charging dock successfully.
- Do not move the the charging dock while the robot is cleaning.

Connecting with Dreamehome App

This product works with the Dreamehome app, which can be used to control your device.

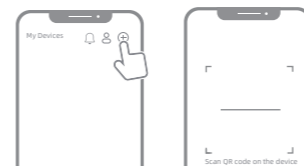
1. Download the Dreamehome App

Scan the QR code on the robot, or search "Dreamehome" in the app store to download and install the app.



2. Add Device



Open the Dreamehome app, tap "+" in the upper right, and scan the QR code above again to add "DreameBot D10s". Please follow the prompts to finish the Wi-Fi connection.

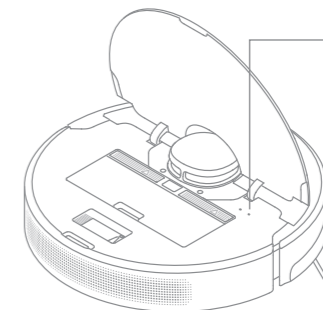


Note:

- Only 2.4GHz Wi-Fi is supported.
- Due to upgrades in the app software, the actual operations may be different from the statements in this manual. Please follow the instructions based on the current app version.

3. Reset Wi-Fi

Simultaneously press and hold the buttons  and  until you hear a voice prompt saying, "Waiting for the network configuration." Once the Wi-Fi indicator is blinking slowly, the Wi-Fi has been successfully reset.



- Wi-Fi Indicator
- Blinking slowly: To be connected
 - Blinking quickly: Connecting
 - On: Wi-Fi connected

Note: If your robot cannot connect to the app successfully, reset the Wi-Fi and add the device again.

Routine Maintenance

To keep the robot in good condition, it is recommended to refer to the following table for routine maintenance.

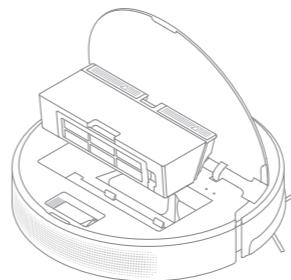
Part	Maintenance Frequency	Replacement Period
Mop pad	After each use	Every 3 to 6 months
Main brush	Once every 2 weeks	Every 6 to 12 months
Dust bin filter		Every 3 to 6 months
Side brush		
Charging dock's signaling area	Once every month	/
Charging contacts		
Universal wheel		
Laser Distance Sensor (LDS)		
Cliff sensors		
Water tank	Clean it as needed	/
Dust bin		

Note: The replacement frequency will depend on your usage of the robot. If an exception occurs due to special circumstances, the parts should be replaced.

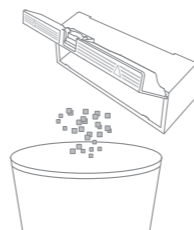
Routine Maintenance

Clean the Dust Bin and Filter

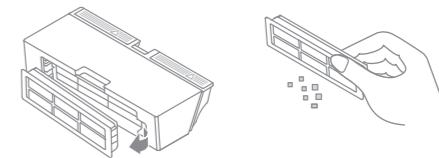
1. Open the robot cover, then press the dust bin clip to remove the dust bin.



2. Open the bin cover and empty the bin as shown in the diagram.



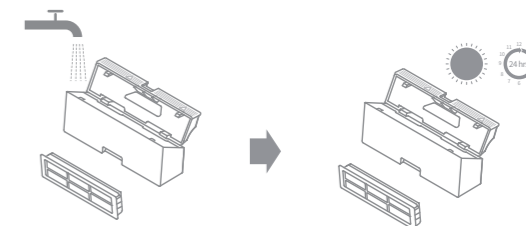
3. Remove the filter and tap its basket gently.



Note:

- Do not attempt to clean the filter with a brush, a finger or sharp objects to prevent damage.

4. Rinse the dust bin and filter with water and dry them completely before reinstalling.



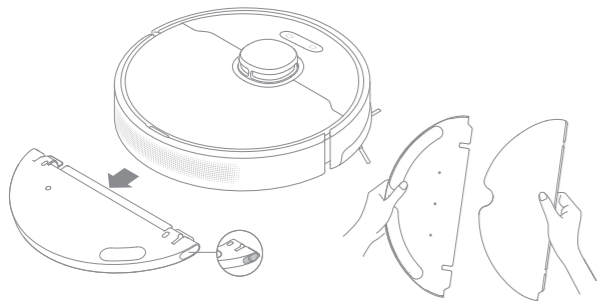
Note:

- Rinse the dust bin and filter with clean water only. Do not use any detergent.
- Use the dust bin and filter only when they are completely dry.

Routine Maintenance

Clean the Mopping Module

1. Slide the two release clips on the side of the water tank, remove the mopping module, and pull the mop pad off the mopping module.

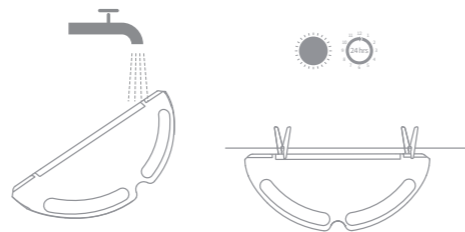


2. Pour out the water in the tank. Clean with only water and leave it to air-dry before re-installing.



Note: Do not expose the tank to the sun directly.

3. Clean the mop pad with water only and leave to air dry before re-installing.



Note:

- Remove the pad from the mopping module before cleaning it, and make sure dirty water does not flow back into the water outlet to avoid clogging.

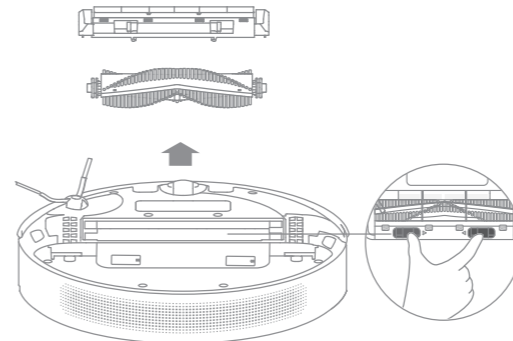
4. If slow water flow occurs, or the outflow is not well-distributed, clean the air hole in the cover of the water tank.



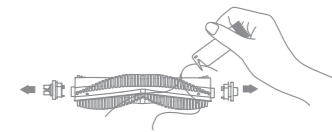
Routine Maintenance

Clean the Main Brush

1. Press the brush guard clips inwards to remove the brush guard and lift the brush out of the robot.



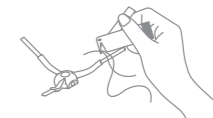
2. Pull out the brush cover as shown in the diagram. Use the included cleaning tool to remove any hairs tangled in the brush.



Note: Do not pull out the hair tangled in the main brush excessively. Otherwise, the brush may be damaged.

Clean the Side Brush

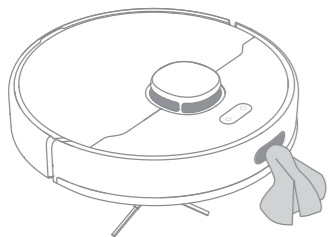
Pull out the side brush and use the included cleaning tool to remove any hair tangled in the brush.



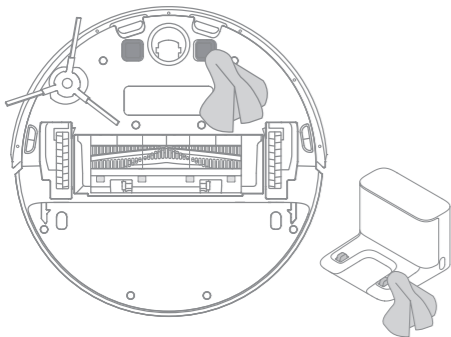
Routine Maintenance

Note: Wet cloths can damage sensitive elements within the robot and charging dock. Please use dry rags for cleaning.

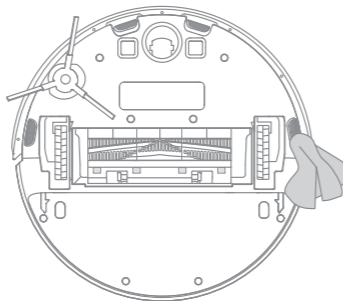
Clean the Return-to-Dock Sensor





Clean the Charging Contacts



Clean the Cliff Sensor



Robot Restarting

If the robot stops responding or cannot be turned off, press and hold down the button  for 10 seconds to forcefully turn it off. Then press and hold the button  for 3 seconds to turn the robot on.

Battery

The robot contains a high-performance lithium-ion battery pack. Please ensure that it remains well-charged for daily use to maintain optimal battery performance. If the robot is not used for an extended period of time, turn it off and put it away. To prevent damage from over-discharging, the robot should be recharged at least once every three months.

Status Indicator

The following table lists possible causes and solutions in terms of different light status. For more support, please refer to the section "Troubleshooting" in this manual.

Light Status	Possible Cause	Solution
Off	No power supply	Check and ensure that the power supply from the charging dock is normal.
	The robot in the DND period The robot with full charge in sleep mode	/
White	The robot not on the charging dock	/
Breathing White	The robot being charged	/
Blinking Orange	Error	Check whether the dust bin of robot is installed. For other errors, contact qualified technicians or after-sales service.

Problem	Solution
Robot does not turn on	The battery level is low. Recharge the robot on the charging dock, then try again.
Robot does not recharge	The charging dock is not receiving power. Please confirm that both ends of the power cord are plugged in correctly. Poor contact. Clean charging contacts of the charging dock and robot.
Robot does not return to charging dock	There are too many obstructions around the charging dock. Place the charging dock in a more open area. Please clean the dock's signaling area.
Robot is malfunctioning	Turn off the robot and then reactivate it.
Robot is making a strange noise	A foreign object may be caught in the main brush, side brush, or one of the main wheels. Stop the robot and remove any debris.
Robot no longer cleans efficiently or leaves dust behind	The dust bin is full. Please clean it. The filter is blocked. Please clean it. A foreign object is caught in the main brush. Please clean it.

Problem	Solution
Robot cannot connect to Wi-Fi	There is something wrong with the Wi-Fi connection. Reset the Wi-Fi and download the latest version of the Dreamehome app, then try reconnecting. Location permission is not open. Please ensure the location permission on the Dreamehome app is enabled. Wi-Fi signal is weak. Make sure the robot is in an area with good Wi-Fi coverage. 5GHz Wi-Fi is not supported. Please ensure your robot connects to 2.4GHz Wi-Fi. The username or password of Wi-Fi is incorrect. Please enter the correct username and password.
Robot does not perform scheduled cleaning	The robot has low battery. Scheduled cleaning will not start unless the robot has at least 15% battery left.
Does leaving the robot on the charging dock consume power if it is already fully charged?	Leaving the robot on the charging dock after it's fully charged consumes very little electricity and helps maintain optimal battery performance.
No water comes out of the mopping module, or only a little bit comes out	Check whether there is water inside the water tank. Clean the mop if it becomes dirty. Make sure the mop pad is installed correctly according to the User Manual. Clean the air hole on the top of the water tank.
Robot doesn't resume cleaning after charging	Make sure the robot is not set to Do Not Disturb mode (DND), which will prevent it from resuming cleaning. The robot does not resume cleaning when it is manually recharged or placed onto the charging dock.
Robot doesn't return to charging dock after being moved	Moving the robot may cause it to re-position itself or re-map its surroundings. If the robot is too far from the charging dock, it might not be able to automatically return on its own, in which case you need to manually place the robot onto the charging dock.

For additional services, please contact us via aftersales@dreame.tech

Website: <https://global.dreametech.com>

Robot

Model	RLS3L
Charging Time	Approx. 6 hours
Rated Voltage	14.4 V $\overline{\text{---}}$
Rated Power	46 W
Operation Frequency	2400-2483.5 MHz
Maximum Output Power	< 20 dBm

Charging Dock

Model	RCS0
Rated Input	100-240 V ~ 50/60 Hz 0.5 A
Rated Output	19.8 V $\overline{\text{---}}$ 1 A

Under normal use of condition, this equipment should be kept a separation distance of at least 20cm between the antenna and the body of the user.

Battery Disposal and Removal

The built-in lithium-ion battery contains substances that are hazardous to the environment. Before disposing of the battery, make sure the battery is removed by qualified technicians and discarded at an appropriate recycling facility.

- the battery must be removed from the appliance before it is scrapped;
- the appliance must be disconnected from the supply mains when removing the battery;
- the battery is to be disposed of safely.

CAUTION:

Before removing the battery, disconnect the power and run out the battery as much as possible.

Unneeded batteries should be discarded at an appropriate recycling facility.

Do not expose to high temperature environment to avoid risks of explosion.

Under abusive conditions, liquid may be ejected from the battery. If contact occurs, flush with water and seek medical help.

Removal Guide:

1. Turn over the robot, use a proper tool to remove the screws on the back of the robot, and then remove the cover.
2. Unplug the terminals between the battery and PCB board to remove the battery.

WEEE Information

All products bearing this symbol are waste electrical and electronic equipment (WEEE as in directive 2012/19/EU) which should not be mixed with unsorted household waste. Instead, you should protect human health and the environment by handing over your waste equipment to a designated collection point for the recycling of waste electrical and electronic equipment, appointed by the government or local authorities. Correct disposal and recycling will help prevent potential negative consequences to the environment and human health. Please contact the installer or local authorities for more information about the location as well as terms and conditions of such collection points.

Um Stromschläge, Brände oder Verletzungen durch unsachgemäßen Gebrauch des Geräts zu vermeiden, lesen Sie bitte die Bedienungsanleitung vor dem Gebrauch sorgfältig durch und bewahren Sie sie zum späteren Gebrauch auf.

Nutzungseinschränkungen

- Um einen sicheren Betrieb zu gewährleisten und Risiken zu vermeiden, darf dieses Produkt nicht von Kindern unter 8 Jahren, von Personen mit körperlichen, sensorischen oder geistigen Einschränkungen oder von Personen mit mangelnden Kenntnissen ohne Aufsicht eines Elternteils oder Vormunds verwendet werden. Kinder dürfen die Reinigung und Wartung nicht ohne Aufsicht durchführen.
- Kinder dürfen nicht mit diesem Produkt spielen. Sorgen Sie dafür, dass Kinder und Haustiere während des Betriebs des Roboters einen sicheren Abstand zum Gerät halten.
- Wenn das Stromkabel beschädigt ist, schalten Sie das Gerät sofort aus und wenden Sie sich an den Kundendienst.
- Dieses Produkt ist nur für die Bodenreinigung in einer häuslichen Umgebung geeignet. Benutzen Sie es nicht im Freien, auf anderen Oberflächen als dem Boden oder in einer kommerziellen oder industriellen Umgebung.
- Verwenden Sie den Roboter nicht in einem Bereich, der sich über dem Bodenniveau befindet und der nicht durch eine Schutzbarriere begrenzt wird.

Nutzungseinschränkungen

- Stellen Sie den Roboter nicht auf den Kopf. Verwenden Sie die LDS-Abdeckung, die Roboterabdeckung oder den Bumper nicht als Griff für den Roboter.
- Benutzen Sie den Roboter nicht in Umgebungen, in denen die Temperaturen über 40 ° C oder unter 0 ° C liegen, und auch nicht auf Böden mit Flüssigkeiten oder klebrigen Substanzen.
- Heben Sie Kabel vom Boden auf, bevor Sie den Roboter benutzen, um zu verhindern, dass diese während der Reinigung mitgezogen werden.
- Entfernen Sie zerbrechliche oder kleine Gegenstände vom Boden, um zu verhindern, dass der Roboter sie anstößt und beschädigt.
- Entfernen Sie lose Gegenstände vom Boden und entfernen Sie Kabel oder Netzkabel am Reinigungsweg, bevor Sie das Gerät in Betrieb nehmen, um Schäden oder Schäden beim Anziehen zu verhindern.
- Halten Sie Haare, Finger und andere Körperteile von der Saugöffnung des Roboters fern.
- Bitte halten Sie die Reinigungswerkzeuge für die Bürste von Kindern fern.
- Kinder, Haustiere oder Gegenstände dürfen weder auf dem stillstehenden noch dem sich bewegenden Roboter positioniert werden.
- Benutzen Sie den Roboter nicht zum Aufwischen oder Aufsaugen brennender Substanzen. Verwenden Sie den Roboter nicht zum Aufsaugen

Nutzungseinschränkungen

- von entflammaren oder brennbaren Flüssigkeiten, ätzenden Gasen oder unverdünnten Säuren oder Lösungsmitteln.
- Saugen Sie keine harten oder scharfen Gegenstände ein. Verwenden Sie das Gerät nicht zum Aufnehmen von Gegenständen wie Steinen, großen Papierstücken oder anderen Dingen, die das Gerät verstopfen könnten.
- Stellen Sie sicher, dass der Roboter ausgeschaltet und die Ladestation vom Strom getrennt ist, bevor Sie Reinigungs- oder Wartungsarbeiten durchführen.
- Verwenden Sie kein nasses Tuch zum Abwischen oder eine Flüssigkeit zum Spülen des Roboters und der Ladestation. Waschbare Teile müssen vollständig getrocknet werden, bevor sie installiert und verwendet werden.
- Stellen Sie sicher, dass der Roboter beim Transport ausgeschaltet ist und möglichst in der Originalverpackung befördert wird.
- Bitte verwenden Sie das Produkt gemäß den Anweisungen im Benutzerhandbuch. Der Benutzer ist für jeglichen Verlust oder Schaden verantwortlich, der aufgrund inkorrektter Verwendung dieses Produkts entsteht.

Akkus und Ladung

- Verwenden Sie keine Batterien, Netzkabel oder Ladestationen von Drittanbietern. Bitte ausschließlich mit RCS0 Netzgerät verwenden.

Akkus und Ladung

- Versuchen Sie nicht, den Akku oder die Ladestation selbst zu zerlegen, zu reparieren oder zu modifizieren.
- Stellen Sie die Ladestation nicht in der Nähe einer Wärmequelle ab.
- Benutzen Sie kein nasses Tuch oder nasse Hände, um die Ladkontakte der Ladestation zu reinigen.
- Entsorgen Sie alte Akkus sachgemäß. Unbenutzte Akkus sollten in einer geeigneten Recycling-Einrichtung entsorgt werden.
- Wenn der Roboter für eine längere Zeit nicht benutzt werden soll, laden Sie ihn voll auf, schalten ihn aus und lagern ihn an einem kühlen und trockenen Ort. Laden Sie den Roboter mindestens je 3 Monate auf, um eine Tiefentladung des Akkus zu vermeiden.
- Dieses Produkt enthält Akkus, die nur von qualifizierten Technikern oder dem Kundendienst ausgewechselt werden können.

Lasersicherheitsinformationen

- Der Lasersensor in diesem Produkt erfüllt die Norm IEC 60825-1: 2014 für Laserprodukte der Klasse 1. Bitte vermeiden Sie direkten Augenkontakt mit ihm während des Gebrauchs.

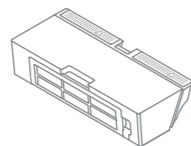
Hiermit bestätigt, Dreame Trading (Tianjin) Co., Ltd. dass das Funkgerät des Typs RLS3L mit der Verordnung 2014/53/EU in Einklangsteht. Der vollständige Wortlaut der EU-Konformitätserklärung ist unter der folgenden Internetadresse abrufbar: <https://global.dreamotech.com>
Ein detailliertes elektronisches Handbuch finden Sie unter <https://global.dreamotech.com/pages/user-manuals-and-faqs>

Zubehör

Vorinstalliertes Zubehör



Hauptbürste

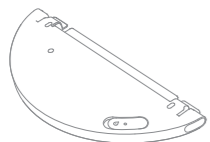


Staubbehälter



Reinigungswerkzeug

Anderes Zubehör



Wassertank



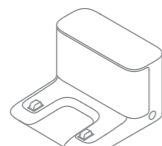
Wischmopp



Seitenbürste

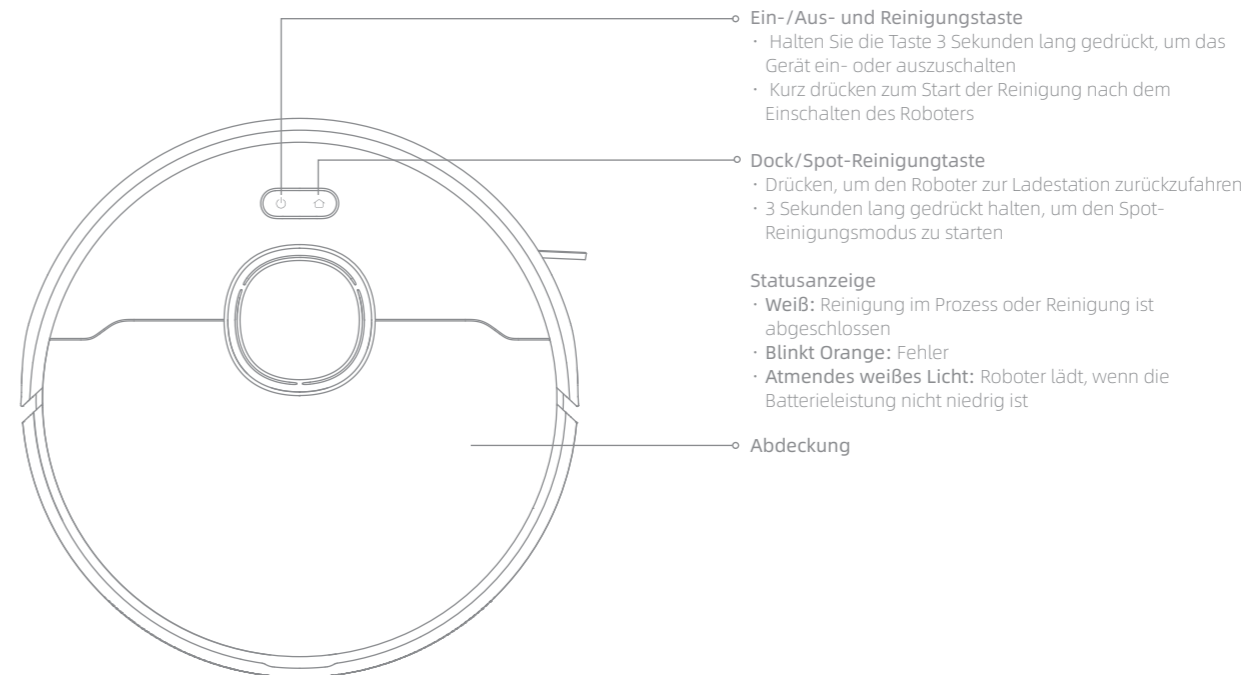


Netzkabel



Ladestation

Roboter



Ein-/Aus- und Reinigungstaste

- Halten Sie die Taste 3 Sekunden lang gedrückt, um das Gerät ein- oder auszuschalten
- Kurz drücken zum Start der Reinigung nach dem Einschalten des Roboters

Dock/Spot-Reinigungstaste

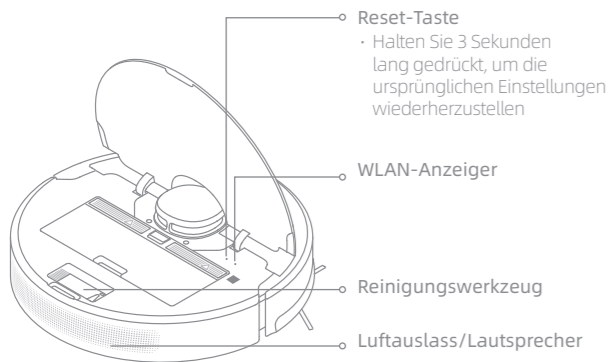
- Drücken, um den Roboter zur Ladestation zurückzufahren
- 3 Sekunden lang gedrückt halten, um den Spot-Reinigungsmodus zu starten

Statusanzeige

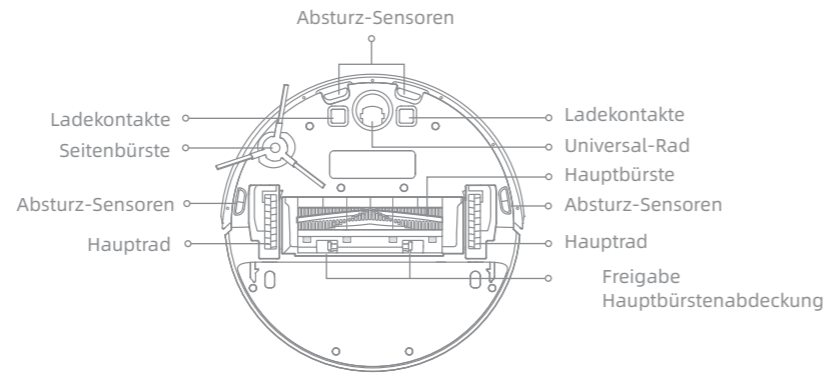
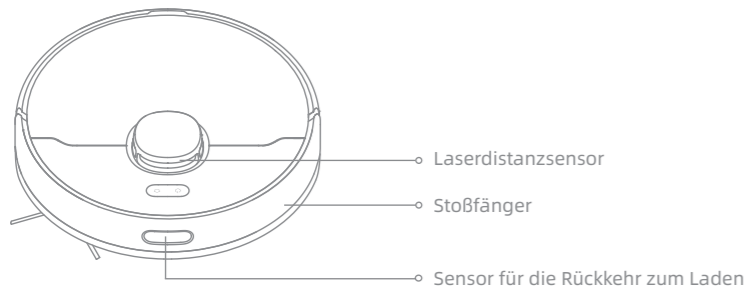
- **Weiß:** Reinigung im Prozess oder Reinigung ist abgeschlossen
- **Blinkt Orange:** Fehler
- **Atmendes weißes Licht:** Roboter lädt, wenn die Batterieleistung nicht niedrig ist

Abdeckung

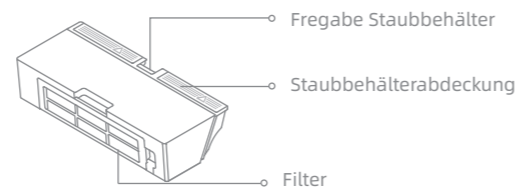
Roboter



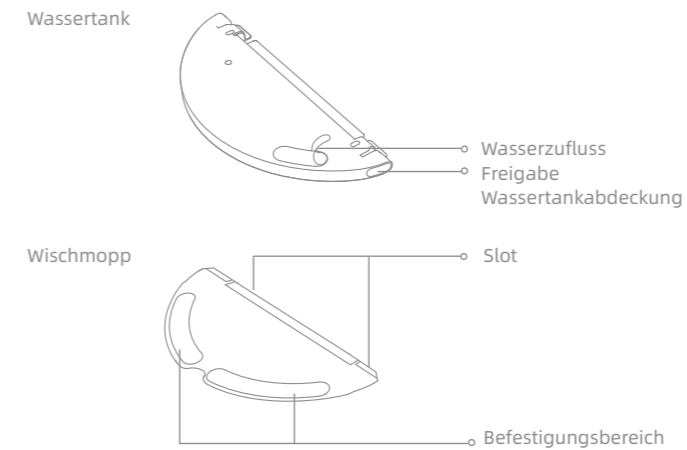
Robotersensor



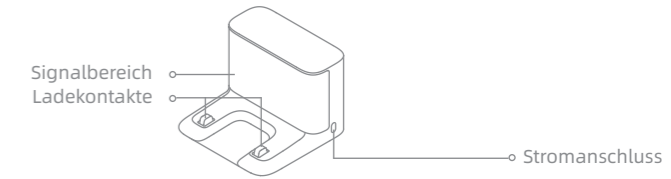
Staubbehälter



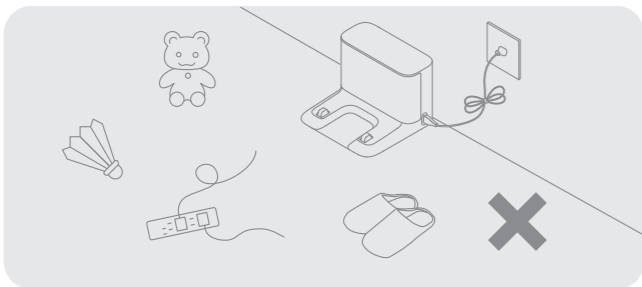
Wischmodul



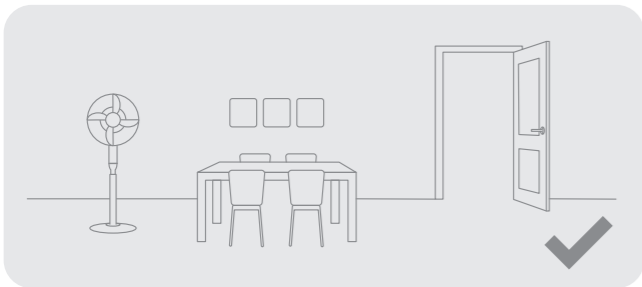
Ladestation



Ihr Zuhause vorbereiten

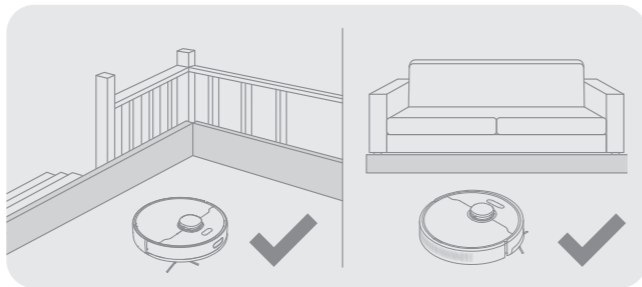


Ordnen Sie Gegenstände wie Netzkabel, Tücher, Hausschuhe und Spielzeug, um die Effizienz der Reinigung zu verbessern.

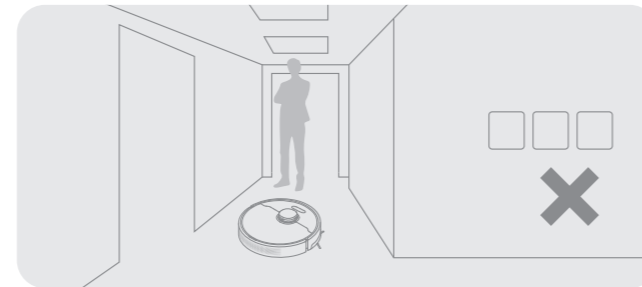


Öffnen Sie die Tür des zu reinigenden Raumes und stellen Sie die Möbel in die geeignete Position, um mehr Platz zu schaffen.

Hinweis: Wenn Sie den Roboter zum ersten Mal in Betrieb nehmen, folgen Sie ihm während der Reinigung, um mögliche Hindernisse rechtzeitig zu beseitigen.



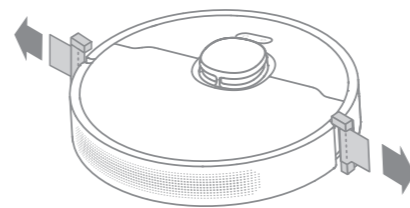
Montieren Sie vor der Reinigung die physische Barriere an den Kanten von Treppen und Möbeln, um dem Roboter ein reibungsloses Arbeiten zu ermöglichen.



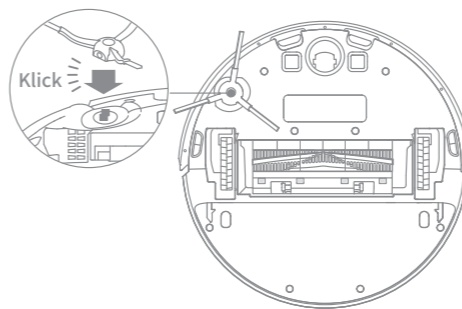
Um zu verhindern, dass der Roboter den zu reinigenden Bereich nicht erkennt, stellen Sie sich nicht vor den Roboter, vor eine Schwelle, oder die enge Stelle einer Flur hin.

Vor der Verwendung

1. Die Schutzstreifen entfernen



2. Seitenbürste installieren

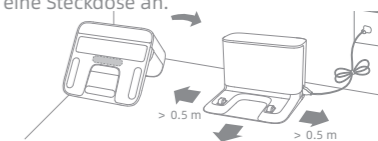


Hinweis: Installieren Sie die Seitenbürste, bis sie einrastet.

3. Richten Sie die Ladestation ein

Ziehen Sie das doppelseitige Klebeband an der Unterseite der Ladestation ab, stellen Sie die Ladestation auf ebenem Boden an die Wand und schließen Sie sie an eine Steckdose an.

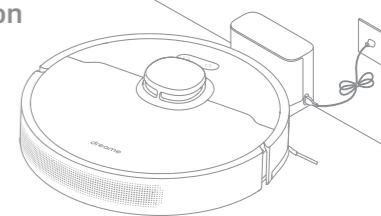
Stellen Sie die Basis innerhalb der besten Wi-Fi-Reichweite auf



Hinweis:

- Stellen Sie sicher, dass auf beiden Seiten der Ladestation ein Abstand von mindestens 0,5 Metern und vor der Ladestation ein Abstand von mehr als 1,5 Metern eingehalten wird.
- Platzieren Sie die Ladestation nicht in einem Bereich mit direkter Sonneneinstrahlung oder in einem Bereich, in dem andere Objekte den Signalbereich blockieren könnten, da dies den Roboter daran hindern könnte, zur Ladestation zurückzukehren.
- Bitte reinigen Sie die Bodenfläche, in der die Ladestation platziert wird, mit einem trockenen Lappen.
- Verwenden Sie doppelseitiges Band nach Ihren Bedürfnissen.
- Entfernen Sie das doppelseitige Klebeband bei Bedarf langsam, um Kleberückstände zu reduzieren.

4. Platzieren Sie den Roboter zum Aufladen in der Ladestation



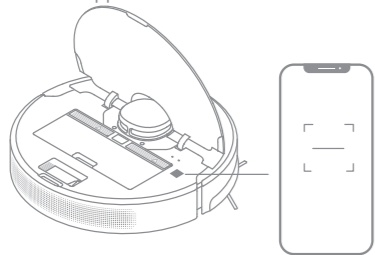
Hinweis:

- Vollständige Aufladung vor dem ersten Gebrauch.
- Bewegen Sie die Ladestation nicht, während der Roboter in Betrieb ist.

Dieses Produkt funktioniert mit der Dreamehome App, mit der Sie Ihr Gerät steuern können.

1. Laden Sie die Dreamehome App herunter

Scannen Sie den QR-Code auf dem Roboter oder suchen Sie im App Store nach "Dreamehome" um die App nach Ihren Bedürfnissen herunterzuladen und zu installieren.



2. Fügen Sie das Gerät hinzu

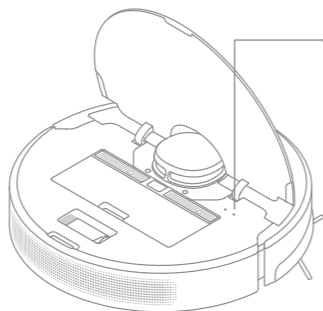
Öffnen Sie das Dreamehome, tippen Sie oben rechts auf "+" und scannen Sie den obigen QR-Code erneut, um "DreameBot D10s" hinzuzufügen. Bitte folgen Sie den Anweisungen, um die WLAN-Verbindung zu beenden.



- Hinweis:**
- Es wird nur WLAN mit 2,4 GHz unterstützt.
 - Die App-Software wird aktualisiert, die tatsächliche Bedienung kann sich von den Angaben in diesem Handbuch abweichen. Bitte befolgen Sie die Anweisungen basierend auf der aktuellen App-Version.

3. WLAN zurücksetzen

Gleichzeitig drücken und halten Sie die und Taste bis Sie eine Sprachmeldung hören „Warten auf Netzwerkkonfiguration“. Sobald die WLAN-Anzeige langsam blinkt, wurde das WLAN erfolgreich zurückgesetzt.



- WLAN-Anzeiger**
- **Langsam blinkend:** Wartet auf Verbindung
 - **Schnell blinkend:** Verbindung wird hergestellt
 - **Ein:** Verbunden

Hinweis: Wenn Ihr Telefon keine erfolgreiche Verbindung mit dem Roboter herstellen kann, setzen Sie das WLAN zurück und fügen Sie das Gerät erneut hinzu.

1. Schnelle Kartenerstellung

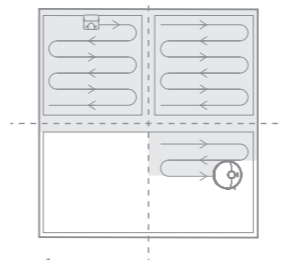
Nachdem Sie das Netzwerk zum ersten Mal konfiguriert haben, folgen Sie den Anweisungen in der App, um schnell eine Karte zu erstellen, wobei der Roboter die Kartierung ohne Reinigung startet. Der Kartierung-Prozess wird abgeschlossen, wenn der Roboter zur Ladestation zurückkehrt, und die Karte wird automatisch gespeichert.

2. Einschalten/Ausschalten

Halten Sie die Taste 3 Sekunden lang gedrückt, um den Roboter einzuschalten, und die Betriebsanzeige leuchtet dauerhaft. Stellen Sie den Roboter auf die Ladestation. Der Roboter sollte sich dann automatisch einschalten und mit dem Laden beginnen. Um den Roboter auszuschalten, entfernen Sie den Roboter vom Dock und halten Sie die Taste 3 Sekunden lang gedrückt.

3. Mit der Reinigung beginnen

Drücken Sie die Taste kurz, um die Reinigung nach dem Einschalten des Roboters zu starten. Dann wird der Roboter eine Route genau planen, methodisch entlang der Kanten und Wände reinigen und schließlich jeden Raum in einem S-förmigen Muster gründlich reinigen.



4. Reinigungsmodus

In der App sind vier Reinigungsmodi verfügbar: Leise, Standard, Stark und Turbo. Voreingestellt ist der Standardmodus.

5. Pause / Schlaf

Wenn der Roboter läuft, drücken Sie eine beliebige Taste, um ihn zu pausieren. Wenn der Roboter länger als 10 Minuten pausiert wird, wechselt er automatisch in den Schlafmodus. Alle Anzeigen am Roboter werden ausgeschaltet. Drücken Sie eine beliebige Taste am Roboter oder verwenden Sie die App, um den Roboter aufzuwecken.
Hinweis:

- Wenn das Gerät länger als 12 Stunden im Ruhemodus ist, schaltet es sich automatisch aus.
- Wenn der Roboter sich im Pause-Modus befindet, wird die aktuelle Reinigungsaufgabe beendet, wenn Sie ihn auf die Ladestation setzen.

6. Punktreinigung

Wenn sich der Roboter im Standby-Modus oder im Pause-Modus befindet, halten Sie die Taste 3 Sekunden lang gedrückt, um den Zielreinigungs-Modus zu starten. In diesem Modus wird eine quadratische Fläche von 1,5 x 1,5 Metern direkt um den Roboter herum gereinigt. Wenn die Zielreinigung beendet ist, kehrt der Roboter automatisch an seinen ursprünglichen Standort zurück und schaltet sich ab.

Hinweis: Die Aktivierung der Zielreinigungsmodus beendet die aktuelle Reinigungsaufgabe des Roboters.

7. Nicht stören (DND) Modus

Wenn der Roboter auf den DND-Modus (Do Not Disturb) eingestellt ist, führt der Roboter die Reinigungsaufgabe nicht mehr durch und die Betriebsanzeige erlischt. Der DND-Modus ist werkseitig standardmäßig deaktiviert. Sie können die App verwenden, um den DND-Modus zu aktivieren oder den DND-Zeitraum zu ändern. Der DND-Zeitraum ist standardmäßig 22:00-8:00.

- Hinweis:**
- Die geplanten Reinigungsaufgaben werden während des DND-Zeitraums pünktlich durchgeführt.
 - Der Roboter wird die Reinigung fortsetzen, wo er nach Ablauf der DND-Periode aufgehört hat.

8. Geplantes Reinigen

Sie können die Reinigungszeiten automatisch mit der Dreamehome App planen. Der Roboter wird zu der geplanten Zeiten automatisch mit der Reinigung anfangen und nach ausgeführter Reinigung wieder zur Ladung an die Ladestation zurückkehren.

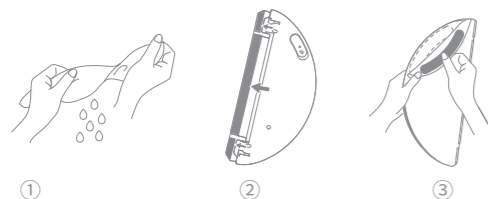
9. Weitere APP-Funktionen

Folgen Sie den Anweisungen auf der APP-Schnittstelle, um weitere Funktionen zu nutzen. Die App-Version könnte aktualisiert worden sein. Bitte folgen Sie den Anweisungen entsprechend der aktuellen App-Version.

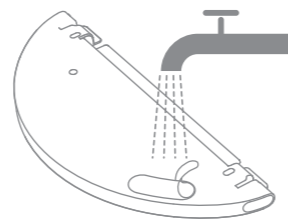
10. Verwenden der Wischfunktion

Zur Erzielung eines besseren Reinigungseffekts, wird empfohlen, alle Boden mindestens dreimal vor der ersten Mopp-Reinigung zu saugen.


1) Befeuchten Sie den Wischer und wringen Sie überschüssiges Wasser aus. Installieren Sie den Wischmopp wie im Diagramm gezeigt.

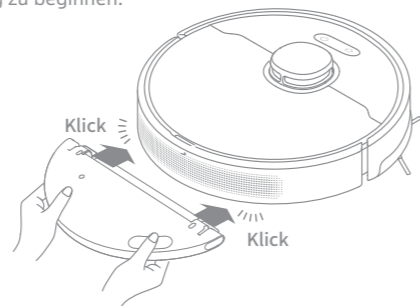


2) Füllen Sie den Tank mit Wasser.



Hinweis: Verwenden Sie keine Reinigungs- oder Desinfektionsmittel.

3) Richten Sie das Wischmodul wie durch den Pfeil angezeigt aus, und schieben Sie es dann in die Rückseite des Roboters, bis es einrastet. Drücken Sie die Taste  oder verwenden Sie die App Dreamehome, um mit der Reinigung zu beginnen.



Hinweis:

- Die Verwendung der Wischfunktion auf Teppichen wird nicht empfohlen.
- Verwenden Sie die App, um den Wasserfluss wie benötigt einzustellen.

Regelmäßige Wartung

Es wird empfohlen, sich für die routinemäßige Wartung auf die folgende Tabelle zu beziehen, um den Roboter in gutem Zustand zu halten.

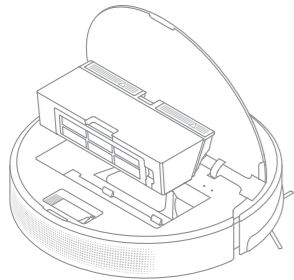
Teil	Häufigkeit der Wartung	Häufigkeit des Austausches
Wischer	Nach jedem Gebrauch	Alle 3 bis 6 Monate
Hauptbürste	Einmal alle 2 Wochen	Alle 6 bis 12 Monate
Staubbehälterfilter		Alle 3 bis 6 Monate
Seitenbürste	Einmal im Monat	/
Der Signalisierungsbereich der Ladestation		
Ladekontakte		
Universal-Rad		
Laserdistanzsensor		
Absturz-Sensoren	Nach Bedarf reinigen	/
Wassertank		
Staubbehälter		

Hinweis: Die Häufigkeit des Austauschs hängt von der Nutzung des Roboters ab. Wenn aufgrund besonderer Umstände eine Störung auftritt, sollten die Teile ausgetauscht werden.

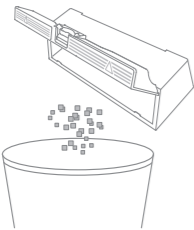
Regelmäßige Wartung

Staubbehälter und Filter reinigen

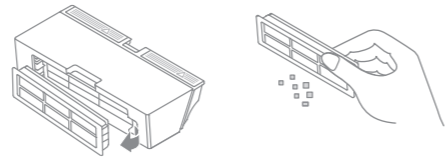
1. Öffnen Sie die Roboterabdeckung und drücken Sie auf den Staubbehälterklipp, um den Staubbehälter zu entfernen.



2. Öffnen Sie die Behälterabdeckung und leeren Sie den Behälter wie in der Abbildung gezeigt.



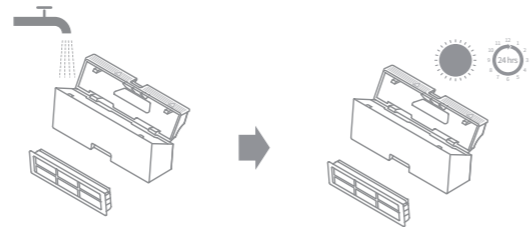
3. Nehmen Sie den Filter heraus und klopfen Sie vorsichtig auf seinen Korb.



Hinweis:

- Versuchen Sie nicht, den Filter mit einer Bürste, einem Finger oder scharfen Gegenständen zu reinigen, um Schäden zu vermeiden.

4. Spülen Sie den Staubbehälter und den Filter mit Wasser und trocknen Sie sie vollständig vor dem Wiedereinbau.



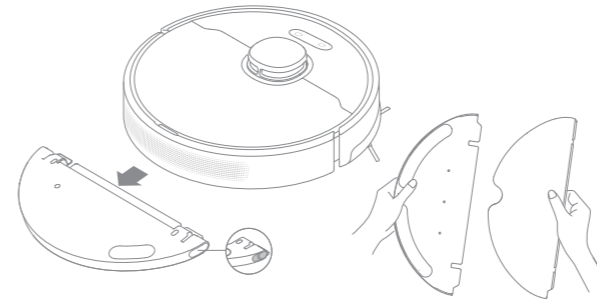
Hinweis:

- Spülen Sie den Staubbehälter und den Filter nur mit sauberem Wasser aus. Verwenden Sie keine Reinigungsmittel.
- Verwenden Sie den Staubbehälter und den Filter nur, wenn sie vollständig trocken sind.

Regelmäßige Wartung

Reinigen Sie das Wischmodul

1. Schieben Sie die beiden Freigabeklammern an der Seite des Wassertanks, um den Moppaufsatz zu entfernen, und ziehen Sie dann den Wischmopp vom Moppaufsatz ab.

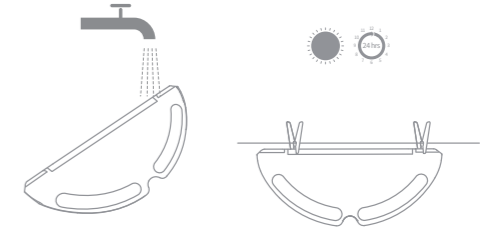


2. Entleeren Sie das Restwasser aus dem Wassertank und lassen Sie ihn an der Luft trocknen.



Hinweis: Setzen Sie den Tank keiner direkten Sonneneinstrahlung aus.

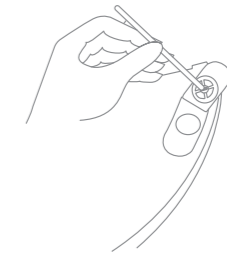
3. Die Wischlappen ausschließlich mit Wasser reinigen und vor Reinstallieren an der Luft trocknen lassen.



Hinweis:

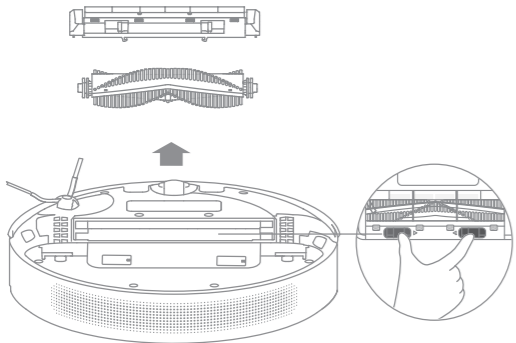
- Nehmen Sie den Wischlappen vor der Reinigung aus dem Wischmodul heraus und stellen Sie sicher, dass das Schmutzwasser nicht in den Wasserauslass zurückfließt, um eine Verstopfung zu vermeiden.

4. Falls eine langsamer Wasserdurchfluss auftritt bzw. das Wasservolumen nicht gut verteilt ist, reinigen Sie das Luftloch in der Abdeckung des Wassertanks.

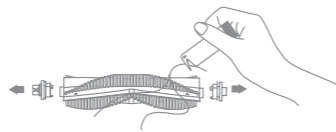


Bürste reinigen

1. Drücken Sie den Bürstenschutzclip nach innen, um den Bürstenschutz zu entfernen und die Bürste aus dem Roboter zu heben.



2. Ziehen Sie den Bürstendeckel wie im Diagramm gezeigt heraus. Verwenden Sie das mitgelieferte Reinigungswerkzeug, um die in der Bürste verwickelten Haare zu entfernen.



Hinweis: Ziehen Sie die in der Bürste verhedderten Haare nicht übermäßig heraus. Andernfalls kann die Hauptbürste beschädigt werden.

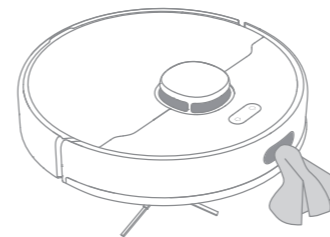
Seitenbürste reinigen

Ziehen Sie die Seitenbürste heraus und entfernen Sie mit dem mitgelieferten Reinigungswerkzeug alle in der Bürste verwickelten Haare.

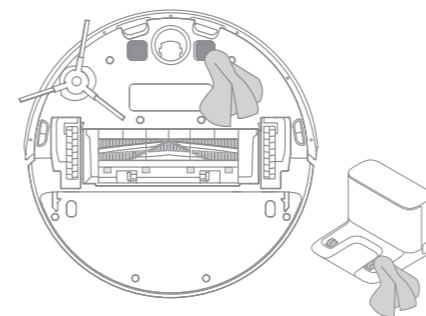


Hinweis: Bitte verwenden Sie zur Reinigung ein trockenes Geschirrtuch, da der Roboter und das innere der Ladestation empfindliche Komponenten enthalten. Verwenden Sie keine nassen Spültücher, um durch Wasser verursachte Schäden zu vermeiden.

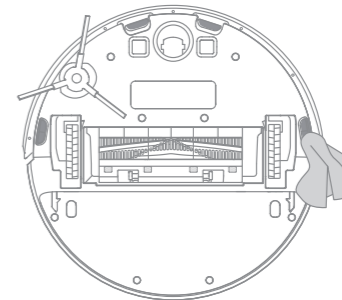
Sensor für die Rückkehr zum Laden reinigen



Reinigen Sie die Kontakte der Ladestation



Reinigen Sie die Abstürzesensoren



Roboter neu starten

Wenn der Roboter nicht mehr reagiert oder nicht ausgeschaltet werden kann, halten Sie die Taste  10 Sekunden lang gedrückt, um sie gewaltsam auszuschalten. Halten Sie dann die Taste  3 Sekunden lang gedrückt, um den Roboter einzuschalten.

Batterie

Der Roboter enthält einen Hochleistungs-Lithium-Ionen-Akku. Bitte stellen Sie sicher, dass dieser bei täglicher Nutzung gut geladen ist, um die optimale Akkuleistung beizubehalten. Wenn der Roboter längere Zeit nicht benutzt wird, schalten Sie ihn aus und stellen Sie ihn weg. Um Schäden durch Tiefentladung zu vermeiden, sollte der Roboter mindestens einmal je drei Monate aufgeladen werden.

Verschiedene Lichteffekte bedeutet verschiedene Stände und Lösungen. Schauen Sie für mehr Informationen das Kapitel "FAQ" in diesem Handbuch.

Lichteffekt	mögliche Ursache	Lösung
ausgegangen	Keine Stromversorgung	Überprüfen Sie, ob die Stromversorgung über die Ladestation normal ist.
	Der Roboter in der DND-Periode Der Roboter mit voller Ladung im Schlafmodus	/
Weiß	Der Roboter nicht an der Ladestation	/
Weißes Atemlicht	Der Roboter wird geladen	/
Blinkt Orange	Fehlerzustand	Prüfen Sie, ob der Staubkasten schon im Apparat installiert worden ist. Wenn es andere Störfälle gibt, wenden Sie sich an fachliche Techniker.

Problem	Lösung
Roboter lässt sich nicht einschalten	Der Akkustand ist niedrig. Laden Sie den Roboter an der Ladestation auf und versuchen Sie es dann erneut.
Roboter lädt sich nicht auf	Die Ladestation erhält keinen Strom. Bitte stellen Sie sicher, dass beide Spitzen des Stromkabels korrekt eingesteckt sind. Schlechter Kontakt. Reinigen Sie die Ladekontakte der Ladestation und des Roboters.
Roboter kehrt nicht zur Ladestation zurück	Es gibt zu viele Hindernisse um die Ladestation herum. Stellen Sie die Ladestation in einer offeneren Umgebung. Bitte reinigen Sie den Signalbereich der Ladestation.
Roboter arbeitet nicht einwandfrei	Schalten Sie den Roboter aus und dann wieder an.
Roboter gibt ein merkwürdiges Geräusch ab	Ein Fremdkörper könnte sich in der Hauptbürste, Seitenbürste oder einem der Räder verfangen haben. Schalten Sie den Roboter aus und entfernen Sie eventuell vorhandenen Schmutz
Der Roboter reinigt nicht mehr wirksam, oder er hinterlässt Staub	Der Staubbehälter ist voll. Bitte leeren Sie ihn. Der Filter ist verstopft. Bitte reinigen Sie ihn. Ein Fremdkörper hat sich in der Hauptbürste verfangen. Bitte reinigen Sie diese.
Roboter kann nicht mit dem WLAN verbinden	Es besteht ein Problem mit der WLAN-Verbindung. Setzen Sie das WLAN zurück und laden Sie die neuste Version der Dreamehome App herunter. Versuchen Sie dann erneut, eine Verbindung herzustellen. Die Standortberechtigung ist nicht aktiviert. Bitte stellen Sie sicher, dass die Standortberechtigung auf der Dreamehome App geöffnet ist. Das WLAN-Signal ist schwach. Stellen Sie sicher, dass der Roboter sich in einem Bereich mit gutem WLAN-Empfang befindet. WLAN mit 5 GHz wird nicht unterstützt. Bitte stellen Sie sicher, dass Ihr Roboter mit einem 2,4 GHz WLAN verbunden ist. Der Benutzername oder das Kennwort des WLAN ist falsch. Bitte stellen Sie die korrekte Eingabe des Benutzernamens und Kennworts sicher.

Problem	Lösung
Der Roboter führt die geplante Reinigung nicht aus	Der Akku des Roboters hat einen niedrigen Akkuladestand. Die planmäßige Reinigung wird nur dann begonnen, wenn der Roboter einen Ladestand von mindestens 15 % hat.
Verbraucht das Belassen des Roboters auf der Ladestation Strom, wenn er bereits aufgeladen ist?	Das Belassen des Roboters auf der Ladestation nach dem Ladevorgang verbraucht nur sehr wenig Strom und trägt zur Aufrechterhaltung einer optimalen Akkuleistung bei.
Kein Wasser kommt aus dem Wassertank, oder nur ein kleines bisschen kommt heraus	Vergewissern Sie sich, dass der Wassertank mit Wasser gefüllt ist, und reinigen Sie das Wischer-Pad, falls erforderlich. Reinigen Sie den Mopp, wenn er schmutzig wird. Vergewissern Sie sich, dass der Wischlappen entsprechend Gebrauchsanleitung korrekt angebracht ist. Das Luftloch auf dem Wassertank reinigen.
Der Roboter nimmt die Reinigung nach dem Aufladen nicht wieder auf	Vergewissern Sie sich, dass der Roboter sich nicht im Nicht-Stören-Modus befindet, denn dieser verhindert eine Fortsetzung der Reinigung. Der Roboter setzt die Reinigung nicht automatisch fort, wenn er manuell aufgeladen oder auf der Ladestation gestellt wird.
Der Roboter kehrt nicht zur Ladestation zurück, nachdem er versetzt wurde	Das Versetzen des Roboters kann dazu führen, dass er sich selbst neu positioniert oder seine Umgebung neu kartiert. Wenn der Roboter zu weit von der Ladestation entfernt ist, kann er möglicherweise nicht automatisch von selbst zurückkehren. In diesem Fall müssen Sie den Roboter manuell auf der Ladestation platzieren.

Für weitere Dienstleistungen kontaktieren Sie uns bitte über aftersales@dreame.tech

Webseite: <https://global.dreametech.com>

Spezifikationen

Roboter

Modell	RLS3L
Ladedauer	Ca. 6 Stunden
Nennspannung	14,4 V \pm
Bemessungsleistung	46 W
Betriebsfrequenz	2400-2483,5 MHz
Maximale Ausgangsleistung	< 20 dBm

Ladestation

Modell	RCS0
Nenneingang	100-240 V ~ 50/60 Hz 0,5 A
Nennausgang	19,8 V \pm 1 A

Unter normalen Einsatzbedingungen muss dieses Gerät einen Abstand von mindestens 20 cm zwischen der Antenne und dem Körper des Benutzers einhalten.

Die eingebaute Lithium-Ionen-Batterie enthält umweltgefährdende Substanzen. Stellen Sie vor der Entsorgung der Batterie sicher, dass die Batterie von qualifizierten Technikern entfernt und in einer geeigneten Recyclinganlage entsorgt wird.

- die Batterie muss vor dem Verschrotten aus dem Gerät entfernt werden;
- das Gerät muss beim Ausbau der Batterie vom Netz getrennt werden;
- die Batterie muss sicher entsorgt werden.

ACHTUNG:

Bevor Sie den Akku entfernen, trennen Sie die Stromversorgung und lassen Sie den Akku komplett leer laufen.

Nicht benötigte Batterien sollten in einer geeigneten Recyclinganlage entsorgt werden.

Lassen Sie den Akku nicht in einer Umgebung mit extrem hohen Temperaturen, um Explosionsrisiken zu vermeiden.

Unter missbräuchlicher Verwendung kann Flüssigkeit aus der Batterie ausgestoßen werden. Wenn Sie aus Versehen anfassen, spülen Sie mit Wasser und suchen Sie medizinische Hilfe.

Anleitung zum Entfernen

1. Drehen Sie den Roboter um, entfernen Sie mit einem geeigneten Werkzeug die Schrauben auf der Rückseite des Roboters und entfernen Sie dann die Abdeckung.
2. Ziehen Sie die Klemmen zwischen der Batterie und der Leiterplatte ab, um die Batterie zu entfernen.

Informations DEEE



Alle mit diesem Symbol gekennzeichneten Produkte sind Elektroschrott und Elektrogeräte (WEEE entsprechend EU-Richtlinie 2012/19/EU) und dürfen nicht mit unsortiertem Haushaltsmüll vermischt werden. Schützen Sie stattdessen Ihre Mitmenschen und die Umwelt, indem Sie Ihre zu entsorgenden Geräte an eine dafür vorgesehene, von der Regierung oder einer lokalen Behörde eingerichtete Sammelstelle zum Recycling von Elektroschrott und Elektrogeräten bringen. Eine ordnungsgemäße Entsorgung und Recycling helfen, negative Auswirkungen auf die Gesundheit von Umwelt und Menschen zu vermeiden. Wenden Sie sich bitte an den Installateur oder lokale Behörden, um Informationen zum Standort und den allgemeinen Geschäftsbedingungen solcher Sammelstellen zu erhalten.

Entsorgung von Elektro- und Elektronikgeräten



Die durchgestrichene Mülltonne bedeutet, dass Sie gesetzlich verpflichtet sind, diese Geräte einer vom unsortierten Siedlungsabfall getrennten Erfassung zuzuführen. Die Entsorgung über die Restmülltonne oder die gelbe Tonne ist untersagt. Enthalten die Produkte Batterien oder Akkus, die nicht fest verbaut sind, müssen diese vor der Entsorgung entnommen und getrennt als Batterie entsorgt werden.

Möglichkeiten der Rückgabe von Altgeräten

Besitzer von Altgeräten können diese im Rahmen der durch öffentlich-rechtlichen Entsorgungsträger eingerichteten und zur Verfügung stehenden Möglichkeiten der Rückgabe oder Sammlung von Altgeräten abgeben, damit eine ordnungsgemäße Entsorgung der Altgeräte sichergestellt ist. Unter dem folgenden Link besteht die Möglichkeit, sich ein Onlineverzeichnis der Sammel- und Rücknahmestellen anzuzeigen zu lassen: <https://www.ear-system.de/ear-verzeichnis/sammelund-ruecknahmestellen>.

Datenschutz

Wir weisen alle Endnutzer von Elektro- und Elektronikgeräten darauf hin, dass Sie für das Löschen personenbezogener Daten auf den zu entsorgenden Altgeräten selbst verantwortlich sind.

Informations sur la sécurité

Pour éviter tout risque de choc électrique, d'incendie ou de blessure causé par une utilisation incorrecte de l'appareil, veuillez lire attentivement le manuel d'utilisation avant d'utiliser l'appareil et le conserver pour pouvoir vous y référer ultérieurement.

Restrictions d'utilisation

- Ce produit ne doit pas être utilisé par des enfants de moins de 8 ans ni par des personnes présentant un handicap moteur, sensoriel ou mental, ou ayant une expérience ou des connaissances limitées, sans la supervision d'un parent ou d'un tuteur afin de garantir un fonctionnement sûr et d'éviter tout risque. Le nettoyage et l'entretien ne doivent pas être effectués par des enfants sans surveillance.
- Les enfants ne doivent pas jouer avec ce produit. Pendant le nettoyage, assurez-vous que les enfants et les animaux de compagnie sont maintenus à une distance de sécurité du robot aspirateur.
- Si le cordon d'alimentation est endommagé ou rompu, cessez immédiatement de l'utiliser et contactez le service après-vente.
- Ce produit est uniquement destiné au nettoyage des sols dans un environnement domestique. Ne l'utilisez pas à l'extérieur, sur des surfaces autres que des sols ou dans un environnement commercial ou industriel.
- N'utilisez pas le robot dans une zone située au-dessus du niveau du sol sans barrière de protection.
- Ne placez pas le robot à l'envers. N'utilisez pas le couvercle du LDS, le couvercle du robot ou le pare-chocs comme poignée pour déplacer le robot.

Informations sur la sécurité

Restrictions d'utilisation

- N'utilisez pas le robot dans des environnements où la température ambiante est supérieure à 40° C ou inférieure à 0° C, ni sur un sol avec des liquides ou des substances collantes.
- Retirez tous les câbles au sol avant d'utiliser le robot pour éviter qu'il ne les entraîne dedans pendant le nettoyage.
- Retirez tous les objets fragiles ou de petite taille au sol afin d'éviter que le robot ne les percute ou ne les endommage.
- Pour éviter d'endommager l'appareil ou de le traîner, débarrassez le sol de tout objet mobile et retirez les câbles ou les cordons d'alimentation qui se trouvent sur le trajet de nettoyage avant d'utiliser l'appareil.
- Maintenez vos cheveux, vos doigts et les autres parties de votre corps éloignés de l'orifice d'aspiration du robot.
- Conservez l'outil de nettoyage de brosse hors de la portée des enfants.
- Ne mettez pas d'enfants, d'animaux ou d'objets sur le robot, qu'il soit à l'arrêt ou en mouvement.
- N'utilisez pas le robot pour nettoyer des objets brûlants. N'utilisez pas le robot pour ramasser des liquides inflammables ou combustibles, des gaz corrosifs ou des acides ou solvants non dilués.
- N'aspirez pas d'objets durs ou tranchants. N'utilisez pas l'appareil pour ramasser des objets tels que des pierres, de gros morceaux de papier ou tout

Informations sur la sécurité

Restrictions d'utilisation

- autre élément susceptible d'obstruer l'appareil.
- Assurez-vous que le robot est éteint et que le socle de charge est débranché avant d'effectuer le nettoyage ou l'entretien.
- N'utilisez pas de chiffon humide pour essuyer ou de liquide pour rincer le robot et le socle de charge. Les pièces lavables doivent être totalement séchées avant de les installer et de les utiliser.
- Dans la mesure du possible, assurez-vous que le robot est éteint lorsque vous le transportez et rangez-le dans son emballage d'origine.
- Veuillez utiliser ce produit conformément aux instructions du Mode d'emploi. Les utilisateurs sont responsables des pertes ou dommages résultant d'une mauvaise utilisation de ce produit.

Batteries et charge

- N'essayez pas de démonter, réparer ou modifier vous-même la batterie ou la station de charge.
- Ne placez pas la station de charge près d'une source de chaleur.
- N'utilisez pas de chiffon humide, ni vos mains humides, pour essuyer ou nettoyer les contacts de charge de la station.
- Ne jetez pas vos batteries usagées de façon incorrecte. Les batteries inutilisées doivent être jetées aux centres de recyclage appropriés.

Informations sur la sécurité

Batteries et charge

- Si vous ne prévoyez pas d'utiliser le robot pendant une période prolongée, chargez-le complètement, éteignez-le, puis entreposez-le dans un endroit frais et sec. Rechargez le robot au moins une fois tous les 3 mois pour éviter un déchargement excessif de la batterie.
- Ce produit contient des batteries qui ne peuvent être remplacées que par des techniciens qualifiés ou par le service après-vente. N'utilisez pas de batterie, de cordon d'alimentation ou de station de recharge tiers. Veuillez n'utiliser que l'unité d'alimentation RCS0.

Informations sur la sécurité liée à l'utilisation du laser

- Le capteur laser de ce produit est conforme à la norme CEI 60825-1 : 2014 relative aux produits laser de classe 1. Veuillez éviter tout contact direct avec les yeux pendant l'utilisation.

Par la présente, Dreame Trading (Tianjin) Co., Ltd. déclare que cet équipement radio de type RLS3L est conforme à la Directive européenne 2014/53/UE. L'intégralité de la déclaration de conformité pour l'UE est disponible à l'adresse suivante: <https://global.dreametech.com>
 Pour obtenir un manuel électronique détaillé, rendez-vous sur le site <https://global.dreametech.com/pages/user-manuals-and-faqs>

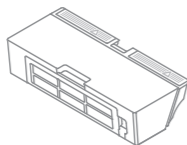
Présentation du produit

Accessoires

Accessoires préinstallés



Brosse principale

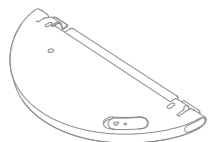


Poubelle



Outil de nettoyage

Autres accessoires



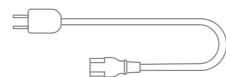
Réservoir d'eau



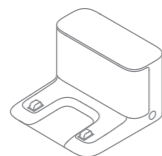
Serpillère



Brosse latérale



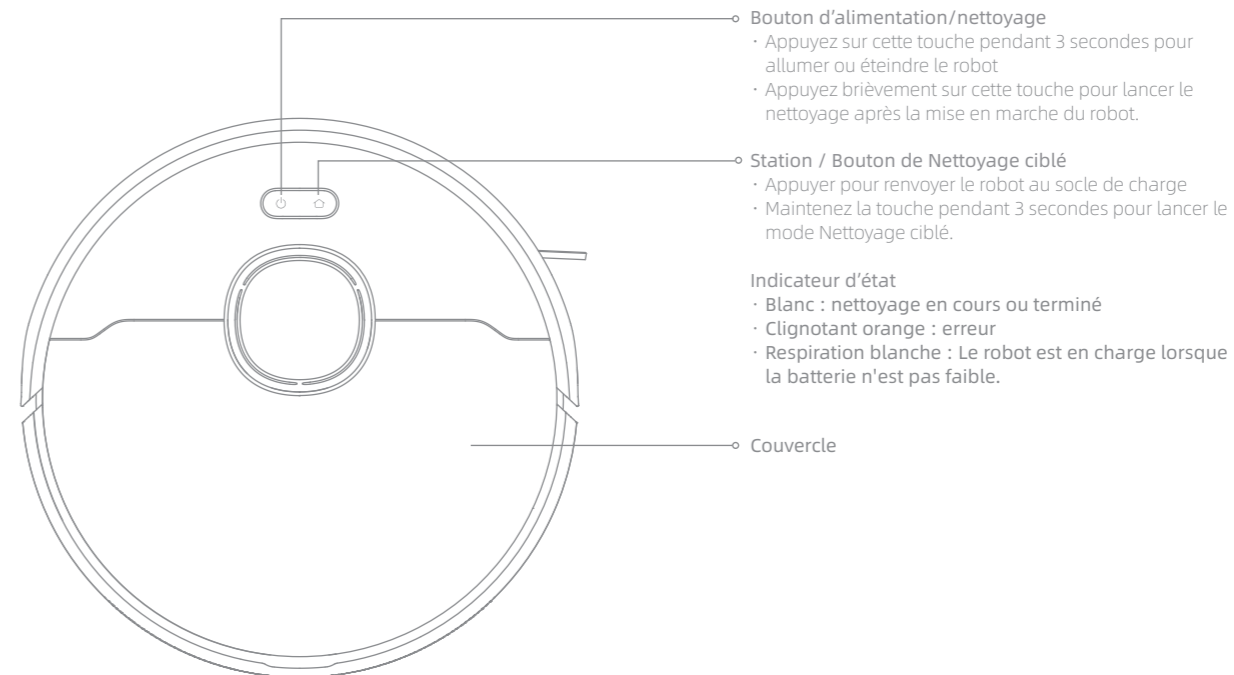
Câble d'alimentation



Socle de charge

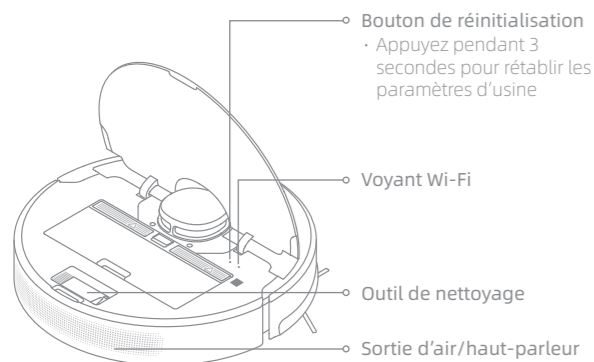
Présentation du produit

Robot

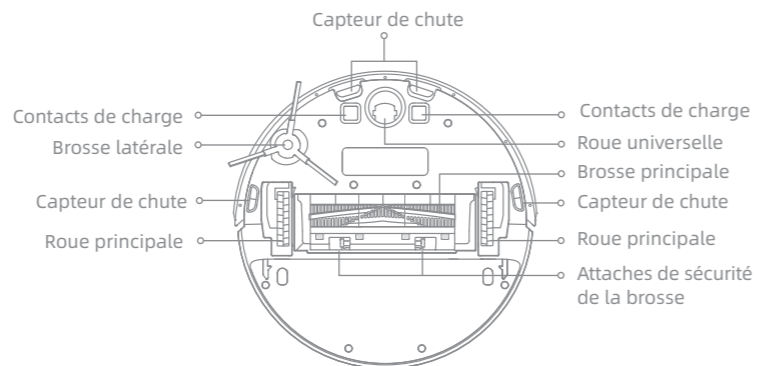
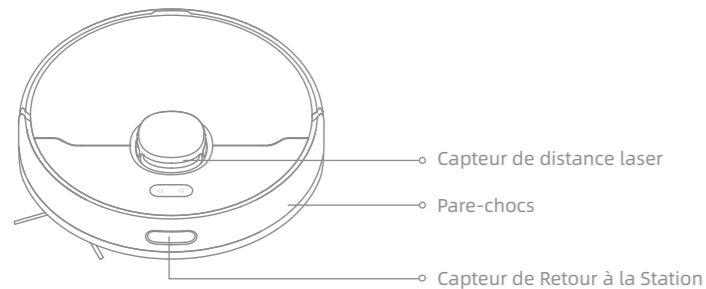


Présentation du produit

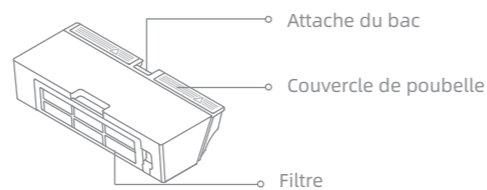
Robot



Capteurs du robot

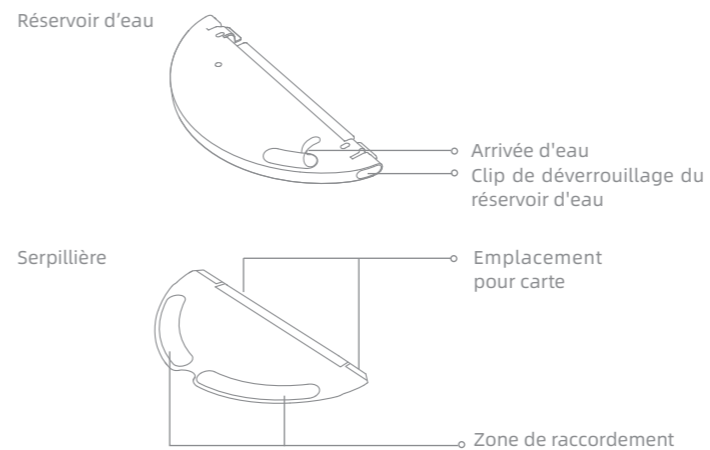


Poubelle

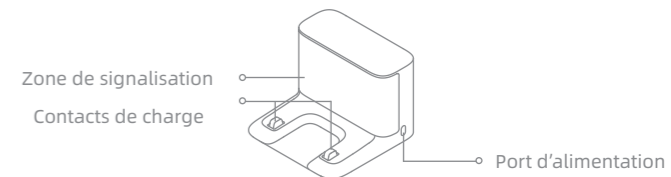


Présentation du produit

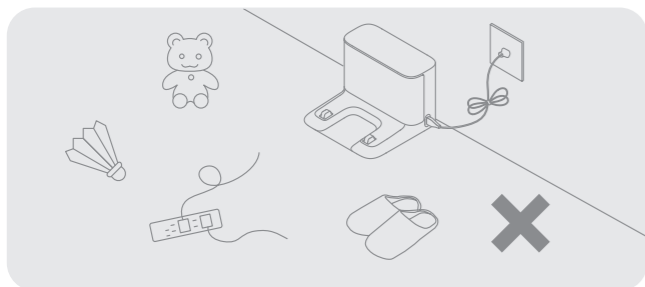
Module de nettoyage



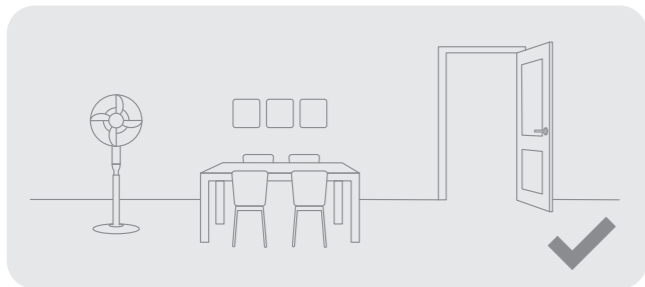
Socle de charge



Préparation de votre maison

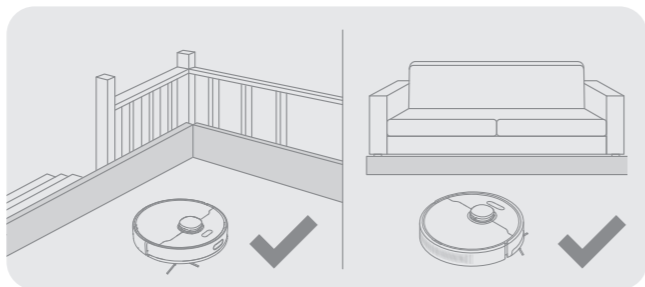


Rangez les objets tels que les cordons d'alimentation, les chiffons, les pantoufles et les jouets pour améliorer l'efficacité du robot.

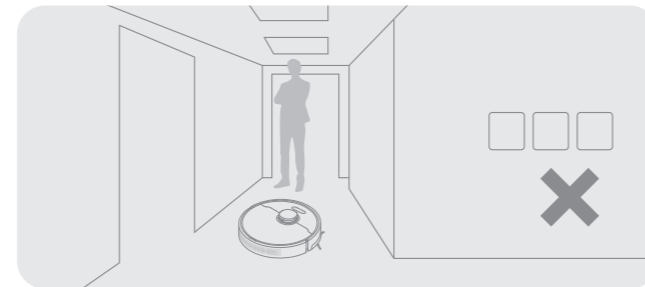


Ouvrez la porte de la pièce à nettoyer, et rangez les meubles dans un endroit approprié pour faire plus de place.

Remarque: lorsque vous utilisez le robot pour la première fois, suivez-le pendant le nettoyage afin d'éliminer tout obstacle potentiel à l'avance.



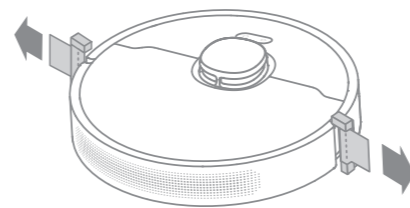
Veuillez utiliser des clôtures physiques pour éviter les zones suspendues ou basses avant le nettoyage afin d'assurer la sécurité et le bon fonctionnement du robot.



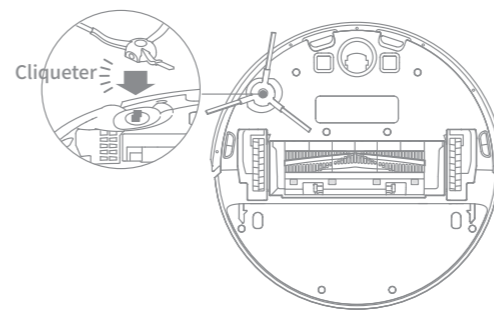
Pour éviter que le robot ne reconnaisse pas la zone à nettoyer, ne restez pas devant le robot, sur le palier, dans le couloir ou dans les endroits étroits.

Avant l'utilisation

1. Retirez les bandes de protection



2. Installer la brosse latérale

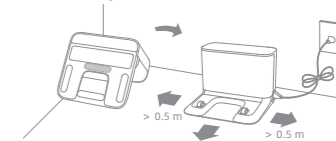


Remarque: installez la brosse latérale jusqu'à ce qu'elle s'enclenche en place.

3. Installation de la station de charge

Décolliez le ruban adhésif double face au bas de la station de chargement, puis placez la station sur un sol plat contre le mur et branchez-la à une prise de courant.

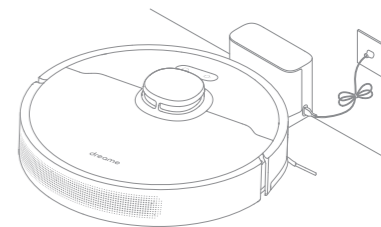
Placer la base dans la meilleure couverture du Wi-Fi



Remarque :

- Assurez-vous qu'il y a une distance de 0,5 mètre ou plus de chaque côté de la station de recharge, et une distance de plus de 1,5 mètre devant celle-ci.
- Ne placez pas la station de recharge dans un endroit directement exposé aux rayons du soleil où d'autres objets pourraient bloquer sa zone de signalisation, car cela pourrait empêcher le robot de retourner à la station de recharge.
- Veuillez nettoyer la zone du sol où la station de charge sera placée avec un chiffon sec.
- Utilisez du ruban adhésif double face en fonction de vos besoins.
- Si nécessaire, retirez lentement le ruban double face pour réduire les résidus d'adhésif.

4. Placez le robot sur le quai de chargement pour le recharger



Remarque :

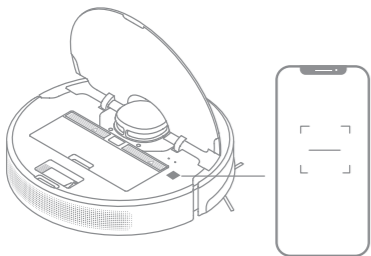
- Charger complètement avant la première utilisation.
- Ne déplacez pas la station de charge pendant le nettoyage du robot.

Connexion avec Dreamehome App

Ce produit fonctionne avec l'application Dreamehome, afin de contrôler votre appareil.

1. Téléchargez l'application Dreamehome

Scannez le code QR sur le robot, ou recherchez "Dreamehome" dans la boutique d'applications pour télécharger et installer l'application en fonction de vos besoins.



2. Ajouter un appareil

Ouvrez l'application Dreamehome, appuyez sur "+" en haut à droite, et scannez à nouveau le code QR ci-dessus pour ajouter "DreameBot D10s". Suivez les instructions pour réussir la connexion Wi-Fi.

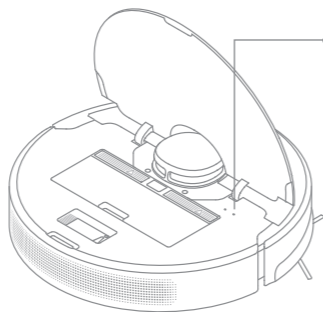


Remarque :

- Seul le Wi-Fi 2,4GHz est pris en charge.
- Le logiciel de l'application est en cours de mise à jour, les opérations réelles peuvent être différentes des instructions dans ce manuel. Veuillez suivre les instructions en fonction de la version actuelle de l'application.

3. Réinitialiser le Wi-Fi

Maintenez simultanément les touches et enfoncées jusqu'à ce que vous entendiez le message « En attente de la configuration réseau ». Lorsque le voyant du Wi-Fi clignote lentement, le Wi-Fi a été réinitialisé avec succès.



- Voyant Wi-Fi
- Clignote lentement : En recherche de connexion
 - Clignote rapidement : connexion en cours
 - Allumé : connecté

Remarque : lorsque votre téléphone ne parvient pas à se connecter au robot, réinitialisez le Wi-Fi et ajoutez à nouveau l'appareil.

Mode d'utilisation

1. Cartographie rapide

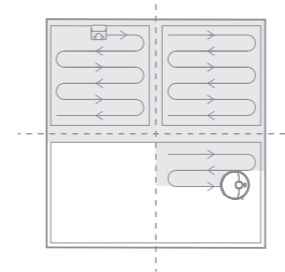
Après avoir configuré le réseau pour la première fois, suivez les instructions de l'application pour créer rapidement une carte, et le robot commencera à cartographier sans nettoyage. Le processus de cartographie sera terminé lorsque le robot retournera à la station de charge, et la carte sera enregistrée automatiquement.

2. Allumer/éteindre

Appuyez sur le bouton et maintenez-le enfoncé pendant 3 secondes pour allumer le robot, et le voyant d'alimentation est allumé en permanence. Placez le robot sur la station de charge, le robot va s'allumer automatiquement et commencer à se charger. Pour éteindre le robot, éloignez-le de la station de charge et appuyez sur le bouton pendant 3 secondes.

3. Commencer le nettoyage

Appuyez brièvement sur le bouton pour commencer le nettoyage après la mise en marche du robot. Ensuite, le robot tracera avec précision un itinéraire, nettoiera méthodiquement le long des bords et des murs, puis finira par nettoyer chaque pièce en forme de S pour assurer un travail complet.



4. Mode nettoyage

Quatre modes de nettoyage sont disponibles sur l'application silencieux, standard, fort et turbo. Le mode Standard est défini par défaut.

5. Pause / Veille

Lorsque le robot fonctionne, appuyez sur tout bouton pour le mettre en pause. Si le robot est mis en pause pendant plus de 10 minutes, il passe automatiquement en mode sommeil. Tous les indicateurs du robot s'éteignent. Appuyez sur n'importe quel bouton du robot, ou utilisez l'application pour réveiller le robot.

Remarque :

- Le robot s'éteint automatiquement s'il reste en mode veille pendant plus de 12 heures.
- Lorsque le robot est en pause, vous mettez fin au nettoyage en cours si vous le remplacez sur le socle de charge.

6. Nettoyage local

Lorsque le robot est en pause ou en mode veille, appuyez sur le bouton pendant 3 secondes pour activer le mode Nettoyage ponctuel. Dans ce mode, il nettoiera une surface carrée (1,5 x 1,5 m) autour de lui. Une fois le nettoyage ponctuel terminé, le robot retourna automatiquement à sa position initiale et s'éteindra.

Remarque : L'activation du mode Nettoyage ponctuel mettra fin au nettoyage en cours du robot.

7. Mode Ne pas déranger (DND)

Lorsque le robot est réglé en mode Ne pas déranger (DND), le robot ne peut pas reprendre le nettoyage et le voyant d'alimentation s'éteint. Le mode DND est désactivé par défaut en usine. Vous pouvez utiliser l'application pour activer le mode DND ou modifier la période de DND. La période de mise en veille est de 22:00-8:00 par défaut.

Remarque :

- Les tâches de nettoyage programmées seront effectuées à l'heure pendant la période de mise en veille.
- Le robot reprend le nettoyage du point où il s'est arrêté après l'expiration de la période de mise en veille.

8. Nettoyage programmé

Vous pouvez programmer des horaires de nettoyage via l'application Dreamehome. Le robot commencera automatiquement le nettoyage à l'heure définie, puis il retournera au socle de charge une fois qu'il aura terminé.

Mode d'utilisation

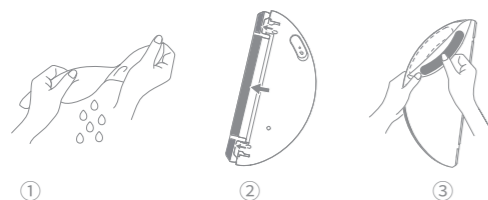
9. Plus de fonctionnalités concernant l'APP

Suivez les instructions sur l'interface de l'APP pour utiliser plus de fonctions. La version de l'application pourrait avoir été mise à jour, veuillez suivre les instructions de la version actuelle de l'application.

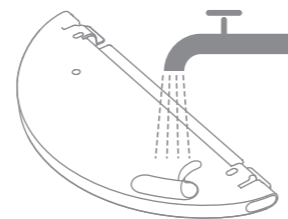
10. Utilisation de la fonction de nettoyage

Il est recommandé de passer l'aspirateur au moins trois fois sur tous les sols avant la première session de nettoyage afin d'obtenir un meilleur effet de nettoyage.

1) Humidifiez la serpillière et essorez de l'eau. Installez le tampon comme indiqué sur le schéma.

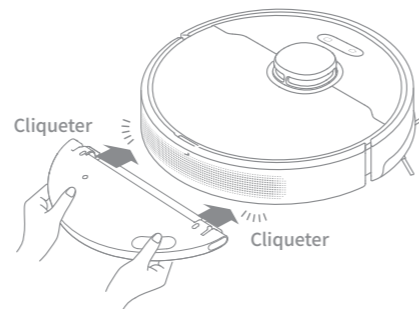


2) Remplissez le réservoir d'eau.



Remarque : N'utilisez pas de produits de nettoyage ou de désinfectants.

3) Alignez le module de nettoyage en suivant la flèche, puis faites-le glisser à l'arrière du robot jusqu'à ce que vous entendiez le clic. Appuyez sur le bouton  ou utilisez l'application Dreamehome pour commencer le nettoyage.



Remarque :

- Il n'est pas recommandé d'utiliser la fonction de nettoyage sur les tapis.
- Utilisez l'application pour ajuster le débit d'eau selon vos besoins.

Maintenance de routine

Pour maintenir le robot en bon état, il est recommandé de consulter le tableau suivant pour l'entretien courant.

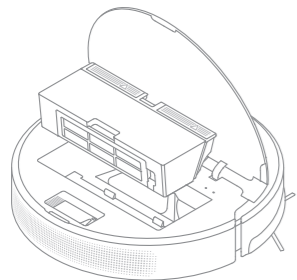
Pièces	Fréquence d'entretien	Fréquence de remplacement
Serpillière	Après chaque utilisation	Tous les 3 à 6 mois
Brosse principale		Tous les 6 à 12 mois
Filtre du sac à poussière	Une fois toutes les 2 semaines	Tous les 3 à 6 mois
Brosse latérale		
Zones de signalement de la station de charge		
Contacts de charge		
Roue universelle	Une fois par mois	/
Capteur de distance laser		
Capteur de chute		
Réservoir d'eau	Nettoyez si nécessaire	/
Poubelle		

Remarque : la fréquence de remplacement dépend de l'utilisation que vous faites du robot. Si une exception se produit en raison de circonstances particulières, les pièces doivent être remplacées.

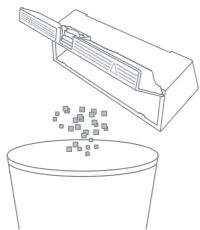
Maintenance de routine

Nettoyez le bac à poussière et le filtre

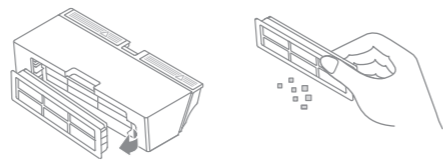
1. Ouvrez le couvercle du robot et appuyez sur l'attache du bac à poussière pour le retirer.



2. Ouvrez le couvercle du bac et videz le bac comme indiqué sur le schéma.



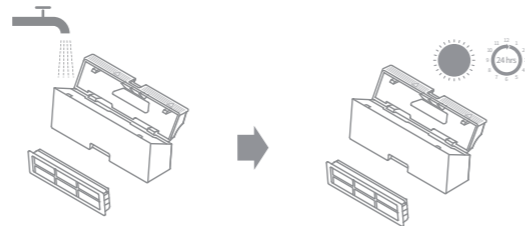
3. Retirez le filtre et tapez doucement sur son panier.



Remarque :

- n'essayez pas de nettoyer le filtre avec une brosse, un doigt ou des objets pointus pour éviter de l'endommager.

4. Rincez le bac à poussière et le filtre à l'eau et séchez-les complètement avant de les réinstaller.



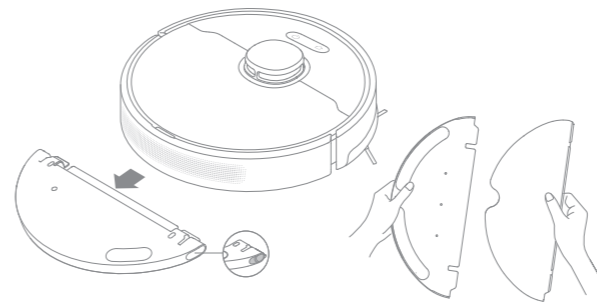
Remarque :

- Rincez le bac à poussière et le filtre à l'eau claire uniquement. N'utilisez pas de détergent.
- N'utilisez le bac à poussière et le filtre que lorsqu'ils sont complètement secs.

Maintenance de routine

Nettoyez le module de nettoyage

1. Faites glisser les deux pinces de libération sur le côté du réservoir d'eau pour retirer le module de balayage, puis retirez le tampon du module de balayage.

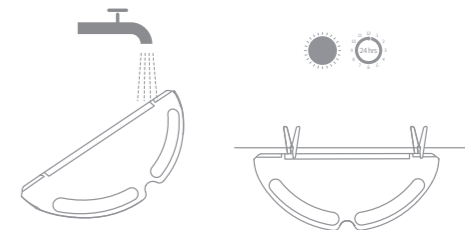


2. Videz l'eau restante du réservoir d'eau et gardez-le au sec naturellement.



Remarque : Ne pas exposer le réservoir directement au soleil.

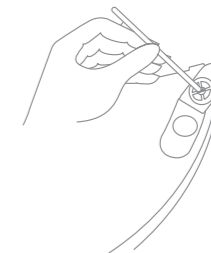
3. Nettoyez la serpillière, puis séchez-la



Remarque :

- Retirez la serpillière du module de lavage avant de la nettoyer et assurez-vous que l'eau sale ne retourne pas vers la sortie d'eau afin d'éviter tout colmatage.

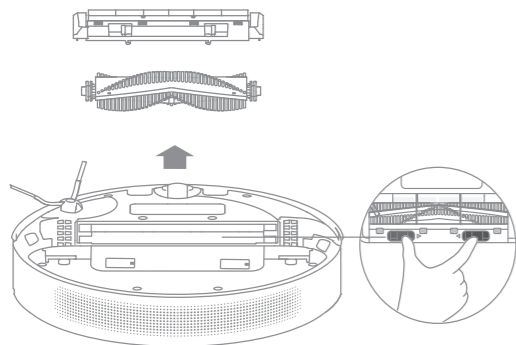
4. Si vous remarquez que l'eau coule lentement ou que le volume n'est pas bien réparti, veuillez nettoyer le trou d'aération dans le couvercle du réservoir d'eau.



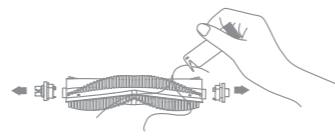
Maintenance de routine

Nettoyez la brosse principale

1. Appuyez sur les clips de protection de la brosse vers l'intérieur pour retirer la protection de la brosse et soulever la brosse pour la sortir du robot.



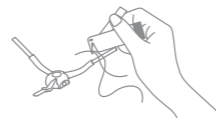
2. Retirez les couvercles des brosses comme indiqué sur le schéma. Utilisez l'outil de nettoyage fourni pour retirer les cheveux emmêlés dans la brosse.



Remarque : Ne tirez pas excessivement fort sur les cheveux emmêlés dans la brosse. Sinon, la brosse principale risque d'être endommagée.

Nettoyer la brosse latérale

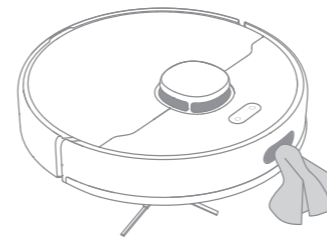
Sortez la brosse latérale et utilisez l'outil de nettoyage inclus pour enlever les cheveux emmêlés dans la brosse.



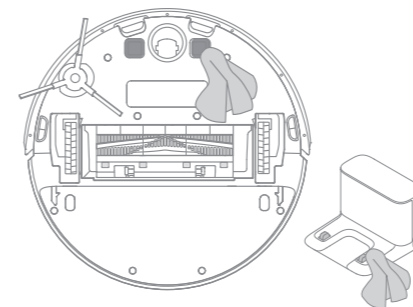
Maintenance de routine

Remarque: Veuillez utiliser un torchon sec pour le nettoyage, car le robot et la station de chargement intérieure possèdent des éléments sensibles. N'utilisez pas de torchon humide pour éviter les dommages causés par l'eau.

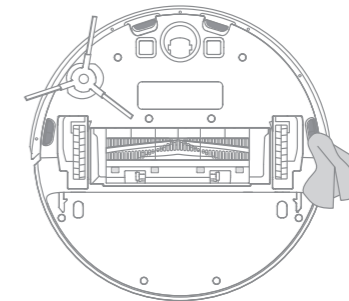
Nettoyez le Capteur de Retour à la Station





Nettoyez le contact de charge



Nettoyer le capteur de chute



Redémarrage du robot

Si le robot cesse de répondre ou ne peut pas être éteint, appuyez et maintenez le bouton  pendant 10 secondes pour l'éteindre de force. Ensuite, appuyez sur le bouton  et maintenez-le enfoncé pendant 3 secondes pour remettre le robot en marche.

Batterie

Le robot contient une batterie lithium-ion haute performance. Veuillez vous assurer qu'il reste bien chargé pendant l'utilisation quotidienne pour garantir une performance optimale de la batterie. Si le robot n'est pas utilisé pendant une longue période, éteignez-le et rangez-le. Afin qu'il ne soit pas endommagé en raison d'une décharge excessive, le robot doit être rechargé au moins une fois tous les trois mois.

Indicateur d'état

Le tableau suivant énumère les causes et les solutions possibles en fonction des différents états lumineux. Pour plus d'informations, veuillez vous référer à la section "FAQ" de ce manuel.

État de lumière	Cause possible	Solution
Désactivé	Sans l'alimentation électrique	Vérifiez et assurez-vous que l'alimentation de la station de charge est normale.
	Le robot en période de DND Le robot avec une charge complète en mode veille	/
Blanc	Le robot n'est pas sur la station de charge	/
Respiration blanche	Le robot en charge	/
Clignotant orange	Erreur	Vérifiez si la poubelle du robot est installée. Pour toute autre erreur, contactez des techniciens qualifiés ou le service après-vente.

FAQ

Problème	Solution
Le robot ne s'allume pas	Le niveau de batterie est faible. Rechargez le robot à l'aide du socle de charge, puis réessayez.
Le robot ne se charge pas	Le socle de charge n'est pas alimenté. Veuillez vérifier que les deux extrémités du cordon d'alimentation sont bien branchées. Problème de contact. Nettoyez les contacts de charge du socle de charge et du robot.
Le robot ne retourne pas au socle de charge	Il y a trop d'obstacles autour du socle de charge. Placez le socle de charge dans une zone plus ouverte. Veuillez nettoyer la zone d'émission de signal du socle.
Le robot ne fonctionne pas correctement	Éteignez-le robot, puis rallumez-le.
Le robot émet un bruit étrange	Un objet étranger est probablement coincé dans la brosse principale, la brosse latérale ou l'une des roues principales. Arrêtez le robot et enlevez les débris.
Le robot ne nettoie plus correctement ou n'élimine pas toute la poussière	Le bac à poussière est plein. Veuillez le nettoyer. Le filtre est obstrué. Veuillez le nettoyer. Un objet étranger est coincé dans la brosse principale. Veuillez la nettoyer.
Le robot ne peut pas se connecter au Wi-Fi	Un problème avec la connexion Wi-Fi est survenu. Réinitialisez le Wi-Fi et téléchargez la dernière version de l'application Dreamehome, puis essayez de vous reconnecter. Le système de localisation n'est pas ouvert. Veuillez vous assurer que le système de localisation de l'application Dreamehome est ouvert. Le signal Wi-Fi est faible. Assurez-vous que le robot est dans une zone offrant une bonne couverture Wi-Fi. Le Wi-Fi à 5 GHz n'est pas pris en charge. Veuillez vous assurer que votre robot peut se connecter à un signal Wi-Fi 2,4 GHz. Le nom d'utilisateur ou le mot de passe du Wi-Fi est incorrect. Veuillez vous assurer que le nom d'utilisateur et le mot de passe saisis sont corrects.

Problème	Solution
Le robot n'effectue pas le nettoyage programmé	Le niveau de batterie du robot est faible. Le nettoyage programmé ne commence pas tant que le robot ne dispose pas de moins 15 % de batterie.
Est-ce que de l'énergie continue d'être consommée lorsque je laisse le robot sur le socle de charge tandis qu'il est déjà chargé ?	Laisser le robot sur le socle de charge lorsqu'il est entièrement chargé consomme une très petite quantité d'électricité et aide à garantir une performance optimale de la batterie.
Il n'y a pas d'eau qui sort du réservoir d'eau, ou seulement un peu d'eau.	Vérifiez que le réservoir d'eau est rempli et nettoyez la serpillière, le cas échéant. Nettoyez la serpillière si elle est sale. Assurez-vous que la serpillière est bien installée conformément au mode d'emploi. Nettoyez le trou d'air du réservoir d'eau.
Le robot ne reprend pas le nettoyage après la charge	Assurez-vous que le robot n'est pas en mode Ne pas déranger, car cela l'empêcherait de reprendre le nettoyage. Le robot ne reprend pas le nettoyage après avoir été placé sur le socle de charge ou chargé manuellement.
Le robot ne retourne pas au socle de charge après avoir été déplacé	Le déplacement du robot peut l'obliger à se repositionner ou à cartographier à nouveau ses environs. Si le robot est trop éloigné du socle de charge, il ne pourra pas y retourner automatiquement. Vous devrez alors le placer manuellement sur le socle de charge.

Pour des services supplémentaires, veuillez nous contacter via aftersales@dreame.tech.

Site Web : <https://global.dreametech.com>

Spécifications

Robot

Modèle	RLS3L
Temps de Charge	Environ 6 heures
Tension nominale	14,4 V ---
Puissance nominale	46 W
Fréquence de fonctionnement	2400-2483,5 MHz
Puissance maximale en sortie	< 20 dBm

Charging Dock

Modèle	RCS0
Entrée nominale	100-240 V ~ 50/60 Hz 0,5 A
Sortie nominale	19,8 V --- 1 A

Dans des conditions normales d'utilisation, cet équipement doit être maintenu à une distance d'au moins 20 cm entre l'antenne et le corps de l'utilisateur.



FR

Cet appareil,
ses accessoires,
piles et cordons
se recyclent

À DÉPOSER
EN MAGASINÀ DÉPOSER
EN DÉCHÈTERIE

OU

Points de collecte sur www.quefairedemesdechets.fr
Privilégiez la réparation ou le don de votre appareil !

Mise au rebut et retrait de la batterie

La batterie lithium-ion intégrée contient des substances dangereuses pour l'environnement. Avant de mettre la batterie au rebut, assurez-vous qu'elle est retirée par des techniciens qualifiés et mise au rebut dans un centre de recyclage approprié.

- la batterie doit être retirée de l'appareil avant d'être mise au rebut ;
- l'appareil doit être déconnecté du réseau électrique lors du retrait de la batterie ;
- la batterie doit être mise au rebut en toute sécurité.

ATTENTION:

Avant de retirer la batterie, débranchez l'appareil et videz la batterie autant que possible.

Les batteries inutilisées doivent être mises au rebut dans un centre de recyclage approprié.

Ne pas exposer à un environnement à haute température pour éviter les risques d'explosion.

Dans des conditions abusives, un liquide peut être éjecté de la batterie. En cas de contact, rincez à l'eau et consultez un médecin.

Guide de retrait

1. Retournez le robot, utilisez un outil approprié pour retirer les vis à l'arrière du robot, puis retirez le couvercle.
2. Débranchez les bornes entre la batterie et la carte PCB pour retirer la batterie.

WEEE-Informationen



Tous les produits portant ce symbole deviennent des déchets d'équipements électriques et électroniques (DEEE dans la Directive européenne 2012/19/UE) qui ne doivent pas être mélangés aux déchets ménagers non triés. Vous devez contribuer à la protection de l'environnement et de la santé humaine en apportant l'équipement usagé à un point de collecte dédié au recyclage des équipements électriques et électroniques, agréé par le gouvernement ou les autorités locales. Le recyclage et la destruction appropriés permettront d'éviter tout impact potentiellement négatif sur l'environnement et la santé humaine. Contactez l'installateur ou les autorités locales pour obtenir plus d'informations concernant l'emplacement ainsi que les conditions d'utilisation de ce type de point de collecte.

Informazioni di sicurezza

Per evitare scosse elettriche, incendi o lesioni causate da un uso improprio dell'apparecchio, per favore leggi attentamente il manuale utente prima di usare l'apparecchio e conservalo per riferimento futuro.

Restrizioni per l'utilizzo

- Questo prodotto non deve essere utilizzato da bambini di età inferiore a 8 anni, né da persone con deficit fisici, sensoriali, cognitivi, esperienza o conoscenza limitata, senza la supervisione di un genitore o tutore, al fine di garantire la sicurezza del funzionamento ed evitare eventuali rischi. La pulizia e la manutenzione non devono essere eseguite da bambini senza supervisione.
- Non consentire ai bambini di giocare con questo prodotto. Assicurarsi che bambini e animali domestici siano a distanza di sicurezza dal robot mentre è in funzione.
- Questo prodotto deve essere usato solo per pulire i pavimenti di casa. Non va usato all'esterno, su superfici diverse dai pavimenti o in ambito commerciale o industriale.
- Se il cavo di alimentazione viene danneggiato o è spezzato, interrompere immediatamente l'utilizzo e contattare il servizio di assistenza post-vendita.
- Non utilizzare il robot in un ambiente sospeso sopra il livello del suolo senza una barriera protettiva.
- Non posizionare il robot capovolto. Non usare la copertura LDS, la copertura del robot o il paraurti come maniglia per il robot.

Informazioni di sicurezza

Restrizioni per l'utilizzo

- Non usare l'robot a una temperatura ambiente oltre i 40°C o al di sotto di 0°C o su pavimenti dove sono presenti liquidi o sostanze appiccicose.
- Togliere da terra eventuali cavi prima di utilizzare il robot, per evitare che vengano tirati durante la pulizia.
- Spostare dal pavimento gli oggetti fragili o piccoli per evitare che il robot li urti e li danneggi.
- Per evitare danni o danni causati dal trascinarsi, elimina eventuali oggetti sciolti dal pavimento e rimuovi cavi o cavi di alimentazione sul percorso di pulizia prima di usare l'apparecchio. Tenere lontani capelli, dita e altre parti del corpo dalla boccola di aspirazione del robot.
- Tenere lo strumento per la pulizia della spazzola lontano dalla portata dei bambini.
- Non posizionare bambini, animali domestici o nessun altro oggetto sul robot, sia quando è fermo sia quando è in movimento.
- Non usare il robot per pulire eventuali sostanze infiammabili. Non usare il robot per raccogliere liquidi infiammabili o combustibili, gas corrosivi o acidi o solventi non diluiti.
- Non usare l'aspirapolvere su oggetti duri e taglienti. Non usare l'apparecchio per raccogliere oggetti come sassi, pezzi di carta grandi o qualsiasi altro oggetto che possa ostruire l'apparecchio.

Informazioni di sicurezza

Restrizioni per l'utilizzo

- Accertarsi che il robot sia spento e che la base di ricarica sia scollegata prima di pulire o effettuare operazioni di manutenzione.
- Non usare un panno umido per pulire o alcun liquido per risciacquare il robot e la stazione di ricarica. Le parti lavabili devono essere completamente asciugate prima di installarle e usarle.
- Accertarsi che l'robot sia spento durante il trasporto e conservarlo nella sua confezione originale, se possibile.
- Utilizzare il prodotto seguendo le istruzioni fornite nel manuale utente. Gli utenti sono responsabili di eventuali perdite o danni derivanti dall'uso improprio dell'apparecchio.

Batterie e Ricarica

- Non utilizzare batterie, alimentatori o stazioni di ricarica non originali. Utilizzare soltanto con l'unità di alimentazione RCS0.
- Non tentare di smontare, riparare o modificare la batteria o la base di ricarica da soli.
- Non posizionare la base di ricarica vicino a fonti di calore.
- Non usare panni umidi o mani bagnate per strofinare o pulire i contatti della base di ricarica.
- Non smaltire in modo improprio le batterie usate. Smaltire le batterie non più necessarie in appositi impianti di riciclaggio.

Informazioni di sicurezza

Batterie e Ricarica

- Se l'robot non viene utilizzato per diverso tempo, ricaricarlo completamente, quindi spegnerlo e conservarlo in un posto fresco e asciutto. Ricaricare l'robot almeno una volta ogni 3 mesi per evitare uno scaricamento eccessivo della batteria.
- Questo prodotto contiene batterie che possono essere sostituite soltanto da tecnici qualificati o dal servizio di assistenza post-vendita.

Informazioni di sicurezza sul laser

- Il sensore laser di questo prodotto soddisfa lo Standard IEC 60825-1: 2014 per i prodotti laser di Classe 1. Per favore evita il contatto visivo diretto con esso durante l'uso.

Con la presente, Dreame Trading (Tianjin) Co., Ltd. dichiara che l'apparecchiatura radio di tipo RLS3L è conforme alla Direttiva 2014/53/UE. Il testo completo della dichiarazione di conformità UE è disponibile al seguente indirizzo Internet : <https://global.dreametech.com>
 Il manuale elettronico dettagliato è disponibile all'indirizzo <https://global.dreametech.com/pages/user-manuals-and-faqs>

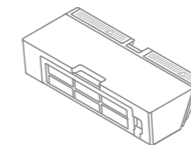
Presentazione del prodotto

Lista degli accessori

Accessori Preinstallati



Spazzola principale

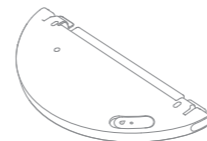


Contenitore Raccogliipolvere



Strumento di pulizia

Altri Accessori



Serbatoio d'acqua



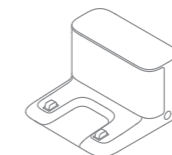
Mocio



Spazzola laterale



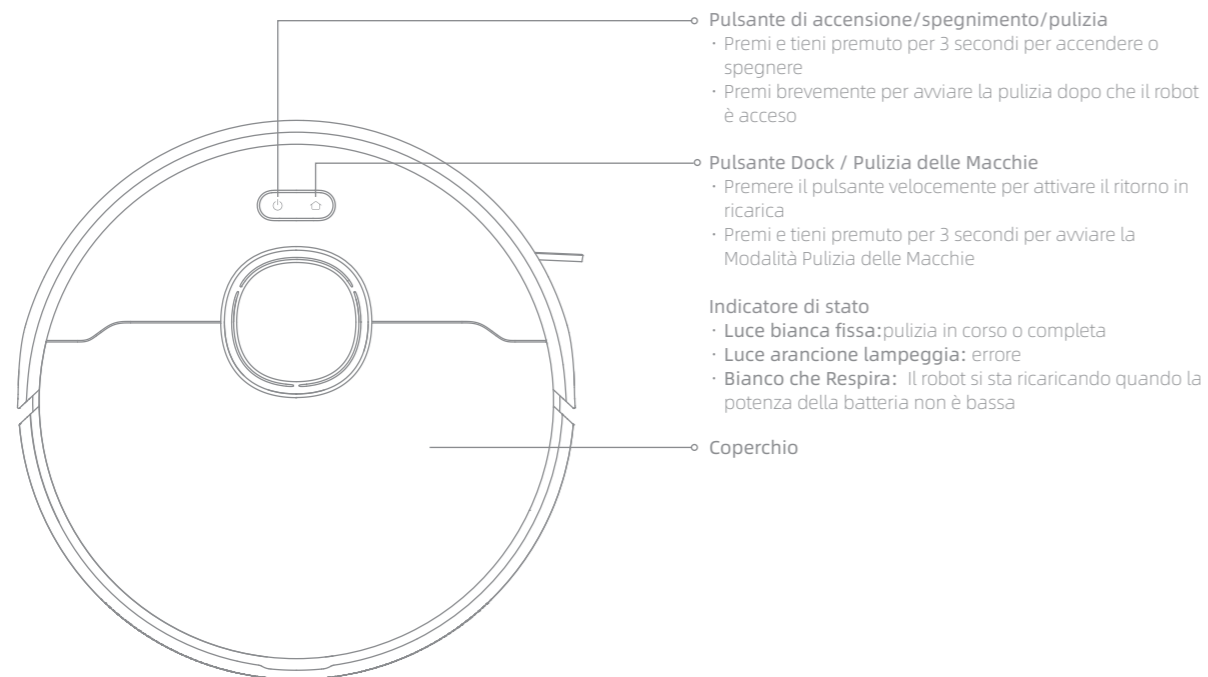
Cavo di Alimentazione



Stazione di ricarica

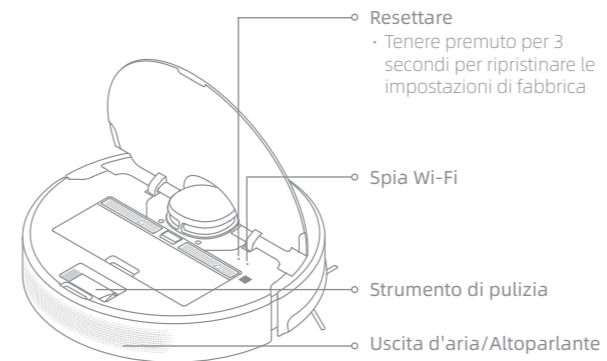
Presentazione del prodotto

Robot

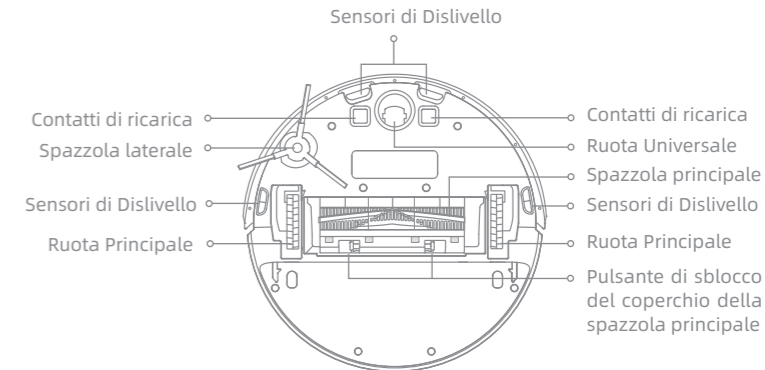
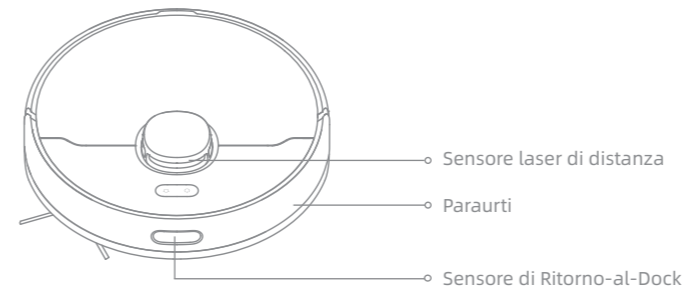


Presentazione del prodotto

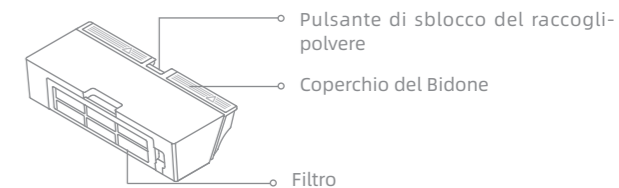
Robot



Sensore del dispositivo principale

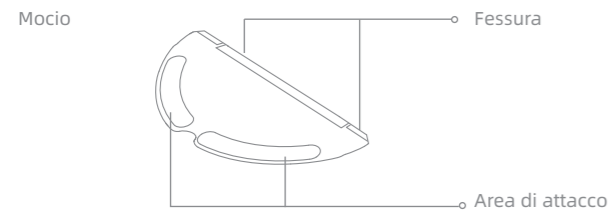
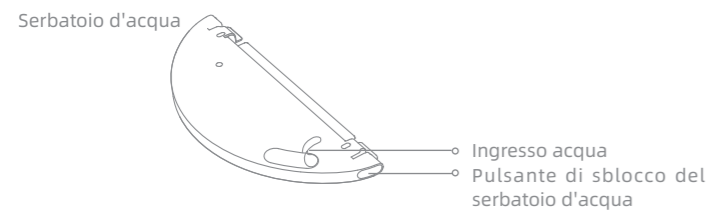


Contenitore Raccogli-polvere

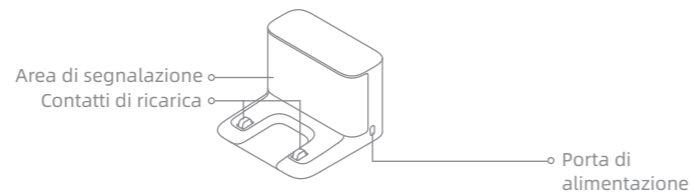


Presentazione del prodotto

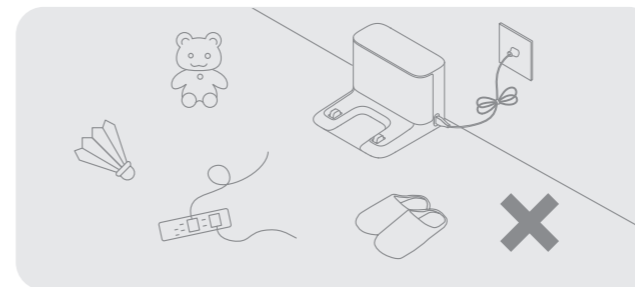
Modulo di lavaggio



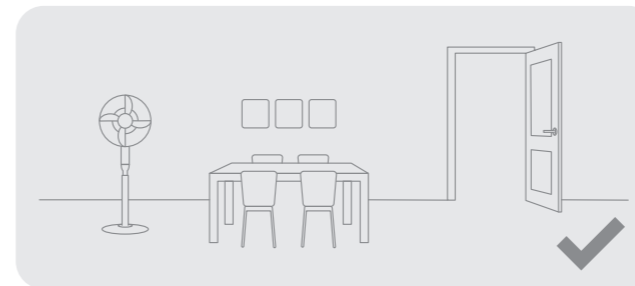
Stazione di ricarica



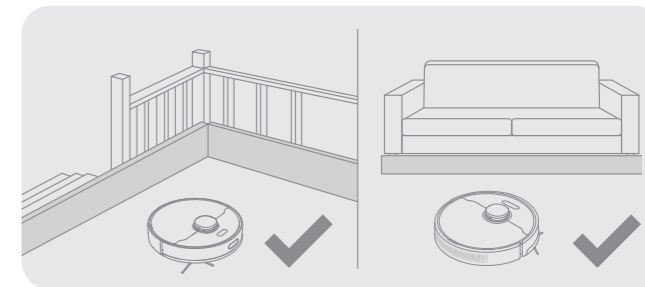
Prepara la Tua Casa



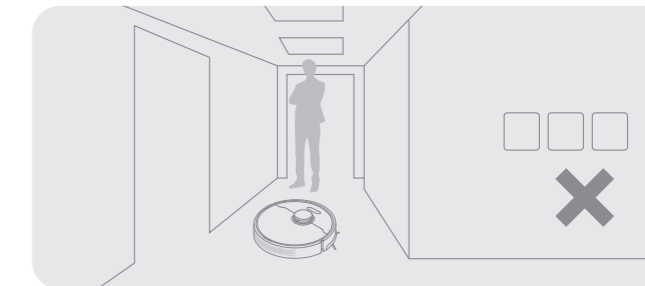
Riordina oggetti come cavi di alimentazione, panni, pantofole e giocattoli per migliorare l'efficienza del robot.



Aprire la porta della zona da pulire e mettere i mobili in posizione ordinata per lasciare uno spazio sufficiente.



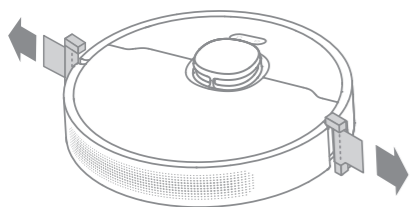
Prima della pulizia, utilizzare una barriera fisica sul bordo delle scale e del divano per garantire un funzionamento sicuro e regolare del robot.



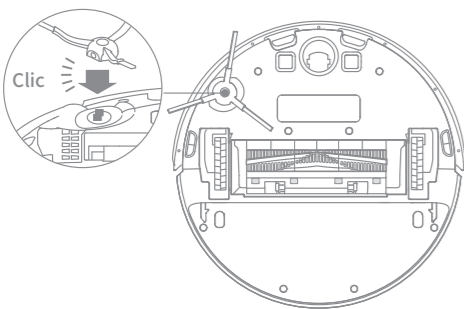
Per evitare che il robot non riconosca l'area da pulire, non sostare davanti al robot, alla soglia o al corridoio stretto.

Nota: Quando usi il robot per la prima volta, seguilo durante la pulizia per rimuovere eventuali ostacoli in tempo.

1. Rimuovi le strisce protettive



2. Installazione delle spazzole laterali

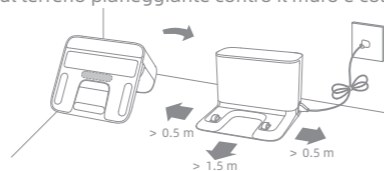


Nota: Installa la spazzola laterale finché non scatta in posizione.

3. Installare la base di ricarica

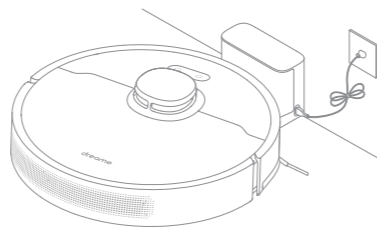
Stacca il nastro biadesivo nella parte inferiore del dock di ricarica, quindi posiziona il dock sul terreno pianeggiante contro il muro e collegalo a una presa di corrente.

Posizionare la base all'interno della migliore portata Wi-Fi

**Nota:**

- Assicurarsi che non ci sia altri oggetti alla distanza di 0,5 metri su entrambi i lati e 1,5 metri alla parte anteriore della stazione di ricarica.
- Non posizionare la stazione di ricarica sotto la luce diretta del sole o dove altri oggetti potrebbero bloccare il suo segnale, perché questo potrebbe impedire al robot di ritornare alla stazione di ricarica.
- Per favore pulisci l'area del pavimento dove verrà posizionata la base di ricarica con uno straccio asciutto.
- L'uso del nastro biadesivo si basa sulle tue esigenze.
- Se necessario, rimuovi lentamente il nastro biadesivo per ridurre i residui di adesivo.

4. Posizionare il robot sulla stazione di ricarica

**Nota:**

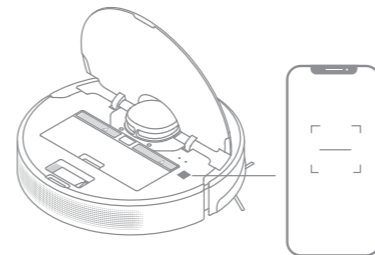
- Prima del suo primo utilizzo ricaricarlo completamente.
- Non spostare il dock di ricarica mentre il robot sta pulendo.

Connettiti con l'App Dreamehome

Questo prodotto funziona con l'app Dreamehome, che può essere usata per controllare il dispositivo.

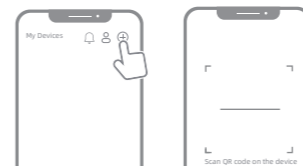
1. Scaricare l'App Dreamehome per la casa

Scansiona il codice QR sul robot o cerca "Dreamehome" nell'app store per scaricare e installare l'app in base alle tue esigenze.



2. Aggiungi dispositivo

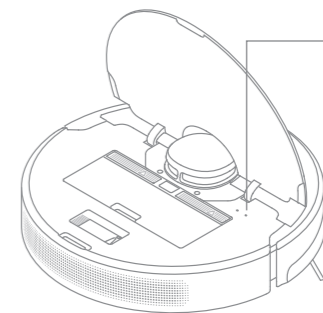
apri il Dreamehome, tocca "⊕" in alto a destra e scansiona nuovamente il codice QR sopra per aggiungere "DreameBot D10s". Segui le istruzioni per terminare la connessione Wi-Fi.

**Nota:**

- La connessione Wi-Fi supporta solo il segnale su banda 2,4 GHz.
- Il software dell'app è in fase di aggiornamento, le operazioni effettive potrebbero essere diverse dalle dichiarazioni in questo manuale. Per favore segui le istruzioni in base alla versione corrente dell'app.

3. Ripristino della connessione Wi-Fi

Sollevare la copertura superiore per verificare la spia Wi-Fi, premere i pulsanti e fino al messaggio sonoro "Attesa configurazione della rete". L'indicatore Wi-Fi inizierà a lampeggiare lentamente al riconoscimento delle informazioni di rete.



Spia Wi-Fi

- **Lampeggia lentamente:** attende la connessione
- **Lampeggia velocemente:** si sta connettendo
- **Acceso:** Connesso



Nota: In caso di connessione non riuscita, ripristinare le informazioni Wi-Fi e aggiungere nuovamente il dispositivo.

Istruzioni utente


1. Mappatura Veloce

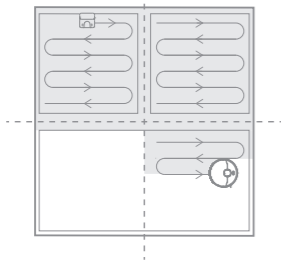
Dopo aver configurato la rete per la prima volta, segui le istruzioni sull'app per creare rapidamente una mappa e il robot inizierà a mappare senza pulizia. Il processo di mappatura sarà completato quando il robot tornerà al dock di ricarica e la mappa verrà salvata automaticamente.

2. Accensione/Spegnimento

Premi e tieni premuto il pulsante  per 3 secondi per accendere il robot e l'indicatore di alimentazione è permanentemente acceso. Posiziona il robot sul dock di ricarica, il robot dovrebbe accendersi automaticamente e iniziare la ricarica. Per spegnere il robot, allontana il robot dal dock, premi e tieni premuto il pulsante  per 3 secondi.

3. Avvio pulizia

Premi brevemente il pulsante  per avviare la pulizia dopo che il robot è stato acceso. Quindi, il robot mapperà accuratamente un percorso, pulirà metodicamente lungo i bordi e le pareti, quindi finirà pulendo ogni stanza secondo uno schema a forma di 5 per garantire un lavoro accurato.



4. Modalità di pulizia

Nell'app sono disponibili quattro modalità di pulizia: Silenziosa, Standard, Forte e Turbo. La modalità predefinita è quella Standard.


5. Pausa / Sonno

Quando il robot è in funzione, premi un pulsante qualsiasi per metterlo in pausa. Se il robot viene messo in pausa per più di 10 minuti, entra automaticamente in modalità di sospensione. Tutti gli indicatori sul robot si spegneranno. Premi un pulsante qualsiasi sul robot o usa l'app per svegliare il robot.

Nota:

- Il robot si spegnerà automaticamente se lasciato in modalità riposo per più di 12 ore quando non è in ricarica.
- Quando il dispositivo principale è in pausa, l'attività di pulizia terminerà se viene posizionato sulla stazione di ricarica.

6. Pulizia delle Macchie

Quando il robot è in modalità di standby o in pausa, tenere premuto il pulsante  per 3 secondi per avviare la Pulizia Macchia. In questa modalità, verrà pulita un'area quadrata di 1,5 x 1,5 metri tutto intorno al robot. Quando la pulizia a macchia è stata conclusa, il robot tornerà automaticamente alla sua posizione originaria e si spegnerà.

Nota: Avviare la Pulizia Macchia quando il robot è in Pausa terminerà questa pulizia.

7. Modalità Non Disturbare (DND)

Quando il robot è impostato sulla modalità Non Disturbare (DND), al robot verrà impedito di riprendere la pulizia e l'indicatore di alimentazione si spegne. La modalità DND è disabilitata per impostazione predefinita in fabbrica. Puoi usare l'app per abilitare la modalità DND o modificare il periodo DND. Il periodo DND è 22: 00 - 8: 00 per impostazione predefinita.

Nota:

- I compiti di pulizia programmati verranno eseguiti in tempo durante il periodo DND.
- Il robot riprenderà la pulizia da dove era stata interrotta dopo la scadenza del periodo DND.

8. Pulizia programmata

È possibile programmare l'ora per la pulizia nell'app Dreamehome. Il robot inizierà a pulire automaticamente all'orario selezionato e, una volta conclusa la pulizia, tornerà sulla stazione di ricarica per ricaricarsi.

Istruzioni utente

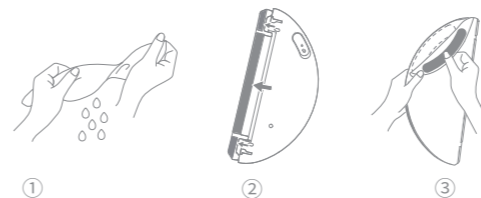
9. Più funzioni nell'App

Segui le istruzioni sull'interfaccia dell'App per utilizzare più funzioni. La versione dell'app potrebbe essere stata aggiornata e si prega di seguire le istruzioni che fanno riferimento alla versione corrente.

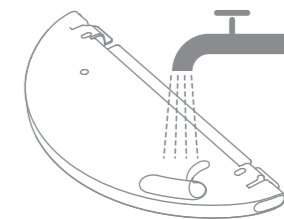
10. Usare la funzione di lavaggio

Si raccomanda di procedere all'aspirazione del pavimento almeno tre volte prima della prima sessione di lavaggio per avere una migliore pulizia.


1) Inumidire il panno di lavaggio e strizzare l'acqua in eccesso. Installa il mocio come mostrato nel diagramma.

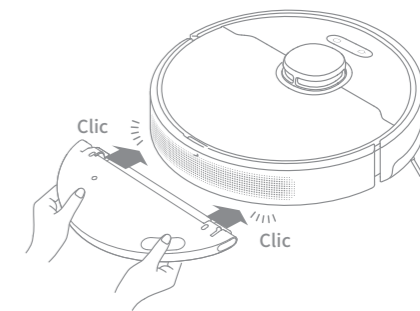


2) Riempi il serbatoio con acqua.



Nota: Non utilizzare detersivi o disinfettanti.

3) Installare il serbatoio nel dispositivo, e farlo scorrere fino in fondo finché non scatta in posizione con un "clic". Premere il pulsante  oppure utilizzare l'app Dreamehome per avviare la pulizia.



Nota:

- Non è raccomandato usare la funzione di lavaggio sui tappeti.
- Usare l'app per regolare il flusso d'acqua a seconda della necessità.

Manutenzione quotidiana

Per mantenere il robot in buone condizioni, si consiglia di fare riferimento alla tabella seguente per la manutenzione ordinaria.

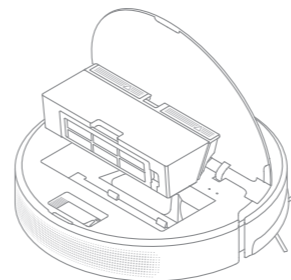
Parte	Frequenza di Manutenzione	Frequenza di Sostituzione
Mocio	Dopo ogni uso	Ogni 3 - 6 mesi
Spazzola principale	Una volta ogni 2 settimane	Ogni 6 - 12 mesi
Filtro del Contenitore della Polvere		Ogni 3 - 6 mesi
Spazzola laterale		
Area di segnalazione della base di ricarica	Una volta ogni mese	/
Contatti di ricarica		
Ruota Universale		
Sensore laser di distanza		
Sensori di Dislivello		
Serbatoio d'acqua	Pulire secondo necessità	/
Contenitore Raccogli-polvere		

Nota: La frequenza di sostituzione dipenderà dal tuo utilizzo del robot. Se si verifica un'eccezione a causa di circostanze speciali, le parti devono essere sostituite.

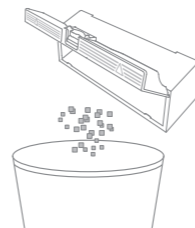
Manutenzione quotidiana

Pulizia del raccogli-polvere e del filtro

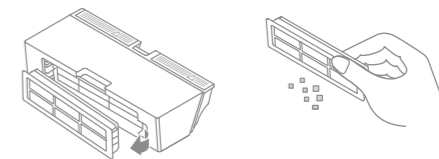
1. Apri il coperchio del robot e premi il gancio del contenitore della polvere per rimuovere il bidone della polvere.



2. Apri il coperchio del bidone e svuota il bidone come mostrato nel diagramma.

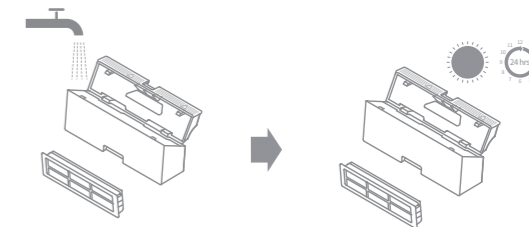


3. Rimuovi il filtro e tocca delicatamente il suo cestello.



Nota: Non tentare di pulire il filtro con una spazzola, un dito o oggetti appuntiti per evitare danni.

4. Sciacqua il contenitore della polvere e il filtro con acqua e asciugali completamente prima di reinstallarli.



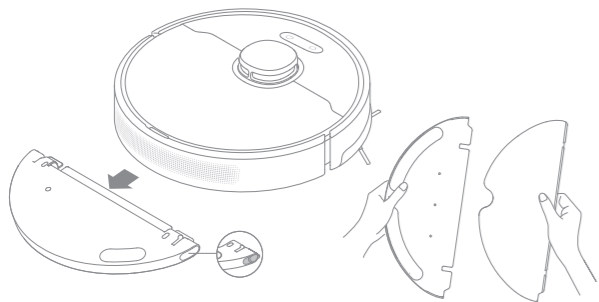
Nota:

- Sciacqua il bidone della polvere e il filtro solo con acqua pulita. Non usare alcun detersivo.
- Usa il bidone della polvere e il filtro solo quando sono completamente asciutti.

Manutenzione quotidiana

Pulizia del modulo di lavaggio

1. Fai scorrere le due morsetti di rilascio sul lato del serbatoio dell'acqua per rimuovere il modulo di pulizia, quindi estrai il mocio dal modulo di pulizia.



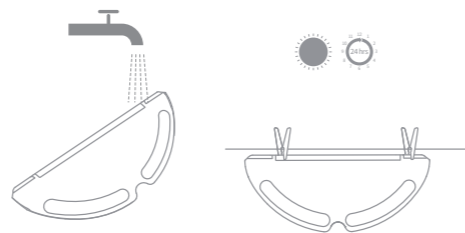
2. Svuotare l'acqua rimanente nel serbatoio d'acqua e lasciarlo asciugare naturalmente.



Nota:

- Non esporre il serbatoio alla luce diretta del sole.

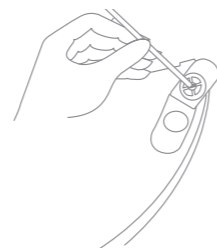
3. Pulire e far asciugare il panno di lavaggio.



Nota:

- Rimuovere il panno e pulirlo dopo la pulizia per evitare che l'acqua sporca ritorni nell'uscita d'acqua e causi intasamenti.

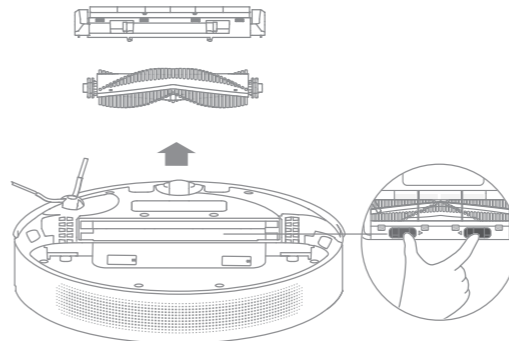
4. Se il volume del flusso d'acqua non è ben distribuito o rallentato si prega di pulire la bocchetta d'aria sul coperchio del serbatoio.



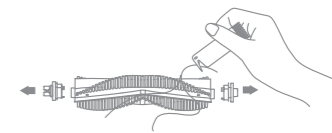
Manutenzione quotidiana

Pulizia della spazzola principale

1. Premi i ganci di guardia della spazzola verso l'interno per rimuovere la guardia della spazzola e sollevare la spazzola dal robot.



2. Estrai i coperchi della spazzola come mostrato nel diagramma. Usa lo strumento di pulizia fornito per rimuovere i capelli aggrovigliati nella spazzola.



Nota:

- Se i capelli sono strettamente aggrovigliati alla spazzola non tirarli con forza per evitare di danneggiarla.

Pulizia della spazzola laterale

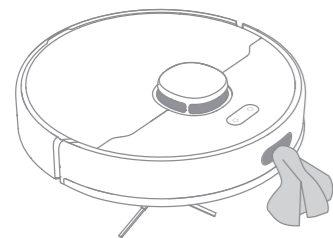
Estrai la spazzola laterale e usa lo strumento di pulizia incluso per rimuovere qualsiasi capello aggrovigliato nella spazzola.



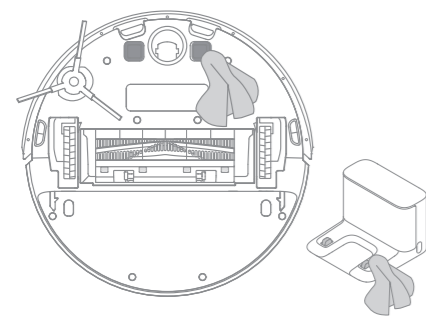
Manutenzione quotidiana

Nota: Si prega di usare uno straccio asciugato per la pulizia, visto che il dispositivo principale e l'interno della stazione di ricarica contengono elementi sensibili. Non usare stracci bagnati per evitare danneggiamenti causati dall'acqua.

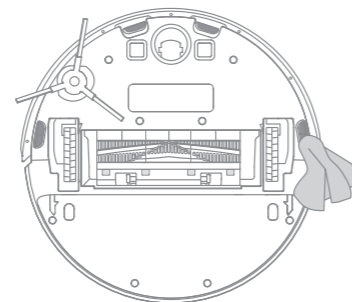
Pulisci il Sensore di Ritorno-al-Dock





Pulire il contatto della carica



Pulire il sensore di dislivello



Riavvio del Robot

Se il robot smette di rispondere o non può essere spento, premi e tieni premuto il pulsante  per 10 secondi per spegnerlo forzatamente. Quindi, premi e tieni premuto il pulsante  per 3 secondi per accendere il robot.

Batteria

Il robot contiene una batteria agli ioni di litio ad alte prestazioni. Assicurarsi che l'apparecchio resti carico durante l'utilizzo quotidiano per mantenere le prestazioni ottimali della batteria.

Se il robot non viene utilizzato per lungo tempo, spegnerlo e conservarlo. Per evitare danni da scaricamento eccessivo, ricaricare il robot almeno una volta ogni tre mesi.

Indicatore di stato

La tabella seguente elenca le possibili cause e soluzioni in termini di diverso stato della luce. Per ulteriore supporto, fare riferimento alla sezione Problemi comuni in questo manuale.

Stato della Luce	Causa Possibile	Soluzione
Spenta	Nessuna alimentazione	Controlla e assicurati che l'alimentazione dal dock di ricarica sia normale.
	Il robot nel periodo ND Il robot a piena carica in modalità risparmio	/
Luce bianca fissa	Il robot non è sul dock di ricarica	/
Bianca Lampeggia	Il robot in carica	/
Luce arancione lampeggia	Errore	Verificare se il contenitore raccogli-polvere del robot è installato. Per altri errori, contattare i tecnici qualificati o il servizio post-vendita.

Problemi comuni

Problema	Soluzione
Il robot non si accende	Il livello della batteria è basso. Ricaricare il robot sulla stazione di ricarica, e poi riprovare.
Il robot non si ricarica	La stazione di ricarica non riceve alimentazione. Verificare che entrambe le estremità del cavo di alimentazione siano collegate correttamente. Problema sui contatti. Pulire i contatti di ricarica della stazione di ricarica e del robot.
Il robot non ritorna alla stazione di ricarica	Ci sono troppi ostacoli intorno alla stazione di ricarica. Posizionare la stazione di ricarica in una zona più libera. Pulire l'area di segnalazione della stazione di ricarica.
Il robot non funziona bene	Spegnere e riaccendere il robot.
Il robot fa uno strano rumore	Potrebbe essersi incastrato un oggetto estraneo nella spazzola principale, in quella laterale o in una delle rotelle principali. Spegnere il robot e rimuovere eventuali residui.
Il robot non pulisce più con la stessa efficienza di prima o lascia polvere dietro di sé	Il raccogli-polvere è pieno. Svuotarlo. Il filtro è bloccato. Pulirlo. Un oggetto estraneo si è incastrato nella spazzola principale. Eliminarlo.
Il robot non riesce a collegarsi al Wi-Fi	Qualcosa non va con la connessione Wi-Fi. Resettare il Wi-Fi e scaricare l'ultima versione dell'app Dreamehome, poi prova a riconnetterti. L'autorizzazione alla posizione non è aperta. Si prega di assicurarsi che l'autorizzazione alla posizione sia aperta sull'app Dreamehome. Il segnale Wi-Fi è troppo debole. Assicurarsi che il robot sia in una zona all'interno della portata del Wi-Fi. La frequenza 5Ghz del Wi-Fi non è supportata. Assicurarsi che il robot sia connesso al Wi-Fi 2.4Ghz. Lo username o la password del Wi-Fi non sono corretti. Assicurarsi di inserire lo username e la password corretti.

Problemi comuni

Problema	Soluzione
Il robot non effettua la pulizia programmata	Il robot ha la batteria bassa. La pulizia programmata non inizierà a meno che il robot non abbia almeno il 15% di batteria residua.
Se il robot viene lasciato sulla stazione di ricarica, consumerà energia	Se il robot viene lasciato sulla stazione di ricarica, consumerà poco energia e ciò contribuirà a mantenere prestazioni ottimali per la batteria.
Non esce acqua dal serbatoio d'acqua, o o ne esce solo un po'	Verificare che nel serbatoio d'acqua ci sia acqua. Pulire il panno se diventa stroppo sporco. Accertarsi che il panno di lavaggio sia installato correttamente facendo riferimento al manuale d'utente. Si prega di pulire in tempo il foro d'aria sul coperchio del serbatoio d'acqua.
Il robot non riprende a pulire dopo la ricarica dopo tornato alla stazione a causa della batteria scarsa durante una lla ba pulizia	Accertarsi che il robot non sia impostato sulla modalità Non Disturbare che impedirebbe la ripresa della pulizia. Il robot non riprende a pulire quando viene caricato o posto manualmente sulla stazione di ricarica.
Il robot non ritorna sulla stazione di ricarica dopo essere stato spostato	Lo spostamento del robot può portare quest'ultimo a posizionarsi altrove o a ridefinire ciò che gli sta intorno. Se il robot è troppo lontano dalla stazione di ricarica, potrebbe non riuscire a tornare automaticamente alla stazione di ricarica da solo, nel qual caso sarà necessario posizionarlo manualmente su di essa.

Per servizi aggiuntivi, per favore contattaci tramite aftersales@dreame.tech

Sito web: <https://global.dreame.tech>

Specifiche tecniche

Robot

Modello	RLS3L
Tempo di ricarica	Circa 6 ore
Tensione nominale	14,4 V $\overline{\text{---}}$
Potenza nominale	46 W
Frequenza d'esercizio	2400-2483,5 MHz
Potenza in uscita massima	< 20 dBm

Scatola	Manuale	Manuale	Pellicola	Pellicola	Borsa	Pellicola
PAP 20	PAP 21	PAP 22	PVC 3	PET 1	CPE 7	PP 5
Carta			Plastica			
RACCOLTA DIFFERENZIATA						
Verifica le disposizioni del tuo Comune. Separa le componenti e conferiscile in modo corretto.						

Stazione di ricarica

Modello	RCS0
Ingresso nominale	100-240 V ~ 50/60 Hz 0,5 A
Uscita nominale	19,8 V $\overline{\text{---}}$ 1 A

In condizioni d'uso normali, questa apparecchiatura deve essere tenuta a una distanza minima di 20 cm tra l'antenna e il corpo dell'utente.

Smaltimento e Rimozione della Batteria

La batteria incorporata agli ioni di litio contiene sostanze pericolose per l'ambiente. Prima di smaltire la batteria, assicurati che la batteria sia rimossa da tecnici qualificati e smaltita presso un centro di riciclaggio appropriato.

-la batteria deve essere rimossa dall'apparecchio prima che sia rottamata;
-l'apparecchio deve essere scollegato dalla rete di alimentazione al momento della rimozione della batteria;
-la batteria deve essere smaltita in modo sicuro.

ATTENZIONE:

Prima di rimuovere la batteria, scollega l'alimentazione ed esaurisci la batteria il più possibile.

Le batterie non necessarie devono essere smaltite presso un centro di riciclaggio appropriato.

Non esporre ad ambienti ad alta temperatura per evitare rischi di esplosione.

In condizioni abusive, il liquido potrebbe essere espulso dalla batteria. In caso di contatto, sciacqua con acqua e consulta un medico.

Guida alla Rimozione

1. Capovolgì il robot, usa uno strumento adeguato per rimuovere le viti sul retro del robot, quindi rimuovi il coperchio.
2. Scollega i terminali tra la batteria e la scheda PCB per rimuovere la batteria.

Informazioni RAEE



Tutti i prodotti contrassegnati da questo simbolo sono rifiuti di apparecchiature elettriche ed elettroniche (RAEE in base alla direttiva 2012/19/UE) che non devono essere smaltiti assieme a rifiuti domestici non differenziati. Al contrario, è necessario proteggere l'ambiente e la salute umana consegnando i rifiuti a un punto di raccolta autorizzato al riciclaggio di rifiuti di apparecchiature elettriche ed elettroniche, predisposto dalla pubblica amministrazione o dalle autorità locali. Lo smaltimento e il riciclaggio corretti aiutano a prevenire conseguenze potenzialmente negative all'ambiente e alla salute umana. Contattare l'installatore o le autorità locali per ulteriori informazioni sulla sede e per i termini e le condizioni di tali punti di raccolta.

Información de seguridad

Para evitar descargas eléctricas, incendios o lesiones causadas por uso inadecuado del aparato, lea atentamente el manual del usuario antes de utilizar el aparato y guárdelo para futuras consultas.

Restricciones de uso

- Este producto no debe ser utilizado por niños menores de 8 años ni por personas con deficiencias físicas, sensoriales o intelectuales, o experiencia o conocimientos limitados, sin la supervisión de un progenitor o un tutor legal que pueda garantizar un funcionamiento seguro y evitar riesgos. La limpieza y el mantenimiento no deben ser realizados por menores sin supervisión.
- Este producto no es un juguete. Asegúrese de que tanto niños como mascotas mantienen una distancia de seguridad mientras esté en funcionamiento.
- Este producto es solo apto para la limpieza de suelos del hogar. No lo utilice en exteriores, en otro tipo de superficies ni en un entorno comercial o industrial.
- Si se daña o se rompe el cable de alimentación, deje de usarlo inmediatamente y póngase en contacto con el servicio posventa.
- No use el robot en zonas con desnivel sin una barrera protectora.
- No coloque el robot boca abajo. No utilice la cubierta del SLD, la cubierta del robot o el parachoques como asa para mover el robot.

Información de seguridad

Restricciones de uso

- No use el robot si la temperatura ambiente es superior a los 40°C o inferior a los 0°C, o si hay líquidos o sustancias pegajosas en el suelo.
- Recoja cualquier cable del suelo antes de usar el robot para evitar que se dañen durante la limpieza.
- Recoja objetos frágiles o pequeños del suelo para evitar que el robot los succione y los dañe.
- Para evitar daños por arrastre, por favor quite cualquier objeto suelto del piso y guarde los cables en la ruta de limpieza antes de operar el aparato.
- Evite que el pelo, los dedos o cualquier otra parte del cuerpo entre en contacto con la zona de succión del robot.
- Mantenga el cepillo de limpieza fuera del alcance de los niños.
- No coloque niños, mascotas ni cualquier objeto encima del robot si este se encuentra estacionado o en movimiento.
- No use el robot para limpiar sustancias tóxicas o inflamables. No utilice el robot para recoger líquidos inflamables o combustibles, gases corrosivos o ácidos o disolventes sin diluir.
- No aspire objetos duros o afilados. No utilice el aparato para recoger objetos como piedras, trozos de papel grandes o cualquier elemento que pueda obstruir el aparato.
- Antes de limpiar el robot o realizar labores de mantenimiento, asegúrese

Información de seguridad

Restricciones de uso

- de que está apagado y la base de carga desconectada.
- No utilice paño húmedo ni ningún líquido para limpiar o enjuagar el robot y el puerto de carga. Las piezas lavables deben secarse completamente antes de ser instaladas y utilizadas.
- Asegúrese de que el robot esté apagado cuando lo transporte y guárdelo en su embalaje original si es posible.
- Use este producto de acuerdo con las instrucciones del manual. Los usuarios son responsables de cualquier pérdida o daño debidos a un uso no adecuado del producto.

Baterías y carga

- No utilice ninguna batería, cable de alimentación o base de carga de terceros. Usar sólo con la unidad de alimentación RCS0.
- No intente desarmar, reparar ni modificar la batería o la base de carga por su cuenta.
- No coloque la base de carga cerca de una fuente de calor.
- No limpie los contactos de carga de la base con un paño húmedo ni las manos mojadas.
- No deseche las pilas usadas de forma inadecuada. Las baterías que ya no se necesiten deben desecharse en una instalación de reciclaje adecuada.
- Si no va a utilizar el robot durante un largo periodo de tiempo, cárguelo

Información de seguridad

Baterías y carga

- completamente, apáguelo y guárdelo en un lugar fresco y seco. Recargue el robot al menos una vez cada 3 meses para evitar la sobredescarga de la batería.
- Este producto contiene baterías que solo pueden ser reemplazadas por técnicos cualificados o por el servicio posventa.

Información de seguridad del láser

- El sensor láser de este producto cumple con el Estándar IEC 60825-1: 2014 para productos láser de Clase 1. Evite el contacto directo con los ojos al usarlo.

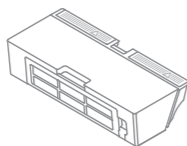
Por la presente, Dreame Trading (Tianjin) Co., Ltd. declara que el tipo de equipo radioeléctrico RLS3L cumple con la Directiva 2014/53/UE. Encontrará el texto completo de la declaración de conformidad de la UE en esta dirección de Internet: <https://global.dreametech.com>
Para un manual electrónico detallado, vaya a <https://global.dreametech.com/pages/user-manuals-and-faqs>

Accesorios

Accesorios Pre-Instalados



Cepillo principal

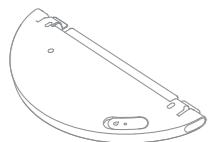


Depósito de polvo

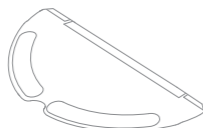


Herramienta de limpieza

Otros Accesorios



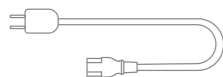
Depósito de agua



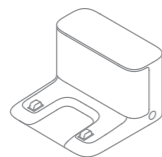
Mopa



Cepillo lateral

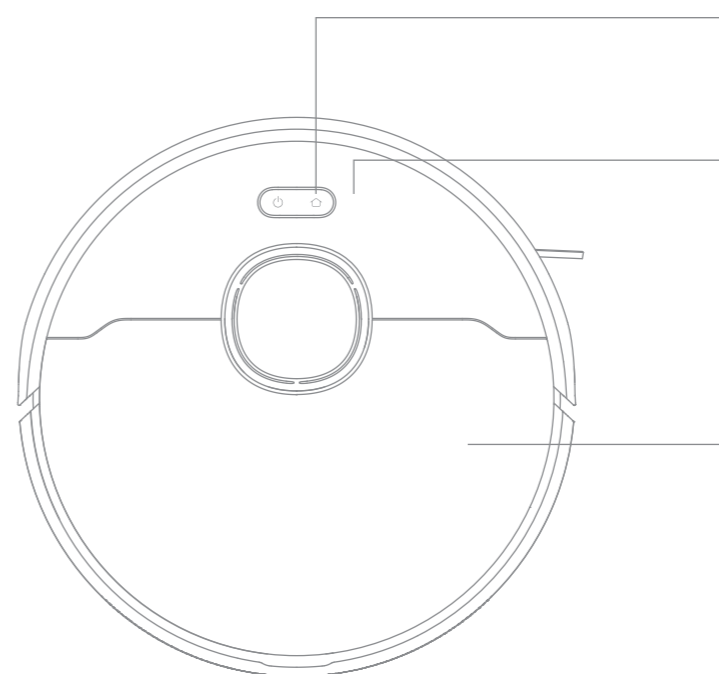


Cable de Alimentación



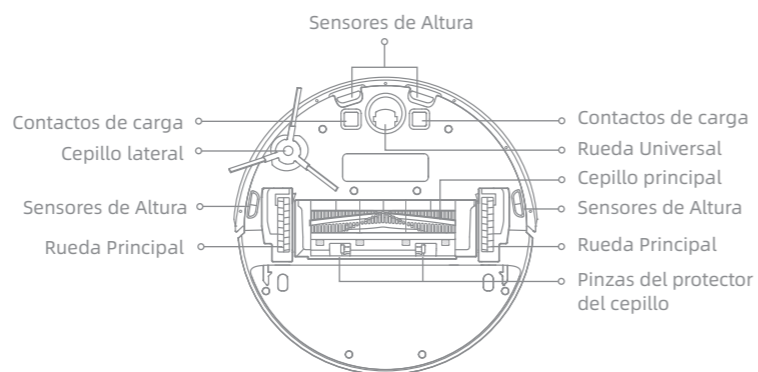
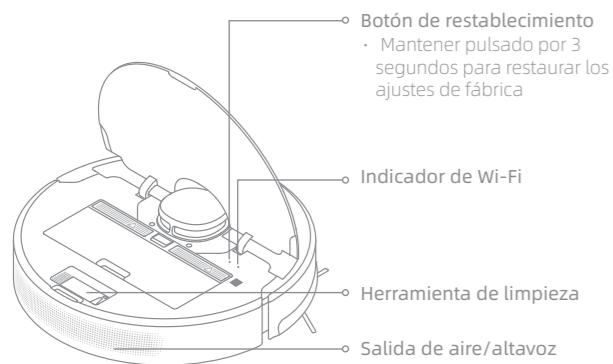
Puerto de carga

Robot

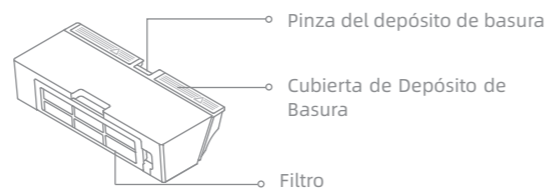


- Botón de encendido/limpieza
 - Mantenga pulsado durante 3 segundos para encender o apagar
 - Presione brevemente para que el robot comience a limpiar después de encenderse
- Botón de Limpieza de Base/Mancha
 - Pulsar para enviar el robot de vuelta a la base de carga
 - Mantenga presionado durante 3 segundos para iniciar el modo de limpieza de mancha
- Indicador de estado
 - Blanco: Limpiando o limpieza completada
 - Naranja intermitente: Error
 - Respiración Blanca: El robot se está cargando cuando la batería no está baja
- Cubierta

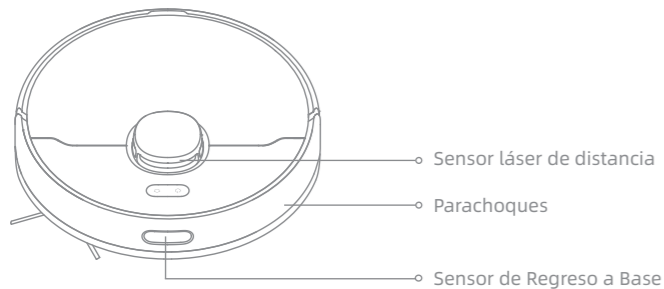
Robot



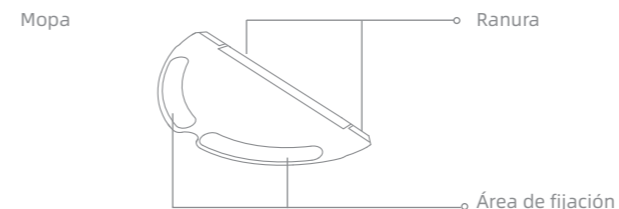
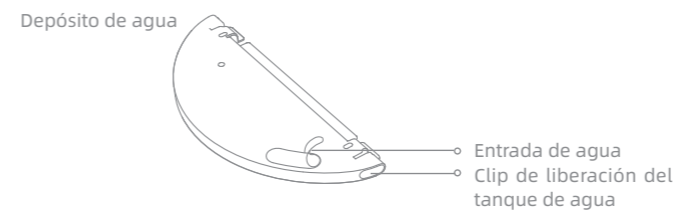
Depósito de polvo



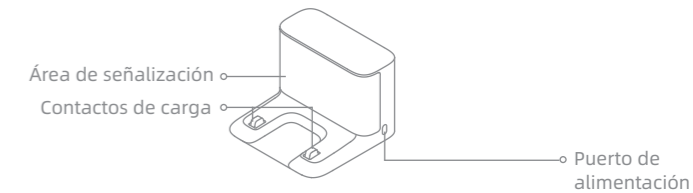
Sensores del robot



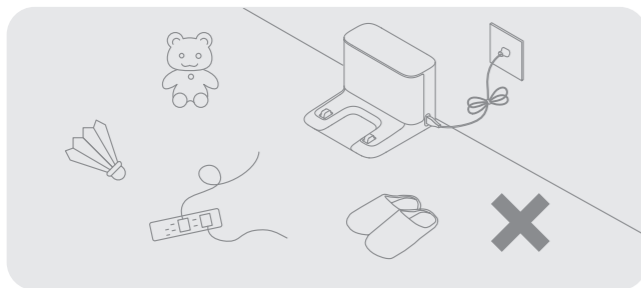
Módulo de fregado



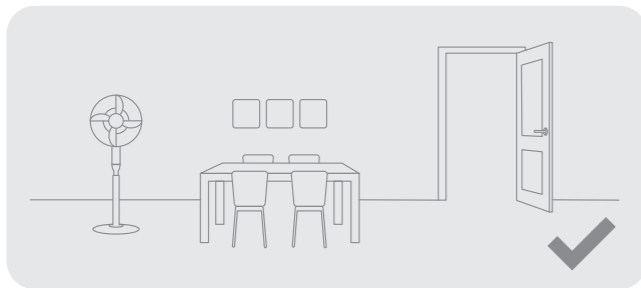
Puerto de carga



Preparando Su Hogar

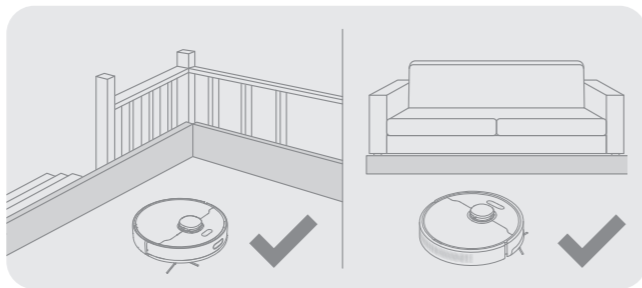


Ordene elementos como cables de alimentación, ropa, zapatillas y juguetes para mejorar la eficiencia del robot.

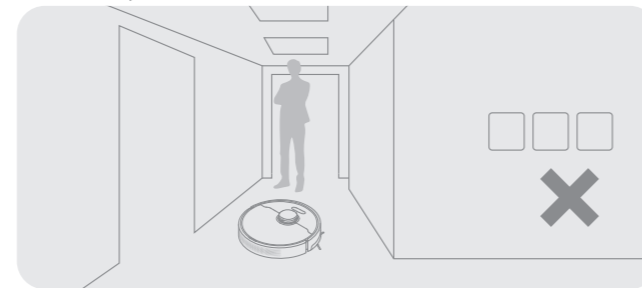


Abra la puerta de la habitación que va a limpiar y coloque los muebles en el lugar apropiado para hacer más espacio.

Nota: Cuando utilice el robot por primera vez, sígalo mientras realiza limpieza para quitar cualquier obstáculo potencial de inmediato.



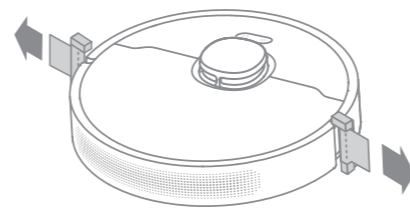
Antes de que empiece a limpiar, utilice la barrera física en el borde de las escaleras y el sofá para garantizar un funcionamiento seguro y fluido del aspirador robot.



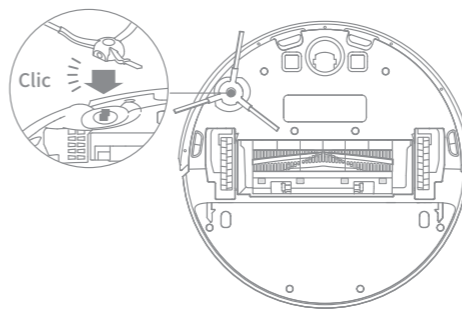
Para evitar que el robot no reconozca el área a limpiar, no permanezca de pie delante del robot, en el umbral, el pasillo o lugares estrechos.

Antes de Usar

1. Quite las tiras protectoras



2. Instale el cepillo lateral

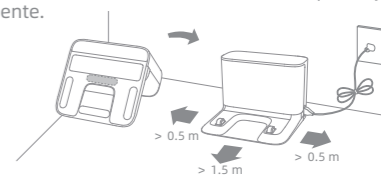


Nota: Instale el cepillo lateral hasta que encaje en su lugar.

3. Configurar la base de carga

Despegue la cinta de doble faz en la parte inferior de la base de carga, luego coloque la base en un suelo nivelado contra la pared y conéctela a una toma de corriente.

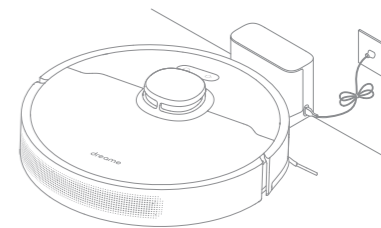
Coloque la base en buena cobertura de Wi-Fi



Nota:

- Asegúrese de que haya una distancia de 0,5 metros o más por cada lado del puerto de carga, y más de 1,5 metros enfrente.
- No coloque el puerto de carga en una zona con luz solar directa o donde objetos puedan bloquear la zona de señal, ya que podría afectar al retorno del robot al puerto de carga.
- Limpie el área del piso donde se colocará la base de carga con un trapo seco.
- El uso de la cinta de doble faz depende de su necesidad.
- Si es necesario, quite la cinta de doble faz lentamente para reducir los residuos adhesivos.

4. Coloque el robot en la base de carga para recargar la batería



Nota:

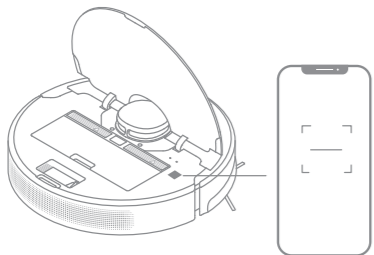
- Cargue por completo antes del primer uso.
- No mueva la base de carga mientras el robot está limpiando.

Conecte con la aplicación Dreamehome

Este producto funciona con la aplicación Dreamehome, que puede utilizarse para controlar su dispositivo.

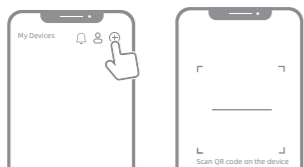
1. Descarga la aplicación Dreamehome

Escanee el código QR en el robot o busque "Dreamehome" en la tienda de aplicaciones para descargar e instalar la aplicación según sus necesidades.



2. Añadir dispositivo

Abra Dreamehome, toque "⊕" en la esquina superior derecha y escanee el código QR de arriba nuevamente para agregar "DreameBot D10s". Siga las indicaciones para completar la conexión Wi-Fi.

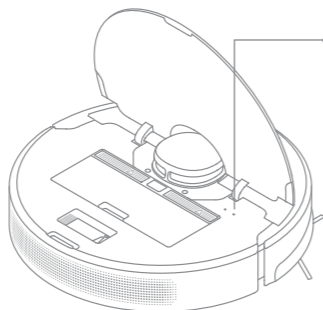


Nota:

- Solo admite Wi-Fi de 2,4 GHz.
- El software de la aplicación se está actualizando, las operaciones actuales pueden ser diferentes de las instrucciones en este manual. Siga las instrucciones basadas en la versión más nueva de la aplicación.

3. Restablecer Wi-Fi

Mantenga pulsados al mismo tiempo los botones y hasta que escuche: «Esperando configuración de red». Cuando el indicador parpadee lentamente, el Wi-Fi se habrá restablecido correctamente.



- Indicador de Wi-Fi
- Parpadea lentamente: Esperando conexión
 - Parpadea rápidamente: Conectando
 - Encendida: Conectado

Nota: Cuando el teléfono no se conecte correctamente al robot, reinicie el Wi-Fi y añada de nuevo el dispositivo.

Modo de uso

1. Mapeo Rápido

Después de configurar la red por primera vez, siga las instrucciones de la aplicación para crear rápidamente un mapa y el robot comenzará a mapear sin limpiar. El proceso de mapeo se completará cuando el robot regrese a la base de carga y el mapa se guardará automáticamente.

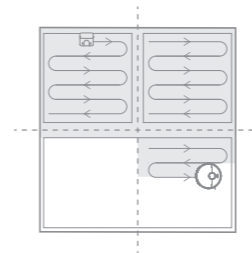
2. Encender/apagar

Mantenga presionado el botón durante 3 segundos para encender el robot, y el indicador de encendido lucirá permanentemente. Coloque el robot en la base de carga, el robot debe encenderse automáticamente y comenzar a cargarse. Para apagar el robot, aleje el robot de la base y mantenga presionado el botón durante 3 segundos.

3. Comenzar Limpieza

Presione el botón brevemente para comenzar la limpieza después de encender el robot.

A continuación, el robot generará con precisión una ruta, limpiará metódicamente a lo largo de los bordes y las paredes, y luego terminará limpiando cada habitación en un patrón en forma de S para garantizar una limpieza minuciosa.



4. Modo de limpieza

En la aplicación hay cuatro modos de limpieza disponibles: Silencioso, Estándar, Fuerte y Turbo. El modo predeterminado es el estándar.

5. Pausa / Dormir

Cuando el robot esté funcionando, presione cualquier botón para pausarlo. Si el robot se encuentra en pausa durante más de 10 minutos, entra automáticamente en modo de suspensión. Todos los indicadores del robot se apagarán. Apriete cualquier botón en el robot o utilice la aplicación para despertarlo.

Nota:

- El robot se apagará automáticamente si se mantiene en modo Suspensión durante más de 12 horas.
- Cuando el robot esté parado, colocarlo en la base de carga finalizará la tarea de limpieza actual.

6. Limpieza Localizada

Cuando el robot con mopa esté en modo de espera o en pausa, mantenga pulsado el botón durante 3 segundos para activar el modo Limpieza de manchas. En este modo, se limpiará una zona cuadrada de 1,5 x 1,5 metros alrededor del robot. Cuando termine la limpieza de las manchas, el robot regresará automáticamente a su ubicación original y se apagará.

Nota: Activar el modo Limpieza de manchas finalizará la tarea de limpieza actual.

7. Modo No Molestar (DND)

Cuando el robot se encuentra en el modo No Molestar (DND), se prohibirá que el robot reanude la limpieza, y el indicador de encendido se apagará. El modo DND está deshabilitado de forma predeterminada en la fábrica. Puede utilizar la aplicación para habilitar el modo DND o modificar el período DND. El período DND es de 22:00 a 8:00 de forma predeterminada.

Nota:

- Las tareas de limpieza programadas se realizarán a tiempo durante el período DND.
- El robot reanudará la limpieza no finalizada después de que expire el período DND.

8. Limpieza programada

Puede programar la hora de la limpieza en la aplicación Dreamehome. El robot empezará automáticamente la limpieza en el momento indicado y luego volverá a la base de carga una vez terminada la limpieza.

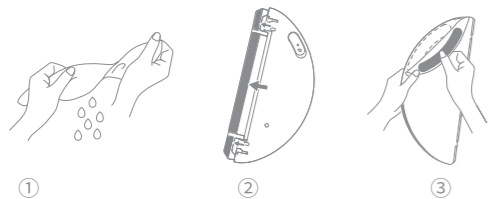
9. Más Funciones de la Aplicación

Siga las instrucciones de la interfaz de la aplicación para usar más funciones. Puede que se haya actualizado la versión de la aplicación, siga las instrucciones de acuerdo con la versión actual.

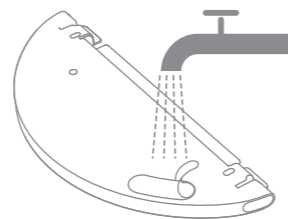
10. Usar la función de fregado

Se recomienda aspirar todos los suelos al menos tres veces antes de la primera sesión de fregado para obtener un mejor resultado de limpieza.

1) Humedezca la almohadilla trapeadora y exprima el agua excesiva. Instale la mopa como se muestra en el diagrama.

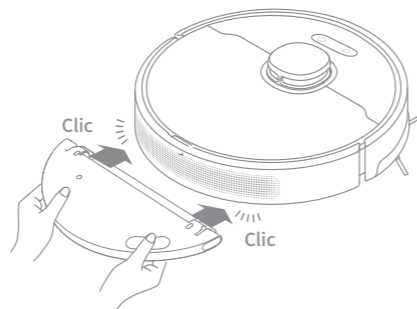


2) Llene el tanque con agua.



Nota: No utilice detergentes ni desinfectantes.

3) Inserte el módulo de fregado en paralelo, como indica la flecha, y deslícelo en la parte trasera del robot hasta que encaje. Pulse el botón , o puede utilizar la aplicación Dreamehome para empezar la limpieza.



Nota:

- No se recomienda usar la función de fregado en alfombras.
- Use la aplicación para ajustar el flujo de agua.

Mantenimiento rutinario

Para mantener el robot en buenas condiciones, se recomienda consultar la siguiente tabla para conocer el mantenimiento de rutina.

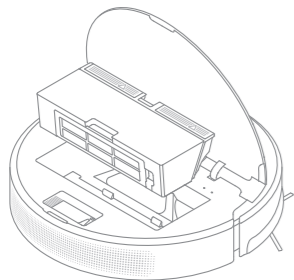
Piezas	Frecuencia de Mantenimiento	Frecuencia de Reemplazo
Almohadilla Trapeadora	Después de cada uso	Cada 3 a 6 meses
Cepillo principal	Una vez cada 2 semanas	Cada 6 a 12 meses
Filtro de Depósito de Polvo		Cada 3 a 6 meses
Cepillo lateral		
Zona de señalización de la base de carga	Una vez al mes	/
Contactos de carga		
Rueda Universal		
Sensor láser de distancia		
Sensores de Altura		
Depósito de agua	Límpielo cuando sea necesario	/
Depósito de polvo		

Nota: La frecuencia de reemplazo dependerá de su uso del robot. Si ocurre una excepción debido a circunstancias especiales, las piezas deben ser reemplazadas.

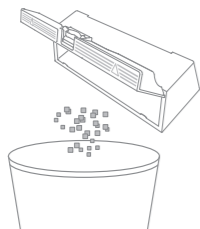
Mantenimiento rutinario

Contenedor de polvo y filtro

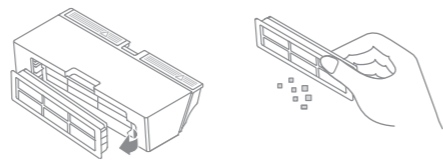
1. Abra la cubierta del robot y presione la hebilla del depósito de basura para retirar el depósito.



2. Abra la cubierta del depósito y vacíelo como se muestra en el diagrama.



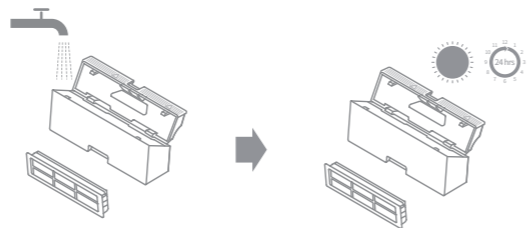
3. Retire el filtro y golpee suavemente su canasta.



Nota:

- No intente limpiar el filtro con cepillo, dedo u objetos afilados para evitar daños.

4. Enjuague el depósito de polvo y el filtro con agua y séquelos completamente antes de volver a instalarlos.



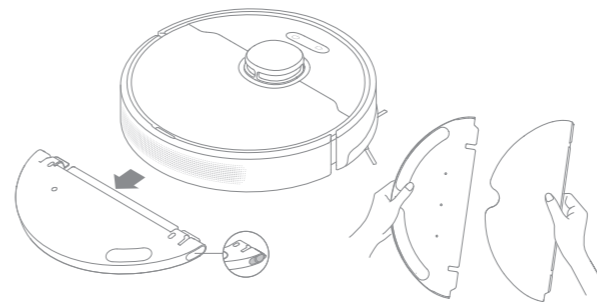
Nota:

- Enjuague el depósito de basura y el filtro únicamente con agua limpia, no utilice detergente.
- Utilice el depósito de basura y el filtro sólo cuando están completamente secos.

Mantenimiento rutinario

Limpiar el módulo de limpieza

1. Deslice las dos hebillas de liberación en el costado del tanque de agua para quitar el módulo de trapeado y luego saque la mopa del módulo de trapeado.

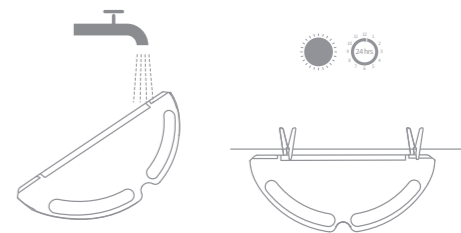


2. Vacíe el agua del tanque de agua. Limpie sólo con agua y deje secar al aire antes de volver a instalar.



Nota: No exponga el tanque directamente al sol.

3. Limpie la mopa sólo con agua y deje secar al aire antes de volver a instalar.



Nota:

- Extraiga la mopa del módulo de fregado antes de limpiarla. Asegúrese de que el agua sucia no vuelva a entrar por la salida de agua para que no se obstruya.

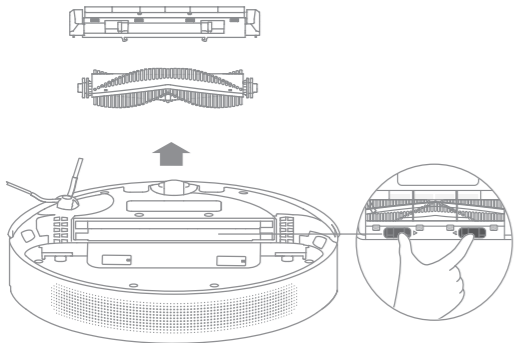
4. Si el flujo de agua es lento, o el volumen no está bien distribuido, limpie el orificio ventilador de la tapa del tanque de agua.



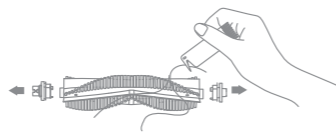
Mantenimiento rutinario

Limpiar el cepillo principal

1. Presione las hebillas del protector del cepillo hacia adentro para quitar el protector del cepillo y sacar el cepillo del robot.



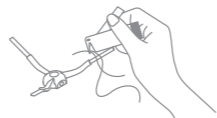
2. Retire la tapa de cepillo como se muestra en el diagrama. Utilice la herramienta de limpieza provista para eliminar los pelos enredados en el cepillo.



Nota: Si hay una gran cantidad de cabello o este está muy enredado, retírelo cuidadosamente para evitar dañar el cepillo principal.

Limpiar el cepillo lateral

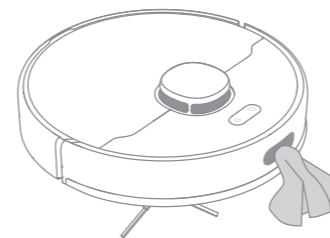
Saque el cepillo lateral y utilice la herramienta de limpieza incluida para quitar los pelos enredados en el cepillo.



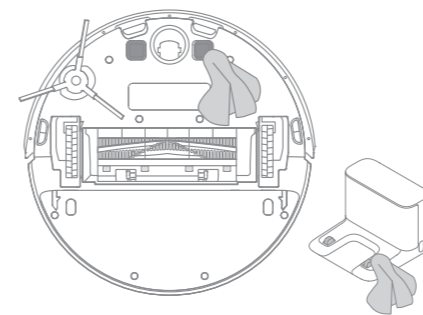
Mantenimiento rutinario

Nota: Use un paño de cocina seco para limpiar, ya que el robot y la base de carga interna tienen elementos sensibles. No use un paño húmedo para evitar daños provocados por el agua.

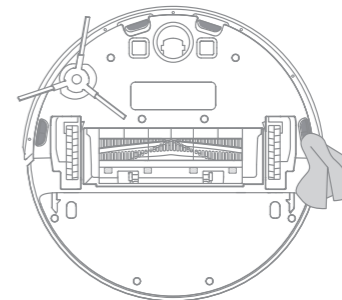
Limpiar el Sensor de Retorno a Base





Limpiar los contactos de carga



Limpiar el Sensor de Altura



Reinicio de Robots

Si el robot deja de responder o no se puede apagar, mantenga presionado el botón  durante 10 segundos para forzarlo a apagarse. Luego, mantenga presionado el botón  durante 3 segundos para encender el robot.

Batería

El robot contiene una batería de iones de litio de alto rendimiento. Asegúrese de que permanezca bien cargada durante el uso diario para que mantenga un rendimiento óptimo. Si el robot no se utiliza durante un largo periodo de tiempo, apáguelo y guárdelo. Para evitar daños por descarga, debería recargar el robot una vez cada tres meses.

Indicador de estado

La siguiente tabla enumera las posibles causas y soluciones en términos de diferentes estados de luz. Para obtener más ayuda, consulte la sección "Preguntas Frecuentes" de este manual.

Estado de luz	Causa posible	Solución
Apagado	Sin fuente de alimentación	Verifique y asegúrese de que la fuente de alimentación de la base de carga esté normal.
	El robot está en modo No Molestar El robot está con carga completa y en modo Suspensión	/
Blanco	El robot no está en la base de carga	/
Blanco Respirado	El robot se está cargando	/
Naranja intermitente	Error	Compruebe si el depósito de polvo del robot está instalado. Para otros errores, comuníquese con técnicos calificados o con el servicio posventa.

Preguntas frecuentes

Problema	Solución
El robot no se enciende	El nivel de la batería es bajo. Recargue el robot en la base de carga y pruebe de nuevo.
El robot no se recarga	La base de carga no está recibiendo energía. Por favor, confirme que ambos extremos del cable de alimentación están conectados correctamente. Fallo de contacto. Limpie el contacto de carga de la base de carga y el robot.
El robot no vuelve a la base de carga	Hay demasiados obstáculos alrededor de la base de carga. Coloque la base de carga en una zona más abierta y libre de obstáculos. Por favor, limpie el área de emisión de señal de la base de carga.
El robot no funciona adecuadamente.	Apague el robot y vuelva a encenderlo.
El robot hace un ruido extraño	Un objeto extraño puede estar obstruyendo el cepillo principal, el cepillo lateral o alguna de las ruedas principales. Apague el robot y elimine la basura acumulada.
El robot no limpia de forma correcta o deja basura a su paso	El depósito de basura está lleno. Por favor, vacíelo. El filtro está bloqueado. Por favor, límpielo. Un objeto extraño está obstruyendo el cepillo principal. Por favor, límpielo.
El robot no se conecta al Wi-Fi	Hay algún problema con la conexión Wi-Fi. Reinicie el Wi-Fi, descargue la última versión de Dreamehome APP, e intente conectarlo de nuevo. El permiso de ubicación no está activado. Asegúrese de activar el permiso de ubicación en la aplicación Dreamehome. La señal Wi-Fi es débil. Asegúrese de que el robot se encuentra en una zona con una buena señal de Wi-Fi. No admite Wi-Fi de 5GHz. Asegúrese de conectar su robot a una red Wi-Fi de 2,4GHz. Nombre de usuario o contraseña del Wi-Fi incorrectos. Asegúrese de introducir el nombre de usuario y la contraseña correctos.

Problema	Solución
El robot no realiza la limpieza programada.	El robot tiene la batería baja. La limpieza programada no comenzará si el robot no tiene al menos un 15% de batería restante.
Dejar el robot en la base de carga una vez que está completamente cargado consume energía?	Dejar el robot en la base de carga tras haber completado la carga de la batería consume muy poca electricidad y ayuda a mantener un funcionamiento óptimo de la batería.
No sale agua del depósito de agua, o solo sale un poco.	Compruebe que el depósito de agua está lleno de agua y limpie la mopa si es necesario. Limpie la mopa si está sucia. Compruebe que la mopa está colocada correctamente, de acuerdo con el manual. Limpie el orificio del tanque de agua.
El robot no reanuda la limpieza a pesar de que tiene batería suficiente.	Compruebe que el robot no se encuentre en modo No Molestar. El robot no reanuda la limpieza cuando es recargado manualmente o colocado en la base de carga.
El robot no vuelve a la base de carga después de ser movido.	Mover el robot puede hacer que se reubique o vuelva a mapear sus alrededores. Si el robot está demasiado lejos de la base de carga, puede que no sea capaz de volver automáticamente por sí mismo, en cuyo caso es necesario colocar manualmente el robot en el puerto de carga.

Para servicios adicionales, póngase en contacto con nosotros a través de aftersales@dreame.tech

Sitio web: <https://global.dreametech.com>

Robot

Modelo	RLS3L
Tiempo de carga	Aprox.6 horas
Tensión nominal	14,4 V ---
Potencia nominal	46 W
Frecuencia de operació	2400-2483,5 MHz
Potencia máxima de salida	< 20 dBm

Puerto de carga

Modelo	RCS0
Entrada nominal	100-240 V ~ 50/60 Hz 0,5 A
Salida nominal	19,8 V --- 1 A

En condiciones normales de uso, este equipo debe mantenerse a una distancia de, al menos, 20 cm entre la antena y el cuerpo del usuario.

Extracción y Eliminación de Batería

La batería de iones de litio incorporada contiene sustancias que son peligrosas para el medio ambiente. Antes de desechar la batería, asegúrese de sean retiradas por técnicos calificados y que la deseche en una instalación de reciclaje adecuada.

- se debe quitar la batería del aparato antes de desecharlo;
- el aparato debe estar desconectado de la red de alimentación cuando se quita la batería;
- la batería debe desecharse de forma segura.

PRECAUCIÓN:

Antes de quitar la batería, desconecte la alimentación y agote la batería tanto como sea posible.

Las baterías quitadas deben desecharse en una instalación de reciclaje adecuada.

No las exponga a alta temperatura para evitar riesgos de explosión.

En condiciones ásperas, es posible que gotee líquido de la batería. Si ocurre contacto, enjuague con agua y busque ayuda médica.

Guía de Extracción

1. Voltee el robot, utilice una herramienta adecuada para quitar los tornillos en la parte posterior del robot y luego quite la tapa.
2. Desconecte los terminales entre la batería y la placa PCB para quitar la batería.

Información sobre RAEE



Todos los productos que llevan este símbolo son residuos de aparatos eléctricos y electrónicos (RAEE según la directiva 2012/19/UE) que no deben mezclarse con residuos domésticos sin clasificar. En su lugar, debe proteger la salud humana y el medio ambiente entregando sus equipos de desecho a un punto de recogida para el reciclaje de residuos de equipos eléctricos y electrónicos, designado por el gobierno o las autoridades locales. La eliminación y el reciclado correctos ayudarán a evitar posibles consecuencias negativas para el medio ambiente y la salud humana. Póngase en contacto con el instalador o con las autoridades locales para obtener más información sobre la ubicación y las condiciones de dichos puntos de recogida.

Информация по технике безопасности

Чтобы избежать поражения током, возгорания или травм, вызванных некорректным использованием прибора, перед началом работы внимательно прочтите инструкцию по эксплуатации. Сохраните ее для дальнейшего использования в качестве справки.

Ограничения на эксплуатацию

- Не допускается использование этого изделия детьми младше 8 лет, а также лицами с ограниченными физическими, сенсорными или умственными способностями или с ограниченным опытом или знаниями без присмотра родителя или опекуна для обеспечения безопасной эксплуатации и во избежание рисков. Не позволяйте детям осуществлять чистку и техническое обслуживание устройства без присмотра.
- Детям не следует играть с этим устройством. Убедитесь, что дети и животные находятся на безопасном расстоянии от робота во время работы.
- Это устройство предназначено только для очистки пола в домашних условиях. Не используйте его на открытом воздухе, на поверхностях без пола, а также в коммерческих или промышленных условиях.
- Если шнур питания поврежден или сломан, немедленно прекратите его использование и обратитесь в службу послепродажного обслуживания.
- Не используйте робот в областях, расположенных над полом, без защитного барьера.
- Запрещается переворачивать робота. Запрещается перемещать робота за крышку лазерного датчика расстояния, крышку робота или

Ограничения на эксплуатацию

- амортизатор.
- Не используйте робот в средах с температурой окружающей среды выше 40°C или ниже 0°C, а также на полу с жидкостями или липкими веществами.
- Уберите с пола провода перед использованием робота, чтобы он не тянул их во время уборки.
- Уберите с пола хрупкие и мелкие предметы, чтобы робот не врезался в них и не повредил.
- Во избежание повреждения или нарушения работы устройства из-за волочения предметов перед его включением соберите все посторонние предметы с пола, а также уберите провода и кабели питания с пути движения устройства во время уборки.
- Не допускайте попадания волос, пальцев и других частей тела во всасывающее отверстие робота.
- Храните инструмент для чистки щетки в недоступном для детей месте.
- Не размещайте на роботе детей, животных и какие-либо предметы, независимо от того остановлен он или движется.
- Не используйте робот для уборки любых горящих веществ. Запрещается использовать робот для уборки воспламеняющихся или горючих жидкостей, агрессивных газов, неразбавленных кислот или растворителей.
- Не используйте робот для уборки твердых и острых предметов.

Ограничения на эксплуатацию

- Запрещается использовать прибор для уборки камней, крупных кусков бумаги и других предметов, которые могут застрять в приборе.
- Перед очисткой и техническим обслуживанием убедитесь, что робот выключен и док-станция для зарядки отсоединена от источника питания.
- Запрещается протирать робот и зарядную док-станцию влажным полотенцем или промывать жидкостью. Моющиеся элементы необходимо полностью просушить перед установкой на место и дальнейшим использованием.
- Перед транспортировкой убедитесь, что робот выключен, и по возможности храните его в оригинальной упаковке.
- Используйте это устройство согласно руководству пользователя. Пользователи несут ответственность за убытки и ущерб, возникшие из-за несоблюдения инструкций.

Аккумулятор и зарядка

- Не используйте сторонний аккумулятор, зарядное устройство или док-станцию для зарядки. Используйте только с блоком питания RCS0.
- Не разбирайте, не ремонтируйте и не модифицируйте аккумулятор или док-станцию для зарядки самостоятельно.
- Не размещайте док-станцию для зарядки рядом с источником тепла.
- Не вытирайте и не очищайте зарядные контакты влажной тканью или влажными руками.

Аккумулятор и зарядка

- Не утилизируйте старые аккумуляторы ненадлежащим образом. Ненужные аккумуляторы следует сдавать в соответствующие пункты переработки.
- Если робот не будет использоваться в течение длительного периода, полностью зарядите его, отключите и храните в сухом прохладном месте. Во избежание чрезмерной разрядки аккумулятора заряжайте робот не реже одного раза в 3 месяца.
- Это устройство оснащено аккумуляторным блоком, который должны заменять только квалифицированные технические специалисты или специалисты отдела послепродажного обслуживания.

Техника безопасности при использовании лазера

- Лазерный датчик этого изделия соответствует стандарту IEC 60825-1: 2014 для лазерных изделий класса 1. Во время использования избегайте прямого контакта изделия с глазами.

Меры предосторожности при хранении и транспортировке

- Продукт должен транспортироваться в упаковке. Не подвергайте продукт давлению или ударам во время транспортировки.
- Пожалуйста, избегайте сильных столкновений во время транспортировки.
- Не транспортируйте робот-пылесос при температуре выше 50 °C или ниже -20 °C.

Меры предосторожности при хранении и транспортировке

- В течение короткого периода, например одного месяца, пылесос рекомендуется хранить при температуре от -20 до 50 °C и относительной влажности 60 % ± 5 %. В течение длительного времени храните пылесос при температуре окружающей среды от 0 °C до 40 °C.
- Утилизируйте пылесос надлежащим образом. Когда его срок службы подойдет к концу, утилизируйте пылесос в соответствии с местными законами и правилами страны или региона, в котором он используется.

Правила и условия реализации: без ограничений.

Импортер продает этот продукт; информацию об импортере см. на упаковке. Сведения об импортере и контактная информация отдела послепродажного обслуживания указаны на упаковке.

Дата изготовления: см. на упаковке

Срок службы продукции 3 лет.

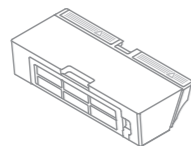
Описание изделия

Аксессуары

Предустановленные аксессуары



Основная щетка

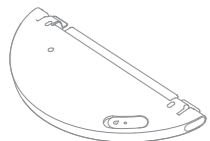


Контейнер для пыли



Чистящий инструмент

Другие аксессуары



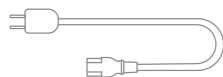
Водяной бак



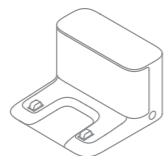
Швабра



Боковая щетка



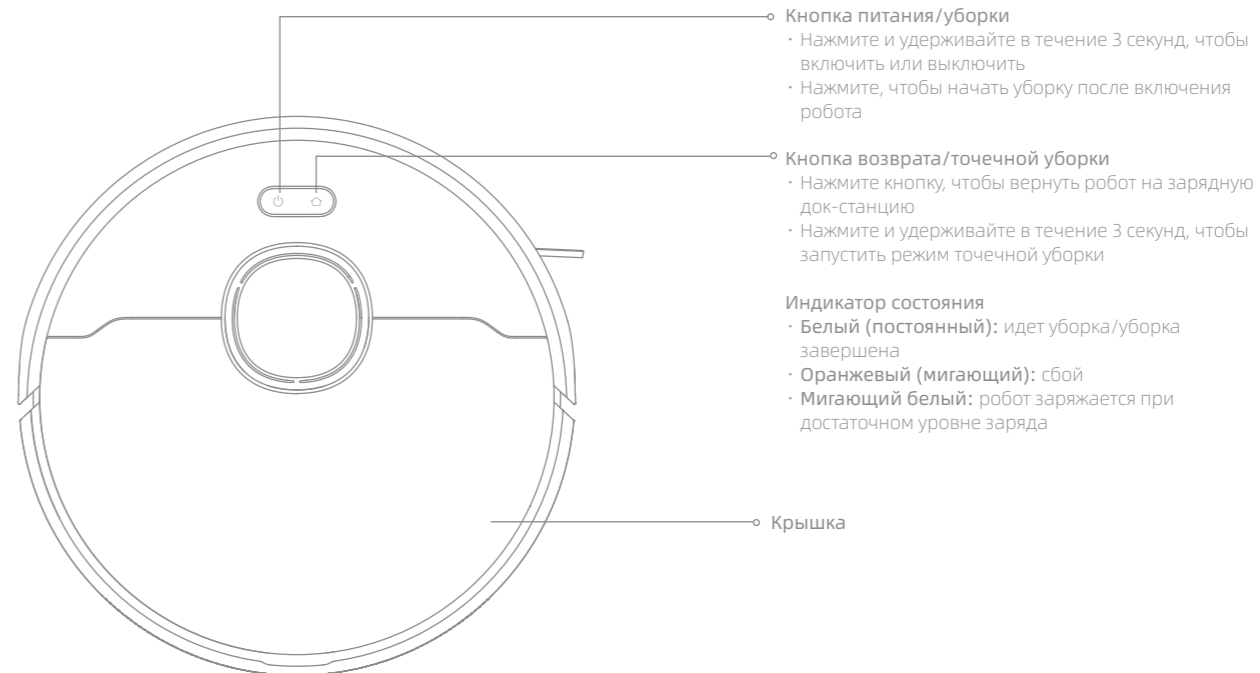
Кабель питания



Зарядная док-станция

Описание изделия

Робот



Кнопка питания/уборки

- Нажмите и удерживайте в течение 3 секунд, чтобы включить или выключить
- Нажмите, чтобы начать уборку после включения робота

Кнопка возврата/точечной уборки

- Нажмите кнопку, чтобы вернуть робот на зарядную док-станцию
- Нажмите и удерживайте в течение 3 секунд, чтобы запустить режим точечной уборки

Индикатор состояния

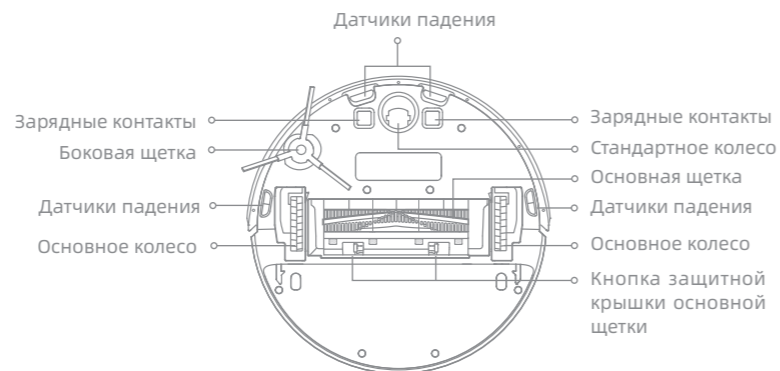
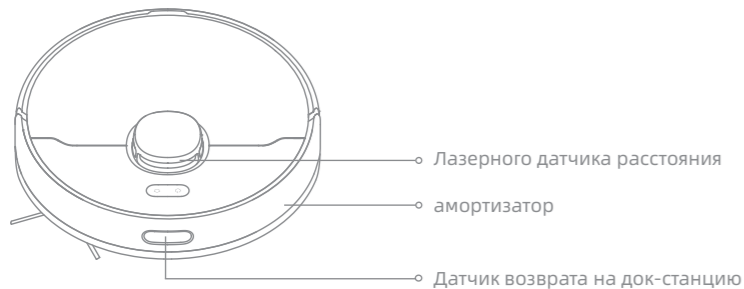
- **Белый (постоянный):** идет уборка/уборка завершена
- **Оранжевый (мигающий):** сбой
- **Мигающий белый:** робот заряжается при достаточном уровне заряда

Крышка

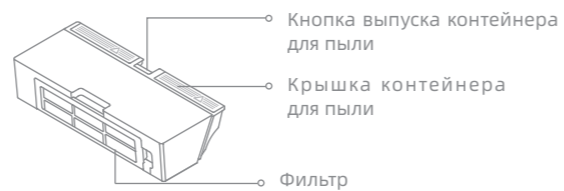
Робот



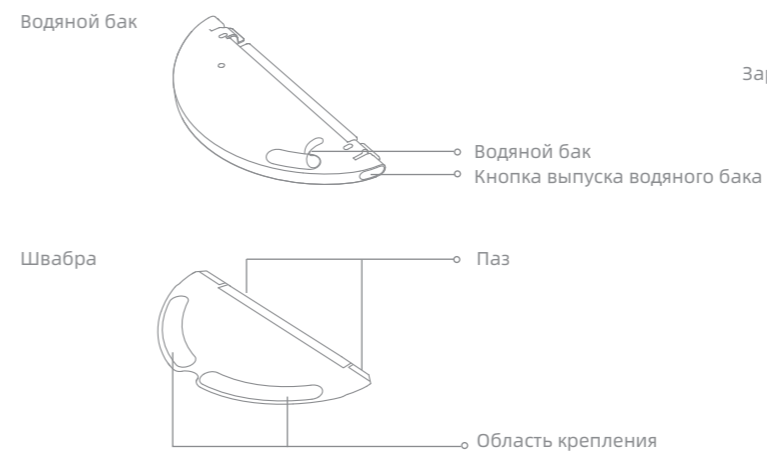
Датчики робота



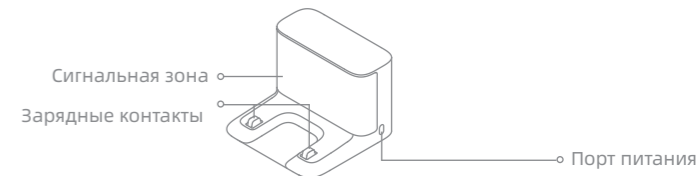
Контейнер для пыли

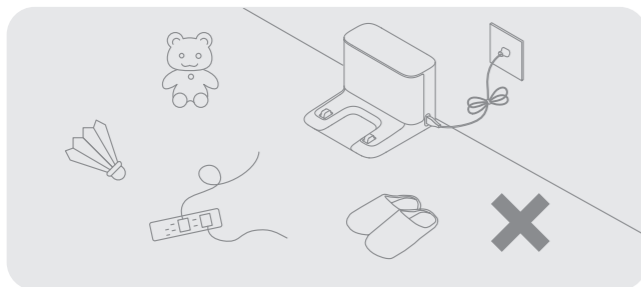


Модуль швабры

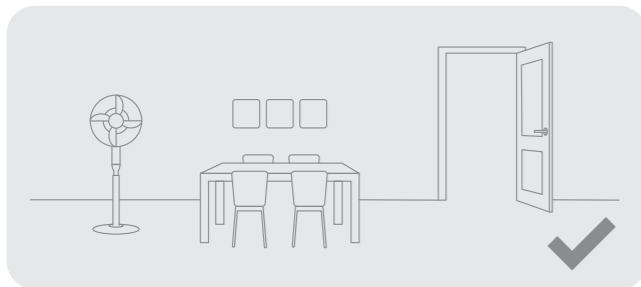


Зарядная док-станция



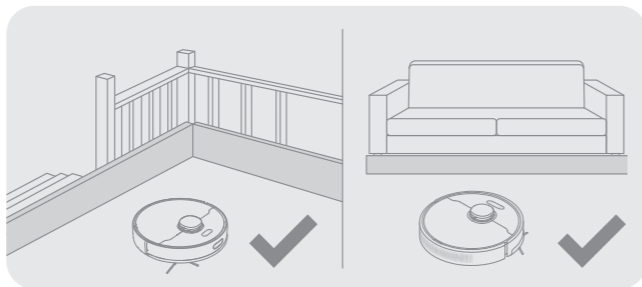


Уберите кабели питания, тканевые предметы, тапки и игрушки для повышения эффективности робота.

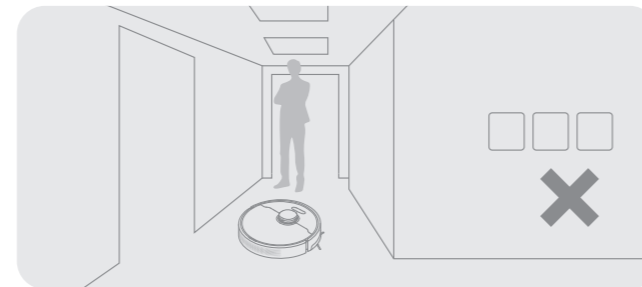


Откройте дверь помещения, в котором будет проводиться уборка, и расставьте мебель на правильные места, чтобы освободить больше пространства для уборки.

Примечание. При первом использовании робота присутствуйте во время уборки, чтобы вовремя убирать потенциальные препятствия с его пути.



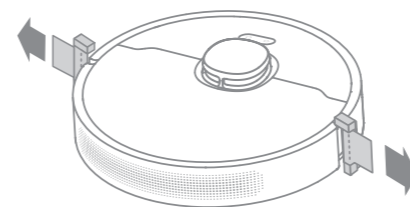
Перед уборкой установите физические барьеры у основания лестницы и рядом с диваном, чтобы обеспечить безопасность и бесперебойность работы пылесоса.



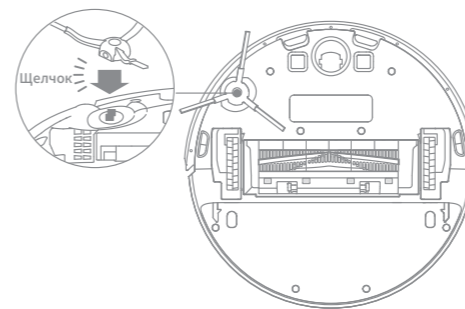
Не становитесь перед роботом, в дверном проеме и в узком проходе, чтобы робот мог корректно распознать зону предстоящей уборки.

Перед использованием

1. Удалите защитные элементы



2. Установите боковую щетку

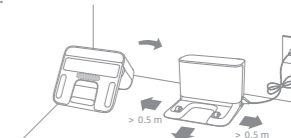


Примечание. Установите боковую щетку на место так, чтобы раздался щелчок.

3. Настройте зарядную станцию

Отклейте двустороннюю наклейку внизу зарядной док-станции, разместите док-станцию на ровной поверхности у стены и подключите ее к источнику питания.

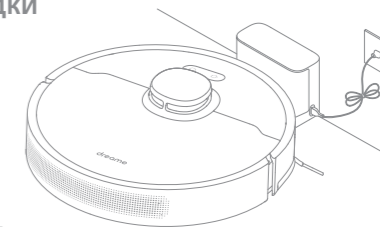
Установите базу в диапазоне действия Wi-Fi



Примечание.

- Убедитесь, что на расстоянии 0,5 метра от боковых сторон и 1,5 метра спереди док-станции отсутствуют посторонние предметы.
- Не размещайте зарядную док-станцию в местах, подверженных воздействию прямых солнечных лучей, или в зонах, отгороженных посторонними предметами, так как это может помешать роботу вернуться на зарядную док-станцию.
- Очистите сухим полотенцем область на полу перед размещением зарядной станции.
- Используйте двустороннюю клейкую ленту согласно требованию.
- При необходимости медленно удалите клейкую ленту, чтобы уменьшить клейкость поверхности.

4. Установите робот на зарядную станцию для подзарядки



Примечание.

- Перед первым использованием полностью зарядите аккумулятор.
- Не перемещайте зарядную док-станцию, пока робот выполняет уборку.

Подключение к приложению Dreamehome


Изделие использует приложение Dreamehome для управления устройством.

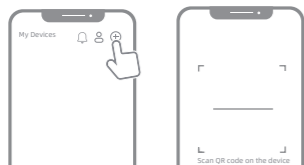
1. Загрузить приложение Dreamehome

Отсканируйте QR-код на роботе или введите в поисковой строке магазина приложений Dreamehome чтобы загрузить и установить приложение согласно требованиям.



2. Добавление устройства



Откройте приложение Dreamehome, нажмите значок  в правом верхнем углу и отсканируйте QR-код выше повторно, чтобы добавить устройство DreameBot D10s. Подключитесь к сети Wi-Fi согласно инструкциям.

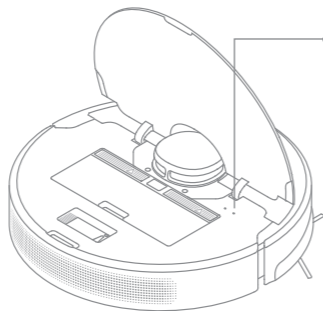


Примечание.

- Функция беспроводной сети поддерживает только Wi-Fi с частотой 2,4ГГц.
- Приложение регулярно обновляется. Фактические действия могут отличаться от указанных в данной инструкции. Следуйте инструкциям, опираясь на текущую версию приложения.

3. Сброс Wi-Fi

Откройте верхнюю крышку, чтобы появился индикатор Wi-Fi. Одновременно с этим нажмите и удерживайте кнопки "" и "", пока не услышите голосовую подсказку "Ожидание настройки сети". Как только индикатор Wi-Fi начнет медленно мигать, робот перейдет в режим подключения к сети.



Индикатор Wi-Fi

- Мигание (медленное): ожидает подключения
- Мигание (быстрое): выполняется подключение
- Горит: подключено



Примечание. Если ваш телефон не может подключиться к роботу, сбросьте настройки Wi-Fi и добавьте устройство повторно.

Руководство по эксплуатации


1. Быстрая влажная уборка

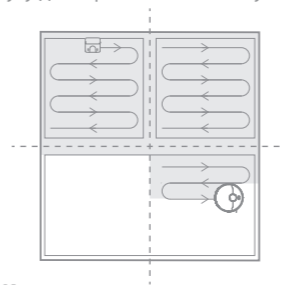
После настройки сети в первый раз создайте быструю карту, следуя инструкциям в приложении, чтобы робот мог начать построение карты, не выполняя уборку. Процесс построения карты будет завершен, когда робот вернется на зарядную док-станцию. Карта будет сохранена автоматически.

2. Включение/выключение

Нажмите и удерживайте кнопку  в течение 3 секунд, чтобы робот включился и загорелся индикатор включения. Разместите робот на зарядной док-станции, чтобы он автоматически включился и начал заряжаться. Чтобы выключить робот, уберите его со станции, нажмите и удерживайте кнопку  в течение 3 секунд.

3. Начало уборки

Коснитесь кнопки , чтобы начать уборку после включения робота. Затем робот проложит маршрут, последовательно выполнит уборку вдоль краев и стен, после чего закончит уборку каждой комнаты по S-образному маршруту для гарантии качества уборки.



4. Режим уборки

В приложении доступны четыре режима уборки: тихий, стандартный, интенсивный и турборежим. Стандартный режим установлен по умолчанию.


5. Пауза / сон

Во время работы робота нажмите на любую кнопку, чтобы приостановить его. Через 10 минут после остановки робот автоматически перейдет в спящий режим. Все индикаторы на роботе потухнут. Нажмите любую кнопку на роботе или используйте приложение, чтобы активировать робот.

Примечание.

- Если робот не находится на подзарядке, он автоматически выключится через 12 часа в режиме сна.
- В случае остановки робота поместите его на зарядную док-станцию для завершения текущей задачи уборки.

6. Точечная уборка

Если робот находится в режиме ожидания или приостановлен, нажмите и удерживайте кнопку  в течение 3 секунд, чтобы перейти в режим локальной уборки. В этом режиме робот будет убирать зону в радиусе 1,5 x 1,5 метра вокруг себя. После завершения локальной уборки робот автоматически вернется в изначальное положение и отключится.

Примечание. После активации режима локальной уборки текущая задача уборки будет завершена.

7. Режим Не беспокоить

В режиме Не беспокоить робот не сможет возобновлять уборку и индикатор питания погаснет. В заводских настройках режим Не беспокоить выключен по умолчанию. Вы можете включить режим Не беспокоить и изменить его длительность в приложении. По умолчанию для режима Не беспокоить настроен период времени с 22:00 до 8:00.

Примечание.

- Задачи уборки по расписанию будут своевременно выполняться с включенным режимом Не беспокоить.
- Робот возобновит уборку в месте остановки после окончания периода действия режима Не беспокоить.

8. Режим "Запланированная уборка"

В приложении Dreamehome доступна настройка режима "Запланированная уборка". Робот автоматически начнет уборку

Руководство по эксплуатации

в назначенное время и вернется на зарядную док-станцию после завершения уборки.

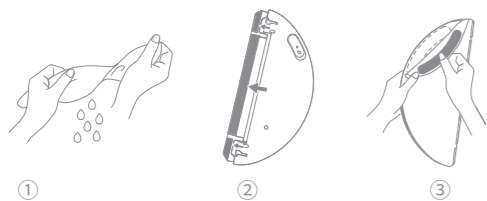
9. Больше функций приложения

Следуйте инструкциям в интерфейсе приложения, чтобы использовать больше функций. Версия приложения могла быть обновлена или частично изменена. Следуйте инструкциям для текущей версии приложения.

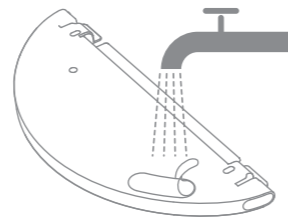
10. Функция уборки шваброй

Для достижения лучшего результата уборки рекомендуется начать использовать режим швабры после 3 применений робота.


1) Выжмите швабру и удалите остатки воды. Установите швабру, как показано на схеме.

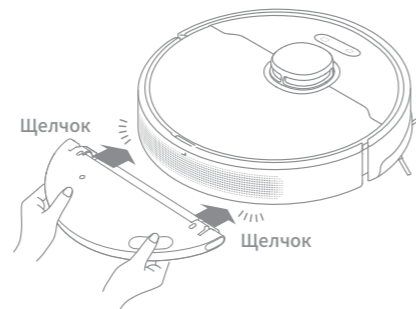


2) Заполните бак водой.



Примечание. Не используйте чистящие и дезинфицирующие средства.

3) Вставьте водяной бак ровно в задней части робота, пока не услышите щелчок. Начните уборку нажатием кнопки  или через приложение Dreamehome.



Примечание.

- Не рекомендуется использовать функцию уборки шваброй на коврах.
- По мере необходимости регулируйте подачу воды к швабре с помощью мобильного приложения.

Регулярный уход

Рекомендуется выполнять регулярное обслуживание робота согласно таблице ниже для гарантии его оптимальной работы.

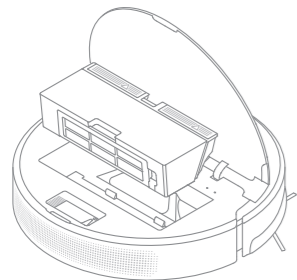
Компонент	Частота ремонта	Частота замены
Швабра	После каждого использования	Каждые 3-6 месяцев
Основная щетка	Каждые 2 недели	Каждые 6-12 месяцев
Фильтр контейнера для пыли		Каждые 3-6 месяцев
Боковая щетка		
Сигнальная зона зарядной док-станции	Каждый месяц	/
зарядные контакты		
Стандартное колесо		
Лазерного датчика расстояния		
Датчики падения		
Водяной бак	Чистите по мере необходимости	/
Контейнер для пыли		

Примечание. Частота замены зависит от способа использования робота. При возникновении особых ошибок необходимо выполнить замену компонентов.

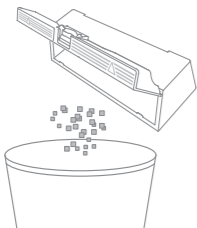
Регулярный уход

Очистка контейнера для пыли и фильтра

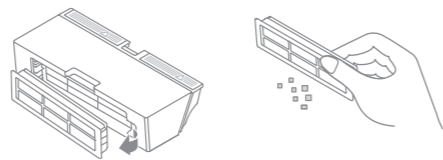
1. Откройте крышку робота и нажмите на зажим контейнера для пыли, чтобы снять контейнер для пыли.



2. Откройте крышку контейнера для пыли и очистите его, как показано на рисунке.



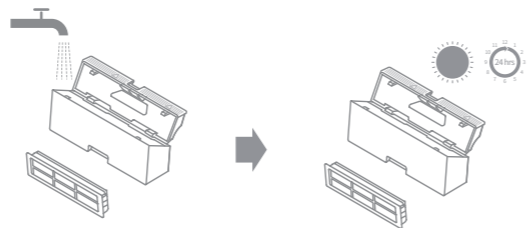
3. Снимите фильтр и слегка постучите по нему.



Примечание.

- Не пытайтесь очистить фильтр щеткой, пальцами или острыми предметами, чтобы не повредить его.

4. Промойте контейнер для пыли и фильтр водой, а затем тщательно просушите их перед установкой обратно.



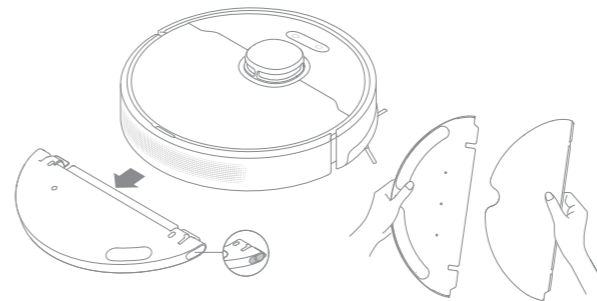
Примечание.

- Промывайте контейнер для пыли и фильтр только чистой водой. Запрещается использовать чистящее средство.
- Используйте контейнер для пыли и фильтр только после тщательной просушки.

Регулярный уход

Очистка модуля швабры

1. Переместите оба зажима на боковой стороне водяного бака, чтобы снять модуль влажной уборки, а затем снимите швабру.

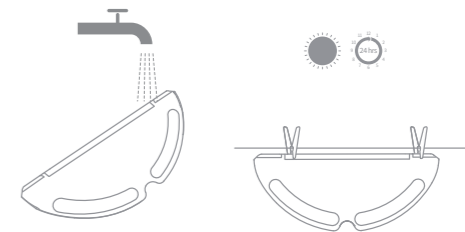


2. Слейте оставшуюся воду из водяного бака. Промойте бак водой и протрите насухо или оставьте высыхать естественным путем.



Примечание. Не подвергайте бак воздействию прямых солнечных лучей.

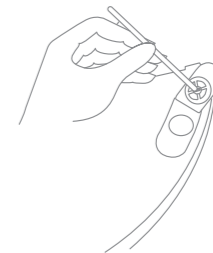
3. Промойте водой и высушите губку швабры.



Примечание.

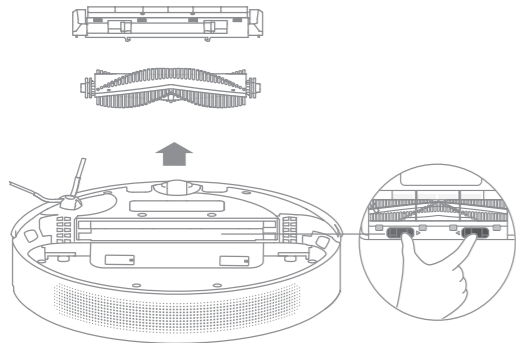
- После окончания использования извлеките губку из модуля швабры, чтобы грязная вода не вылилась обратно в бак и не засорила отверстие для ды.

4. Если поток воды слабый или вода распределяется неравномерно, очистите воздушное отверстие в верхней части крышки водяного бака.

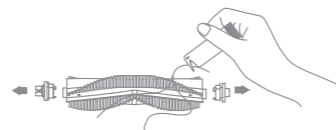


Очистка основной щетки

1. Нажмите на защитные зажимы щетки внутрь, чтобы извлечь ее защитное устройство и достать щетку из робота.



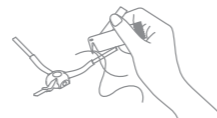
2. Снимите крышку щетки, как показано на схеме. Удалите спутавшиеся волосы с щетки с помощью чистящего инструмента в комплекте.



Примечание. Если на щетке осталось много спутанных волос, не тяните их с силой, чтобы не повредить щетку.

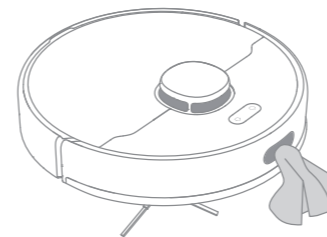
Очистка боковых щеток

Снимите боковую щетку и удалите спутавшиеся волосы со щетки с помощью чистящего инструмента в комплекте.

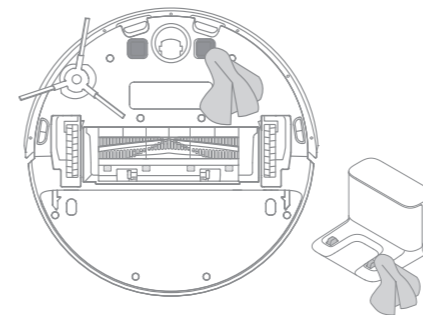


Примечание. Для очистки внутренней поверхности робота или зарядной док-станции с чувствительными электроэлементами используйте сухое полотенце. Не используйте влажное полотенце, чтобы избежать повреждений из-за воды.

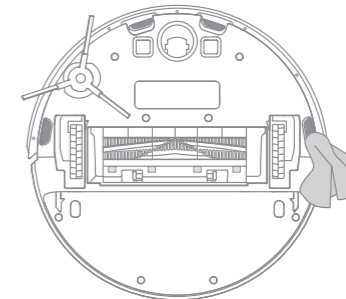
Очистить датчик возврата на док - станцию





Очистка зарядных контактов



Очистите датчик падения



Перезагрузка робота

Если робот не реагирует на команды или не выключается, нажмите и удерживайте кнопку  в течение 10 секунд для принудительного выключения робота. Затем нажмите и удерживайте кнопку  в течение 3 секунд, чтобы включить робот.

Аккумулятор

В робот встроен высокоэффективный литий-ионный аккумуляторный блок. При ежедневном использовании заряжайте аккумулятор полностью, чтобы поддерживать технические характеристики аккумулятора. Если робот не используется в течение долгого времени, отключите его и уберите на хранение. Во избежание повреждений из-за чрезмерной разрядки робот необходимо подзаряжать не реже, чем один раз в три месяца.

Индикатор состояния

В таблице ниже перечислены возможные причины и пути решения неполадок в зависимости от цвета индикатора. Для получения подробной информации см. раздел «Вопросы и ответы» (FAQ) данной инструкции.

Цвет индикатора	Возможная причина	Решение
Выкл.	Нет электропитания	Проверьте и убедитесь в наличии электропитания от зарядной док-станции.
	Робот находится в режиме Не беспокоить При полном заряде аккумулятора робот переходит в спящий режим	/
Белый (постоянный)	Робот находится вне зарядной док-станции	/
Мигающий белый	Робот заряжается	/
Оранжевый (мигающий)	Ошибка	Проверьте наличие контейнера для пыли. При других ошибках свяжитесь с техническими специалистами или сотрудниками постпродажного обслуживания.

Вопросы и ответы

Проблема	Решение
Робот не включается	Низкий уровень заряда аккумулятора. Зарядите робот на зарядной док-станции, а затем повторите попытку.
Робот не заряжается	Зарядная док-станция не подключена к источнику питания. Убедитесь, что оба конца шнура питания подключены правильно. Слабый контакт. Очистите зарядные пластины док-станции и зарядные контакты робота.
Робот не возвращается на зарядную док-станцию	Вокруг зарядной док-станции слишком много препятствий. Разместите док-станцию на открытом участке. Очистите сигнальную зону док-станции.
Сбой в работе робота	Выключите и перезапустите робот.
Посторонние звуки во время уборки	В основной и боковой щетках или в одном из основных колес мог застрять посторонний предмет. Остановите робот и удалите весь мусор.
Робот стал хуже убирать или оставляет после себя грязь	Контейнер для пыли заполнен. Очистите его. Фильтр забит. Очистите его. В основную щетку попал посторонний предмет. Уберите его.
Робот не подключается к Wi-Fi	Сбой подключения к беспроводной сети Wi-Fi. Сбросьте настройки Wi-Fi, загрузите последнюю версию приложения Dreamehome, а затем попробуйте подключиться повторно. Функция определения местоположения не открывается. Убедитесь, что в приложении Dreamehome включена функция определения местоположения. Слабый сигнал Wi-Fi. Переместите робот в зону с устойчивым сигналом Wi-Fi. Робот не поддерживает Wi-Fi с частотой 5 ГГц. Убедитесь, что ваш робот подключен к Wi-Fi 2,4 ГГц. Неверное имя пользователя или пароль домашнего Wi-Fi. Убедитесь, что имя пользователя и пароль введены правильно.

Проблема	Решение
Не работает режим "Запланированная уборка"	Уровень заряда робота низкий. Уборка по расписанию начнется только тогда, когда уровень заряда будет минимум 15%.
Если робот постоянно находится на док-станции, сколько электроэнергии он потребляет?	На док-станции робот потребляет очень мало электроэнергии, а постоянная подзарядка позволяет поддерживать технические характеристики аккумулятора.
Вода не поступает из водяного бака или ее объем недостаточный	Убедитесь, что в водяном баке есть вода. Очистите губку швабры, если она загрязнилась. Убедитесь, что губка швабры установлена правильно в соответствии с руководством по эксплуатации. Своевременно очищайте воздушное отверстие в в ерхней части крышки водяного бака.
Робот не продолжает уборку после зарядки	Убедитесь, что робот не перешел в режим "Не беспокоить", в котором он не может возобновить уборку. Робот не может продолжить уборку, если его зарядили или вернули на зарядную док-станцию вручную.
Робот не возвращается на зарядную док-станцию после изменения местоположения	После изменения местоположения робот будет заново определять свое положение. После сбоя определения местоположения робот начнет повторно генерировать карту. Если зарядная док-станция расположена слишком далеко, робот не сможет вернуться. Необходимо поместить робот на зарядную док-станцию вручную.

Для получения дополнительных услуг свяжитесь с нами по адресу aftersales@dreame.tech

Веб-сайт: <https://global.dreame.tech>

Основные параметры

Робот

Модель	RLS3L
Время зарядки	Около 6 ч
Номинальное напряжение	14,4 V ---
Номинальная мощность	46 W
Рабочая частота	2400-2483,5 MHz
Макс. выходная мощность	< 20 dBm

Зарядная док-станция

Модель	RCS0
Номинальная входная мощность	100-240 V ~ 50/60 Hz 0,5 A
Номинальная выходная мощность	19,8 V --- 1 A

При обычных условиях использования между антенной этого оборудования и телом пользователя должно сохраняться расстояние не менее 20 см.

Извлечение и утилизация аккумулятора

Встроенный литий-ионный аккумулятор содержит опасные для окружающей среды вещества. Аккумулятор должен быть извлечен квалифицированными техническими специалистами и утилизирован в приспособленном для этого месте.

- перед утилизацией аккумулятора необходимо извлечь из прибора;
- перед извлечением аккумулятора необходимо отключить прибор от источника энергии;
- аккумулятор необходимо утилизировать безопасным способом.

МЕРЫ ПРЕДОСТОРОЖНОСТИ:

Перед извлечением аккумулятора отключите прибор от источника питания и максимально израсходуйте заряд аккумулятора.

Ненужные аккумуляторы необходимо утилизировать в приспособленном для этого месте.

Запрещается оставлять изделие при высокой температуре во избежание взрывов.

В случае повреждения аккумулятора жидкость может вытечь. При соприкосновении с жидкостью промойте место контакта водой и обратитесь за медицинской помощью.

Инструкция по извлечению

1. Переверните робот, с помощью инструмента извлеките винты в задней части робота и затем снимите крышку.
2. Отсоедините провода терминалов между аккумулятором и печатной платой и извлеките аккумулятор.

Информация об утилизации и переработке отходов электрического и электронного оборудования



Все изделия с символом отдельного сбора отработанного электрического и электронного оборудования (Директива WEEE 2012/19/EU) следует утилизировать отдельно от несортируемых бытовых отходов. С целью охраны здоровья и защиты окружающей среды такое оборудование необходимо сдавать на переработку в специальные пункты приема электрического и электронного оборудования, определенные правительством или местными органами власти. Правильная утилизация и переработка помогут предотвратить возможные негативные последствия для окружающей среды и здоровья человека. Для получения информации о местонахождении и порядке приема устройств в пунктах приема обратитесь в компанию, занимающуюся установкой оборудования, или в местные органы власти.

Informacje dotyczące bezpieczeństwa

Aby uniknąć porażenia prądem, pożaru lub obrażeń ciała spowodowanych niewłaściwym użytkowaniem urządzenia, należy uważnie przeczytać instrukcję obsługi przed użyciem urządzenia i zachować ją na przyszłość.

Ograniczenia w użytkowaniu

- Z produktu nie powinny korzystać dzieci poniżej 8 roku życia ani osoby z niedostatkami fizycznymi, sensorycznymi, intelektualnymi lub ograniczonym doświadczeniem czy niewystarczającą wiedzą bez nadzoru rodzica lub opiekuna, aby zapewnić bezpieczną obsługę i uniknąć wszelkich zagrożeń. Dzieci nie powinny przeprowadzać czyszczenia i konserwacji bez nadzoru.
- Dzieci nie mogą bawić się tym produktem. Należy upewnić się, że dzieci i zwierzęta domowe przebywają w bezpiecznej odległości od odkurzacza z mopem podczas jego pracy.
- Ten produkt jest przeznaczony wyłącznie do czyszczenia podłóg w środowisku domowym. Nie należy używać go na zewnątrz, na powierzchniach innych niż podłogi oraz w pomieszczeniach komercyjnych lub przemysłowych.
- Jeśli przewód zasilający zostanie uszkodzony lub zepsuty, należy natychmiast zaprzestać jego używania i skontaktować się z działem obsługi posprzedażnej.
- Robot nie należy używać na obszarze zawieszonym nad ziemią bez uprzedniego zastosowania bariery ochronnej.
- Nie należy umieszczać robota do góry nogami. Nie należy używać pokrywy