

**EN** The word "dreame" is the abbreviation of Dreame Technology Co., Ltd. and its subsidiaries in China. It is the transliteration of the company's Chinese name " 追觅 ", which means striving for excellence in every endeavor and reflects the company's vision of continuous pursuit, exploration and search in technology.

**DE** Das Wort "dreame" ist die Abkürzung von Dreame Technology Co., Ltd und seinen Tochterunternehmen in China. Es ist die Transliteration des chinesischen Namens " 追觅 " dieser Firma, was für das Streben nach Vollendung steht und die Vision des Unternehmens widerspiegelt, nämlich im Bereich der Technologie unaufhaltsam weiterzustreben, zu erforschen und entdecken.

**FR** Dreame est l'abréviation de l'entreprise chinoise Dreame Technology Co. et ses filiales, qui est la traduction phonétique du nom chinois de l'entreprise, reflétant la vision de l'entreprise qui consiste à poursuivre, explorer et rechercher constamment les avancées technologiques.

**IT** La parola "dreame" è l'abbreviazione dell'azienda Dreame Technology Co., Ltd. e delle sue filiali in Cina. È la traslitterazione del nome cinese dell'azienda " 追觅 ", che dimostra la continua ricerca, esplorazione e visione di ricerca dell'azienda nella tecnologia.

**ES** La palabra "dreame" es la abreviatura de Dreame Technology Co., Ltd. y sus subsidiarias en China. Es la transliteración del nombre chino de "Dreame", que significa luchar por la excelencia en cada esfuerzo y refleja la visión de la compañía de continuamente buscar, explorar e investigar en tecnologías.

**RU** Dreame — сокращённое название китайской компании Dreame Technology Co., Ltd. и ее дочерних предприятий. Dreame является транслитерацией названия компании на китайском языке « 追觅 », в котором отражено корпоративное видение компании в сфере науки и технологий — непрерывный поиск, исследования и стремление к успеху.

**PL** Słowo "dreame" to skrót od Dreame Technology Co., Ltd. i spółek w Chinach. Jest to transliteracja chińskiej nazwy firmy " 追觅 " co oznacza dążenie do doskonałości w każdym przedsięwzięciu, odzwierciedlając wizję firmy, jaką jest ciągłe prowadzenie, odkrywanie i poszukiwania w nauce i technologii.

**HE** " 追觅 " Dreame הינו שמו המקוצר של החברה הסינית Dreame Technology Co., Ltd. and its subsidiaries. זהו תעתיק המבוסס על צליל השם הסיני " 追觅 " וממחיש בתוכו את חזון החברה לחפש ולדרוף באופן בלתי פוסק בתחום הטכנולוגיה.

**SA** دريم هي مؤسسة صينية ويطلق على شركة دريم للتكنولوجيا المحدودة والشركات التابعة لها، وتعكس الترجمة الصوتية للمسمى الصيني " 追觅 " رؤية الشركة للسعي المستمر والاستكشاف والبحث في التكنولوجيا.



For more support, contact us via [aftersales@dreame.tech](mailto:aftersales@dreame.tech)

Website: <https://global.dreame.tech>

Manufactured by: Dreame Trading (Tianjin) Co., Ltd.

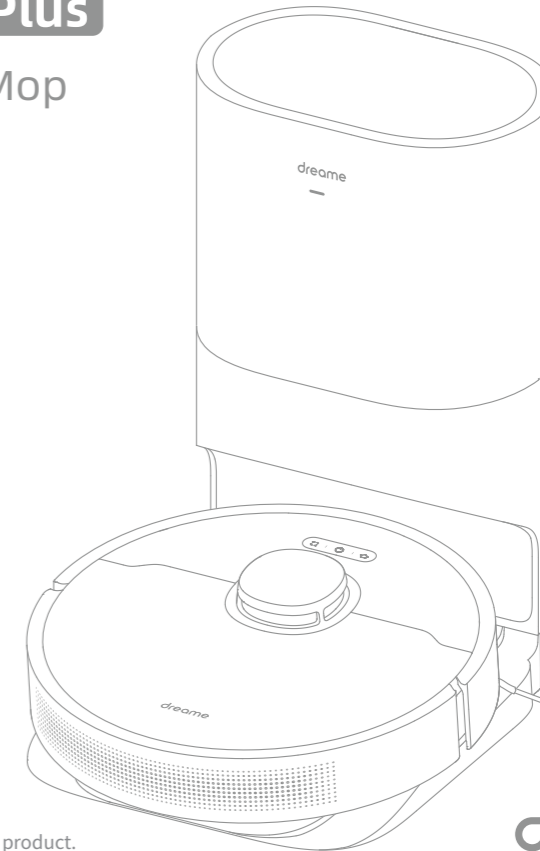
Made in China



RLS6AD-EU-A01  
12/2022

# DreameBot D10s Plus

## Auto-Empty Robot Vacuum and Mop User Manual



**dreame**

The illustrations in this manual are for reference only. Please refer to the actual product.

## Contents

<b>EN</b>	User Manual	1
<b>DE</b>	Benutzerhandbuch	26
<b>FR</b>	Manuel d'utilisation	52
<b>IT</b>	Manuale utente	77
<b>ES</b>	Manual de usuario	102
<b>RU</b>	Инструкция по эксплуатации	127
<b>PL</b>	Instrukcja obsługi	153
<b>HE</b>	מדריך למשתמש	178
<b>SA</b>	دليل الاستخدام	202

## Safety Information

To avoid electric shock, fire or injury caused by improper use of the appliance, please read the user manual carefully before using the appliance and keep it for future reference.

### Usage Restrictions

- This product should not be used by children younger than 8 years old nor persons with physical, sensory, intellectual deficiencies, or limited experience or knowledge without the supervision of a parent or guardian to ensure safe operation and to avoid any risks. Cleaning and maintenance shall not be performed by children without supervision.
- Children shall not play with this product. Ensure children and pets are kept at a safe distance from the robot while it is operating.
- If the power cord becomes damaged or broken, stop using it immediately and contact after-sales service.
- This product is for floor cleaning in a home environment only. Do not use it outdoors, on non-floor surfaces, or in a commercial or industrial setting.
- Do not use the robot in an area suspended above ground level without a protective barrier.
- Do not place the robot upside down. Do not use the LDS cover, robot cover, or bumper as a handle for the robot.
- Do not use the robot at an ambient temperature above 40° C or below 0° C or on a floor with liquids or sticky substances.
- Pick up any cables from the floor before using the robot to prevent it from dragging them while cleaning.
- Remove fragile or small items from the floor to prevent the robot from bumping into and damaging them.

## Safety Information

### Usage Restrictions

- Keep hair, fingers, and other body parts away from the suction opening of the robots.
- To prevent damage or harm from dragging, clear any loose objects from the floor and remove cables or power cords along the cleaning path before operating the appliance.
- Keep the brush cleaning tool out of reach of children.
- Do not place children, pets, or any item on top of the robot regardless of whether it is stationary or moving.
- Do not use the robot to clean any burning objects. Do not use the robot to pick up flammable or combustible liquids, corrosive gases, or undiluted acids or solvents.
- Do not vacuum hard or sharp objects. Do not use the appliance to pick up objects such as stones, large pieces of paper or any item that may clog the appliance.
- Make sure the robot is turned off and the auto-empty base is unplugged before cleaning or performing maintenance.
- Do not use a wet cloth to wipe or any liquid to rinse the robot and auto-empty base. Washable parts must be dried completely before installing and using them.
- Make sure the robot is turned off when being transported and kept in its original packaging if possible.
- Please use this product in accordance with the instructions in the User Manual. Users are responsible for any loss or damage that arise from improper use of this product.

### Batteries and Charging

- Do not use any third-party battery or auto-empty base. Use only with RCS2 supply unit.
- Do not attempt to disassemble, repair, or modify the battery or auto-empty base on your own.
- Do not place the auto-empty base near a heat source.

## Safety Information

### Batteries and Charging

- Do not use a wet cloth or wet hands to wipe or clean the base's charging contacts.
- Do not improperly dispose of old batteries. Unneeded batteries should be discarded at an appropriate recycling facility.
- If the robot will not be used for an extended period, fully charge it, then turn it off and store in a cool, dry place. Recharge the robot at least once every 3 months to avoid over-discharging the battery.
- This product contains batteries that can only be replaced by qualified technicians or after-sales service.

### Laser Safety Information

- The laser sensor in this product meets the IEC 60825-1: 2014 Standard for Class 1 laser products. Please avoid direct eye contact with it during use.

Hereby, Dreame Trading (Tianjin) Co., Ltd. declares that the radio equipment type RL56AD is in compliance with Directive 2014/53/EU. The full text of the EU declaration of conformity is available at the following internet address: <https://global.dreame.tech>  
For detailed e-manual, please go to <https://global.dreame.tech/pages/user-manuals-and-faqs>

## Product Overview

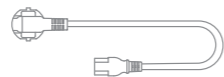
### Accessories



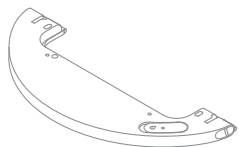
Cleaning Tool



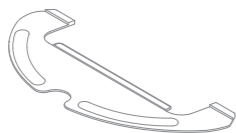
Side Brush



Power Cord



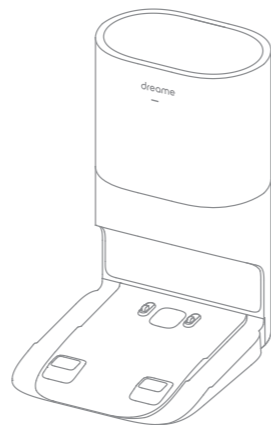
Water Tank



Mop Pad



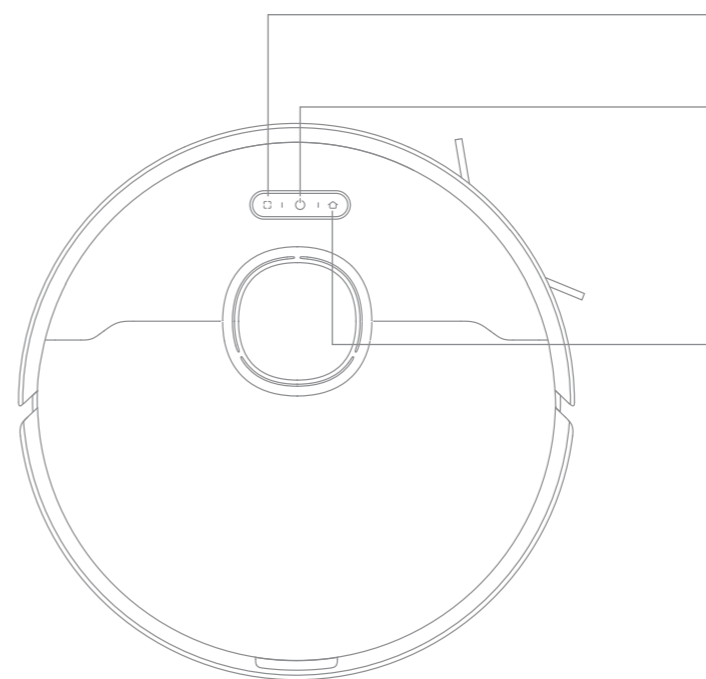
Dust Collection Bag  
(replacement)



Auto-Empty Base

## Product Overview

### Robot



- Spot Cleaning Button
  - Press briefly to start spot cleaning
- Power/Clean Button
  - Press and hold for 3 seconds to turn on or off
  - Press briefly to start cleaning after the robot is turned on

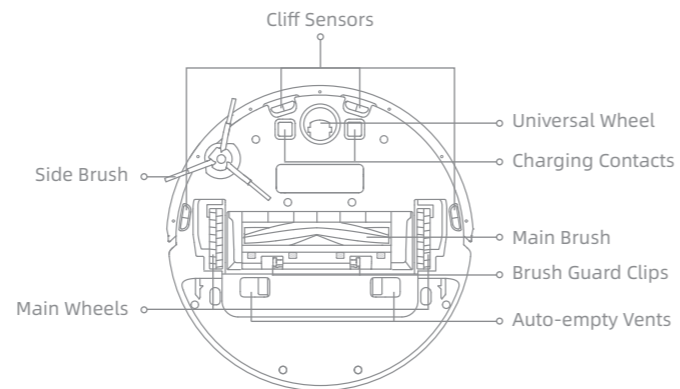
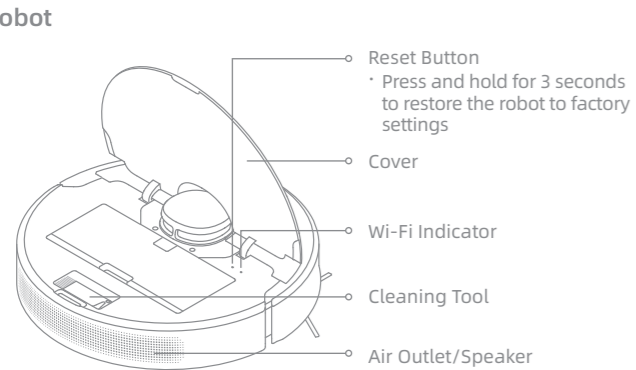
- Dock Button
  - Press to send the robot back to the base
  - Press and hold for 3 seconds to disable Child Lock

- Status Indicator
- Solid White: Cleaning or cleanup is completed
  - Blinking Orange: Error
  - Solid Blue: Camera monitoring enabled

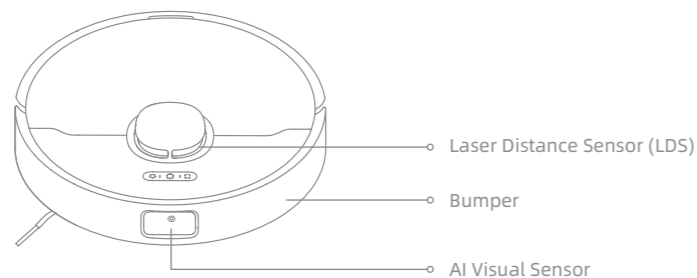


## Product Overview

### Robot

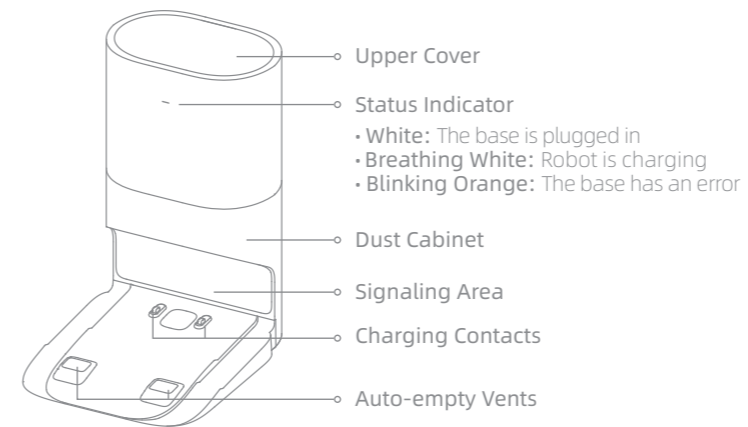


### Robot Sensors

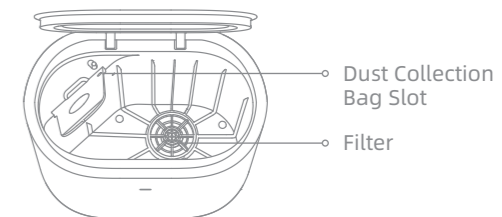


## Product Overview

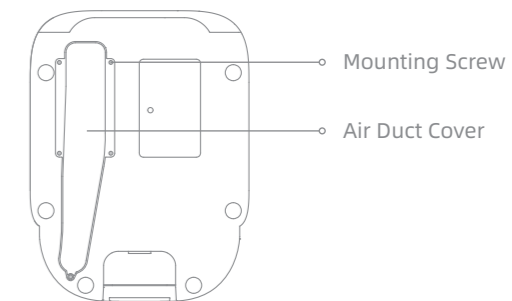
### Auto-Empty Base



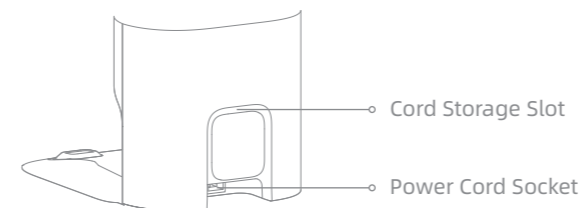
### Open the upper cover



### Bottom

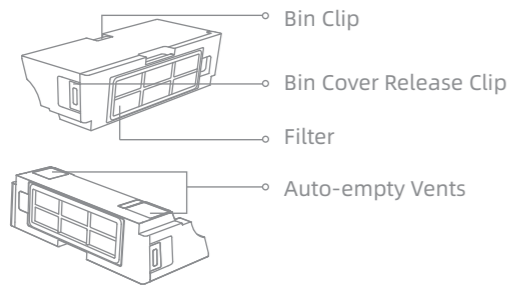


### Back



# Product Overview

## Dust Bin

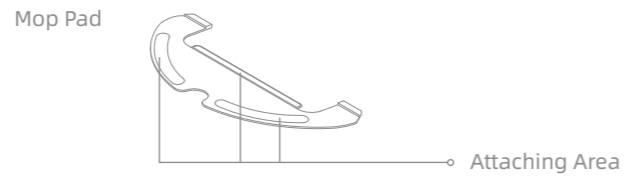
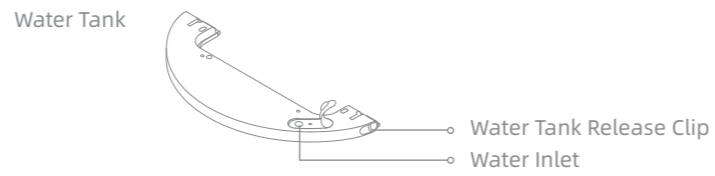


## Dust Collection Bag

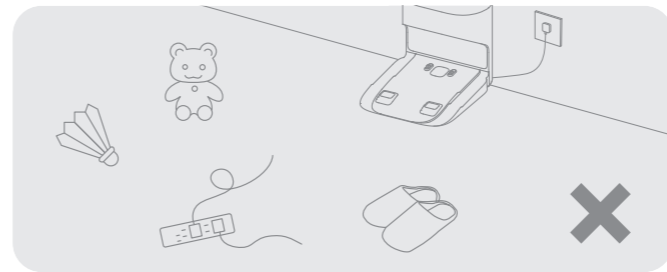


**Note:** Due to the factory setting, a new dust collection bag has been installed inside already.

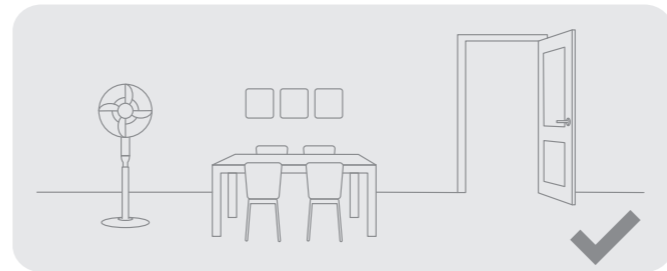
## Mopping Module



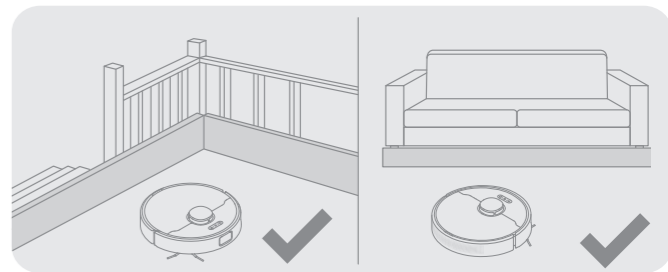
# Preparing Your Home



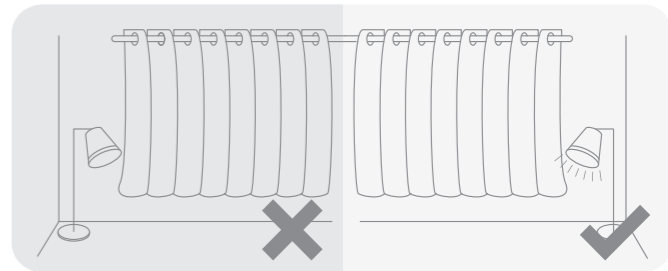
Tidy up items such as power cords, cloths, slippers, and toys to improve the efficiency of the robot.



Open the door of the room to be cleaned, and put the furniture in its proper place to leave more space.



Before cleaning, place a physical barrier at the edge of the stairs and sofa to ensure smooth operation.



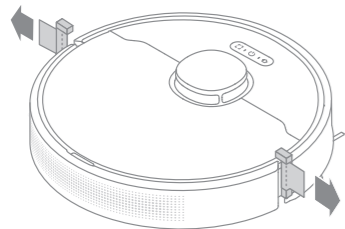
With the AI visual sensor, the robot can better recognize and avoid obstacles such as power cords, shoes, and socks. For best performance, make sure that all areas to be cleaned are well-lit.

**Note:**

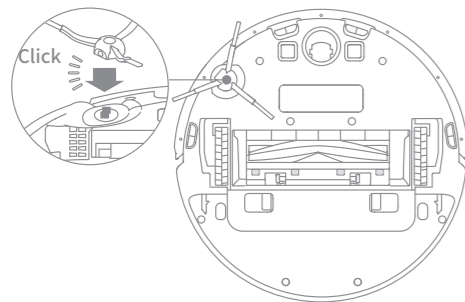
- When operating the robot for the first time, follow it around while cleaning to remove any potential obstacles in time.
- To prevent the robot from not recognizing areas that need to be cleaned, do not stand in front of the robot, threshold, hallway, or narrow places.

## Before Use

### 1. Remove the protective strips



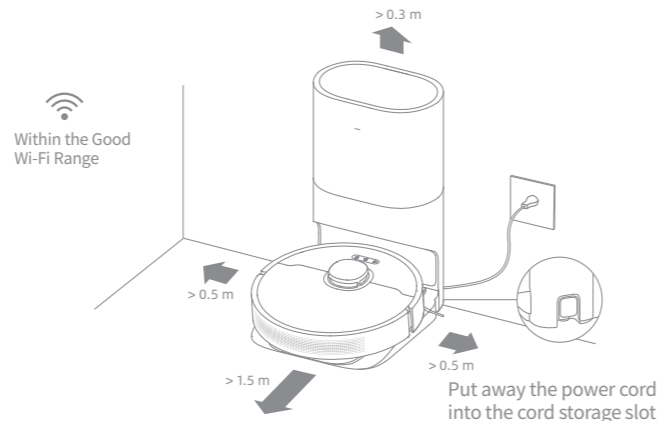
### 2. Install the side brush



**Note:** Install the side brush until it clicks into place.

### 3. Connect to a power outlet and start charging

Place the base on level ground against the wall and connect it to a power outlet. Place the robot onto the base to charge. The robot will turn on automatically and begin charging. It is recommended to fully charge your robot before first-time use.



**Note:**

- Keep the immediate area 1.5 m in front of the base and 0.5 m to its both sides clear of objects.
- Make sure that no objects might block the signaling area.

### About the Auto-Empty Base

It is recommended that the robot set out from the base before cleaning. Do not move the base while the robot is cleaning. This ensures that the robot returns to base smoothly.

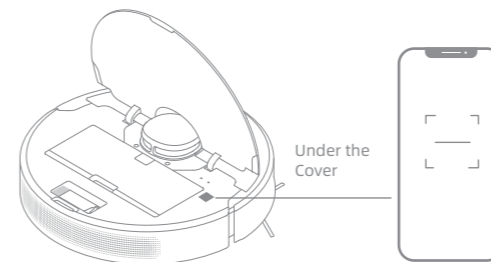
After the robot completes the cleaning task and automatically returns to the base, the base will start auto-empty. More settings can be operated on the app.

## Connecting with the Dreamehome App

This product works with the Dreamehome app, which can be used to control your device.

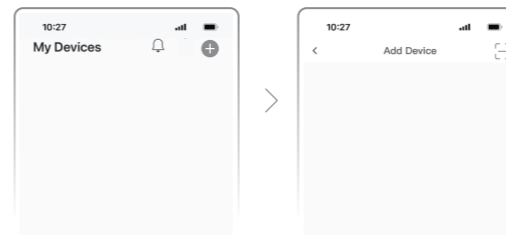
### 1. Download the Dreamehome App

Scan the QR code on the robot, or search "Dreamehome" in the app store to download and install the app based on your needs.



### 2. Add Device

Open the Dreamehome app, tap "+" in the upper right, and then scan the QR code above again to add "DreameBot D10s Plus". Please follow the prompts to finish the Wi-Fi connection.

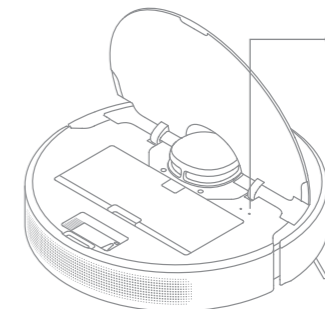


**Note:**

- Only 2.4 GHz Wi-Fi networks are supported.
- Due to upgrades in the app software, the actual operations may be different from the statements in this manual. Please follow the instructions based on the current app version.

### 3. Reset Wi-Fi

Simultaneously press and hold the buttons and until you hear a voice say, "Waiting for the network configuration." Once the Wi-Fi indicator is blinking slowly, the Wi-Fi has been successfully reset.



**Wi-Fi Indicator**

- Blinking slowly: To be connected
- Blinking quickly: Connecting
- On: Connected



**Note:** If your robot cannot connect to the app successfully, reset the Wi-Fi and add the device again.

## How to Use


### 1. Fast Mapping

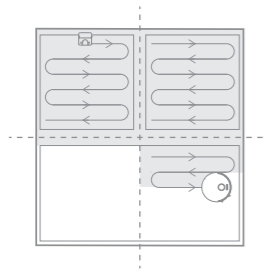
After configuring the network for the first time, follow the instructions on the app to quickly create a map. The robot will start mapping without cleaning. When the robot returns to the base, the mapping process has been completed and the map will be saved automatically.

### 2. Turn On/Off

Press and hold the  button for 3 seconds to turn on the robot. The power indicator should be illuminated. Place the robot onto the base. The robot should turn on automatically and begin charging. To turn off the robot, move the robot away from the base and press and hold the  button for 3 seconds.

### 3. Start Cleaning

Press the button  briefly to start cleaning after the robot is turned on. The robot will accurately map out a route, methodically clean along the edges and walls, then finish by cleaning each room in an S-shaped pattern to ensure a thorough job.



### 4. Pause/Sleep

When the robot is running, press any button to pause it. If the robot is paused for more than 10 minutes, it automatically enters sleep mode. All indicators on the robot will turn off. Press any button on the robot, or use the app to wake up the robot.

#### Note:

- The robot will turn off automatically if left in Sleep Mode for more than 12 hours.
- If the robot is paused and placed onto the base, the current cleaning task will end.


### 5. Do Not Disturb (DND) Mode

When the robot is set to the Do Not Disturb (DND) mode, the robot will be prevented from resuming cleaning and the power indicator goes out. The DND mode is disabled by default at the factory. You can use the app to enable the DND mode or modify the DND period. The DND period is 22:00-8:00 by default.

#### Note:

- The scheduled cleaning tasks will be performed on time during the DND period.
- The robot will resume cleanup where it left off after the DND period expires.

### 6. Spot Cleaning

When the robot is on standby, press briefly the  button to enable the spot cleaning mode. In this mode, the robot cleans a square-shaped area of 1.5 × 1.5 meters around it and returns to its starting point once the spot cleaning is completed.

## How to Use

### 7. Scheduled Cleaning

You can schedule cleaning time in the Dreamehome app. The robot will automatically start cleaning at the designated time and then return to the base to recharge when the cleaning is done.

### 8. Additional App Functions

Follow the instructions on the app interface to use more functions. The version of the app might have been updated. Please follow the instructions based on the current app version.

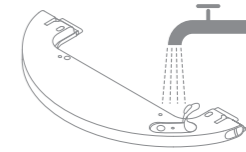
### 9. Use the Mopping Function

It is recommended that all floors are vacuumed at least three times before the first mopping session to achieve a better cleaning effect.

1) Dampen the mop pad and wring out excess water. Install the mop pad as shown in the diagram.




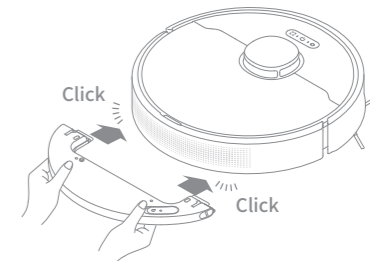
2) Fill the tank with water.



#### Note:

- Do not use detergent or disinfectant.
- Do not fill the water tank with hot water as this may cause the water tank to warp.

3) Align the mopping module as indicated by the arrow, then slide it into the back of the robot until it clicks into place. Press the button  or use the Dreamehome app to start cleaning.



#### Note:

- It is not recommended to use the mopping function on carpets.
- Use the app to adjust the water flow as required.

## Routine Maintenance

### Parts

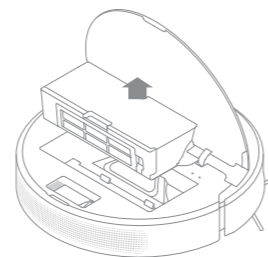
To keep the robot in good condition, it is recommended to refer to the following table for routine maintenance.

Part	Maintenance Frequency	Replacement Period
Mop pad	After each use	Every 3 to 6 months
Main brush	Once every 2 weeks	Every 6 to 12 months
Dust bin filter		Every 3 to 6 months
Side brush	Once every month	/
Auto-empty base's signaling area		
Charging contacts		
Auto-empty vent		
Universal wheel		
Laser Distance Sensor (LDS)		
AI visual sensor		
Cliff sensors		
Water tank	Clean it as needed	/
Dust bin		
Dust collection bag	/	8-10 weeks

**Note:** The replacement frequency will depend on your usage of the robot. If an exception occurs due to special circumstances, the parts should be replaced.

### Clean the Dust Bin and Filter

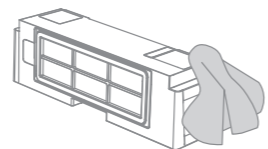
1. Open the robot cover and press the bin clip to remove the dust bin.



2. Open the bin cover and empty the bin as shown in the diagram.

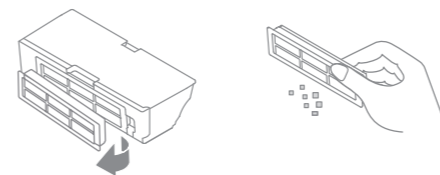


3. Clean the auto-empty vent.



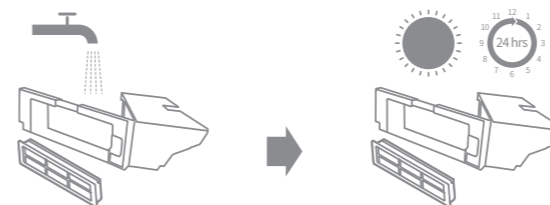
## Routine Maintenance

4. Remove the filter and tap its basket gently.



**Note:** Do not attempt to clean the filter with a brush, finger, or any sharp objects so as to avoid damaging it.

5. Rinse the dust bin and filter with water and dry them completely before reinstalling.

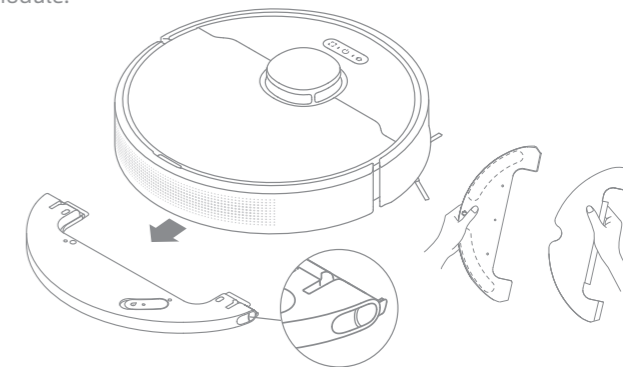


### Note:

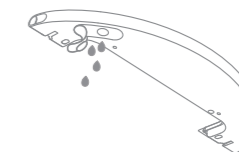
- Rinse the dust bin and filter with clean water only. Do not use any detergent.
- Use the dust bin and filter only when they are completely dry.

### Clean the Mopping Module

1. Slide the two release clips on the side of water tank to remove the mopping module, and then pull the mop pad off the mopping module.



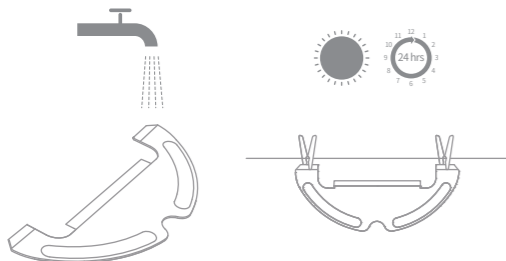
2. Pour out the water in the tank. Clean with water only and leave to air dry before re-installing.



**Note:** Do not directly expose the water tank to sunlight.

## Routine Maintenance

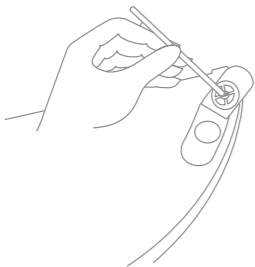
3. Clean the mop pad with water only and leave it to air dry before re-installing.



**Note:**

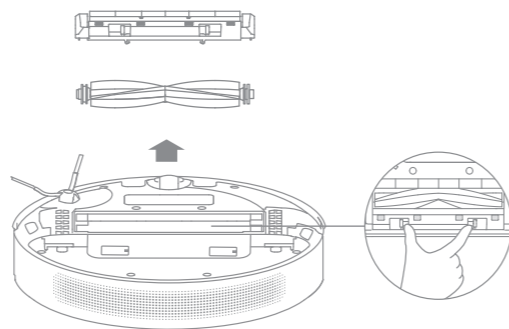
- Remove the pad from the mopping module before cleaning it. Make sure dirty water does not flow back into the water outlet to avoid clogging.

4. If the water flows too slowly or the outflow is not well-distributed, please clean the air hole on the cover of the water tank.



### Clean the Main Brush

1. Press the brush guard clips inwards to remove the brush guard and lift the brush out of the robot.



2. Pull out the brush covers as shown in the diagram. Use the included cleaning tool to remove any hairs tangled in the brush.

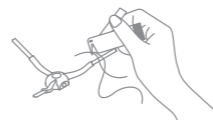


**Note:** Do not pull out the hair tangled in the main brush too vigorously. Doing so may damage the brush.

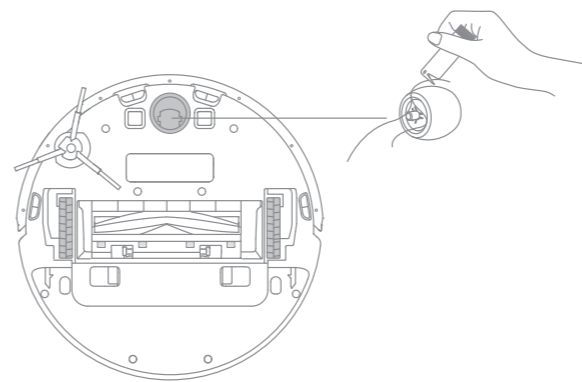
## Routine Maintenance

### Clean the Side Brush

Pull out the side brush and use the included cleaning tool to remove any hair tangled in the brush.



### Clean the Main Wheel / Universal Wheel

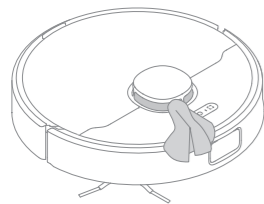


**Note:** Use a tool such as a small screwdriver to separate the axle and tire of the universal wheel.

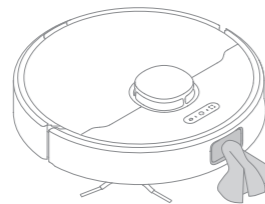
## Routine Maintenance

**Note:** Wet cloths can damage sensitive elements within the robot and base. Please use dry rags for cleaning.

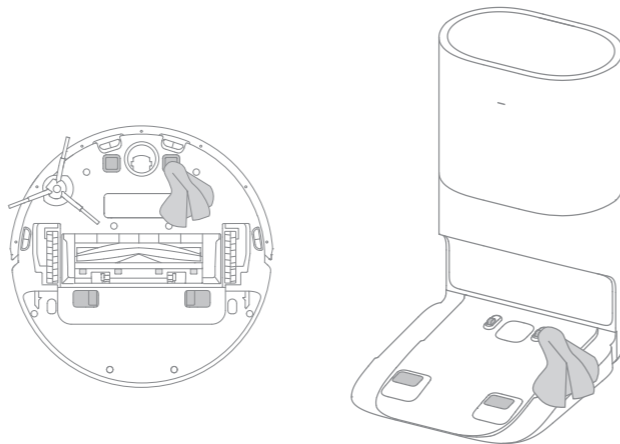
### Clean the LDS Laser Sensor



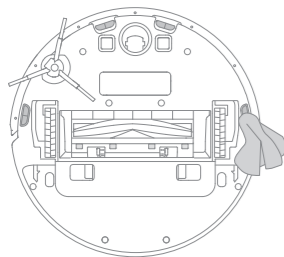
### Clean the AI Visual Sensor



### Clean the Charging Contacts and Auto-empty Vents



### Clean the Cliff Sensor

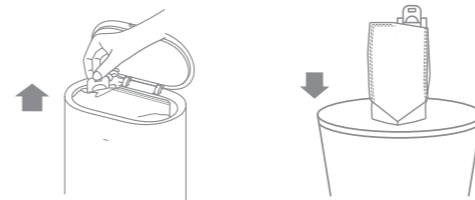


## Routine Maintenance

### Replace the Dust Collection Bag

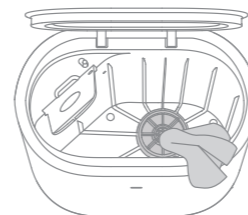
According to the status indicator (blinking orange) and app prompts, replace the dust collection bag with a new one when it is full.

1. Discard the dust collection bag.

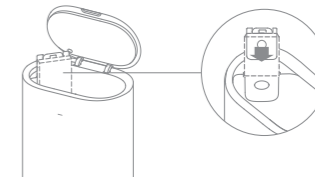


**Note:** When taking out the collection bag, close the bag handle to avoid dust leaking out.

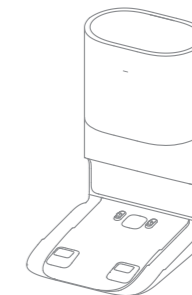
2. Wipe the filter with a dry cloth.



3. Install a new dust collection bag.



4. Close the upper cover of auto-empty base.



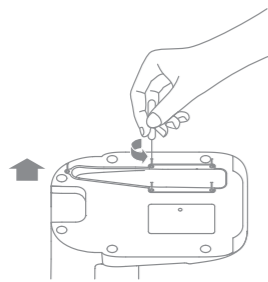
**Note:** Do not close the base forcefully if the upper cover cannot be closed or the dust collection bag is not installed.

## Routine Maintenance

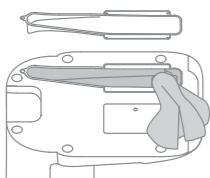
### Clean the Air Duct

If the air duct is blocked, please clean it according to the following steps.

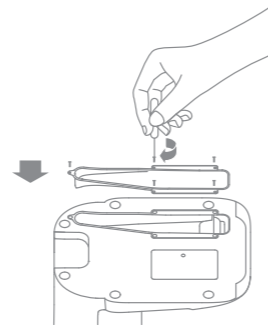
1. Unscrew mounting screws on the air duct cover and remove the cover plate.





2. Check whether the air duct is blocked by foreign objects. If any, clean them.



3. Reinstall the air duct cover as shown in the diagram.



### Robot Restarting

If the robot stops responding or cannot be turned off, press and hold down the button  for 10 seconds to forcefully turn it off. Then press and hold the button  for 3 seconds to turn the robot on.

### Battery

The robot contains a high-performance lithium-ion battery pack. Please ensure that it remains well-charged for daily use to maintain optimal battery performance. If the robot is not used for an extended period of time, turn it off and put it away. To prevent damage from over-discharging, the robot should be recharged at least once every three months.

## Troubleshooting

Problem Type	Solution
Robot does not turn on	The battery level is low. Recharge the robot on the base, then try it again. The temperature of the battery is too low or too high. It is recommended to operate the appliance at a temperature between 32 °F (0°C) and 104 °F (40°C).
Robot cannot recharge	The base is not receiving power. Please confirm that both ends of the power cord are plugged in correctly. The robot may be in poor contact with the charging contacts. Clean the charging contacts on both the base and the robot.
Robot cannot return to the base	There are too many obstructions around the base. Place the base in a more open area. Please clean the signaling area of the base. Moving the robot may cause it to re-position itself or re-map its surroundings. If the robot is too far from the base, it might not be able to automatically return on its own, in which case you need to manually place the robot onto the base.
Robot is malfunctioning	Turn off the robot and then reactivate it.
Robot is making a strange noise	A foreign object may be caught in the main brush, side brush, or one of the main wheels. Stop the robot and remove any debris.
Robot no longer cleans efficiently or leaves dust behind	The dust bin is full. Please clean the dust bin and auto-empty vent. The filter is blocked. Please clean it. A foreign object is caught in the main brush. Please clean it.



## Troubleshooting

Problem Type	Solution
Robot cannot connect to Wi-Fi	<p>There is something wrong with the Wi-Fi connection. Reset the Wi-Fi and download the latest version of the Dreamehome app, then try reconnecting.</p> <p>Location permission may not have been granted. Please ensure the location permission on the Dreamehome app is enabled.</p> <p>Wi-Fi signal is weak. Make sure the robot is in an area with good Wi-Fi coverage.</p> <p>5GHz Wi-Fi is not supported. Please ensure your robot connects to 2.4GHz Wi-Fi.</p> <p>The username or password of Wi-Fi is incorrect. Please enter the correct username and password.</p>
Robot does not perform scheduled cleaning	The robot has low battery. Scheduled cleaning will not start unless the robot has at least 15% battery left.
Does leaving the robot on the base consume power if it is already fully charged?	Leaving the robot on the base after it's fully charged consumes very little electricity and helps maintain optimal battery performance.
No water comes out of the water tank, or only a little bit comes out	<p>Check whether there is water inside the water tank.</p> <p>Clean the mop if it becomes dirty.</p> <p>Make sure the mop pad is installed correctly according to the user manual.</p> <p>Clean the blowhole on the top of the water tank.</p>
Robot doesn't resume cleaning after charging	<p>Make sure the robot is not set to Do Not Disturb mode (DND) as this will prevent it from resuming cleaning.</p> <p>The robot does not resume cleaning when it is manually recharged or placed onto the base.</p>

## Troubleshooting

Problem Type	Solution
Robot returns to the base without performing auto-empty tasks	DND mode prevents the robot from performing auto-empty tasks.
The dust collection bag is full	Check whether the dust collection bag is full. If so, replace it with a new one. It is recommended to replace the bag every 8-10 weeks. If not, check whether the auto-empty vent or air duct at the bottom of the base is blocked. Remove any blockage before use.
The auto-empty duration can be unacceptably long sometimes	When the robot has been performing auto-empty tasks for a period of time, or when the air duct does not function smoothly, the auto-empty duration will be extended to prevent blockage.
The upper cover of base fails to be closed	Check whether a dust collection bag is installed. If not, install one.

For additional services, please contact us via [aftersales@dreame.tech](mailto:aftersales@dreame.tech)  
 Website: <https://global.dreametech.com>

## Specifications

### Robot

Model	RLS6AD
Charging Time	Approx. 6 hours
Rated Voltage	14.4 V $\equiv$
Rated Power	46 W
Operation Frequency	2400-2483.5 MHz
Maximum Output Power	< 20 dBm

### Auto-Empty Base

Model	RCS2
Rated Input	220-240 V~ 50-60 Hz
Rated Output	19.8 V $\equiv$ 1 A
Rated Power	800 W

Under normal use of condition, this equipment should be kept a separation distance of at least 20 cm between the antenna and the body of the user.

## Battery Disposal and Removal

The built-in lithium-ion battery contains substances that are hazardous to the environment. Before disposing of the battery, make sure the battery is removed by qualified technicians and discarded at an appropriate recycling facility.

- the battery must be removed from the appliance before it is scrapped;
- the appliance must be disconnected from the supply mains when removing the battery;
- the battery is to be disposed of safely.

### CAUTION:

- Before removing the battery, disconnect the power and run out the battery as much as possible.
- Unneeded batteries should be discarded at an appropriate recycling facility.
- Do not expose to high temperature environment to avoid risks of explosion.
- Under abusive conditions, liquid may be ejected from the battery. If contact occurs, flush with water and seek medical help.

### Removal Guide

1. Turn over the robot, use a proper tool to remove the screws on the back of the robot, and then remove the cover.
2. Unplug the terminals between the battery and PCB board to remove the battery.

### WEEE Information



All products bearing this symbol are waste electrical and electronic equipment (WEEE as in directive 2012/19/EU) which should not be mixed with unsorted household waste. Instead, you should protect human health and the environment by handing over your waste equipment to a designated collection point for the recycling of waste electrical and electronic equipment, appointed by the government or local authorities. Correct disposal and recycling will help prevent potential negative consequences to the environment and human health. Please contact the installer or local authorities for more information about the location as well as terms and conditions of such collection points.

## Sicherheitsinformationen

Um Stromschläge, Brände oder Verletzungen durch unsachgemäßen Gebrauch des Geräts zu vermeiden, lesen Sie bitte die Bedienungsanleitung vor dem Gebrauch sorgfältig durch und bewahren Sie sie zum späteren Gebrauch auf.

### Nutzungseinschränkungen

- Um einen sicheren Betrieb zu gewährleisten und Risiken zu vermeiden, darf dieses Produkt nicht von Kindern unter 8 Jahren, von Personen mit körperlichen, sensorischen oder geistigen Einschränkungen oder von Personen mit mangelnden Kenntnissen ohne Aufsicht eines Elternteils oder Vormunds verwendet werden. Kinder dürfen die Reinigung und Wartung nicht ohne Aufsicht durchführen.
- Kinder dürfen nicht mit diesem Produkt spielen. Sorgen Sie dafür, dass Kinder und Haustiere während des Betriebs des Roboters einen sicheren Abstand zum Gerät halten.
- Wenn das Stromkabel beschädigt ist, schalten Sie das Gerät sofort aus und wenden Sie sich an den Kundendienst.
- Dieses Produkt ist nur für die Bodenreinigung in einer häuslichen Umgebung geeignet. Benutzen Sie es nicht im Freien, auf anderen Oberflächen als dem Boden oder in einer kommerziellen oder industriellen Umgebung.
- Verwenden Sie den Roboter nicht in einem Bereich, der sich über dem Bodenniveau befindet und der nicht durch eine Schutzbarriere begrenzt wird.
- Stellen Sie den Roboter nicht auf den Kopf. Verwenden Sie die LDS-Abdeckung, die Roboterabdeckung oder den Bumper nicht als Griff für den Roboter.
- Benutzen Sie den Roboter nicht in Umgebungen, in denen die Temperaturen über 40 °C oder unter 0 °C liegen, und auch nicht auf Böden mit Flüssigkeiten oder klebrigen Substanzen.
- Heben Sie Kabel vom Boden auf, bevor Sie den Roboter benutzen, um zu verhindern, dass diese während der Reinigung mitgezogen werden.
- Entfernen Sie zerbrechliche oder kleine Gegenstände vom Boden, um zu verhindern, dass der Roboter sie anstößt und beschädigt.

## Sicherheitsinformationen

### Nutzungseinschränkungen

- Entfernen Sie lose Gegenstände vom Boden und entfernen Sie Kabel oder Netzkabel am Reinigungsweg, bevor Sie das Gerät in Betrieb nehmen, um Schäden oder Schäden beim Anziehen zu verhindern.
- Halten Sie Haare, Finger und andere Körperteile von der Saugöffnung des Roboters fern.
- Bitte halten Sie die Reinigungswerkzeuge für die Bürste von Kindern fern.
- Kinder, Haustiere oder Gegenstände dürfen weder auf dem stillstehenden noch dem sich bewegenden Roboter positioniert werden.
- Benutzen Sie den Roboter nicht zum Aufwischen oder Aufsaugen brennender Substanzen. Verwenden Sie den Roboter nicht zum Aufsaugen von entflammaren oder brennbaren Flüssigkeiten, ätzenden Gasen oder unverdünnten Säuren oder Lösungsmitteln.
- Saugen Sie keine harten oder scharfen Gegenstände ein. Verwenden Sie das Gerät nicht zum Aufnehmen von Gegenständen wie Steinen, großen Papierstücken oder anderen Dingen, die das Gerät verstopfen könnten.
- Stellen Sie sicher, dass der Roboter ausgeschaltet und die Auto-Entleerungsbasis vom Strom getrennt ist, bevor Sie Reinigungs- oder Wartungsarbeiten durchführen.
- Verwenden Sie kein nasses Tuch zum Abwischen und keine Flüssigkeit zum Abspülen des Roboters und der Basis. Waschbare Teile müssen vollständig getrocknet werden, bevor sie installiert und verwendet werden.
- Stellen Sie sicher, dass der Roboter beim Transport ausgeschaltet ist und möglichst in der Originalverpackung befördert wird.
- Bitte verwenden Sie das Produkt gemäß den Anweisungen im Benutzerhandbuch. Der Benutzer ist für jeglichen Verlust oder Schaden verantwortlich, der aufgrund inkorrektter Verwendung dieses Produkts entsteht.

## Sicherheitsinformationen

### Akkus und Ladung

- Verwenden Sie keine Akkus oder Auto-Entleerungsbasis von Drittanbietern. Bitte ausschließlich mit Versorgungseinheit RCS2 verwenden.
- Versuchen Sie nicht, den Akku oder die Auto-Entleerungsbasis selbst zu zerlegen, zu reparieren oder zu modifizieren.
- Stellen Sie die Auto-Entleerungsbasis nicht in der Nähe einer Wärmequelle auf.
- Verwenden Sie kein nasses Tuch oder keine nassen Hände, um die Ladkontakte der Basis zu wischen oder zu reinigen.
- Entsorgen Sie alte Akkus sachgemäß. Unbenutzte Akkus sollten in einer geeigneten Recycling-Einrichtung entsorgt werden.
- Wenn der Roboter für eine längere Zeit nicht benutzt werden soll, laden Sie ihn voll auf, schalten ihn aus und lagern ihn an einem kühlen und trockenen Ort. Laden Sie den Roboter mindestens je 3 Monate auf, um eine Tiefentladung des Akkus zu vermeiden.
- Dieses Produkt enthält Akkus, die nur von qualifizierten Technikern oder dem Kundendienst ausgewechselt werden können.

### Lasersicherheitsinformationen

- Der Lasersensor in diesem Produkt erfüllt die Norm IEC 60825-1: 2014 für Laserprodukte der Klasse 1. Bitte vermeiden Sie direkten Augenkontakt mit ihm während des Gebrauchs.

Hiermit bestätigt, Dreame Trading (Tianjin) Co., Ltd. dass das Funkgerät des Typs RLS6AD mit der Verordnung 2014/53/EU in Einklangsteht. Der vollständige Wortlaut der EU-Konformitätserklärung ist unter der folgenden Internetadresse abrufbar: <https://global.dreametech.com>  
Ein detailliertes elektronisches Handbuch finden Sie unter <https://global.dreametech.com/pages/user-manuals-and-faqs>

## Produktübersicht

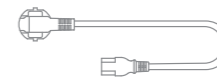
### Zubehör



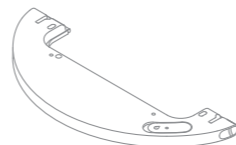
Reinigungswerkzeug



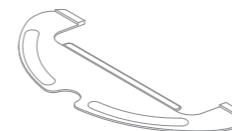
Seitenbürste



Netz Kabel



Wassertank



Wischmopp



Staubsaammelbeutel  
(Ersatz)

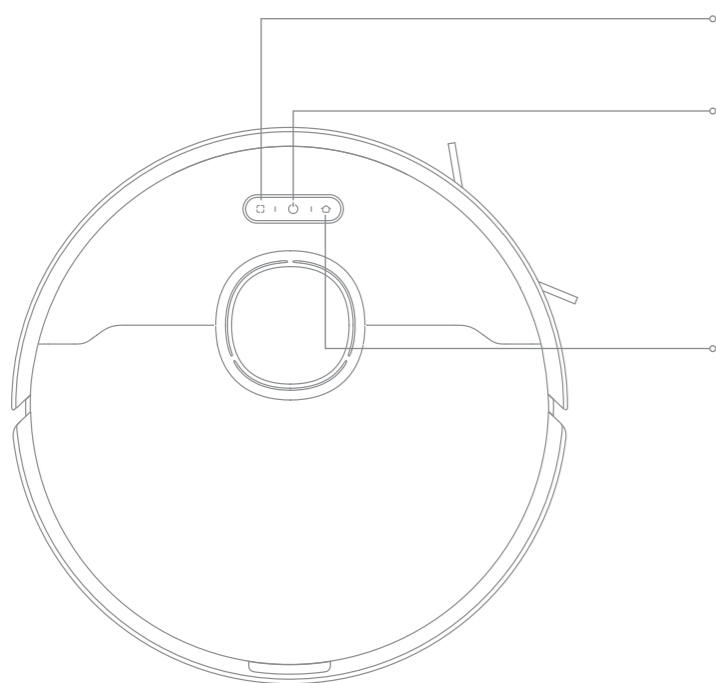


Auto-Entleerungsbasis

# Produktübersicht

DE

## Roboter



- Taste für die Punktreinigung
  - Kurz drücken, um die Punktreinigung zu starten
- Ein-/Aus- und Reinigungstaste
  - Halten Sie die Taste 3 Sekunden lang gedrückt, um das Gerät ein- oder auszuschalten
  - Kurz drücken zum Start der Reinigung nach dem Einschalten des Roboters
- Schaltfläche zum Andocken
  - Drücken, um den Roboter zur Auto-Entleerungsbasis zurückzufahren
  - Halten Sie die Taste 3 Sekunden lang gedrückt, um die Kindsicherung zu deaktivieren
- Statusanzeige
  - Weiß: Reinigung im Prozess oder Reinigung ist abgeschlossen
  - Blinkt Orange: Fehler
  - Blau: Kameraüberwachung aktiviert

# Produktübersicht

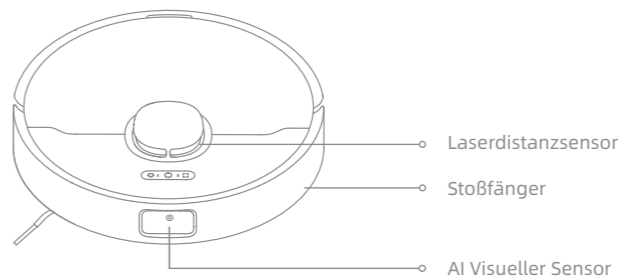
DE

## Roboter

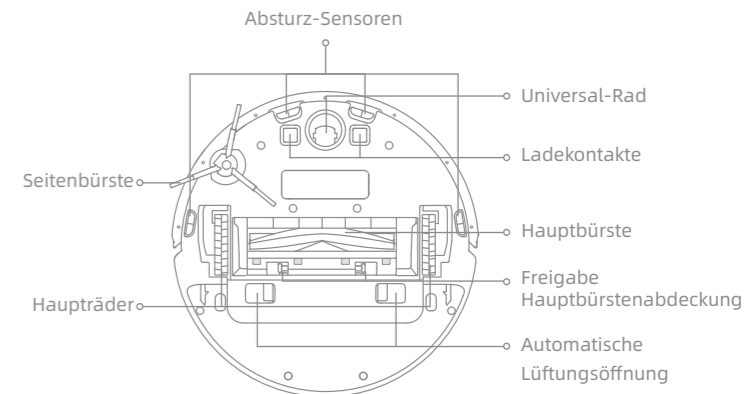


- Reset-Taste
  - Halten Sie 3 Sekunden lang gedrückt, um die ursprünglichen Einstellungen wiederherzustellen
- Abdeckung
- WLAN-Anzeiger
- Reinigungswerkzeug
- Luftauslass/Lautsprecher

## Robotersensor



- Laserdistanzsensor
- Stoßfänger
- AI Visueller Sensor

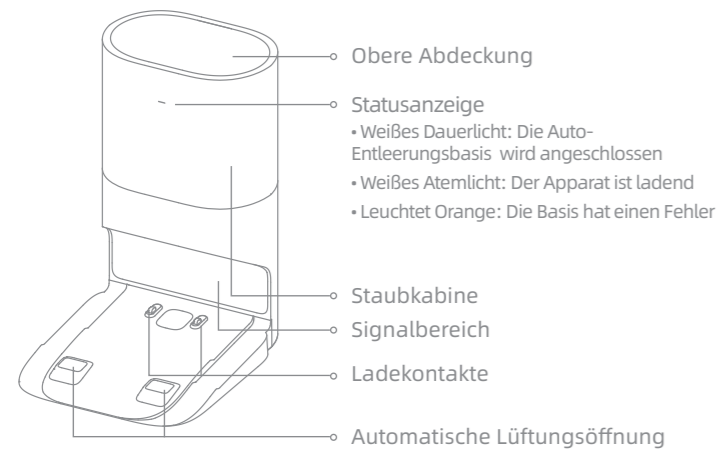


- Absturz-Sensoren
- Universal-Rad
- Ladekontakte
- Hauptbürste
- Freigabe Hauptbürstenabdeckung
- Automatische Lüftungsöffnung
- Seitenbürste
- Hauptträder

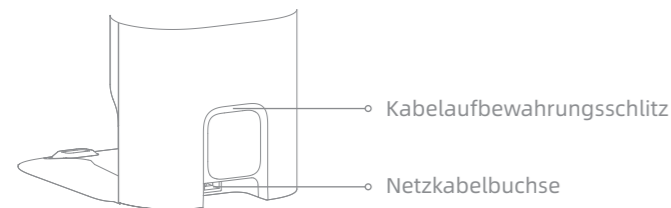
## Produktübersicht

DE

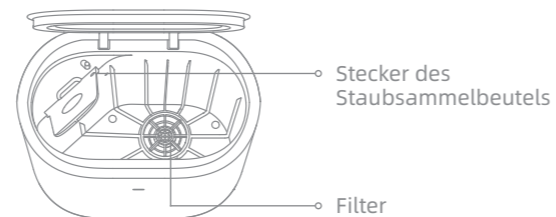
### Auto-Entleerungsbasis



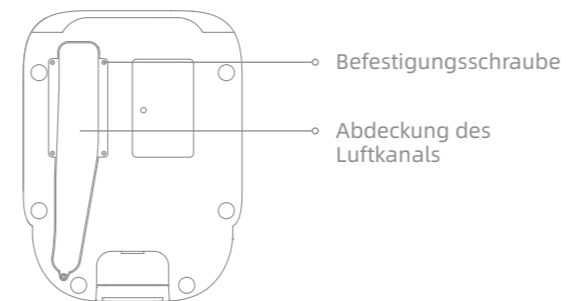
### Rückseite



### Öffnen Sie die obere Abdeckung



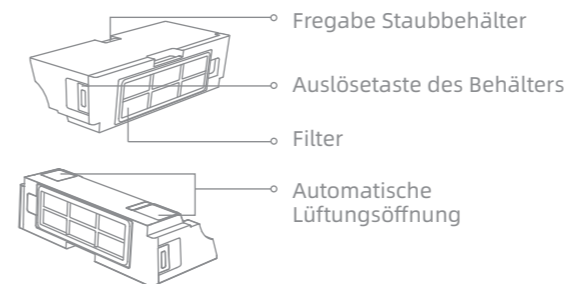
### Unterseite



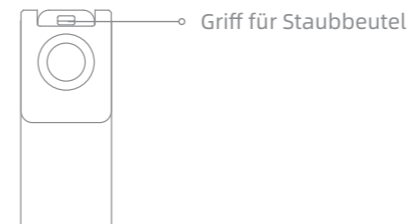
## Produktübersicht

DE

### Staubbehälter

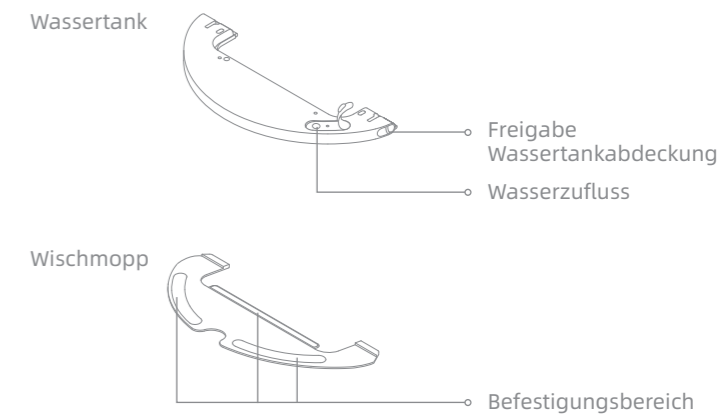


### Staubsammelbeutel



**Hinweis:** Aufgrund der Werkseinstellung ist bereits ein neuer Staubsammelbeutel im Inneren installiert.

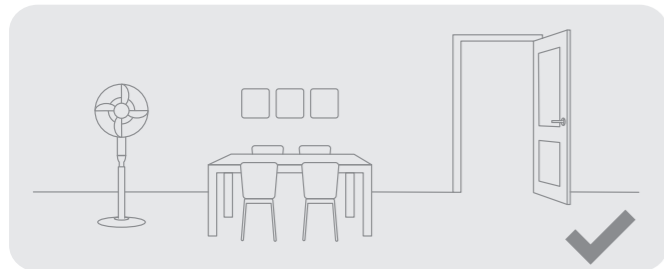
### Wischmodul



## Ihr Zuhause vorbereiten



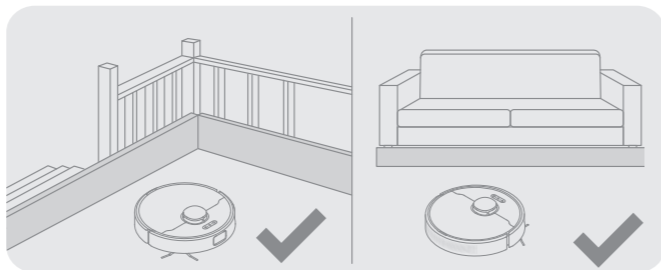
Ordnen Sie Gegenstände wie Netzkabel, Tücher, Hausschuhe und Spielzeug, um die Effizienz der Reinigung zu verbessern.



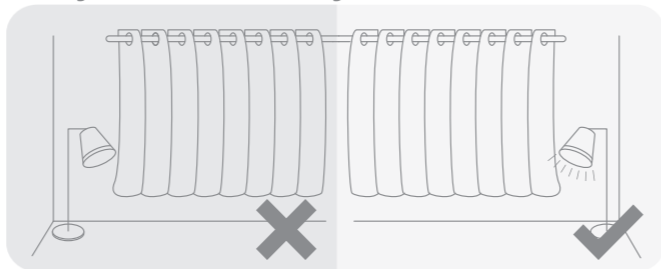
Öffnen Sie die Tür des zu reinigenden Raumes und stellen Sie die Möbel in die geeignete Position, um mehr Platz zu schaffen.

### Hinweis:

- Wenn Sie den Roboter zum ersten Mal in Betrieb nehmen, folgen Sie ihm während der Reinigung, um mögliche Hindernisse rechtzeitig zu beseitigen.
- Um zu verhindern, dass der Roboter den zu reinigenden Bereich nicht erkennt, stellen Sie sich nicht vor den Roboter, vor eine Schwelle, oder die enge Stelle einer Flur hin.



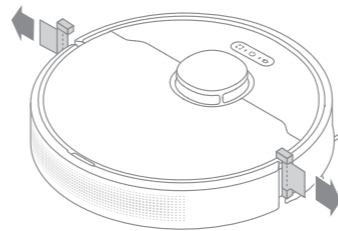
Montieren Sie vor der Reinigung die physische Barriere an den Kanten von Treppen und Möbeln, um dem Roboter ein reibungsloses Arbeiten zu ermöglichen.



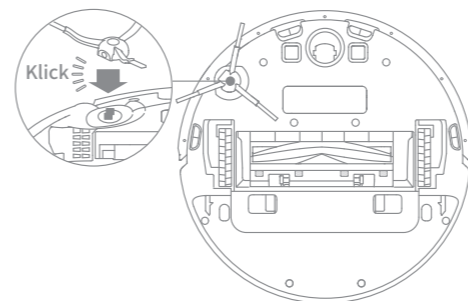
Mit dem visuellen KI-Sensor kann der Roboter Hindernisse wie Stromkabel, Schuhe und Socken besser erkennen und vermeiden, um den visuellen KI-Sensor auszunutzen. Stellen Sie sicher, dass alle zu reinigenden Bereiche gut beleuchtet sind.

## Vor der Verwendung

### 1. Die Schutzstreifen entfernen



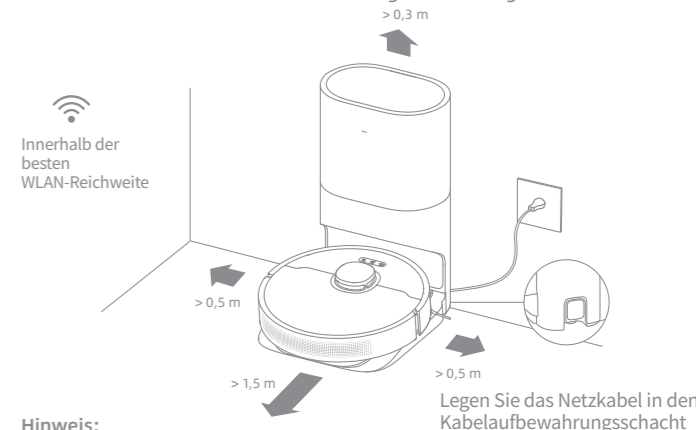
### 2. Seitenbürste installieren



**Hinweis:** Installieren Sie die Seitenbürste, bis sie einrastet.

### 3. Schließen Sie das Gerät an eine Steckdose an

Platzieren Sie die Basis auf ebenem Boden an die Wand und schließen Sie sie an eine Steckdose an. Platzieren Sie den Roboter zum Aufladen auf die Auto-Entleerungsbasis. Der Roboter schaltet sich automatisch ein und beginnt zu laden. Es wird empfohlen, das Gerät vor der ersten Verwendung vollständig aufzuladen.



### Hinweis:

- Halten Sie den unmittelbaren Bereich 1,5 m vor der Basis und 0,5 m zu ihren beiden Seiten von Gegenständen frei.
- Stellen Sie sicher, dass keine Gegenstände den Signalisierungsbereich blockieren.

### Beschreibung der Auto-Entleerungsbasis

Um der Apparat nach dem Aufräumen gut auf die Basis zurückzukehren, ist es empfohlen, dass er von der Basis startet. Bewegen Sie während des Aufräumens nicht die Basis.

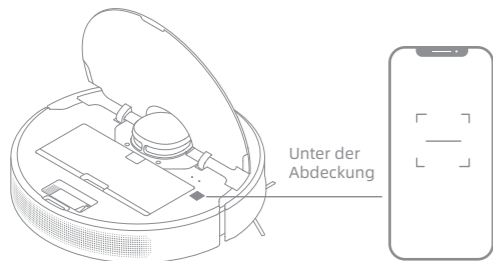
Nachdem die Auto-Entleerungsbasis installiert und an eine Stromversorgung angeschlossen wurde, kehrt der Roboter automatisch zum Aufladen in die Basis zurück. Die Basis leert den Staubbehälter bei Bedarf.

## Verbinden mit Dreamehome App

Dieses Produkt funktioniert mit der Dreamehome App, mit der Sie Ihr Gerät steuern können.

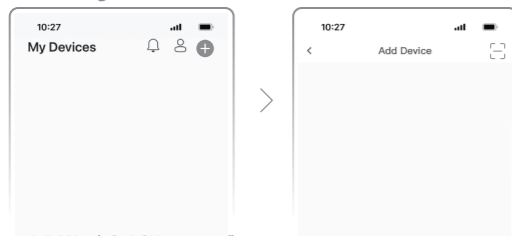
### 1. Laden Sie die Dreamehome App herunter

Scannen Sie den QR-Code auf dem Roboter oder suchen Sie im App Store nach "Dreamehome" um die App nach Ihren Bedürfnissen herunterzuladen und zu installieren.



### 2. Fügen Sie das Gerät hinzu

Öffnen Sie das Dreamehome, tippen Sie oben rechts auf "+" und scannen Sie den obigen QR-Code erneut, um "DreameBot D10s Plus" hinzuzufügen. Bitte folgen Sie den Anweisungen, um die WLAN-Verbindung abzuschließen.

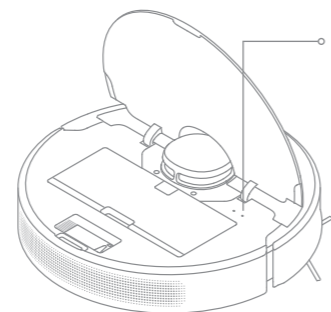


#### Hinweis:

- Es wird nur WLAN mit 2,4 GHz unterstützt.
- Die App-Software wird aktualisiert, die tatsächliche Bedienung kann sich von den Angaben in diesem Handbuch abweichen. Bitte befolgen Sie die Anweisungen basierend auf der aktuellen App-Version.

### 3. WLAN zurücksetzen

Gleichzeitig drücken und halten Sie die und Taste bis Sie eine Sprachmeldung hören „Warten auf Netzwerkkonfiguration“. Sobald die WLAN-Anzeige langsam blinkt, wurde das WLAN erfolgreich zurückgesetzt.



#### WLAN-Anzeiger

- Langsam blinkend: Wartet auf Verbindung
- Schnell blinkend: Verbindung wird hergestellt
- Ein: Verbunden

Hinweis: Wenn Ihr Telefon keine erfolgreiche Verbindung mit dem Roboter herstellen kann, setzen Sie das WLAN zurück und fügen Sie das Gerät erneut hinzu.

## Gebrauchsanleitung

### 1. Schnelle Kartenerstellung

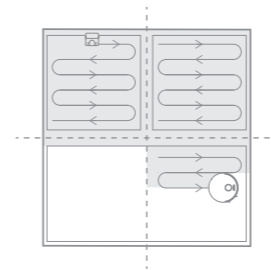
Nachdem Sie das Netzwerk zum ersten Mal konfiguriert haben, folgen Sie den Anweisungen in der App, um schnell eine Karte zu erstellen, wobei der Roboter die Kartierung ohne Reinigung startet. Wenn der Roboter zur Basis zurückkehrt, ist der Mapping-Prozess abgeschlossen und die Karte wird automatisch gespeichert.

### 2. Einschalten/Ausschalten

Halten Sie die Taste 3 Sekunden lang gedrückt, um den Roboter einzuschalten, und die Betriebsanzeige leuchtet dauerhaft. Stellen Sie den Roboter auf die Basisstation, und der Roboter schaltet sich automatisch ein und beginnt mit dem Aufladen. Um den Roboter auszuschalten, nehmen Sie ihn von der Basisstation, und halten Sie die Taste 3 Sekunden lang gedrückt.

### 3. Mit der Reinigung beginnen

Drücken Sie die Taste kurz, um die Reinigung nach dem Einschalten des Roboters zu starten. Dann wird der Roboter eine Route genau planen, methodisch entlang der Kanten und Wände reinigen und schließlich jeden Raum in einem S-förmigen Muster gründlich reinigen.



### 4. Pause / Schlaf

Wenn der Roboter läuft, drücken Sie eine beliebige Taste, um ihn zu pausieren. Wenn der Roboter länger als 10 Minuten pausiert wird, wechselt er automatisch in den Schlafmodus. Alle Anzeigen am Roboter werden ausgeschaltet. Drücken Sie eine beliebige Taste am Roboter oder verwenden Sie die App, um den Roboter aufzuwecken.

#### Hinweis:

- Wenn das Gerät länger als 12 Stunden im Ruhemodus ist, schaltet es sich automatisch aus.
- Wenn der Roboter sich im Pause-Modus befindet, wird die aktuelle Reinigungsaufgabe beendet, wenn Sie ihn auf die Auto-Entleerungsbasis setzen.

### 5. Nicht stören (DND) Modus

Wenn der Roboter auf den DND-Modus (Do Not Disturb) eingestellt ist, führt der Roboter die Reinigungsaufgabe nicht mehr durch und die Betriebsanzeige erlischt. Der DND-Modus ist werkseitig standardmäßig deaktiviert. Sie können die App verwenden, um den DND-Modus zu aktivieren oder den DND-Zeitraum zu ändern. Der DND-Zeitraum ist standardmäßig 22:00-8:00.

#### Hinweis:

- Die geplanten Reinigungsaufgaben werden während des DND-Zeitraums pünktlich durchgeführt.
- Der Roboter wird die Reinigung fortsetzen, wo er nach Ablauf der DND-Periode aufgehört hat.

### 6. Punktreinigung

Wenn der Roboter in Bereitschaft ist, drücken Sie kurz die Taste , um den Spot-Reinigungsmodus zu aktivieren. In diesem Modus reinigt der Roboter einen quadratischen Bereich von 1,5 x 1,5 Metern um ihn herum und kehrt zu seinem Ausgangspunkt zurück, sobald die Reinigung bestimmter Bereiche abgeschlossen ist.



# Gebrauchsanleitung

DE

## 7. Geplantes Reinigen

Sie können die Reinigungszeit in der Dreamehome-App planen. Der Roboter beginnt automatisch mit der Reinigung zum angegebenen Zeitpunkt und kehrt dann zur Basis zurück, um sich aufzuladen, wenn die Reinigung abgeschlossen ist.

## 8. Weitere APP-Funktionen

Folgen Sie den Anweisungen auf der APP-Schnittstelle, um weitere Funktionen zu nutzen. Die App-Version könnte aktualisiert worden sein. Bitte folgen Sie den Anweisungen entsprechend der aktuellen App-Version.

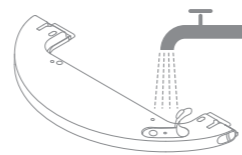
## 9. Verwenden der Wischfunktion

Zur Erzielung eines besseren Reinigungseffekts, wird empfohlen, alle Böden mindestens dreimal vor der ersten Mopp-Reinigung zu saugen.

1) Befeuchten Sie den Wischer und wringen Sie überschüssiges Wasser aus. Installieren Sie den Wischmopp wie im Diagramm gezeigt.



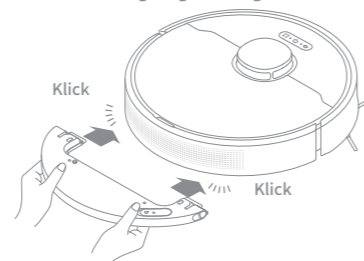
2) Füllen Sie den Tank mit Wasser.



### Hinweis:

- Verwenden Sie keine Reinigungs- oder Desinfektionsmittel.
- Füllen Sie nicht mit heißem Wasser, das Verzerrung des Wassertanks verursachen kann.

3) Richten Sie das Wischmodul wie durch den Pfeil angezeigt aus, und schieben Sie es dann in die Rückseite des Roboters, bis es einrastet. Drücken Sie die Taste oder verwenden Sie die App Dreamehome, um mit der Reinigung zu beginnen.



### Hinweis:

- Die Verwendung der Wischfunktion auf Teppichen wird nicht empfohlen.
- Verwenden Sie die App, um den Wasserfluss wie benötigt einzustellen.

# Regelmäßige Wartung

DE

## Teile

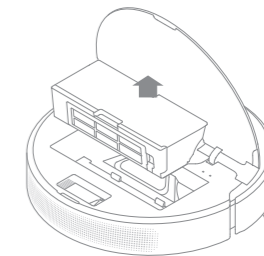
Es wird empfohlen, sich für die routinemäßige Wartung auf die folgende Tabelle zu beziehen, um den Roboter in gutem Zustand zu halten.

Teil	Häufigkeit der Wartung	Häufigkeit des Austausches
Wischer	Nach jedem Gebrauch	Alle 3 bis 6 Monate
Hauptbürste	Einmal alle 2 Wochen	Alle 6 bis 12 Monate
Staubbehälterfilter		Alle 3 bis 6 Monate
Seitenbürste	Einmal im Monat	/
Der Signalisierungsbereich der Auto-Entleerungsbasis		
Ladekontakte		
Automatische Lüftungsöffnung		
Universal-Rad		
Laserdistanzsensor		
AI Visueller Sensor		
Absturz-Sensoren		
Wassertank	Nach Bedarf reinigen	/
Staubbehälter	/	8-10 Wochen
Staubsammelbeutel		

**Hinweis:** Die Häufigkeit des Austauschs hängt von der Nutzung des Roboters ab. Wenn aufgrund besonderer Umstände eine Störung auftritt, sollten die Teile ausgetauscht werden.

## Staubbehälter und Filter reinigen

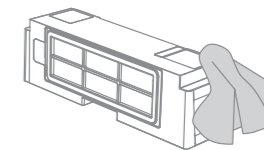
1. Öffnen Sie die Roboterabdeckung und drücken Sie auf den Staubbehälterklipp, um den Staubbehälter zu entfernen.



2. Öffnen Sie die Behälterabdeckung und leeren Sie den Behälter wie in der Abbildung gezeigt.

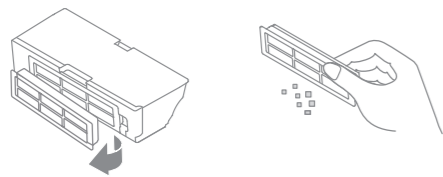


3. Automatische Lüftungsöffnung reinigen.



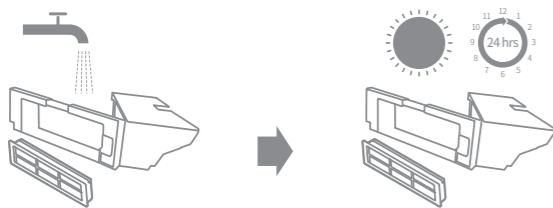
## Regelmäßige Wartung

4. Nehmen Sie den Filter heraus und klopfen Sie vorsichtig auf seinen Korb.



**Hinweis:** Versuchen Sie nicht, den Filter mit einer Bürste, einem Finger oder scharfen Gegenständen zu reinigen, um Schäden zu vermeiden.

5. Spülen Sie den Staubbehälter und den Filter mit Wasser und trocknen Sie sie vollständig vor dem Wiedereinbau.

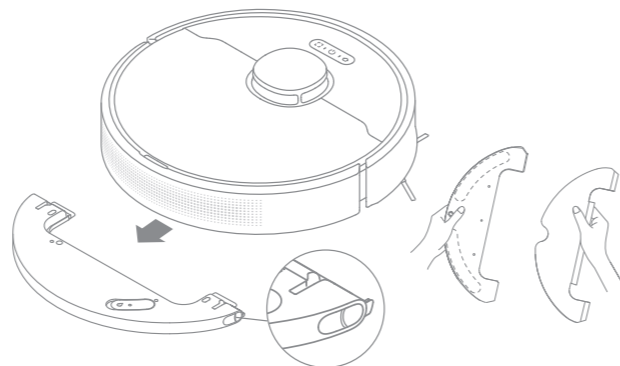


**Hinweis:**

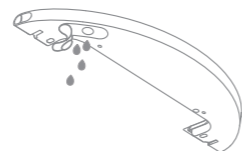
- Spülen Sie den Staubbehälter und den Filter nur mit sauberem Wasser aus. Verwenden Sie keine Reinigungsmittel.
- Verwenden Sie den Staubbehälter und den Filter nur, wenn sie vollständig trocken sind.

## Reinigen Sie das Wischmodul

1. Schieben Sie die beiden Freigabeklammern an der Seite des Wassertanks, um den Moppaufsatz zu entfernen, und ziehen Sie dann den Wischmopp vom Moppaufsatz ab.



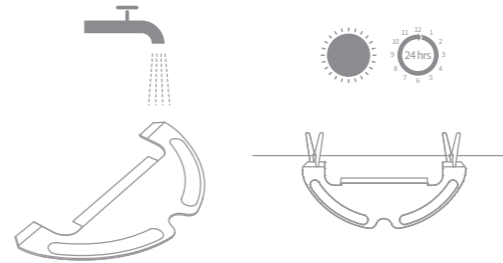
2. Entleeren Sie das Restwasser aus dem Wassertank und lassen Sie ihn an der Luft trocknen.



**Hinweis:** Setzen Sie den Tank keiner direkten Sonneneinstrahlung aus.

## Regelmäßige Wartung

3. Die Wischlappen ausschließlich mit Wasser reinigen und vor Reinstallieren an der Luft trocknen lassen.



**Hinweis:**

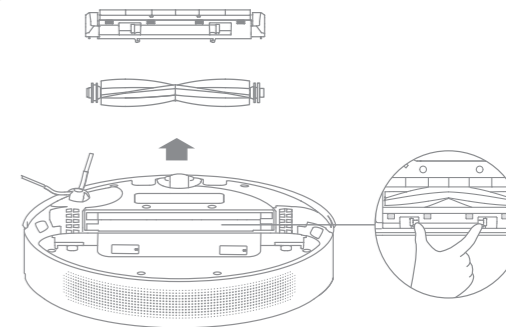
- Nehmen Sie den Wischlappen vor der Reinigung aus dem Wischmodul heraus und stellen Sie sicher, dass das Schmutzwasser nicht in den Wasserauslass zurückfließt, um eine Verstopfung zu vermeiden.

4. Falls eine langsamer Wasserdurchfluss auftritt bzw. das Wasservolumen nicht gut verteilt ist, reinigen Sie das Luftloch in der Abdeckung des Wassertanks.

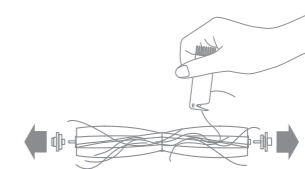


## Bürste reinigen

1. Drücken Sie den Bürstenschutzclip nach innen, um den Bürstenschutz zu entfernen und die Bürste aus dem Roboter zu heben.



2. Ziehen Sie den Bürstendeckel wie im Diagramm gezeigt heraus. Verwenden Sie das mitgelieferte Reinigungswerkzeug, um die in der Bürste verwickelten Haare zu entfernen.

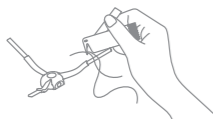


**Hinweis:** Ziehen Sie die in der Bürste verhedderten Haare nicht übermäßig heraus. Andernfalls kann die Hauptbürste beschädigt werden.

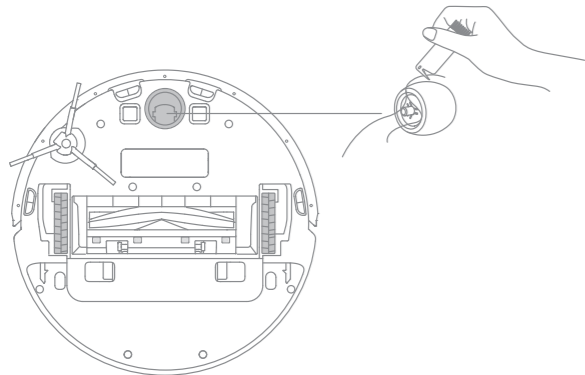
## Regelmäßige Wartung

### Seitenbürste reinigen

Ziehen Sie die Seitenbürste heraus und entfernen Sie mit dem mitgelieferten Reinigungswerkzeug alle in der Bürste verwickelten Haare.



### Das Haupttrand und das Universal-Rad reinigen

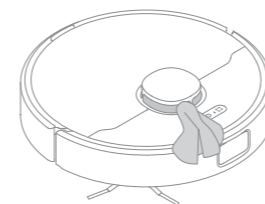


**Hinweis:** Verwenden Sie ein Werkzeug, z. B. einen kleinen Schraubendreher, um die Achse und den Reifen des Universalrads zu trennen.

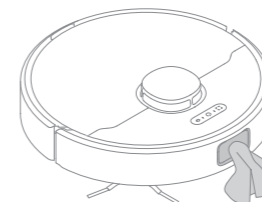
## Regelmäßige Wartung

**Hinweis:** Bitte verwenden Sie zur Reinigung ein trockenes Geschirrtuch, da der Roboter und das innere der Auto-Entleerungsbasis empfindliche Komponenten enthalten. Verwenden Sie keine nassen Spültücher, um durch Wasser verursachte Schäden zu vermeiden.

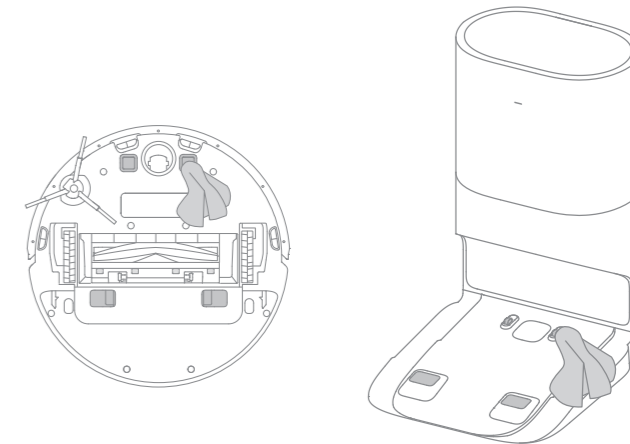
### Reinigen Sie den LDS Lasersensor



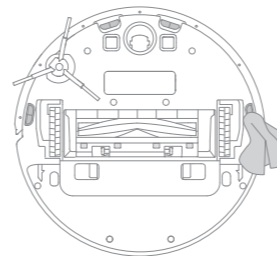
### Reinigen Sie den AI Visuellen Sensor



### Reinigen Sie die Ladkontakte und Automatische Lüftungsöffnung



### Reinigen Sie die Abstürzesensor



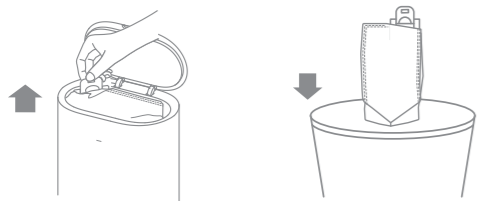
## Regelmäßige Wartung

DE

### Wechseln Sie den Staubsammelbeutel

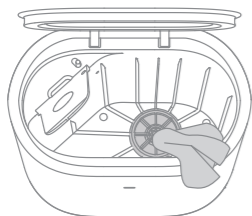
Ersetzen Sie den Staubbeutel gemäß der Statusanzeige (orange leuchtet) und den Anweisungen der App, wenn er voll ist.

1. Werfen Sie den Staubbeutel weg.

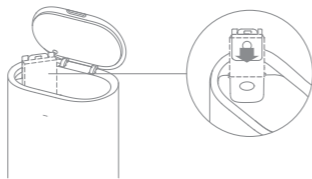


**Hinweis:** wenn Sie den Staubbeutel ausnehmen, machen Sie zuerst ihn zu, um Staub nicht auszuströmen.

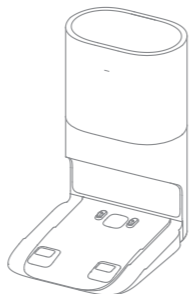
2. Räumen Sie den Filter auf.



3. Installieren Sie einen neuen Staubbeutel.



4. Schließen Sie die obere Abdeckung der Auto-Entleerungsbasis.



**Hinweis:** Schließen Sie die Auto-Entleerungsbasis nicht gewaltsam, wenn sich die obere Abdeckung der Auto-Entleerungsbasis nicht schließen lässt und der Staubsammelbeutel nicht installiert ist.

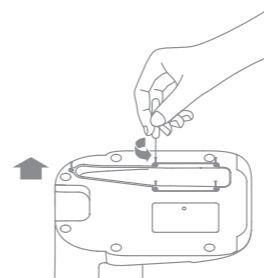
## Regelmäßige Wartung

DE

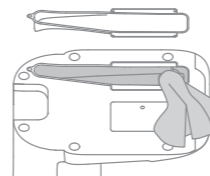
### Reinigen des Luftkanals

Wenn der Luftkanal verstopft ist, räumen Sie ihn nach folgenden Schritten auf.

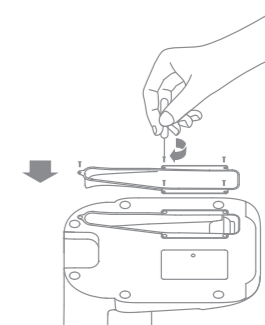
1. Schrauben Sie die Schraube des Deckels vom Luftkanal ab und nehmen Sie den Deckel ab.




2. Prüfen Sie, ob es Blockade gibt. Wenn ja, räumen Sie auf.



3. Installieren Sie nach dem Bild den Deckel zurück.



### Roboter neu starten

Wenn der Roboter nicht mehr reagiert oder nicht ausgeschaltet werden kann, halten Sie die Taste  10 Sekunden lang gedrückt, um sie gewaltsam auszuschalten. Halten Sie dann die Taste  3 Sekunden lang gedrückt, um den Roboter einzuschalten.

### Batterie

Der Roboter enthält einen Hochleistungs-Lithium-Ionen-Akku. Bitte stellen Sie sicher, dass dieser bei täglicher Nutzung gut geladen ist, um die optimale Akkuleistung beizubehalten. Wenn der Roboter längere Zeit nicht benutzt wird, schalten Sie ihn aus und stellen Sie ihn weg. Um Schäden durch Tiefentladung zu vermeiden, sollte der Roboter mindestens einmal je drei Monate aufgeladen werden.

Problemtyp	Lösung
Roboter lässt sich nicht einschalten	Wenn die Batterie ist knapp leer, laden Sie zuerst den Roboter auf der Basis. Probieren Sie danach noch einmal. Die Temperatur des Akkus ist zu niedrig oder zu hoch. Es wird empfohlen, das Gerät bei einer Temperatur zwischen 0°C und 40°C in Betrieb zu nehmen.
Roboter lädt sich nicht auf	Die Auto-Entleerungsbasis ist nicht angeschlossen. Prüfen Sie bitte, ob die beiden Enden der Kabel gut eingesteckt worden sind. Schlechter Kontakt. Räumen Sie bitte die Aufladung zwischen der Basis und dem Roboter.
Der Apparat kann nicht auf die Basis zurückkehren.	Es gibt zu viel Hindernisse um der Basis. Setzen Sie die Basis ins Offene. Bitte reinigen Sie den Signalisierungsbereich der Auto-Entleerungsbasis. Das Bewegen des Roboters kann dazu führen, dass er sich neu positioniert oder seine Umgebung neu abbildet. Wenn der Roboter zu weit von der Auto-Entleerungsbasis entfernt ist, kann er möglicherweise nicht automatisch von selbst zurückkehren; in diesem Fall müssen Sie den Roboter manuell auf die Basis setzen.
Roboter arbeitet nicht einwandfrei	Schalten Sie den Roboter aus und dann wieder an.
Roboter gibt ein merkwürdiges Geräusch ab	Ein Fremdkörper könnte sich in der Hauptbürste, Seitenbürste oder einem der Räder verfangen haben. Schalten Sie den Roboter aus und entfernen Sie eventuell vorhandenen Schmutz.
Der Roboter reinigt nicht mehr wirksam, oder er hinterlässt Staub	Der Staubbehälter ist voll. Bitte reinigen Sie den Staubbehälter und die Staubaufnahme. Der Filter ist verstopft. Bitte reinigen Sie ihn. Ein Fremdkörper hat sich in der Hauptbürste verfangen. Bitte reinigen Sie diese.

Problemtyp	Lösung
Roboter kann nicht mit dem WLAN verbinden	Es besteht ein Problem mit der WLAN-Verbindung. Setzen Sie das WLAN zurück und laden Sie die neueste Version der Dreamehome App herunter. Versuchen Sie dann erneut, eine Verbindung herzustellen. Die Standortberechtigung ist nicht aktiviert. Bitte stellen Sie sicher, dass die Standortberechtigung auf der Dreamehome App geöffnet ist. Das WLAN-Signal ist schwach. Stellen Sie sicher, dass der Roboter sich in einem Bereich mit gutem WLAN-Empfang befindet. WLAN mit 5 GHz wird nicht unterstützt. Bitte stellen Sie sicher, dass Ihr Roboter mit einem 2,4 GHz WLAN verbunden ist. Der Benutzername oder das Kennwort des WLAN ist falsch. Bitte stellen Sie die korrekte Eingabe des Benutzernamens und Kennworts sicher.
Der Roboter führt die geplante Reinigung nicht aus	Der Akku des Roboters hat einen niedrigen Akkuladestand. Die planmäßige Reinigung wird nur dann begonnen, wenn der Roboter einen Ladestand von mindestens 15 % hat.
Verbraucht es Strom, den Roboter auf der Auto-Entleerungsbasis zu lassen, wenn er bereits voll geladen ist?	Wenn Sie den Roboter auf der Auto-Entleerungsbasis belassen, nachdem er vollständig aufgeladen wurde, verbraucht er nur sehr wenig Strom und trägt dazu bei, die optimale Akkuleistung zu erhalten.
Aus dem Wisch-Modul kommt kein oder nur sehr wenig Wasser heraus	Vergewissern Sie sich, dass der Wassertank mit Wasser gefüllt ist, und reinigen Sie das Wischer-Pad, falls erforderlich. Reinigen Sie den Mopp, wenn er schmutzig wird. Vergewissern Sie sich, dass der Wischlappen entsprechend Gebrauchsanleitung korrekt angebracht ist. Das Luftloch auf dem Wassertank reinigen.
Der Roboter nimmt die Reinigung nach dem Aufladen nicht wieder auf	Vergewissern Sie sich, dass der Roboter sich nicht im Nicht-Stören-Modus befindet, denn dieser verhindert eine Fortsetzung der Reinigung. Der Roboter nimmt die Reinigung nicht wieder auf, wenn er manuell aufgeladen oder auf die Auto-Entleerungsbasis gestellt wird.

Problemtyp	Lösung
Roboter kehrt zur Auto-Entleerungsbasis zurück, ohne Staubsammelaufgaben durchzuführen	Der Modus "Nicht stören" verhindert, dass der Roboter automatisch Staubsammelaufgaben durchführt.
Der Staubsammelbeutel ist voll	Prüfen Sie, ob der Staubsammelbeutel voll ist. Wenn ja, ersetzen Sie ihn durch einen neuen. Es wird empfohlen, den Beutel alle 8-10 Wochen zu ersetzen. Wenn nicht, prüfen Sie, ob die Staubaufnahme oder der Luftkanal an der Unterseite der Basis verstopft ist. Entfernen Sie jede Verstopfung vor der Verwendung.
Die Staubsammeldauer kann manchmal inakzeptabel lang sein	Wenn der Roboter über einen längeren Zeitraum Staubsammelaufgaben durchgeführt hat oder wenn der Luftkanal nicht reibungslos funktioniert, wird die Staubsammeldauer verlängert, um eine Verstopfung zu verhindern.
Die obere Abdeckung der Basis lässt sich nicht schließen	Prüfen Sie, ob der Staubbeutel installiert wird. Wenn nein, installieren Sie einen.

Für weitere Dienstleistungen kontaktieren Sie uns bitte über [aftersales@dreame.tech](mailto:aftersales@dreame.tech)

Webseite: <https://global.dreametech.com>

## Spezifikationen

### Roboter

Modell	RLS6AD
Ladedauer	Ca. 6 Stunden
Nennspannung	14,4 V $\approx$
Bemessungsleistung	46 W
Betriebsfrequenz	2400-2483,5 MHz
Maximale Ausgangsleistung	< 20 dBm

### Auto-Entleerungsbasis

Modell	RCS2
Nenningang	220-240 V $\sim$ 50-60 Hz
Nennausgang	19,8 V $\approx$ 1 A
Bemessungsleistung	800 W

Unter normalen Einsatzbedingungen muss dieses Gerät einen Abstand von mindestens 20 cm zwischen der Antenne und dem Körper des Benutzers einhalten.

## Entsorgung und Entfernung von Batterien

Die eingebaute Lithium-Ionen-Batterie enthält umweltgefährdende Substanzen. Stellen Sie vor der Entsorgung der Batterie sicher, dass die Batterie von qualifizierten Technikern entfernt und in einer geeigneten Recyclinganlage entsorgt wird.

- die Batterie muss vor dem Verschrotten aus dem Gerät entfernt werden;
- das Gerät muss beim Ausbau der Batterie vom Netz getrennt werden;
- die Batterie muss sicher entsorgt werden.

### ACHTUNG:

- Bevor Sie den Akku entfernen, trennen Sie die Stromversorgung und lassen Sie den Akku komplett leer laufen.
- Nicht benötigte Batterien sollten in einer geeigneten Recyclinganlage entsorgt werden.
- Lassen Sie den Akku nicht in einer Umgebung mit extrem hohen Temperaturen, um Explosionsrisiken zu vermeiden.
- Unter missbräuchlicher Verwendung kann Flüssigkeit aus der Batterie ausgestoßen werden. Wenn Sie aus Versehen anfassen, spülen Sie mit Wasser und suchen Sie medizinische Hilfe.

### Informations DEEE



Alle mit diesem Symbol gekennzeichneten Produkte sind Elektroschrott und Elektrogeräte (WEEE entsprechend EU-Richtlinie 2012/19/EU) und dürfen nicht mit unsortiertem Haushaltsmüll vermischt werden. Schützen Sie stattdessen Ihre Mitmenschen und die Umwelt, indem Sie Ihre zu entsorgenden Geräte an eine dafür vorgesehene, von der Regierung oder einer lokalen Behörde eingerichtete Sammelstelle zum Recycling von Elektroschrott und Elektrogeräten bringen. Eine ordnungsgemäße Entsorgung und Recycling helfen, negative Auswirkungen auf die Gesundheit von Umwelt und Menschen zu vermeiden. Wenden Sie sich bitte an den Installateur oder lokale Behörden, um Informationen zum Standort und den allgemeinen Geschäftsbedingungen solcher Sammelstellen zu erhalten.

### Anleitung zum Entfernen

1. Drehen Sie den Roboter um, entfernen Sie mit einem geeigneten Werkzeug die Schrauben auf der Rückseite des Roboters und entfernen Sie dann die Abdeckung.
2. Ziehen Sie die Klemmen zwischen der Batterie und der Leiterplatte ab, um die Batterie zu entfernen.

### Entsorgung von Elektro- und Elektronikgeräten



Die durchgestrichene Mülltonne bedeutet, dass Sie gesetzlich verpflichtet sind, diese Geräte einer vom unsortierten Siedlungsabfall getrennten Erfassung zuzuführen. Die Entsorgung über die Restmülltonne oder die gelbe Tonne ist untersagt. Enthalten die Produkte Batterien oder Akkus, die nicht fest verbaut sind, müssen diese vor der Entsorgung entnommen und getrennt als Batterie entsorgt werden.

### Möglichkeiten der Rückgabe von Altgeräten

Besitzer von Altgeräten können diese im Rahmen der durch öffentlich-rechtlichen Entsorgungsträger eingerichteten und zur Verfügung stehenden Möglichkeiten der Rückgabe oder Sammlung von Altgeräten abgeben, damit eine ordnungsgemäße Entsorgung der Altgeräte sichergestellt ist. Unter dem folgenden Link besteht die Möglichkeit, sich ein Onlineverzeichnis der Sammel- und Rücknahmestellen anzuzeigen zu lassen: <https://www.ear-system.de/ear-verzeichnis/sammel-und-ruecknahmestellen>

### Datenschutz

Wir weisen alle Endnutzer von Elektro- und Elektronikaltgeräten darauf hin, dass Sie für das Löschen personenbezogener Daten auf den zu entsorgenden Altgeräten selbst verantwortlich sind.

## Informations sur la sécurité

FR

Pour éviter tout risque de choc électrique, d'incendie ou de blessure causé par une utilisation incorrecte de l'appareil, veuillez lire attentivement le manuel d'utilisation avant d'utiliser l'appareil et le conserver pour pouvoir vous y référer ultérieurement.

### Restrictions d'utilisation

- Ce produit ne doit pas être utilisé par des enfants de moins de 8 ans ni par des personnes présentant un handicap moteur, sensoriel ou mental, ou ayant une expérience ou des connaissances limitées, sans la supervision d'un parent ou d'un tuteur afin de garantir un fonctionnement sûr et d'éviter tout risque. Le nettoyage et l'entretien ne doivent pas être effectués par des enfants sans surveillance.
- Les enfants ne doivent pas jouer avec ce produit. Pendant le nettoyage, assurez-vous que les enfants et les animaux de compagnie sont maintenus à une distance de sécurité du robot aspirateur.
- Si le cordon d'alimentation est endommagé ou rompu, cessez immédiatement de l'utiliser et contactez le service après-vente.
- Ce produit est uniquement destiné au nettoyage des sols dans un environnement domestique. Ne l'utilisez pas à l'extérieur, sur des surfaces autres que des sols ou dans un environnement commercial ou industriel.
- N'utilisez pas le robot dans une zone située au-dessus du niveau du sol sans barrière de protection.
- Ne placez pas le robot à l'envers. N'utilisez pas le couvercle du LDS, le couvercle du robot ou le pare-chocs comme poignée pour déplacer le robot.
- N'utilisez pas le robot dans des environnements où la température ambiante est supérieure à 40° C ou inférieure à 0° C, ni sur un sol avec des liquides ou des substances collantes.
- Retirez tous les câbles au sol avant d'utiliser le robot pour éviter qu'il ne les entraîne dedans pendant le nettoyage.
- Retirez tous les objets fragiles ou de petite taille au sol afin d'éviter que le robot ne les percute ou ne les endommage.

## Informations sur la sécurité

### Restrictions d'utilisation

- Pour éviter d'endommager l'appareil ou de le traîner, débarrassez le sol de tout objet mobile et retirez les câbles ou les cordons d'alimentation qui se trouvent sur le trajet de nettoyage avant d'utiliser l'appareil.
  - Maintenez vos cheveux, vos doigts et les autres parties de votre corps éloignés de l'orifice d'aspiration du robot.
  - Conservez l'outil de nettoyage de brosse hors de la portée des enfants.
  - Ne mettez pas d'enfants, d'animaux ou d'objets sur le robot, qu'il soit à l'arrêt ou en mouvement.
  - N'utilisez pas le robot pour nettoyer des objets brûlants. N'utilisez pas le robot pour ramasser des liquides inflammables ou combustibles, des gaz corrosifs ou des acides ou solvants non dilués.
  - N'aspirez pas d'objets durs ou tranchants. N'utilisez pas l'appareil pour ramasser des objets tels que des pierres, de gros morceaux de papier ou tout autre élément susceptible d'obstruer l'appareil.
  - Assurez-vous que le robot est éteint et que la base auto-videuse est débranchée avant d'effectuer le nettoyage ou l'entretien.
  - N'utilisez pas de chiffon humide pour essuyer ou de liquide pour rincer le robot et la base. Les pièces lavables doivent être totalement séchées avant de les installer et de les utiliser.
  - Dans la mesure du possible, assurez-vous que le robot est éteint lorsque vous le transportez et rangez-le dans son emballage d'origine.
  - Veuillez utiliser ce produit conformément aux instructions du Mode d'emploi. Les utilisateurs sont responsables des pertes ou dommages résultant d'une mauvaise utilisation de ce produit.
- 
- N'utilisez pas de batterie, de chargeur ou de base auto-videuse tiers. N'utiliser que l'unité d'approvisionnement RCS2.

### Batteries et charge

FR



## Informations sur la sécurité

### Batteries et charge

- N'essayez pas de démonter, réparer ou modifier vous-même la batterie ou la base auto-vidieuse.
- Ne placez jamais la base auto-vidieuse près d'une source de chaleur.
- N'utilisez pas de chiffon humide, ni vos mains mouillées, pour essuyer ou nettoyer les contacts de la base auto-vidieuse.
- Ne jetez pas vos batteries usagées de façon incorrecte. Les batteries inutilisées doivent être jetées aux centres de recyclage appropriés.
- Si vous ne prévoyez pas d'utiliser le robot pendant une période prolongée, chargez-le complètement, éteignez-le, puis entreposez-le dans un endroit frais et sec. Rechargez le robot au moins une fois tous les 3 mois pour éviter un déchargement excessif de la batterie.
- Ce produit contient des batteries qui ne peuvent être remplacées que par des techniciens qualifiés ou par le service après-vente.

### Informations sur la sécurité liée à l'utilisation du laser

- Le capteur laser de ce produit est conforme à la norme CEI 60825-1 : 2014 relative aux produits laser de classe 1. Veuillez éviter tout contact direct avec les yeux pendant l'utilisation.

## Présentation du produit

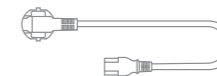
### Accessoires



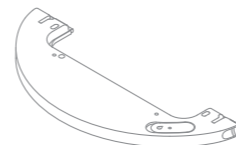
Outil de nettoyage



Brosse latérale



Câble d'alimentation



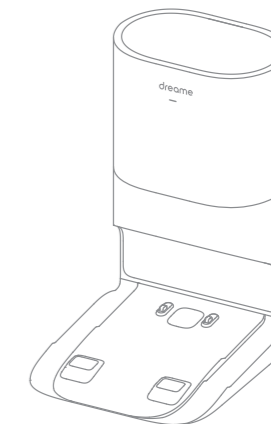
Réservoir d'eau



Serpillère



Sac de collecte des poussières (rechange)

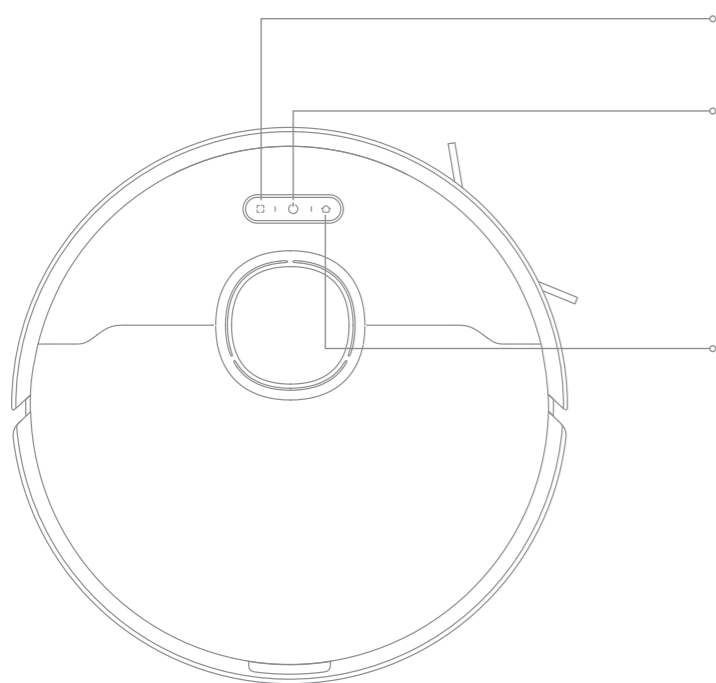


Base auto-vidieuse

## Présentation du produit

FR

Robot



Nettoyage local  
· Appuyez brièvement pour commencer le nettoyage local

Bouton d'alimentation/nettoyage  
· Appuyez sur cette touche pendant 3 secondes pour allumer ou éteindre le robot  
· Appuyez brièvement sur cette touche pour lancer le nettoyage après la mise en marche du robot

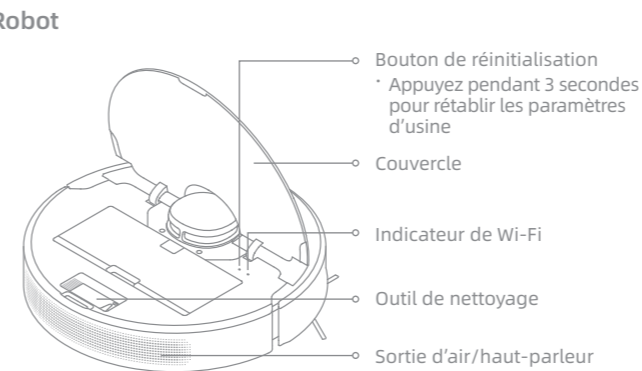
Bouton d'accueil  
· Appuyer pour renvoyer le robot au base auto-vidéuse  
· Appuyez et maintenez enfoncé pendant 3 secondes pour désactiver la sécurité enfant

Indicateur d'état  
· Blanc : nettoyage en cours ou terminé  
· Clignotant orange : erreur  
· Bleu : Surveillance de la caméra activée

## Présentation du produit

FR

Robot



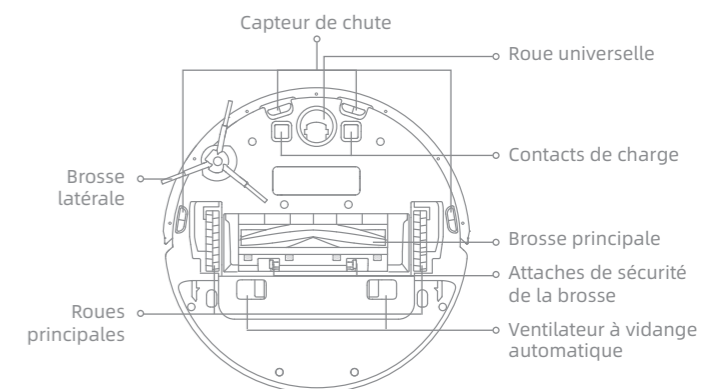
Bouton de réinitialisation  
· Appuyez pendant 3 secondes pour rétablir les paramètres d'usine

Couvercle

Indicateur de Wi-Fi

Outil de nettoyage

Sortie d'air/haut-parleur



Capteur de chute

Roue universelle

Contacts de charge

Brosse latérale

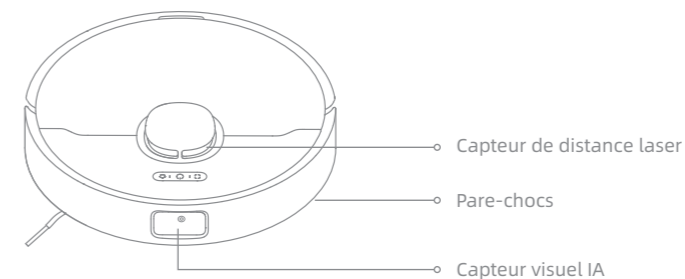
Brosse principale

Attaches de sécurité de la brosse

Ventilateur à vidange automatique

Roues principales

Capteurs du robot



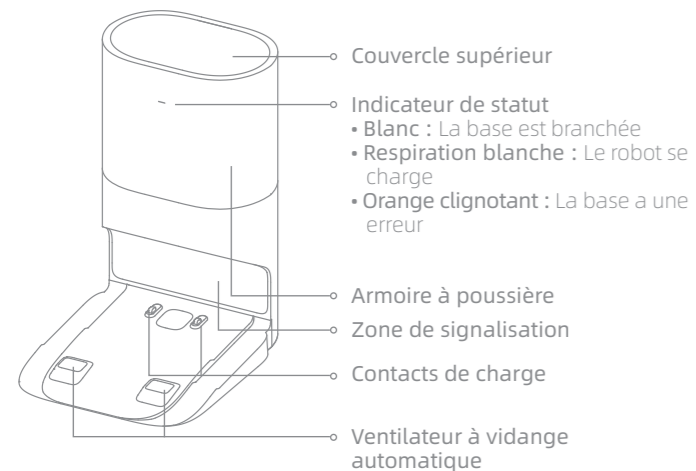
Capteur de distance laser

Pare-chocs

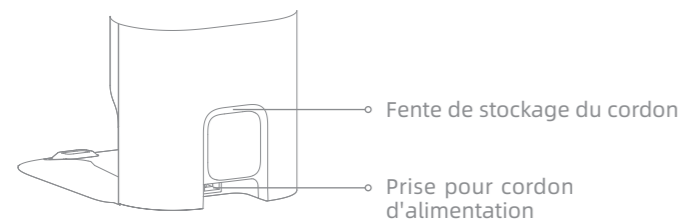
Capteur visuel IA

## Présentation du produit

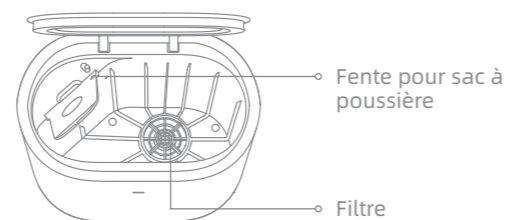
### Base auto-videuse



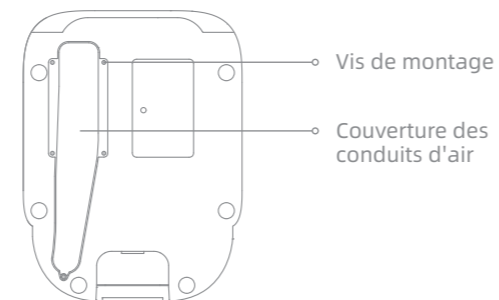
### Retour



### Ouvrez le couvercle supérieur

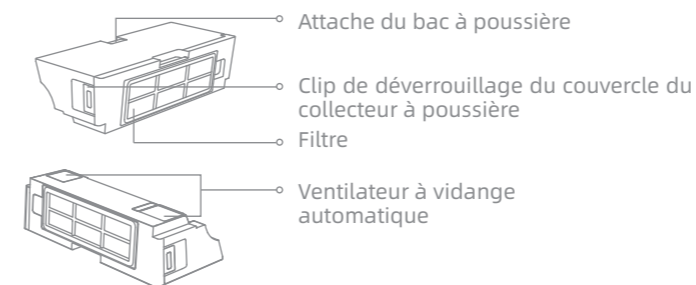


### En bas

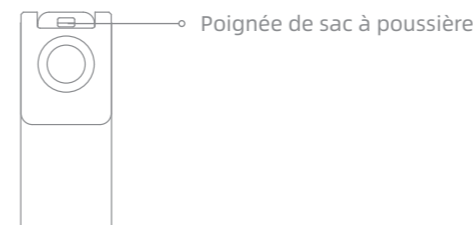


## Présentation du produit

### Poubelle

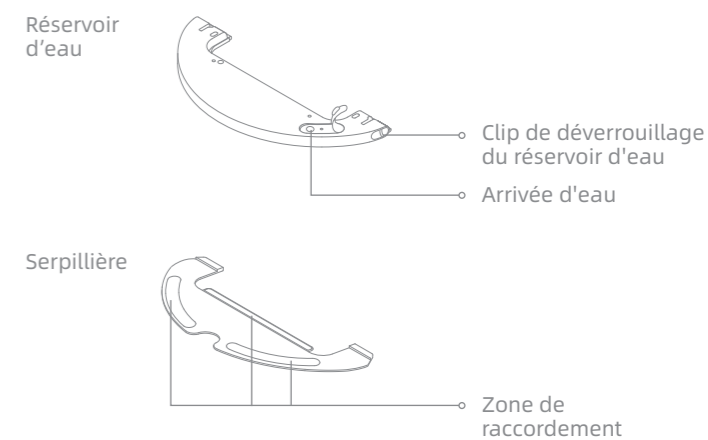


### Sac de collecte des poussières

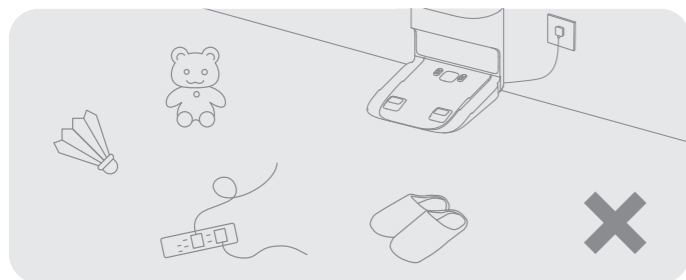


**Note :** En raison du réglage en usine, un nouveau sac de collecte de poussière a déjà été installé à l'intérieur.

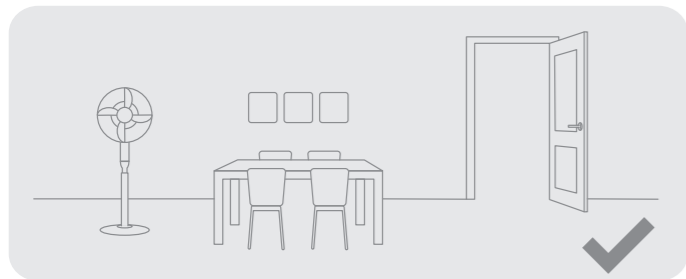
### Module de nettoyage



## Préparation de votre maison



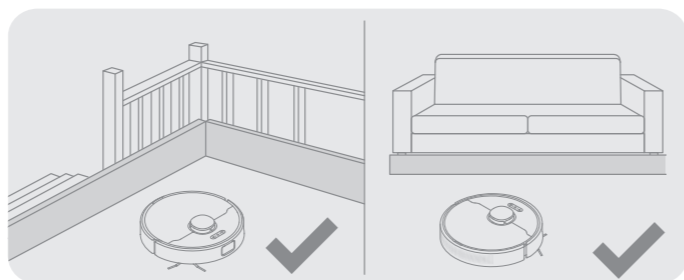
Rangez les objets tels que les cordons d'alimentation, les chiffons, les pantoufles et les jouets pour améliorer l'efficacité du robot.



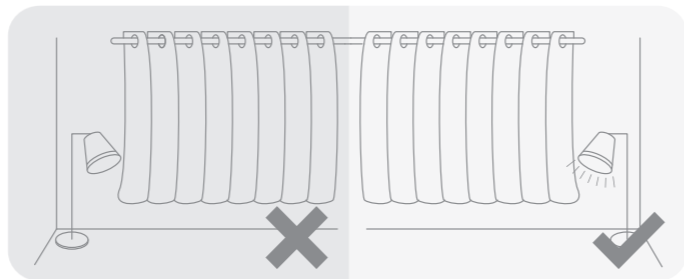
Ouvrez la porte de la pièce à nettoyer, et rangez les meubles dans un endroit approprié pour faire plus de place.

### Remarque :

- lorsque vous utilisez le robot pour la première fois, suivez-le pendant le nettoyage afin d'éliminer tout obstacle potentiel à l'avance.
- Pour éviter que le robot ne reconnaisse pas la zone à nettoyer, ne restez pas devant le robot, sur le palier, dans le couloir ou dans les endroits étroits.



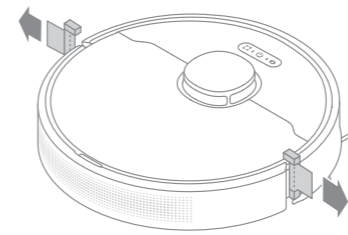
Veuillez utiliser des clôtures physiques pour éviter les zones suspendues ou basses avant le nettoyage afin d'assurer la sécurité et le bon fonctionnement du robot.



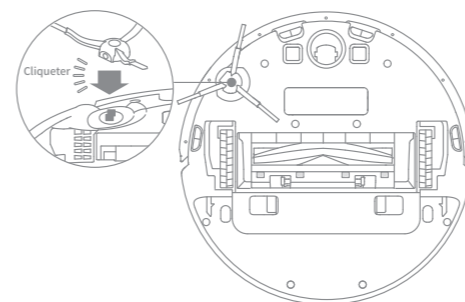
Avec le capteur visuel AI, le robot peut mieux reconnaître et éviter les obstacles tels que les cordons d'alimentation, les chaussures et les chaussettes. Pour tirer le meilleur parti du capteur visuel AI, assurez-vous que toutes les zones à nettoyer sont bien éclairées.

## Avant l'utilisation

### 1. Retirez les bandes de protection



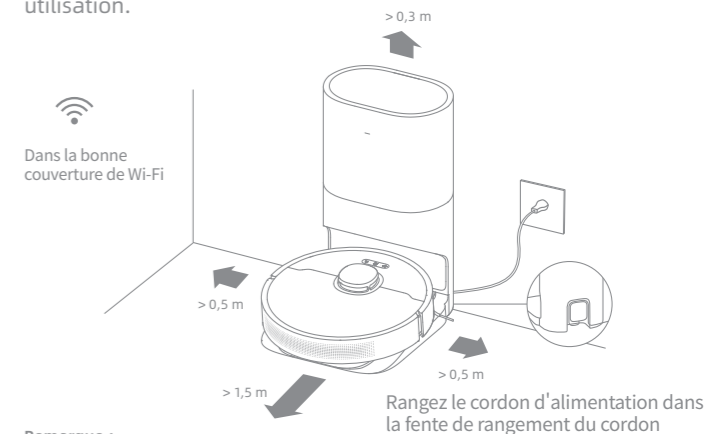
### 2. Installer la brosse latérale



**Remarque :** installez la brosse latérale jusqu'à ce qu'elle s'enclenche en place.

### 3. Brancher sur une prise de courant

Placez la base sur un sol plat contre le mur et branchez l'alimentation. Placez le robot sur la base pour le recharger. Le robot va s'allumer alors automatiquement et se rechargera. Il est recommandé de le charger pleinement avant la première utilisation.



### Remarque :

- Assurez-vous qu'il y a une distance de 0,5 mètre ou plus de chaque côté de la base, et une distance de plus de 1,5 mètre devant celle-ci.
- Assurez-vous qu'aucun objet ne puisse bloquer la zone de signalisation.

### Infos sur la base auto-videuse

Il est recommandé que le robot parte de la base avant le nettoyage. Cela permet de s'assurer que le robot y retourne en douceur. Ne déplacez pas la base pendant que le robot est en train de nettoyer.

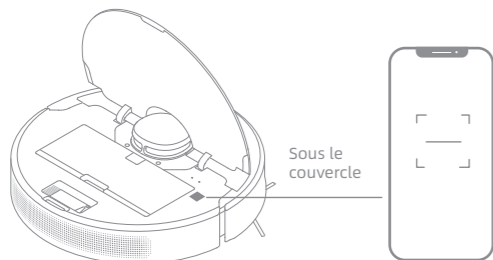
Une fois que le robot a terminé la tâche de nettoyage et revient automatiquement à la base, cette dernière commencera à se vider automatiquement. Vous pouvez effectuer d'autres réglages sur l'APP.

# Connexion avec Dreamehome App

Ce produit fonctionne avec l'application Dreamehome, afin de contrôler votre appareil.

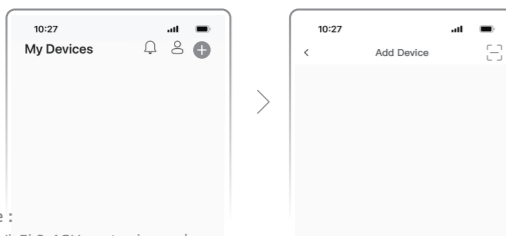
## 1. Téléchargez l'application Dreamehome

Scannez le code QR sur le robot, ou recherchez "Dreamehome" dans la boutique d'applications pour télécharger et installer l'application en fonction de vos besoins.



## 2. Ajouter un appareil



Ouvrez l'application Dreamehome, appuyez sur "+" en haut à droite, et scannez à nouveau le code QR ci-dessus pour ajouter "DreameBot D10s Plus". Veuillez suivre les instructions pour terminer la connexion Wi-Fi.

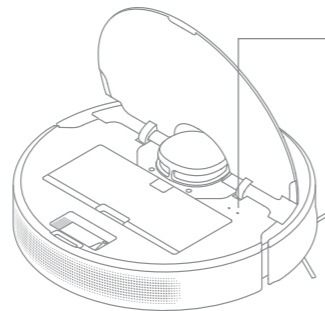


Remarque :

- Seul le Wi-Fi 2,4GHz est pris en charge.
- Le logiciel de l'application est en cours de mise à jour, les opérations réelles peuvent être différentes des instructions dans ce manuel. Veuillez suivre les instructions en fonction de la version actuelle de l'application.

## 3. Réinitialiser le Wi-Fi

Maintenez simultanément les touches  et  enfoncées jusqu'à ce que vous entendiez le message « En attente de la configuration réseau ». Lorsque le voyant du Wi-Fi clignote lentement, alors le Wi-Fi a été réinitialisé avec succès.



Indicateur de Wi-Fi

- Clignote lentement : En recherche de connexion
- Clignote rapidement : connexion en cours
- Allumé : connecté



Remarque : lorsque votre téléphone ne parvient pas à se connecter au robot, réinitialisez le Wi-Fi et ajoutez à nouveau l'appareil.

# Mode d'utilisation


## 1. Cartographie rapide

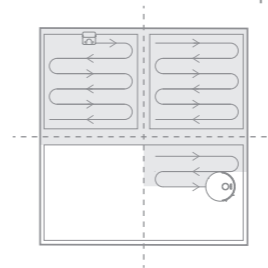
Après avoir configuré le réseau pour la première fois, suivez les instructions de l'application pour créer rapidement une carte, et le robot commencera à cartographier sans nettoyage. Lorsque le robot revient à la base, le processus de cartographie est terminé et la carte est enregistrée automatiquement.

## 2. Allumer/éteindre

Appuyez sur le bouton  et maintenez-le enfoncé pendant 3 secondes pour allumer le robot, et le voyant d'alimentation est allumé en permanence. Placez le robot sur la base, et le robot s'allume automatiquement et commence à se charger. Pour éteindre le robot, éloignez-le de la base, puis appuyez sur le bouton  et maintenez-le enfoncé pendant 3 secondes.

## 3. Commencer le nettoyage

Appuyez brièvement sur le bouton  pour commencer le nettoyage après la mise en marche du robot. Ensuite, le robot tracera avec précision un itinéraire, nettoiera méthodiquement le long des bords et des murs, puis finira par nettoyer chaque pièce en forme de S pour assurer un travail complet.



## 4. Pause / Veille

Lorsque le robot fonctionne, appuyez sur tout bouton pour le mettre en pause. Si le robot est mis en pause pendant plus de 10 minutes, il passe automatiquement en mode sommeil. Tous les indicateurs du robot s'éteignent. Appuyez sur n'importe quel bouton du robot, ou utilisez l'application pour réveiller le robot.

Remarque :

- Le robot s'éteint automatiquement s'il reste en mode veille pendant plus de 12 heures.
- Lorsque le robot est en pause, vous mettez fin au nettoyage en cours si vous le replacez sur la base.


## 5. Mode Ne pas déranger (DND)

Lorsque le robot est réglé en mode Ne pas déranger (DND), le robot ne peut pas reprendre le nettoyage et le voyant d'alimentation s'éteint. Le mode DND est désactivé par défaut en usine. Vous pouvez utiliser l'application pour activer le mode DND ou modifier la période de DND. La période de mise en veille est de 22:00-8:00 par défaut.

Remarque :

- Les tâches de nettoyage programmées seront effectuées à l'heure pendant la période de mise en veille.
- Le robot reprend le nettoyage du point où il s'est arrêté après l'expiration de la période de mise en veille.

## 6. Nettoyage local

Lorsque le robot est en veille, appuyez brièvement sur le bouton  pour activer le mode de nettoyage local. Dans ce mode, le robot nettoie une zone de forme carrée de 1,5 x 1,5 mètre autour de lui et revient à son point de départ une fois le nettoyage local terminé.

## Mode d'utilisation

### 7. Nettoyage programmé

Vous pouvez programmer l'heure de nettoyage dans l'APP Dreamehome. Le robot commencera automatiquement le nettoyage à l'heure programmée, puis retournera à la base pour se recharger lorsque le nettoyage sera terminé.

### 8. Plus de fonctionnalités concernant l'APP

Suivez les instructions sur l'interface de l'APP pour utiliser plus de fonctions. La version de l'application pourrait avoir été mise à jour, veuillez suivre les instructions de la version actuelle de l'application.

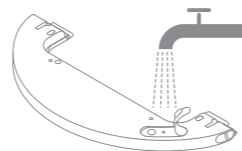
### 9. Utilisation de la fonction de nettoyage

Il est recommandé de passer l'aspirateur au moins trois fois sur tous les sols avant la première session de nettoyage afin d'obtenir un meilleur effet de nettoyage.

1) Humidifiez la serpillière et essorez de l'eau. Installez le tampon comme indiqué sur le schéma.




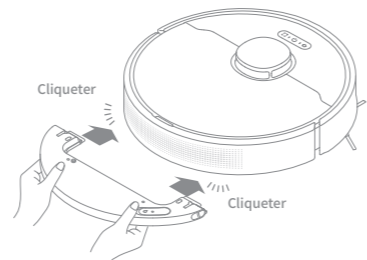
2) Remplissez le réservoir d'eau.



#### Remarque :

- N'utilisez pas de produits de nettoyage ou de désinfectants.
- Ne remplissez pas l'appareil avec de l'eau chaude, ce qui pourrait déformer le réservoir d'eau.

3) Aligned le module de nettoyage en suivant la flèche, puis faites-le glisser à l'arrière du robot jusqu'à ce que vous entendiez le clic. Appuyez sur le bouton  ou utilisez l'application Dreamehome pour commencer le nettoyage.



#### Remarque :

- Il n'est pas recommandé d'utiliser la fonction de nettoyage sur les tapis.
- Utilisez l'application pour ajuster le débit d'eau selon vos besoins.

## Maintenance de routine

### Pièces

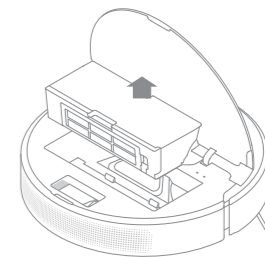
Pour maintenir le robot en bon état, il est recommandé de consulter le tableau suivant pour l'entretien courant.

Pièces	Fréquence d'entretien	Fréquence de remplacement
Serpillère	Après chaque utilisation	Tous les 3 à 6 mois
Brosse principale	Une fois toutes les 2 semaines	Tous les 6 à 12 mois
Filtre du sac à poussière		Tous les 3 à 6 mois
Brosse latérale	Une fois par mois	/
La zone de signalisation de la base d'auto-videuse		
Contacts de charge		
Ventilateur à vidange automatique		
Roue universelle		
Capteur de distance laser		
Capteur visuel IA		
Capteur de chute		
Réservoir d'eau	Nettoyez si nécessaire	/
Poubelle		
Sac de collecte des poussières	/	8 à 10 semaines

**Remarque :** la fréquence de remplacement dépend de l'utilisation que vous faites du robot. Si une exception se produit en raison de circonstances particulières, les pièces doivent être remplacées.

### Nettoyez le bac à poussière et le filtre

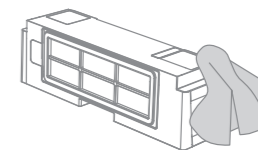
1. Ouvrez le couvercle du robot et appuyez sur l'attache du bac à poussière pour le retirer.



2. Ouvrez le couvercle du bac et videz le bac comme indiqué sur le schéma.

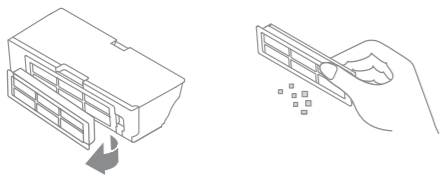


3. Nettoyez l'évent de la base d'auto-videuse.



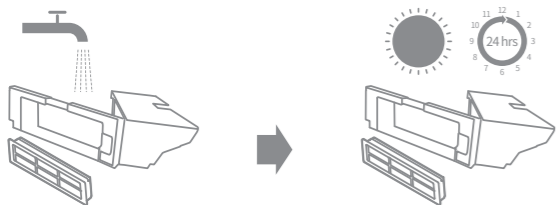
## Maintenance de routine

FR 4. Retirez le filtre et tapez doucement sur son panier.



Remarque : n'essayez pas de nettoyer le filtre avec une brosse, un doigt ou des objets pointus pour éviter de l'endommager.

5. Rincez le bac à poussière et le filtre à l'eau et séchez-les complètement avant de les réinstaller.

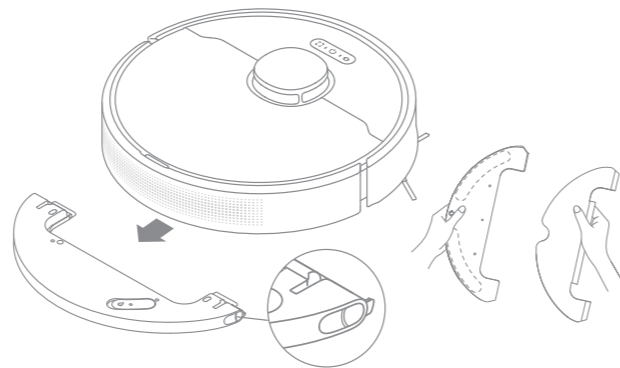


Remarque :

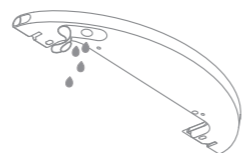
- Rincez le bac à poussière et le filtre à l'eau claire uniquement. N'utilisez pas de détergent.
- N'utilisez le bac à poussière et le filtre que lorsqu'ils sont complètement secs.

## Nettoyez le module de nettoyage

1. Faites glisser les deux pinces de libération sur le côté du réservoir d'eau pour retirer le module de balayage, puis retirez le tampon du module de balayage.



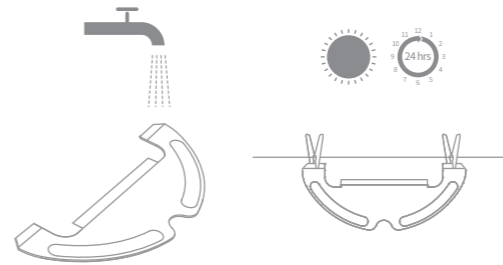
2. Videz l'eau restante du réservoir d'eau et gardez-le au sec naturellement.



Remarque : Ne pas exposer le réservoir directement au soleil.

## Maintenance de routine

3. Nettoyez la serpillière, puis séchez-la



Remarque :

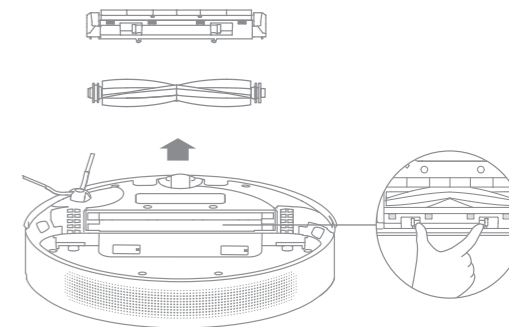
- Retirez la serpillière du module de lavage avant de la nettoyer et assurez-vous que l'eau sale ne retourne pas vers la sortie d'eau afin d'éviter tout colmatage.

4. Si vous remarquez que l'eau coule lentement ou que le volume n'est pas bien réparti, veuillez nettoyer le trou d'aération dans le couvercle du réservoir d'eau.

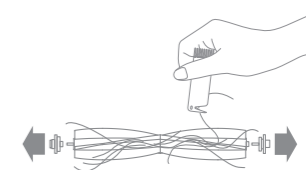


## Nettoyez la brosse principale

FR 1. Appuyez sur les clips de protection de la brosse vers l'intérieur pour retirer la protection de la brosse et soulever la brosse pour la sortir du robot.



2. Retirez les couvercles des brosses comme indiqué sur le schéma. Utilisez l'outil de nettoyage fourni pour retirer les cheveux emmêlés dans la brosse.



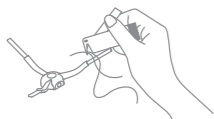
Remarque : Ne tirez pas excessivement fort sur les cheveux emmêlés dans la brosse. Sinon, la brosse principale risque d'être endommagée.

## Maintenance de routine

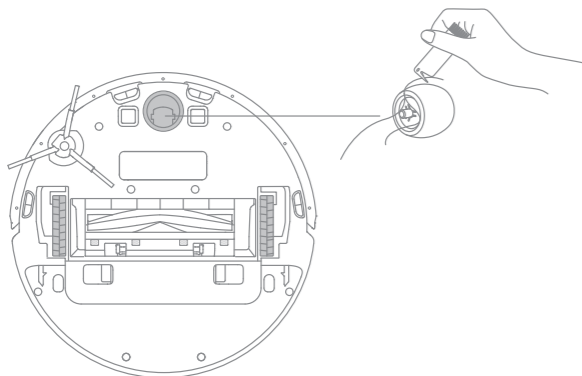
FR

### Nettoyer la brosse latérale

Sortez la brosse latérale et utilisez l'outil de nettoyage inclus pour enlever les cheveux emmêlés dans la brosse.



### Nettoyez la roue principale et la roue universelle



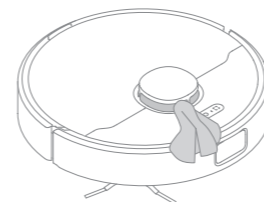
Remarque : Utilisez un outil tel qu'un petit tournevis pour séparer l'essieu et le pneu de la roue universelle.

## Maintenance de routine

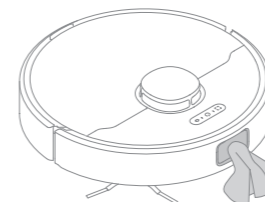
Remarque : Veuillez utiliser un torchon sec pour le nettoyage, l'eau pouvant endommager certains éléments sensibles à l'intérieur du robot et de la base.

FR

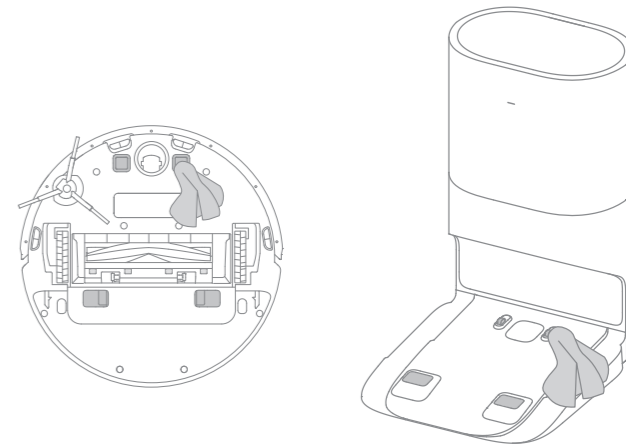
### Nettoyez le capteur laser LDS



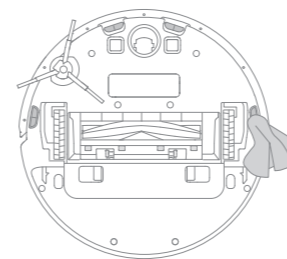
### Nettoyez le capteur visuel AI



### Nettoyer les contacts de charge et le ventilateur à vidange automatique



### Nettoyer le capteur de chute



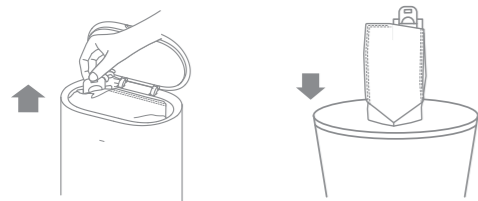


## Maintenance de routine

### Remplacer le sac de collecte des poussières

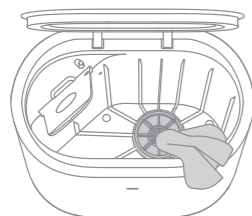
Selon l'indicateur d'état (orange clignotant) et les invites de l'application, remplacez-le par un nouveau lorsque le sac de collecte de la poussière est plein.

1. Jetez le sac de collecte des poussières.

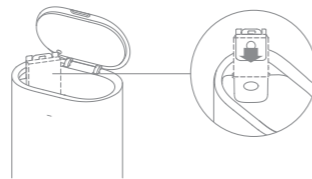


**Remarque :** lorsque vous sortez le sac à poussière, fermez la poignée du sac à poussière pour éviter que la poussière ne s'échappe.

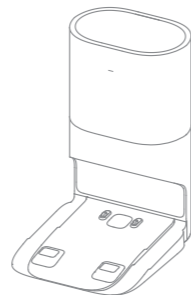
2. Essuyez le filtre avec un chiffon sec.



3. Installer un nouveau sac de collecte des poussières.



4. Fermez le couvercle supérieur de la base auto-vidieuse.



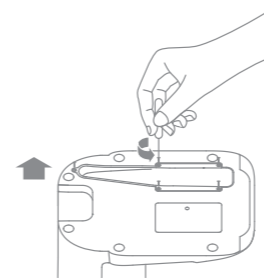
**Remarque :** Ne fermez pas la base avec force, si le sac de poussière n'est pas installé et le couvercle supérieur de la base ne peut pas être fermé.

## Maintenance de routine

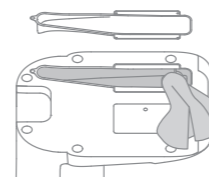
### Nettoyer le conduit d'air

Si le conduit d'air est obstrué, veuillez le nettoyer en suivant les étapes suivantes.

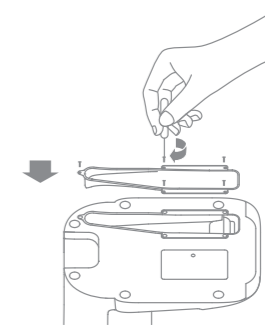
1. Dévissez les vis de fixation du couvercle du conduit d'air et retirez la plaque de couverture.





2. Vérifiez si le conduit d'air est bloqué par des objets étrangers. S'il y en a, nettoyez-les.



3. Réinstallez le couvercle du conduit d'air comme indiqué sur le schéma.



### Redémarrage du robot

Si le robot cesse de répondre ou ne peut pas être éteint, appuyez et maintenez le bouton  pendant 10 secondes pour l'éteindre de force. Ensuite, appuyez sur le bouton  et maintenez-le enfoncé pendant 3 secondes pour remettre le robot en marche.

### Batterie

Le robot contient une batterie lithium-ion haute performance. Veuillez vous assurer qu'il reste bien chargé pendant l'utilisation quotidienne pour garantir une performance optimale de la batterie. Si le robot n'est pas utilisé pendant une longue période, éteignez-le et rangez-le. Afin qu'il ne soit pas endommagé en raison d'une décharge excessive, le robot doit être rechargé au moins une fois tous les trois mois.

## FAQ

Type de problème	Solution
Le robot ne s'allume pas	Le niveau de la batterie est faible. Rechargez le robot à la base, puis réessayez. La température de la batterie est trop basse ou trop élevée. Il est recommandé de faire fonctionner l'appareil à une température entre 32 °F (0°C) et 104 °F (40°C).
Le robot ne charge pas	La base ne reçoit pas de courant. Veuillez vérifier que les deux extrémités du cordon d'alimentation sont correctement branchées. Mauvais contact. Nettoyez les contacts de chargement de la base et du robot.
Le robot ne peut pas retourner à la base	Il y a trop d'obstructions autour de la base. Placez la base dans une zone plus ouverte. Veuillez nettoyer la zone de signalisation de la base. Si vous déplacez le robot, il risque de se repositionner ou de re-cartographier son environnement. Si le robot est trop éloigné de la base, il peut ne pas pouvoir revenir automatiquement de lui-même, auquel cas vous devez placer manuellement le robot sur la base.
Le robot ne fonctionne pas correctement	Éteignez-le robot, puis rallumez-le.
Le robot émet un bruit étrange	Un objet étranger est probablement coincé dans la brosse principale, la brosse latérale ou l'une des roues principales. Arrêtez le robot et enlevez les débris.
Le robot ne nettoie plus correctement ou n'élimine pas toute la poussière	Le bac à poussière est plein. Veuillez nettoyer la poubelle et la prise de poussière. Le filtre est obstrué. Veuillez le nettoyer. Un objet étranger est coincé dans la brosse principale. Veuillez la nettoyer.

## FAQ

Type de problème	Solution
Le robot ne peut pas se connecter au Wi-Fi	Un problème avec la connexion Wi-Fi est survenu. Réinitialisez le Wi-Fi et téléchargez la dernière version de l'application Dreamehome, puis essayez de vous reconnecter. Le système de localisation n'est pas activé. Veuillez vous assurer que le système de localisation de l'application Dreamehome est activé. Le signal Wi-Fi est faible. Assurez-vous que le robot est dans une zone offrant un bon signal Wi-Fi. Le Wi-Fi à 5 GHz n'est pas pris en charge. Veuillez vous assurer que votre robot peut se connecter à un signal Wi-Fi 2,4 GHz. Le nom d'utilisateur ou le mot de passe du Wi-Fi est incorrect. Veuillez vous assurer que le nom d'utilisateur et le mot de passe saisis sont corrects.
Le robot n'effectue pas le nettoyage programmé	Le niveau de batterie du robot est faible. Le nettoyage programmé ne commence pas tant que le robot ne dispose pas d'au moins 15 % de batterie.
Le fait de laisser le robot sur la base consomme-t-il de l'énergie s'il est déjà complètement chargé ?	Laisser le robot sur la base une fois qu'il est complètement chargé consomme très peu d'électricité et permet de maintenir une performance optimale de la batterie.
Peu d'eau, voire pas du tout ne sort du module de nettoyage ?	Vérifiez que le réservoir d'eau est rempli et nettoyez la serpillière, le cas échéant. Nettoyez la serpillière si elle est sale. Assurez-vous que la serpillière est bien installée conformément au mode d'emploi. Nettoyez le trou d'air du réservoir d'eau.
Le robot ne reprend pas le nettoyage après la charge	Assurez-vous que le robot n'est pas en mode Ne pas déranger, car cela l'empêcherait de reprendre le nettoyage. Le robot ne reprend pas le nettoyage lorsqu'il est rechargé manuellement ou placé sur la base.

Type de problème	Solution
Le robot retourne sur la base sans effectuer de tâches de dépoussiérage	Le mode "Ne pas déranger" empêche le robot d'effectuer automatiquement des tâches de dépoussiérage.
Le sac de dépoussiérage est plein	Vérifiez si le sac de collecte des poussières est plein. Si c'est le cas, remplacez-le par un nouveau sac. Il est recommandé de remplacer le sac toutes les 8 à 10 semaines. Si ce n'est pas le cas, vérifiez si l'entrée de poussière ou le conduit d'air au fond de la base est bloqué. Enlevez tout blocage avant l'utilisation.
La durée de dépoussiérage peut parfois être inacceptablement longue.	Lorsque le robot a effectué des tâches de dépoussiérage pendant un certain temps, ou lorsque le conduit d'air ne fonctionne pas correctement, la durée de dépoussiérage sera prolongée pour éviter tout blocage.
Le couvercle supérieur du base ne peut pas être fermé	Vérifiez si un sac de collecte des poussières est installé. Si ce n'est pas le cas, installez-en un.

Pour des services supplémentaires, veuillez nous contacter via [aftersales@dreame.tech](mailto:aftersales@dreame.tech)

Site Web : <https://global.dreametech.com>

## Spécifications

### Robot

Modèle	RLS6AD
Temps de Charge	Environ 6 heures
Tension nominale	14,4 V $\overline{\text{---}}$
Puissance nominale	46 W
Fréquence de fonctionnement	2400-2483,5 MHz
Puissance maximale en sortie	< 20 dBm

### Socle de charge

Modèle	RCS2
Entrée nominale	220-240 V~ 50-60 Hz
Sortie nominale	19,8 V $\overline{\text{---}}$ 1 A
Puissance nominale	800 W

Dans des conditions normales d'utilisation, cet équipement doit être maintenu à une distance d'au moins 20 cm entre l'antenne et le corps de l'utilisateur.



Points de collecte sur [www.quefairedemesdechets.fr](http://www.quefairedemesdechets.fr)  
Privilégiez la réparation ou le don de votre appareil !

## Mise au rebut et retrait de la batterie

FR

La batterie lithium-ion intégrée contient des substances dangereuses pour l'environnement. Avant de mettre la batterie au rebut, assurez-vous qu'elle est retirée par des techniciens qualifiés et mise au rebut dans un centre de recyclage approprié.

- la batterie doit être retirée de l'appareil avant d'être mise au rebut ;
- l'appareil doit être déconnecté du réseau électrique lors du retrait de la batterie ;
- la batterie doit être mise au rebut en toute sécurité.

### ATTENTION:

- Avant de retirer la batterie, débranchez l'appareil et videz la batterie autant que possible.
- Les batteries inutilisées doivent être mises au rebut dans un centre de recyclage approprié.
- Ne pas exposer à un environnement à haute température pour éviter les risques d'explosion.
- Dans des conditions abusives, un liquide peut être éjecté de la batterie. En cas de contact, rincez à l'eau et consultez un médecin.

### WEEE-Informationen



Tous les produits portant ce symbole deviennent des déchets d'équipements électriques et électroniques (DEEE dans la Directive européenne 2012/19/UE) qui ne doivent pas être mélangés aux déchets ménagers non triés. Vous devez contribuer à la protection de l'environnement et de la santé humaine en apportant l'équipement usagé à un point de collecte dédié au recyclage des équipements électriques et électroniques, agréé par le gouvernement ou les autorités locales. Le recyclage et la destruction appropriés permettront d'éviter tout impact potentiellement négatif sur l'environnement et la santé humaine. Contactez l'installateur ou les autorités locales pour obtenir plus d'informations concernant l'emplacement ainsi que les conditions d'utilisation de ce type de point de collecte.

### Guide de retrait

1. Retournez le robot, utilisez un outil approprié pour retirer les vis à l'arrière du robot, puis retirez le couvercle.
2. Débranchez les bornes entre la batterie et la carte PCB pour retirer la batterie.

## Informazioni di sicurezza

Per evitare scosse elettriche, incendi o lesioni causate da un uso improprio dell'apparecchio, per favore leggi attentamente il manuale utente prima di usare l'apparecchio e conservalo per riferimento futuro.

IT

### Restrizioni per l'utilizzo

- Questo prodotto non deve essere utilizzato da bambini di età inferiore a 8 anni, né da persone con deficit fisici, sensoriali, cognitivi, esperienza o conoscenza limitata, senza la supervisione di un genitore o tutore, al fine di garantire la sicurezza del funzionamento ed evitare eventuali rischi. La pulizia e la manutenzione non devono essere eseguite da bambini senza supervisione.
- Non consentire ai bambini di giocare con questo prodotto. Assicurarsi che bambini e animali domestici siano a distanza di sicurezza dal robot mentre è in funzione.
- Questo prodotto deve essere usato solo per pulire i pavimenti di casa. Non va usato all'esterno, su superfici diverse dai pavimenti o in ambito commerciale o industriale.
- Se il cavo di alimentazione viene danneggiato o è spezzato, interrompere immediatamente l'utilizzo e contattare il servizio di assistenza post-vendita.
- Non utilizzare il robot in un ambiente sospeso sopra il livello del suolo senza una barriera protettiva.
- Non posizionare il robot capovolto. Non usare la copertura LDS, la copertura del robot o il paraurti come maniglia per il robot.
- Non usare l'robot a una temperatura ambiente oltre i 40°C o al di sotto di 0°C o su pavimenti dove sono presenti liquidi o sostanze appiccicose.
- Togliere da terra eventuali cavi prima di utilizzare il robot, per evitare che vengano tirati durante la pulizia.
- Spostare dal pavimento gli oggetti fragili o piccoli per evitare che il robot li urti e li danneggi.
- Per evitare danni o danni causati dal trascinarsi, elimina eventuali oggetti sciolti

## Informazioni di sicurezza

### Restrizioni per l'utilizzo

- dal pavimento e rimuovi cavi o cavi di alimentazione sul percorso di pulizia prima di usare l'apparecchio.
- Tenere lontani capelli, dita e altre parti del corpo dalla boccola di aspirazione del robot.
- Tenere lo strumento per la pulizia della spazzola lontano dalla portata dei bambini.
- Non posizionare bambini, animali domestici o nessun altro oggetto sul robot, sia quando è fermo sia quando è in movimento.
- Non usare il robot per pulire eventuali sostanze infiammabili. Non usare il robot per raccogliere liquidi infiammabili o combustibili, gas corrosivi o acidi o solventi non diluiti.
- Non usare l'aspirapolvere su oggetti duri e taglienti. Non usare l'apparecchio per raccogliere oggetti come sassi, pezzi di carta grandi o qualsiasi altro oggetto che possa ostruire l'apparecchio.
- Accertarsi che il robot sia spento e che la base auto-vuota sia scollegata prima di pulire o effettuare operazioni di manutenzione.
- Non usare un panno umido per strofinare o qualsiasi liquido per risciacquare il robot e la base. Le parti lavabili devono essere completamente asciugate prima di installarle e usarle.
- Accertarsi che l'robot sia spento durante il trasporto e conservarlo nella sua confezione originale, se possibile.
- Utilizzare il prodotto seguendo le istruzioni fornite nel manuale utente. Gli utenti sono responsabili di eventuali perdite o danni derivanti dall'uso improprio dell'apparecchio.

## Informazioni di sicurezza

### Batterie e Ricarica

- Non utilizzare batterie, alimentatori o base auto-vuota non originali. Utilizzare soltanto con l'unità di alimentazione RCS2.
- Non tentare di smontare, riparare o modificare la batteria o la base auto-vuota da soli.
- Non posizionare la base auto-vuota vicino a fonti di calore.
- Non usare panni umidi o mani bagnate per strofinare o pulire i contatti della base auto-vuota.
- Non smaltire in modo improprio le batterie usate. Smaltire le batterie non più necessarie in appositi impianti di riciclaggio.
- Se l'robot non viene utilizzato per diverso tempo, ricaricarlo completamente, quindi spegnerlo e conservarlo in un posto fresco e asciutto. Ricaricare l'robot almeno una volta ogni 3 mesi per evitare uno scaricamento eccessivo della batteria.
- Questo prodotto contiene batterie che possono essere sostituite soltanto da tecnici qualificati o dal servizio di assistenza post-vendita.

### Informazioni di sicurezza sul laser

- Il sensore laser di questo prodotto soddisfa lo Standard IEC 60825-1: 2014 per i prodotti laser di Classe 1. Per favore evita il contatto visivo diretto con esso durante l'uso.

Par la présente, Dreame Trading (Tianjin) Co., Ltd. déclare que cet équipement radio de type RLS6AD est conforme à la Directive européenne 2014/53/UE. L'intégralité de la déclaration de conformité pour l'UE est disponible à l'adresse suivante: <https://global.dreameotech.com>  
Il manuale elettronico dettagliato è disponibile all'indirizzo <https://global.dreameotech.com/pages/user-manuals-and-faqs>

## Presentazione del prodotto

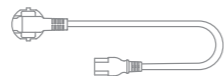
### Accessori



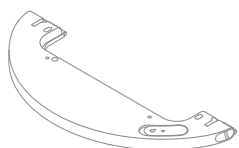
Strumento di pulizia



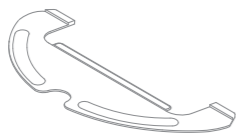
Spazzola laterale



Cavo di Alimentazione



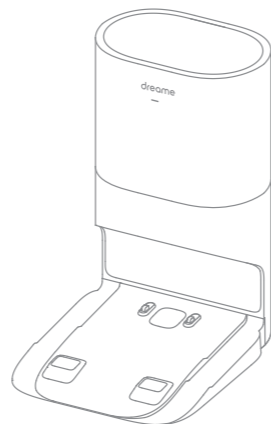
Serbatoio d'acqua



Mocio



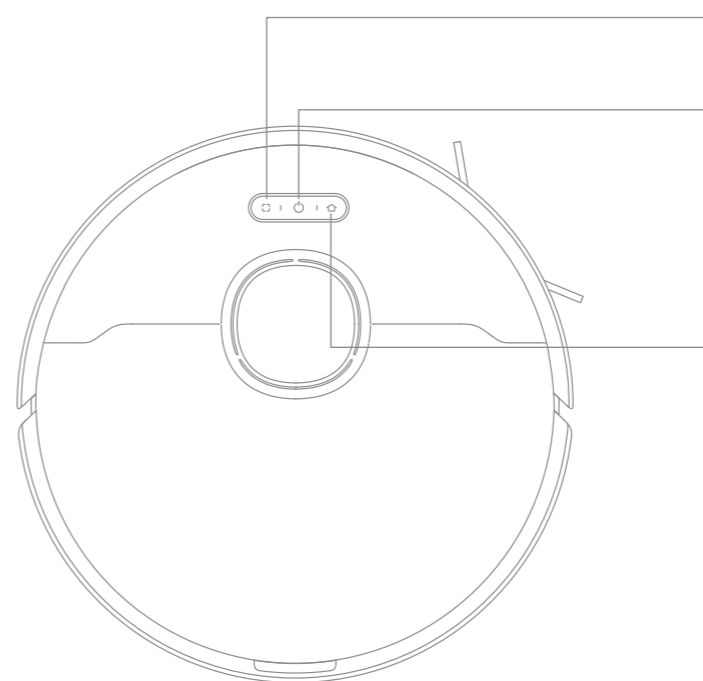
Sacchetto di raccolta della polvere (di ricambio)



Base auto-vuota

## Presentazione del prodotto

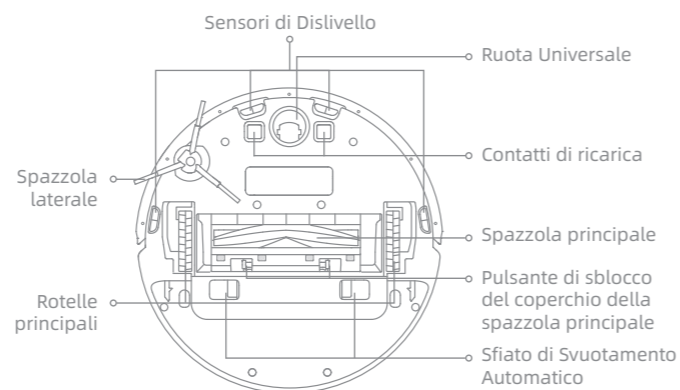
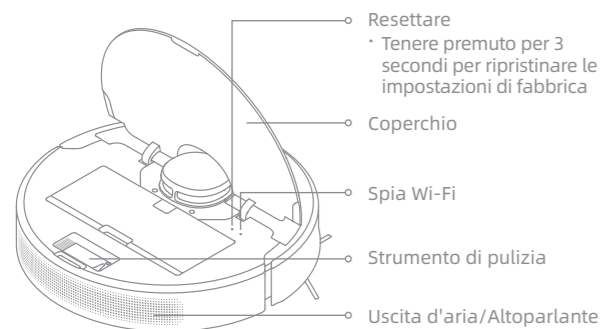
### Robot



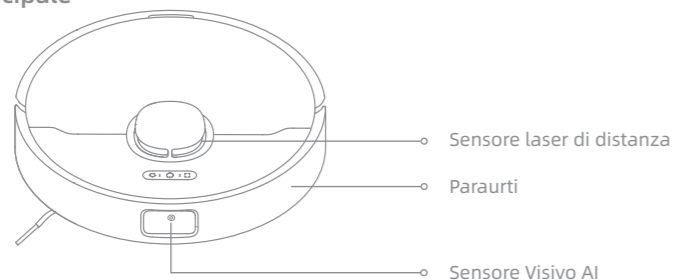
- Pulsante di Pulizia delle Macchie
    - Premi brevemente per avviare la pulizia delle macchie
  - Pulsante di accensione/spegnimento/pulizia
    - Premi e tieni premuto per 3 secondi per accendere o spegnere
    - Premi brevemente per avviare la pulizia dopo che il robot è acceso
  - Pulsante Dock
    - Premere il pulsante velocemente per attivare il ritorno in ricarica
    - Premi e tieni premuto per 3 secondi per disabilitare Blocco Bambini
- Indicatore di stato
- Luce bianca fissa: pulizia in corso o completa
  - Luce arancione lampeggia: errore
  - Blu: Monitoraggio della fotocamera abilitato

## Presentazione del prodotto

### Robot



### Sensore del dispositivo principale

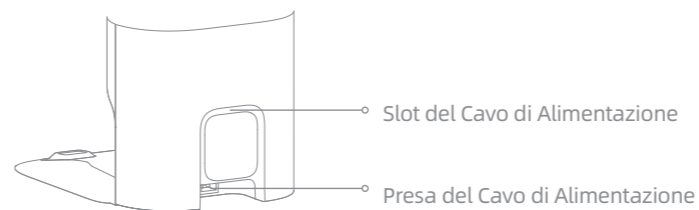


## Presentazione del prodotto

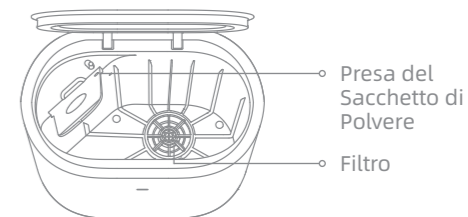
### Base auto-vuota



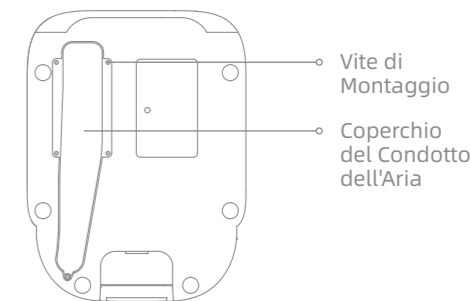
### Retro



### Aprire la copertura superiore

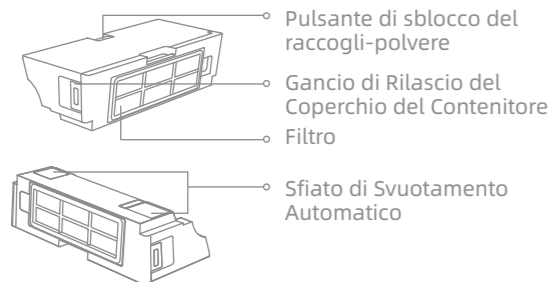


### Parte inferiore

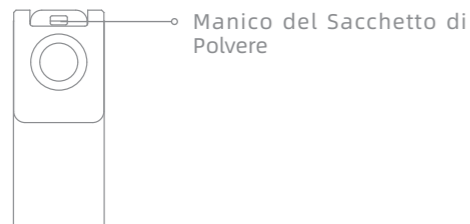


## Presentazione del prodotto

### Contenitore Raccogli-polvere

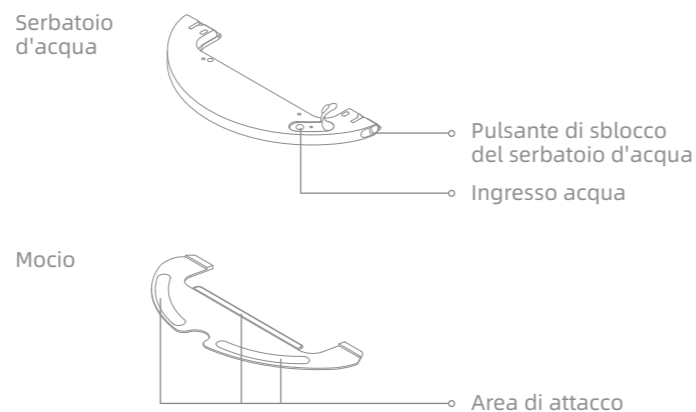


### Sacchetto di raccolta della polvere

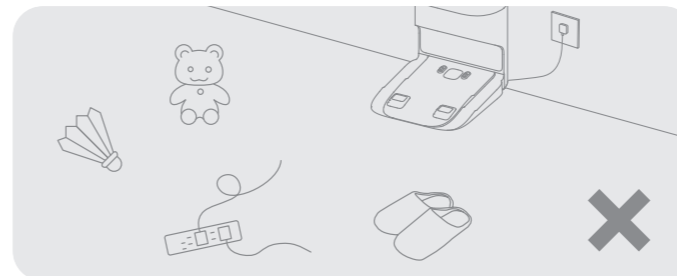


**Nota:** A causa dell'impostazione di fabbrica, all'interno è già stato installato un nuovo sacchetto di polvere.

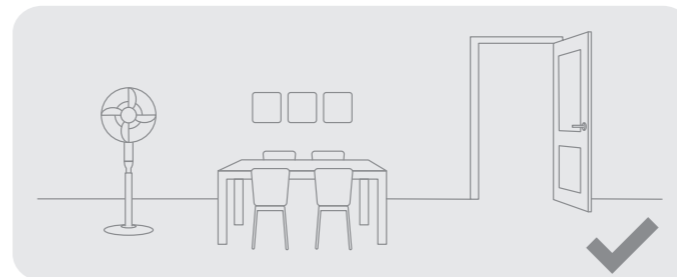
### Modulo di lavaggio



## Prepara la Tua Casa



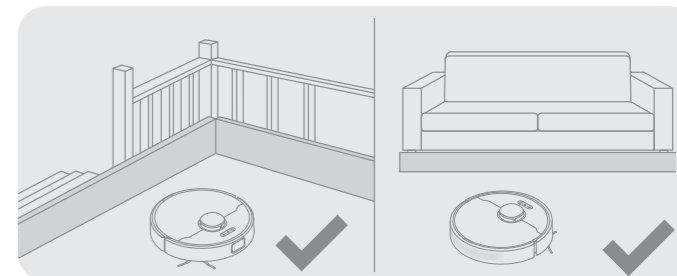
Riordina oggetti come cavi di alimentazione, panni, pantofole e giocattoli per migliorare l'efficienza del robot.



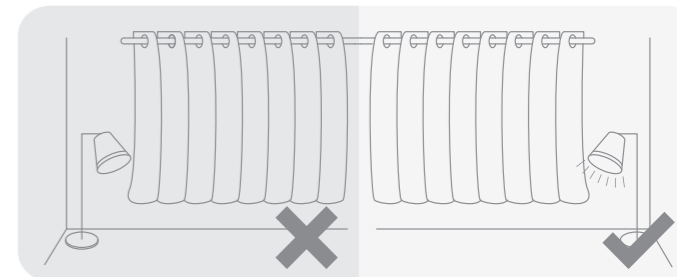
Aprire la porta della zona da pulire e mettere i mobili in posizione ordinata per lasciare uno spazio sufficiente.

#### Nota:

- Quando usi il robot per la prima volta, seguilo durante la pulizia per rimuovere eventuali ostacoli in tempo.
- Per evitare che il robot non riconosca l'area da pulire, non restare davanti al robot, alla soglia o al corridoio stretto.



Prima della pulizia, utilizzare una barriera fisica sul bordo delle scale e del divano per garantire un funzionamento sicuro e regolare del robot.

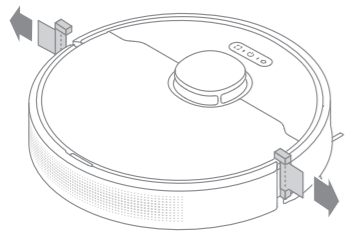


Con il sensore visivo AI, il robot può riconoscere ed evitare meglio ostacoli come cavi di alimentazione, scarpe e calze, per ottenere il massimo dal sensore visivo AI, assicurati che tutte le aree da pulire siano ben illuminate.

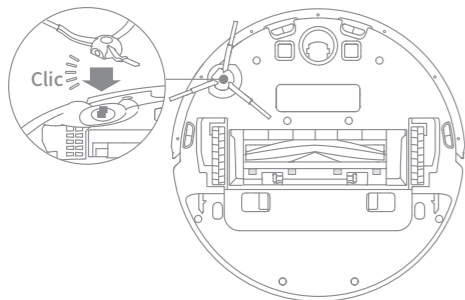


## Prima dell'Uso

### 1. Rimuovi le strisce protettive



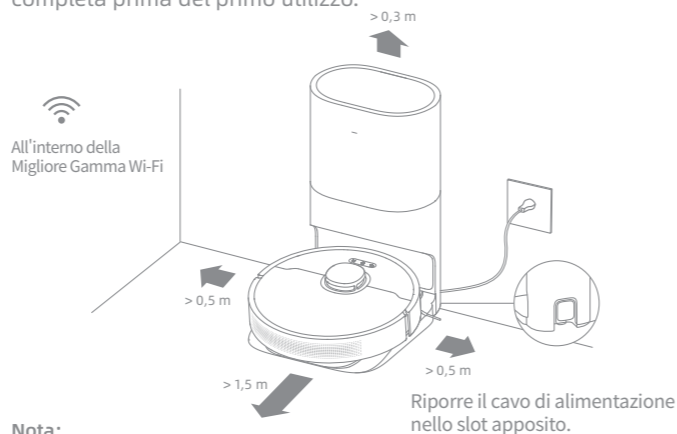
### 2. Installazione delle spazzole laterali



**Nota:** Installa la spazzola laterale finché non scatta in posizione.

### 3. Collegare a una presa di corrente

Posizionare la base sul pavimento a ridosso del muro e collegarla all'alimentazione. Posizionare il robot sulla base. Si accenderà e si ricaricherà automaticamente. Si consiglia di fare una ricarica completa prima del primo utilizzo.



#### **Nota:**

- Assicurarsi che non ci sia altri oggetti alla distanza di 0,5 metri su entrambi i lati e 1,5 metri alla parte anteriore della base.
- Assicurarsi che nessun oggetto possa bloccare l'area di segnalazione.

### Informazioni sulla base auto-vuota

Si consiglia di far partire il robot dalla base prima della pulizia. Ciò garantisce che il robot ritorni alla base senza problemi. Non spostare la base mentre il robot sta pulendo.

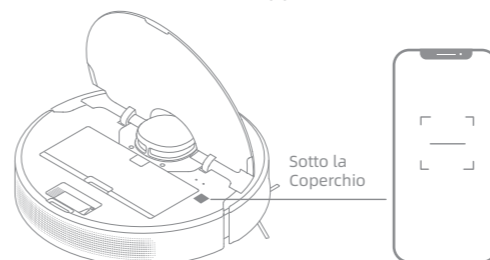
Dopo che il robot ha completato l'operazione di pulizia e torna automaticamente alla base, la base inizierà l'auto-svuotamento. È possibile utilizzare più impostazioni sull'APP.

## Connettiti con l'App Dreamehome

Questo prodotto funziona con l'app Dreamehome, che può essere usata per controllare il dispositivo.

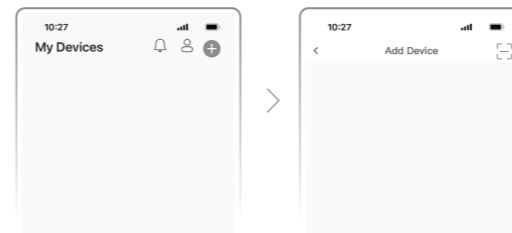
### 1. Scaricare l'App Dreamehome per la casa

Scansiona il codice QR sul robot o cerca "Dreamehome" nell'app store per scaricare e installare l'app in base alle tue esigenze.



### 2. Aggiungi dispositivo

Apri il Dreamehome, tocca "+" in alto a destra e scansiona nuovamente il codice QR sopra per aggiungere "DreameBot D10s Plus". Per favore segui le istruzioni per terminare la connessione Wi-Fi.

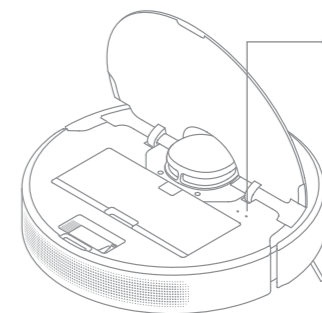


#### **Nota:**

- La connessione Wi-Fi supporta solo il segnale su banda 2,4 GHz.
- Il software dell'app è in fase di aggiornamento, le operazioni effettive potrebbero essere diverse dalle dichiarazioni in questo manuale. Per favore segui le istruzioni in base alla versione corrente dell'app.

### 3. Ripristino della connessione Wi-Fi

Aprire la coperchia per vedere la pia Wi-Fi, tenere premuto i pulsanti e fino a quando non si sente la voce che dice "Attende la configurazione della rete". Una volta che l'indicatore Wi-Fi lampeggia lentamente, il dispositivo principale è in modalità della connessione di rete.



#### **Spia Wi-Fi**

- Lampeggia lentamente: Attende la connessione
- Lampeggia velocemente: Si sta connettendo
- Acceso: Connesso



**Nota:** Quando il telefono non si connette con successo al robot, fai il reset del Wi-Fi e aggiungi nuovamente il dispositivo.

## Istruzioni utente


### 1. Mappatura Veloce

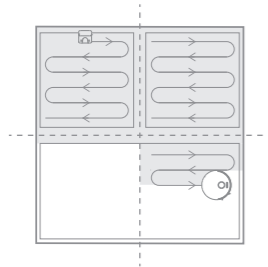
Dopo aver configurato la rete per la prima volta, segui le istruzioni sull'app per creare rapidamente una mappa e il robot inizierà a mappare senza pulizia. Quando il robot torna alla base, il processo di mappatura è stato completato e la mappa sarà salvata automaticamente.

### 2. Accensione/Spegnimento

Premi e tieni premuto il pulsante  per 3 secondi per accendere il robot e l'indicatore di alimentazione è permanentemente acceso. Posiziona il robot sulla base e il robot si accende automaticamente e inizia la ricarica. Per spegnere il robot, allontanalo dalla base e tieni premuto il pulsante  per 3 secondi.

### 3. Avvio pulizia

Premi brevemente il pulsante  per avviare la pulizia dopo che il robot è stato acceso. Quindi, il robot mapperà accuratamente un percorso, pulirà metodicamente lungo i bordi e le pareti, quindi finirà pulendo ogni stanza secondo uno schema a forma di S per garantire un lavoro accurato.



### 4. Pausa / Sonno

Quando il robot è in funzione, premi un pulsante qualsiasi per metterlo in pausa. Se il robot viene messo in pausa per più di 10 minuti, entra automaticamente in modalità di sospensione. Tutti gli indicatori sul robot si spegneranno. Premi un pulsante qualsiasi sul robot o usa l'app per svegliare il robot.

#### Nota:

- Il robot si spegnerà automaticamente se lasciato in modalità riposo per più di 12 ore quando non è in ricarica.
- Quando il dispositivo principale è in pausa, l'attività di pulizia terminerà se viene posizionato sulla base.


### 5. Modalità Non Disturbare (DND)

Quando il robot è impostato sulla modalità Non Disturbare (DND), al robot verrà impedito di riprendere la pulizia e l'indicatore di alimentazione si spegne. La modalità DND è disabilitata per impostazione predefinita in fabbrica. Puoi usare l'app per abilitare la modalità DND o modificare il periodo DND. Il periodo DND è 22: 00 - 8: 00 per impostazione predefinita.

#### Nota:

- I compiti di pulizia programmati verranno eseguiti in tempo durante il periodo DND.
- Il robot riprenderà la pulizia da dove era stata interrotta dopo la scadenza del periodo DND.

### 6. Pulizia delle Macchie

Quando il robot è in standby, premi brevemente il pulsante  per abilitare la modalità di pulizia delle macchie. In questa modalità, il robot pulisce un'area di forma quadrata di 1,5 x 1,5 metri intorno ad essa e torna al punto di partenza una volta completata la pulizia delle macchie.

## Istruzioni utente

### 7. Pulizia programmata

Puoi programmare il tempo di pulizia nell'app Dreamehome. Il robot inizierà la pulizia all'ora designata automaticamente e quindi tornerà alla base per ricaricarsi quando la pulizia è terminata.

### 8. Più funzioni nell'App

Segui le istruzioni sull'interfaccia dell'App per utilizzare più funzioni. La versione dell'app potrebbe essere stata aggiornata e si prega di seguire le istruzioni che fanno riferimento alla versione corrente.

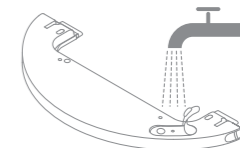
### 9. Usare la funzione di lavaggio

Si raccomanda di procedere all'aspirazione del pavimento almeno tre volte prima della prima sessione di lavaggio per avere una migliore pulizia.

1) Inumidire il panno di lavaggio e strizzare l'acqua in eccesso. Installa il mocio come mostrato nel diagramma.




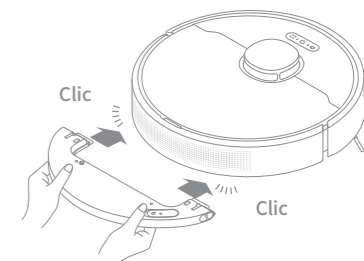
2) Riempi il serbatoio con acqua.



#### Nota:

- Non utilizzare detersivi o disinfettanti.
- Non riempire con acqua calda, che potrebbe causare la distorsione del serbatoio d'acqua.

3) Installare il serbatoio nel dispositivo, e farlo scorrere fino in fondo finché non scatta in posizione con un "clic". Premere il pulsante  oppure utilizzare l'app Dreamehome per avviare la pulizia.



#### Nota:

- Non è raccomandato usare la funzione di lavaggio sui tappeti.
- Usare l'app per regolare il flusso d'acqua a seconda della necessità.

## Manutenzione quotidiana

### Parti

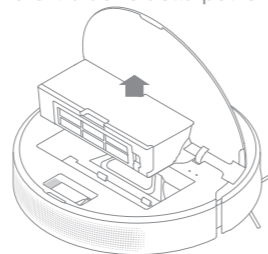
Per mantenere il robot in buone condizioni, si consiglia di fare riferimento alla tabella seguente per la manutenzione ordinaria.

Parte	Frequenza di Manutenzione	Frequenza di Sostituzione
Mocio	Dopo ogni uso	Ogni 3 - 6 mesi
Spazzola principale	Una volta ogni 2 settimane	Ogni 6 - 12 mesi
Filtro del Contenitore della Polvere		Ogni 3 - 6 mesi
Spazzola laterale		
Svuotamento automatico dell'area di segnalazione della base	Una volta ogni mese	/
Contatti di ricarica		
Sfiato di Svuotamento Automatico		
Ruota Universale		
Sensore laser di distanza		
Sensore Visivo AI		
Sensori di Dislivello		
Serbatoio d'acqua	Pulire secondo necessità	/
Contenitore Raccogli-polvere		
Sacchetto di raccolta della polvere	/	8 - 10 settimane

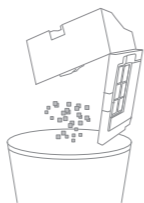
**Nota:** La frequenza di sostituzione dipenderà dal tuo utilizzo del robot. Se si verifica un'eccezione a causa di circostanze speciali, le parti devono essere sostituite.

### Pulizia del raccogli-polvere e del filtro

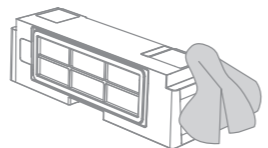
1. Apri il coperchio del robot e premi il gancio del contenitore della polvere per rimuovere il bidone della polvere.



2. Apri il coperchio del bidone e svuota il bidone come mostrato nel diagramma.

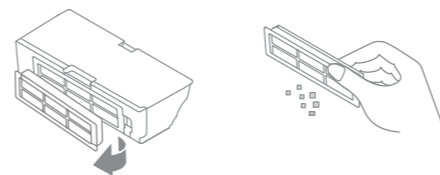


3. Pulire lo sfiato di svuotamento automatico.



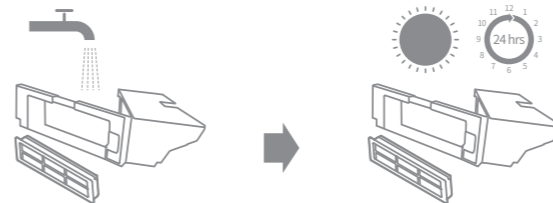
## Manutenzione quotidiana

4. Rimuovi il filtro e tocca delicatamente il suo cestello.



**Nota:** Non tentare di pulire il filtro con una spazzola, un dito o oggetti appuntiti per evitare danni.

5. Sciacqua il contenitore della polvere e il filtro con acqua e asciugali completamente prima di reinstallarli.

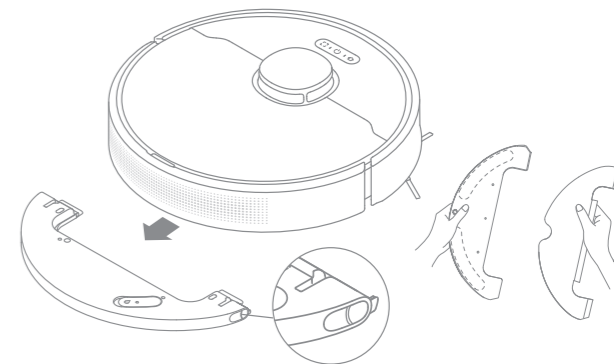


### Nota:

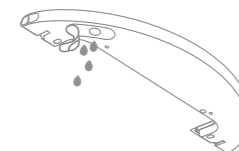
- Sciacqua il bidone della polvere e il filtro solo con acqua pulita. Non usare alcun detersivo.
- Usa il bidone della polvere e il filtro solo quando sono completamente asciutti.

### Pulizia del modulo di lavaggio

1. Fai scorrere le due morsetti di rilascio sul lato del serbatoio dell'acqua per rimuovere il modulo di pulizia, quindi estrai il mocio dal modulo di pulizia.



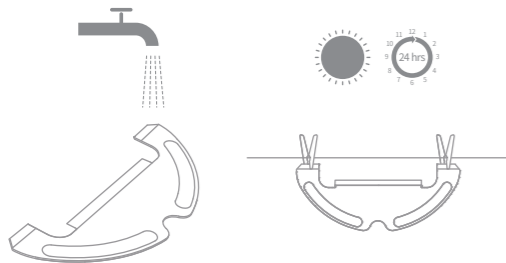
2. Svuotare l'acqua rimanente nel serbatoio d'acqua e lasciarlo asciugare naturalmente.



**Nota:** Non esporre il serbatoio alla luce diretta del sole.

## Manutenzione quotidiana

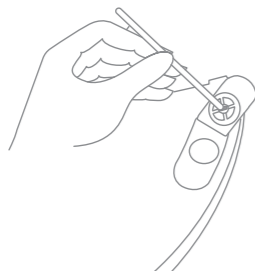
3. Pulire e far asciugare il panno di lavaggio.



### Nota:

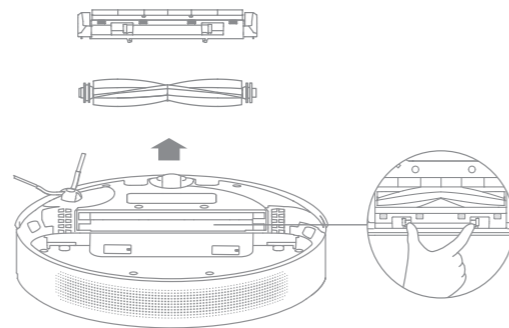
· Rimuovere il panno e pulirlo dopo la pulizia per evitare che l'acqua sporca ritorni nell'uscita d'acqua e causi intasamenti.

4. Se il volume del flusso d'acqua non è ben distribuito o rallentato si prega di pulire la bocchetta d'aria sul coperchio del serbatoio.



## Pulizia della spazzola principale

1. Premi i ganci di guardia della spazzola verso l'interno per rimuovere la guardia della spazzola e sollevare la spazzola dal robot.



2. Estrai i coperchi della spazzola come mostrato nel diagramma. Usa lo strumento di pulizia fornito per rimuovere i capelli aggrovigliati nella spazzola.

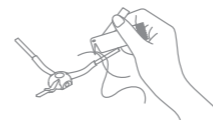


**Nota:** Se i capelli sono strettamente aggrovigliati alla spazzola non tirarli con forza per evitare di danneggiarla.

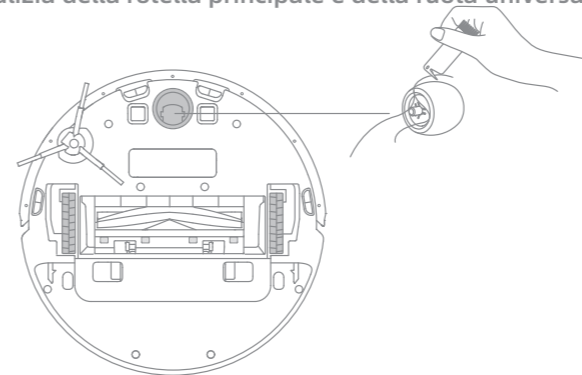
## Manutenzione quotidiana

### Pulizia della spazzola laterale

Estrai la spazzola laterale e usa lo strumento di pulizia incluso per rimuovere qualsiasi capello aggrovigliato nella spazzola.



### Pulizia della rotella principale e della ruota universale

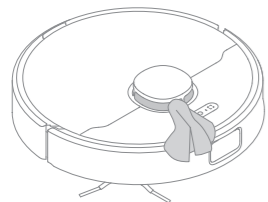


**Nota:** Usa uno strumento come un piccolo cacciavite per separare l'asse e il pneumatico della ruota universale.

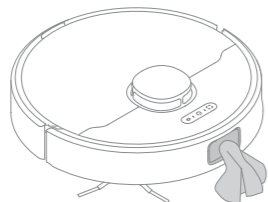
## Manutenzione quotidiana

**Nota:** Si prega di usare un panno asciutto per la pulizia, in quanto il dispositivo principale e l'interno della base contengono elementi sensibili. Non usare panni bagnati per evitare l'insorgere di danni causati dall'acqua.

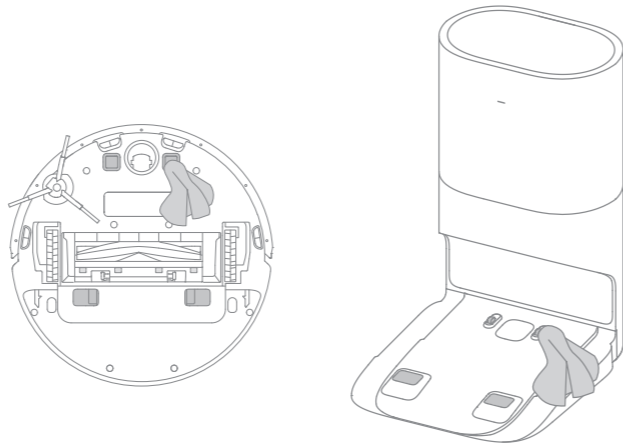
### Pulire il sensore laser LDS



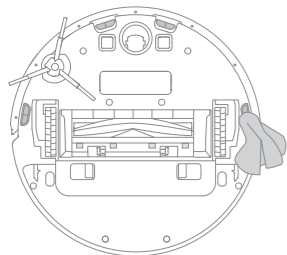
### Pulisci il Sensore Visivo AI



### Pulisci i Contatti di Ricarica e gli Sfiati di Svuotamento Automatico



### Pulire il sensore di dislivello

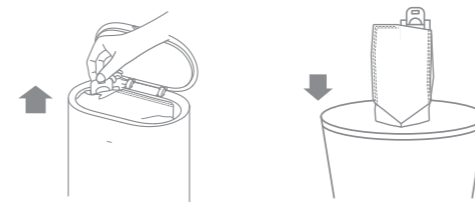


## Manutenzione quotidiana

### Sostituire il Sacchetto di Polvere

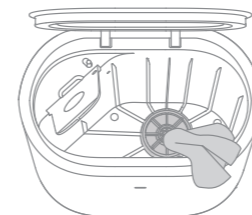
Secondo l'indicatore di stato (arancione lampeggiante) e le richieste dell'app, sostituirlo con uno nuovo quando il sacchetto di polvere è pieno.

1. Buttare il sacchetto di polvere.

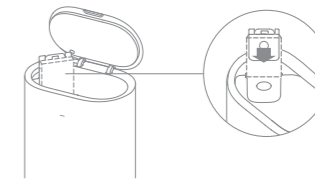


**Nota:** quando si estrae il sacchetto di polvere, la maniglia del sacchetto chiuderà il sacchetto per impedire efficacemente la fuoriuscita di polvere.

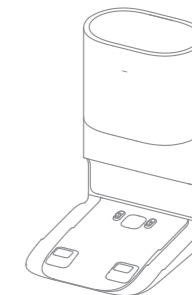
2. Pulire il filtro.



3. Installare un nuovo sacchetto di polvere.



4. Chiudere il coperchio superiore della base auto-vuota.



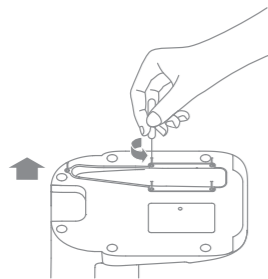
**Nota:** Non chiudere con forza la base se non è possibile chiudere il coperchio superiore della base e il sacchetto di polvere non è installato.

## Manutenzione quotidiana

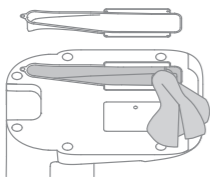
### Pulire il Condotto dell'Aria

Se il condotto dell'aria è ostruito, pulirlo seguendo i passaggi seguenti.

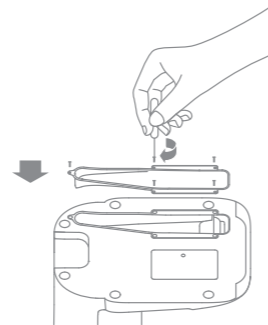
1. Svitare le viti sul coperchio del condotto dell'aria e rimuovere il coperchio.




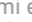
2. Controllare se il condotto dell'aria è ostruito da oggetti estranei. Se ce ne sono, pulirli.



3. Reinstallare il coperchio del condotto dell'aria come mostrato nel diagramma.



### Riavvio del Robot

Se il robot smette di rispondere o non può essere spento, premi e tieni premuto il pulsante  per 10 secondi per spegnerlo forzatamente. Quindi, premi e tieni premuto il pulsante  per 3 secondi per accendere il robot.

### Batteria

Il robot contiene una batteria agli ioni di litio ad alte prestazioni. Assicurarsi che l'apparecchio resti carico durante l'utilizzo quotidiano per mantenere le prestazioni ottimali della batteria. Se il robot non viene utilizzato per lungo tempo, spegnerlo e conservarlo. Per evitare danni da scaricamento eccessivo, ricaricare il robot almeno una volta ogni tre mesi.

## Problemi comuni

Problema	Soluzione
Il robot non si accende	Il livello della batteria è basso. Ricaricare il robot alla base e poi riavviarlo. La temperatura della batteria è troppo bassa o troppo alta. Si consiglia di far funzionare l'apparecchio a una temperatura compresa tra 32 °F (0 °C) e 104 °F (40 °C).
Il robot non si ricarica	La base non riceve alimentazione. Controllare che entrambe le estremità del cavo di alimentazione siano collegate correttamente. Scarso contatto. Pulire i contatti di ricarica della base e del robot.
Il robot non può tornare alla base	Ci sono troppe ostruzioni intorno alla base. Posizionarla in un'area più aperta. Pulire l'area di segnalazione della base. Lo spostamento del robot potrebbe causare il riposizionamento o la mappatura dell'ambiente circostante. Se il robot è troppo lontano dalla base, potrebbe non essere in grado di tornare automaticamente da solo, nel qual caso è necessario posizionarlo manualmente sulla base.
Il robot non funziona bene	Spegnerlo e riaccendere il robot.
Il robot fa uno strano rumore	Potrebbe essersi incastrato un oggetto estraneo in una delle spazzole o in una delle rotelle principali. Spegnerlo e rimuovere eventuali residui.
Il robot non pulisce più con la stessa efficienza di prima o lascia polvere dietro di sé	Il contenitore raccogli-polvere è pieno. Pulire il contenitore e la porta di raccolta della polvere. Il filtro è intasato. Pulirlo. Un oggetto estraneo si è incastrato nella spazzola principale. Eliminarlo.

## Problemi comuni

Problema	Soluzione
Il robot non riesce a collegarsi al Wi-Fi	La connessione Wi-Fi potrebbe non essere stabile. Resettare il Wi-Fi e scaricare l'ultima versione dell'app Dreamehome, poi provare a riconnetterti. L'accesso alla posizione non è stato autorizzato. Assicurarsi che l'accesso alla posizione sia stato autorizzato sull'app Dreamehome. Il segnale Wi-Fi è troppo debole. Assicurarsi che il robot sia in una zona coperta dal segnale Wi-Fi. La frequenza 5 Ghz del Wi-Fi non è supportata. Assicurarsi che il robot sia connesso alla banda Wi-Fi 2.4 Ghz. Il nome utente o la password del Wi-Fi non sono corretti. Assicurarsi di aver inserito le informazioni corrette.
Il robot non effettua la pulizia programmata	Il robot ha la batteria bassa. La pulizia programmata non inizierà a meno che il robot non abbia almeno il 15% di batteria residua.
Lasciare il robot sulla base consuma energia se è già completamente carico?	Lasciare il robot sulla base dopo che è completamente carico consuma pochissima elettricità e aiuta a mantenere le prestazioni ottimali della batteria.
Dal modulo di lavaggio non esce acqua o ne esce poca	Verificare che nel serbatoio d'acqua ci sia acqua. Pulire il panno se diventa stroppo sporco. Accertarsi che il panno di lavaggio sia installato correttamente facendo riferimento al manuale d'uso. Si raccomanda una pulizia sistematica del foro d'aria sul coperchio del serbatoio d'acqua.
Il robot non riprende automaticamente la pulizia dopo essersi ricaricato	Accertarsi che il robot non sia impostato sulla modalità ND (Non disturbare) che ne impedisce la ripresa della pulizia. Il robot non riprende la pulizia automaticamente quando viene ricaricato manualmente o posizionato sulla base.

## Problemi comuni

Problema	Soluzione
Il robot ritorna alla base senza eseguire le attività di raccolta della polvere	La modalità Non disturbare impedisce al robot di eseguire automaticamente l'attività di raccolta della polvere.
Il sacchetto di polvere è pieno	Verificare se il sacchetto di polvere è pieno. In tal caso, sostituirlo con uno nuovo. Si consiglia di sostituire il sacchetto ogni 8-10 settimane. In caso contrario, controllare se la porta di raccolta della polvere o il condotto dell'aria nella parte inferiore della base sia ostruito. Rimuovere qualsiasi blocco prima dell'uso.
A volte il tempo di raccolta della polvere sarà più lungo	Quando il robot ha eseguito attività di raccolta della polvere per un periodo di tempo o quando il condotto dell'aria non funziona correttamente, la durata della raccolta della polvere verrà estesa per prevenire il blocco.
Il coperchio superiore della base non si chiude	Verificare se è installato un sacchetto di polvere. In caso contrario, installarne uno.

Per servizi aggiuntivi, per favore contattaci tramite [aftersales@dreame.tech](mailto:aftersales@dreame.tech)

Sito web: <https://global.dreametech.com>

## Specifiche tecniche

### Robot

Modello	RLS6AD
Tempo di ricarica	Circa 6 ore
Tensione nominale	14,4 V $\approx$
Potenza nominale	46 W
Frequenza d' esercizio	2400-2483,5 MHz
Potenza in uscita massima	< 20 dBm

### Base auto-vuota

Modello	RCS2
Ingresso nominale	220-240 V~ 50-60 Hz
Uscita nominale	19,8 V $\approx$ 1 A
Potenza nominale	800 W

In condizioni d'uso normali, questa apparecchiatura deve essere tenuta a una distanza minima di 20 cm tra l'antenna e il corpo dell'utente.

Scatola	Manuale	Manuale	Pellicola	Pellicola	Borsa	Maniglia	Pellicola
PAP 20	PAP 21	PAP 22	PVC 3	PET 1	CPE 7	PE 4/PP 5	PP 5
Carta			Plastica				
RACCOLTA DIFFERENZIATA							
Verifica le disposizioni del tuo Comune. Separa le componenti e conferiscile in modo corretto.							

## Smaltimento e Rimozione della Batteria

La batteria incorporata agli ioni di litio contiene sostanze pericolose per l'ambiente. Prima di smaltire la batteria, assicurati che la batteria sia rimossa da tecnici qualificati e smaltita presso un centro di riciclaggio appropriato.

- la batteria deve essere rimossa dall'apparecchio prima che sia rottamata;
- l'apparecchio deve essere scollegato dalla rete di alimentazione al momento della rimozione della batteria;
- la batteria deve essere smaltita in modo sicuro.

### ATTENZIONE:

- Prima di rimuovere la batteria, scollega l'alimentazione ed esaurisci la batteria il più possibile.
- Le batterie non necessarie devono essere smaltite presso un centro di riciclaggio appropriato.
- Non esporre ad ambienti ad alta temperatura per evitare rischi di esplosione.
- In condizioni abusive, il liquido potrebbe essere espulso dalla batteria. In caso di contatto, sciacqua con acqua e consulta un medico.

### Informazioni RAEE



Tutti i prodotti contrassegnati da questo simbolo sono rifiuti di apparecchiature elettriche ed elettroniche (RAEE in base alla direttiva 2012/19/UE) che non devono essere smaltiti assieme a rifiuti domestici non differenziati. Al contrario, è necessario proteggere l'ambiente e la salute umana consegnando i rifiuti a un punto di raccolta autorizzato al riciclaggio di rifiuti di apparecchiature elettriche ed elettroniche, predisposto dalla pubblica amministrazione o dalle autorità locali. Lo smaltimento e il riciclaggio corretti aiutano a prevenire conseguenze potenzialmente negative all'ambiente e alla salute umana. Contattare l'installatore o le autorità locali per ulteriori informazioni sulla sede e per i termini e le condizioni di tali punti di raccolta.

### Guida alla Rimozione

1. Capovolgi il robot, usa uno strumento adeguato per rimuovere le viti sul retro del robot, quindi rimuovi il coperchio.
2. Scollega i terminali tra la batteria e la scheda PCB per rimuovere la batteria.