

Dreame R20 Cordless Stick Vacuum User Manual

THANK YOU

FOR PURCHASING THIS DREAME
VACUUM CLEANER.

Registration Quick Start

Welcome to register a Dreame account
by scanning the QR code.

You are available for the **User Manual**
and **Special Offers**.



With it you are obtaining a high quality product that is engineered
for optimal performance. If you have any questions on the product,
please contact us: aftersales@dreame.tech.

EN	User Manual	1
AR	دليل المستخدم	24
HE	מדריך למשתמש	47

Safety Instructions

To prevent accidents including electric shock or fire caused by improper use, please read this manual carefully before use and retain it for future reference.

Warning

- This product can be used by children aged from 8 years and above and persons with physical, sensory, intellectual deficiencies, or limited experience or knowledge under the supervision of a parent or guardian to ensure safe operation and to avoid any risk of hazards. Cleaning and maintenance shall not be carried out by children without supervision.
- The vacuum is not a toy. Children shall not play with or operate this product. Please exercise caution when using the vacuum near children. Do not allow children to clean or maintain the vacuum unless supervised by a parent or guardian.
- Do not use the vacuum outdoors or on wet surfaces. Only use the vacuum on dry indoor surfaces. Do not touch the plug or any part of the vacuum with wet hands.
- To reduce the risk of fire, explosion, or injury, make sure that the lithium battery and charging adapter are undamaged before use. Do not use the vacuum if either the lithium battery or charger is damaged.
- The smart multi-surface brush, motorized mini-brush, battery, carbon fiber rod, and vacuum are electrically conductive and should not be immersed in water or other liquid. Make sure to dry all filters after cleaning.
- To prevent injury caused by moving parts, turn off the vacuum before cleaning the smart multi-surface brush. The smart multi-surface brush, dust cup and filter must all be properly installed before using the vacuum.
- Only use the original charging adapter. Never use an unoriginal adapter, as this may cause the lithium battery to catch fire.
- Do not use the vacuum to pick up flammable or combustible liquids, such as gasoline, or bleach, ammonia, drain cleaners or other liquids.
- Do not use the vacuum to pick up drywall particles, ashes like fireplace ash, or smoking or burning materials such as coal, cigarette butts or matches.
- Check the area to be cleaned before use. To prevent the openings from being blocked, clear the larger paper, spitball, plastic cloth or sharp objects (such as glass, nails, screws, coins, etc.) and any object which is larger than openings.
- Keep hair, loose clothing, fingers and other parts of the body away from the vacuum's openings and moving parts. Do not point the hose, wand or tools at your eyes or ears or put them in your mouth.
- Do not put any object into the vacuum's openings. Do not use the vacuum with any opening blocked. Keep free of dust, lint, hair, or other items which may reduce airflow.
- Do not lean the vacuum against a chair, table, or other unstable surface, as this may cause damage to the machine or personal injury. If the vacuum becomes damaged or is otherwise malfunctioning, please contact our authorized service department. Never attempt to disassemble the device on your own.
- All instructions in the manual for recharging the battery must be strictly followed. Failure to properly charge the battery within the specified temperature range could damage the battery.

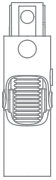
- Only use accessories and replacement parts recommended by the manufacturer.
- Make sure the vacuum is unplugged when not used for extended periods as well as prior to performing any maintenance or repairs.
- Please be extra careful when using the vacuum to clean stairs.
- Do not install, charge, or use this product outdoors, in bathrooms, or around a pool.
- Fire Hazard Warning: Do not apply any type of fragrance to the vacuum's filter. These types of products are known to contain flammable chemicals which may cause the vacuum to catch fire.
- Only use the original charger (Model ZD024M340090EU). Failing to do so may cause the lithium-ion battery to catch fire.
- Only use the approved battery type (Model P2033-8S1P-GYA). Failing to do so may cause the lithium-ion battery to catch fire.
- If the battery material is released, remove personnel from area until the batteries cool down and fumes dissipate.
- Provide maximum ventilation to clear out hazardous gases and avoid skin and eye contact or inhalation of vapors.
- Remove spilled liquid with absorbent and incinerate waste.
- Do not use and store in extremely hot or cold environments (below 0°C /32°F or above 40°C /104°F). Please charge the cordless vacuum in temperature above 0°C /32°F and below 40°C /104°F.
- This product is designed for home use only.

We, Dreame Trading (Tianjin) Co., Ltd., hereby, declares that this equipment is in compliance with the applicable Directives and European Norms, and amendments. The full text of the EU declaration of conformity is available at the following internet address: <https://global.dreametech.com>

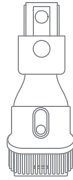
For detailed e-manual, please go to <https://global.dreametech.com/pages/user-manuals-and-faqs>

Product Overview

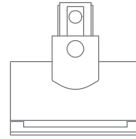
Accessory List



Flexible Adapter



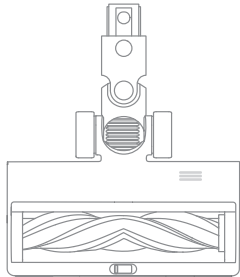
Wide Combination Tool



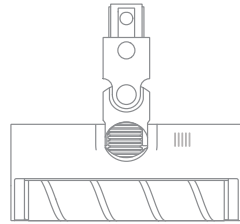
Motorized Mini-Brush



Carbon Fiber Rod



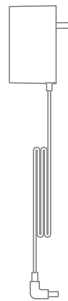
Smart Multi-Surface Brush



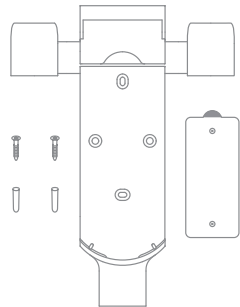
Soft Roller Brush



Flexible Combination Tool



Charger

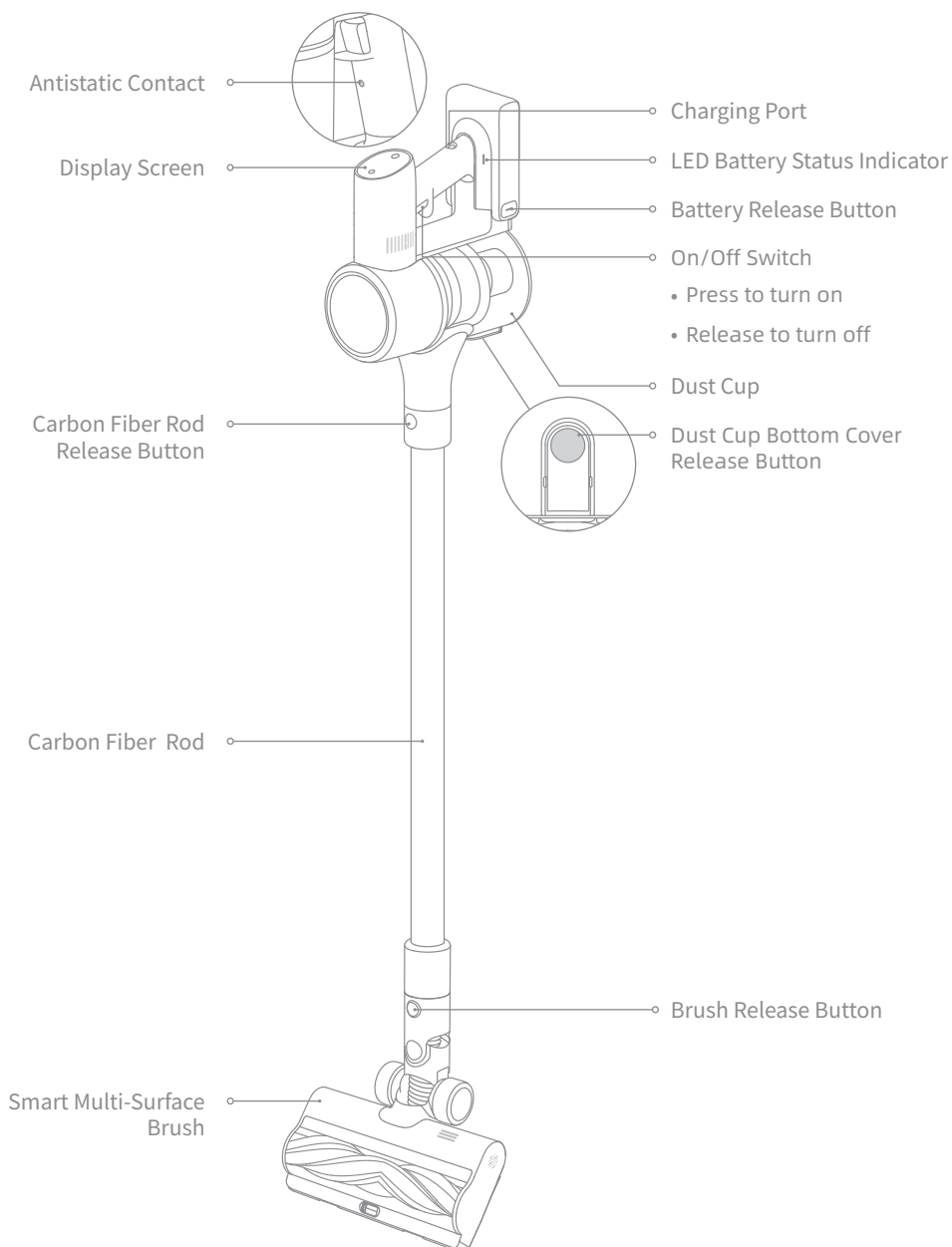


2-in-1 Charging & Storage Mount
(Including screws ×2, wall plugs ×2, mounting template sticker ×1)

Note: The images in this manual are for illustrative purposes only. The actual product may differ.

Product Overview

Component Names



Product Overview

Introduction of Display Screen



High-temperature Alert



Roller Brush Stuck



Air Duct Blocked



Error

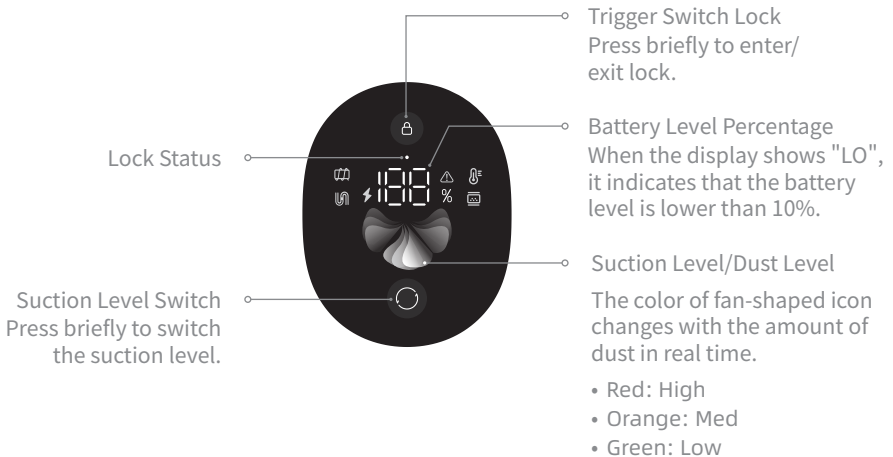


Filter uninstalled/Filter is expiring



Charging/Low Battery Level Indicator

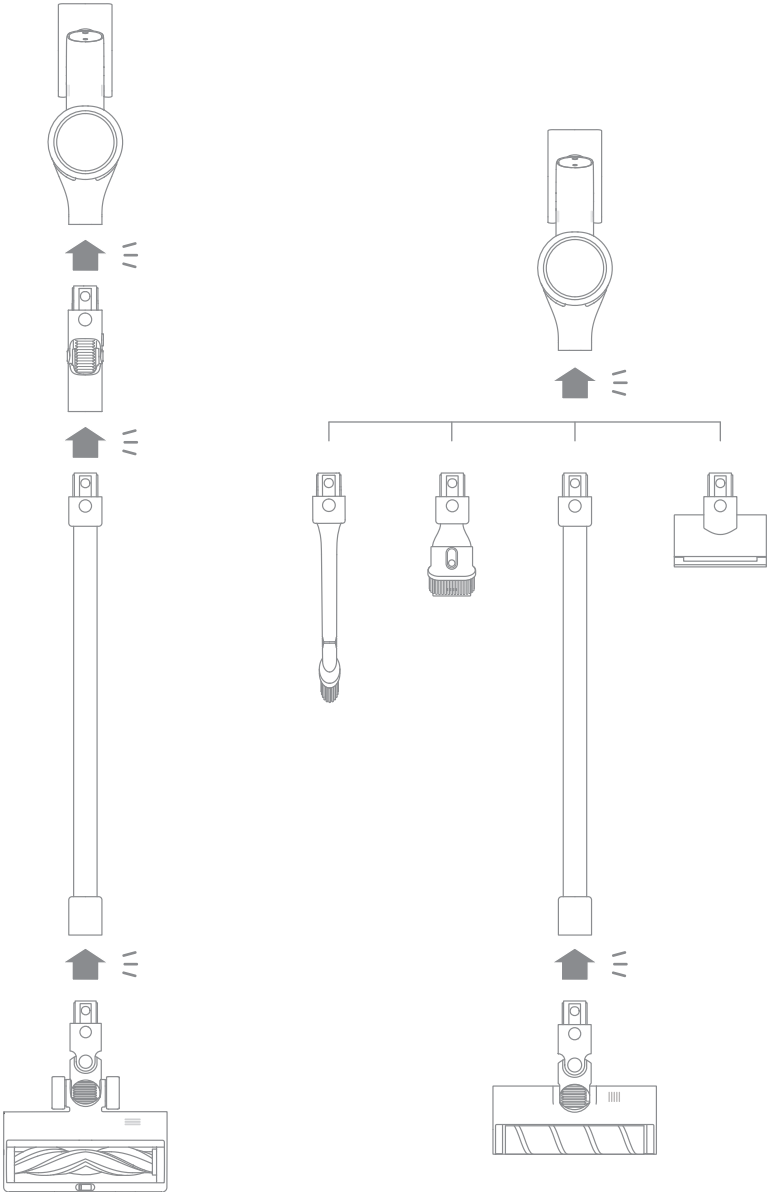
- Blinking red: Battery level \leq 10%
- Pulsing red: Battery level \leq 10% (charging)
- Pulsing green: Battery level $>$ 10% (charging)



Installation

Vacuum Installation Diagram

☰ Click

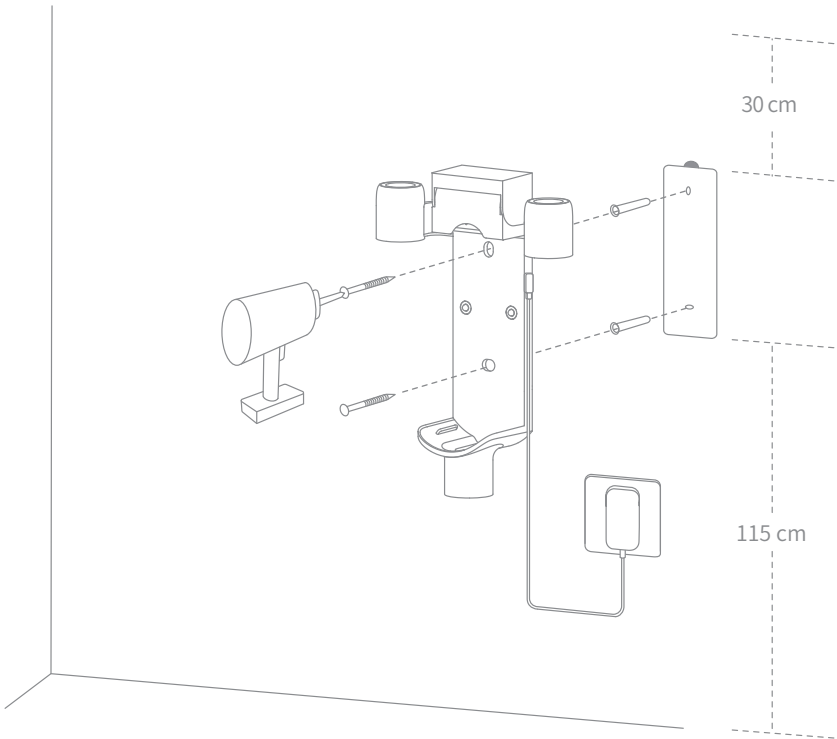


Installation

2-in-1 Charging & Storage Mount Installation Diagram

1. The bottom of the mounting template sticker should be level and at least 115 cm from the ground. The top should have at least 30 cm* of clearance above it.
2. Use a power drill with an 8 mm drill bit to drill a hole into each marker on the mounting template sticker, then insert a wall plug into each hole.
3. Align the locating holes on the mount with the holes on the wall. Fasten it to the wall with the included screws.

*30 cm: Leave enough space just in case you may need to purchase the replaceable battery in the future.



Note:

- The 2-in-1 charging & storage mount is an optional accessory. You can install it based on your needs.
- The 2-in-1 charging & storage mount should be installed in a cool, dry place with an electrical outlet nearby. Prior to installing, ensure that there are no electrical wires or pipes in the space directly behind where the mount will be installed.

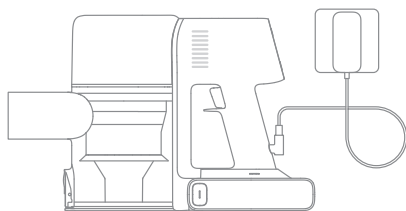
Charging

Note:

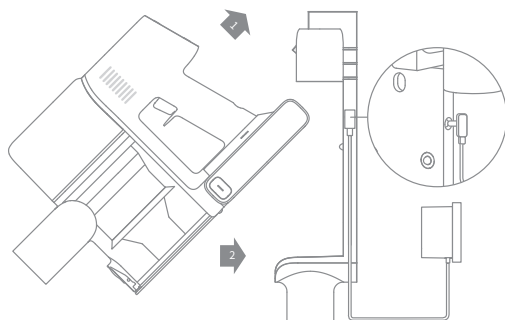
- Fully charge the vacuum before using it for the first time.
- A full charge will take approx. 4 hours.
- Vacuuming in Turbo Mode for a prolonged period will cause the battery to heat up, which increases charging time. Allow the vacuum to cool down for 30 minutes before charging it.

Charging Methods

Charging the vacuum with the charger



Charging the vacuum on the charging mount



Battery Status Display

Display Screen

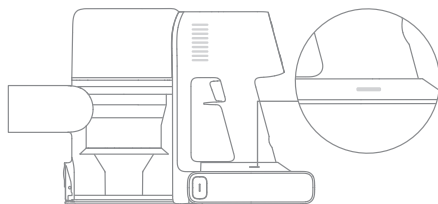
The number on the display screen represents the current battery level in a percentage during charging. When the number becomes 100, the battery is fully charged.



LED Battery Status Indicator

When charging, the indicators blink white. When the charging is completed, the indicators keep solid white.

Note: Once the vacuum is fully charged, the indicator will turn off after 5 minutes, and the vacuum will enter energy-saving mode.



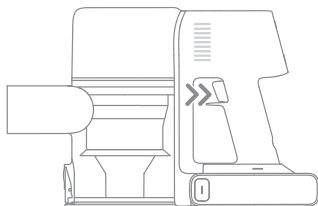
How to Use

Working Methods

Select from two working methods for the vacuum, which can be selected based on your own needs.

Method 1: Discontinuous Cleaning Mode

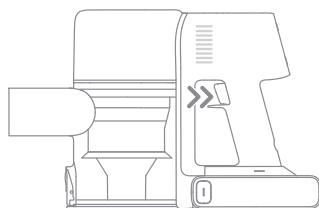
Press and hold the switch of the vacuum to enable this mode, and release it to stop immediately.



Method 2: Continuous Cleaning Mode (Trigger Switch Lock)

Press the trigger switch lock to switch to Continuous Cleaning Mode, and then briefly press the on/off switch to keep the vacuum in Continuous Cleaning Mode.

Use the trigger switch lock to free your fingers from fatigue caused by holding the switch.



Note:

- In this mode, briefly press the on/off switch to suspend the operation or start again and the working mode of the vacuum will not change.
- Press the trigger switch lock again to quit Continuous Cleaning Mode.

Switching Suction Level

Press the button  to switch levels between auto and turbo.

When in Turbo Mode, all fan-shaped icons will light up in white.

Only in Auto Mode, the suction level and the color of fan-shaped icon change with the amount of inhaled dust.

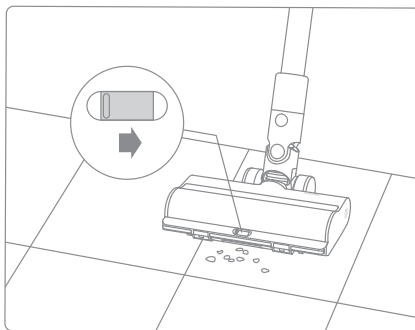
How to Use

Using Different Accessories

Smart Multi-Surface Brush

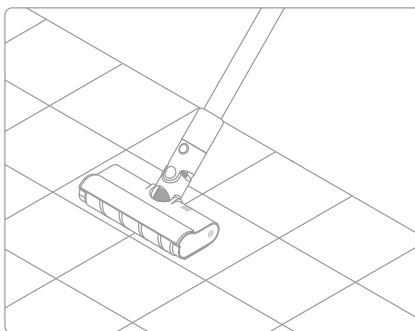
Note:

- The smart multi-surface brush can be attached directly to the vacuum.
- When the appliance starts, the lights in front of the brush roller will automatically turn on, which is convenient for use.
- Suitable for vacuuming on the med/low pile carpets, tiles and floors.
- For vacuuming large particles by turning on the switch on the brush, such as coffee beans, corn flakes and etc.



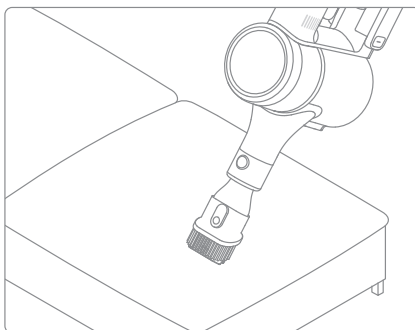
Soft Roller Brush

Suitable for cleaning hard floors such as marble and floors.



Wide Combination Tool

For vacuuming dust from curtains, keyboards, ceilings, sofas, vehicle interiors, coffee tables, etc.

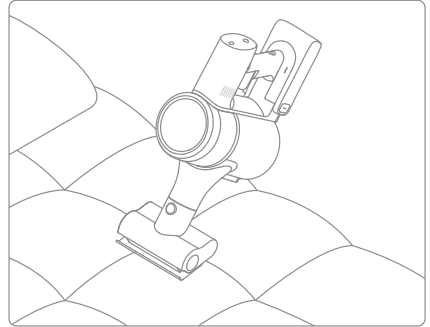


How to Use

Motorized Mini-Brush

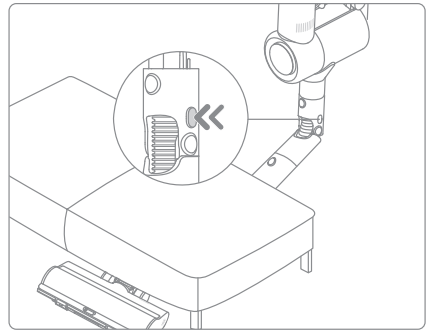
For vacuuming dirt, pet hair, and other stubborn debris from sofas, bedding, and other fabric surfaces.

Note: It is not recommended to vacuum on fragile surfaces, such as silk.



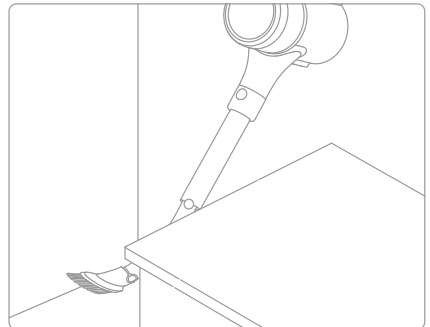
Flexible Adapter

Bending and extending the rod with one click can easily reach under low-lying furniture, such as bed and sofa.



Flexible Combination Tool

Bendable and retractable brush-nozzle, more flexible to vacuum in narrow gaps.



Note:

- If any rotating part becomes stuck, the vacuum may shut off automatically. Remove any trapped objects so the device can function normally.
- When the battery becomes overheated, the vacuum will automatically shut off. Wait until the battery temperature returns to normal, then the vacuum will work normally.

Care & Maintenance

Tips:

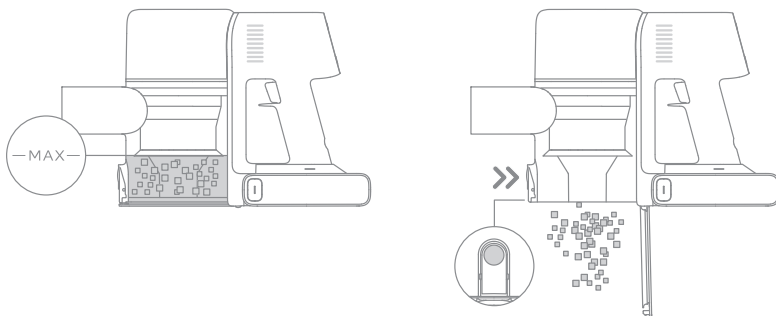
- Always use genuine parts to keep your warranty from becoming void.
- If the filter or nozzle becomes clogged, the vacuum will stop working shortly after being turned on. To restore normal functions, clean the filter and/or nozzle.
- If the vacuum is not be used for an extended period, fully charge it, unplug its charger, and store it in a cool, low-humidity environment away from direct sunlight. To avoid over-discharging the battery, recharge the vacuum at least once every three months.

Cleaning the Vacuum

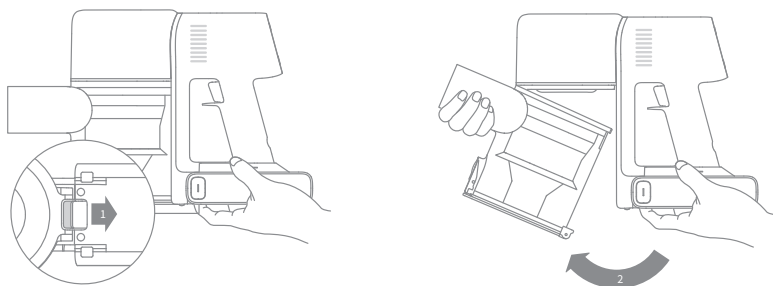
Wipe the vacuum with a soft dry cloth.

Cleaning the Dust Cup, Pre-Filter, and Cyclone Assembly

1. Press the dust cup bottom cover release button, then empty the contents.



2. Push the dust cup release switch in the direction indicated by the arrow, then gently remove the dust cup from the vacuum.

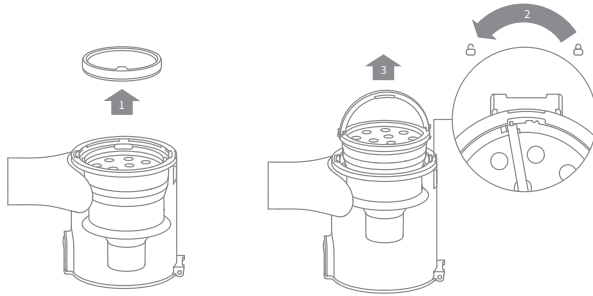


Note:

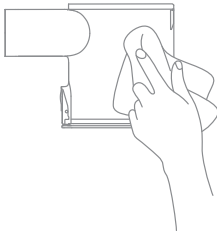
- The vacuum's cleaning ability will be reduced if the dust cup is filled to the "MAX" mark. To regain performance, empty the dust cup in a timely manner.
- Before emptying the cup, make sure the vacuum is disconnected from the power, and do not press its power button.

Care & Maintenance

3. Remove the pre-filter first, then lift the handle of the cyclone assembly and turn it counterclockwise until it stops, then pull to lift out the cyclone assembly.

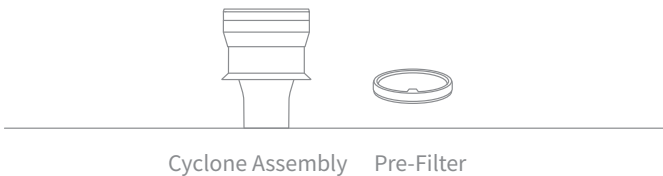


4. Wipe the dust cup with a soft wet cloth. Pay attention to wring out the discloth before using.



To reduce the risk of electric shock, do not rinse the dust cup with water.

5. Rinse the cyclone assembly and pre-filter until they are clean. After washing, air dry for at least 24 hours.

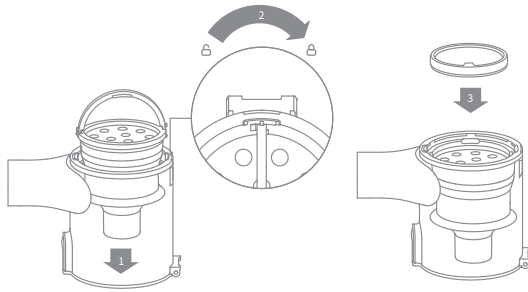


Note: It is recommended to clean the pre-filter at least once every 3 months and the cyclone system at least once every 6 months.

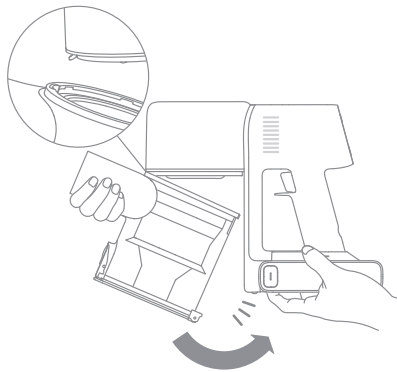
Care & Maintenance

Installing the Dust Cup, Pre-Filter, and Cyclone Assembly

1. Insert the cyclone assembly vertically into the dust cup, and make sure that the handle of the cyclone assembly line up with the slot on the left side of the dust cup. Turn the handle clockwise until it locks, then flip the handle down.
2. Place the pre-filter with its front side facing up into the cyclone assembly.



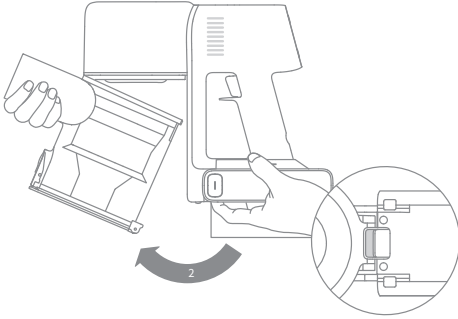
3. Slightly tilt the dust cup so its slot aligns with the clip on the vacuum. Then gently push the dust cup until it clicks into place.



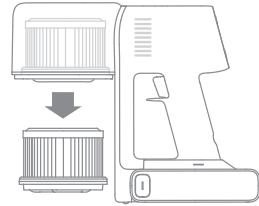
Care & Maintenance

Cleaning the Filter

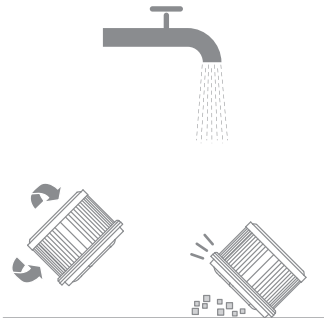
1. Remove the dust cup as shown in the figure.



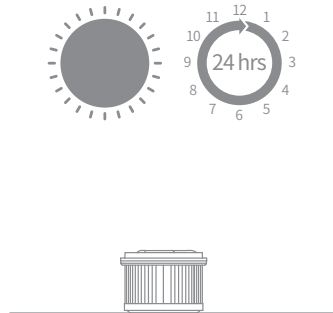
2. Remove the filter from the vacuum by pulling it down in the direction shown in the figure.



3. Clean the filter with clean water. Make sure you rotate the filter 360° to thoroughly and remove all dust caught in the filter. Lightly tap the filter several times to remove any excess dirt.



4. Allow the filter to air dry for 24 hours.



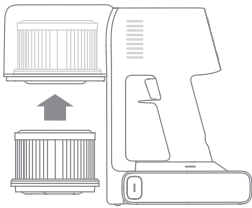
Note:

- It is recommended to clean the filter once every 4 to 6 months.
- Only use clean water to wash the filter. Do not use detergent.
- Do not attempt to clean the filter with a brush or finger.

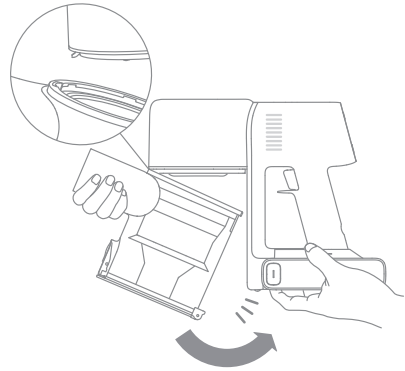
Care & Maintenance

Installing the Filter

1. Insert the filter into the vacuum and gently press down, as illustrated.

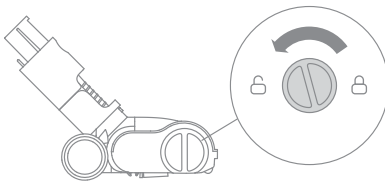


2. Reinstall the dust cup.

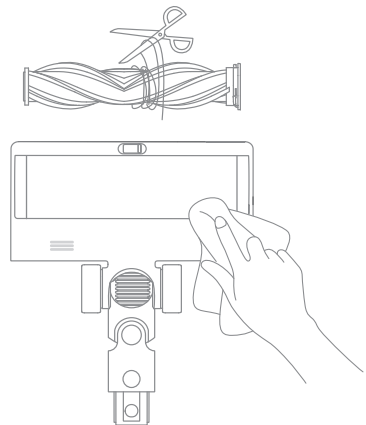


Cleaning the Smart Multi-Surface Brush

1. Turn the lock counterclockwise until it stops, then remove the brush roller from the brush.



2. Use scissor to cut off the hairs and fibers that get stuck on the brush. Wipe the dust from the notch and transparent cover with a dry cloth or paper towel. Thoroughly dry before use.

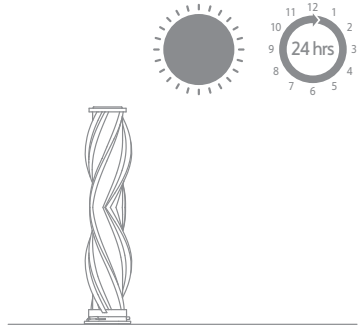


Care & Maintenance

3. When it is dirty, rinse the brush roller with clean water until it is clean.

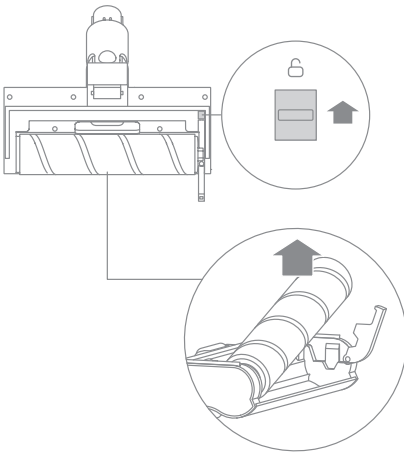


4. Stand the brush roller upright for at least 24 hours until it is fully dry.

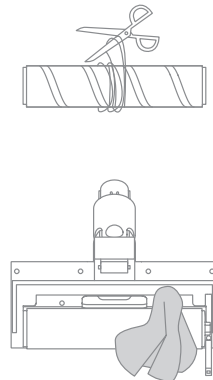


Cleaning the Soft Roller Brush

1. As shown in the picture, press the brush roller release button to remove the roller from the slot.

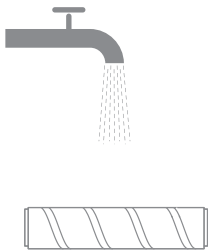


2. Use scissors to cut off the hairs and fibers that get stuck on the brush roller and the wheels. Wipe the dust from the notch and transparent cover with a dry cloth or paper towel. Thoroughly dry before use.

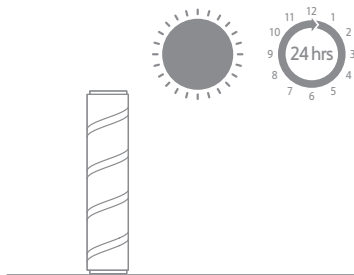


Care & Maintenance

3. When it is dirty, rinse the brush roller with clean water until it is clean.



4. Stand the brush roller upright for at least 24 hours until it is fully dry.

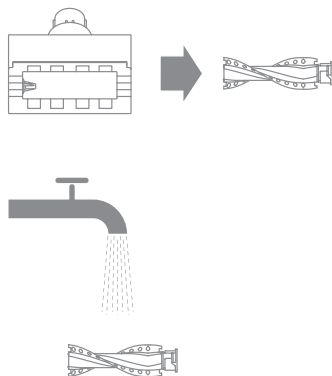


Cleaning the Motorized Mini-Brush

1. Use a coin as illustrated to rotate the lock counterclockwise until you hear a click.



2. After unlocking the motorized mini-brush, remove the brush roller, then rinse and clean it.



3. Stand the brush roller upright in a well-ventilated area for at least 24 hours until it is fully dry.



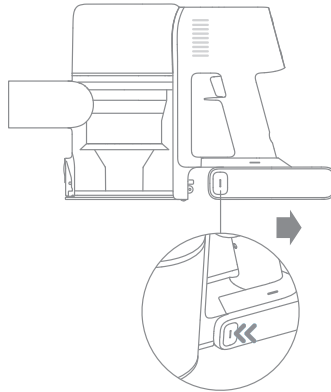
4. Once the brush roller is dry, reinstall it by following the disassembly steps in reverse.



Battery Pack

The vacuum contains a removable rechargeable lithium-ion battery pack which has a limited number of recharge cycles. After extended use, the battery pack may no longer hold a charge. If this happens, it means the battery pack has reached the end of its life cycle and needs to be replaced.

1. Press down the battery pack release button and slide the battery pack to the right, as illustrated, to remove it.
2. Install the new battery pack.



Specifications

Vacuum			
Model	VTV97A	Charging Voltage	34 V $\overline{=}$
Rated Power	570 W	Rated Voltage	29.6 V $\overline{=}$
Charging Time	Approx. 4 hours		
Smart Multi-Surface Brush			
Model	VMB9		
Rated Power	40 W	Rated Voltage	25.2 V $\overline{=}$
Soft Roller Brush			
Model	ASF4		
Rated Power	40 W	Rated Voltage	25.2 V $\overline{=}$
Motorized Mini-Brush			
Model	VMM4		
Rated Power	20 W	Rated Voltage	25.2 V $\overline{=}$
Charger			
Model	ZD024M340090EU	Average Active Efficiency	87.01%
Input	100 - 240 V \sim 50-60 Hz, 0.8A max	Efficiency at Low Load (10%)	77.01%
Output	34 V $\overline{=}$ 0.9 A	No-load Power Consumption	0.1 W
Rechargeable Lithium-ion Battery Pack			
Model	P2033-8S1P-GYA		
Nominal Voltage	29.6 V $\overline{=}$	Nominal Capacity	2900 mAh
Energy	81.4 Wh	Rated Capacity	2750 mAh






The lithium-ion pack contains substances that are hazardous to the environment. Before disposing of the vacuum, please remove the battery pack, then discard or recycle it in accordance with local laws and regulations of the country or region it is used in.

If the vacuum is not working properly, please refer to the table below.

Errors	Possible Causes	Solutions
Vacuum does not work.	Vacuum is out of battery or low on power.	Fully charge the vacuum, then continue to use it.
	Overheat protection mode triggered by a blockage.	Clean the suction openings or air duct. Wait until the vacuum cools down, then reactivate it.
	Suction opening or air duct is blocked.	Clear any blockage from suction opening or air duct.
Weak suction force.	Dust cup is full and/or filter assembly is clogged.	Empty the dust cup and clean the filter assembly.
	Attachment is blocked.	Clear any blockage in the attachment.
Motor is making a strange noise.	Main suction opening or carbon fiber rod is blocked.	Clear any blockage in the main suction opening or extension rod.
The first indicator is red after turning on the vacuum.	Battery pack is damaged.	Please contact the after-sales service department for maintenance.
The first indicator blinks red when charging the vacuum.	The charger is incompatible.	Only use the original charger to charge the vacuum.
The battery indicator does not light when charging.	The charger does not plug into the vacuum well.	Check whether the charger is properly plugged into the vacuum.
	The battery is fully charged and went into sleep mode.	The vacuum can be used normally.
	If the problem persists after ruling out the above two possibilities, please contact the after-sales service department for maintenance.	
The vacuum charges slowly.	Battery temperature is too low or too high.	Wait until the battery's temperature returns normal, then continue to use the vacuum.
LED lights of the smart multi-surface brush do not work.	LED lights are damaged.	Please contact the after-sales department for maintenance.

Troubleshooting

If the vacuum is not working properly, the screen display will show an error message. Please refer to the troubleshooting table to find your solution.

Error Icon	Status	Error Message	Solutions
	Blinking Red	High-temperature Alert	Please wait and continue to use after motor temperature is normal.
	Blinking Orange	Roller brush stuck	Refer to the maintenance guide [Cleaning the Smart Multi-Surface Brush] section to clean the fiber material and hairs wrapped around the brush roller.
	Blinking Orange	Air Duct Blocked	Check whether the dust cup, carbon fiber rod, and smart multi-surface brush are blocked.
	Blinking Orange	Filter is expiring	Please replace the filter in time. After replacing the filter, press and hold the trigger switch lock for 3 seconds to reset the filter.
	Solid Orange	Filter uninstalled	Ensure that the filter and pre-filter are installed correctly.
	Solid Red	Error	Please contact the after-sales department for maintenance.
<p>If one of the error codes from E0 to E4 appears on the display, please contact the after-sales service team for repair.</p>			

WEEE Information



All products bearing this symbol are waste electrical and electronic equipment (WEEE as in directive 2012/19/EU) which should not be mixed with unsorted household waste. Instead, you should protect human health and the environment by handing over your waste equipment to a designated collection point for the recycling of waste electrical and electronic equipment, appointed by the government or local authorities. Correct disposal and recycling will help prevent potential negative consequences to the environment and human health. Please contact the installer or local authorities for more information about the location as well as terms and conditions of such collection points.

تعليمات السلامة

لتجنب الإصابات المختلفة مثل الصدمات الكهربائية والحرق الناجم عن الاستخدام غير السليم، يرجى قراءة دليل التعليمات بعناية قبل الاستخدام والاحتفاظ به بشكل صحيح.

تحذير

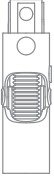
- يمنع استخدام هذا المنتج من قبل الأشخاص ذوي الإعاقات الجسدية أو الحسية أو الذهنية، والأشخاص الذين ليس لديهم الخبرة والمعرفة الكافية (بما في ذلك الأطفال)، ما لم يكن هناك إشراف أو توجيه من شخص ذو كفاءة للتأكد من أنه يمكنهم استخدام هذا المنتج بأمان.
- يمنع الأطفال من استخدام المنتج أو تشغيله، وعند استخدام هذا المنتج بمحيط الأطفال من الضروري الانتباه إليه والمراقبة عن كثب، ومنع الأطفال من تنظيف المنتج أو صيانتها.
- يحظر استخدام الجهاز في الهواء الطلق أو على الأسطح الرطبة بل ينصح باستخدامه على الأسطح الجافة في الداخل، لا تلمس القابس أو أي جزء من الجهاز بيد مبللة.
- لمنع حدوث حريق أو انفجار أو إصابة، يرجى التحقق مما إذا كانت بطارية الليثيوم والشاحن تالفاً قبل الاستخدام، ويحظر استخدام المكنسة الكهربائية في حالة تلف بطارية الليثيوم أو الشاحن.
- الفرشاة الذكية متعددة الأسطح، والفرشاة الصغيرة المزودة بمحركات، والبطارية، وقضيب اليااف الكربون، والمكنسة الكهربائية كلها موصلة للكهرباء ولا ينبغي غمرها في الماء أو أي سائل آخر. تأكد من تجفيف جميع الفلاتر بعد التنظيف.
- لمنع الإصابة الناجمة عن الأجزاء المتحركة، قم بإيقاف تشغيل المكنسة الكهربائية قبل تنظيف الفرشاة الذكية متعددة الأسطح. يجب تركيب الفرشاة الذكية متعددة الأسطح وكوب الغبار والفلتر بشكل صحيح قبل استخدام المكنسة الكهربائية.
- استخدم الشاحن الأصلي فقط، ولا تستخدم محولات غير رسمية، خلاف ذلك قد يؤدي إلى اشتعال النيران في بطارية الليثيوم.
- لا تستخدم المنتج لامتناس الماء والبنزين والسوائل الأخرى القابلة للاشتعال والانفجار، ولا تستنشق المحاليل السامة، مثل مبيض الكلور أو الأمونيا أو منظفات الصرف الصحي أو السوائل الأخرى.
- يحظر استخدام المكنسة الكهربائية لتنظيف الجير والأسمنت ومسحوق الجبس ومسحوق الرماد ومكبات كبيرة من الطحين ومسحوق الكربون وما إلى ذلك، ويحظر استنشاق الدخان أو المواد المحترقة مثل الفحم أو أعقاب السجائر أو أعواد الثقاب.
- التحقق من المنطقة المراد تنظيفها قبل الاستخدام ضروري جداً، لتجنب وجود قطعاً كبيرة من الورق أو كرات ورقية أو قطعة قماش بلاستيكية أو أشياء حادة (مثل الزجاج والمسامير والبراغي والعملات المعدنية، إلخ)، بالإضافة إلى الأشياء التي يزيد قطرها عن قطر القش، يرجى استبعادها مسبقاً لتجنب انسداد الفوهة والتأثير على الاستخدام العادي للمنتج.
- حافظ على تدفك الهواء وتحرن أجزاء الجهاز بعد ا عن الشعر ومالبس فضفاضة والأصابع وأجزاء أخرى من الجسم، وال توجه الموصلات المعدنية أو غرها من الملحقات نحو عنن أو أذن أو ف ففن.
- يمنع وضع أي مادة على الفوهة. يحظر استخدام المكنسة الكهربائية في حالة انسداد أي منفذ شفط، حيث قد يؤدي الغبار أو الصوف القطني أو الشعر أو أي عناصر أخرى إلى تقليل تدفق الهواء، يرجى تنظيفها في الوقت المناسب.
- تجنب وضع المكنسة الكهربائية على أسطح غير مستقرة مثل الكراسي وطاولات الطعام وما إلى ذلك، لمنع تلف المكنسة الكهربائية أو إصابة المستخدم عند السقوط في حال سقوط المكنسة الكهربائية أو تلفها أو بها عيوب أخرى، يرجى الاتصال بجهة الإصلاح الرسمية المعتمدة. لا تقم بإصلاحها وتفكيكها بنفسك.
- يرجى شحن البطارية بدقة وفقاً للإرشادات الواردة في الدليل، فقد يؤدي الشحن غير الصحيح خارج نطاق درجة الحرارة المحدد إلى تلف البطارية.
- استخدم فقط الملحقات قطع الغيار التي أوصت بها الشركة المصنعة.
- يرجى فصل الجهاز من مصدر الكهرباء عند عدم الاستخدام لفترة طويلة، وقيل الصيانة أو الإصلاح.
- يرجى التركيز والانتباه عند الاستخدام وتنظيف السلالم خاصة.
- يرجى عدم تركيب أو شحن أو استخدام هذا المنتج في الهواء الطلق، وفي الحمام أو حول حوض السباحة.
- تحذير من مخاطر الحريق: لا تضع أي منتجات عطرية على فلتر هذا المنتج، ومن المعروف أن المواد الكيميائية الموجودة في هذه المنتجات قابلة للاشتعال ويمكن أن تتسبب في اشتعال المنتج.
- استخدم محول الطاقة الأصلي طراز ZD024M340090E فقط، استخدم محولات أخرى فقد يؤدي إلى اشتعال بطارية الليثيوم.
- استخدم بطارية طراز P2033-8S1P-GYA فقط، استخدم بطاريات أخرى فقد يؤدي إلى اشتعال بطارية الليثيوم.

- إذا تم تحرير مادة البطارية، فأخرج الأفراد من المنطقة حتى تبرد البطاريات وتتبدد الأبخرة.
- قم بتوفير أقصى تهوية للتخلص من الغازات الخطرة وتجنب استنشاق الأبخرة أو جعلها تلامس البشرة والعينين.
- أزل السائل المنسكب باستخدام وسيلة مجففة واحرق النفايات.
- يجب عدم الإستخدام والتخزين في بيئة شديدة الحرارة أو البرودة (أقل من 0 درجة / 32 درجة فهرنهايت أو أعلى من 40 درجة / 104 درجة فهرنهايت). عند الشحن استخدم محول الطاقة الأصلي والشحن عند درجة حرارة 0 إلى 40 درجة مئوية.
- هذا المنتج مصمم للاستخدام المنزلي فقط.

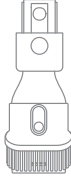
للحصول على دليل إلكتروني مفصل، يُرجى الانتقال إلى
<https://global.dreametech.com/pages/user-manuals-and-faqs>

نظرة عامة حول المنتج

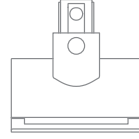
قائمة الملحقات



رأس التبدیل السفلي



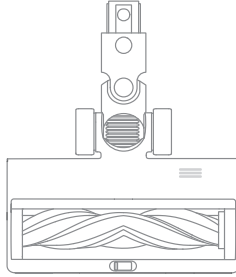
أداة تجميع واسعة



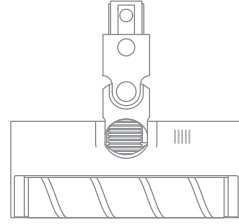
فرشاة كهربائية صغيرة



أنبوب الألياف الكربونية



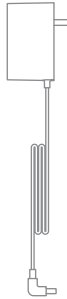
فرشاة ذكية متعددة الأسطح



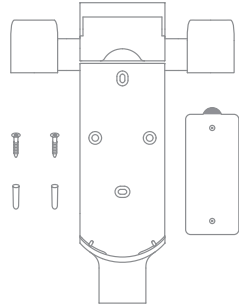
فرشاة أسطوانية دوارة ناعمة



أداة تجميع مرنة



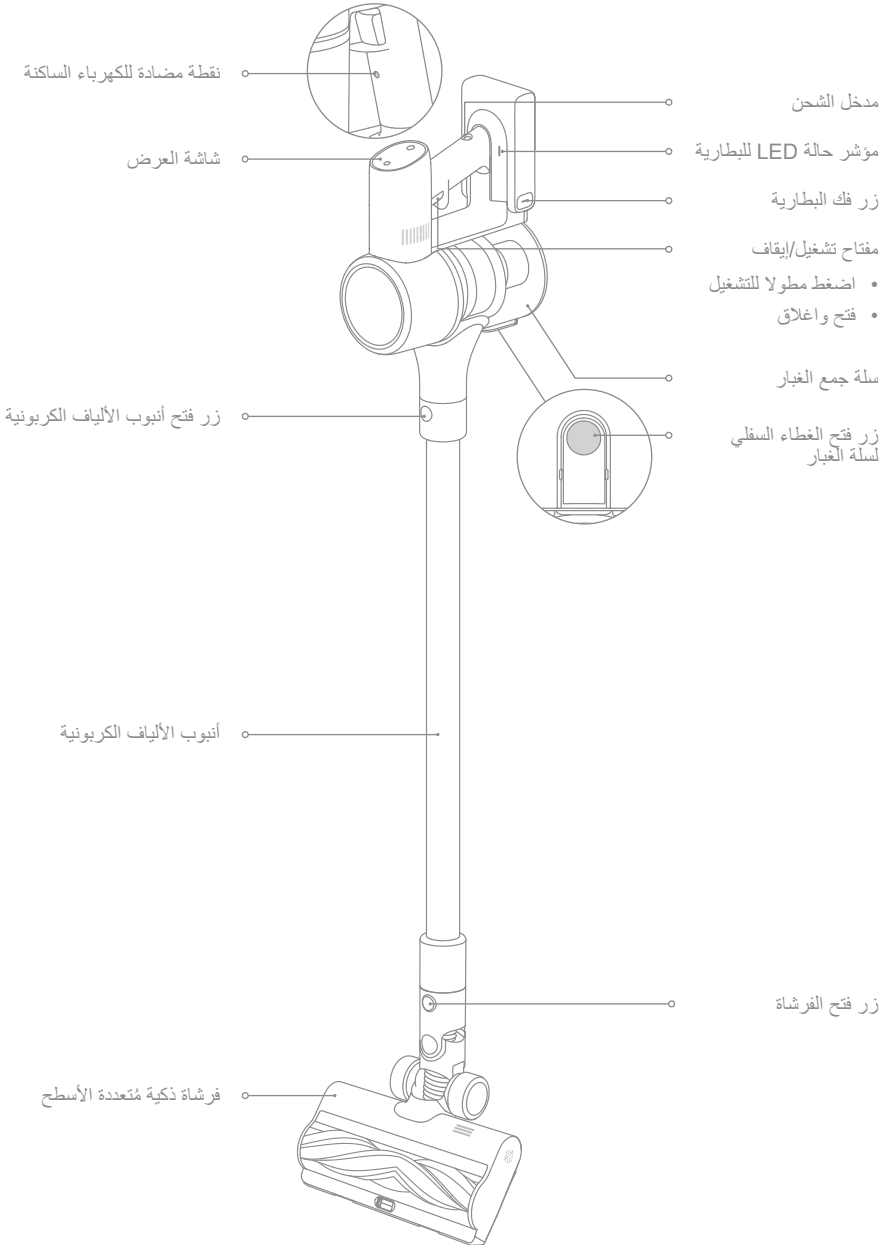
محول الطاقة



حامل شحن وتخزين 2 في 1
(يتضمن عدد 2 برغي وعدد
2 مقبس حائط وملصق نموذج
التركيب)

نصيحة: الرسوم التوضيحية في هذا الدليل هي للإشارة فقط، يرجى الرجوع للمظهر الفعلي.

اسم الاجزاء



نظرة عامة حول المنتج

مقدمة عن وظيفة شاشة العرض

تنبيه بارتفاع درجة الحرارة



الفرشاة الإسطوانية عالقة



انسداد قناة الهواء



عطل



تم إزالة الفلتر / فلتر شارف على منتهي



مؤشر الشحن/ مستوى البطارية منخفض

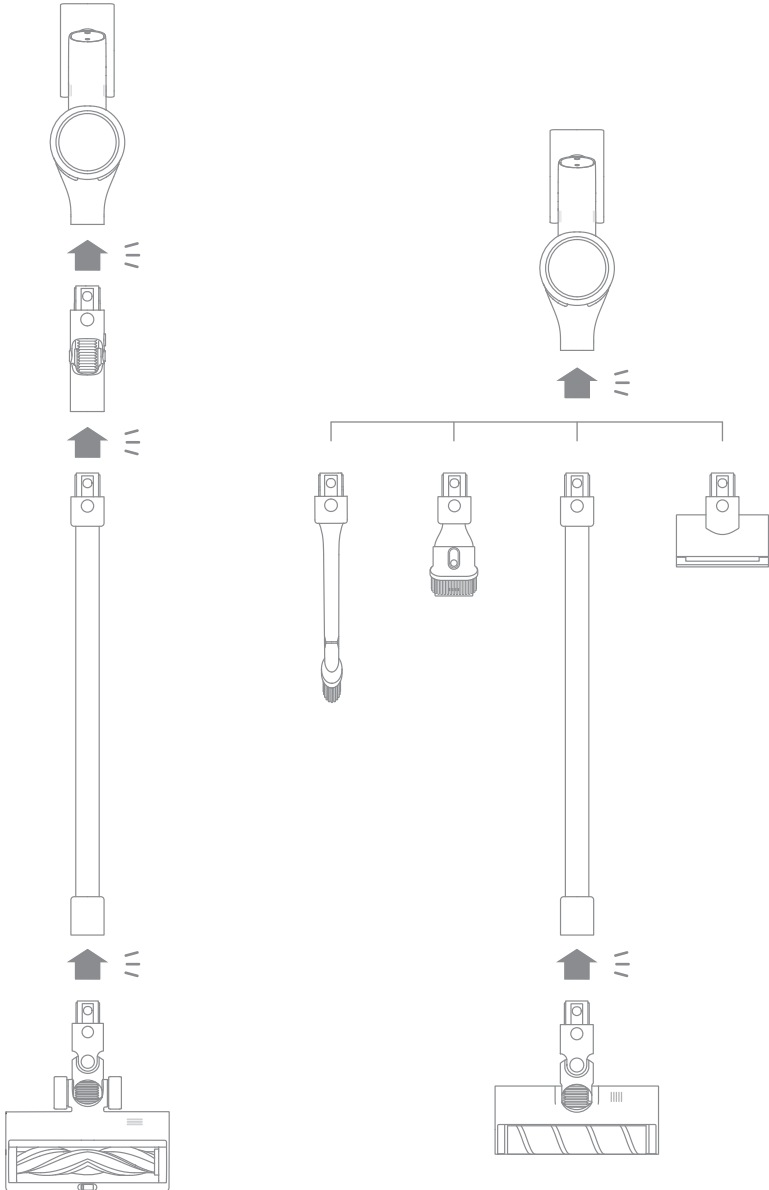


- وميض باللون الأحمر: مستوى البطارية $\geq 10\%$
- وميض بطيء بالأحمر: مستوى البطارية $\geq 10\%$ (الشحن)
- وميض بطيء بالأخضر: مستوى البطارية $< 10\%$ (الشحن)



تركيب الجهاز الرئيسي

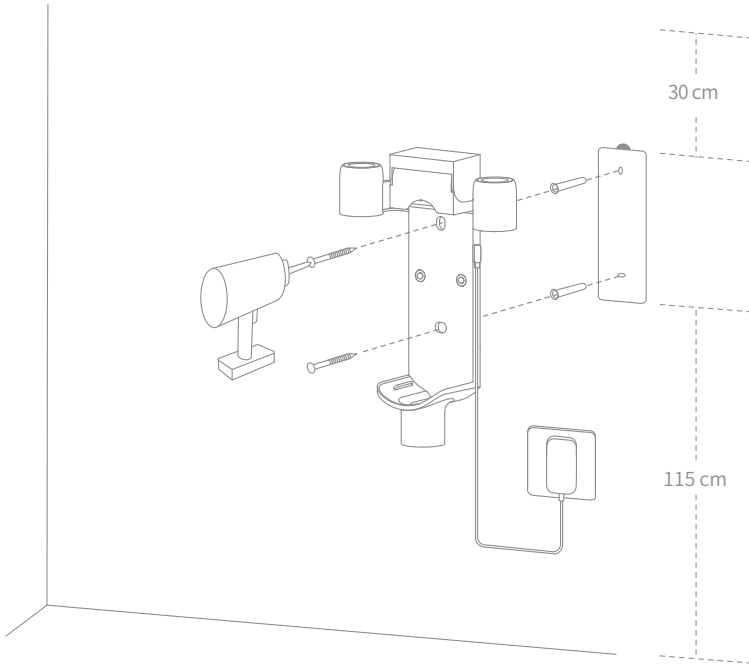
طريقة



تركيب حامل الشحن والتخزين 2 في 1

1. ضع ماصق التثبيت على الحائط واجعله موازيًا للأرض. يوصى بأن يكون الطرف السفلي للماصق أكثر من 115 سم من الأرض، ويجب أن يترك الطرف العلوي مسافة 30 سم على الأقل دون أي عوائق.
2. استخدم أداة كهربائية مع مثقاب 8 مم لحفر الثقوب وفقاً للثقوب لبثبيت في ماصقات التثبيت، وضع أنبوب التوسعة في الفتحة المحفورة.
3. قم بمحاذاة فتحة التثبيت الخاصة بدعم التخزين بفتحة التثبيت في ماصقات التثبيت، وقم بتثبيت حامل التخزين على الحائط باستخدام البراغي.

(* 30 سم: من أجل الاحتفاظ بمساحة شحن للشراء اللاحق للطيارات الاحتياطية)



ملاحظة:

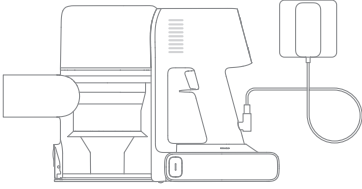
- الحامل هو جزء اختياري، يمكن اختيار تركيبه وفقاً للوضع الفعلي.
- نصيحة: يجب تثبيت حامل التخزين في مكان بارد وجاف مع وجود مصدر طاقة قريب، والتأكد من عدم وجود مرافق مثل الأسلاك أو الأنابيب خلف منطقة التثبيت مباشرة.

ملاحظة:

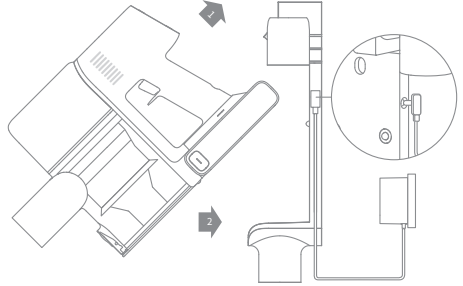
- يرجى شحن البطارية بالكامل عند الاستخدام الاولي.
- مدة الشحن 4 ساعات تقريباً.
- ترتفع درجة حرارة البطارية بعد الاستخدام المستمر للجير الفائق، في هذا الوقت إلى زيادة وقت الشحن عند شحن البطارية لذلك يوصى بترك الجهاز الرئيسي يبرد لمدة 30 دقيقة قبل الشحن.

طريقة الشحن

الشحن المباشر لمحول الطاقة



الشحن على المقعد المعلق



طريقة عرض الطاقة

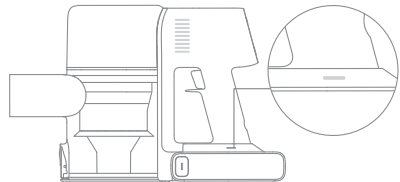
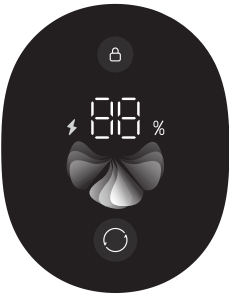
شاشة العرض

عند الشحن تظهر الشاشة الطاقة المتبقية بطريقة رقمية، وعندما تظهر 100 فهذا يعني أن الشحن قد اكتمل.

مؤشر حالة LED للبطارية

عند الشحن تومض مصابيح المؤشرات الثلاثة باستمرار وتتحول إلى ضوء ثابت وفقاً لحالة الطاقة؛ عند اكتمال الشحن، تظل مصابيح المؤشرات الثلاثة ثابتة.

ملاحظة: بمجرد أن يتم شحن المكنسة بالكامل، سيتم إيقاف تشغيل المؤشر بعد 5 دقائق، وسوف تدخل المكنسة في وضع توفير الطاقة.



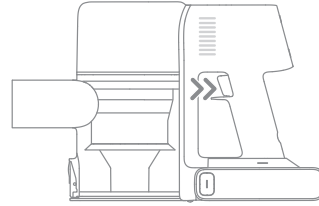
استخدام المنتج

وضع التنظيف

هناك وضعان لعمل مكنسة التنظيف الكهربائية، والتي يمكن اختيارها وفقاً لاحتياجاتك الخاصة.

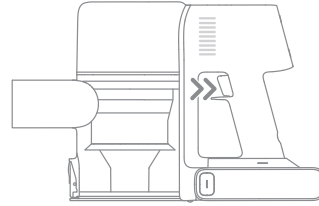
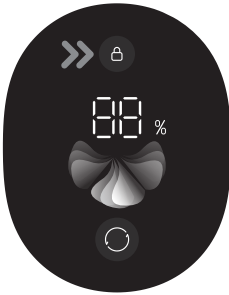
الطريقة الاولى: وضع العمل المتقطع

اضغط مطولاً على مفتاح الجهاز الرئيسي لبدء العمل، وعند الايقاف أعد المفتاح لوضعه الطبيعي.




الطريقة الثانية: وضع العمل المستمر (أمان مفتاح التحرير)


عندما يكون الجهاز الرئيسي الرئيسية قيد التشغيل، اضغط لمرة واحدة ع للتبديل لوضع العمل المستمر، وفي نفس الوقت قم بفتح مفتاح الجهاز الرئيسي، وسوف تستمر الجهاز الرئيسي في العمل.



ملاحظة:

- مؤشر حالة القفل يبقى مضيئاً عند تشغيل وضع العمل المستمر.
- إذا كنت بحاجة إلى الخروج من وضع العمل المستمر، فانقر فوق مفتاح  مرة أخرى.

إعدادات اللغة

اضغط على الزر  لتبديل المستويات بين اللغتين والتوربيني. عندما تكون في الوضع التوربيني، ستضيء جميع الأيقونات التي على شكل مروحة باللون الأبيض. في الوضع اللغتي فقط، يتغير مستوى الشفط ولون الأيقونة التي على شكل مروحة مع كمية الغبار المستنشق.

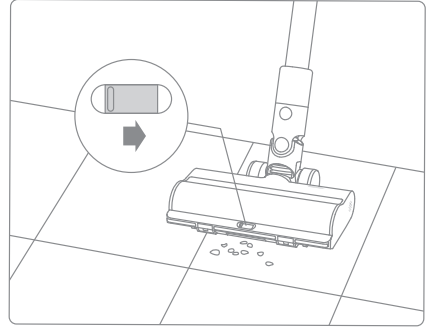
مجال استخدام الملحقات

فرشاة ذكية متعددة الأسطح

ملاحظة:

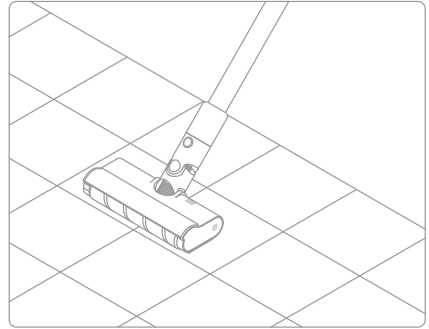
- يمكن توصيل الفرشاة الذكية متعددة الأسطح مباشرة بالمكنسة الكهربائية.
- عند بدء تشغيل الجهاز، سنضيء المصابيح الموجودة أمام أسطوانة الفرشاة تلقائيًا، والذي يعد مناسبًا للاستعمال.

- مناسب لتنظيف السجاد ذو الشعر المتوسط والقصير، وكذلك يمكن استخدامها لتنظيف أرضيات البلاط والأرضيات الخشبية.
- للتنظيف الجزيئات الكبيرة بالمكنسة الكهربائية عن طريق تشغيل مفتاح الفرشاة، مثل حبوب القهوة ورقائق الذرة وما إلى ذلك.



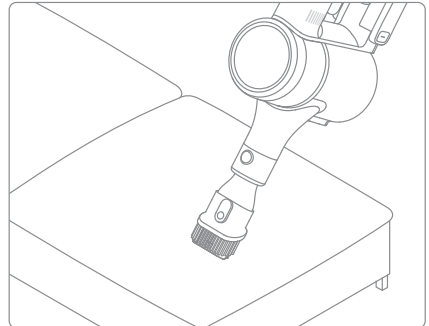
فرشاة أسطوانية دوارة ناعمة

مناسب لتنظيف الأرضيات الصلبة مثل الرخام والأرضيات.



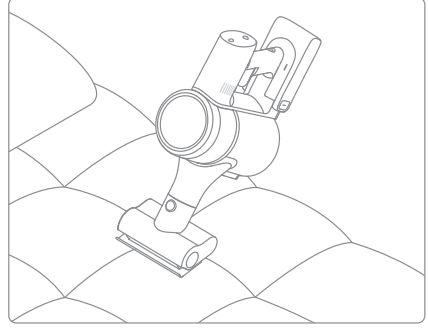
أداة تجميع واسعة

مناسبة لتنظيف غبار اسطح الستائر ولوحات المفاتيح والأسقف والسيارات وطاولات القهوة إلخ.



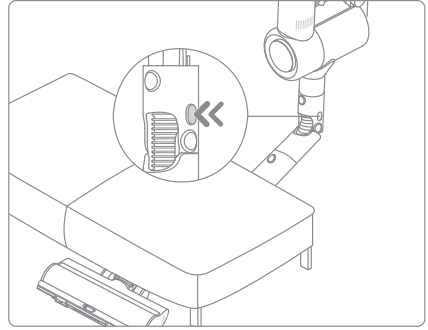
فرشاة كهربائية صغيرة

لتنظيف الأوساخ، وشعر الحيوانات الأليفة، وغيرها من الحطام الصعب من الأرائك، والفرش، والأسطح النسيجية الأخرى. ملاحظة: لا يُنصح باستخدامها على سطح مواد سهلة التمزق وعرضة للخدش (مثل الحرير، إلخ).



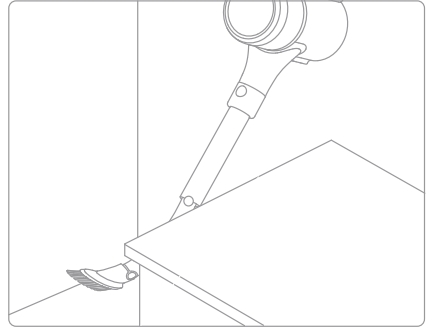
رأس التبديل السفلي

تصل للمناطق السفلية بنقرة واحدة، لتلبية تنظيف الجزء السفلي من الأثاث المنخفض مثل السريرات والأريكات.



أداة تجميع مرنة

فوهة الفرشاة قابلة للانحناء وقابلة للطي، وأكثر مرونة في الشق في داخل الفجوات الضيقة.



ملاحظة:

- قد يتوقف المنتج تلقائياً عند توقف أي جزء دوار، بعد إزالة جميع الأجسام الغريبة العالقة، يمكنك الاستمرار في استخدامه.
- عند ارتفاع درجة حرارة المحرك، ستتوقف المكنسة الكهربائية تلقائياً. انتظر حتى تعود درجة حرارة البطارية إلى وضعها الطبيعي، ثم استأنف الاستخدام.

احتياطات الصيانة

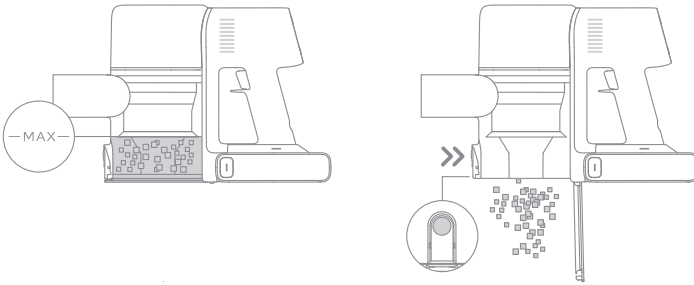
- استخدم دائماً قطع الغيار الأصلية لإبقاء الضمان سارياً.
- في حالة انسداد الفلتر أو الفوهة، ستوقف المكنسة عن العمل بعد فترة وجيزة من تشغيلها، ولاستعادة العمل، قم بتنظيف الفلتر أو الفوهة.
- إذا لن يتم استخدام المكنسة الكهربائية لفترة طويلة، قم بشحنها بالكامل وفصلها عن الطاقة ثم تخزينها في بيئة باردة منخفضة الرطوبة بعيداً عن أشعة الشمس المباشرة. لتجنب شحن البطارية المفرط، أعد شحن المكنسة الكهربائية مرة واحدة على الأقل كل ثلاثة أشهر.

تنظيف الجهاز الرئيسي

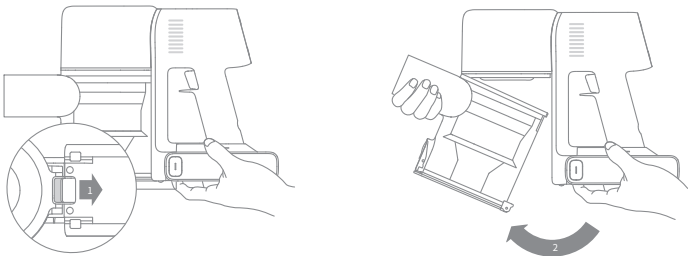
امسح الجهاز الرئيسي باستخدام قطعة قماش جافة وناعمة.

نظف سلة جمع الغبار والفلتر ومكونات النظام المخروطي

1. ضغط على زر فتح الغطاء السفلي لسلة الغبار في اتجاه السهم لفتح الغطاء السفلي لسلة الغبار وتفريغ الغبار من سلة الغبار.



2. كما هو مبين في الشكل 1، اسحب مفتاح إزالة سلة الغبار أسفل حاوية الغبار في اتجاه السهم وقم بإزالة سلة الغبار في نفس الوقت، كما هو موضح في الشكل 2.

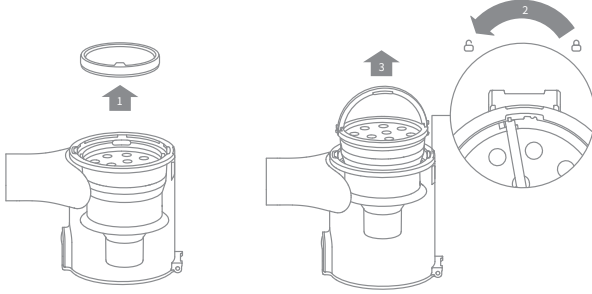


ملاحظة:

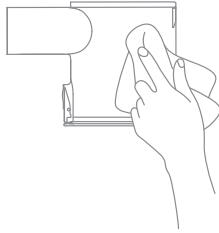
- ستخضع قدرة تنظيف المكنسة الكهربائية عند امتلاء سلة جمع الغبار إلى علامة الحد الأقصى "MAX". لاستعادة القدرة على الأداء، قم بتفريغ سلة الغبار في الوقت المناسب.
- قبل تفريغ السلة، تأكد من فصل المكنسة الكهربائية عن مصدر الطاقة ولا تضغط على زر الطاقة بها.

العناية والصيانة

3. أخرج المرشح الأولي أولاً، ثم اسحب مقبض المكون لتدويره عكس اتجاه عقارب الساعة إلى موضع الإيقاف، وأخرج مكون النظام المخروطي للأعلى.

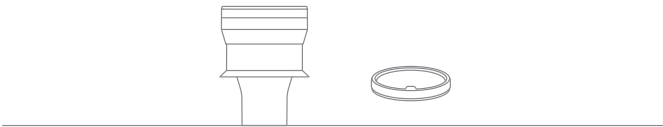


4. امسح الغبار من الكوب بقطعة قماش ناعمة مبللة. راغى عصر قطعة القماش قبل استخدامها.



يحتوي برميل الغبار على عناصر كهربائية
يرجى عدم استخدام الماء أثناء التنظيف

5. اشطف مكونات الفلتر الأمامي ومجموعة نظام الدوران بالماء حتى تصبح نظيفة. بعد الانتهاء، اتركه يجف لمدة 24 ساعة على الأقل لضمان التجفيف الكامل.



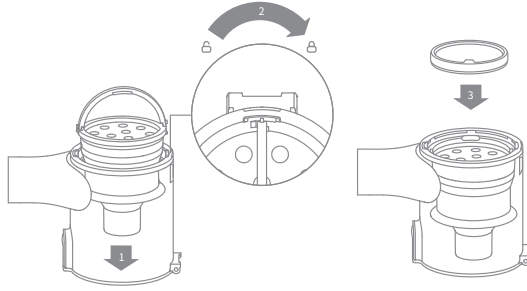
مكونات النظام المخروطي

الفلتر الأولي

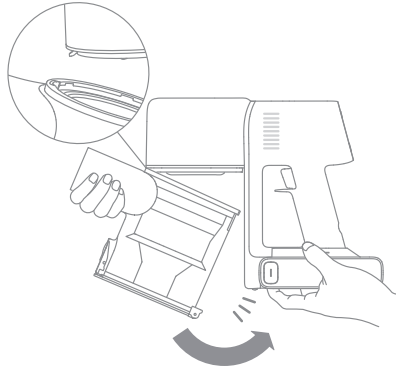
ملاحظة: يوصى بغسل الفلتر الأولي على الأقل مرة واحدة كل 3 أشهر ومكونات النظام المخروطي مرة واحدة على الأقل كل 6 أشهر.

تركيب سلة جمع الغبار والفلتر الأولي ومكونات النظام المخروطي

1. قم بإدخال مكونات النظام المخروطي عمودياً في سلة جمع الغبار، وتأكد من أن مقبض مكونات النظام المخروطي يصطف مع الفتحة الموجودة على الجانب الأيسر من سلة جمع الغبار. لف المقبض في اتجاه عقارب الساعة حتى يُقفل، ثم اقلب المقبض لأسفل.
2. ضع الفلتر الأولي بحيث يكون جانبه الأمامي مواجهًا لأعلى بمكونات النظام المخروطي.



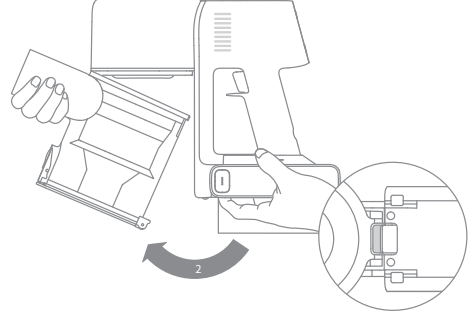
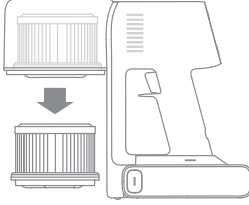
3. قم بإمالة سلة جمع الغبار قليلاً حتى تتوافق فتحتها مع المشبك الموجود على المكنسة الكهربائية. ثم ادفع سلة جمع الغبار برفق حتى تثبت في مكانها.



تنظيف مرشح الداخلي

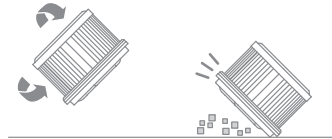
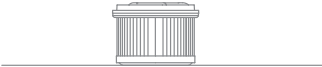
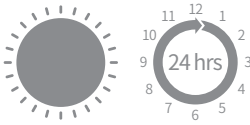
2. اسحب لأسفل في الاتجاه الموضح لإزالة مرشح الداخلي من الجهاز الرئيسي.

1. أزل سلة جمع الغبار كما هو مبين في الصورة.



4. قم بتعرض فلتر الداخلي للهواء لمدة 24 ساعة على الأقل لضمان التجفيف الكامل.

3. قم بغسل فلتر بالماء النظيف، قم بتدوير مرشح بزواوية 360 درجة للتأكد من إزالة الغبار الموجود في فجوات فلتر. اضغط على الفلتر برفق عدة مرات لإزالة كل الغبار.



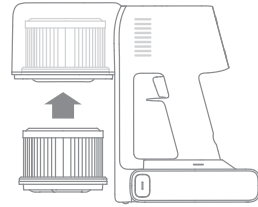
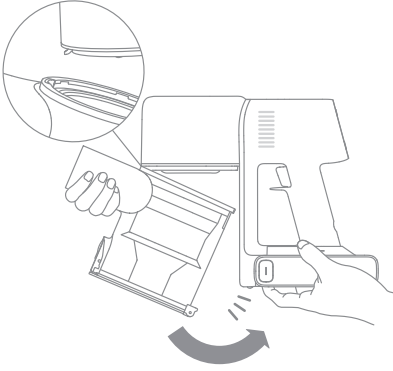
ملاحظة:

- ينصح بغسلة مرة كل 4-6 أشهر.
- يرجى الغسل بالماء النظيف، وعدم استخدام أي منظف.
- تجنب استخدام الفرشاة أو الأصابع لتنظيف فلتر.

تركيب فلتر الداخلي

2. قم بإعادة تركيب سلة جمع الغبار.

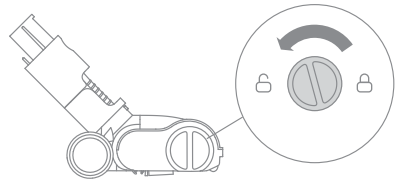
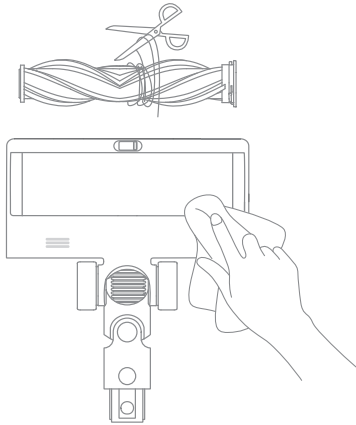
1. قم بتركيب فلتر الداخلي مرة أخرى في الجهاز الرئيسي كما هو موضح في الشكل واضغط عليه برفق.



تنظيف الفرشاة الذكية متعددة الأسطح

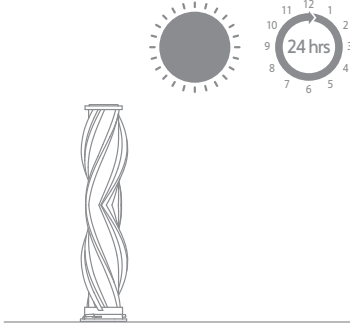
2. استخدم المقص لقص الشعر والألياف الملتصقة ببكرة الفرشاة، امسح الأتربة من الشقوق والغطاء الشفاف بقطعة قماش جافة أو منشفة ورقية، ثم جففه جيدا قبل الاستخدام.

1. لف المزلاج عكس اتجاه عقارب الساعة حتى يتوقف، ثم قم بإزالة البكرة من الفرشاة الدوارة.

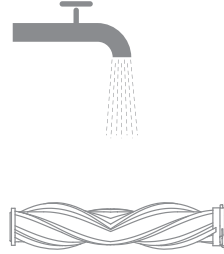


العناية والصيانة

4. ع بكرة الفرشاة في وضع مستقيم لمدة 24 ساعة على الأقل حتى تجف تماماً.

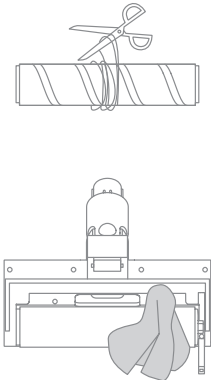


3. عندما تنتسخ، اشطف بكرة الفرشاة بالماء النظيف حتى تصبح نظيفة.

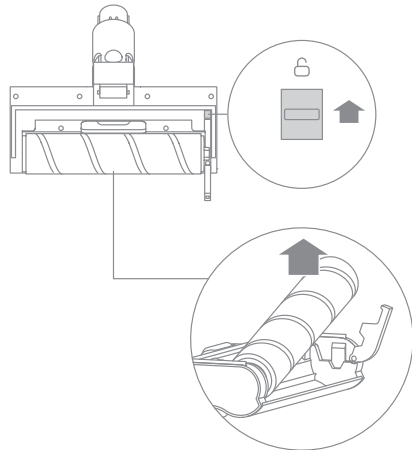


تنظيف الفرشاة الناعمة

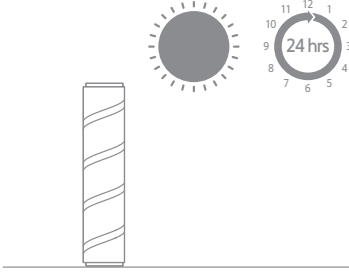
2. استخدم المقص لقص الشعر والألياف العالقة والمحشورة على بكرة الفرشاة والعجلات. امسح الغبار من القلم والغطاء الشفاف بقطعة قماش جافة أو منشفة ورقية. جفّه تماماً قبل الاستعمال.



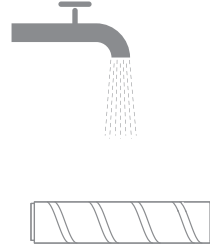
1. كما هو موضح في الصورة، اضغط على زر فصل وحلّ بكرة الفرشاة لإزالة الأسطوانة من الفتحة.



4. ضع بكرة الفرشاة في وضع مستقيم لمدة 24 ساعة على الأقل حتى تجف تماما.

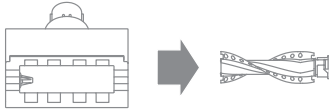


3. عندما تنتسخ، اشطف بكرة الفرشاة بالماء النظيف حتى تصبح نظيفة.

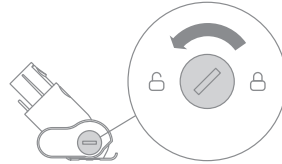


تنظيف الفرشاة الكهربائية الصغيرة

2. بعد فتح الفرشاة الصغيرة الآلية، وأخرج بكرة الفرشاة، ثم تنظيفها جيدا.



1. استخدم عملة معدنية لتدوير القفل عكس اتجاه عقارب الساعة حتى تسمع صوت نقرة.



4. بمجرد أن تجف بكرة الفرشاة، أعد تثبيتها باتباع خطوات التفكيك في الاتجاه المعاكس.



3. ضع بكرة الفرشاة في وضع مستقيم في منطقة جيدة التهوية لمدة 24 ساعة على الأقل حتى تجف تماما.

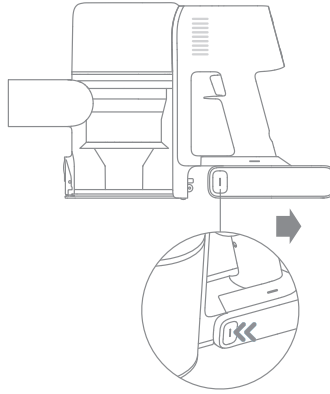


علبة البطارية

تحتوي المكنسة الكهربائية على علبة بطارية ليثيوم أيون القابلة للإزالة وإعادة الشحن والتي تحتوي على عدد محدود من دورات إعادة الشحن. بعد الاستخدام الممتد، قد لا تحتفظ علبة البطارية بشحنة واحدة. وفي حال حدوث هذا الأمر، تكون علبة البطارية قد وصلت إلى نهاية دورة عمرها التشغيلي وتحتاج إلى استبدالها.

1. اضغط لأسفل على زر تحرير علبة البطارية واسحب البطارية إلى اليمين، كما هو موضح، لإزالتها.

2. ثبت علبة البطارية الجديدة.



الجهاز الرئيسي			
34 V ===	جهد الشحن	VTV97A	رقم المنتج
29.6 V ===	الجهد المقدر	570 W	الطاقة المقترنة
4 ساعات تقريباً			مدة الشحن
فرشاة ذكية متعددة الأسطح			
VMB9			الطراز
25.2 V ===	الجهد المقدر	40 W	الطاقة المقترنة
فرشاة أسطوانية دوارة ناعمة			
ASF4			الطراز
25.2 V ===	الجهد المقدر	40 W	الطاقة المقترنة
فرشاة كهربائية صغيرة			
VMM4			الطراز
25.2 V ===	الجهد المقدر	20 W	الطاقة المقترنة
المحول			
87.01%	متوسط الكفاءة النشطة	ZD024M340090EU	الطراز
77.01%	كفاءة التحميل المنخفض (10%)	100-240V~50-60Hz, 0.8 A max	الإدخال
0.1 W	استهلاك الطاقة بدون حمل	34 V === 0.9 A	الإخراج
علبة بطارية ليثيوم أيون القابلة للشحن			
P2033-8S1P-GYA			طراز البطارية
2900 mAh	السعة الاستيعابية الطبيعية	29.6 V ===	الجهد الاسمي:
2750 mAh	تصنيف السعة:	81.4 Wh	الطاقة:

تحتوي علبة بطارية ليثيوم أيون على مواد خطيرة على البيئة. قبل التخلص من المكنسة الكهربائية، يرجى أولاً إزالة علبة البطارية، ثم التخلص منها أو إعادة تدويرها وفقاً للقوانين واللوائح المحلية للبلد أو المنطقة التي تستخدم فيها.

عندما لا تعمل المكنسة الكهربائية بشكل طبيعي، يرجى الرجوع إلى الجدول أدناه للتعامل مع المشكلة.

الحلول	السبب المحتمل	أعطال شائعة
يرجى شحن البطارية بالكامل قبل الاستخدام.	بطارية المكنسة فارغة أو منخفضة.	المكنسة الكهربائية لا تعمل.
تنظيف قناة أو مدخل شفط الغبار وإعادة التشغيل بعد التبريد.	حماية تلقائية ناتجة عن ارتفاع درجة الحرارة بسبب الانسداد.	
تنظيف قناة أو مدخل شفط الغبار.	انسداد قناة أو مدخل شفط الهواء.	
أفرغ السلة من الغبار ونظف الفلتر.	سلة الغبار ممتلئة، الفلتر مليء بالغبار ومسدود.	انخفضت قوة الشفط.
نظف انسداد الملحقات.	انسداد الملحقات.	
قم بتنظيف الترسبات الموجودة في مدخل الشفط الرئيسي وأنبوب الألياف الكربونية	انسداد مدخل الشفط الرئيسي أو أنبوب الألياف الكربونية	وجود صوت غريب عند تشغيل المحرك.
يرجى الاتصال بخدمة ما بعد البيع للإصلاح.	البطارية تالفة.	البطارية تشحن ببطء.
يرجى استخدام محول الطاقة الأصلي.	محول الطاقة لا يتطابق.	يضيئ المؤشر الأول باللون الأحمر عند التشغيل.
تأكد من محول الطاقة موصل بشكل صحيح.	الجهاز الرئيسي لا يتصل جيدا بمحول الطاقة.	لا يضيئ مؤشر البطارية أثناء الشحن.
يمكن استخدام المكنسة الكهربائية في الوضع الطبيعي.	البطارية مشحونة بالكامل ودخلت في وضع السكون.	
إذا استمرت المشكلة بعد استبعاد الاحتمالين المذكورين أعلاه، يرجى الاتصال بخدمة ما بعد البيع للإصلاح.		
يرجى الانتظار حتى تعود درجة حرارة البطارية إلى وضعها الطبيعي قبل الشحن	درجة حرارة البطارية مرتفعة أو منخفضة للغاية.	البطارية تشحن ببطء.
يرجى الاتصال بخدمة ما بعد البيع للإصلاح.	مصابيح الإضاءة LED تالفة.	مصابيح الإضاءة الليد LED الخاصة بالفريشة الذكية متعددة الأسطح مُعَطَّلَةٌ.

عندما تعمل المكنسة الكهربائية بشكل غير طبيعي، ستعرض الشاشة معلومات غير طبيعية، يرجى قراءة محتوى الشاشة ودمج جدول استكشاف الأخطاء وإصلاحها للتعامل مع الموقف غير الطبيعي.

الحلول	تنبيه عن الاعطال	الحالة	أيقونة الاعطال
يرجى الانتظار حتى تصبح درجة حرارة البطارية طبيعية والاستمرار في استخدامها.	تنبيه بارتفاع درجة الحرارة	أحمر وامض	
راجع قسم دليل الصيانة [تنظيف الفرشاة الذكية متعددة الأسطح] لتنظيف مادة الألياف والشعر الملفوف حول أسطوانة الفرشاة.	الفرشاة الإسطوانية عالقة	برتقالي وامض	
تحقق إذا ما كان كوب الغبار، وقضيب ألياف الكربون، والفرشاة الذكية متعددة الأسطح مسدودة.	انسداد قناة الهواء	برتقالي وامض	
يرجى استبدال الفلتر في الوقت المناسب. بعد استبدال الفلتر، اضغط مع الاستمرار على قفل مفتاح التشغيل لمدة 3 ثوانٍ لإعادة تعيين الفلتر.	الفلتر شارف على منتهي	برتقالي وامض	
تأكد من تثبيت فلتر تنقية جسيمات الهواء بكفاءة عالية والفلتر الأولي بطريقة صحيحة.	تم إزالة الفلتر	برتقالي ثابت ومُتواصل	
يرجى الاتصال بخدمة ما بعد البيع للإصلاح.	عطل	أحمر ثابت ومُتواصل	
إذا ظهر أحد رموز الخطأ من E0 إلى E4 على الشاشة، فيرجى الاتصال بفريق خدمة ما بعد البيع للإصلاح.			

למניעת תאונות לרבות מכת חשמל או שריפה הנגרמות כתוצאה משימוש לא נכון, אנא קראו מדריך זה בקפידה טרם השימוש במוצר ושמרו אותו אצלכם לעיון בעתיד.

הוראות בטיחות

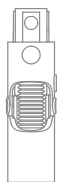
- מוצר זה מותר לשימוש על ידי ילדים בני 8 ומעלה ועל ידי אנשים הסובלים מקלות גופנית, תחושתית או שכלית, או בעלי ניסיון מוגבל או ידע מצומצם במידה והם נמצאים תחת השגחת הורה או מישהו ששומר עליהם וזאת על מנת להבטיח הפעלה בטוחה ולמנוע סכנות מכל סוג שהוא. פעולות הניקיון והתחזוקה לא יבוצעו על ידי ילדים ללא השגחה.
- שואב האבק אינו צעצוע. חל איסור על ילדים לשחק עם המוצר או להפעילו. אנא נקטו זהירות בעת השימוש בשואב האבק בקרבת ילדים. אין לאפשר לילדים לנקות או לבצע פעולות תחזוקה של שואב האבק אלא אם כן יש עליהם השגחה מצד הורה או אדם ששומר עליהם.
- אין לעשות שימוש בשואב האבק שטח פתוח או על גבי משטחים רטובים. השתמשו בשואב האבק רק על גבי משטחים יבשים במקומות סגורים. אין לגעת בתקע החשמל או בכל חלק אחר של שואב האבק בידיים רטובות.
- על מנת למנוע סכנת ההתלקחות, הפיצוץ או הפגיעה, וודאו כי סוללת הליתיום ומתאם הטעינה אינם פגומים טרם השימוש. אין לעשות שימוש בשואב האבק במידה וסוללת הליתיום או המטען פגומים.
- המברשת הרב-משטחית החכמה, המברשת המיני הממונעת, הסוללה, מוט סיבי הפחמן, והשואב הם מוליכי חשמל ואין לטבול אותם במים או בנוזל אחר. הקפד לייבש את כל הפילטרים לאחר הניקוי.
- כבדי למנוע פציעות כתוצאה מחלקים נעים, כבה את השואב לפני ניקוי המברשת הרב-משטחית החכמה. יש להתקין כראוי את המברשת הרב-שכבתית, כוסית האבק והפילטר לפני שימוש בשואב.
- יש להתשמש ככל האפשר במטען המגיע עם המוצר. אין לעשות שימוש במתאם שאינו רשמי, כיוון שהדבר עשוי לגרום להתלקחות של סוללת הליתיום.
- אין לעשות שימוש בשואב האבק ל שאיבת נוזלים מתלקחים או דליקים, כגון בנזין או חומר מלבין, אמוניה, תכשירי ניקוי לניקוז תעלות או נוזלים אחרים.
- אין לעשות שימוש בשואב האבק לשאיבת חלקיקים של קיר גבס, אפר כגון אפר של קמין או חומרים המעלים עשן או בוערים כגון פחם, בדלי סיגריות או גפרורים.
- יש לבצע סריקה של המשטח המיועד לשאיבה, ובמקרה שמוצאים חתיכות גדולות של נייר, פלסטיק או דברים חדים (כגון זכוכית, מסמרים, ברגים או מטבעות, אשר עשויים לגרום נזק למכונה). או כל דבר שגדול מפתח השאיבה, יש לפנותו לפני השאיבה על מנת למנוע חסימה של המכשיר.
- הרחיקו שערות, בגדים רפויים, אצבעות וחלקי גוף אחרים מפתחים וחלקים ניידים של שואב האבק. אין לכוון את הצינור, מטה או כלים לכיוון העיניים או האוזניים שלכם או להכניס אותם לתוך הפה שלכם.
- אין להכניס שום חפץ לתוך פתחי שואב האבק. אין לעשות שימוש בשואב האבק עם פתחים חסומים. הרחיקו אבק, מוך, שערות או פריטים אחרים שעשויים לצמצם את זרימת האוויר.
- אין להשעין את שואב האבק נגד כיסא, שולחן או משטח לא יציב אחר, כיוון שהדבר עשוי לגרום נזק למכונה או לפגיעה אישית. במידה ושואב האבק ניזוק בעקבות הפלה שלו או שיש בו תקלה מכל סוג אחר, אנא צרו קשר עם מחלקת השירות המוסמכת שלנו. לעולם אין לנסות ולפרק את המכשיר בעצמכם.
- יש להקפיד לנהוג בהתאם לכל ההוראות המופיעות במדריך זה המתקשרות לטעינה חוזרת של הסוללה. כשל בטעינה נכונה של הסוללה בטווח הטמפרטורה המצוין עלול לגרום נזק לסוללה.
- השתמשו רק באביזרים ובחלקי חילוף המומלצים על ידי היצרן.
- וודאו כי שואב האבק מנותק ממקור החשמל כאשר אינו בשימוש למשך פרקי זמן ארוכים כמו גם טרם ביצוע פעולות תחזוקה או תיקון מכל סוג שהוא.
- אנא נקטו זהירות יתרה בעת השימוש בשואב האבק לניקוי מדרגות.
- אין להתקין, להטעין או לעשות שימוש במוצר זהבשטחים פתוחים, בחדרי אמבטיה או סביב בריכה.

- אזהרה מפני סכנת התלקחות: אין לשים כל סוג שהוא של חומר ריחני לתוך מסנן שואב האבק. מוצרים מהסוג הזה ידועים כמכילים חומרים כימיים מתלקחים שעשויים לגרום להתלקחות של שואב האבק.
- השתמש רק במטען המקורי (דגם, ZD024M340090EU) כדי למנוע סכנת התלקחות של סוללת הליתיום-יון.
- השתמש רק בסוללה המאושרת (דגם P2033-8S1P-GYA) כדי למנוע סכנת התלקחות של סוללת הליתיום-יון.
- אם משתחרר חומר מהמצבר, הרחק את אנשי הצוות מהאזור עד שהמצברים יתקררו והאדים יתפזרו.
- דאג לאוורור מרבי, כדי לפזר גזים מסוכנים ולמנוע שאיפה או מגע של האדים עם העור או העיניים.
- נקה כל נוזל שנשפך באמצעות חומר סופג ושרוף את הפסולת.
- אין להשתמש ולאחסן בסביבות חמות או קרות במיוחד (מתחת ל- $0^{\circ}\text{C}/32^{\circ}\text{C}$ פרנהייט ומעל $40^{\circ}\text{C}/104^{\circ}\text{C}$ פרנהייט). בשימוש בסוללה המקורית יש להטעין בטמפרטורת טעינה של בין 0°C ל- 40°C .
- מוצר זה נועד לשימוש ביתי בלבד.

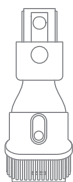
לעיון במדריך מקוון מפורט, בקר בכתובת
<https://global.dreametech.com/pages/user-manuals-and-faqs>

סקירת המוצר

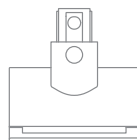
רשימת אביזרים



מתאם חלק תחתון



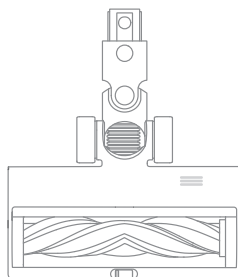
כלי שילוב רחב



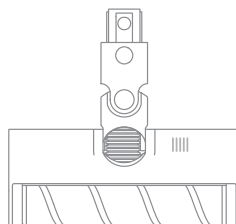
מברשת מיני ממונעת



צינור סיבי פחמן



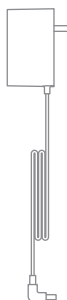
מברשת רב-משטחית חכמה



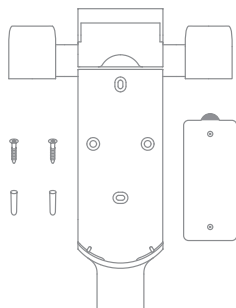
מברשת רולר רכה



כלי שילוב גמיש



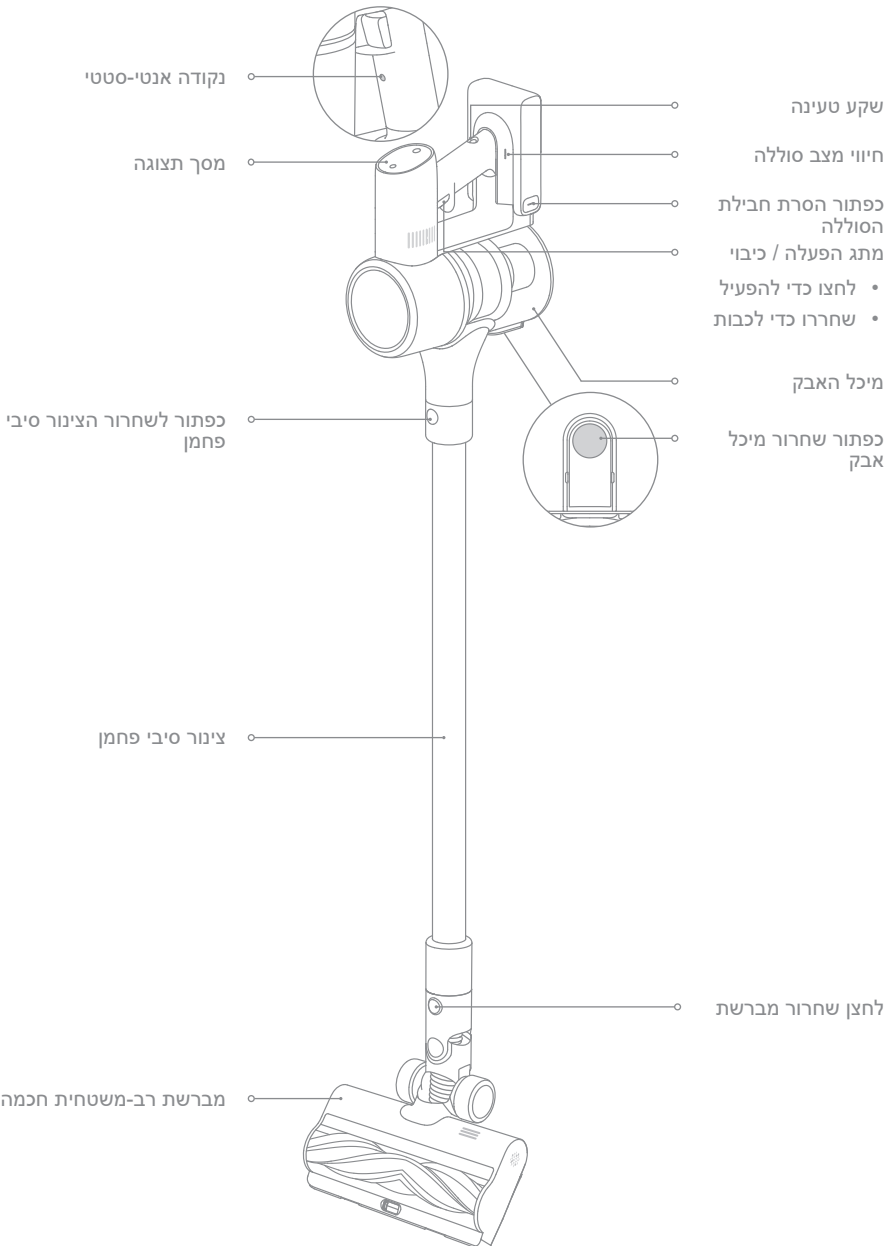
מתאם מתח



מתקן לטעינה ולאחסנה 2 בתוך 1
(כולל ברגים X 2, תקעים לקיר X 2)

תזכורת: תמונות המפרט מיועדות לעיון בלבד, על המראה בפועל מבוסס על המוצר עצמו.

שמות החלקים



סקירת המוצר

הכרת הפונקציות של מסך התצוגה.


התחממות יתר של הסוללה 

מברשת רולר תקועה 

תעלת האוויר חסומה: 

שגיאת סוללה 

המסנן הוסר/מסנן עומד לפוג 

טעינה/מחונן רמת סוללה נמוכה 
 • מהבהב באדום: רמת סוללה $\geq 10\%$
 • מהבהב אדום: רמת סוללה $\geq 10\%$ (טוען)
 • מהבהב ירוק: רמת סוללה $< 10\%$ (טוען)

נעילת מתג הפעלה
 לחצו כדי למתג למצב עבודה

אחוז רמת סוללה
 כאשר מוצג "LO", רמת הסוללה
 נמוכה מ-10%.

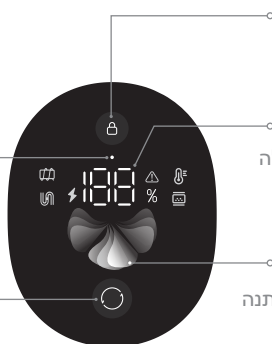
מצב נעילה 

רמת יניקה/רמת אבק

צבע הסמל בצורת מאוורר משתנה
 עם כמות האבק בזמן אמת.

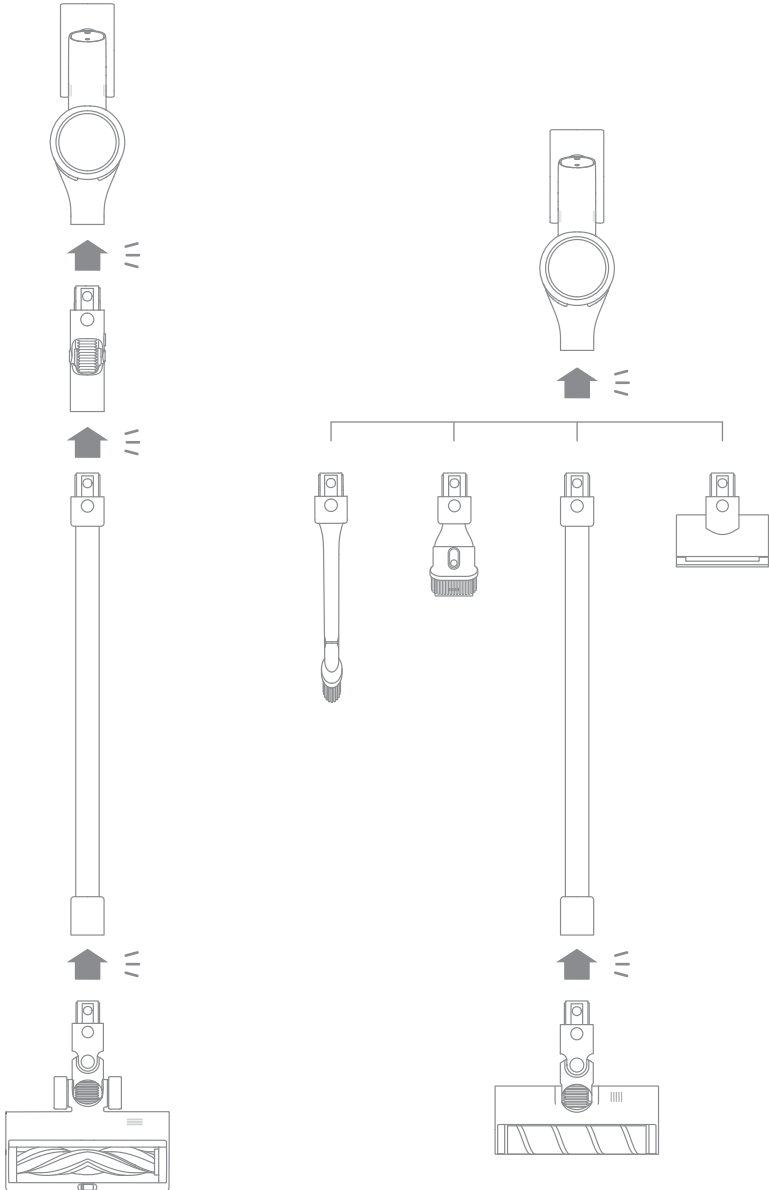
כפתור לכוונן מהירות
 לחיצה קצרה יכולה להחליף
 את הילוך העבודה של שואב
 האבק

• אדום: גבו
 • תפוז: אמצע
 • ירוק: נמוך



תרשים להתקנת שואב האבק והאבזרים

הכניסו עד להקלקה במקום



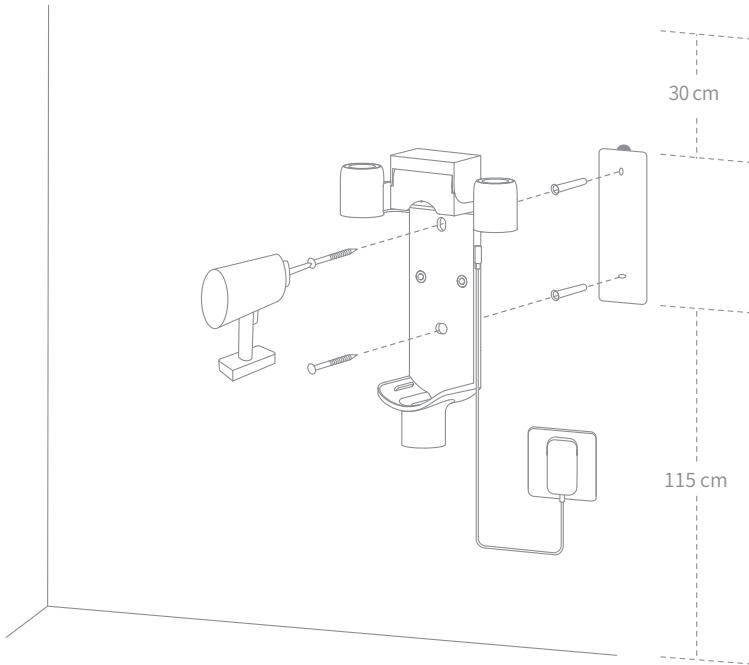
מתקן הטעינה והאחסנה 2 בתוך 1

1. הדביקו את מדבקת קביעת המקום על הקיר כך שהוא שומר על איזון עם הרצפה. מומלץ שתחתית המדבקה תהיה במרחק הגדול מ 115 ס"מ מהרצפה, ושמעל המדבקה תהיה לפחות 30 ס"מ* של איזור פתוח ללא עצמים מפריעים.

2. השתמשו בקדיחה עוצמתית עם מקדח 8 מילימטרים כדי לקדוח חור לכל חור מסומן על מדבקת תבנית המשענת, ואז הכניסו שקע לכל חור

3. תיישרו את החורים על הכן מתקן עם החורים שעל הקיר. הדקו אותם אל הקיר עם הברגים המצורפים.

(30cm* - נועד להשאיר מקום לסוללה רזרבית הניתנת לרכישה בנפרד.)



הערה:

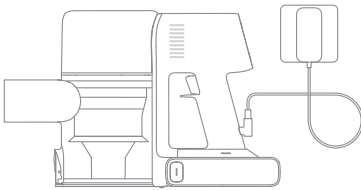
- כן מתקן הטעינה והאחסנה 2 בתוך 1 נחשב לאבזר אופציונלי, באפשרותכם להתקין אותו על סמך הדרישות שלכם.
- הערה: יש להתקין את מתקן האחסון במקום קריר ויבש הסמוך למקור חשמל. יש לוודא שאין קבלי חשמל או צינורות העוברים מאחורי מקום ההתקנה.

הערה:

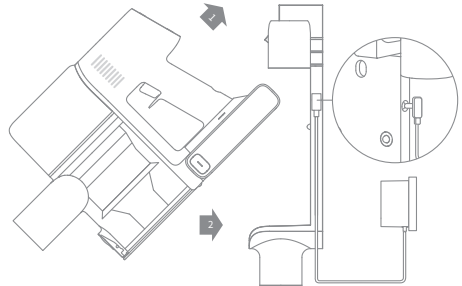
- הטעינה את שואב האבק עד הסוף טרם השימוש בו בפעם הראשונה.
- זמן הטעינה הוא כ-4 שעות.
- שאיבת אבק במצב טורבו למשך פרק זמן ממושך יביא להתחממות של הסוללה, מה שיגדיל את זמן הטעינה. אפשרו לשואב להתקרר למשך 30 דקות לפני טעינתו.

צורות טעינה

טעינת שואב האבק עם המטען



טעינת שואב האבק עם עמדת ההטענה



צורות תצוגת מצב סוללה

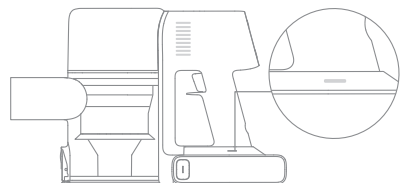
מסך תצוגה

מסך התצוגה מציג את מצב הטעינה באחוזים הדיגיטליים בעת טעינה, והטעינה תושלם כשמוצג 100%.



נורת חייווי מצב הסוללה

בזמן הטעינה, שלושת נורות החיווי יבהבו באופן ממושך, ויהפכו לדלוק קבועה על פי מצב הטעינה. כאשר הטעינה הסתיימה שלושת נורות החיווי יהיו במצב דלוק קבועה. שימו לב: ברגע ששואב האבק טעון במלואו, החיווי ייכבה לאחר 5 דקות, ושואב האבק ייכנס למצב של חיסכון בחשמל.



כיצד להשתמש

מצבי עבודה

ישנם שני מצבי עבודה לשואב האבק, אותם ניתן לבחור בהתאם לצרכים שלכם.

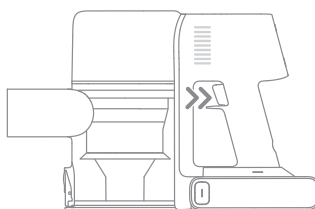
מצב 1: מצב ניקוי לא רצוף

לחצו והחזיקו את מתג שואב האבק כדי להתחיל לעבוד, ושחררו אותו כדי להפסיק מיד.




מצב 2: מצב ניקוי רציף (נעילה אלקטרונית)


כשהמכשיר במצב עבודה פעיל, לחץ לחיצה בודדת על כפתור * לשנות למצב עבודה רציף, בזמן זה שחררו את המתג הפעלה, והמכשיר יפעל במצב רציף. השתמשו במנוע האלקטרוני כדי לשחרר את האצבעות ולהימנע מעייפות האצבעות הנגרמת על ידי לחיצה על המתג.



הערה:

- בזמן פעולה במצב עבודה רציף, נורת החיווי מצב נעול ידלוק באופן קבוע
- לחצו שוב על  כדי לצאת ממצב הניקוי הרצוף.

מתג הילוכים

לחץ על כפתור  להחלפה בין מצבי אוטו וטורבו. במצב טורבו, כל הסמילים בצורת מאוורר ידלקו בלבן. רק במצב אוטומטי, רמת היניקה וצבע סמל המאוורר, משתנים עם כמות האבק שנשאפת.

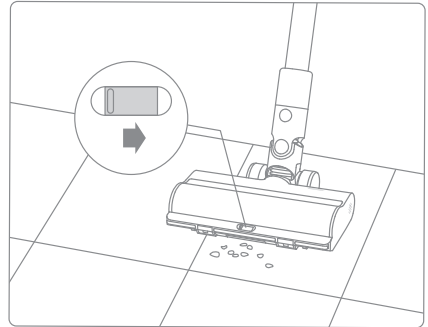
שימוש באביזרים אחרים

מברשת רב-משטחית חכמה

הערה:

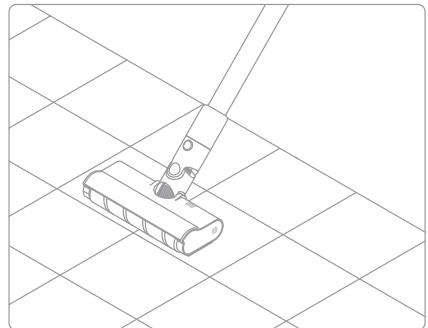
- ניתן לחבר את המברשת החכמה הרב-משטחית ישירות לשואב.
- כאשר המכשיר מופעל, האורות שלפני המברשת הגלגלית יידלקו באופן אוטומטי, וזה נוח לשימוש.

- מתאים לנקיון של שטיחים על סיבים בינוניים וקצרים, וכן ניתן להשתמש בו לניקוי בלטות ופרקט.
- לשאיבת חלקיקים גדולים על ידי הפעלת המתג על המברשת, כגון פולי קפה, פתיתי תירס וכו'.



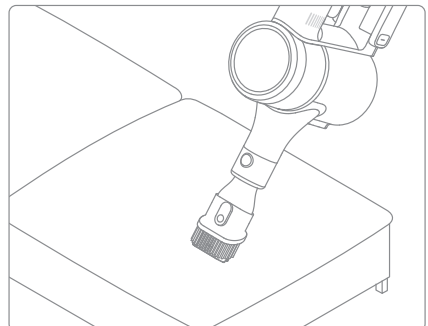
מברשת רולר רכה

מתאים לניקוי רצפות קשות כמו רצפות שיש.



כלי שילוב רחב

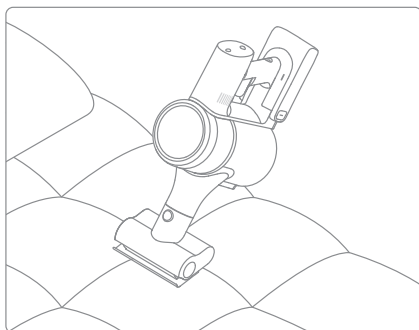
מתאים לניקוי אבק מוילונות, מקלדות, תקרות ופנים הרכב.



כיצד להשתמש

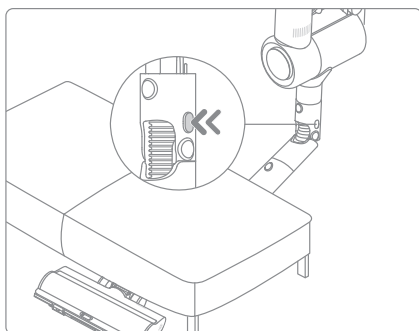
מברשת מיני ממונעת

מתאים לשימוש לניקוי של אבק ושערות בעלי חיים על ספות, אריגים וכו' הערה: לא מומלץ לשימוש על משתחים שנפגעים בקלות (כגון משי וכו').



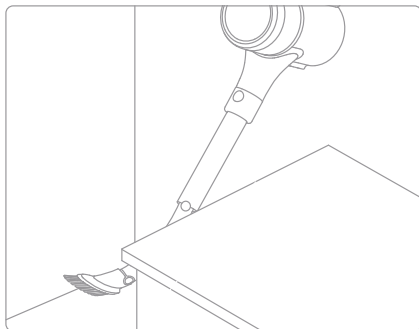
מתאם חלק תחתון

בכפתור אחד מתכופף ונכנס למקומות נמוכים, מספק לצורכי ניקיון מתחת למיטות, ספות, ועוד תחתיות של רהיטים נמוכים.



כלי שילוב גמיש

פיית מברשת ניתנת לכיפוף ונשלפת, גמישה יותר לשאיבת אבק במרווחים צרים.



תזכורת:

- אם חלק מסתובב נתקע, הוואקום עלול להיכבות אוטומטית. הסירו את כל החפצים הזרים שנלכדו, ואז המשיכו להשתמש.
- השואב ייכבה אוטומטית אם המנוע שלו יעבור למצב הגנה מפני התחממות יתר. המתינו עד שטמפרטורת המנוע תחזור לקדמותה לפני שתמשיכו להשתמש.

טיפים:

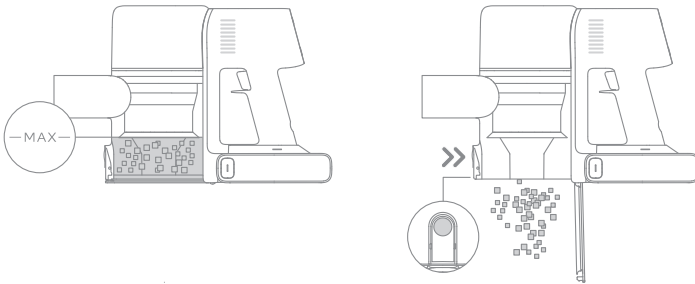
- השתמשו תמיד בחלקים מקוריים על מנת למנוע ביטול של האחריות שלכם על המוצר.
- במידה והמסנן או פי צינור נחסמים, שואב האבק יפסיק לפעול פרק זמן קצר לאחר שמכבים אותו. להחזרת תפקוד שואב האבק לקדמותו, נקו את המסנן או את פי הצינור ורק לאחר מכן המשיכו בשימוש.
- במידה ולא מתוכנן לעשות שימוש בשואב האבק למשך פרק זמן ארוך, הטעינו אותו עד הסוף, נתקו את המתאם שלו ואחסנו אותו בסביבה קרירה עם רמת לחות נמוכה הרחק מאור שמש ישיר. למניעת פריקת יתר של הסוללה, הטעינו מחדש את שואב האבק לכל הפחות פעם ב- 3 חודשים.

ניקיון שואב האבק

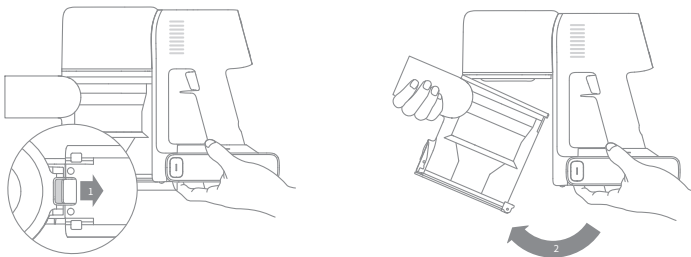
נגבו את שואב האבק בעזרת מטלית יבשה ורכה.

נקיון תא האבק, המסנן ומערכת הציקלון

1. לחצו על הכפתור שבתחתית מכסה תא האבק בכיוון החץ, ואז רוקנו את תוכנו.



2. דחפו את מתג שחרור תא האבק בכיוון שהחץ מורה, ואז הסירו בעדינות את תא האבק משואב האבק.

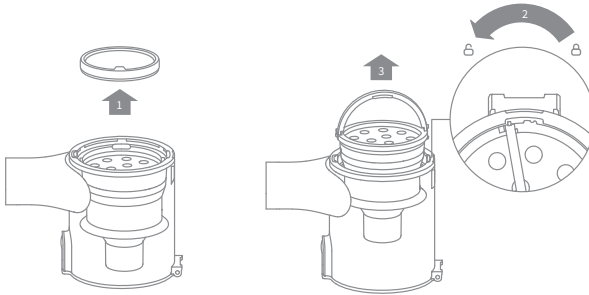


תזכורת:

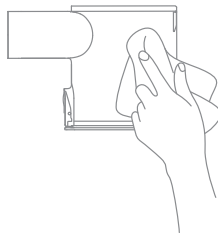
- יכולת הניקיון של שואב האבק תופחת אם תא האבק יהיה מלא עד לסימן המקסימום. כדי לטייב תוצאות, רוקנו את תא האבק אחת לכמה זמן.
- לפני ריקון התא, ודאו ששואב האבק מנותק מהשמל, ואל תלחצו על כפתור ההדלקה.

טיפול ותחזוקה

3. הסירו קודם את המסנן, ואז הרימו את הידית של מערכת הציקלון ותעבירו נגד כיוון השעון עד שזה עוצר, אז משכו כדי להרים את מערכת הציקלון.

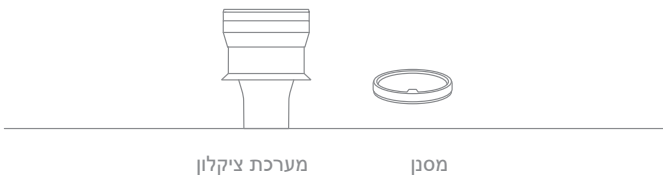
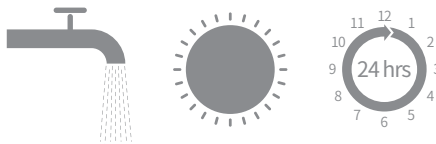


4. נגבו את האבק במטלית רכה ורטובה. שימו לב לסחיתת הבוד לפני השימוש.



מיכל האבק מכיל מרכיבים חשמליים, נא לא לשטוף אותו ישירות במים!

5. אגא השתמשו במים צחים לנקות בשטיפה את המסנן הקדמי ואת המערכת הציקלונית עד שהם נקיים. לאחר השטיפה יבשו את החלקים לכל הפחות 24 שעות על מנת לוודא שיתייבשו לחלוטין.



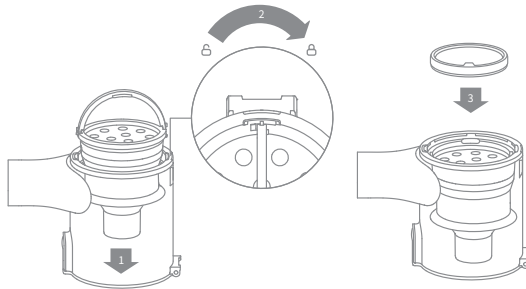
מערכת ציקלון

מסנן

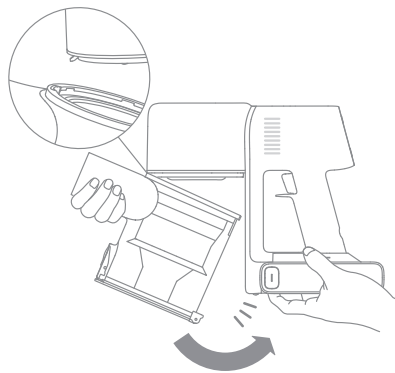
תזכורת: מומלץ לנקות את המסנן הראשי לפחות פעם אחת בכל 3 חודשים. ואת מנגנון הציקלון לפחות פעם ב-6 חודשים.

התקנת תא האבק, הסנן ומערכת הציקלון

1. הכנס את מערכת הציקלון באופן אנכי לתא האבק, וודאו שהידית של אוסף הציקלון נכנסת במקום בצד השמאלי של תא האבק. הפנה את הידית לכיוון השעון עד שהיא ננעלת, ואז הפכו את הידית למטה.
2. מקמו את המסנן על הצד הקדמי עם הפנים למעלה לתוך מערכת הציקלון



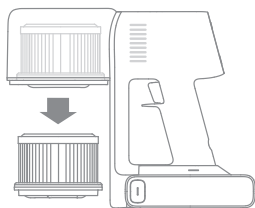
3. הטו בעדינות את תא האבק למקומו בצורה ישירה עם האטם של שואב האבק. לחצו בעדינות על תא האבק בכיוון החץ עד שהוא נכנס למקומו (בהגעתו תישמע "קליק").



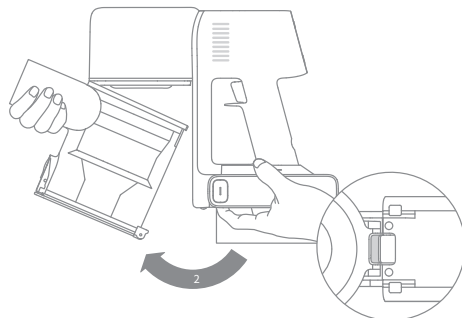
טיפול ותחזוקה

נקיון מסנן ה

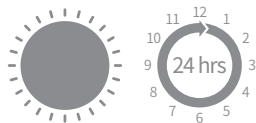
2. הסירו את סנן המשוואב האבק על ידי משיכתו מטה בכיוון שנראה בציור.



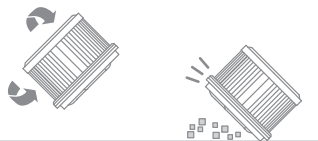
1. הסירו את תא האבק כפי שנראה בציור.



4. תנו למסנן ה להתייבש באוויר 24 שעות.



3. נקו את סנן ה עם מים נקיים. ודאו שאתם מסובבים את סנן ה 360° והסירו את כל האבק שנותר בסנן. טפחו על הסנן בעדינות מספר פעמים כדי להסיר את כל הלכלוך שנותר.

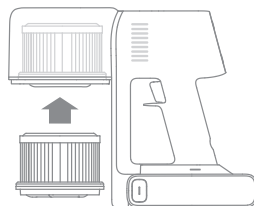


תזכורת:

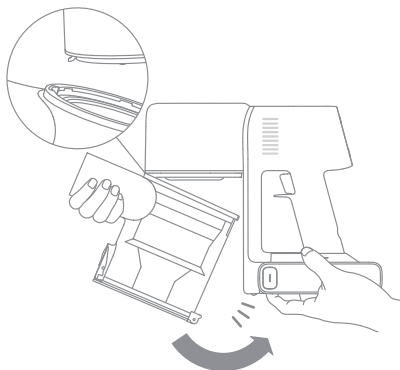
- מומלץ לנקות את מסנן ה לפחות פעם בארבעה עד שישה חודשים.
- השתמשו רק במים נקיים כדי לשטוף את המסנן. אל תשתמשו בחומרי ניקוי.
- אל תנסו לנקות את ה עם מברשת או עם אצבע

התקנת סנן ה

1. הכניסו את סנן ה לתוך שואב האבק ודחפו אותו למטה בעדינות, לפי הדוגמה

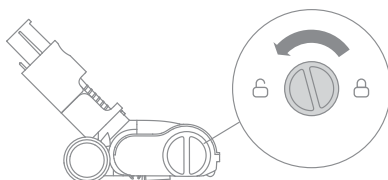


2. התקינו מחדש את תא האבק

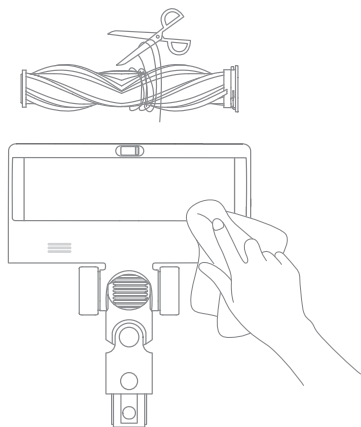


ניקוי המברשת הרב-משטחית החכמה

1. סובבו את המנועל נגד כיוון השעון עד שהוא נעצר, ואז הסירו את הגלגלת מהמברשת הגלגלית.

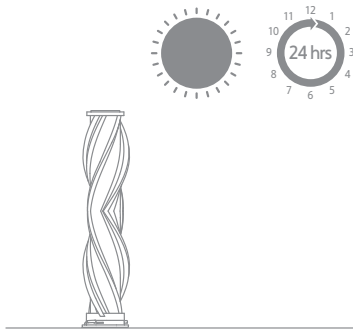


2. השתמשו במספריים כדי לגזור את השערות והסיבים שנתקעים על גלגלת המברשת. נגבו את האבק מהחריץ והכיסוי השקוף במטלית יבשה או במגבת נייר. יש לייבש ביסודיות לפני השימוש.

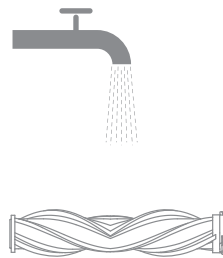


טיפול ותחזוקה

4. יש להחזיק את גלגלת המברשת זקופה למשך 24 שעות לפחות עד שהיא מתייבשת לחלוטין.

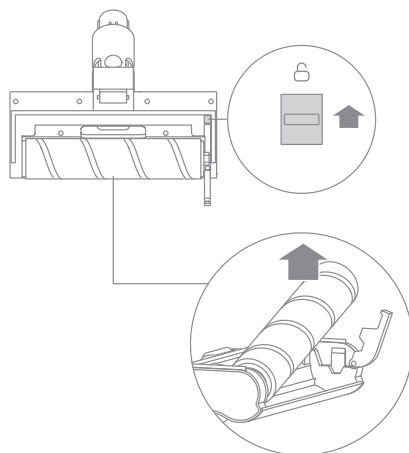


3. כאשר הוא מלוכלך, לשטוף את גלגלת המברשת עם מים נקיים עד שהוא נקי.

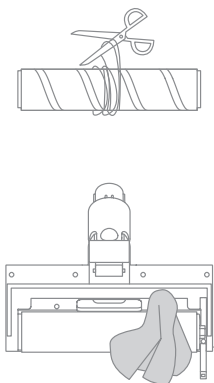


ניקוי מברשת הרולר הרכה

1. כפי שמוצג בתמונה, לחץ על הכפתור לשחרור רולר המברשת כדי להסיר את הגליל מהחריץ.

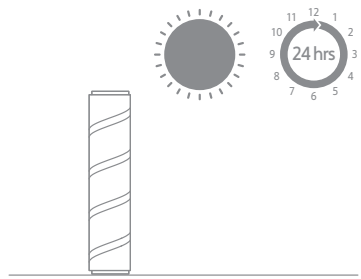


2. השתמש במספריים כדי לגזור את השערות והסיבים שנתקעו על רולר המברשת והגלגלים. נגב את האבק מהחריץ והכיסוי השקוף, עם מטלית יבשה או מגבת נייר. יבש היטב לפני השימוש.

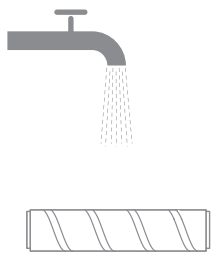


טיפול ותחזוקה

4. יש להחזיק את גלגלת המברשת זקופה למשך 24 שעות לפחות עד שהיא מתייבשת לחלוטין.

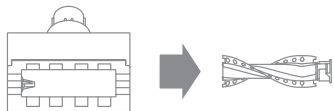


3. כאשר הוא מלוכלך, לשטוף את גלגלת המברשת עם מים נקיים עד שהוא נקי.



ניקוי מברשת המיניממונט

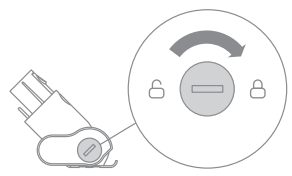
2. לאחר ביטול הנעילה של המיני-מברשת הממונת, הסר את גלגלת המברשת, ולאחר מכן שטפו ונקו אותה.



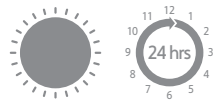
1. השתמשו במטבע בהתאם לאיור לסיבוב הנעילה כנגד כיוון השעון עד שתשמעו צליל הקלקה.



4. לאחר ייבוש המברשת הגלגלית, התקינו אותה מחדש על ידי ביצוע שלבי הפירוק לאחר.



3. החזיקו את גלגלת המברשת זקופה באזור מאוורר היטב למשך 24 שעות לפחות עד שהיא מתייבשת לחלוטין.

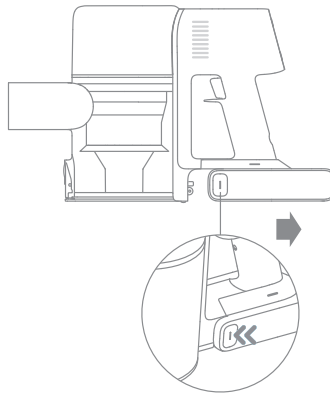


חבילת הסוללה

יון, שניתנת להסרה, בעל מספר מוגבל של מחזורי טעינה. לאחר שימוש ממושך, ייתכן שמארז הסוללות כבר לא יחזיק בטעינה. אם זה קורה, המשמעות היא שחבילת הסוללה הגיעה לסוף מחזור החיים שלה ויש להחליפה.

1. לחצו על הכפתור לפירוק הסוללה, והחליקו את הסוללה לאחור לשחרורו.

2. התקינו סוללה חדשה.



שואב אבק			
34 V ===	דגם המוצר	VTV97A	שואב אבק
29.6 V ===	כוח טעינה	570 W	דרגת מתח
משוער: 4 שעות			סיווג הספק
מברשת רב-משטחית חכמה			
VMB9			סיווג מתח
25.2 V ===	מתח מדורג	40 W	כוח חשמל מדורג
מברשת רולר רכה			
ASF4			סיווג מתח
25.2 V ===	מתח מדורג	40 W	כוח חשמל מדורג
מברשת מיני ממונעת			
VMM4			סיווג מתח
25.2 V ===	מתח מדורג	20 W	כוח חשמל מדורג
מתאם מתח			
87.01%	יעילות פעילה ממוצעת	ZD024M340090EU	דגם
77.01%	יעילות בעומס נמוך (10%)	100-240V~50-60Hz. 0.8 A max	סיווג כניסת מתח
0.1 W	צריכת חשמל ללא עומס	34 V === 0.9 A	סיווג יציאת מתח
סוללת ליתיום נטענת			
P2033-8S1P-GYA			סיווג מתח
2900 mAh	קיבולת נומינלית	29.6 V ===	מתח נומינלי
2750 mAh	סוללה קיבולת	81.4 Wh	אנרגיה

מארז סוללת ליתיום-יון מכיל חומרים מסוכנים לסביבה. לפני שתיפטרו משואב האבק, ראשית הסירו את מארז הסוללה, ומחזרו אותו בהתאם לחוקים ולתקנות המקומיות של המדינה או האזור שבו הוא משמש.

שאלות שנשאלות לעיתים תכופות

במידה ושואב האבק אינו פועל בצורה תקינה, אנא עיינו בטבלת איתור התקלות ופתרון הבעיות שלהלן.

שגיאות תכופות	סיבות אפשריות	פתרונות
שואב האבק לא עובד	שואב האבק הינו ללא סוללה או מתח עבודה נמוך.	טענו את שואב האבק לחלוטין, ואז המשיך להשתמש בו.
	מצב הגנת חימום יתר מופעל על ידי חסימה.	המתינו עד שהשואב יתקרר ואז הפעילו אותו מחדש.
	פתיחת יניקה או מעבר דרכי מעבר האוויר חסומות.	נקו חסימות מפתחי יניקה או דרכי מעבר האוויר
כוח יניקה חלש	תא האבק מלא ו/או מכלול מסנני סתום.	רוקנו את תא האבק ונקו את מכלול מסנן.
	האביזר סתום.	נקה חסימות באביזר.
המנוע משמיע רעש מוזר	פיית השאיבה המרכזית או צינור סיבי הפחמן נסתם	נקה את העצם החוסם את פיית השאיבה המרכזית או צינור סיבי הפחמן
הנורת חיווי הראשונה לאחר הפעלת השואב	הסוללה פגומה.	אנא צור קשר עם מוקד שירות הלקוחות לצורך תחזוקה.
הנורת חיווי הראשונה לאחר הפעלת השואב	מתאם החשמל אינו תואם.	השתמשו רק במתאם הכוח המקורי כדי לטעון את שואב האבק.
חיווי הסוללה לא נדלק בזמן טעינה	המתאם אינו מחובר לשואב האבק.	ודאו שמתאם החשמל מחובר כראוי.
	הסוללה טעונה במלואה ועברה למצב שינה.	ניתן להשתמש באופן רגיל.
	אם הבעיה נמשכת לאחר שלילת שתי האפשרויות לעיל, אנא צרו קשר עם מוקד שירות הלקוחות לצורך תחזוקה.	
נטען לאט	טמפרטורת הסוללה נמוכה מדי או גבוהה מדי.	המתינו עד שהטמפרטורה של הסוללה תחזור למצב רגיל, אז המשיכו להשתמש.
נורות LED של המברשת החכמה הרב-משטחית לא פועלות.	נורות LED פגומות.	אנא צרו קשר עם מוקד שירות הלקוחות לצורך תחזוקה.

בזמן שהמכשיר לא עובד שצורה שגרתית או שעל גבי המסך מופיע הודעה חריגה, יש לקרוא את המופיע על המסך ולטפל בבעייה על פי טבלת השגיאות המצורפת.

קוד שגיאה	מצב	חיווי לשגיאה	פתרונות
	מהבהב באדום	התרעת טמפרטורה גבוהה	המתינו עד שהטמפרטורה של הסוללה תחזור למצב רגיל, ואז המשיכו להשתמש.
	כתום מהבהב	מברשת רולר תקועה	עיין במדריך התחזוקה [ניקוי המברשת הרב-משטחית חכמה] כדי לנקות את הסיבים והשערות הכרוכות סביב רולר המברשת.
	כתום מהבהב	תעלת האוויר חסומה:	בדוק אם כוסית האבק, מוט סיבי הפחמן והמברשת החכמה הרב-משטחית חסומים.
	כתום מהבהב	מסנן עומד לפוג	אנא החלף את המסנן בזמן. לאחר החלפת המסנן, לחץ והחזק את מנעול מתג ההדק למשך 3 שניות לאיתחול המסנן.
	כתום קבוע	המסנן הוסר	בדקו האם המסנן הפנימי והמסנן הקדמי מותקנים.
	אדום קבוע	שגיאת סוללה:	אנא צרו קשר עם מוקד שירות הלקוחות לצורך תחזוקה.
במידה ומופיעים על הצג אחד מבין קודי השגיאה E0-E4, אנא צור קשר עם צוות ת שלאחר קניה לתיקון.			

מארז סוללת ליתיום-יון מכיל חומרים מסוכנים לסביבה. לפני שתיפטרו משואב האבק, ראשית הסירו את מארז הסוללה, ומחזרו אותו בהתאם לחוקים ולתקנות המקומיות של המדינה או האזור שבו הוא משמש.