

The word "dreame" is the abbreviation of Dreame Technology Co., Ltd. and its subsidiaries in China. It is the transliteration of the company's Chinese name "追觅", which means striving for excellence in every endeavor and reflects the company's vision of continuous pursuit, exploration and search in technology.



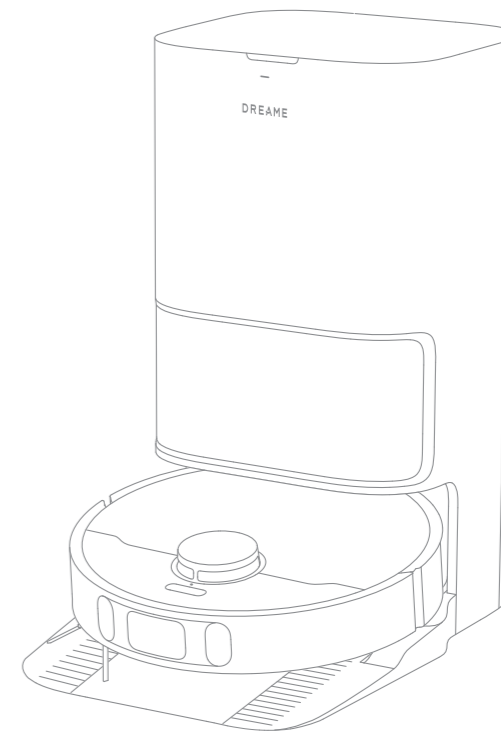
For more support, contact us via <https://global.dreame.tech.com>
Manufactured by: Dreame Trading (Tianjin) Co., Ltd.
Made in China



RLL82CE-2-EU-A01

DreameBot L10s Pro Ultra

Robot Vacuum and Mop with
Auto-Empty and Mop Self-Cleaning
User Manual



DREAME

The illustrations in this manual are for reference only. Please refer to the actual product.

Contents

EN User Manual	001
DE Benutzerhandbuch	028
FR Manuel d'utilisation	056
IT Manuale utente	083
ES Manual de usuario	110
RU Руководство пользователя	137
PL Instrukcja obsługi	165
NL Gebruikershandleiding	193
NO Brukerhåndbok	220
SV Användarmanual	247

Safety Information

To avoid electric shock, fire or injury caused by improper use of the appliance, please read the user manual carefully before using the appliance and keep it for future reference.

Usage Restrictions

- This product should not be used by children younger than 8 years old nor persons with physical, sensory, intellectual deficiencies, or limited experience or knowledge without the supervision of a parent or guardian to ensure safe operation and to avoid any risks. Cleaning and maintenance shall not be performed by children without supervision.
- The appliance is only to be used with the power supply unit provided with the appliance.
- This appliance contains batteries that are only replaceable by skilled persons.
- Clear the area to be cleaned. Children shall not play with the appliance. Ensure children and pets are kept at a safe distance from the robot while it is operating.
- Do not install, charge or use the appliance in the bathrooms or around the pools.
- This product is for floor cleaning in a home environment only. Do not use it outdoors, on non-floor surfaces, or in a commercial or industrial setting.
- Ensure that the appliance operates correctly in a proper environment. Otherwise, do not use the appliance.
- If the power cord is damaged, it must be replaced by a special cord or assembly available from the manufacturer or its service agent.
- Do not use the robot in an area suspended above ground level without a protective barrier.

Safety Information

Usage Restrictions

- Do not place the robot upside down. Do not use the LDS cover, robot cover, or bumper as a handle for the robot.
- Do not use the robot at an ambient temperature above 40°C or below 0°C or on a floor with liquids or sticky substances.
- To prevent damage or harm from dragging, clear any loose objects from the floor, and remove cables or power cords on the cleaning path before operating the appliance.
- Remove fragile or small items from the floor to prevent the robot from bumping into and damaging them.
- Keep hair, fingers, and other body parts away from the suction opening of the robots.
- Keep the cleaning tool out of reach of children.
- Do not operate the appliance in a room where an infant or child is sleeping.
- Do not place children, pets, or any item on top of the robot regardless of whether it is stationary or moving.
- Keep the cleaning solution out of reach of children.
- Use only the officially-approved detergent. Do not add any liquid such as alcohol or disinfectant.
- Do not use the robot to clean any burning objects. Do not use the robot to pick up flammable or combustible liquids, corrosive gases, or undiluted acids or solvents.

Safety Information

Usage Restrictions

- Do not vacuum hard or sharp objects. Do not use the appliance to pick up objects such as stones, large pieces of paper or any item that may clog the appliance.
- Plug must be removed from the socket-outlet before cleaning or maintaining the appliance.
- Do not wipe the robot or the base station with a wet cloth or rinse them with any liquid. After cleaning washable parts, fully dry the parts before reinstalling and using them.
- Please use this product in accordance with the instructions in the User Manual. Users are responsible for any loss or damage that arise from improper use of this product.

Batteries and Charging

- Do not use any third-party battery or base station. The robot can only be used with the model RCLE0301-2 base station.
- Do not attempt to disassemble, repair, or modify the battery or the base station on your own.
- Do not place the base station near a heat source.
- Do not use a wet cloth or wet hands to wipe or clean the base station's charging contacts.
- Do not improperly dispose of old batteries. Unneeded batteries should be discarded at an appropriate recycling facility.
- If the power cord becomes damaged or broken, stop using it immediately and contact after-sales service.

Safety Information

Batteries and Charging

- Make sure the robot is turned off when being transported and kept in its original packaging if possible.
- If the robot will not be used for an extended period of time, fully charge it, then turn it off and store it in a cool, dry place. Recharge the robot at least once every 3 months to avoid over-discharging the battery.

Laser Safety Information

- The laser sensor in this product meets the IEC 60825-1:2014/EN 60825-1:2014/A11:2021 Standard for Class 1 laser products. Please avoid direct eye contact with it during use.

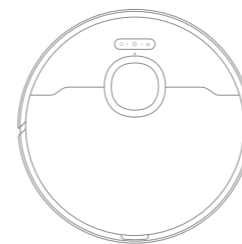
CLASS 1 LASER PRODUCT
CONSUMER LASER PRODUCT
EN 50689:2021

Hereby, Dreame Trading(Tianjin)Co., Ltd. declares that the radio equipment type RLL82CE-2 is in compliance with Directive 2014/53/EU. The full text of the EU declaration of conformity is available at the following internet address: <https://global.dreame.tech.com>

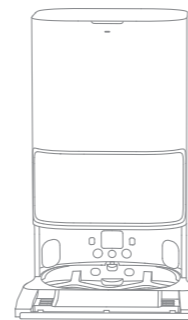
For detailed e-manual, please go to <https://global.dreame.tech.com/pages/user-manuals-and-faqs>

Product Overview

Package Contents



Robot



Base Station

Other Accessories



Side Brush



Power Cord



Base Station Ramp
Extension Plate



User Manual



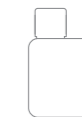
Mop Pad
(pre-installed)



Mop Pad Holder



Dust Bag
(1 pre-installed)



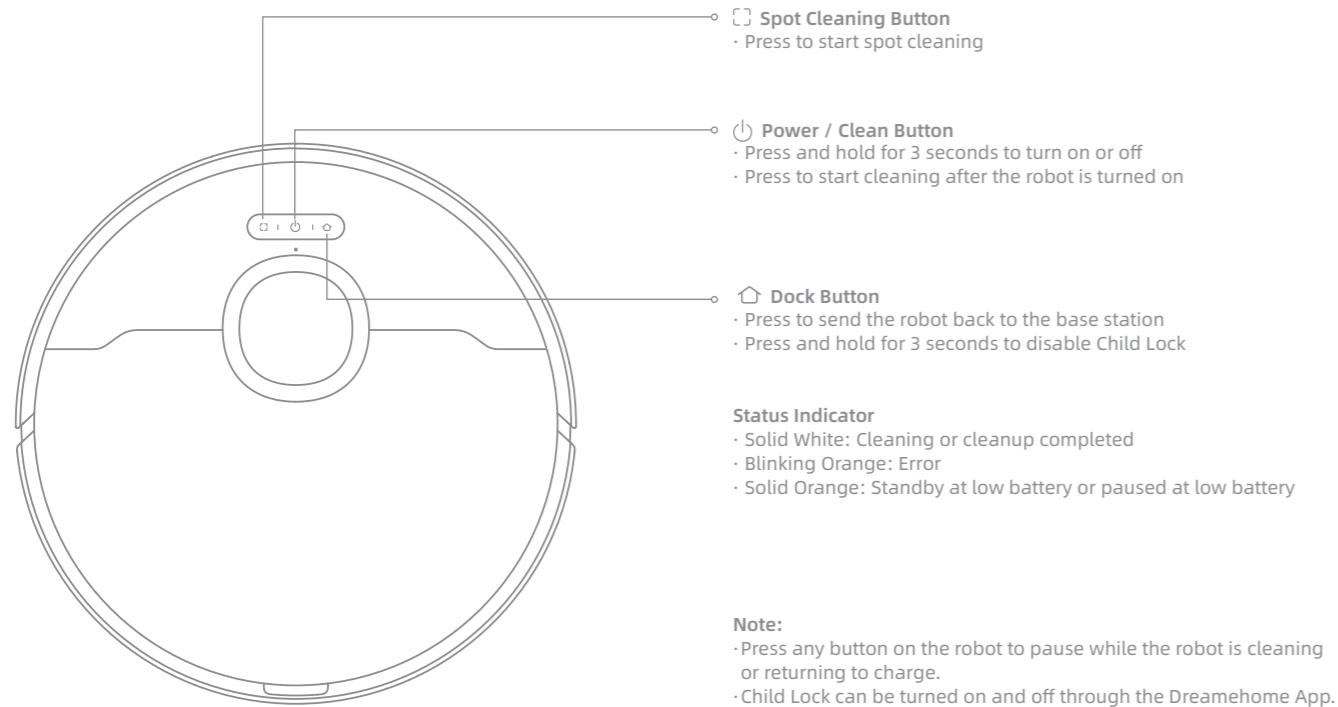
Cleaning
Solution



Cleaning Tool

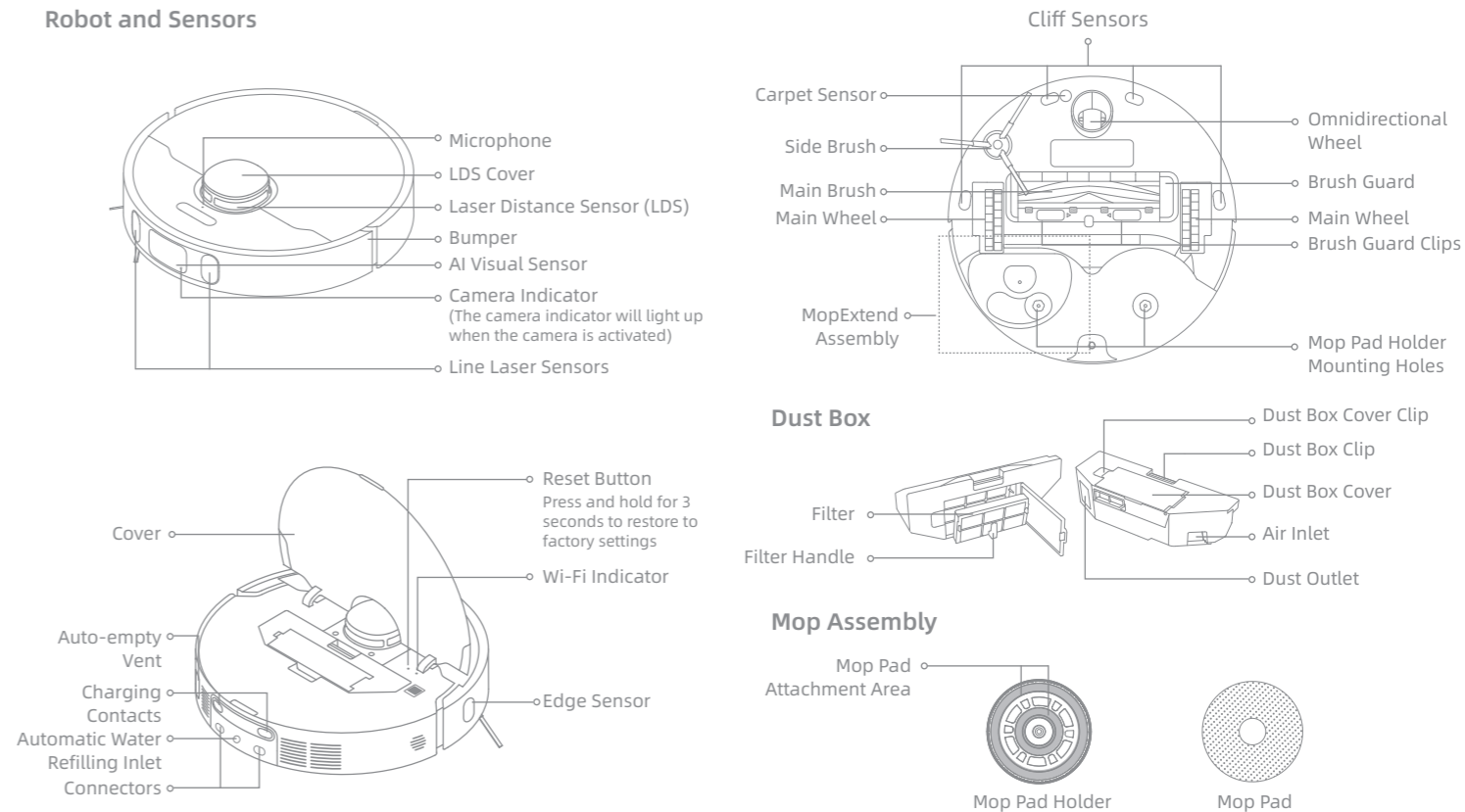
Product Overview

Robot



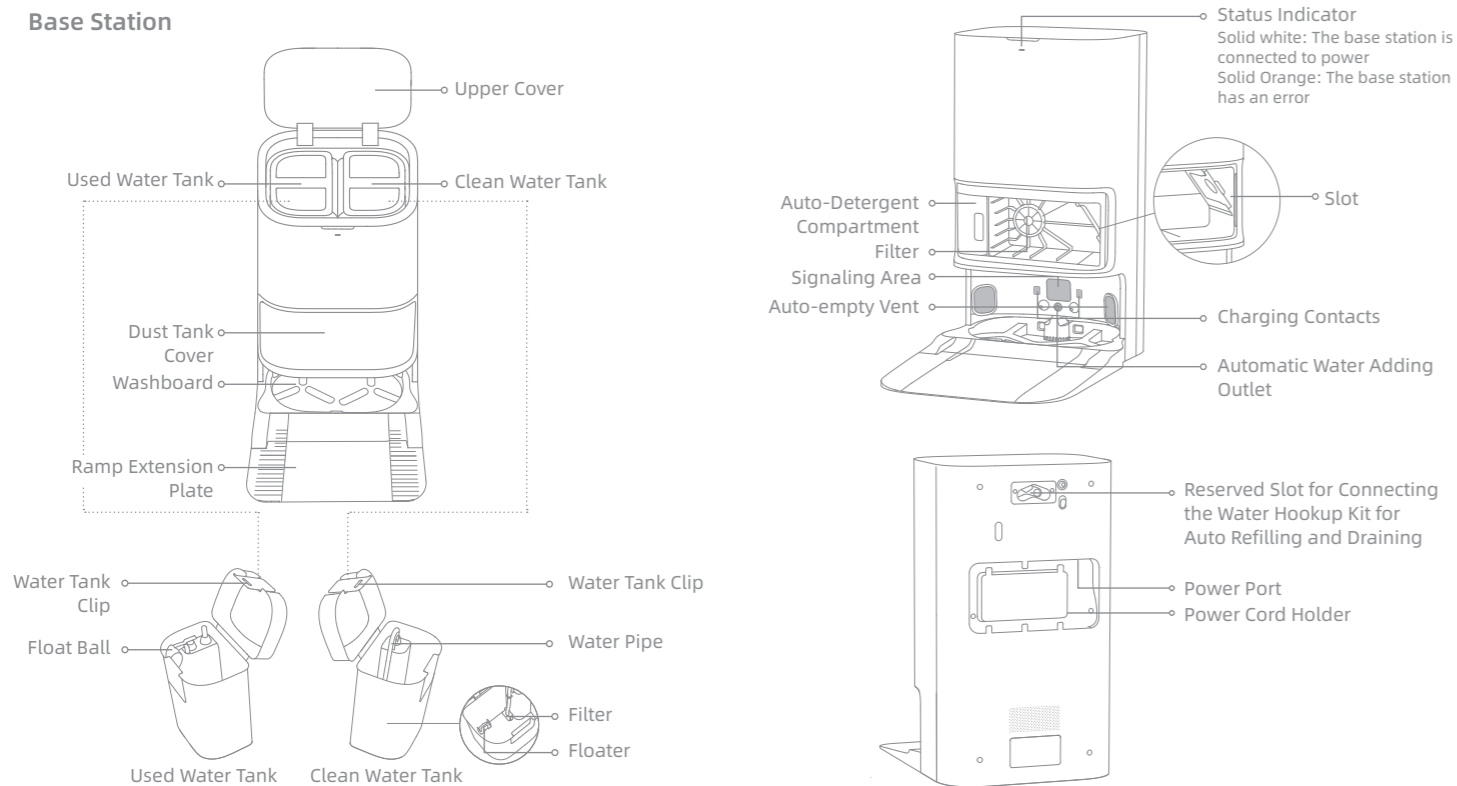
Product Overview

Robot and Sensors



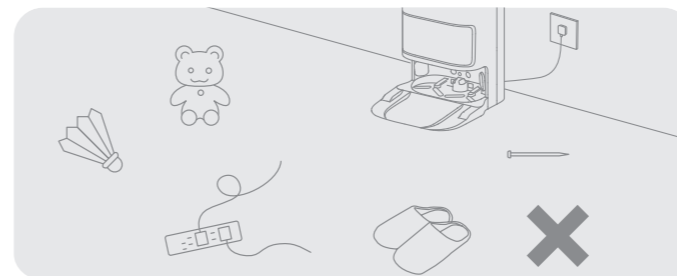
Product Overview

Base Station

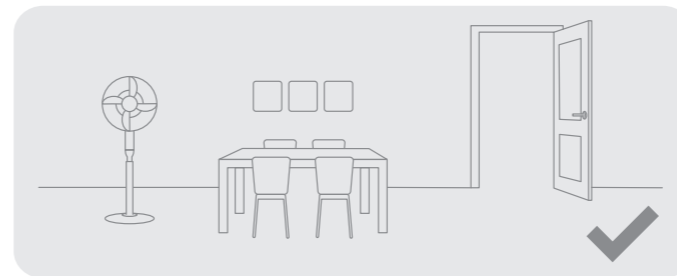


Note: The water hookup kit for auto refilling and draining needs to be purchased separately. (Only available in specific regions)

Preparing Your Home



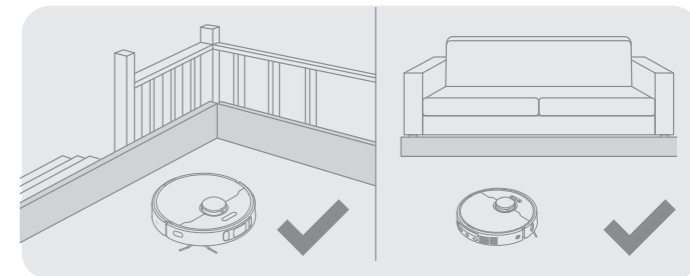
Before cleaning, please move away unstable, fragile, valuable or dangerous items, and clean up cables, cloths, toys, hard objects and sharp objects on the ground to avoid being entangled, scratched or knocked over by the robot and causing losses.



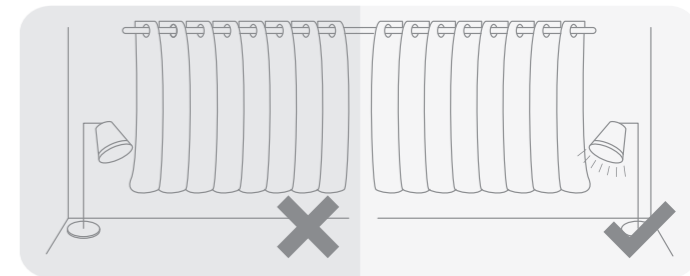
Open the door of the room to be cleaned, and put the furniture in its proper place to leave more space.

Note:

- When operating the robot for the first time, follow it around while cleaning to remove any potential obstacles in time.
- To prevent the robot from not recognizing areas that need to be cleaned, do not stand in front of the robot, threshold, hallway, or narrow places.
- Do not vacuum hard objects like stones, steel balls and toy parts, or sharp objects like construction waste, broken glass and nails, otherwise the ground may be scratched.



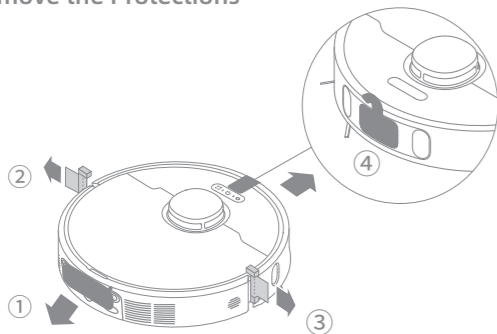
Before cleaning, place a physical barrier at the edge of the stairs and sofa to ensure the secure and smooth operations of the robot.



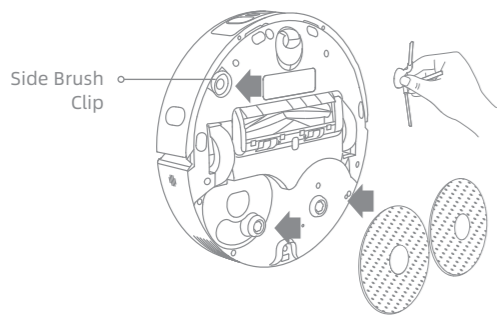
With the AI visual sensor, the robot can better recognize and avoid obstacles such as power cords, shoes, and socks, to get the most out of the AI visual sensor, make sure that all areas to be cleaned are well-lit.

Before Use

1. Remove the Protections



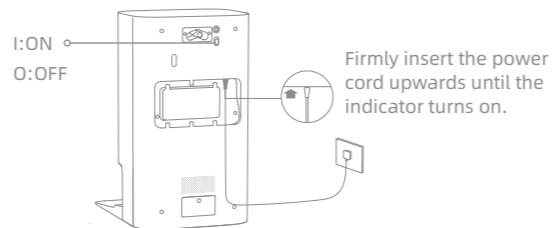
2. Install the Side Brush and the Mop Assembly



Note: Install the side brush until it clicks into place.

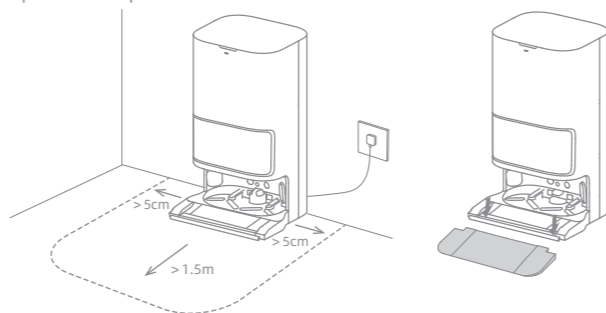
3. Connect to an Electrical Outlet

Place the base station in a location that is as open as possible with a good Wi-Fi signal. Then insert the power cord into the base station and plug it into the socket.



4. Place the Base Station and Install the Base Station Ramp Extension Plate


Place the Base Station and remove any objects that are closer than 1.5 m from the front and 5cm from either side of the base station. Then install the ramp extension plate down to the base station.

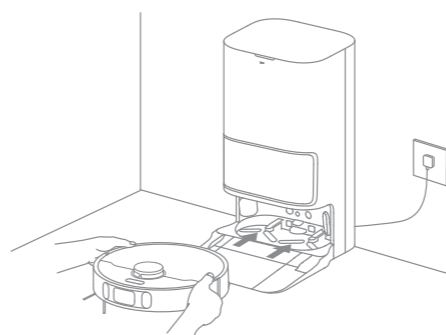


Note: To prevent water stains from wetting wood floors or carpets, placing the base station on tile floors or marble floors is recommended.

Before Use

5. Place the Robot

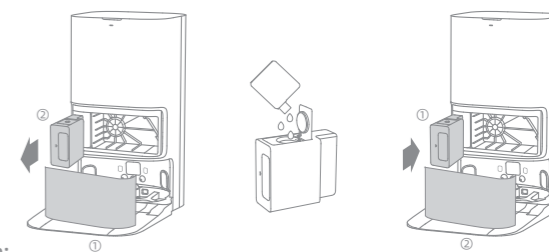
Press and hold the  button on the robot for 3 seconds to turn it on. Place the robot onto the base station with the mop assembly facing toward the washboard. Then you will hear a voice notification when the robot successfully connects to the base station. After the robot is fully charged, the status indicators on the robot and the base station will remain lit for 10 minutes and will then dim.



Note: It is recommended to fully charge the robot before its first use. When the robot cannot be turned on after the battery is depleted, manually connect the robot with the station to charge it.

6. Add the Cleaning Solution

- (1) Remove the dust tank cover and pull out the auto-detergent compartment.
- (2) Open the upper lid of the compartment and add the cleaning solution.
- (3) Close the lid of the compartment, put it back into the base station, and then reinstall the dust tank cover. The cleaning solution will be added into the clean water tank automatically while working.

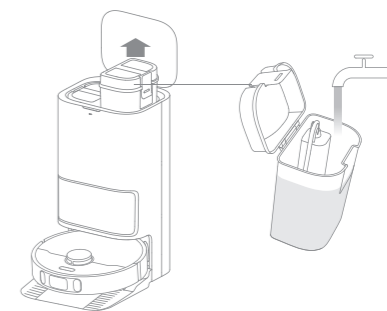


Note:

- Do not add any liquid other than the officially-approved cleaning solution to help prevent malfunction.
- Install the auto-detergent compartment until it clicks into place.

7. Add Water to the Clean Water Tank

Take out the clean water tank from the base station and add clean water into the tank. Then install it back into the base station.

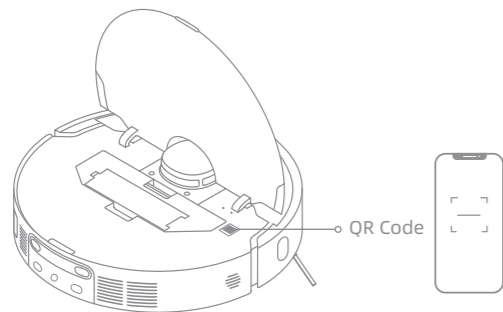


Note: Do not add hot water into the water tank, as this may cause the tank to become deformed.

Connecting with the Dreamehome App

1. Download the Dreamehome App

Scan the QR code on the robot, or search "Dreamehome" in the app store to download and install the app.

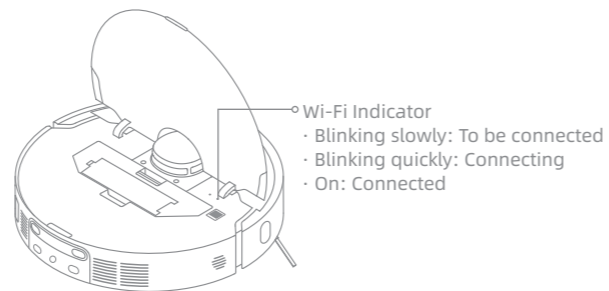


Note:

- Only 2.4 GHz Wi-Fi is supported.
- Due to upgrades in the app software, the actual operations may differ from the directions in this manual. Please follow the instructions based on the current app version.

2. Add Device

Open the Dreamehome app, tap "+" in the upper right corner, and scan the same QR code on the robot again to add the device. Please follow the prompts to finish the Wi-Fi connection.





Note: If you want to reset Wi-Fi, repeat step 2 and then follow the prompts to finish the Wi-Fi connection.

How to Use

Fast Mapping

After configuring the network for the first time, follow the instructions on the app to quickly create a map, and the robot will start mapping without cleaning. The mapping process will be completed when the robot returns to the station, and the map will be saved automatically.

Turn On/Off

Press and hold the  button for 3 seconds to turn on the robot. The power indicator should be illuminated. Place the robot onto the base, the robot should turn on automatically and begin charging. To turn off the robot, move the robot away from the base and press and hold the  button for 3 seconds.

Pause/Sleep

When the robot is running, press any button to pause it.

If the robot is paused for more than 10 minutes, it automatically enters sleep mode. The power indicator and charging indicator will turn off. Press any button on the robot, or use the app to wake up the robot.

Note:

- The robot will turn off automatically if it is left in the sleep mode for more than 12 hours.
- If the robot is paused and placed onto the base station, the current cleaning process will end.

Auto Resume Cleaning

If the battery is too low, the robot will automatically return to the base station to charge. After charging to the appropriate battery level, it will resume unfinished cleaning tasks.

Note: To use this function, please open it in the app.


Do Not Disturb (DND) Mode

When the robot is set to the Do Not Disturb (DND) mode, the robot will be prevented from resuming cleaning and the power indicator goes out. The DND mode is disabled by default at the factory. You can use the app to enable the DND mode or modify the DND period. The DND period is 22:00-8:00 by default.



Note:

- The scheduled cleaning tasks will be performed on time during the DND period.
- The robot will resume cleanup where it left off after the DND period expires.

Spot Cleaning

When the robot is on standby, press briefly the button  to enable the spot cleaning mode. In this mode, the robot cleans a square-shaped area of 1.5 x 1.5 meters around it and returns to its starting point once the spot cleaning is completed.

Robot Restarting


If the robot stops responding or cannot be turned off, press and hold the button  for 10 seconds to forcefully turn it off. Then, press and hold the button  for 3 seconds to turn the robot on.

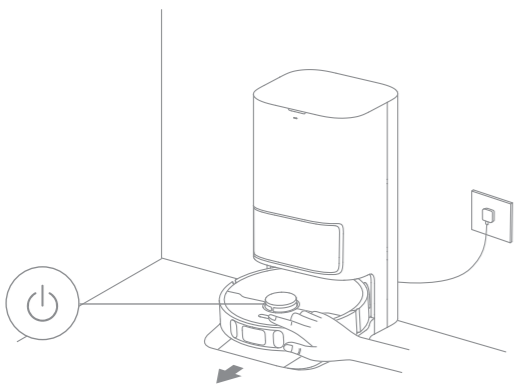
How to Use

Vacuum and Mop

Note: When using the mop assembly for the first time, the robot performs the "Vacuum and Mop" task by default.

1. Start cleaning

Press the button  on the robot, or use the app to make the robot start from the base station. Then the robot will plan the optimal cleaning route and perform the cleaning task based on the created map.

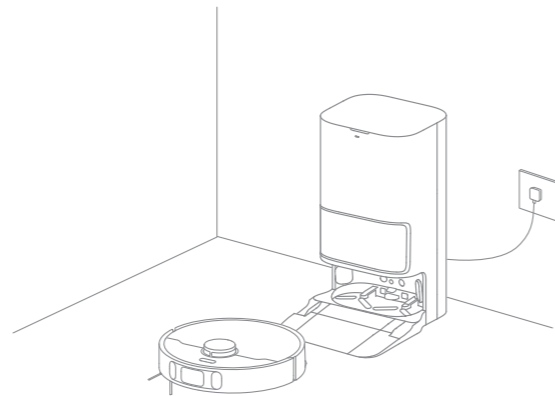


Note:

- The mop pads will be cleaned before the robot starts mopping, please wait patiently.
- Do not move the base station, the clean water tank, the used water tank, or the washboard during its working.

2. Auto mop washing

When cleaning, the robot will automatically return to the base station to wash mop pads based on the mop pad cleaning frequency specified in the app. The base station will automatically refill the robot's water tank and the robot will resume cleanup.

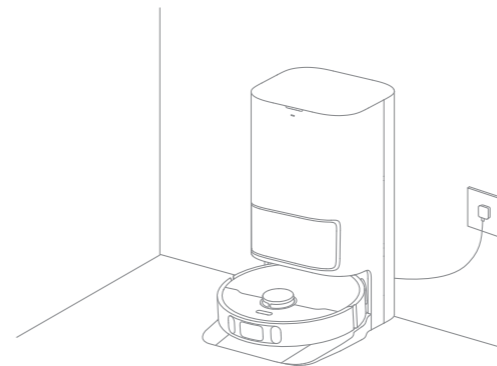


Note: If the robot returns to the base station to wash its mop pads during cleaning, the base station will not automatically empty the dust box.

How to Use

3. Automatically empty the dust box and wash and dry the mop pads after finishing the "Vacuum and Mop" task

After the robot finishes a cleaning task and returns to the base station to charge, the base station will automatically start emptying the dust box, and then clean and dry the mop pads.



Note:

- If the auto-empty function is turned off in the app, the base station will not automatically empty the dust box.
- The base station will empty the dust box according to the frequency set in the app.

4. Clean the used water tank

After the robot has completed the task, please clean the used water tank to avoid any odor.

Vacuum then Mop

Select "Vacuum then Mop" in the app, and the robot will automatically lift the mop assembly to vacuum the floor. After vacuuming is completed, the robot will return to empty the dust box, and then start mopping after automatically lowering the mop assembly.

Vacuum Only

Select "Vacuum Only" in the app and the robot will automatically lift the mop assembly and start vacuuming.

Mop Only

Select "Mop Only" in the app, and the robot will check if the mop assembly is installed. If not, manually install the mop assembly, and then the robot will automatically start mopping.

Routine Maintenance

Parts

To keep the robot in good condition, it is recommended to refer to the accessory usage in the app or the following table for routine maintenance.

Part	Maintenance Frequency	Replacement Period
Used Water Tank	After each use	/
Clean Water Tank	Once every 2 weeks	/
Main brush		Every 6 to 12 months
Dust box's filter		Every 3 to 6 months
Side brush		
Washboard	Once every month	/
Base station's signaling area		
Base station's charging contacts		
Base station's auto-empty vent		
Omnidirectional wheel		
Edge sensor		
Laser Distance Sensor (LDS)		
Line laser sensor		

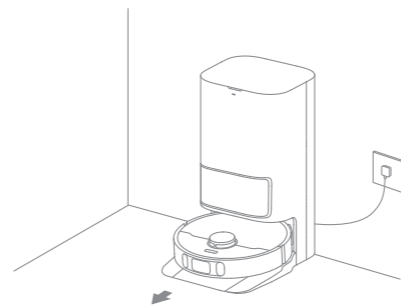
Part	Maintenance Frequency	Replacement Period
AI Visual Sensor	Once every month	/
Carpet Sensor		
Cliff Sensors		
Robot's charging contacts		
Bumper		
Robot's auto-empty vent		
Robot's automatic water refilling inlet		
Bottom of the robot		
Dust box	Clean it as needed	/
Dust bag	/	6-8 weeks
Mop pad	/	Every 1 to 3 months

Note: The replacement frequency will depend on your usage of the robot. If an exception occurs due to special circumstances, the parts should be replaced.

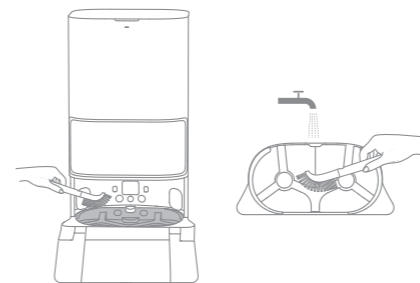
Routine Maintenance

Base Station Cleaning

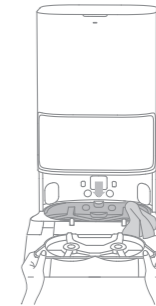
1. Select "Base Station Cleaning" in the app, and the robot will exit the base station automatically. Take out the washboard and wait for water to fill the bottom of the base station.



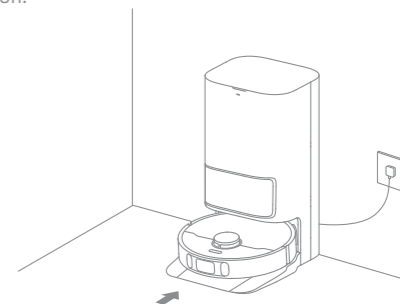
2. Rinse the washboard with clean water, and use the cleaning tool to clean the bottom of the base station.



3. After a moment, the base station will automatically pump out the used water. Then dry it with a soft and dry cloth, and put the washboard back into place.



4. Use the app or briefly press the  button on the robot to make it return to the base station.

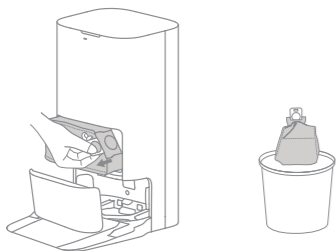


Note: During cleaning, do not make the robot return to the base station.

Routine Maintenance

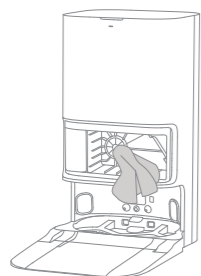
Dust Bag

1. Discard the dust bag.

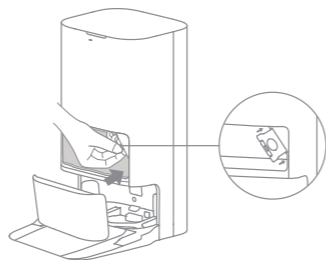


Note: Pulling upwards on the handle will seal the bag to prevent the dust and debris from accidentally falling out.

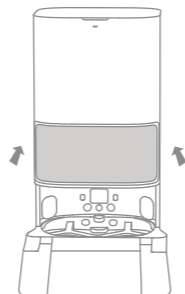
2. Remove the dust and debris from the filter with a dry cloth.



3. Install a new dust bag.



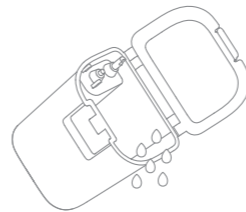
4. Close the cover of the dust tank.



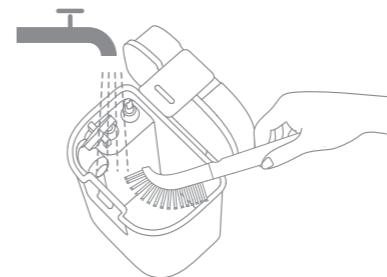
Routine Maintenance

Used Water Tank

1. Remove the used water tank, open its cover and pour out the used water.



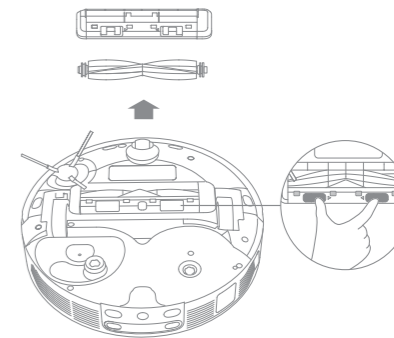
2. Rinse the used water tank with clean water, and use the provided cleaning tool to clean the inner wall of the used water tank.



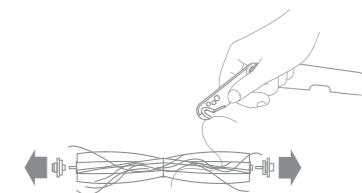
Note: The float ball in the used water tank is a movable part. Do not apply too much force when cleaning it to avoid damaging it.

Main Brush

1. Press the brush guard clips inwards to remove the brush guard and lift the brush out of the robot.



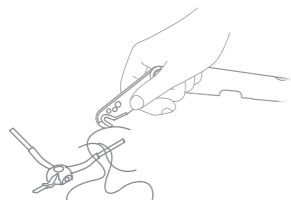
2. Pull out the brush covers at both ends of the brush as shown in the figure. Use the provided cleaning tool to remove the hair tangled in the brush.



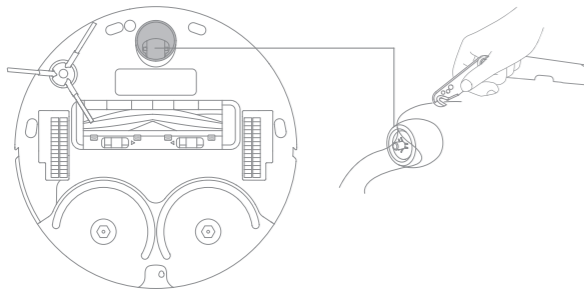
Routine Maintenance

Side Brush

Remove and clean the side brush.



Omnidirectional Wheel

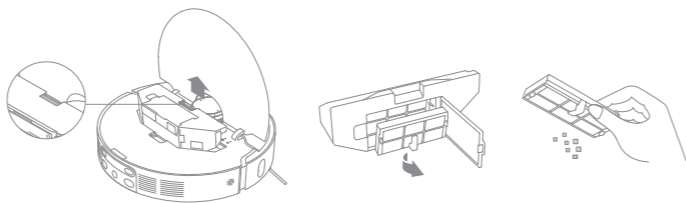


Note:

- Use a tool such as a small screwdriver to separate the axle and tire of the omnidirectional wheel. Do not use excessive force.
- Rinse the omnidirectional wheel under the running water and put it back after drying it completely.

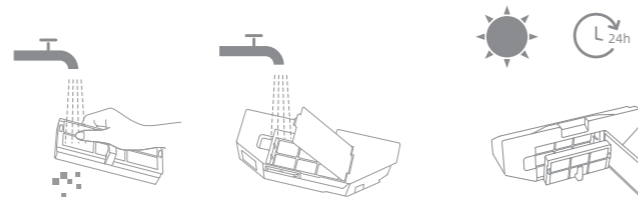
Dust Box and Filter

1. Open the robot cover and press the dust box clip to remove the dust box. Then remove the filter and tap its basket gently.



Note: Do not attempt to clean the filter with a brush, a finger or sharp objects to prevent damage.

2. Rinse the dust box and filter with water and dry them completely before reinstalling.



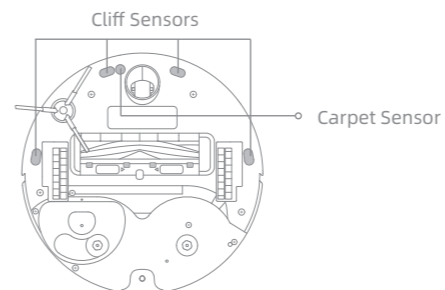
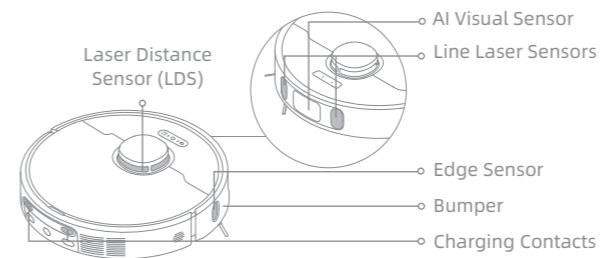
Note:

- Rinse the dust box and filter with clean water only. Do not use any detergent.
- Use the dust box and filter only when they are completely dry.

Routine Maintenance

Robot Sensors and Charging Contacts

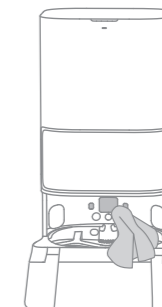
Wipe sensors and charging contacts of the robot by using a soft and dry cloth, as shown in the below figure:



Note: A wet cloth can damage sensitive elements within the robot and the base station. Please use a dry cloth for cleaning.

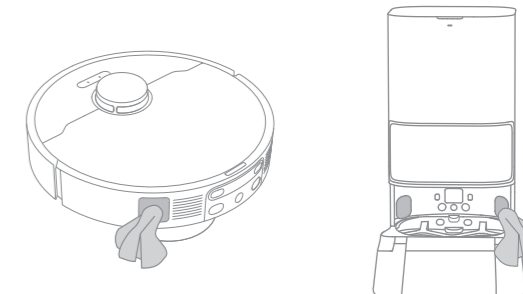
Charging Contacts

Clean the charging contacts and the signaling area of the base station with a soft and dry cloth.



Auto-empty Vents

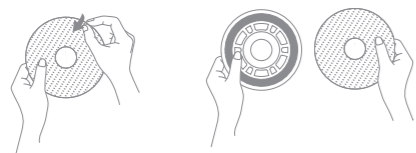
Clean the auto-empty vents of the robot and the base station with a soft and dry cloth.



Routine Maintenance

Mop Pad

Remove the mop pad from the mop pad holder to replace it.



Battery

The robot contains a high-performance lithium-ion battery pack. Make sure that the battery remains well-charged for daily use to maintain optimal battery performance.

Troubleshooting

Problem	Solution
The robot will not turn on.	The battery is low. Recharge the robot on the base and try again. The temperature of the battery is too low or too high. It is recommended to operate the appliance at a temperature between 32°F (0°C) and 104°F (40°C).
The robot will not charge.	The base station is not connected to power, please make sure both ends of its power cord are correctly plugged in. The contact between the charging contacts on the base station and the robot is poor, please clean the charging contacts. Check whether there is any foreign object at the connector of the robot and remove the foreign object if any.
The robot fails to connect to Wi-Fi.	The Wi-Fi network password is incorrect. Make sure the password used to connect to your Wi-Fi network is correct. The robot does not support a 5 GHz Wi-Fi connection. Make sure the robot is connected to a 2.4 GHz Wi-Fi connection. The Wi-Fi signal is weak. Make sure the robot is in an area with good Wi-Fi coverage. The robot may not be ready to be configured. Please exit and re-enter the app, and then try again as instructed.
The robot cannot find and return to the base station.	The base station is disconnected from power or moved when the robot is not on it. There are too many obstructions around the base station. Place the base station in a more open area. Moving the robot may cause it to re-position itself, and it will recreate a map if re-positioning fails. If the robot is too far from the base station, it might not be able to automatically return on its own, in which case you will need to manually place the robot onto the base station. Wipe the signaling area on the base station to remove dust or debris.
The robot gets stuck in front of the base station and cannot return to it.	Clear any obstruction within 5 cm on the left and right sides or within 1.5 m in front of the base station to prevent the robot from being blocked. The route for returning to charge is blocked, e.g. the door is closed. The robot may slip if the floor in front of the base station is overly wet. If so, clean the excess water before trying again. It is recommended to move the base station to a different place and try again. Make sure the ramp extension plate is installed properly.

Troubleshooting

Problem	Solution
The robot will not turn off.	The robot cannot be turned off when it is charging. It is recommended to move the robot from the base station, and then press and hold the button (⏻) for 3 seconds to turn it off. If the robot cannot be turned off by performing step 1, press and hold the button (⏻) for 10 seconds to forcibly turn off the robot. If the problem persists, please contact after-sales service.
The charging speed is slow.	It takes about 3.5 hours to fully charge the robot when its battery is low. If you operate the robot at temperatures outside of the specified range, the charging speed will automatically slow down to extend the battery life. The charging contacts on both the robot and the base may be dirty, please wipe them with a dry cloth.
The noise increases while the robot is operating.	Check whether the dust box filter is clogged. If so, clean it or replace it. A hard object may be caught in the main brush or the dust box. Check and remove any hard object. The main brush or the side brush may become tangled. Check and remove any foreign objects. Switch the suction mode to Standard or Quiet.
The robot moves without following the set route.	Objects such as power cords and slippers should be organized before using the robot. Working on wet slippery surfaces causes the main wheel to slip. It is recommended to dry the wet places before using the robot. Wipe the line laser sensors and the AI visual sensor on the robot with a clean, soft cloth to keep them clean and unobstructed.
The robot misses the rooms to be cleaned.	Make sure that the doors of the rooms to be cleaned are open. Check whether there is a threshold higher than 2 cm at the door of the room. The robot cannot climb over high thresholds or steps. The place in front of the room to be cleaned may be wet and slippery, causing the robot to slip and work abnormally. Please try drying the floor before using the robot.

Troubleshooting

Problem	Solution
The robot will not resume cleaning after charging.	Make sure that the robot is not set to the Do Not Disturb (DND) mode, which will prevent it from resuming cleaning. The robot will not resume cleaning after you manually return the robot to the base station to charge, which includes manually placing the robot on the base station or sending the robot to charge via the app or the robot itself.
The station cannot automatically empty the dust box.	Check whether the dust bag in the dust tank is full. If the dust bag is not full, check whether there is any obstruction at the auto-empty vents of the robot, the base station, or the dust box. If any, clean the blocked part in time.
The water level in the washboard is abnormal.	Remove the washboard and check whether the sewage drain is blocked and clean it. Gently press down on the used water tank to make sure it is installed correctly. Check whether the seal on the used water tank is loose or not correctly installed, and manually reset it if so. If the problem persists, please contact the after-sales service team. Check the cleaning solution. Do not add any liquid other than the officially-approved cleaning solution.

For more support, contact us via <https://global.dreametech.com>

Specifications

Robot

Model	RLL82CE-2
Charging Time	Approx. 3.5 hours
Rated Voltage	14.4 V $\overline{\text{---}}$
Rated Power	75 W
Operation Frequency	2400-2483.5 MHz
Maximum Output Power	<20 dBm

Under normal use of condition, this equipment should be kept a separation distance of at least 20cm between the antenna and the body of the user.

Base Station

Model	RCLE0301-2
Rated Input	220-240 V \sim 50-60 Hz
Rated Output	20 V $\overline{\text{---}}$ 2 A
Rated Power (during dust emptying)	1000 W
Rated Power (during cleaning)	40 W
Rated Power (during charging and drying)	89 W

Note: Rated Power (during charging and drying) is determined by the power value during full load period.

Battery Disposal and Removal

The built-in lithium-ion battery contains substances that are hazardous to the environment. Before disposing of the battery, make sure the battery is removed by qualified technicians and discarded at an appropriate recycling facility.

- the battery must be removed from the appliance before it is scrapped;
- the appliance must be disconnected from the supply mains when removing the battery;
- the battery is to be disposed of safely.

CAUTION:

Before removing the battery, disconnect the power and run out the battery as much as possible.

Unneeded batteries should be discarded at an appropriate recycling facility.

Do not expose to high temperature environment to avoid risks of explosion.

Under abusive conditions, liquid may be ejected from the battery. If contact occurs, flush with water and seek medical help.

Removal Guide:

1. Turn over the robot, use a proper tool to remove the screws on the back of the robot, and then remove the cover.
2. Unplug the terminals between the battery and PCB board to remove the battery.

WEEE Information



All products bearing this symbol are waste electrical and electronic equipment (WEEE as in directive 2012/19/EU) which should not be mixed with unsorted household waste. Instead, you should protect human health and the environment by handing over your waste equipment to a designated collection point for the recycling of waste electrical and electronic equipment, appointed by the government or local authorities. Correct disposal and recycling will help prevent potential negative consequences to the environment and human health. Please contact the installer or local authorities for more information about the location as well as terms and conditions of such collection points.

Sicherheitshinweise

Um Stromschlag, Feuer oder Verletzungen durch unsachgemäßen Gebrauch des Geräts zu vermeiden, lesen Sie bitte die Bedienungsanleitung vor der Verwendung des Geräts sorgfältig durch und bewahren Sie sie zum späteren Nachschlagen auf.

Benutzungseinschränkungen

- Um einen sicherer Betrieb dieses Produkts zu gewährleisten und um jegliche Risiken zu vermeiden, darf es nicht von Kindern unter 8 Jahren oder von Personen mit körperlichen, sensorischen oder intellektuellen Defiziten bzw. eingeschränkter Erfahrung oder Kenntnissen ohne die Aufsicht der Eltern oder eines Erziehungsberechtigten benutzt werden. Reinigung und Wartung dürfen nicht von Kindern ohne Aufsicht durchgeführt werden.
- Das Gerät darf nur mit dem mitgelieferten Netzteil verwendet werden.
- Dieses Gerät enthält Akkus, die nur von Fachpersonal ausgetauscht werden können.
- Räumen Sie den zu reinigenden Bereich ab. Kinder dürfen nicht mit dem Gerät spielen. Achten Sie auf einen sicheren Abstand zwischen Kindern und Haustieren und dem Roboter, während dieser in Betrieb ist.
- Das Gerät darf nicht in Badezimmern oder in der Nähe von Schwimmbecken installiert, aufgeladen oder verwendet werden.
- Dieses Produkt ist nur für die Bodenreinigung in Wohnräumen geeignet. Verwenden Sie es nicht im Freien, auf anderen Oberflächen als Bodenbeläge oder in einer gewerblichen oder industriellen Umgebung.
- Stellen Sie sicher, dass das Gerät in einer geeigneten Umgebung ordnungsgemäß funktioniert. Andernfalls dürfen Sie das Gerät nicht verwenden.
- Bei Beschädigung des Netzkabels muss es durch ein spezielles Kabel oder eine spezielle Einheit ersetzt werden, die Sie beim Hersteller oder seinem Kundendienst erhalten können.

Sicherheitshinweise

Benutzungseinschränkungen

- Benutzen Sie den Roboter nicht in einem Bereich, der über dem Boden freisteht, ohne dass eine Schutzbarriere vorhanden ist.
- Stellen Sie den Roboter nicht auf den Kopf. Nutzen Sie die LDS-Abdeckung, die Roboterabdeckung oder den Stoßfänger nicht als Griff für den Roboter.
- Betreiben Sie den Roboter nicht bei einer Umgebungstemperatur über 40 °C oder unter 0 °C oder auf einem Boden, wo es Flüssigkeiten oder klebrige Substanzen gibt.
- Entfernen Sie vor dem Betrieb des Geräts alle freistehenden Gegenstände vom Boden, sowie alle auf dem Reinigungspfad herumliegenden Kabel oder Netzkabel, um Schäden bzw. Verletzungen durch Nachziehen zu vermeiden.
- Entfernen Sie zerbrechliche oder kleine Gegenstände vom Boden, um eine Kollision des Roboters mit diesen Gegenständen und deren Beschädigung zu vermeiden.
- Halten Sie Haare, Finger und andere Körperteile von der Saugöffnung des Roboters fern.
- Bewahren Sie das Reinigungswerkzeug außerhalb der Reichweite von Kindern auf.
- Betreiben Sie das Gerät nicht in einem Zimmer mit schlafenden Säuglingen oder Kindern.
- Verhindern Sie, dass sich Kinder, Haustiere oder andere Gegenstände auf den Roboter befinden, unabhängig davon, ob er steht oder sich bewegt.
- Bewahren Sie die Reinigungsflüssigkeit außerhalb der Reichweite von Kindern auf.
- Verwenden Sie nur das offiziell zugelassene Reinigungsmittel. Fügen Sie keine Flüssigkeiten wie z.B. Alkohol oder Desinfektionsmittel hinzu.
- Verwenden Sie den Roboter nicht zum Reinigen im Falle von brennenden Gegenständen. Verwenden Sie den Roboter nicht, um entflammbare oder brennbare Flüssigkeiten, ätzende Gase oder unverdünnte Säuren oder Lösungsmittel aufzusaugen.

Sicherheitshinweise

Benutzungseinschränkungen

- Keine harten oder scharfen Gegenstände aufsaugen. Verwenden Sie das Gerät nicht zum Aufsaugen von Gegenständen wie Steinen, großen Papierstücken oder anderen Gegenständen, die zur Verstopfung des Geräts führen können.
- Vor der Reinigung oder Wartung des Geräts muss der Stecker aus der Steckdose gezogen werden.
- Wischen Sie den Roboter oder die Basisstation nicht mit einem feuchten Tuch ab und spülen Sie diese nicht mit Flüssigkeiten aus. Lassen Sie die abwaschbaren Teile nach der Reinigung vollständig trocknen, bevor Sie sie wieder einbauen und benutzen.
- Verwenden Sie dieses Gerät gemäß den Anweisungen im Benutzerhandbuch. Der Benutzer ist für alle auf Grund einer unsachgemäßen Verwendung dieses Produkts entstandenen Verluste oder Schäden verantwortlich.

Akkus und Aufladen

- Verwenden Sie keine Akkus oder eine Basisstation von externen Anbietern. Der Roboter kann nur mit der Basisstation Modell RCLE0301-2 verwendet werden.
- Versuchen Sie nicht, den Akku oder die Basisstation selbst zu zerlegen, zu reparieren oder zu verändern.
- Stellen Sie die Basisstation nicht in der Nähe einer Wärmequelle auf.
- Reinigen Sie die Ladekontakte der Basisstation niemals mit einem feuchten Tuch oder nassen Händen.
- Entsorgen Sie alte Akkus nicht unsachgemäß. Nicht mehr benötigte Akkus sind in einer geeigneten Recyclingeinrichtung zu entsorgen.
- Im Falle einer Beschädigung oder eines Defekts des Netzkabels stellen Sie die Verwendung sofort ein und wenden Sie sich an den Kundendienst.

Sicherheitshinweise

Akkus und Aufladen

- Achten Sie darauf, dass der Roboter beim Transport ausgeschaltet ist und möglichst in seiner Originalverpackung aufbewahrt wird.
- Bei längerer Nichtbenutzung des Roboters sollte er vollständig aufgeladen, danach ausgeschaltet und an einem kühlen, trockenen Ort aufbewahrt werden. Laden Sie den Roboter mindestens einmal alle 3 Monate auf, um eine Tiefentladung des Akkus zu vermeiden.

Laser-Sicherheitsinformationen

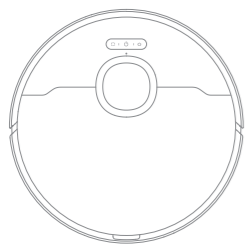
- Der Lasersensor in diesem Produkt entspricht der Norm IEC 60825-1:2014/EN 60825-1:2014/A11:2021 für Laserprodukte der Klasse 1. Bei der Verwendung ist direkter Augenkontakt zu vermeiden.

LASERPRODUKT DER KLASSE 1
 LASERPRODUKT FÜR VERBRAUCHER
 EN 50689:2021

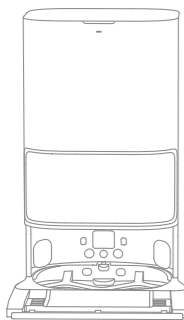
Hiermit erklärt Dreame Trading(Tianjin)Co., Ltd. dass das Funkgerät des Typs RLL82CE-2 den Anforderungen der Richtlinie 2014/53/EU entspricht. Der vollständige Text der EU-Konformitätserklärung kann unter folgender Internetadresse eingesehen werden: <https://global.dreametech.com>

Ein ausführliches elektronisches Handbuch finden Sie unter <https://global.dreametech.com/pages/user-manuals-and-faqs>.

Packungsinhalt



Roboter

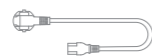


Basisstation

Anderes Zubehör



Seitenbürste



Netzkabel

Rampe der Basisstation
der Basisstation

Benutzerhandbuch

Wischpad
(vorinstalliert)

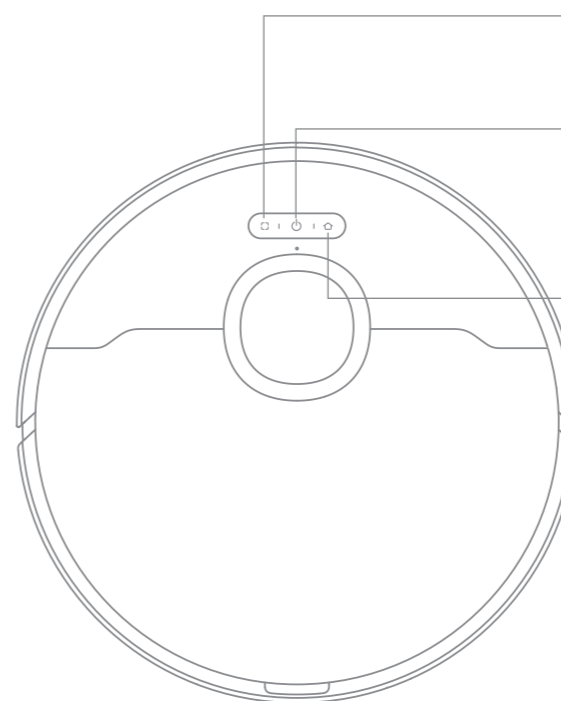
Wischpadhalter

Staubsaugerbeutel
(1 vorinstalliert)Reinigung
Lösung

Reinigungswerkzeug

Produktübersicht

Roboter



Taste für die Punktreinigung

- Drücken Sie diese Taste, um die Punktreinigung zu starten

Einschalt-/Reinigungstaste

- Halten Sie die Taste 3 Sekunden lang gedrückt, um das Gerät ein- oder auszuschalten
- Drücken Sie diese Taste, um die Reinigung nach dem Einschalten des Roboters zu starten

Schaltfläche zum Andocken

- Drücken Sie diese Taste für die Rückkehr des Roboters zur Basisstation
- Halten Sie die Taste 3 Sekunden lang gedrückt, um die Kindersicherung zu deaktivieren

Status-Anzeige

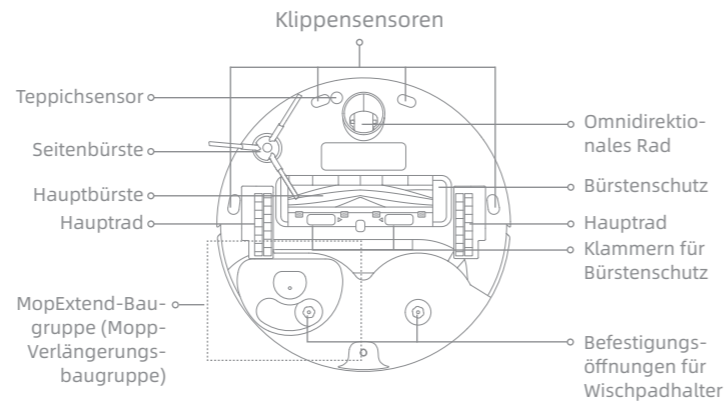
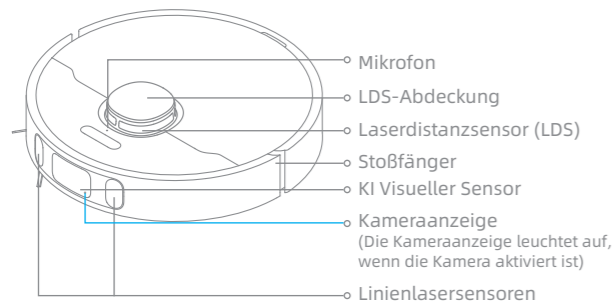
- Leuchtet weiß: Reinigung oder Säuberung abgeschlossen
- Blinkt Orange: Fehler
- Leuchtet orange: Stand-by bei niedrigem Akkustand oder angehalten bei niedrigem Akkustand

Hinweis:

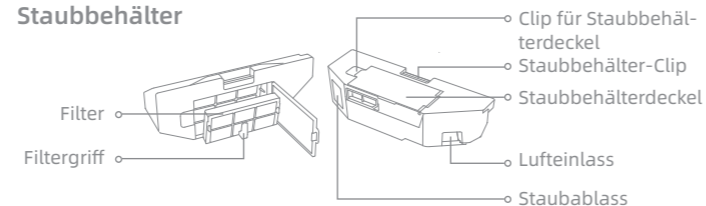
- Durch Drücken einer beliebigen Taste am Roboter können Sie den Reinigungsvorgang unterbrechen oder die Ladung des Roboters fortsetzen.
- Die Kindersicherung kann über die Dreamehome App ein- und ausgeschaltet werden.

Produktübersicht

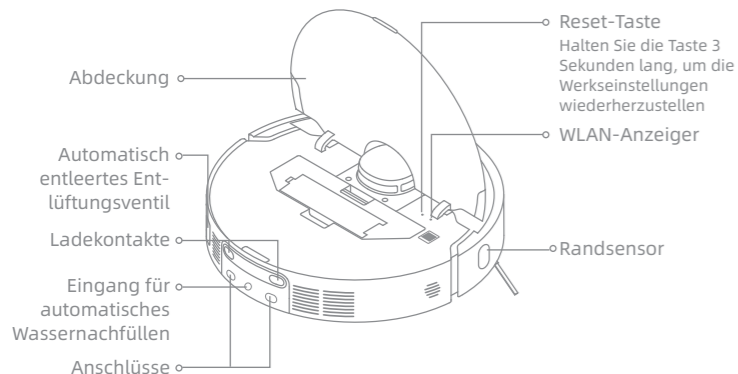
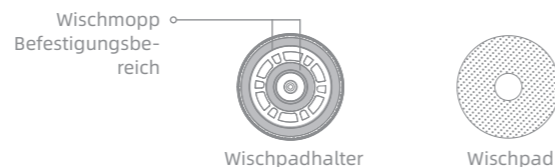
Roboter und Sensoren



Staubbehälter

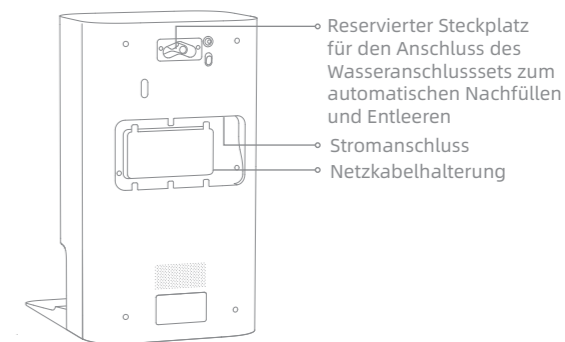
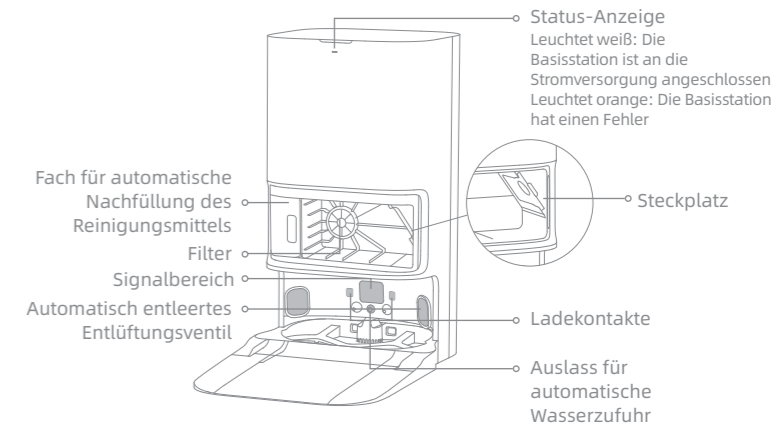
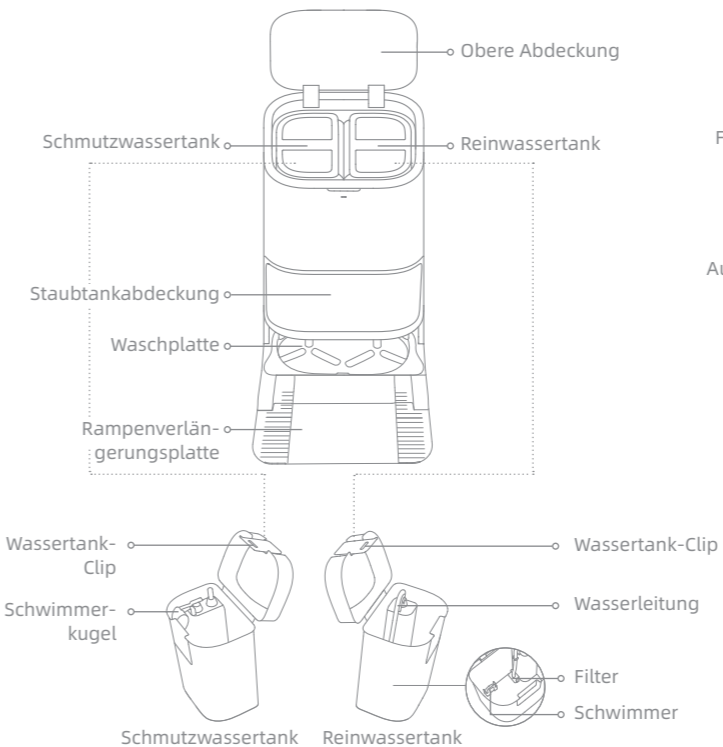


Wischmoppverbundteil



Produktübersicht

Basisstation

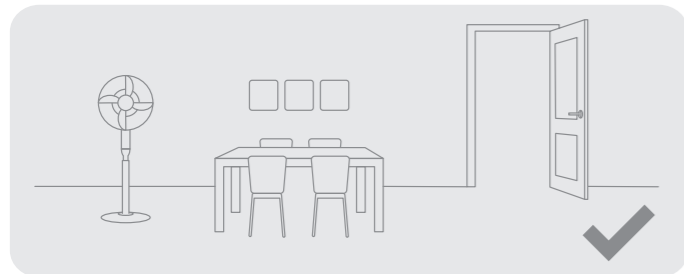


Hinweis: Das Wasseranschlusset für das automatische Nachfüllen und Entleeren muss separat erworben werden. (Nur in bestimmten Regionen verfügbar)

Ihr Zuhause vorbereiten



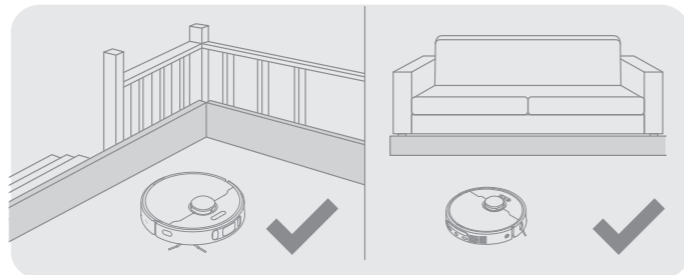
Entfernen Sie vor der Reinigung instabile, zerbrechliche, wertvolle oder gefährliche Gegenstände und räumen Sie Kabel, Tücher, Spielzeug, harte und scharfe Gegenstände vom Fußboden auf, um ein Verfangen, Zerkratzen oder Umfallen durch den Roboter und damit verbundene Verluste zu vermeiden.



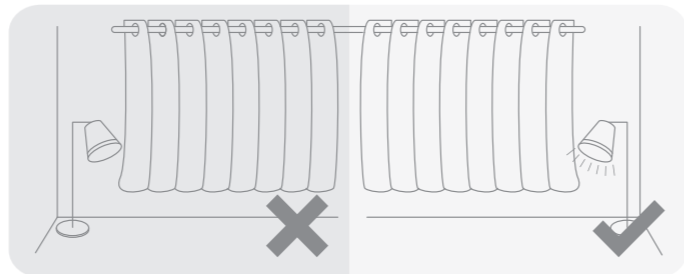
Öffnen Sie die Tür des zu reinigenden Raumes und stellen Sie die Möbel in die geeignete Position, um mehr Platz zu schaffen.

Hinweis:

- Folgen Sie dem Roboter bei der ersten Inbetriebnahme während des Reinigungsvorgangs, um mögliche Hindernisse rechtzeitig zu entfernen.
- Um zu verhindern, dass der Roboter die zu reinigenden Bereiche nicht erkennt, sollten Sie sich nicht vor dem Roboter, vor Schwellen, Fluren oder engen Stellen aufhalten.
- Saugen Sie keine harten Gegenstände wie Steine, Stahlkugeln und Spielzeugteile oder scharfe Gegenstände wie Bauschutt, Glasscherben und Nägel auf, da dadurch der Boden verkratzt werden kann.



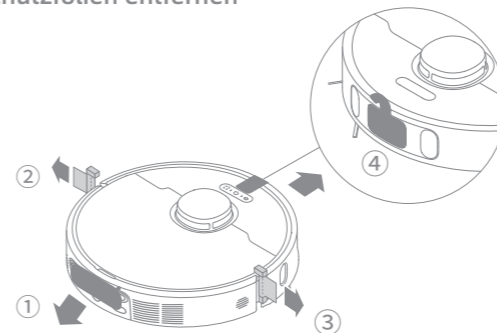
Montieren Sie vor der Reinigung die physische Barriere an den Kanten von Treppen und Möbeln, um dem Roboter ein reibungsloses Arbeiten zu ermöglichen.



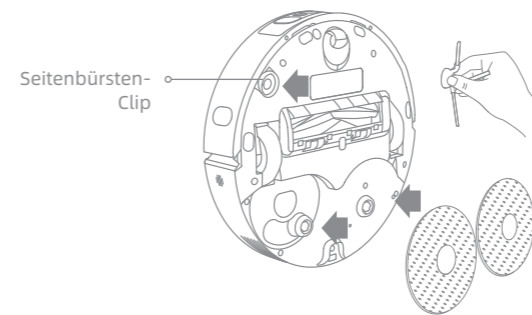
Mit dem visuellen KI-Sensor kann der Roboter Hindernisse wie Stromkabel, Schuhe und Socken besser erkennen und vermeiden. Zur optimalen Nutzung des visuellen KI-Sensors sollten Sie für gute Beleuchtung der zu reinigenden Bereiche sorgen.

Vor der Verwendung

1. Schutzfolien entfernen



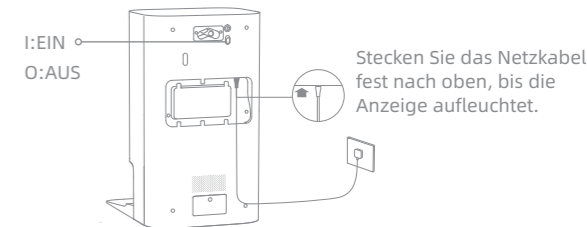
2. Installation der Randbürste und der Mopp-Baugruppe



Hinweis: Installieren Sie die Seitenbürste, bis sie einrastet.

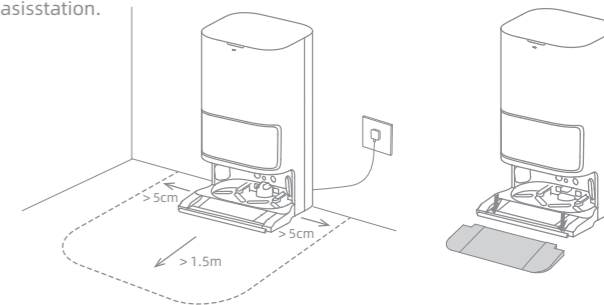
3. An eine Steckdose anschließen

Stellen Sie die Basisstation an einem möglichst freistehenden Ort mit gutem WLAN-Signal auf. Dann schließen Sie das Netzkabel an die Basisstation und stecken Sie es in die Steckdose.



4. Platzieren Sie die Ladestation und installieren Sie die Rampeverlängerungsplatte der Basisstation


Stellen Sie die Basisstation auf und entfernen Sie alle Gegenstände, die sich näher als 1,5 m von der Vorderseite und 5 cm von jeder Seite der Basisstation befinden. Montieren Sie dann die Rampeverlängerungsplatte unten an der Basisstation.

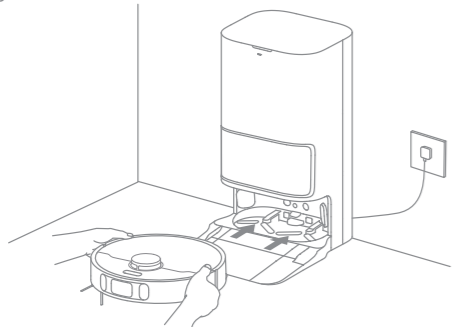


Hinweis: Um zu verhindern, dass Wasserflecken Holzböden oder Teppiche nassen, empfiehlt es sich, die Basisstation auf Fliesen- oder Marmorfußböden zu stellen.

Vor der Verwendung

5. Platzieren Sie den Roboter

Zum Einschalten des Roboters die -Taste am Roboter drücken und 3 Sekunden lang gedrückt halten. Setzen Sie den Roboter so auf die Basisstation, dass die Mopp-Baugruppe zur Waschplatte zeigt. Anschließend hören Sie eine Sprachmeldung, wenn sich der Roboter erfolgreich mit der Basisstation verbunden hat. Nach dem vollständigen Aufladen des Roboters leuchten die Status-Anzeigen am Roboter und an der Basisstation 10 Minuten lang und erlöschen anschließend.



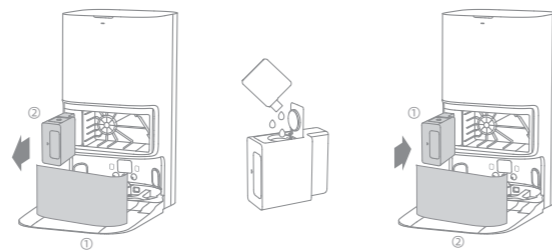
Hinweis: Es wird empfohlen, den Roboter vor der ersten Inbetriebnahme vollständig aufzuladen. Wenn sich der Roboter aufgrund eines leeren Akkus nicht einschalten lässt, verbinden Sie ihn zum Aufladen manuell mit der Basisstation.

6. Hinzufügen der Reinigungslösung

(1) Entfernen Sie die Abdeckung des Staubbehälters und ziehen Sie das Fach für automatische Nachfüllung des Reinigungsmittels heraus.

(2) Öffnen Sie den oberen Deckel des Fachs und geben Sie die Reinigungslösung ein.

(3) Schließen Sie den Deckel des Fachs, setzen Sie es wieder in die Basisstation ein, und bringen Sie dann die Abdeckung des Staubbehälters wieder an. Die Reinigungslösung wird während des Betriebs automatisch in den Frischwassertank eingefüllt.

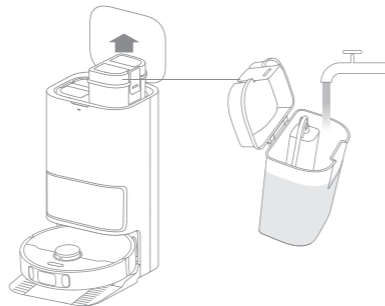


Hinweis:

- Fügen Sie keine anderen Flüssigkeiten als die offiziell zugelassene Reinigungsflüssigkeit hinzu, um Fehlfunktionen zu vermeiden.
- Installieren Sie das Fach für automatische Nachfüllung des Reinigungsmittels, bis es einrastet.

7. Wasser in den Frischwassertank einfüllen

Nehmen Sie den Frischwassertank aus der Basisstation und füllen Sie sauberes Wasser in den Tank. Setzen Sie ihn dann wieder in die Basisstation ein.

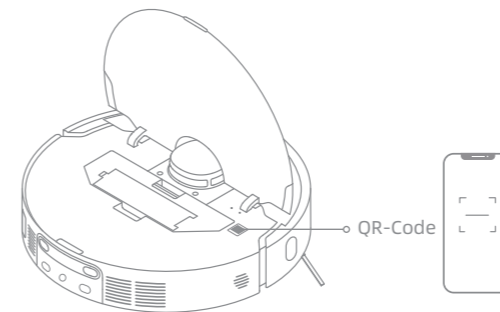


Hinweis: Füllen Sie kein heißes Wasser ein, da sonst der Frischwassertank verformt werden kann.

Verbinden mit der Dreamehome App

1. Laden Sie die Dreamehome App herunter

Scannen Sie den QR-Code auf dem Roboter, oder suchen Sie im App-Store nach „Dreamehome“, um die App herunterzuladen und zu installieren.



Hinweis:

- Es wird nur 2,4 GHz WLAN unterstützt.
- Aufgrund von Aktualisierungen der App-Software kann der tatsächliche Betrieb von den Anweisungen in dieser Anleitung abweichen. Bitte folgen Sie den auf der aktuellen App-Version basierenden Anweisungen.

2. Gerät hinzufügen

Öffnen Sie die Dreamehome App, tippen Sie auf „+“ in der oberen rechten Ecke und scannen Sie den gleichen QR-Code auf dem Roboter erneut, um das Gerät hinzuzufügen. Bitte folgen Sie den Anweisungen, um die WLAN-Verbindung herzustellen.



- WLAN-Anzeiger
- Blinkt langsam: Verbindung wird hergestellt
- Blinkt schnell: Verbindung hergestellt
- Leuchtet: Verbunden

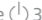

Hinweis: Zum Zurücksetzen der WLAN-Verbindung wiederholen Sie Schritt 2 und folgen Sie den Anweisungen, um die WLAN-Verbindung zu erstellen.

Gebrauchsanleitung

Schnelle Kartenerstellung

Nach erfolgter Erstkonfiguration des Netzwerks folgen Sie den Anweisungen in der App für die schnelle Erstellung einer Karte und der Roboter beginnt mit der Kartierung ohne Reinigung. Der Kartierungsvorgang wird abgeschlossen, nachdem der Roboter zur Station zurückgekehrt ist und die Karte wird automatisch gespeichert.

Einschalten/Ausschalten

Zum Einschalten des Roboters drücken und halten Sie die Taste  3 Sekunden lang gedrückt. Die Betriebsanzeige sollte leuchten. Stellen Sie den Roboter auf die Basis. Der Roboter sollte sich automatisch einschalten und mit dem Aufladen beginnen. Um den Roboter auszuschalten, entfernen Sie den Roboter von der Basis und halten Sie die Taste  3 Sekunden lang gedrückt.

Pause/Ruhemodus

Wenn der Roboter läuft, drücken Sie eine beliebige Taste, um ihn anzuhalten. Wird der Roboter länger als 10 Minuten angehalten, geht er automatisch in den Ruhemodus über. Die Betriebsanzeige und die Ladeanzeige schalten sich aus. Drücken Sie eine beliebige Taste auf dem Roboter, oder nutzen Sie die App, um den Roboter wieder in Betrieb zu nehmen.

Hinweis:

- Wenn das Gerät länger als 12 Stunden im Ruhemodus ist, schaltet es sich automatisch aus.
- Wird der Roboter ausgeschaltet und auf die Basisstation gestellt, endet die aktuelle Reinigungsaufgabe.

Reinigung automatisch fortsetzen

Wenn der Akku zu schwach ist, kehrt der Roboter automatisch zur Basisstation zum Aufladen zurück. Wenn der Akku ausreichend aufgeladen ist, setzt er die noch nicht abgeschlossenen Reinigungsaufgaben fort.

Hinweis: Zur Nutzung dieser Funktion müssen Sie diese in der App öffnen.


Nicht-Stören-Modus (DND)

Ist der Roboter auf den Nicht-Stören-Modus (DND) eingestellt, kann er die Reinigung nicht fortsetzen und die Betriebsanzeige erlischt. Der Nicht-Stören-Modus (DND) ist ab Werk standardmäßig deaktiviert. Sie können den Nicht-Stören-Modus (DND) über die App aktivieren oder den DND-Zeitraum ändern. Der Nicht-Stören-Zeitraum (DND) ist standardmäßig auf 22:00-8:00 Uhr eingestellt.



Hinweis:

- Die geplanten Reinigungsaufgaben werden während der Nicht-Stören-Zeit (DND) pünktlich ausgeführt.
- Der Roboter wird die Reinigung fortsetzen, wo er nach Ablauf des DND-Zeitraums aufgehört hat.

Punktreinigung

Drücken Sie im Standby-Modus des Roboters kurz die Taste , um den Punktreinigungsmodus zu aktivieren. In diesem Modus reinigt der Roboter einen quadratischen Bereich von 1,5 x 1,5 Meter um ihn herum und kehrt zu seinem Ausgangspunkt zurück, sobald die Reinigung bestimmter Bereiche abgeschlossen ist.

Roboter neu starten


Wenn der Roboter nicht mehr reagiert oder sich nicht ausschalten lässt, halten Sie die Taste  10 Sekunden lang gedrückt, um ihn zwangsweise auszuschalten. Zum Einschalten des Roboters drücken und halten Sie dann die Taste  3 Sekunden lang gedrückt.

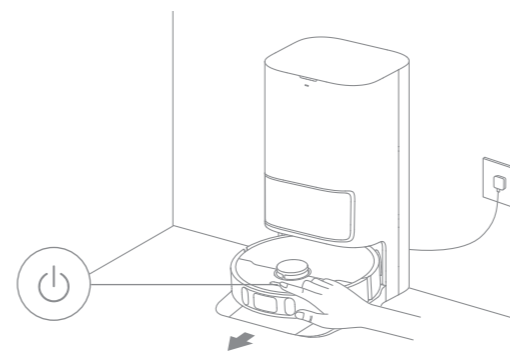
Gebrauchsanleitung

Staubsaugen und Wischen

Hinweis: Wenn Sie die Mopp-Baugruppe zum ersten Mal verwenden, führt der Roboter standardmäßig die Aufgabe „Staubsaugen und Wischen“ aus.

1. Reinigung starten

Drücken Sie die Taste  am Roboter, oder nutzen Sie die App, um den Roboter von der Basisstation aus starten zu lassen. Dann plant der Roboter die optimale Reinigungsrouten und führt die Reinigungsaufgabe auf der Grundlage der erstellten Karte aus.

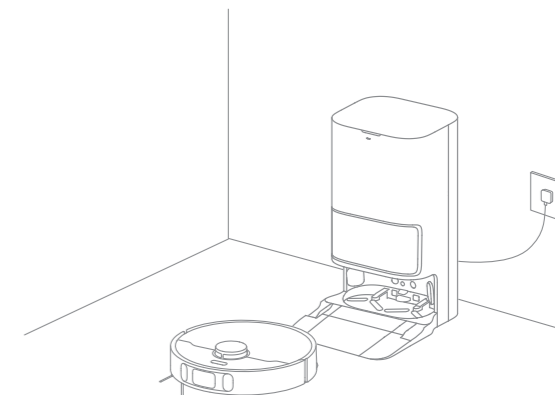


Hinweis:

- Der Wischmopp wird gereinigt, bevor der Roboter mit dem Wischen beginnt, bitte warten Sie mit Geduld.
- Vermeiden Sie es, die Basisstation, den Frischwassertank, den Brauchwassertank oder die Waschplatte während des Betriebs zu bewegen.

2. Automatisches Waschen des Wischmopps

Während der Reinigung kehrt der Roboter automatisch zur Basisstation zurück, um die Wischmopps zu waschen, je nach der in der App festgelegten Häufigkeit der Wischmoppreinigung. Die Basisstation füllt automatisch den Wasserbehälter des Roboters auf und der Roboter setzt die Reinigung fort.

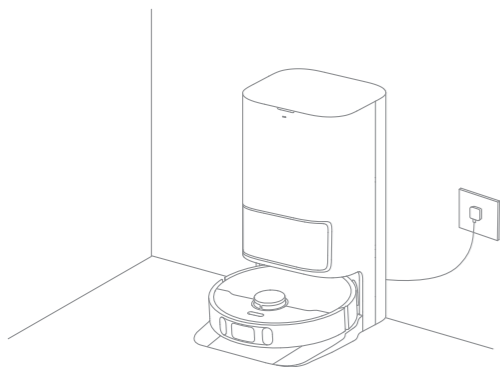


Hinweis: Wenn der Roboter während der Reinigung zur Basisstation zum Waschen der Wischmopps zurückkehrt, leert die Basisstation nicht automatisch den Staubbehälter.

Gebrauchsanleitung

3. Automatisches Entleeren des Staubbehälters und Waschen und Trocknen der Wischmopps nach Beendigung der Aufgabe „Staubsaugen und Wischen“.

Nachdem der Roboter eine Reinigungsaufgabe erledigt hat und zum Aufladen zur Basisstation zurückkehrt, beginnt die Basisstation automatisch mit dem Entleeren des Staubbehälters. Anschließend wäscht und trocknet sie die Mopps.



Hinweis:

- Wenn die automatische Entleerungsfunktion in der App ausgeschaltet ist, leert die Basisstation den Staubbehälter nicht automatisch.
- Die Basisstation leert den Staubbehälter gemäß der in der App eingestellten Häufigkeit.

4. Reinigen Sie den Schmutzwassertank

Nachdem der Roboter seine Aufgabe erfüllt hat, reinigen Sie bitte den Schmutzwassertank, um Geruchsbildung zu vermeiden.

Saugen, dann wischen

Wählen Sie in der App die Option „Saugen, dann wischen“, und der Roboter hebt automatisch den Mopp an, um den Boden zu saugen. Nach Beendigung des Staubsaugvorgangs kehrt der Roboter zurück, um den Staubbehälter zu entleeren, und beginnt dann nach dem automatischen Absenken der Mopp-Baugruppe.

Nur Staubsaugen

Wählen Sie in der App die Option „Nur Staubsaugen“, und der Roboter hebt automatisch den Mopp an und beginnt mit dem Staubsaugen.

Nur Wischen

Wählen Sie in der App die Option „Nur Wischen“, und der Roboter prüft, ob die Mopp-Baugruppe installiert ist. Sollte dies nicht der Fall sein, setzen Sie die Mopp-Baugruppe manuell ein, woraufhin der Roboter automatisch mit dem Wischen beginnt.

Regelmäßige Wartung

Teile

Um den Roboter in einem einwandfreien Zustand zu halten, wird empfohlen, in der App oder in der folgenden Tabelle die Hinweise zur regelmäßigen Wartung des Zubehörs zu beachten.

Teil	Häufigkeit der Wartungsarbeiten	Häufigkeit des Austausches
Schmutzwassertank	Nach jedem Gebrauch	/
Reinwassertank	Einmal alle 2 Wochen	
Hauptbürste		Alle 6 bis 12 Monate
Staubbehälterfilter		Alle 3 bis 6 Monate
Seitenbürste	Einmal im Monat	/
Waschplatte		
Signalbereich der Basisstation		
Ladekontakte der Basisstation		
Selbstentleerende Lüftungsöffnung der Basisstation		
Omnidirektionales Rad		
Randsensor		
Laserdistanzsensor (LDS)		
Linienlasersensor		

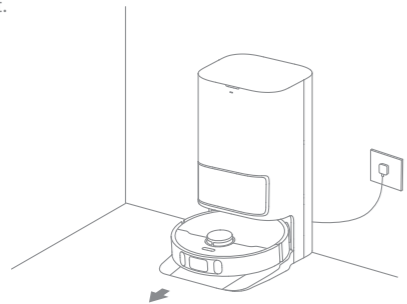
Teil	Häufigkeit der Wartungsarbeiten	Häufigkeit des Austausches
KI Visueller Sensor	Einmal im Monat	/
Teppichsensor		
Klippensensoren		
Ladekontakte des Roboters		
Stoßfänger		
Automatische Lüftungsöffnung des Roboters		
Öffnung für automatisches Wassernachfüllen des Roboters	Nach Bedarf reinigen	6 - 8 Wochen
Unterseite des Roboters		
Staubbehälter		
Staubsaugerbeutel	/	Alle 1 bis 3 Monate
Wischpad		

Hinweis: Die Austauschintervalle hängen von der Nutzung des Roboters ab. Sollte durch besondere Umstände eine Ausnahme auftreten, müssen die Teile ausgetauscht werden.

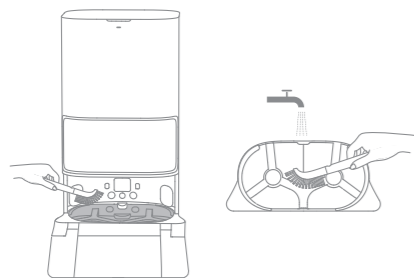
Regelmäßige Wartung

Reinigung der Basisstation

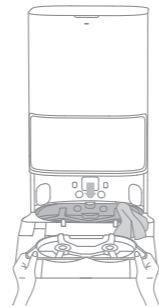
1. Wählen Sie in der App die Option „Reinigung der Basisstation“ aus, und der Roboter verlässt die Basisstation automatisch. Nehmen Sie die Waschplatte heraus und warten Sie, bis sich der Boden der Basisstation mit Wasser füllt.




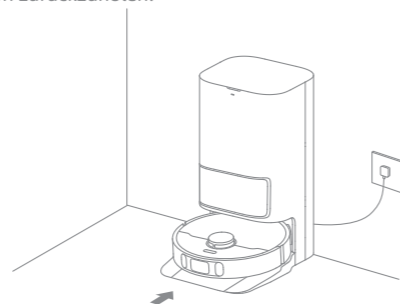
2. Spülen Sie die Waschplatte mit sauberem Wasser ab, und reinigen Sie die Unterseite der Basisstation mit dem Reinigungswerkzeug.



3. Nach kurzer Zeit pumpt die Basisstation das Schmutzwasser automatisch ab. Trocknen Sie die Basisstation dann mit einem weichen, trockenen Tuch ab und setzen Sie die Waschplatte wieder an ihren Platz.



4. Nutzen Sie die App oder drücken Sie kurz die Taste  am Roboter, um ihn zur Basisstation zurückzuholen.

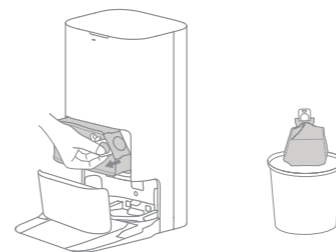


Hinweis: Lassen Sie den Roboter während der Reinigung nicht zur Basisstation zurückkehren.

Regelmäßige Wartung

Staubsaugerbeutel

1. Entsorgen Sie den Staubbeutel.

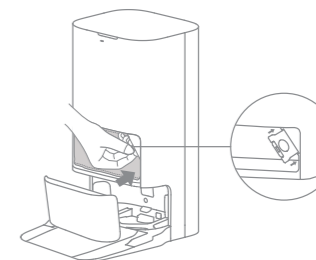


Hinweis: Wenn Sie den Griff nach oben ziehen, wird der Beutel verschlossen, damit Staub und Schmutz nicht versehentlich herausfallen können.

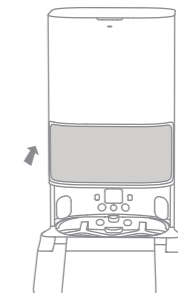
2. Entfernen Sie den Staub und die Verunreinigungen mit einem trockenen Tuch vom Filter.



3. Setzen Sie einen neuen Staubbeutel ein.



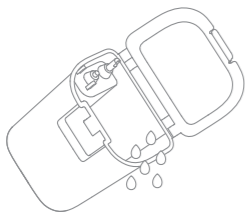
4. Schließen Sie die Abdeckung des Staubbehälters.



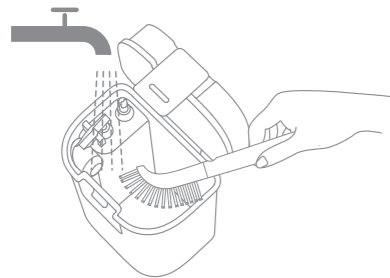
Regelmäßige Wartung

Schmutzwassertank

1. Entfernen Sie den Schmutzwassertank, öffnen Sie den Deckel und gießen Sie das Schmutzwasser aus.



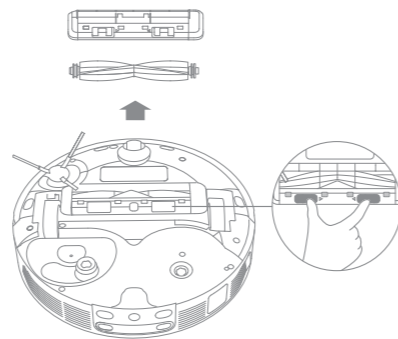
2. Spülen Sie den Schmutzwassertank mit sauberem Wasser aus, und reinigen Sie die Innenwand des Schmutzwassertanks mit dem mitgelieferten Reinigungswerkzeug.



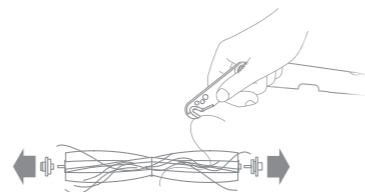
Hinweis: Die Schwimmerkugel im Schmutzwassertank ist ein bewegliches Teil. Üben Sie beim Reinigen nicht zu viel Kraft aus, um sie nicht zu beschädigen.

Hauptbürste

1. Drücken Sie den Bürstenschutzclip nach innen, um den Bürstenschutz zu entfernen und die Bürste aus dem Roboter zu heben.



2. Ziehen Sie die Bürstenabdeckungen an beiden Enden der Bürste heraus, wie in der Abbildung gezeigt. Entfernen Sie mit dem mitgelieferten Reinigungswerkzeug die in der Bürste verhedderten Haare.



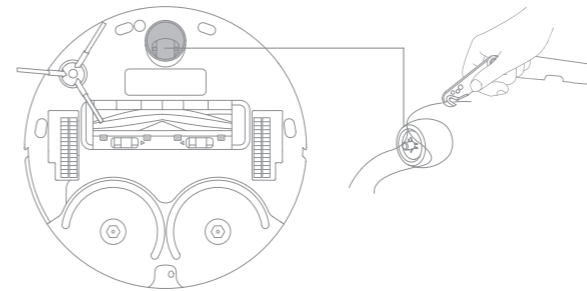
Regelmäßige Wartung

Seitenbürste

- Entfernen und reinigen Sie die Seitenbürste.



Omnidirektionales Rad

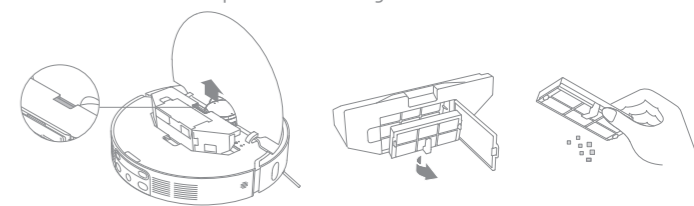


Hinweis:

- Trennen Sie die Achse und den Reifen des Rundumlaufwads mit einem Werkzeug, z. B. einem kleinen Schraubendreher. Üben Sie dabei keine übermäßige Kraft aus.
- Spülen Sie das Rundumlaufwrad unter fließendem Wasser ab und setzen Sie es nach dem vollständigen Trocknen wieder ein.

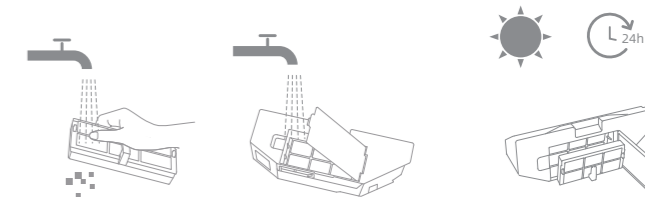
Staubbehälter und Filter

1. Öffnen Sie die Abdeckung des Roboters und drücken Sie den Staubbehälter-Clip, um den Staubbehälter zu entfernen. Nehmen Sie dann den Filter heraus und klopfen Sie vorsichtig auf seinen Filterkorb.



Hinweis: Versuchen Sie nicht, den Filter mit einer Bürste, einem Finger oder scharfen Gegenständen zu reinigen, um Schäden zu vermeiden.

2. Spülen Sie den Staubbehälter und den Filter mit Wasser ab und trocknen Sie sie vor dem Einbau vollständig ab.



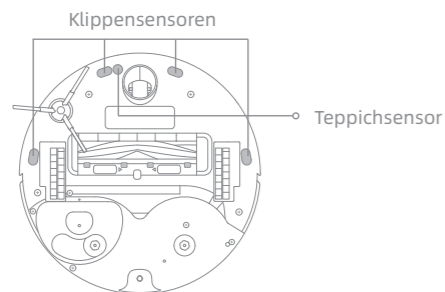
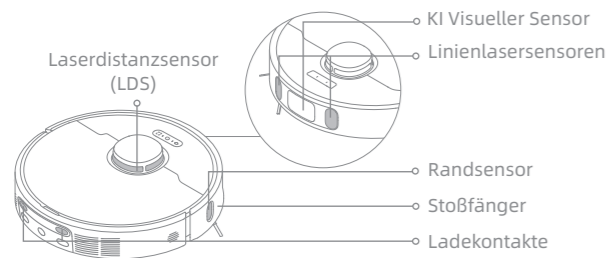
Hinweis:

- Spülen Sie den Staubbehälter und den Filter nur mit sauberem Wasser ab. Keine Reinigungsmittel verwenden.
- Verwenden Sie den Staubbehälter und den Filter nur, wenn sie vollständig trocken sind.

Regelmäßige Wartung

Sensoren und Ladkontakte des Roboters

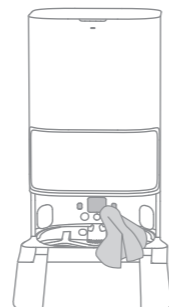
Wischen Sie die Sensoren und Ladkontakte des Roboters mit einem weichen und trockenen Tuch ab, wie in der folgenden Abbildung dargestellt:



Hinweis: Ein feuchtes Tuch kann empfindliche Elemente im Inneren des Roboters und der Basisstation beschädigen. Bitte nutzen Sie ein trockenes Tuch zur Reinigung.

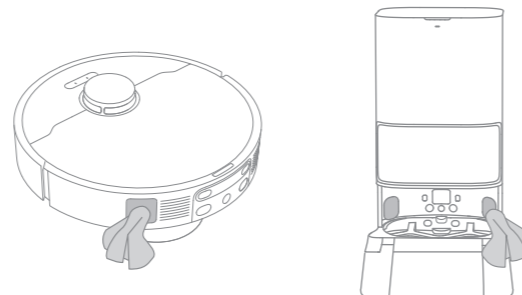
Ladkontakte

Reinigen Sie die Ladkontakte und den Signalisierungsbereich der Basisstation mit einem weichen, trockenen Tuch.



Automatisch entleertes Entlüftungsventil

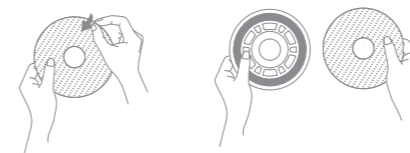
Reinigen Sie die automatische Lüftungsöffnung des Roboters und der Basisstation mit einem weichen, trockenen Tuch.



Regelmäßige Wartung

Wischpad

Entfernen Sie das Wischpad aus dem Wischpadhalter, um es auszutauschen.





Akku

Der Roboter enthält einen leistungsstarken Lithium-Ionen-Akkupack. Achten Sie bei täglichem Gebrauch auf eine ausreichende Ladung des Akkus, um eine optimale Akkuleistung zu erhalten.

Fehlersuche und -behebung

Problem	Lösung
Der Roboter lässt sich nicht einschalten.	Der Akku ist schwach. Laden Sie den Roboter an der Ladestation auf und versuchen Sie es dann erneut. Die Temperatur des Akkus ist zu niedrig oder zu hoch. Die empfohlene Betriebstemperatur des Geräts liegt zwischen 0 °C (32 °F) und 40 °C (104 °F).
Roboter lädt sich nicht auf.	Die Basisstation ist nicht an die Stromversorgung angeschlossen. Bitte stellen Sie sicher, dass beide Enden des Netzkabels korrekt angeschlossen sind. Der Kontakt zwischen den Ladekontakten an der Basisstation und dem Roboter ist schlecht, bitte reinigen Sie die Ladekontakte. Überprüfen Sie, ob sich am Anschluss des Roboters ein Fremdobjekt befindet, und entfernen Sie gegebenenfalls das Fremdobjekt.
Der Roboter kann keine Verbindung zum WLAN herstellen.	Das Passwort für das Wi-Fi-Netzwerk ist falsch. Überprüfen Sie, ob das Passwort für die Verbindung mit Ihrem WLAN-Netzwerk korrekt ist. Der Roboter unterstützt keine 5 GHz WLAN-Verbindung. Stellen Sie sicher, dass der Roboter mit einer 2,4 GHz WLAN-Verbindung verbunden ist. Das WLAN-Signal ist schwach. Stellen Sie sicher, dass sich der Roboter in einem Gebiet mit guter WLAN-Abdeckung befindet. Der Roboter ist möglicherweise nicht für die Konfiguration bereit. Beenden Sie die App, starten Sie diese erneut, und versuchen Sie es dann noch einmal wie angewiesen.
Der Roboter findet nichts und kehrt zur Basisstation zurück.	Die Basisstation ist nicht an das Stromnetz angeschlossen oder wurde bewegt, während der Roboter nicht auf ihr steht. Es gibt zu viele Hindernisse um die Basisstation herum. Platzieren Sie die Basisstation in einen freistehenden Bereich. Wenn der Roboter bewegt wird, muss er sich möglicherweise neu positionieren, und er erstellt eine neue Karte, wenn die Neupositionierung fehlschlägt. Wenn der Roboter zu weit von der Basisstation entfernt ist, kann er möglicherweise nicht automatisch zurückkehren. In diesem Fall müssen Sie den Roboter manuell auf die Basisstation stellen. Wischen Sie den Signalisierungsbereich an der Basisstation ab, um Staub oder Schmutz zu entfernen.
Der Roboter bleibt vor der Basisstation stecken und kann nicht zu ihr zurückkehren.	Entfernen Sie alle Hindernisse innerhalb von 5 cm auf der linken und rechten Seite oder innerhalb von 1,5 m vor der Basisstation, um eine Blockierung des Roboters zu vermeiden. Der Weg für die Rückkehr zum Laden ist blockiert, z. B. die Tür ist geschlossen. Der Roboter kann wegrutschen, wenn der Boden vor der Basisstation übermäßig nass ist. Wenn dies der Fall ist, entfernen Sie zunächst das überschüssige Wasser, bevor Sie es erneut versuchen. Es wird empfohlen, die Basisstation an einen anderen Ort zu stellen und es erneut zu versuchen. Achten Sie darauf, dass die Rampenverlängerungsplatte richtig installiert ist.

Fehlersuche und -behebung

Problem	Lösung
Der Roboter lässt sich nicht ausschalten.	Der Roboter kann während des Ladevorgangs nicht ausgeschaltet werden. Zum Ausschalten des Roboters wird empfohlen, ihn von der Basisstation zu entfernen und die Taste  3 Sekunden lang gedrückt zu halten. Wenn sich der Roboter durch Ausführen von Schritt 1 nicht ausschalten lässt, halten Sie die Taste  10 Sekunden lang gedrückt, um ein Ausschalten des Roboters zu erzwingen. Wenn das Problem weiterhin besteht, wenden Sie sich bitte an den Kundendienst.
Die Aufladegeschwindigkeit ist langsam.	Es dauert etwa 3,5 Stunden, um den Roboter vollständig aufzuladen, wenn der Akku schwach ist. Wenn Sie den Roboter bei Temperaturen außerhalb des angegebenen Bereichs betreiben, wird die Ladegeschwindigkeit automatisch verlangsamt, um die Lebensdauer des Akkus zu verlängern. Die Ladekontakte sowohl am Roboter als auch an der Basisstation können verschmutzt sein, bitte wischen Sie sie mit einem trockenen Tuch ab.
Die Geräusche nehmen zu, während der Roboter in Betrieb ist.	Prüfen Sie, ob der Staubbehälterfilter verstopft ist. Wenn ja, reinigen Sie ihn oder ersetzen Sie ihn. Ein harter Gegenstand könnte in der Hauptbürste oder im Staubbehälter eingeklemmt sein. Prüfen und entfernen Sie alle harten Gegenstände. Die Hauptbürste oder die Seitenbürste kann sich verheddern. Prüfen und entfernen Sie alle Fremdkörper. Schalten Sie den Saugmodus auf Standard oder Leise.
Der Roboter bewegt sich, ohne der festgelegten Route zu folgen.	Gegenstände wie Stromkabel und Hausschuhe sollten vor dem Einsatz des Roboters aufgeräumt werden. Beim Einsatz auf nassen, rutschigen Oberflächen rutscht das Hauptrad durch. Es wird empfohlen, die nassen Stellen vor dem Einsatz des Roboters zu trocknen. Wischen Sie die Linienlasersensoren und den visuellen KI-Sensor des Roboters mit einem sauberen, weichen Tuch ab, um sie sauber und funktionsfähig zu halten.
Der Roboter kann die zu reinigenden Räume nicht erreichen.	Stellen Sie sicher, dass die Türen der zu reinigenden Räume offen sind. Prüfen Sie, ob die Türschwelle des Zimmers höher als 2 cm ist. Der Roboter kann nicht über hohe Schwellen oder Stufen fahren. Der Boden vor dem zu reinigenden Zimmer kann nass und rutschig sein, so dass der Roboter wegrutscht und nicht ordnungsgemäß funktioniert. Trocknen Sie den Boden, bevor Sie den Roboter benutzen.

Problem	Lösung
Der Roboter nimmt die Reinigung nach dem Laden nicht wieder auf.	Vergewissern Sie sich, dass der Roboter nicht auf den Nicht-Stören-Modus (DND-Modus) eingestellt ist, da er dann die Reinigung nicht fortsetzen kann. Der Roboter setzt die Reinigung nicht mehr fort, nachdem Sie ihn manuell zum Aufladen auf die Basisstation gestellt haben. Dazu gehört das manuelle Aufstellen des Roboters auf der Basisstation oder das Senden des Roboters zum Aufladen über die App oder über den Roboter selbst.
Die Station kann den Staubbehälter nicht automatisch leeren.	Prüfen Sie, ob der Staubbeutel im Staubbehälter voll ist. Wenn der Staubbeutel nicht voll ist, prüfen Sie, ob die automatischen Entleerungsöffnungen des Roboters, der Basisstation oder des Staubbehälters verstopft sind. Falls ja, beseitigen Sie die Verstopfung rechtzeitig.
Der Wasserstand der Waschplatte ist nicht normal.	Nehmen Sie die Waschplatte heraus und prüfen Sie, ob der Abwasserabfluss verstopft ist, und reinigen Sie ihn. Drücken Sie vorsichtig auf Schmutzwassertank, um sicherzustellen, dass er richtig installiert ist. Überprüfen Sie, ob die Dichtung am Schmutzwassertank lose oder nicht richtig installiert ist, und setzen Sie sie gegebenenfalls manuell zurück. Wenn das Problem weiterhin besteht, wenden Sie sich bitte an den Kundendienst. Überprüfen Sie die Reinigungsflüssigkeit. Fügen Sie keine anderen Flüssigkeiten als die offiziell zugelassene Reinigungsflüssigkeit hinzu.

Bei weiteren Fragen wenden Sie sich bitte an <https://global.dreametech.com>

Spezifikationen

Roboter

Modell	RLL82CE-2
Ladedauer	Ca. 3,5 Stunden
Nennspannung	14,4 V $\overline{=}$
Nennleistung	75 W
Betriebsfrequenz	2400 - 2483,5 MHz
Maximale Ausgangsleistung	< 20 dBm

Unter normalen Einsatzbedingungen muss dieses Gerät in einem Abstand von mindestens 20 cm zwischen der Antenne und dem Körper des Benutzers gehalten werden.

Basisstation

Modell	RCLE0301-2
Nenningang	220 - 240 V \sim 50 - 60 Hz
Nenausgang	20 V $\overline{=}$ 2 A
Nennleistung (bei der Staubentleerung)	1000 W
Nennleistung (während der Reinigung)	40 W
Nennleistung (beim Lade- und Trocknungsvorgang)	89 W

Hinweis: Die Nennleistung (beim Lade- und Trocknungsvorgang) wird durch den Leistungswert während der Vollastperiode bestimmt.

Entsorgung und Entnahme des Akkus

Der eingebaute Lithium-Ionen-Akku enthält umweltgefährdende Stoffe. Lassen Sie den Akku vor der Entsorgung von qualifiziertem Fachpersonal entfernen und in einer entsprechenden Recycling-Einrichtung entsorgt wird.

- Der Akku muss vor der Entsorgung aus dem Gerät entfernt werden;
- Das Gerät muss beim Entfernen des Akkus vom Stromnetz getrennt werden;
- Der Akku muss sicher entsorgt werden.

VORSICHT:

Vor dem Entfernen des Akkus ist das Gerät vom Stromnetz zu trennen und der Akku so tief wie möglich zu entladen.

Nicht mehr benötigte Akkus sind in einer geeigneten Recyclingeinrichtung zu entsorgen.

Setzen Sie den Akku nicht hohen Temperaturen aus, um Explosionsgefahr zu vermeiden.

Unter unsachgemäßen Bedingungen kann Flüssigkeit aus dem Akku austreten. Bei Kontakt mit der Flüssigkeit spülen Sie die betroffene Stelle mit Wasser und suchen Sie einen Arzt auf.

Anleitung zum Herausnehmen:

1. Drehen Sie den Roboter um, entfernen Sie mit einem geeigneten Werkzeug die Schrauben auf der Rückseite des Roboters und nehmen Sie dann die Abdeckung ab.
2. Lösen Sie die Klemmen zwischen dem Akku und der Leiterplatte, um den Akku zu entfernen.

WEEE-Informationen



Für alle mit diesem Symbol gekennzeichneten Produkte gelten die Regelungen der Richtlinie 2012/19/EU über Elektro- und Elektronik-Altgeräte (WEEE), die nicht in den unsortierten Hausmüll gelangen dürfen. Zum Schutz der menschlichen Gesundheit und der Umwelt sollten Sie daher Ihre Altgeräte bei einer von der Regierung oder den lokalen Behörden eingerichteten Sammelstelle für das Recycling von Elektro- und Elektronik-Altgeräten abgeben. Eine ordnungsgemäße Entsorgung und Wiederverwertung trägt dazu bei, mögliche negative Folgen für die Umwelt und die menschliche Gesundheit zu vermeiden. Bitte wenden Sie sich an den Installateur oder die lokalen Behörden, um weitere Informationen über den Standort sowie die Bedingungen und Voraussetzungen für solche Sammelstellen zu erhalten.

Entsorgung von Elektro- und Elektronikaltgeräten



Die durchgestrichene Mülltonne bedeutet, dass Sie gesetzlich verpflichtet sind, diese Geräte einer vom unsortierten Siedlungsabfall getrennten Sammelstelle zuzuführen. Die Entsorgung über die Restmülltonne oder die gelbe Tonne ist untersagt. Enthalten die Produkte Batterien oder Akkus, die nicht fest verbaut sind, müssen diese vor der Entsorgung entnommen und getrennt als Batterien entsorgt werden.

Möglichkeiten der Rückgabe von Altgeräten

Besitzer von Altgeräten können diese im Rahmen der durch öffentlich-rechtlichen Entsorgungsträger eingerichteten und zur Verfügung stehenden Möglichkeiten der Rückgabe oder Sammlung von Altgeräten abgeben, damit eine ordnungsgemäße Entsorgung der Altgeräte sichergestellt ist. Unter dem folgenden Link können Sie ein Onlineverzeichnis der Sammel- und Rücknahmestellen ansehen: <https://www.ear-system.de/ear-verzeichnis/sammel-und-ruecknahmestellen>

Datenschutz

Wir weisen alle Endnutzer von Elektro- und Elektronikaltgeräten darauf hin, dass Sie für das Löschen personenbezogener Daten auf den zu entsorgenden Altgeräten selbst verantwortlich sind.

Informations sur la sécurité

Pour éviter tout risque d'électrocution, d'incendie ou de blessures lié à une utilisation non conforme de l'appareil, veuillez attentivement lire le mode d'emploi avant d'utiliser l'appareil et le conserver pour toute référence ultérieure.

Batteries et charge

- Ce produit ne doit pas être utilisé par des enfants âgés de moins de 8 ans et des personnes ayant un handicap physique, sensoriel ou intellectuel, ou une connaissance ou une expérience limitée sans la surveillance d'un parent ou d'un tuteur pour assurer un fonctionnement en toute sécurité et éviter les risques. Les opérations de nettoyage et d'entretien ne doivent pas être effectuées par les enfants sans supervision.
- L'appareil ne doit être utilisé qu'avec le bloc d'alimentation fourni avec l'appareil.
- Cet appareil contient des batteries qui ne peuvent être remplacées que par des personnes qualifiées.
- Dégagez la surface à nettoyer. Les enfants ne doivent pas jouer avec l'appareil. Assurez-vous que les enfants et animaux de compagnie se tiennent à distance du robot en fonctionnement.
- Évitez d'installer, de charger ou d'utiliser l'appareil dans les salles de bains ou autour des piscines.
- Ce produit est conçu pour nettoyer le sol dans un environnement domestique uniquement. Ne l'utilisez pas à l'extérieur, sur des surfaces brutes, ou dans un milieu industriel ou commercial.
- Assurez-vous que l'appareil fonctionne correctement dans un environnement approprié. Sinon, n'utilisez pas l'appareil.
- Si le cordon d'alimentation est endommagé, il doit être remplacé par un produit ou un cordon spécial disponible auprès du fabricant ou de son réparateur agréé.

Informations sur la sécurité

Restrictions d'utilisation

- N'utilisez pas le robot dans un espace suspendu au-dessus du sol sans barrière de protection.
- Ne renversez pas le robot. N'utilisez pas le couvercle LDS, le couvercle du robot ou le pare-chocs comme poignée pour tenir le robot.
- N'utilisez pas le robot à une température ambiante supérieure à 40 °C ou inférieure à 0 °C ou sur un sol recouvert de liquides ou de substances collantes.
- Pour éviter tout risque de dommage ou blessure lié à des objets traînés, retirez tous les articles jonchant le sol, ainsi que les câbles ou cordons d'alimentation sur l'itinéraire de nettoyage avant de faire fonctionner l'appareil.
- Retirez les objets fragiles ou de petite taille présents sur le sol pour empêcher le robot de les heurter ou de les endommager.
- Éloignez les cheveux, les doigts et toute autre partie du corps de l'orifice d'aspiration du robot.
- Gardez l'outil de nettoyage hors de la portée des enfants.
- N'utilisez pas l'appareil dans une pièce où un nourrisson ou un enfant dort.
- Ne placez pas un enfant, un animal domestique ou tout objet sur le robot, qu'il soit en marche ou à l'arrêt.
- Gardez la solution de nettoyage hors de la portée des enfants.
- Utilisez uniquement le détergent approuvé. N'ajoutez pas de liquide tel que de l'alcool ou un désinfectant.
- N'utilisez pas le robot pour nettoyer des objets qui brûlent. N'utilisez pas le robot pour ramasser des liquides combustibles ou inflammables, des gaz corrosifs ou des acides ou des solvants non dilués.

Informations sur la sécurité

Restrictions d'utilisation

- N'aspirez pas d'objets durs ou tranchants. N'utilisez pas l'appareil pour ramasser des objets tels que des cailloux, des gros morceaux de papier ou tout objet susceptible d'obstruer l'appareil.
- La fiche doit être débranchée de la prise avant de nettoyer ou d'entretenir l'appareil.
- N'essuyez pas le robot ou la station de base avec un chiffon humide et ne les rincez pas avec un liquide. Après le nettoyage des pièces lavables, séchez-les complètement avant de les réinstaller et de les utiliser.
- Veuillez utiliser ce produit conformément aux instructions présentes dans le monde d'emploi. Les utilisateurs sont responsables de toute perte ou de tout dommage occasionné par une utilisation non conforme de ce produit.

Batteries et charge

- N'utilisez pas de batterie ou de station de base d'autres marques. Le robot ne peut être utilisé qu'avec la station de base RCLE0301-2.
- N'essayez pas de démonter, de réparer ou de modifier la batterie ou la station de base vous-même.
- Ne placez pas la station de base à proximité d'une source de chaleur.
- N'utilisez pas un chiffon ou et séchez vos mains pour essuyer ou nettoyer les contacts de charge de la station de base.
- N'éliminez pas les batteries usagées de manière inappropriée. Les batteries usagées doivent être déposées dans un centre de collecte approprié.
- Si le cordon d'alimentation est endommagé ou coupé, arrêtez de l'utiliser immédiatement et contactez le service après-vente.

Informations sur la sécurité

Batteries et charge

- Assurez-vous que le robot est éteint lorsque vous le transportez et conservez-le dans son emballage d'origine si possible.
- Si le robot n'est pas utilisé pendant une longue période, chargez-le complètement, puis éteignez-le et rangez-le dans un endroit sec et frais. Rechargez le robot au moins tous les 3 mois pour ne pas trop décharger la batterie.

Informations de sécurité sur le laser

- Le capteur laser de ce produit répond à la norme IEC 60825-1:2014/EN 60825-1:2014/A11:2021 des appareils à laser de classe 1. Veuillez éviter de regarder directement le laser pendant l'utilisation.

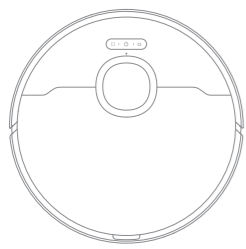
APPAREILS À LASER DE CLASSE 1
 APPAREILS À LASER DESTINÉS AU GRAND PUBLIC
 EN 50689:2021

Par le présent document, Dreame Trading(Tianjin) Co., Ltd. déclare que le modèle d'équipement radio RLL82CE-2 répond à la directive 2014/53/UE. L'intégralité du texte de la déclaration UE de conformité est disponible à l'adresse Internet suivante : <https://global.dreametech.com>

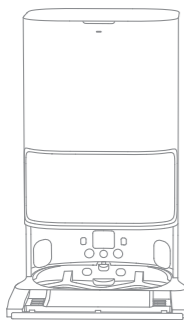
Pour consulter le mode d'emploi en ligne, veuillez accéder à <https://global.dreametech.com/pages/user-manuals-and-faqs>

Aperçu du produit

Contenu de l'emballage



Robot

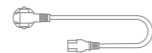


Station de base

Autres accessoires



Brosse latérale



Cordon d'alimentation



Rampe de la station de base
Plaqué d'extension



Mode d'emploi



Serpillère
(pré-installée)



Support de serpillère



Sac à poussière
(1 pré-installé)



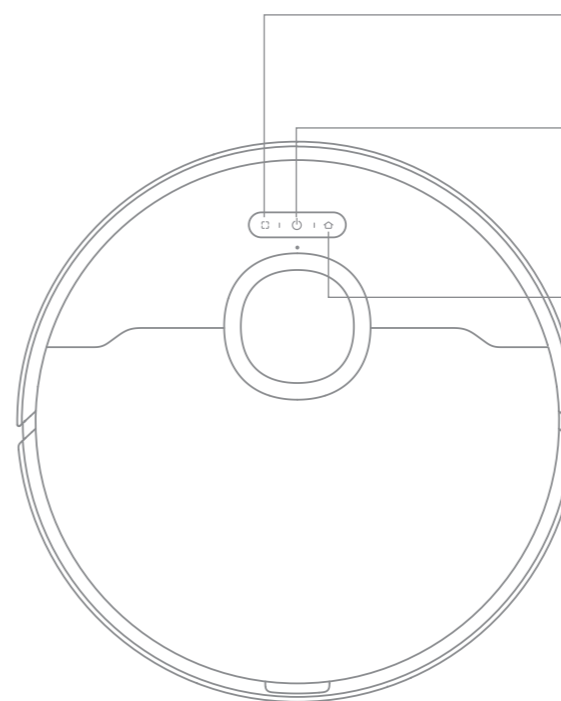
Solution de
nettoyage



Outil de nettoyage

Aperçu du produit

Robot



- Bouton de nettoyage localisé**
- Appuyez pour démarrer le nettoyage localisé

- Bouton Alimentation/Nettoyage**
- Appuyez et maintenez enfoncé pendant 3 secondes pour allumer ou éteindre
- Appuyez pour commencer le nettoyage une fois le robot activé

- Bouton de station de base**
- Appuyez pour renvoyer le robot à la station de base
- Appuyez et maintenez enfoncé pendant 3 secondes pour désactiver le Verrouillage enfants

Indicateur d'état

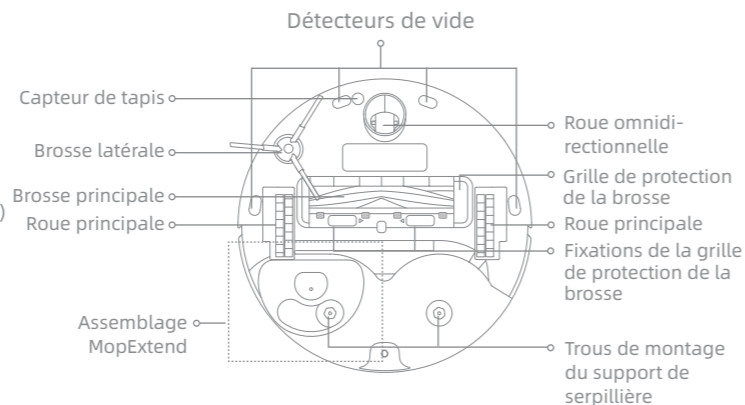
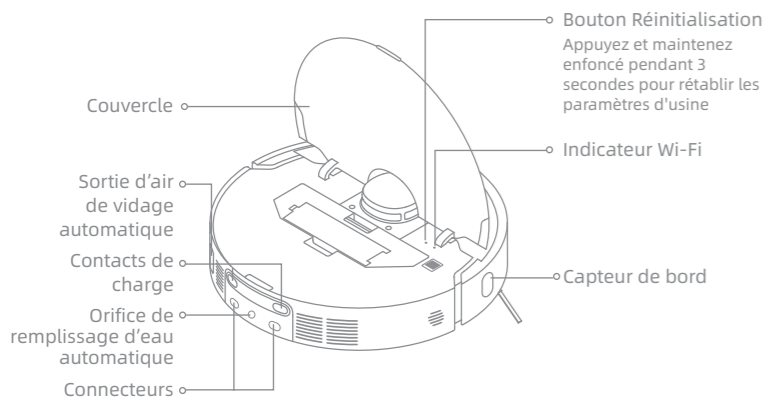
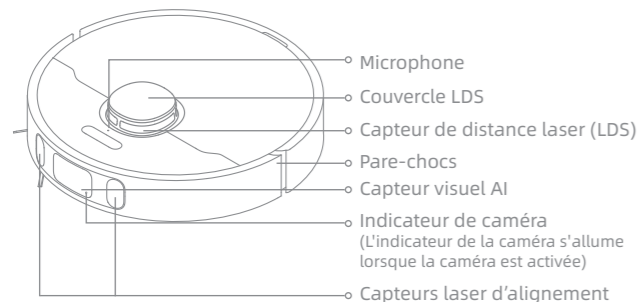
- Blanc fixe : Nettoyage ou dépoussiérage terminé
- Orange clignotant : Erreur
- Orange fixe : Veille en batterie faible ou en pause en batterie faible

Remarque :

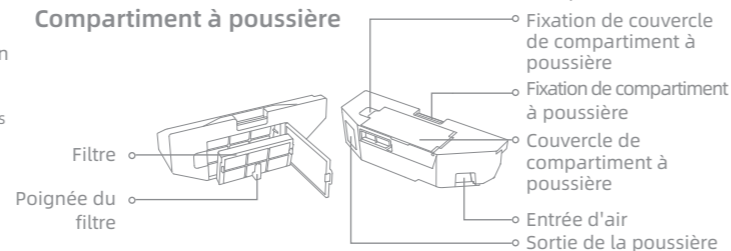
- Appuyez sur n'importe quel bouton du robot pour faire une pause pendant que le robot nettoie ou revient pour se charger.
- Le Verrouillage enfants peut être activé et désactivé avec l'application Dreamehome.

Aperçu du produit

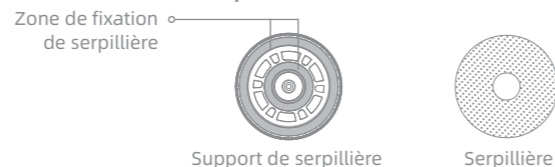
Robot et capteurs



Compartment à poussière

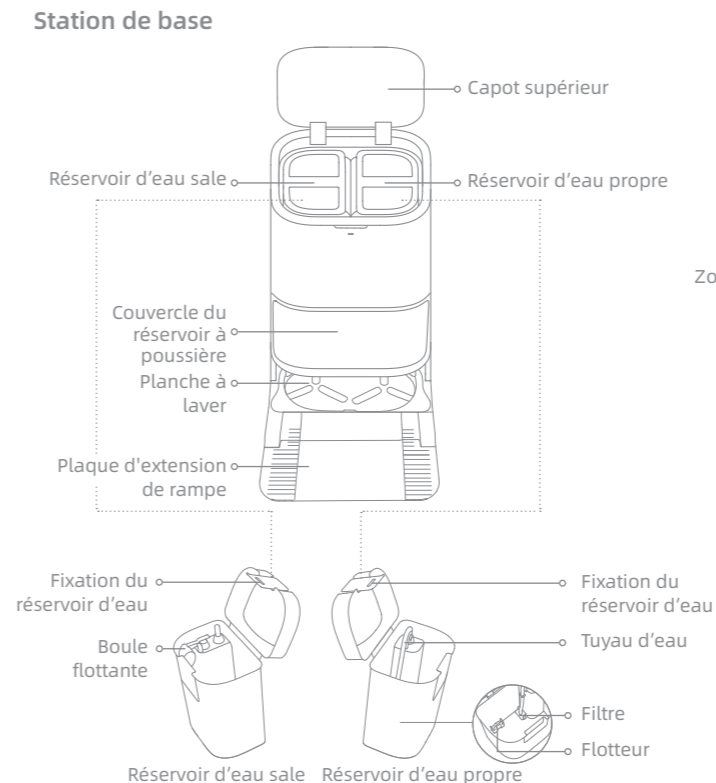


Ensemble de la serpillière

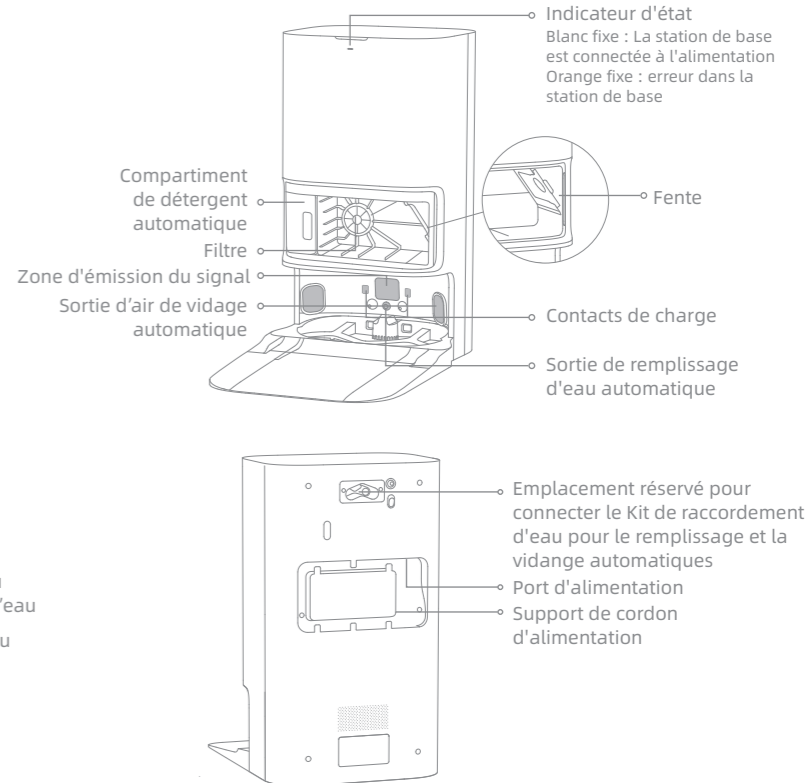


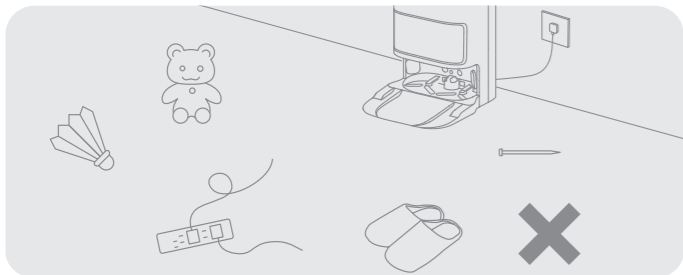
Aperçu du produit

Station de base

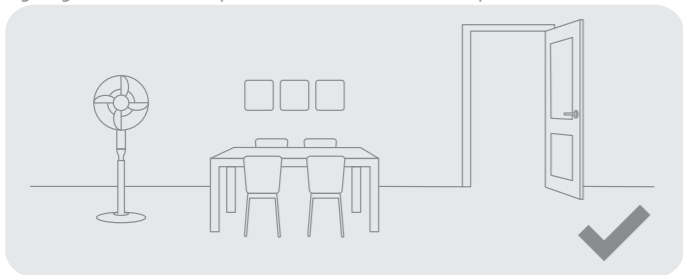


Remarque : Le kit de raccordement à l'eau pour le remplissage et la vidange automatiques doit être acheté séparément. (Disponible uniquement dans certaines régions)





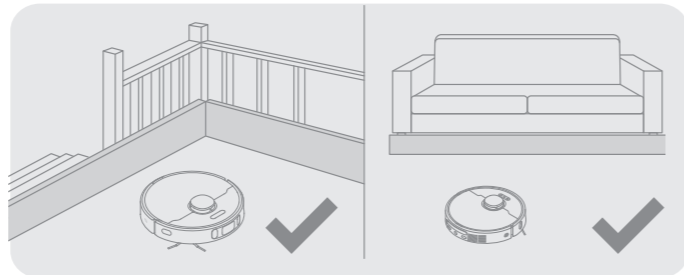
Avant de nettoyer, veuillez enlever les objets instables, fragiles, de valeur ou dangereux, et retirer les câbles, les vêtements, les jouets, les objets durs et les objets tranchants présents sur le sol pour éviter qu'ils ne soient coincés, égratignés et renversés par le robot et de causer des pertes.



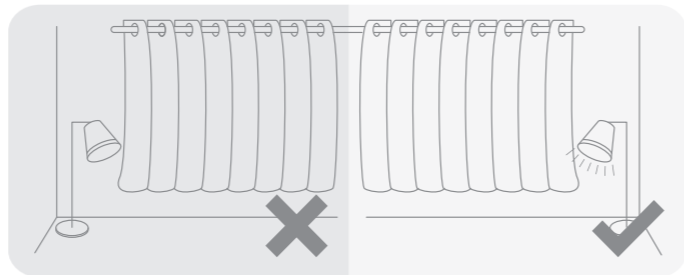
Ouvrez la porte de la pièce à nettoyer, et disposez correctement les meubles pour laisser plus de place.

Remarque :

- À la première utilisation du robot, suivez-le pendant qu'il nettoie afin de retirer tout obstacle éventuel à temps.
- Pour permettre au robot de bien identifier les zones qui doivent être nettoyées, ne restez pas devant le robot, un seuil, un couloir ou des endroits étroits.
- N'aspirez pas des objets durs tels que des cailloux, des boules en acier et des pièces de jouet, ou des objets tranchants tels que des déchets de construction, du verre brisé et des clous, sinon cela peut rayer le sol.



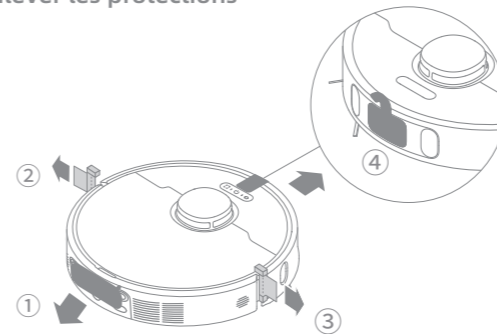
Avant de nettoyer, placez une barrière physique au bord des marches et du canapé pour permettre au robot de fonctionner facilement et en toute sécurité.



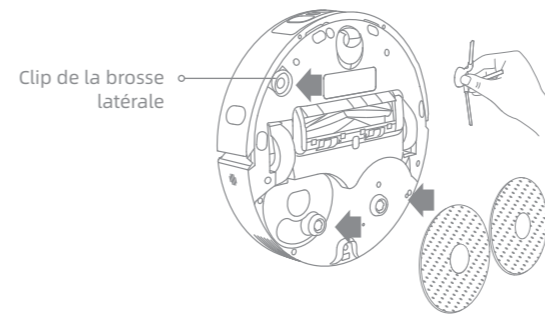
Le capteur visuel AI permet au robot de mieux identifier et éviter les obstacles tels que les cordons d'alimentation, les chaussures et les chaussettes. Profitez au mieux du capteur visuel AI en vous assurant que toutes les surfaces à nettoyer sont bien éclairées.

Avant l'utilisation

1. Enlever les protections



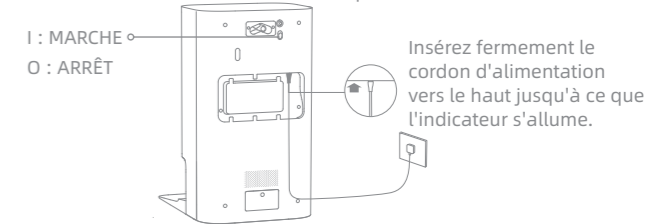
2. Installer la brosse latérale et l'ensemble de la serpillière



Remarque : Installez la brosse latérale en veillant à bien l'engager.

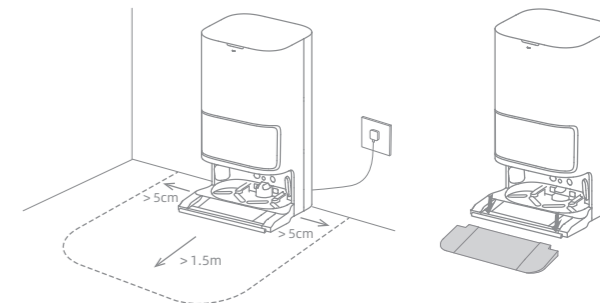
3. Brancher à une prise électrique

Placez la station de base dans un endroit le plus dégagé possible et disposant d'un signal Wi-Fi satisfaisant. Puis insérez le cordon d'alimentation dans la station de base et branchez-le sur la prise.



4. Placer la station de base et installer la plaque d'extension de la rampe de la station de base


Placez la station de base et retirez tous les objets situés à moins de 1,5 m devant et de 5 cm de chaque côté de la station de base. Ensuite fixez la plaque d'extension de rampe au bas de la station de base.

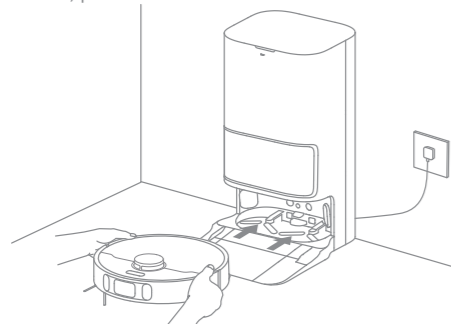


Remarque : Pour éviter que l'eau ne mouille les parquets ou les tapis, il est recommandé d'installer la station de base sur des sols en carrelage ou en marbre.

Avant l'utilisation

5. Placer le robot

Appuyez sur le bouton  sur le robot pendant 3 secondes pour l'activer. Placez le robot sur la station de base avec l'ensemble de la serpillière orienté vers la planche à laver. Une notification vocale est émise lorsque le robot est bien connecté à la station de base. Une fois le robot complètement chargé, les indicateurs d'état sur le robot et sur la station de base resteront allumés pendant 10 minutes, puis diminueront en luminosité.



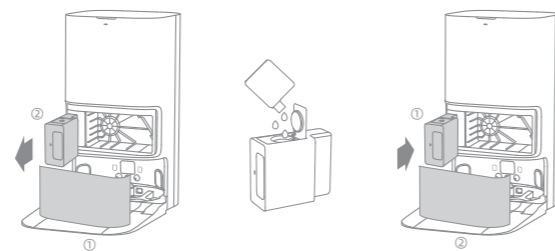
Remarque : Il est conseillé de charger complètement le robot avant la première utilisation. Quand le robot ne peut pas être activé lorsque la batterie est déchargée, connectez manuellement le robot à la station de pour le recharger.

6. Ajouter la solution de nettoyage

(1) Retirez le couvercle du réservoir à poussière et sortez le compartiment de détergent automatique.

(2) Ouvrez le couvercle supérieur du compartiment et ajoutez la solution de nettoyage.

(3) Fermez le couvercle du compartiment, remettez-le dans la station de base, puis remplacez le couvercle du réservoir à poussière. La solution de nettoyage sera automatiquement versée dans le réservoir d'eau propre pendant l'utilisation.

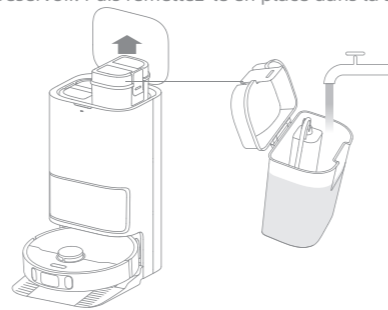


Remarque :

- N'ajoutez pas de liquide autre que la solution de nettoyage approuvée pour éviter toute défaillance.
- Installez le compartiment de détergent automatique en veillant à bien l'engager.

7. Verser l'eau dans le réservoir d'eau propre

Retirez le réservoir d'eau propre de la station de base et versez de l'eau propre dans le réservoir. Puis remettez-le en place dans la station de base.

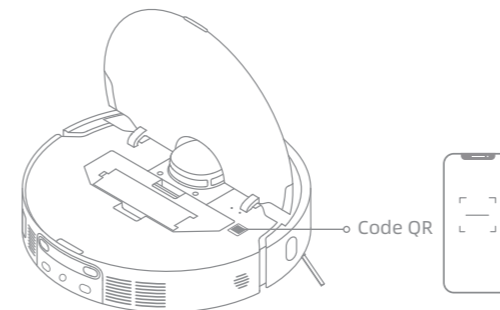


Remarque : Ne versez pas d'eau chaude dans le réservoir d'eau car cela peut le déformer.

Connexion à l'application Dreamehome

1. Télécharger l'application Dreamehome

Scannez le code QR sur le robot ou recherchez « Dreamehome » dans l'App Store pour télécharger et installer l'application.

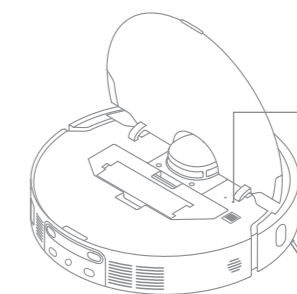


Remarque :

- Seul le réseau Wi-Fi 2,4 GHz est reconnu.
- Le logiciel d'application étant soumis à des mises à jour, les opérations réelles peuvent donc différer des instructions de ce manuel. Suivez les instructions en fonction de la version de l'application.

2. Ajouter un appareil

Ouvrez l'application Dreamehome, appuyez sur « + » en haut à droite, et scannez le même code QR sur le robot encore une fois pour ajouter l'appareil. Suivez les instructions pour terminer la connexion Wi-Fi.



- Indicateur Wi-Fi
- Clignote lentement : À connecter
- Clignote rapidement : Connexion
- Allumé : Connecté



Remarque : Si vous voulez réinitialiser le Wi-Fi, répétez l'étape 2 et suivez les instructions pour terminer la connexion Wi-Fi.

Comment utiliser le robot

Cartographie rapide

À la première configuration du réseau, suivez les instructions affichées sur l'application pour créer rapidement une carte, et le robot commencera à cartographier sans nettoyer. Le processus de cartographie sera terminé lorsque le robot retourne à la station, et la carte sera enregistrée automatiquement.

Allumer/Éteindre

Appuyez et maintenez le bouton  enfoncé pendant 3 secondes pour allumer le robot. L'indicateur d'alimentation doit s'allumer. Placez le robot sur la base, le robot doit s'activer automatiquement et commencer à se charger. Pour éteindre le robot, retirez-le de la base et maintenez le bouton  enfoncé pendant 3 secondes.

Pause/Veille

Lorsque le robot est en cours de fonctionnement, appuyez sur un bouton pour le mettre en pause.

Si le robot est mis en pause pendant plus de 10 minutes, il passe automatiquement en mode veille. L'indicateur d'alimentation et l'indicateur de charge s'éteindront. Appuyez sur n'importe quel bouton du robot, ou utilisez l'application pour réactiver le robot.

Remarque :

- Le robot s'éteindra automatiquement s'il est en mode veille pendant plus de 12 heures.
- Si le robot est en pause et placé sur la station de base, le processus de nettoyage en cours prendra fin.

Reprise automatique du nettoyage

Si la batterie est trop faible, le robot retournera automatiquement à la station de base pour se recharger. Après avoir chargé au niveau de batterie approprié, il reprendra les tâches de nettoyage inachevées.

Remarque : Pour utiliser cette fonction, veuillez l'ouvrir dans l'application.


Mode Ne pas déranger (DND)

Lorsque le robot est réglé sur le mode Ne pas déranger (DND), il lui sera impossible de reprendre le nettoyage, et l'indicateur d'alimentation s'éteint. Le mode DND est désactivé par défaut à l'usine. Vous pouvez utiliser l'application pour activer le mode DND ou modifier la période DND. La période DND s'étend de 22:00 à 8:00 par défaut.



Remarque :

- Les tâches de nettoyage planifiées seront effectuées à temps pendant la période DND.
- Le robot reprendra le nettoyage là où il s'est arrêté à la fin de la période DND.

Nettoyage localisé

Lorsque le robot est en veille, appuyez brièvement sur le bouton  pour activer le mode de nettoyage localisé. Dans ce mode, le robot nettoie une surface carrée de 1,5 x 1,5 mètres autour de lui, et retourne à son point de départ à la fin du nettoyage localisé.

Redémarrage du robot


Si le robot ne répond plus et ne peut pas s'éteindre, maintenez le bouton  enfoncé pendant 10 secondes pour l'arrêter de force. Puis maintenez le bouton  enfoncé pendant 3 secondes pour allumer le robot.

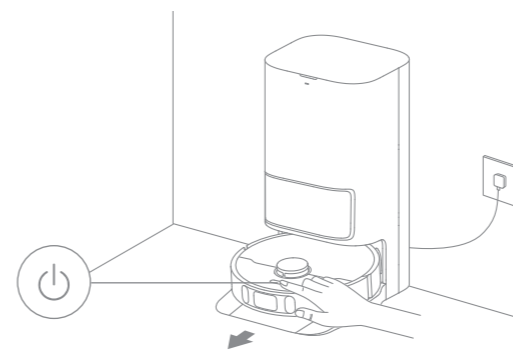
Comment utiliser le robot

Aspiration et nettoyage

Remarque : Lors de la première utilisation de l'ensemble de la serpillière, le robot effectue la tâche « Aspiration et nettoyage » par défaut.

1. Commencer le nettoyage

Appuyez sur le bouton  sur le robot, ou utilisez l'application pour que le robot démarre à partir de la station de base. Ensuite, le robot planifiera l'itinéraire de nettoyage optimal et effectuera la tâche de nettoyage en fonction de la carte créée.

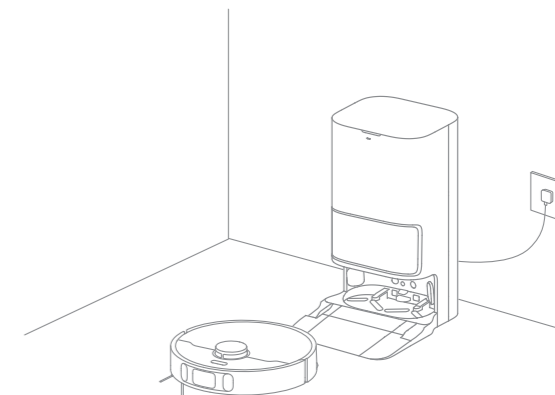


Remarque :

- Les serpillières seront nettoyées avant que le robot ne commence à cartographier, veuillez patienter.
- Ne déplacez pas la station de base, le réservoir d'eau propre, le réservoir d'eau sale ou la planche à laver pendant que le robot effectue sa tâche.

2. Lavage automatique de la serpillière

Lors du nettoyage, le robot retournera automatiquement à la station de base pour laver les lingettes en fonction de la fréquence de nettoyage spécifiée des lingettes dans l'application. La station de base remplira automatiquement le réservoir d'eau du robot et le robot reprendra le nettoyage.

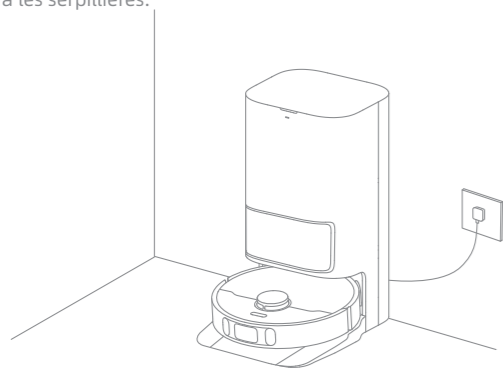


Remarque : Si le robot retourne à la station de base pour laver ses lingettes pendant le nettoyage, la station de base ne videra pas automatiquement le compartiment à poussière.

Comment utiliser le robot

3. Vider automatiquement le compartiment à poussière, et laver et sécher les serpillières après avoir terminé la tâche « Aspiration et nettoyage »

Une fois que le robot a terminé une tâche de nettoyage et retourne à la station de base pour se recharger, la station de base commencera automatiquement à vider le compartiment à poussière, puis nettoiera et séchera les serpillières.



Remarque :

- Si la fonction de vidage automatique est désactivée dans l'application, la station de base ne videra pas automatiquement le compartiment à poussière.
- La station de base videra le compartiment à poussière en fonction de la fréquence définie dans l'application.

4. Nettoyer le réservoir d'eau sale

Une fois que le robot a terminé sa tâche, veuillez nettoyer le réservoir d'eau sale pour éviter toute odeur.

Aspiration puis nettoyage

Sélectionnez « Aspiration puis nettoyage » dans l'application, et le robot lèvera automatiquement l'ensemble de la serpillière pour aspirer le sol. Après avoir aspiré, le robot retourne pour vider le compartiment à poussière, puis commence à passer la serpillière après avoir automatiquement baissé l'ensemble de la serpillière.

Aspiration uniquement

Sélectionnez « Aspiration uniquement » dans l'application et le robot lèvera automatiquement l'ensemble de la serpillière et commencera à aspirer.

Nettoyage uniquement

Sélectionnez « Nettoyage uniquement » dans l'application, et le robot vérifiera automatiquement si l'ensemble de la serpillière est installé. Dans le cas contraire, installez l'ensemble de la serpillière manuellement, puis le robot commencera automatiquement à passer la serpillière.

Entretien courant

Pièces

Pour maintenir le robot en bon état, il est recommandé de se référer à l'utilisation des accessoires dans l'application ou au tableau suivant pour l'entretien de routine.

Pièces	Fréquence d'entretien	Délai de remplacement
Réservoir d'eau sale	Après chaque utilisation	/
Réservoir d'eau propre	Une fois toutes les 2 semaines	Tous les 6 à 12 mois
Brosse principale		Tous les 3 à 6 mois
Filtre du compartiment à poussière	Une fois tous les mois	/
Brosse latérale		
Planche à laver		
Zone d'émission du signal de la station de base		
Contacts de charge de la station de base		
Événement de vidage automatique de la station de base		
Roue omnidirectionnelle		
Capteur de bord		
Capteur de distance laser (LDS)	/	/
Capteur laser d'alignement		

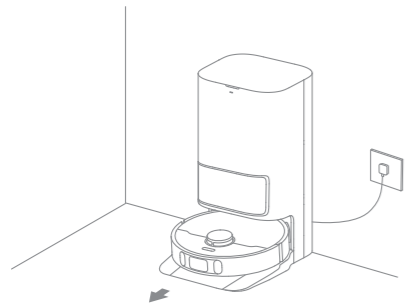
Pièces	Fréquence d'entretien	Délai de remplacement
Capteur visuel AI	Une fois tous les mois	/
Capteur de tapis		
Détecteurs de vide		
Contacts de charge du robot		
Pare-chocs		
Événement de vidage automatique du robot		
Orifice de remplissage d'eau automatique du robot		
Partie inférieure du robot		
Compartiment à poussière	Le nettoyer si nécessaire	/
Sac à poussière	/	6- 8 semaines
Serpillière		Tous les 1 à 3 mois

Remarque : La fréquence de remplacement dépendra de l'utilisation du robot. Si, en raison de circonstances particulières, un événement se produit, les pièces doivent être remplacées.

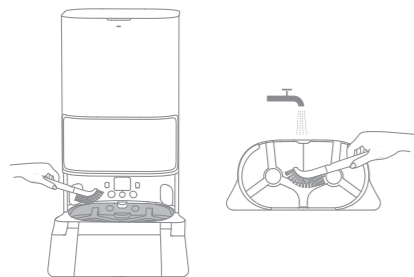
Entretien courant

Nettoyage de la station de base

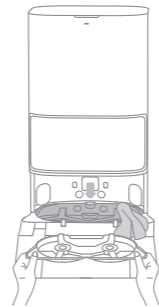
1. Sélectionnez « Nettoyage de la station de base » dans l'application, et le robot quittera automatiquement la station de base. Retirez la planche à laver et attendez que le fond de la station de base se remplisse d'eau.




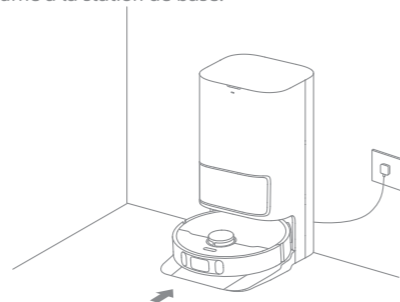
2. Rincez la planche à laver avec de l'eau propre, et utilisez l'outil de nettoyage pour nettoyer le fond de la station de base.



3. Après quelques instants, la station de base évacuera automatiquement l'eau sale. Puis séchez-la avec un chiffon doux et sec, et remettez la planche à laver en place.



4. Utilisez l'application ou appuyez brièvement sur le bouton  sur le robot pour qu'il retourne à la station de base.

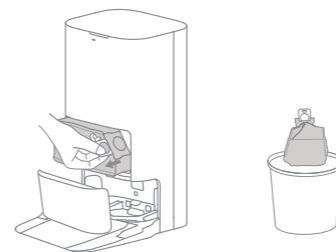


Remarque : Pendant le nettoyage, le robot ne doit pas retourner à la station de base.

Entretien courant

Sac à poussière

1. Jetez le sac à poussière.

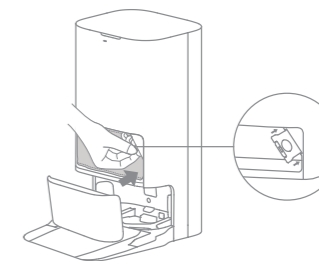


Remarque : Tirez vers le haut sur la poignée pour verrouiller le sac et empêcher la poussière et les débris de tomber accidentellement.

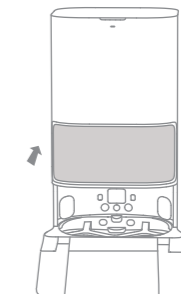
2. Retirez la poussière et les débris du filtre avec un chiffon sec.



3. Installez un nouveau sac à poussière.



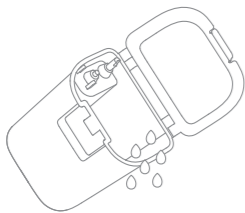
4. Remettez le couvercle du réservoir à poussière en place.



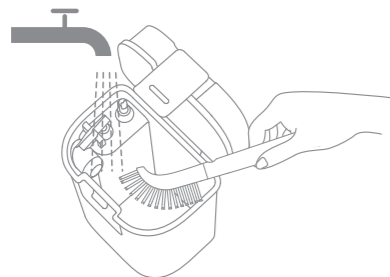
Entretien courant

Réservoir d'eau sale

1. Retirez le réservoir d'eau sale, enlevez son couvercle et évacuez l'eau sale.



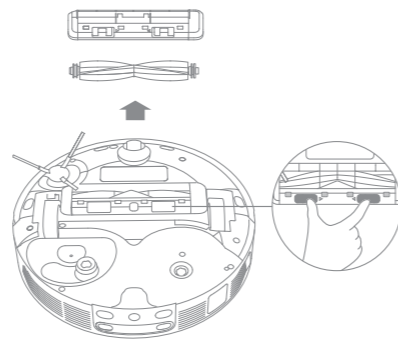
2. Rincez le réservoir d'eau sale à l'eau claire et utilisez l'outil de nettoyage fourni pour nettoyer la paroi intérieure du réservoir d'eau sale.



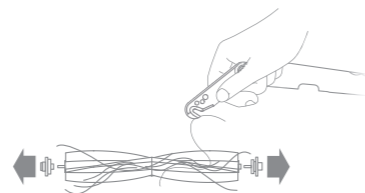
Remarque : La boule flottante dans le réservoir d'eau sale est une pièce mobile. N'appliquez pas une force excessive lorsque vous la nettoyez pour ne pas l'endommager.

Brosse principale

1. Enfoncez les clips de la grille de protection de la brosse pour retirer la grille de protection de la brosse et sortez la brosse du robot.



2. Retirez les couvercles de brosse aux deux extrémités de la brosse comme illustré sur la figure. Utilisez l'outil de nettoyage fourni pour enlever les poils emmêlés dans la brosse.



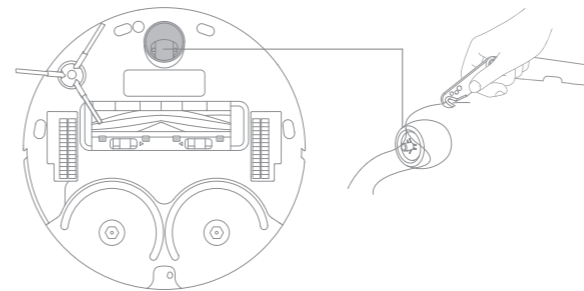
Entretien courant

Brosse latérale

Retirez et nettoyez la brosse latérale.



Roue omnidirectionnelle

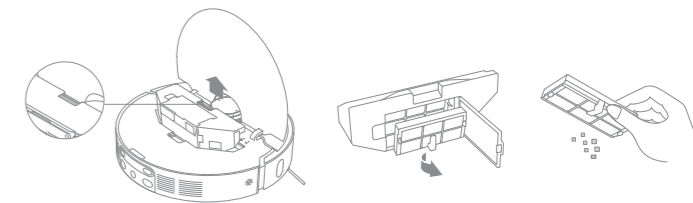


Remarque :

- Utilisez un outil tel qu'un petit tournevis pour séparer l'essieu et le pneu de la roue omnidirectionnelle. N'appliquez pas de force excessive.
- Rincez la roue omnidirectionnelle sous l'eau courante et remettez-la après l'avoir complètement séchée.

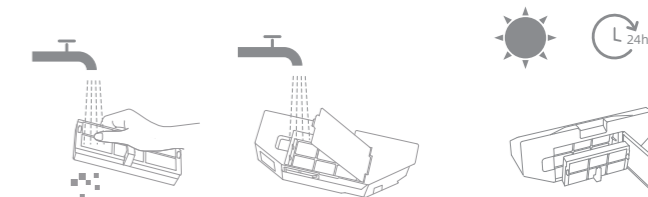
Filtre et compartiment à poussière

1. Ouvrez le couvercle du robot et appuyez sur la fixation de compartiment à poussière pour retirer le compartiment à poussière. Puis retirez le filtre et tapotez légèrement son panier.



Remarque : N'essayez pas de nettoyer le filtre à l'aide d'une brosse, d'un doigt ou d'un objet tranchant afin d'éviter les dommages.

2. Rincez le compartiment à poussière et le filtre à l'eau et séchez-les complètement avant de les réinstaller.



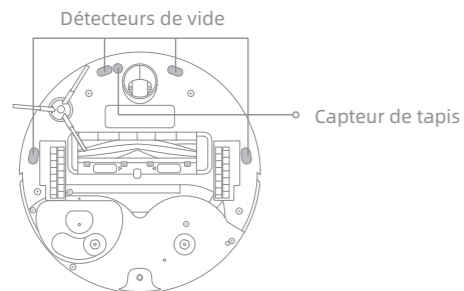
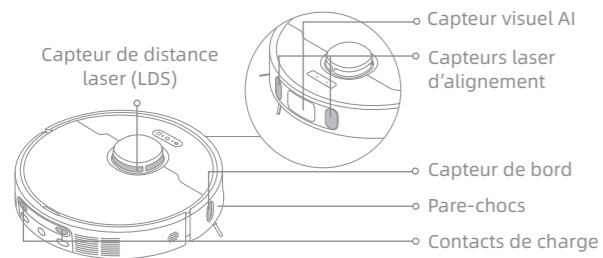
Remarque :

- Rincez le compartiment à poussière et le filtre uniquement à l'eau claire. N'utilisez aucun détergent.
- Utilisez le compartiment à poussière et le filtre uniquement lorsqu'ils sont complètement secs.

Entretien courant

Capteurs et contacts de charge du robot

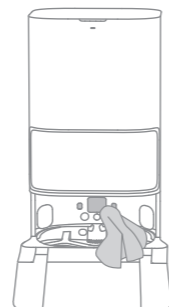
Essuyez les capteurs et les contacts de charge du robot à l'aide d'un chiffon doux et sec, comme illustré sur la figure ci-dessous :



Remarque : Un chiffon humide peut endommager les éléments sensibles dans le robot et la station de base. Veuillez utiliser un chiffon sec pour le nettoyage.

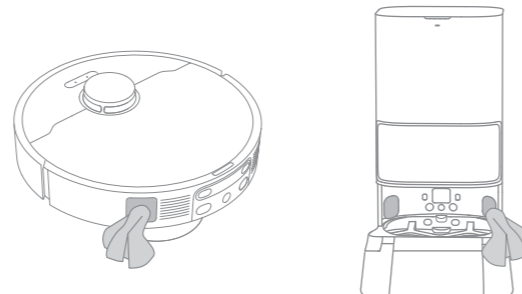
Contacts de charge

Nettoyez les contacts de charge et la zone d'émission du signal de la station de base à l'aide d'un chiffon doux et sec.



Événements de vide automatique

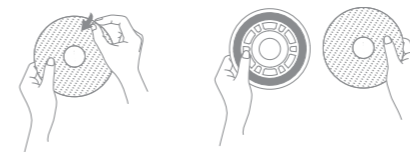
Nettoyez les événements de vidage automatique du robot et la station de base à l'aide d'un chiffon doux et sec.



Entretien courant

Serpillère



Retirez la serpillère sur le support pour la remplacer.



Batterie

Le robot contient une batterie lithium-ion haute performance. Assurez-vous que la batterie reste bien chargée pour une utilisation au quotidien afin de maintenir les performances optimales de la batterie.

Problème	Solution
Le robot ne s'allume pas.	Le niveau de batterie est bas. Rechargez la batterie sur la base et réessayez. La température de la batterie est trop basse ou trop haute. Il est recommandé d'utiliser l'appareil à une température comprise entre 32 °F (0 °C) et 104 °F (40 °C).
Le robot ne se recharge pas.	La station de base n'est pas connectée à l'alimentation, veuillez vous assurer que les deux extrémités de son cordon d'alimentation sont correctement branchées. Le contact entre les contacts de charge sur la station de base et le robot est défectueux, veuillez nettoyer les contacts de charge. Vérifiez la présence d'objet étranger au niveau du connecteur du robot et retirez-le le cas échéant.
Le robot ne se connecte pas au réseau Wi-Fi.	Le mot de passe du réseau Wi-Fi n'est pas correct. Assurez-vous que le mot de passe utilisé pour vous connecter à votre réseau Wi-Fi est correct. Le robot ne prend pas en charge la connexion Wi-Fi 5 GHz. Assurez-vous que le robot est relié à une connexion Wi-Fi 2,4 GHz. Le signal Wi-Fi est faible. Assurez-vous que le robot est dans une zone de couverture Wi-Fi satisfaisante. Le robot peut ne pas être prêt à être configuré. Veuillez quitter et rouvrir l'application, puis essayez à nouveau comme indiqué.
Le robot ne trouve pas et retourne à la station de base.	La station de base est déconnectée de l'alimentation ou déplacée lorsque le robot n'est pas dessus. Il y a trop d'obstacles autour de la station de base. Placez la station de base dans une zone plus dégagée. Tout déplacement du robot peut entraîner son repositionnement : il recréera alors une carte s'il n'est pas correctement repositionné. Si le robot est trop éloigné de la station de base, il peut ne pas revenir automatiquement à la station de lui-même, auquel cas vous devrez manuellement placer le robot sur la station de base. Essayez la zone d'émission du signal sur la station de base pour éliminer la poussière ou les débris.
Le robot reste bloqué devant la station de base et ne peut pas retourner vers elle.	Dégagez tout obstacle à moins de 5 cm sur les côtés gauche et droit ou à moins de 1,5 m devant la station de base pour éviter que le robot ne soit bloqué. L'itinéraire pour revenir se recharger est bloqué, par ex. la porte est fermée. Le robot peut glisser si le sol devant la station de base est trop humide. Dans ce cas, nettoyez l'excès d'eau avant de réessayer. Il est recommandé de déplacer la station de base dans un autre endroit et réessayez. Assurez-vous que la plaque d'extension de rampe est correctement installée.

Problème	Solution
Le robot ne s'éteint pas.	Le robot ne peut pas être désactivé lorsqu'il se recharge. Il est recommandé de retirer le robot de la station de base, puis d'appuyer et de maintenir le bouton  enfoncé pendant 3 secondes pour le désactiver. Si le robot ne peut pas être désactivé en effectuant l'étape 1, appuyez et maintenez le bouton  enfoncé pendant 10 secondes pour forcer la désactivation du robot. Si le problème persiste, contactez le service après-ventes.
La vitesse de charge est lente.	La charge complète du robot, lorsque le niveau de la batterie est bas, dure environ 3,5 heures. Si vous utilisez le robot à des températures en dehors de la plage indiquée, la vitesse de charge ralentira automatiquement pour prolonger l'autonomie de la batterie. Les contacts de charge sur le robot et la base peuvent être sales, veuillez les essuyer avec un chiffon sec.
Le bruit augmente lors du fonctionnement du robot.	Vérifiez si le compartiment à poussière est bouché. Si c'est le cas, nettoyez-le ou remplacez-le. Un objet est peut-être coincé dans la brosse principale ou le compartiment à poussière. Vérifiez et retirez l'objet. La brosse principale ou la brosse latérale sont peut-être bloquées. Vérifiez et retirez tous les objets étrangers. Passez le mode d'aspiration sur Standard ou Silencieux.
Le robot se déplace sans suivre l'itinéraire défini.	Les objets tels que cordons d'alimentation et pantoufles doivent être rangés avant d'utiliser le robot. Les surfaces mouillées et glissantes peuvent faire patiner la roue principale. Il est recommandé de sécher les endroits humides avant d'utiliser le robot. Essayez les capteurs laser en ligne et le capteur visuel AI sur le robot avec un chiffon propre et doux pour les maintenir propres et sans obstruction.
Le robot n'a pas trouvé les pièces à nettoyer.	Assurez-vous que la porte de chaque pièce à nettoyer est ouverte. Vérifiez la présence de seuil d'une hauteur supérieure à 2 cm à l'entrée de la pièce. Le robot ne peut pas franchir des marches ou des seuils hauts. L'espace dans la pièce à nettoyer est peut-être glissant et mouillé, et le robot patine et ne fonctionne pas normalement. Séchez le sol avant d'utiliser le robot.

Problème	Solution
Le robot ne reprend pas le nettoyage après la recharge.	Assurez-vous que le robot n'est pas programmé sur le mode Ne pas déranger (DND), ce qui peut l'empêcher de reprendre le nettoyage. Le robot ne reprend pas le nettoyage si vous avez ramené le robot à la main sur la station de base pour le recharger, ce qui inclut de placer manuellement le robot sur la station de base ou d'envoyer le robot se charger via l'application ou le robot lui-même.
La station ne vide pas automatiquement le compartiment à poussière.	Vérifiez si le sac à poussière dans le compartiment à poussière est plein. Si le sac à poussière n'est pas plein, vérifiez si les événements de vidage automatique du robot sont obstrués, la station de base ou le compartiment à poussière. Si c'est le cas nettoyez la pièce bloquée.
Le niveau d'eau dans la planche à laver est anormal.	Retirez la planche à laver et vérifiez si la conduite des eaux usées est bouchée, et nettoyez-la. Enfoncez légèrement le réservoir d'eau sale pour vous assurer qu'il est correctement installé. Vérifiez si le joint sur le réservoir d'eau sale est desserré ou mal installé, et fixez-le à nouveau manuellement le cas échéant. Si le problème persiste, contactez l'équipe de service après-ventes. Vérifiez la solution de nettoyage. N'ajoutez pas de liquide autre que la solution de nettoyage approuvée.

Pour obtenir de l'aide, contactez-nous via <https://global.dreametech.com>

Caractéristiques techniques

Robot

Modèle	RLL82CE-2
Temps de charge	Environ 3,5 heures
Tension nominale	14,4 V ---
Puissance nominale	75 W
Fréquences de fonctionnement	2400-2483,5 MHz
Puissance de sortie maximale	<20 dBm

Dans des conditions normales d'utilisation, cet équipement doit respecter une distance de séparation de 20 cm au moins entre l'antenne et le corps de l'utilisateur.

Station de base

Modèle	RCLE0301-2
Tension d'entrée nominale	220-240 V ~ 50-60 Hz
Tension de sortie nominale	20 V --- 2 A
Puissance nominale (pendant la vidange de la poussière)	1000 W
Puissance nominale (pendant le nettoyage)	40 W
Puissance nominale (pendant la charge et le séchage)	89 W

Remarque : La puissance nominale (pendant la charge et le séchage) est déterminée par la valeur de puissance pendant la période de pleine charge.

Retrait et élimination de la batterie

La batterie lithium-ion intégrée contient des substances dangereuses pour l'environnement. Avant de mettre la batterie au rebut, veillez à ce qu'elle soit enlevée par un technicien qualifié et déposée dans un centre de collecte approprié.

- la batterie doit être retirée de l'appareil avant qu'il ne soit mis au rebut ;
- l'appareil doit être débranché de la prise secteur pour le retrait de la batterie ;
- la batterie doit être éliminée de manière sûre.

PRUDENCE :

Avant d'enlever la batterie, débranchez l'alimentation et déchargez au maximum la batterie.

Les batteries usagées doivent être déposées dans un centre de collecte approprié.

N'exposez pas la batterie dans un environnement à haute température pour éviter les risques d'explosion.

En cas d'usage abusif, du liquide peut s'échapper de la batterie. En cas de contact, rincez à l'eau et consultez un médecin.

Guide pour le retrait :

1. Retournez le robot, utilisez l'outil adapté pour retirer les vis à l'arrière du robot, puis enlevez le couvercle.
2. Débranchez les bornes entre la batterie et la carte de circuit imprimé pour retirer la batterie.



Informations concernant les DEEE



Tous les produits portant ce symbole sont des déchets d'équipements électriques et électroniques (DEEE d'après la directive 2012/19/UE) qui ne doivent pas être mélangés avec les ordures ménagères non triées. Vous devez protéger la santé humaine et l'environnement en déposant votre équipement usagé dans un point de collecte prévu à cet effet pour le recyclage des déchets d'équipements électriques et électroniques, désigné par le gouvernement et les autorités locales. Des procédures d'élimination et de recyclage adéquates permettent d'éviter les effets nocifs sur l'environnement et la santé humaine. Veuillez contacter l'installateur ou les autorités locales pour plus d'informations sur le site, ainsi que les modalités et conditions des points de collecte de ce type.

Informazioni sulla sicurezza

Per evitare scosse elettriche, incendi o lesioni causate da un uso improprio dell'apparecchio, leggere attentamente il manuale d'uso prima di utilizzare l'apparecchio e conservarlo per eventuali riferimenti futuri.

Restrizioni d'uso

- Questo prodotto non deve essere utilizzato da bambini di età inferiore a 8 anni o da persone con deficit fisici, sensoriali, intellettuali o con esperienza o conoscenze limitate senza la supervisione di un genitore o di un tutore per garantire un funzionamento sicuro ed evitare qualsiasi rischio. La pulizia e la manutenzione non devono essere eseguite da bambini senza supervisione.
- L'apparecchio deve essere utilizzato solo con l'alimentatore fornito in dotazione.
- Questo apparecchio contiene batterie che possono essere sostituite solo da personale specializzato.
- Liberare l'area da pulire. I bambini non devono giocare con l'apparecchio. Assicurarsi che bambini e animali domestici siano tenuti a distanza di sicurezza dal robot durante il suo funzionamento.
- Non installare, caricare o utilizzare l'apparecchio nei bagni o intorno alle piscine.
- Questo prodotto è destinato esclusivamente alla pulizia dei pavimenti in ambiente domestico. Non utilizzare all'aperto, su superfici non pavimentate o in ambienti commerciali o industriali.
- Assicurarsi che l'apparecchio funzioni correttamente in un ambiente adeguato. In caso contrario, non utilizzare l'apparecchio.
- Se il cavo di alimentazione è danneggiato, deve essere sostituito con un cavo o un gruppo speciale disponibile presso il produttore o il suo agente di assistenza.
- Non utilizzare il robot in un'area sospesa sopra il livello del suolo senza una barriera protettiva.

Restrizioni d'uso

- Non posizionare il robot a testa in giù. Non utilizzare il coperchio dell'LDS, il coperchio del robot o il paraurti come impugnatura del robot.
- Non utilizzare il robot a una temperatura ambiente superiore a 40 °C o inferiore a 0 °C o su un pavimento con liquidi o sostanze appiccicose.
- Per evitare danni o danni da trascinamento, prima di mettere in funzione l'apparecchio, rimuovere tutti gli oggetti lasciati sul pavimento e i cavi o i fili di alimentazione che si trovano sul percorso di pulizia.
- Rimuovere gli oggetti fragili o piccoli dal pavimento per evitare che il robot li urti e li danneggi.
- Tenere capelli, dita e altre parti del corpo lontano dall'apertura di aspirazione del robot.
- Tenere lo strumento di pulizia fuori dalla portata dei bambini.
- Non mettere in funzione l'apparecchio in una stanza in cui dorme un neonato o un bambino.
- Non collocare bambini, animali domestici o altri oggetti sopra il robot, indipendentemente dal fatto che sia fermo o in movimento.
- Tenere la soluzione detergente fuori dalla portata dei bambini.
- Utilizzare solo il detersivo ufficialmente approvato. Non aggiungere liquidi come alcol o disinfettanti.
- Non utilizzare il robot per pulire oggetti molto caldi. Non utilizzare il robot per raccogliere liquidi infiammabili o combustibili, gas corrosivi, acidi o solventi non diluiti.

Restrizioni d'uso

- Non aspirare oggetti duri o taglienti. Non utilizzare l'apparecchio per raccogliere oggetti come sassi, grandi pezzi di carta o qualsiasi altro oggetto che possa intasare l'apparecchio.
- La spina deve essere rimossa dalla presa di corrente prima di procedere alla pulizia o alla manutenzione dell'apparecchio.
- Non pulire il robot o la stazione base con un panno bagnato e non sciacquarli con alcun liquido. Dopo aver pulito le parti lavabili, asciugarle completamente prima di reinstallarle e utilizzarle.
- Utilizzare questo prodotto in conformità alle istruzioni contenute nel manuale d'uso. Gli utenti sono responsabili di eventuali perdite o danni derivanti dall'uso improprio di questo prodotto.

Batterie e Caricamento

- Non utilizzare batterie o stazioni base di parte terza. Il robot può essere utilizzato solo con la stazione base modello RCLE0301-2.
- Non tentare di smontare, riparare o modificare da soli la batteria o la stazione base.
- Non collocare la stazione base vicino a una fonte di calore.
- Non utilizzare un panno o le mani bagnate per pulire i contatti di ricarica della stazione base.
- Non smaltire impropriamente le vecchie batterie. Le batterie non necessarie devono essere smaltite presso un impianto di riciclo appropriato.
- Se il cavo di alimentazione è danneggiato o rotto, interrompere immediatamente l'uso e contattare il servizio di assistenza.

IT Informazioni sulla sicurezza

Batterie e Caricamento

- Assicurarsi che il robot sia spento durante il trasporto e, se possibile, conservato nell'imballaggio originale.
- Se il robot non viene utilizzato per un tempo prolungato, caricarlo completamente, quindi spegnerlo e conservarlo in un luogo fresco e asciutto. Ricaricare il robot almeno una volta ogni 3 mesi per evitare di scaricare eccessivamente la batteria.

Informazioni sulla sicurezza del laser

- Il sensore laser di questo prodotto è conforme alla norma IEC 60825-1:2014/ EN 60825- 1:2014/A11:2021 per i prodotti laser di Classe 1. Evitare il contatto diretto con gli occhi durante l'uso.

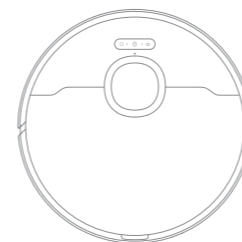
PRODOTTO LASER DI CLASSE 1
PRODOTTO LASER DI CONSUMO
EN 50689:2021

Con la presente, Dreame Trading(Tianjin)Co., Ltd. dichiara che l'apparecchiatura radio di tipo RLL82CE-2 è conforme alla Direttiva 2014/53/UE. Il testo completo della dichiarazione di conformità dell'UE è disponibile al seguente indirizzo internet: <https://global.dreame.tech.com>

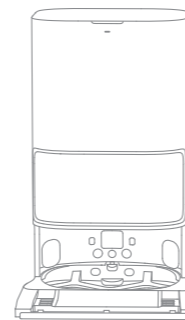
Per un manuale elettronico dettagliato, visitare il sito <https://global.dreame.tech.com/pages/user-manuals-and-faqs>

IT Panoramica del prodotto

Contenuto della confezione



Robot



Stazione base

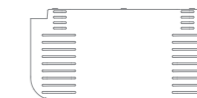
Altri accessori



Spazzola laterale



Cavo di alimentazione



Rampa della stazione base
Piastra di estensione



Manuale d'uso



Tampone del mocio
(preinstallato)



Supporto per il tampone
del mocio



Sacchetto per la polvere
(1 preinstallato)



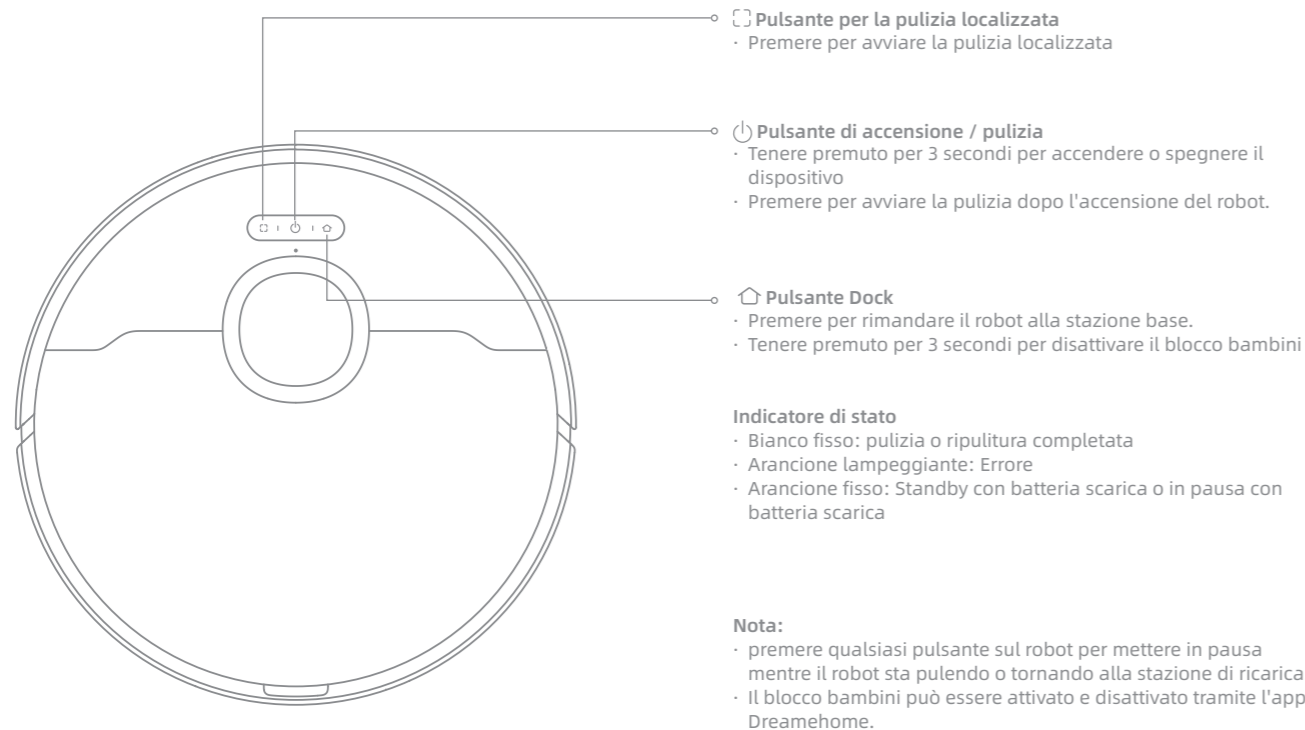
Pulizia
Soluzione



Strumento di pulizia

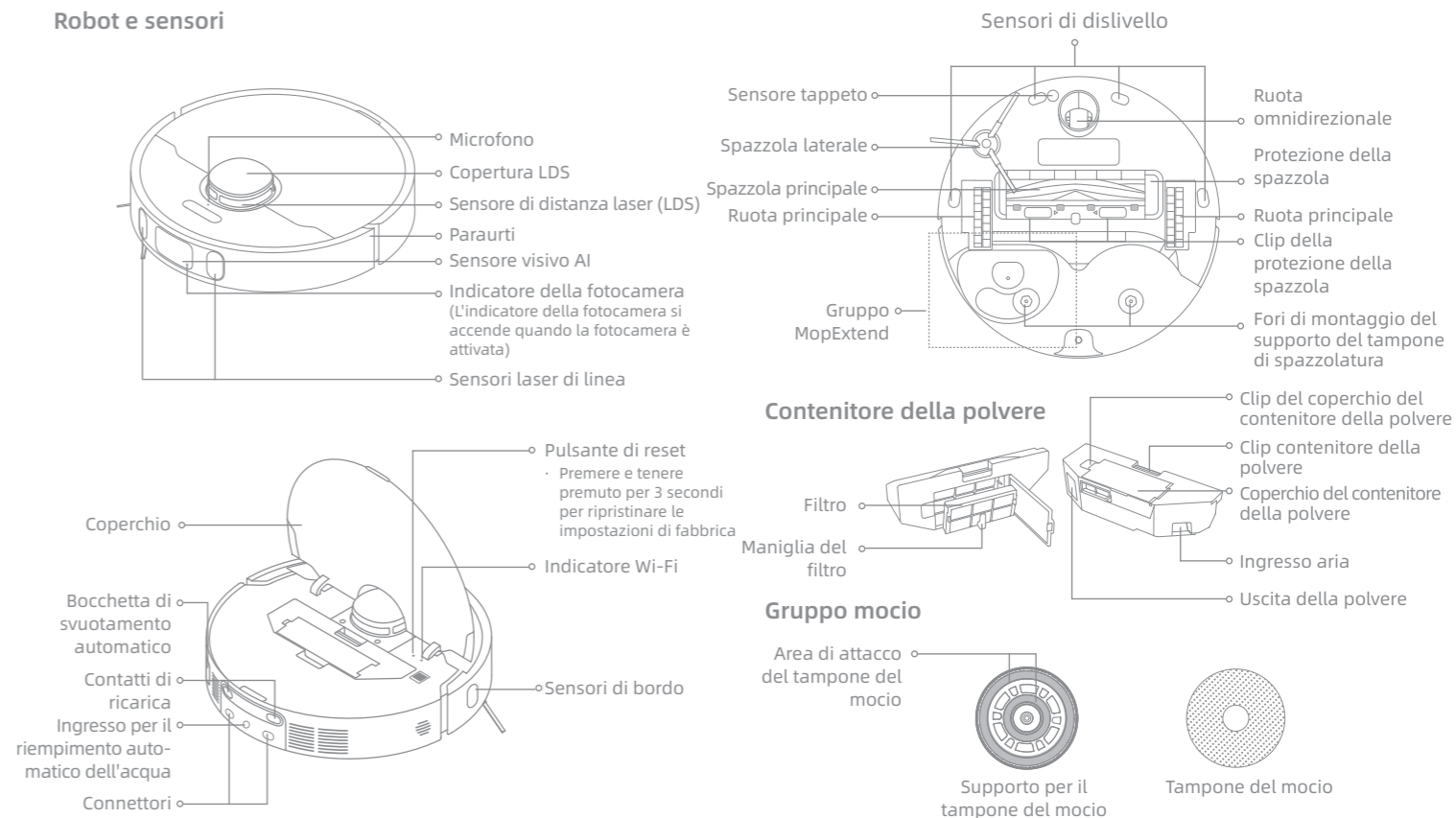
Panoramica del prodotto

Robot



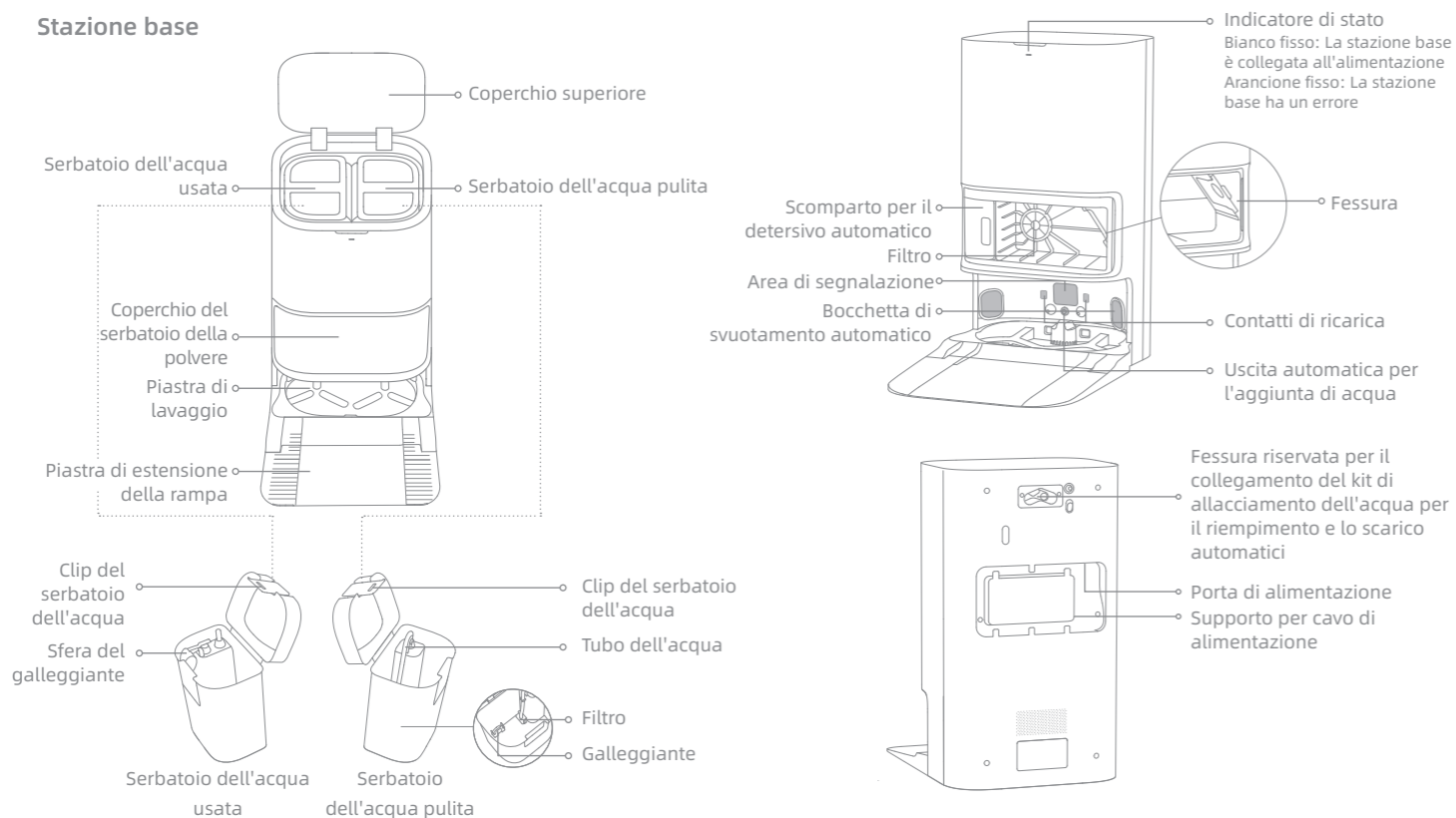
Panoramica del prodotto

Robot e sensori



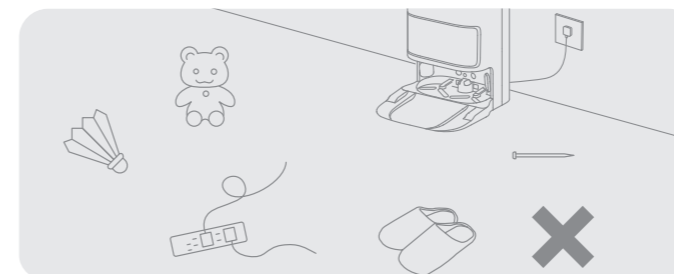
Panoramica del prodotto

Stazione base

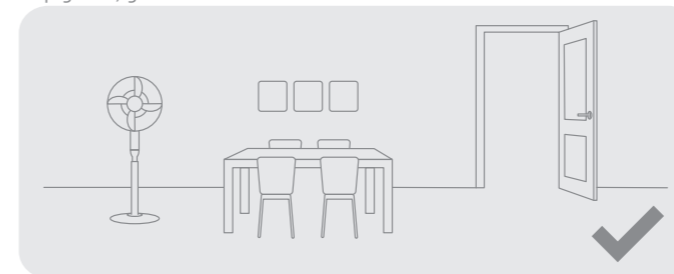


Nota: Il kit di collegamento all'acqua per il riempimento e lo scarico automatico deve essere acquistato separatamente (disponibile solo in alcune regioni).

Preparare la casa



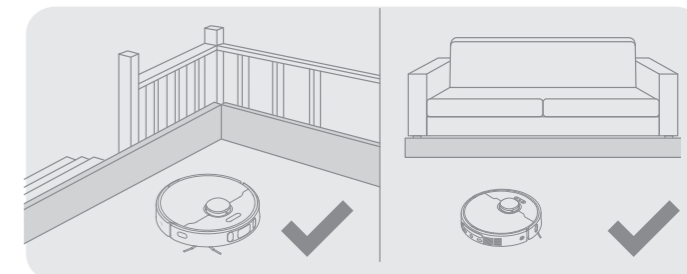
Prima di procedere alla pulizia, allontanare gli oggetti instabili, fragili, di valore o pericolosi e togliere i cavi, i panni, i giocattoli, gli oggetti duri e gli oggetti appuntiti che si trovano a terra, per evitare che il robot possa impigliarsi, graffiarsi o rovesciarsi e causare danni.



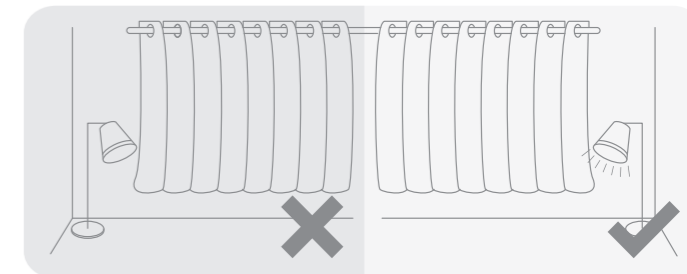
Aprire la porta della stanza da pulire e sistemare i mobili al loro posto per lasciare più spazio.

Nota:

- Quando si utilizza il robot per la prima volta, seguirlo durante la pulizia per eliminare in tempo eventuali ostacoli.
- Per evitare che il robot non riconosca le aree da pulire, non sostare davanti al robot, alle soglie, ai corridoi o ai luoghi angusti.
- Non aspirare oggetti duri come pietre, sfere d'acciaio e parti di giocattoli, né oggetti appuntiti come rifiuti edili, vetri rotti e chiodi, per evitare di graffiare il pavimento.



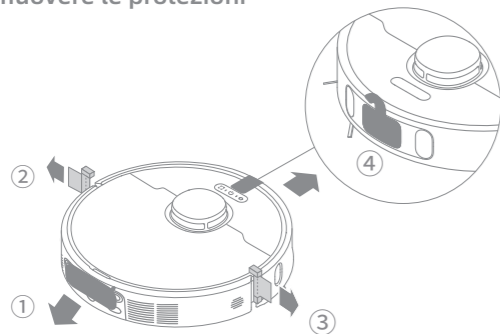
Prima della pulizia, posizionare una barriera fisica sul bordo delle scale e del divano per garantire il funzionamento sicuro e senza intoppi del robot.



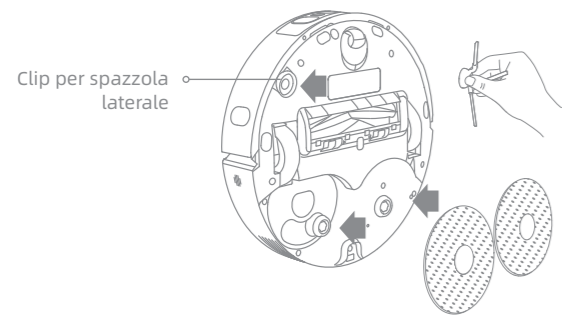
Con il sensore visivo AI, il robot è in grado di riconoscere ed evitare meglio ostacoli come cavi di alimentazione, scarpe e calzini. Per sfruttare al meglio il sensore visivo AI, assicurarsi che tutte le aree da pulire siano ben illuminate.

Prima dell'uso

1. Rimuovere le protezioni



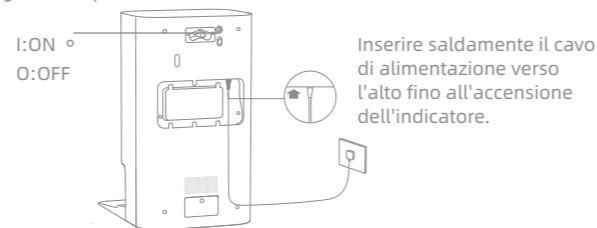
2. Installare la spazzola laterale e il gruppo del mocio



Nota: Installare la spazzola laterale finché non scatta in posizione.

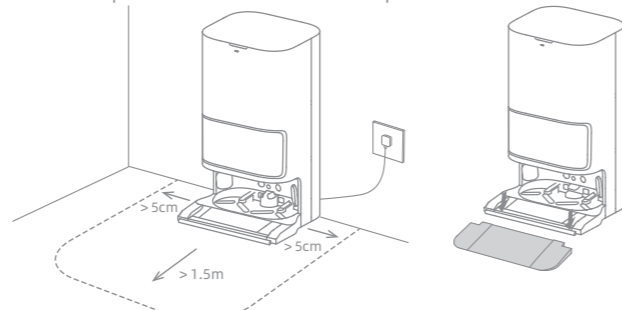
3. Collegare a una presa elettrica

Collocare la stazione base in una posizione il più possibile aperta e con un buon segnale Wi-Fi. Inserire quindi il cavo di alimentazione nella stazione base e collegarlo alla presa.



4. Posizionare la stazione base e installare la piastra di estensione della rampa della stazione base


Posizionare la stazione base e rimuovere tutti gli oggetti più vicini di 1,5 m dalla parte anteriore e di 5 cm da entrambi i lati della stazione base. Quindi installare la piastra di estensione della rampa fino alla stazione base.

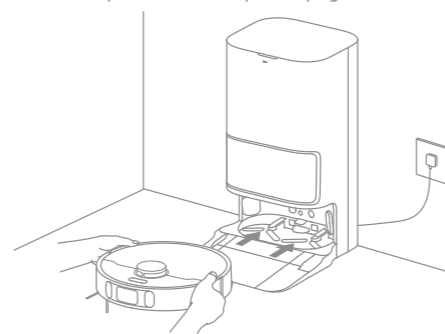


Nota: Per evitare che le macchie d'acqua bagnino i pavimenti in legno o i tappeti, si consiglia di posizionare la stazione base su pavimenti in piastrelle o in marmo.

Prima dell'uso

5. Posizionare il robot

Premere e tenere premuto il pulsante  sul robot per 3 secondi per accenderlo. Posizionare il robot sulla stazione base con il gruppo del mocio rivolto verso la piastra di lavaggio. Quando il robot si connette con successo alla stazione base, viene emessa una notifica vocale. Dopo che il robot è stato completamente caricato, gli indicatori di stato sul robot e sulla stazione base rimarranno accesi per 10 minuti e poi si spegneranno.



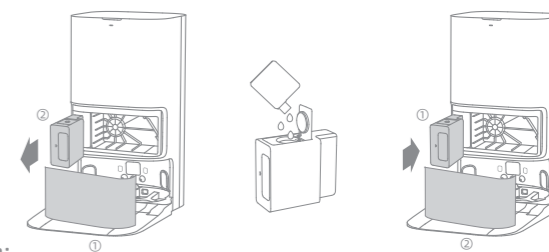
Nota: Si raccomanda di caricare completamente il robot prima del suo primo utilizzo. Se non è possibile accendere il robot dopo l'esaurimento della batteria, collegare manualmente il robot alla stazione per caricarlo.

6. Aggiungere la soluzione detergente

(1) Rimuovere il coperchio del serbatoio della polvere ed estrarre lo scomparto del detergente automatico.

(2) Aprire il coperchio superiore dello scomparto e aggiungere la soluzione detergente.

(3) Chiudere il coperchio dello scomparto, reinserirlo nella stazione base e reinstallare il coperchio del serbatoio della polvere. La soluzione detergente viene aggiunta automaticamente al serbatoio dell'acqua pulita durante il lavoro.

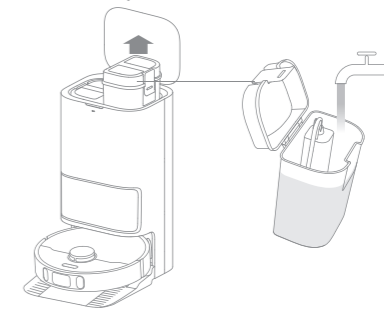


Nota:

- Non aggiungere altri liquidi oltre alla soluzione detergente ufficialmente approvata per evitare malfunzionamenti.
- Installare lo scomparto del detersivo automatico finché non scatta in posizione.

7. Aggiungere acqua al serbatoio dell'acqua pulita

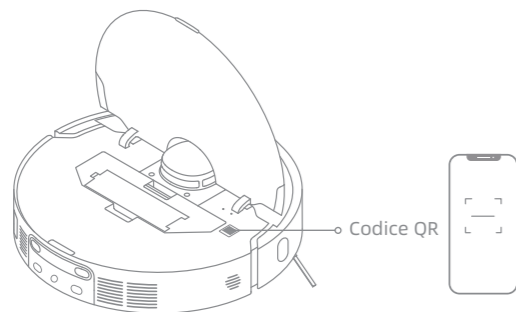
Estrarre il serbatoio dell'acqua pulita dalla stazione base e aggiungere acqua pulita nel serbatoio. Quindi reinserirlo nella stazione base.



Nota: Non aggiungere acqua calda nel serbatoio dell'acqua per evitare che il serbatoio si deformi.

1. Scaricare l'app Dreamehome

Effettuare la scansione del codice QR sul robot, oppure cercare "Dreamehome" nell'App Store per scaricare e installare l'applicazione.



2. Aggiungere un dispositivo

Aprire l'app Dreamehome, toccare "⊕" nell'angolo in alto a destra ed effettuare nuovamente la scansione del codice QR sul robot per aggiungere il dispositivo. Seguire le istruzioni per completare la connessione Wi-Fi.





- Nota:**
- È supportato solo il Wi-Fi a 2,4 GHz.
 - A causa degli aggiornamenti del software dell'applicazione, le operazioni effettive potrebbero differire dalle indicazioni contenute in questo manuale. Seguire le istruzioni in base alla versione attuale dell'app.
- Nota:** se si desidera ripristinare il Wi-Fi, ripetere il passo 2 e poi seguire le istruzioni per terminare la connessione Wi-Fi.

Come si usa

Mappatura veloce

Dopo aver configurato la rete per la prima volta, seguire le istruzioni dell'app per creare rapidamente una mappa e il robot inizierà a mappare senza pulire. Il processo di mappatura sarà completato quando il robot tornerà alla stazione e la mappa sarà salvata automaticamente.

Accensione/spengimento

Premere e tenere premuto il pulsante  per 3 secondi per accendere il robot. L'indicatore di alimentazione dovrebbe essere acceso. Posizionare il robot sulla base, il robot dovrebbe accendersi automaticamente e iniziare a caricarsi. Per spegnere il robot allontanarlo dalla base, premere e tenere premuto il pulsante  per 3 secondi.

Pausa

Quando il robot è in funzione, premere un pulsante qualsiasi per metterlo in pausa.

Se il robot rimane in pausa per più di 10 minuti, entra automaticamente in modalità di riposo. L'indicatore di alimentazione e l'indicatore di carica si spengono. Premere un pulsante qualsiasi del robot o utilizzare l'app per attivarlo.

- Nota:**
- Il robot si spegne automaticamente se viene lasciato in modalità di riposo per più di 12 ore.
 - Se il robot viene messo in pausa e posizionato sulla stazione base, il processo di pulizia in corso viene interrotto.

Ripresa automatica della pulizia

Se la batteria è troppo scarica, il robot tornerà automaticamente alla stazione base per ricaricarsi. Dopo la ricarica al livello di batteria appropriato, riprenderà le attività di pulizia non completate.


Nota: Per utilizzare questa funzione, aprirla nell'app.

Modalità Non disturbare (DND)



Quando il robot è impostato sulla modalità Non disturbare (DND), il robot non può riprendere la pulizia e l'indicatore di alimentazione si spegne. La modalità DND è disattivata per impostazione predefinita in fabbrica. Con l'app è possibile attivare la modalità DND o modificare il periodo di DND. Per impostazione predefinita, il periodo di DND va dalle 22:00 alle 8:00.

- Nota:**
- Le attività di pulizia programmate saranno eseguite puntualmente durante il periodo di DND.
 - Il robot riprenderà la pulizia dal punto in cui l'aveva lasciata allo scadere del periodo di DND.

Pulizia localizzata

Quando il robot è in standby, premere brevemente il pulsante  per attivare la modalità di pulizia localizzata. In questa modalità, il robot pulisce un'area quadrata di 1,5 x 1,5 metri intorno a sé e torna al punto di partenza una volta completata la pulizia localizzata.

Riavvio del robot

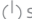
Se il robot smette di rispondere o non può essere spento, premere e tenere premuto il pulsante  per 10 secondi per spegnerlo forzatamente. Quindi, premere e tenere premuto il pulsante  per 3 secondi per accendere il robot.

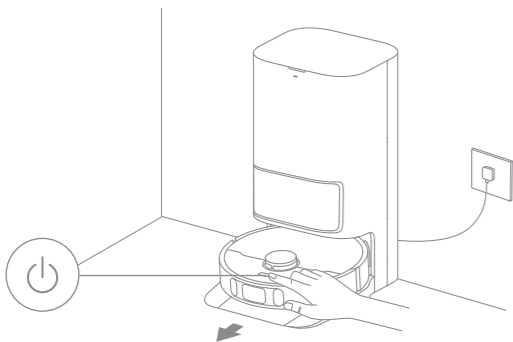
Come si usa

Aspirazione e mocio

Nota: Nota: quando si utilizza il gruppo mocio per la prima volta, il robot esegue il compito "Aspirazione e mocio" per impostazione predefinita.

1. Avvio della pulizia

Premere il pulsante  sul robot, oppure utilizzare l'app per far partire il robot dalla stazione base. Quindi il robot pianifica il percorso di pulizia ottimale ed esegue l'operazione di pulizia in base alla mappa creata.

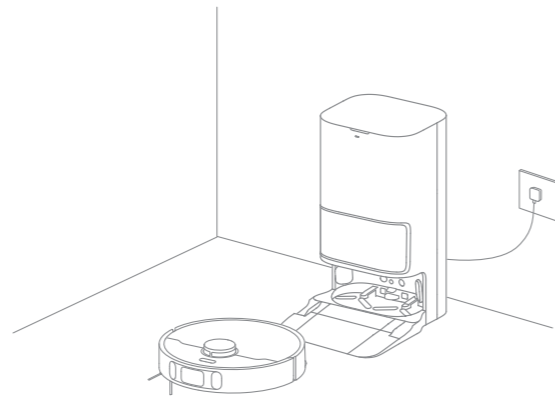


Nota:

- I tamponi del mocio verranno puliti prima che il robot inizi a pulire, attendere pazientemente.
- Non spostare la stazione base, il serbatoio dell'acqua pulita, il serbatoio dell'acqua usata o la piastra di lavaggio durante il funzionamento.

2. Lavaggio automatico del mocio

Durante la pulizia, il robot tornerà automaticamente alla stazione base per lavare i moci in base alla frequenza di pulizia specificata nell'app. La stazione base riempirà automaticamente il serbatoio dell'acqua del robot e il robot riprenderà la pulizia.

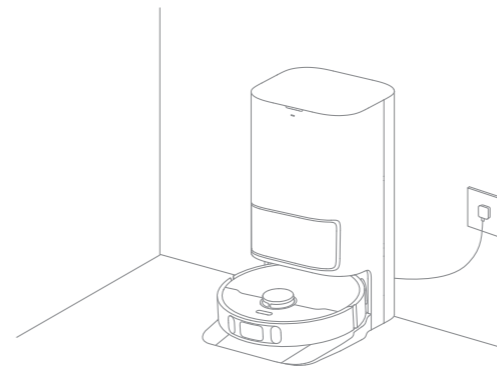


Nota: Se il robot torna alla stazione base per lavare i suoi moci durante la pulizia, la stazione base non svuoterà automaticamente il contenitore della polvere.

Come si usa

3. Svuotare automaticamente il contenitore della polvere e lavare e asciugare i moci dopo aver terminato l'attività "Aspirazione e mocio".

Dopo che il robot ha terminato un'attività di pulizia e torna alla stazione base per ricaricarsi, la stazione base inizierà automaticamente a svuotare il contenitore della polvere, quindi pulirà e asciugherà i tamponi del mocio.



Nota:

- Se la funzione di svuotamento automatico è disattivata nell'app, la stazione base non svuoterà automaticamente il contenitore della polvere.
- La stazione base svuoterà il contenitore della polvere in base alla frequenza impostata nell'app.

4. Pulire il serbatoio dell'acqua usata

Dopo che il robot ha completato l'operazione, pulire il serbatoio dell'acqua usata per evitare odori.

Aspirazione seguita dal mocio

Selezionare "Vacuum then Mop" (Aspirazione seguita dal mocio) nell'app e il robot solleverà automaticamente il gruppo del mocio per aspirare il pavimento. Al termine dell'aspirazione, il robot torna a svuotare il contenitore della polvere e inizia a pulire dopo aver abbassato automaticamente il gruppo del mocio.

Solo Aspirazione

Selezionare "Vacuum Only" (Solo aspirazione) nell'app e il robot solleverà automaticamente il gruppo del mocio e inizierà ad aspirare.

Solo Mocio

Selezionare "Mop Only" (Solo mocio) nell'app e il robot verificherà se il gruppo del mocio è installato. In caso contrario, installare manualmente il gruppo del mocio, quindi il robot inizierà a pulire.

Manutenzione ordinaria

Parti di ricambio

Per mantenere il robot in buone condizioni, si raccomanda di fare riferimento all'uso degli accessori nell'applicazione o alla tabella seguente per la manutenzione ordinaria.

Parte	Frequenza di manutenzione	Periodo di sostituzione
Serbatoio dell'acqua usata	Dopo ogni utilizzo	/
Serbatoio dell'acqua pulita	Una volta ogni 2 settimane	Ogni 6-12 mesi
Spazzola principale		
Filtro del contenitore della polvere		Ogni 3-6 mesi
Spazzola laterale		
Piastra di lavaggio	Una volta al mese	/
Area di segnalazione della stazione base		
Contatti di ricarica della stazione base		
Bocchetta di svuotamento automatico della stazione base		
Ruota omnidirezionale		
Sensori di bordo		
Sensore di distanza laser (LDS)		
Sensore laser di linea		

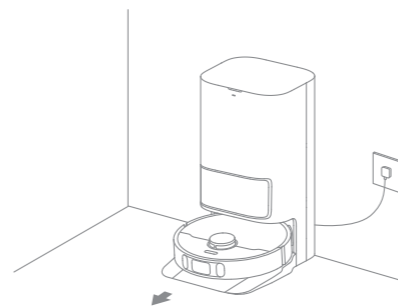
Parte	Frequenza di manutenzione	Periodo di sostituzione
Sensore visivo AI	Una volta al mese	/
Sensore tappeto		
Sensori di dislivello		
Contatti di ricarica del robot		
Paraurti		
Bocchetta di svuotamento automatico del robot		
Ingresso per il rifornimento automatico di acqua del robot	Pulire se necessario	/
Fondo del robot		
Contenitore della polvere		
Sacchetto per la polvere	/	6-8 settimane
Tampone del mocio	/	Ogni 1-3 mesi

Nota: La frequenza di sostituzione dipende dall'utilizzo del robot. Se si verifica un'eccezione dovuta a circostanze particolari, le parti devono essere sostituite.

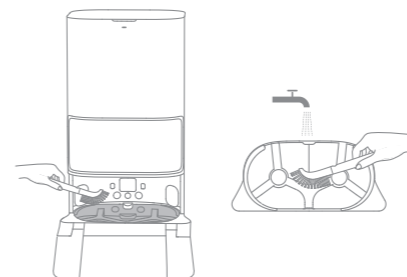
Manutenzione ordinaria

Pulizia della stazione base

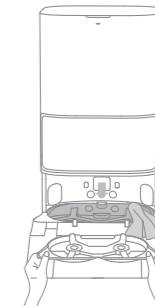
1. Selezionare "Pulizia della stazione base" nell'app e il robot uscirà automaticamente dalla stazione base. Estrarre la piastra di lavaggio e attendere che l'acqua riempia il fondo della stazione base.



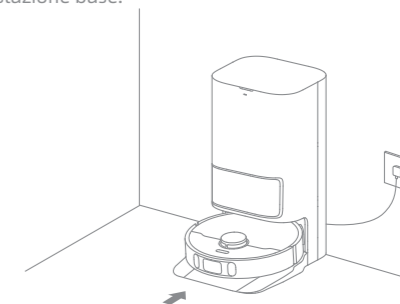
2. Sciacquare la piastra di lavaggio con acqua pulita e utilizzare lo strumento di pulizia per pulire il fondo della stazione base.



3. Dopo qualche istante, la stazione base provvederà a pompare automaticamente l'acqua utilizzata. Quindi asciugare con un panno morbido e asciutto e rimettere la piastra di lavaggio al suo posto.



4. Utilizzare l'app o premere brevemente il pulsante  sul robot per farlo tornare alla stazione base.

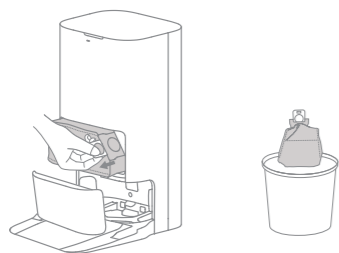


Nota: Durante la pulizia, non far tornare il robot alla stazione base.

Manutenzione ordinaria

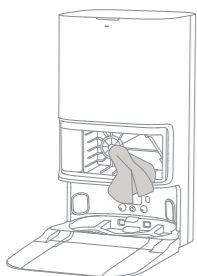
Sacchetto per la polvere

1. Scartare il sacchetto della polvere.

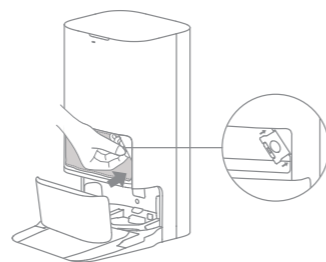


Nota: Tirando verso l'alto la maniglia, il sacchetto viene sigillato per evitare che polvere e detriti cadano accidentalmente.

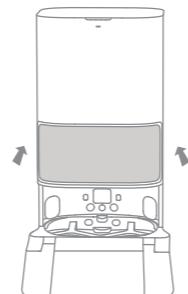
2. Rimuovere la polvere e i detriti dal filtro con un panno asciutto.



3. Installare un nuovo sacchetto per la polvere.



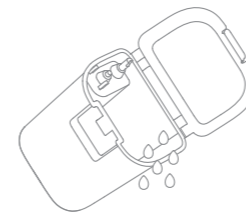
4. Chiudere il coperchio del serbatoio della polvere.



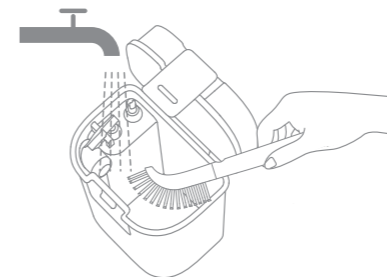
Manutenzione ordinaria

Serbatoio dell'acqua usata

1. Rimuovere il serbatoio dell'acqua usata, aprire il coperchio e versare via l'acqua usata.



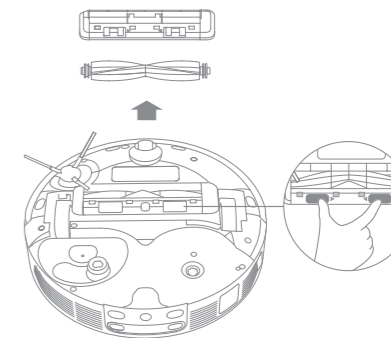
2. Sciacquare il serbatoio dell'acqua usata con acqua pulita e utilizzare l'attrezzo di pulizia in dotazione per pulire la parete interna del serbatoio dell'acqua usata.



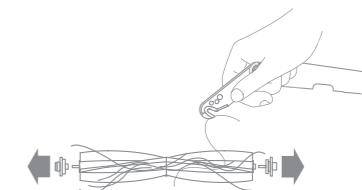
Nota: La sfera del galleggiante nel serbatoio dell'acqua usata è una parte mobile. Non applicare troppa forza durante la pulizia per evitare di danneggiarlo.

Spazzola principale

1. Premere i fermi della protezione della spazzola verso l'interno per rimuoverla e sollevare la spazzola dal robot.



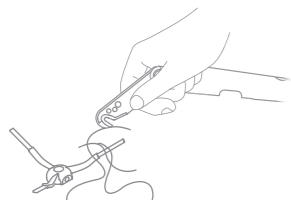
2. Estrarre i coperchi delle spazzole alle due estremità della spazzola, come mostrato nella figura. Utilizzare lo strumento di pulizia in dotazione per rimuovere i capelli aggrovigliati nella spazzola.



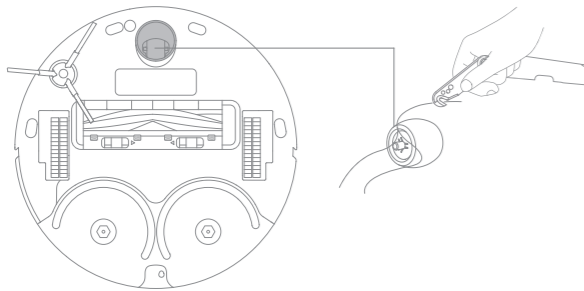
Manutenzione ordinaria

Spazzola laterale

Rimuovere e pulire la spazzola laterale.



Ruota omnidirezionale

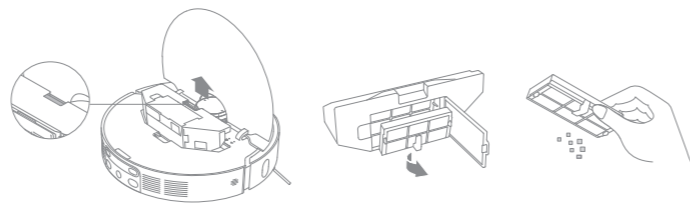


Nota:

- Utilizzare un utensile come un piccolo cacciavite per separare l'asse e lo pneumatico della ruota omnidirezionale. Non usare una forza eccessiva.
- Sciacquare la ruota omnidirezionale sotto l'acqua corrente e rimetterla in posizione dopo averla asciugata completamente.

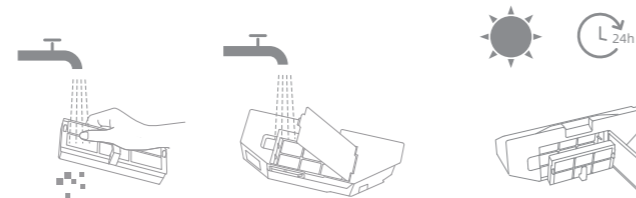
Contenitore della polvere e filtro

1. Aprire il coperchio del robot e premere la clip del contenitore per rimuovere il contenitore della polvere. Rimuovere il filtro e battere delicatamente il suo cestello.



Nota: Non tentare di pulire il filtro con spazzole, dita o oggetti appuntiti per evitare di danneggiarlo.

2. Sciacquare il contenitore della polvere e il filtro con acqua e asciugarli completamente prima di reinstallarli.



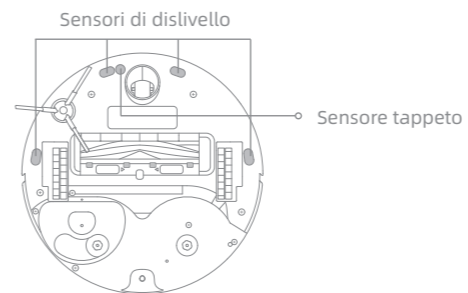
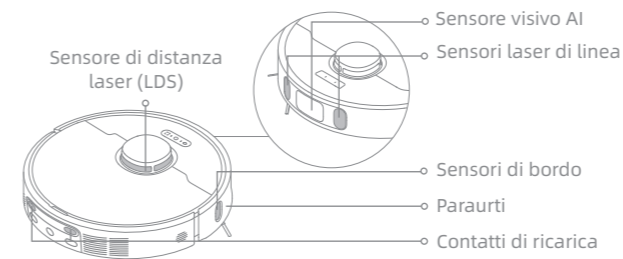
Nota:

- Sciacquare il contenitore della polvere e il filtro solo con acqua pulita. Non utilizzare alcun detergente.
- Utilizzare il contenitore della polvere e il filtro solo quando sono completamente asciutti.

Manutenzione ordinaria

Sensori del robot e contatti di ricarica

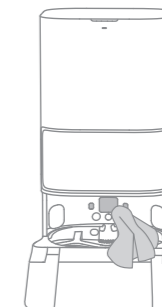
Pulire i sensori e i contatti di ricarica del robot utilizzando un panno morbido e asciutto, come mostrato nella figura seguente:



Nota: Un panno bagnato può danneggiare gli elementi sensibili del robot e della stazione base. Per la pulizia utilizzare un panno asciutto.

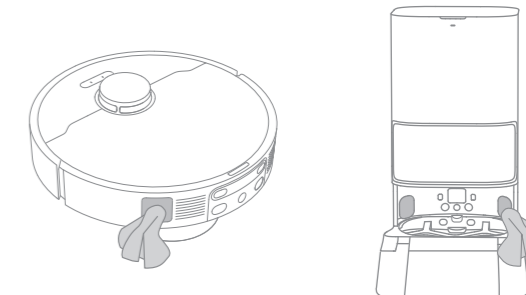
Contatti di ricarica

Pulire i contatti di ricarica e l'area di segnalazione della stazione base con un panno morbido e asciutto.



Bocchette per lo svuotamento automatico

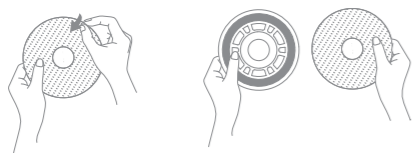
Pulire le bocchette di svuotamento del robot e della stazione base con un panno morbido e asciutto.



Manutenzione ordinaria

Tampone del mocio

Per sostituirlo, rimuovere il tampone dal relativo supporto.





Batteria

Il robot contiene una batteria agli ioni di litio ad alte prestazioni. Assicurarsi che la batteria rimanga ben carica durante l'uso quotidiano per mantenere prestazioni ottimali.

Risoluzione dei problemi

Problema	Soluzione
Il robot non si accende.	La batteria è scarica. Ricaricare il robot sulla base e riprovare. La temperatura della batteria è troppo bassa o troppo elevata. Si raccomanda di far funzionare l'apparecchio a una temperatura compresa tra 32 °F (0 °C) e 104 °F (40 °C).
Il robot non si carica.	La stazione base non è collegata all'alimentazione, accertarsi che entrambe le estremità del cavo di alimentazione siano collegate correttamente. Il contatto tra i contatti di ricarica della stazione base e il robot è insufficiente, pulire i contatti di ricarica. Verificare la presenza di oggetti estranei sul connettore del robot ed eventualmente rimuoverli.
Il robot non riesce a connettersi al Wi-Fi.	La password della rete Wi-Fi non è corretta. Assicurarsi che la password utilizzata per la connessione alla rete Wi-Fi sia corretta. Il robot non supporta una connessione Wi-Fi a 5 GHz. Assicurarsi che il robot sia collegato a una connessione Wi-Fi a 2,4 GHz. Il segnale Wi-Fi è debole. Assicurarsi che il robot si trovi in un'area con una buona copertura Wi-Fi. Il robot potrebbe non essere pronto per essere configurato. Uscire e rientrare nell'app, quindi riprovare come indicato.
Il robot non riesce a trovare e a tornare alla stazione base.	La stazione base è scollegata dall'alimentazione o è stata spostata quando il robot non era su di essa. Ci sono troppi ostacoli intorno alla stazione base. Posizionare la stazione base in un'area più aperta. Lo spostamento del robot può provocare il suo riposizionamento e, se il riposizionamento non riesce, ricrea una mappa. Se il robot è troppo lontano dalla stazione base, potrebbe non essere in grado di tornare automaticamente da solo, nel qual caso sarà necessario posizionare manualmente il robot sulla stazione base. Pulire l'area di segnalazione della stazione base per rimuovere polvere o detriti.
Il robot si blocca davanti alla stazione di base e non può tornare indietro.	Eliminare qualsiasi ostacolo entro 5 cm sui lati destro e sinistro o entro 1,5 m davanti alla stazione base, per evitare che il robot venga bloccato. Il percorso di ritorno alla carica è bloccato, ad esempio la porta è chiusa. Il robot può scivolare se il pavimento davanti alla stazione base è troppo bagnato. In tal caso, pulire l'acqua in eccesso prima di riprovare. Si consiglia di spostare la stazione base in un altro luogo e riprovare. Assicurarsi che la piastra di estensione della rampa sia installata correttamente.

Risoluzione dei problemi

Problema	Soluzione
Il robot non si spegne.	Il robot non può essere spento quando è in carica. Si consiglia di spostare il robot dalla stazione base poi premere e tenere premuto il pulsante  per 3 secondi per spegnerlo. Se non è possibile spegnere il robot eseguendo il passo 1, premere e tenere premuto il pulsante  per 10 secondi per spegnere forzatamente il robot. Se il problema persiste, contattare il servizio post-vendita.
La velocità di ricarica è lenta.	La ricarica completa del robot richiede circa 3,5 ore quando la batteria è scarica. Se si utilizza il robot a temperature che non rientrano nell'intervallo specificato, la velocità di ricarica rallenterà automaticamente per prolungare la durata della batteria. I contatti di ricarica del robot e della base potrebbero essere sporchi, pulirli con un panno asciutto.
Il rumore aumenta durante il funzionamento del robot.	Controllare se il filtro della scatola della polvere è intasato. In tal caso, occorre pulirlo o sostituirlo. Un oggetto duro potrebbe essere rimasto incastrato nella spazzola principale o nella scatola della polvere. Controllare e rimuovere qualsiasi oggetto duro. La spazzola principale o la spazzola laterale potrebbero aggrovigliarsi. Controllare e rimuovere qualsiasi oggetto estraneo. Commutare la modalità di aspirazione su Standard o Silenzioso.
Il robot si muove senza seguire il percorso impostato.	Oggetti come cavi di alimentazione e pantofole devono essere rimossi prima di utilizzare il robot. Il lavoro su superfici bagnate e scivolose provoca lo slittamento della ruota principale. Si raccomanda di asciugare i punti bagnati prima di utilizzare il robot. Pulire i sensori laser di linea e il sensore visivo AI del robot con un panno morbido e pulito per mantenerli puliti e non ostruiti.
Il robot non trova le stanze da pulire.	Assicurarsi che le porte dei locali da pulire siano aperte. Verificare se la soglia della porta della stanza è più alta di 2 cm. Il robot non può superare soglie o gradini alti. Il luogo di fronte alla stanza da pulire potrebbe essere bagnato e scivoloso, causando lo scivolamento del robot e un funzionamento anomalo. Provare ad asciugare il pavimento prima di utilizzare il robot.

Risoluzione dei problemi

Problema	Soluzione
Il robot non riprenderà la pulizia dopo la ricarica.	Assicurarsi che il robot non sia impostato sulla modalità Non disturbare (DND), che gli impedirà di riprendere la pulizia. Il robot non riprenderà la pulizia dopo che il robot è stato riportato manualmente alla stazione base per essere ricaricato, il che significa posizionare manualmente il robot sulla stazione base o inviare il robot alla ricarica tramite l'app o il robot stesso.
La stazione non può svuotare automaticamente il contenitore della polvere.	Verificare se il sacchetto della polvere nel serbatoio della polvere è pieno. Se il sacchetto della polvere non è pieno, verificare se c'è un'ostruzione nelle bocchette di svuotamento automatico del robot, della stazione base o del contenitore della polvere. Se c'è, pulire subito la parte ostruita.
Il livello dell'acqua nel lavabo è anomalo.	Rimuovere il lavabo e controllare se lo scarico delle acque reflue è ostruito e pulirlo. Premere delicatamente sul serbatoio dell'acqua usata per verificare che sia installato correttamente. Controllare se la guarnizione del serbatoio dell'acqua usata è allentata o non è installata correttamente e, in tal caso, ripristinarla manualmente. Se il problema persiste, contattare il servizio post-vendita. Controllare la soluzione detergente. Non aggiungere alcun liquido diverso dalla soluzione detergente ufficialmente approvata.

Per ulteriore supporto, contattateci tramite <https://global.dreametech.com>

Specifiche tecniche

Robot

Modello	RLL82CE-2
Tempo di ricarica	Circa 3,5 ore
Tensione nominale	14,4 V $\overline{---}$
Potenza nominale	75W
Frequenza di funzionamento	2400-2483,5 MHz
Potenza di uscita massima	<20 dBm

In condizioni normali di utilizzo, questa apparecchiatura deve essere tenuta a una distanza di almeno 20 cm tra l'antenna e il corpo dell'utente.

Scatola	Manuale	Manuale	Pellicola	Pellicola	Borsa	Maniglia	Pellicola
PAP 20	PAP 21	PAP 22	PVC 3	PET 1	CPE 7	PE 4/PP 5	PP 5
Carta			Plastica				
RACCOLTA DIFFERENZIATA							
Verifica le disposizioni del tuo Comune. Separa le componenti e conferiscile in modo corretto.							

Stazione base

Modello	RCLE0301-2
Ingresso nominale	220-240 V \sim 50-60 Hz
Uscita nominale	20 V $\overline{---}$ 2 A
Potenza nominale (durante lo svuotamento della polvere)	1000 W
Potenza nominale (durante la pulizia)	40 W
Potenza nominale (durante la carica e l'asciugatura)	89 W

Nota: La potenza nominale (durante la carica e l'asciugatura) è determinata dal valore della potenza a pieno carico.

Smaltimento e rimozione della batteria

La batteria agli ioni di litio incorporata contiene sostanze pericolose per l'ambiente. Prima di smaltire la batteria, accertarsi che sia stata rimossa da parte di tecnici qualificati e smaltiti presso un impianto di riciclo appropriato.

- la batteria deve essere rimossa dall'apparecchio prima di essere rottamata;
- l'apparecchio deve essere scollegato dalla rete di alimentazione quando si rimuove la batteria;
- la batteria deve essere smaltita in modo sicuro.

ATTENZIONE:

Prima di rimuovere la batteria, scollegare l'alimentazione e scaricare il più possibile la batteria.

Le batterie non necessarie devono essere smaltite presso un impianto di riciclo appropriato.

Non esporre a temperature elevate per evitare rischi di esplosione.

In caso di condizioni difficili, è possibile che il liquido venga espulso dalla batteria. In caso di contatto, sciacquare con acqua e consultare un medico.

Guida alla rimozione:

1. Capovolgere il robot, utilizzare uno strumento appropriato per rimuovere le viti sul retro del robot, quindi rimuovere il coperchio.
2. Scollegare i terminali tra la batteria e la scheda PCB per rimuovere la batteria.

Informazioni sui RAEE



Tutti i prodotti contrassegnati da questo simbolo sono rifiuti di apparecchiature elettriche ed elettroniche (RAEE come da direttiva 2012/19/UE) che non devono essere mescolati con i rifiuti domestici indifferenziati. Per proteggere la salute umana e l'ambiente, invece, è necessario consegnare i rifiuti di apparecchiature a un punto di raccolta designato per il riciclaggio dei rifiuti di apparecchiature elettriche ed elettroniche, nominato dal governo o dalle autorità locali. Lo smaltimento e il riciclo corretti aiutano a prevenire potenziali conseguenze negative per l'ambiente e la salute umana. Per ulteriori informazioni sull'ubicazione e sui termini e le condizioni di tali punti di raccolta, contattare l'installatore o le autorità locali.

Para evitar descargas eléctricas, incendio o lesiones causados por el uso incorrecto del aparato, lea el manual de usuario detenidamente antes utilizar el aparato y guárdelo para su futura referencia.

- Restricciones de uso**
- Este producto no debe ser usado por niños de menos de 8 años ni personas con deficiencias físicas, sensoriales, intelectuales, o experiencia o conocimiento limitados sin la supervisión de un adulto o tutor para asegurar un uso seguro y evitar riesgos. La limpieza y el mantenimiento no deben ser realizados por niños sin supervisión.
 - El aparato únicamente se debe usar con la unidad de suministro de energía proporcionada con el aparato.
 - Este aparato cuenta con baterías que únicamente pueden ser sustituidas por personas cualificadas.
 - Despeje el área a limpiar. Los niños no deben jugar con el aparato. Asegúrese de que niños y mascotas se encuentren a una distancia segura del robot mientras esté en funcionamiento.
 - No instale, cargue o use el aparato en los baños o alrededor de las piscinas.
 - Este producto es únicamente para la limpieza de suelos en un entorno doméstico. No lo use en exteriores, en superficies que no sea el suelo, o en un establecimiento comercial o industrial.
 - Asegúrese de que el aparato funciona correctamente en un ambiente apropiado. De otro modo, no use el aparato.
 - Si el cable de alimentación está dañado, debe ser sustituido por un cable especial o conjunto suministrado por el fabricante o su agente de servicio.
 - No use el robot en un área suspendida por encima del nivel del suelo sin barrera protectora.

- Restricciones de uso**
- No coloque el robot boca abajo. No use la cubierta del LDS, la cubierta del robot o el paragolpes como asa para el robot.
 - No use el robot a una temperatura ambiente por encima de 40 °C o por debajo de 0 °C o sobre un suelo con líquidos o sustancias pegajosas.
 - Para evitar daños por arrastre, despeje los objetos sueltos del suelo y retire los cables o los cables de alimentación del camino de limpieza antes de poner en funcionamiento el aparato.
 - Retire artículos frágiles o pequeños del suelo para impedir que el robot choque con ellos y los dañe.
 - Mantenga el pelo, los dedos y otras partes del cuerpo lejos de la abertura de succión de los robots.
 - Mantenga la herramienta de limpieza fuera del alcance de los niños.
 - No utilice el aparato en una habitación en la que duerman bebés o niños.
 - No coloque niños, mascotas o algún artículo encima del robot, independientemente de si está parado o en movimiento.
 - Mantenga la solución de limpieza fuera del alcance de los niños.
 - Use únicamente el detergente aprobado oficialmente. No añada líquido tal como alcohol o desinfectante.
 - No use el robot para limpiar objetos ardiendo. No use el robot para recoger líquidos inflamables o combustibles, gases corrosivos, o ácidos o solventes sin diluir.

- Restricciones de uso**
- No aspire objetos duros o afilados. No use el aparato para recoger objetos tales como piedras, pedazos grandes de papel o algún artículo que pueda taponar el aparato.
 - Antes de limpiar o realizar el mantenimiento en el aparato, hay que retirar el enchufe de la toma de corriente.
 - No restriegue el robot o la estación base con un trapo mojado ni lo enjuague con líquido. Después de limpiar piezas lavables, seque totalmente las piezas antes de volver a instalarlas y utilizarlas.
 - Use este producto según las instrucciones del Manual de Usuario. Los usuarios son responsables de cualquier pérdida o daño que puedan producirse por un uso indebido de este producto.

Batería y carga

- No use baterías o estaciones base de terceros. El robot únicamente se puede usar con la estación base modelo RCLE0301-2.
- No intente usted mismo desensamblar, reparar o modificar la batería o la estación base.
- No coloque la estación base cerca de una fuente de calor.
- No use un trapo o las manos mojados para restregar o limpiar los contactos de carga de la estación base.
- No deseche incorrectamente las baterías antiguas. Las baterías no necesarias se deben desechar en instalaciones de reciclaje apropiadas.
- Si el cable de alimentación se daña o se rompe, deje de utilizarlo de inmediato y contacte con el servicio de posventa.

Batería y carga

- Asegúrese de que el robot esté apagado cuando vaya a ser transportado y manténgalo en su embalaje original si es posible.
- Si el robot no se va a usar un periodo de tiempo prolongado, cárguelo totalmente, apáguelo y almacénalo en un lugar fresco y seco. Recargue el robot al menos una vez cada 3 meses para evitar que la batería se descargue en exceso.

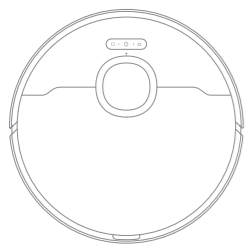
Información sobre seguridad láser

- El sensor láser de este producto cumple la Norma IEC 60825-1:2014/EN 60825-1:2014/A11:2021 para productos láser Clase 1. Cuando lo use, evite el contacto directo con los ojos.

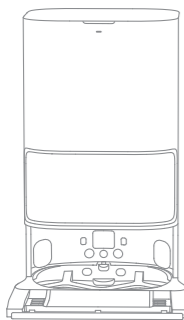
PRODUCTO LÁSER CLASE 1
 PRODUCTO LÁSER DE CONSUMO
 EN 50689:2021

Por el presente, Dreame Trading (Tianjin) Co., Ltd. declara que el equipo de radio tipo RLL82CE-2 cumple la Directiva 2014/53/UE. El texto completo de la declaración de conformidad de la UE está disponible en la siguiente dirección de Internet: <https://global.dreametech.com>
 Para un manual electrónico detallado, vaya a la dirección <https://global.dreametech.com/pages/user-manuals-and-faqs>

Contenido del paquete



Robot

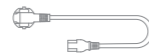


Estación base

Otros accesorios



Cepillo lateral



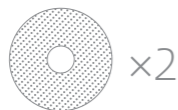
Cable de alimentación



Placa de extensión de
rampa de la estación base



Manual de Usuario



Mopa
(preinstalada)



Soporte de mopa



Bolsa de polvo
(1 preinstalada)

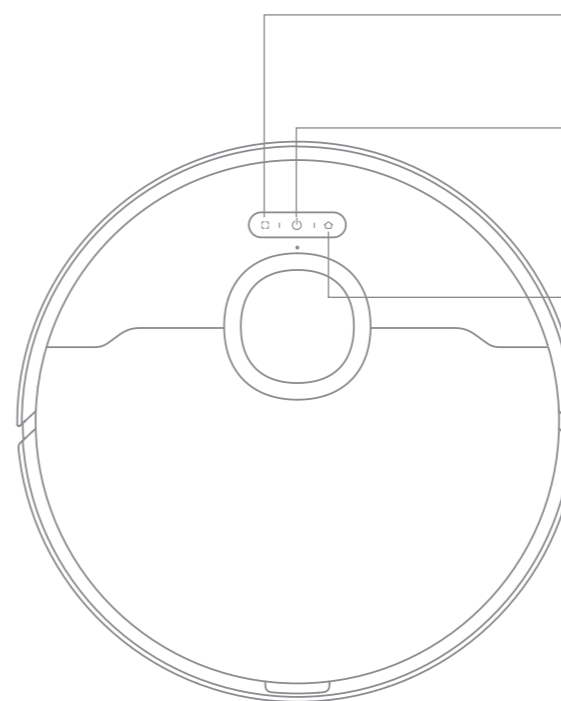


Limpieza
Solución



Herramienta de
limpieza

Robot



Botón de limpieza localizada
· Presione para empezar la limpieza localizada

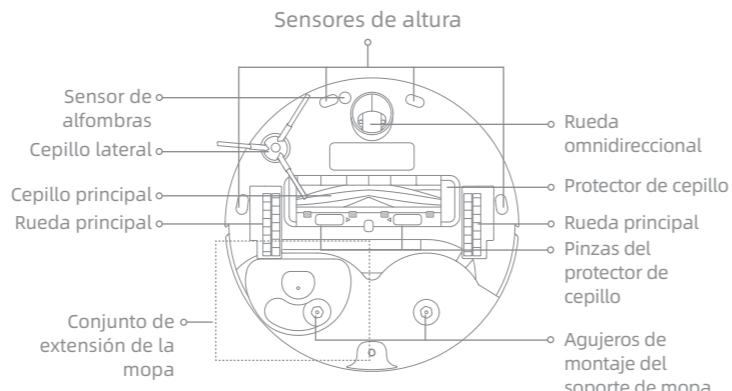
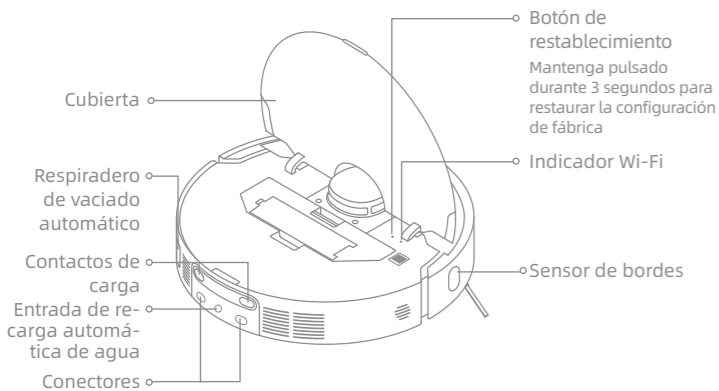
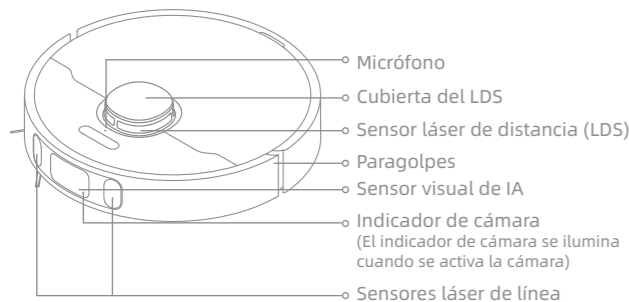
Botón de encendido/limpieza
· Mantenga pulsado durante 3 segundos para encender o apagar
· Pulse para empezar a limpiar después de encender el robot

Botón de atraque
· Pulse para enviar el robot de regreso a la estación base
· Mantenga pulsado durante 3 segundos para desactivar el bloqueo infantil

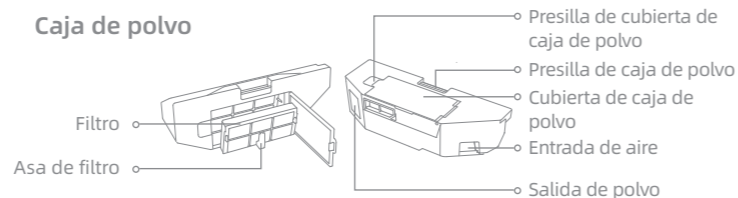
Indicador de estado
· Blanco fijo: Limpieza completada
· Parpadeo en naranja: Error
· Naranja fijo: En espera con poca batería o pausado con poca batería

Nota:
· Pulse cualquier botón en el robot para pausar mientras el robot está limpiando o volviendo para cargar.
· El bloqueo infantil se puede activar o desactivar mediante la aplicación Dreamehome.

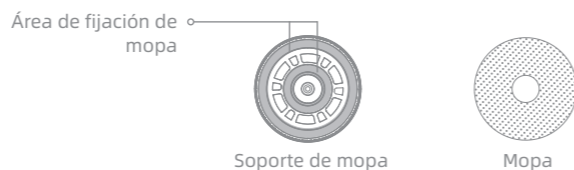
Robot y sensores



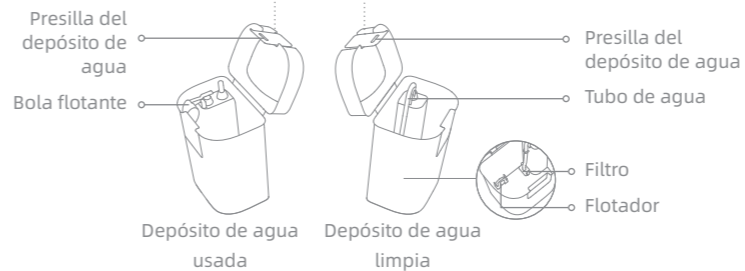
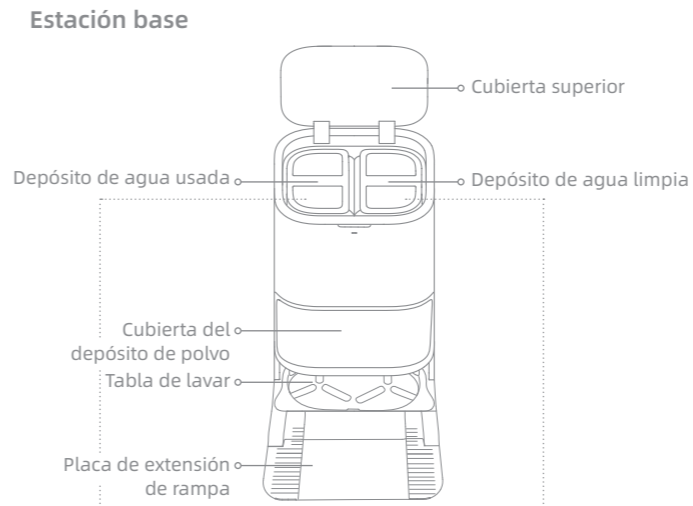
Caja de polvo



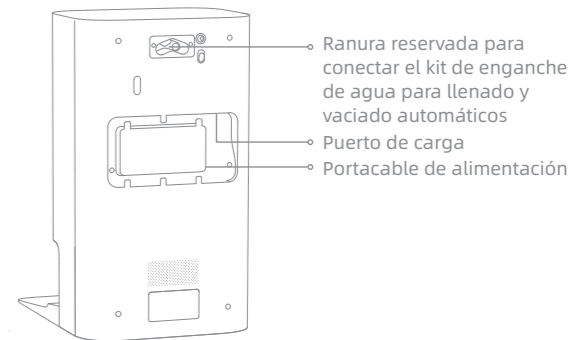
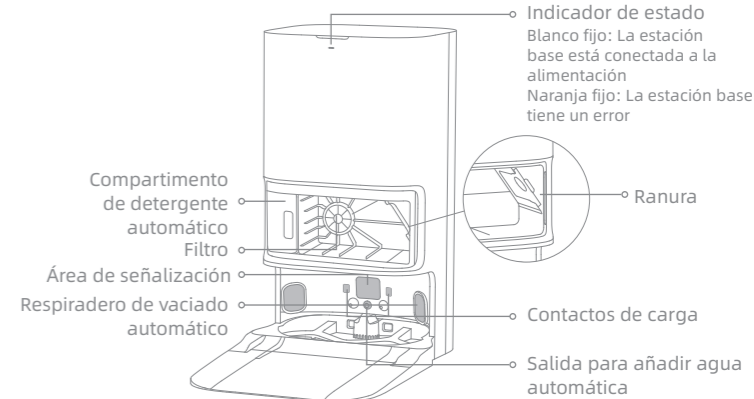
Conjunto de mopa



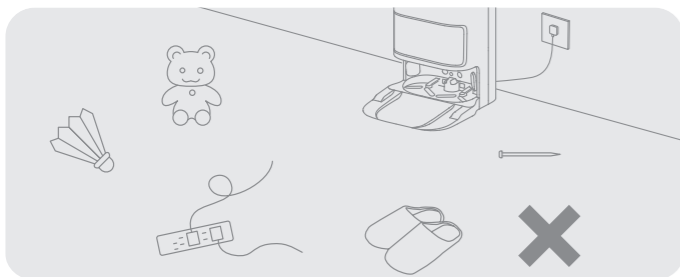
Estación base



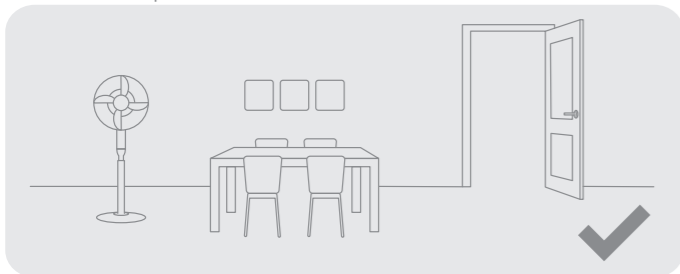
Nota: El kit de enganche de agua para llenado y vaciado automáticos se tiene que comprar por separado. (Únicamente disponible en regiones específicas)



Preparando su hogar



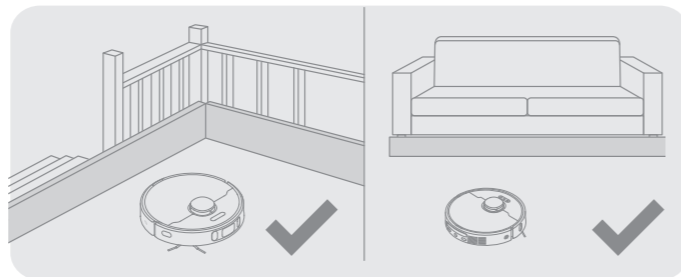
Antes de limpiar, retire los artículos inestables, frágiles, valiosos o peligrosos, y recoja los cables, la ropa, los juguetes y los objetos afilados y rígidos del suelo para evitar que se enreden, se arañen o se golpeen con el robot causando pérdidas.



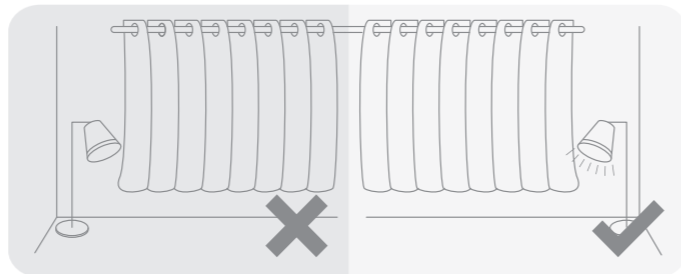
Abra la puerta de la habitación que va a limpiar y coloque los muebles en el lugar apropiado para hacer más espacio.

Nota:

- Cuando utilice el robot por primera vez, sígalo mientras realiza limpieza para quitar de inmediato cualquier obstáculo potencial.
- Para evitar que el robot no reconozca áreas que se tienen que limpiar, no permanezca de pie delante del robot, en el umbral, el pasillo o lugares estrechos.
- No aspire objetos duros como piedras, bolas de acero ni piezas de juguetes, u objetos afilados como residuos de construcción, cristales rotos y clavos, de lo contrario el suelo podría rayarse.



Antes de empezar a limpiar, utilice la barrera física en el borde de las escaleras y el sofá para garantizar un funcionamiento seguro y fluido del robot.



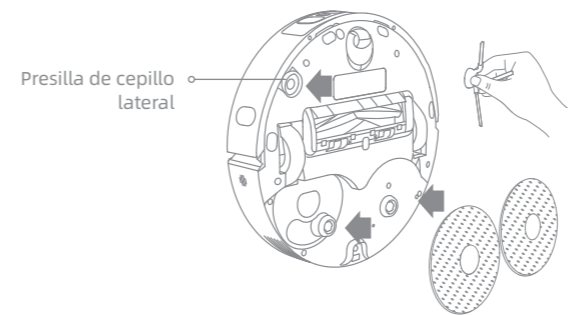
Con el sensor visual de IA, el robot puede reconocer mejor los obstáculos y evitarlos tales como cables de alimentación, zapatos y calcetines, para obtener lo mejor del sensor visual de IA, asegúrese de que todas las áreas a limpiar estén bien iluminadas.

Antes de usar

1. Retirar las protecciones



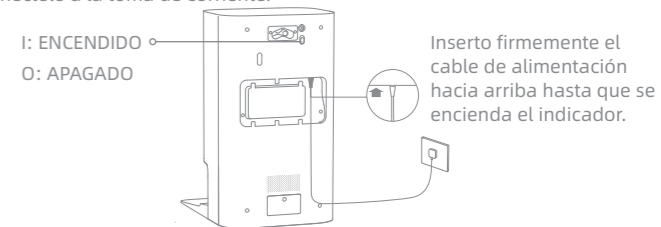
2. Instale el cepillo lateral y el conjunto de mopa.



Nota: Instale el cepillo lateral hasta que encaje en su sitio.

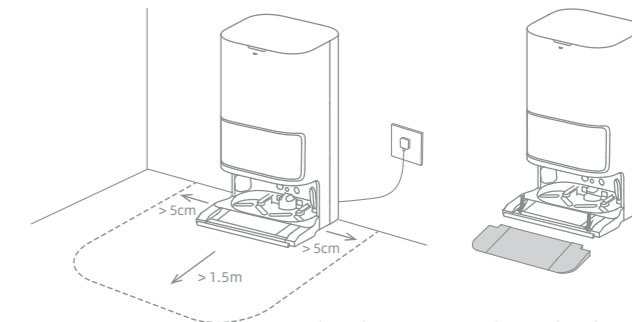
3. Conecte a una toma eléctrica

Coloque la estación base en un lugar lo más abierto posible con una buena señal Wi-Fi. Luego inserte el cable de alimentación en la estación base y conéctelo a la toma de corriente.



4. Coloque la estación base e instale la placa de extensión de rampa de la estación base


Coloque la estación base y retire los objetos a menos de 1,5 m de la parte delantera y 5 cm a cada lado de la estación base. Luego instale la placa de extensión de rampa hasta la estación base.

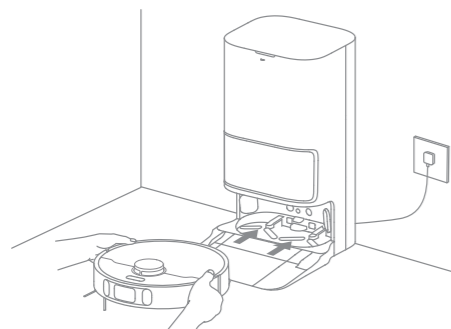


Nota: Para prevenir que las manchas de agua mojen los suelos de madera o las alfombras, se recomienda colocar la estación base sobre suelos de baldosas o mármol.

Antes de usar

5. Coloque el robot

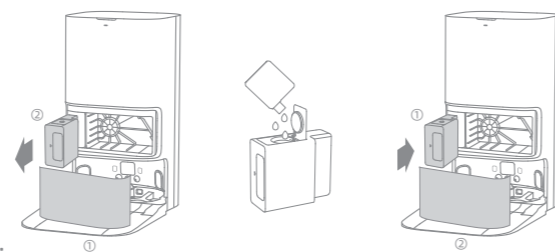
Mantenga pulsado el botón  en el robot durante 3 segundos para encenderlo. Coloque el robot sobre la estación base con el conjunto de mopa mirando hacia la tabla de lavado. Se oirá una notificación por voz cuando el robot se conecte con éxito a la estación base. Después de cargar totalmente el robot, los indicadores de estado en el robot y la estación base permanecerán iluminados durante 10 minutos y luego se atenuarán.



Nota: Se recomienda cargar totalmente el robot antes de utilizarlo. Cuando el robot no se puede encender después de agotarse la batería, conecte manualmente el robot a la estación base para cargarlo.

6. Añadir la solución de limpieza

- (1) Retire la cubierta del depósito de polvo y saque el compartimento de detergente automático.
- (2) Abra la tapa superior del compartimento y añada la solución de limpieza.
- (3) Cierre la tapa del compartimento, colóquelo de nuevo en la estación base y luego vuelva a montar la cubierta del depósito de polvo. La solución de limpieza se añadirá automáticamente en el depósito de agua limpia durante el trabajo.

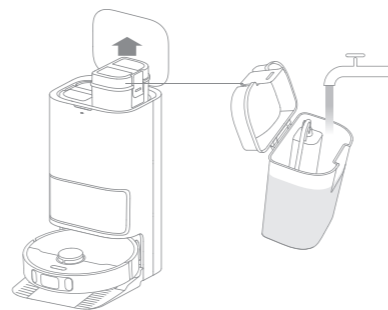


Nota:

- Para evitar un mal funcionamiento, no añada un líquido distinto a la solución de limpieza aprobada oficialmente.
- Instale el compartimento de detergente automático hasta que encaje en su sitio.

7. Añada agua al depósito de agua limpia

Saque el depósito de agua limpia de la estación base y llénelo con agua limpia. Luego instálelo de nuevo en la estación base.

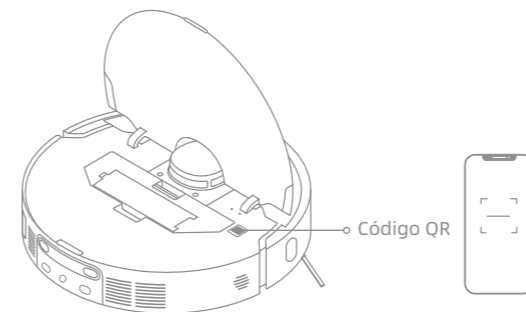


Nota: No llene el depósito de agua con agua caliente, esto podría provocar que el depósito se deforme.

Conexión con la app Dreamehome

1. Descargue la app Dreamehome

Escanee el código QR del robot, o busque "Dreamehome" en la App Store para descargarla e instalarla.



Nota:

- Únicamente es compatible con Wi-Fi de 2,4 GHz.
- Debido a actualizaciones del software de la app, el funcionamiento real puede diferir de las indicaciones que hay en este manual. Siga las instrucciones en función de la versión actual de la app.

2. Añada un dispositivo

Abra la app Dreamehome, toque en "+" en la esquina superior derecha y escanee de nuevo el mismo código QR en el robot para añadir el dispositivo. Siga las indicaciones para finalizar la conexión Wi-Fi.





Nota: Si desea restablecer el Wi-Fi, repita el paso 2 y luego siga las indicaciones para finalizar la conexión Wi-Fi.

Modo de uso

Mapeo rápido

Después de configurar la red por primera vez, siga las instrucciones de la aplicación para crear rápidamente un mapa y el robot comenzará a mapear sin limpiar. El proceso de mapeo se completará cuando el robot vuelva a la estación, y el mapa se guardará automáticamente.

Encender/apagar

Mantenga pulsado el botón  durante 3 segundos para encender el robot. El indicador de alimentación se debe iluminar. Coloque el robot sobre la base, el robot se debe encender automáticamente y empezar a cargar. Para apagar el robot, aleje el robot de la base estación y mantenga pulsado el botón  durante 3 segundos.

Pausa / Reposo

Cuando el robot esté funcionando, presione cualquier botón para pausarlo.

Si el robot está pausado más de 10 minutos, entra automáticamente en modo de reposo. El indicador de alimentación y el indicador de carga se apagarán. Para despertar el robot, pulse cualquier botón del robot o la estación base, o use la app.

Nota:

- El robot se apagará automáticamente si se mantiene en modo de reposo durante más de 12 horas.
- Si el robot se detiene y se coloca en la estación base, se termina el proceso de limpieza actual.

Reanudación automática de la limpieza

Si las baterías tienen muy poca carga, el robot vuelve automáticamente a la estación base para cargar. Después de llegar a la carga apropiada de la batería, retomará las tareas de limpieza no finalizadas.

Nota: Para usar esta función, ábrala en la app.


Modo no molestar (DND)

Cuando el robot se pone en el modo No Molestar (DND), se impide que el robot retome la limpieza y el indicador de alimentación se apaga. El modo DND está inhabilitado de manera predeterminada en la fábrica. Se puede usar la app para habilitar el modo DND o modificar el periodo DND. El periodo DND es 22:00-8:00 de manera predeterminada.



Nota:

- Las tareas de limpieza programadas se realizarán durante el periodo DND.
- Cuando termine el periodo DND, el robot reanudará la limpieza donde la dejó.

Limpieza localizada

Cuando el robot está en espera, pulse brevemente el botón  para habilitar el modo de limpieza localizada. En este modo, el robot limpia una área de forma cuadrada de 1,5 x 1,5 metros a su alrededor y vuelve a su punto de partida una vez que se completa la limpieza localizada.

Reinicio del robot


Si el robot deja de responder o no se puede apagar, mantenga pulsado el botón  durante 10 segundos para forzar el apagado. A continuación, mantenga pulsado el botón  durante 3 segundos para encender el robot.

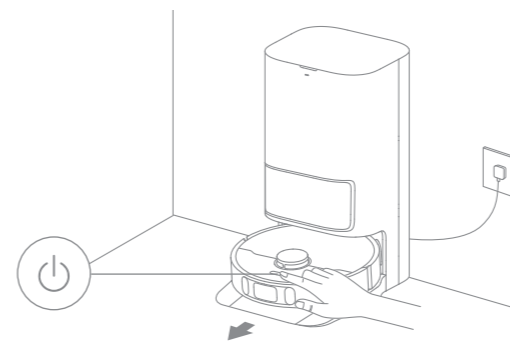
Modo de uso

Aspirar y pasar la mopa

Nota: Cuando se usa el conjunto de mopa por primera vez, el robot realiza la tarea de "Aspirar y pasar la mopa" de manera predeterminada.

1. Empezar a limpiar

Mantenga pulsado el botón  en el robot o use la app para hacer que el robot empiece desde la estación base. Luego el robot planificará la ruta de limpieza óptima y realizará la tarea de limpieza en función del mapa creado.

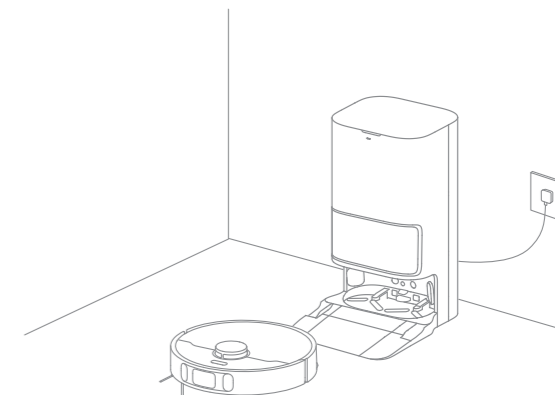


Nota:

- Las mopas se limpiarán antes de que el robot comience a pasar la mopa, espere con paciencia.
- No mueva la estación base, el depósito de agua limpia, el depósito de agua usada ni la tabla de lavar durante su funcionamiento.

2. Lavado automático de la mopa

Cuando está limpiando, el robot vuelve automáticamente a la estación base para lavar las mopas en función de la frecuencia de limpieza de mopa especificada en la app. La estación base recargará automáticamente el depósito de agua del robot y este retomará la limpieza.

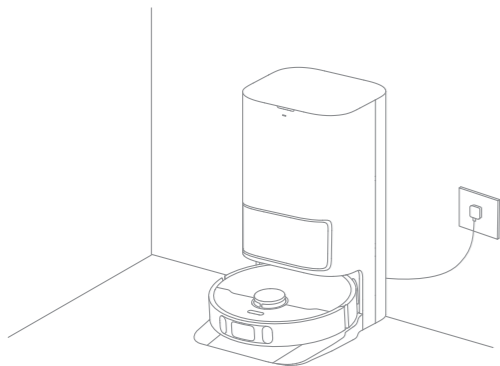


Nota: Si el robot vuelve a la estación base para lavar sus mopas durante la limpieza, la estación base vaciará automáticamente la caja de polvo.

Modo de uso

3. Vaciado automático de la caja de polvo y lavado y secado de mopas al acabar la tarea de "Aspirar y pasar la mopa"

Cuando el robot finaliza una tarea de limpieza y vuelve a la estación base para cargar, la estación base empezará a vaciar automáticamente la caja de polvo y luego limpia y seca las mopas.



Nota:

- Si la función de vaciado automático está desactivada en la app, la estación base no vaciará automáticamente la caja de polvo.
- La estación base vaciará la caja de polvo según la frecuencia establecida en la app.

4. Limpieza del depósito de agua usada

Cuando el robot haya completado su tarea, limpie el depósito de agua usada para evitar olores.

Aspirar y luego pasar la mopa

En la app, seleccione "Aspirar y luego pasar la mopa", y el robot elevará automáticamente el conjunto de mopa para aspirar el suelo. Después de aspirar, el robot regresa para vaciar la caja de polvo y luego empieza a pasar la mopa automáticamente bajando el conjunto de mopa.

Solo aspirar

En la app, seleccione "Solo aspirar", y el robot elevará automáticamente el conjunto de mopa y empezará a aspirar.

Solo mopa

En la app, seleccione "Solo mopa", y el robot comprobará si el conjunto de mopa está instalado. Si no es así, instale manualmente el conjunto de mopa, y luego el robot subirá automáticamente el cepillo principal y empezará a pasar la mopa.

Mantenimiento rutinario

Piezas

Para mantener el robot en buenas condiciones, se recomienda consultar el uso de accesorios en la app o en la siguiente tabla de mantenimiento rutinario.

Pieza	Frecuencia de mantenimiento	Frecuencia de sustitución
Depósito de agua usada	Después de cada uso	/
Depósito de agua limpia	Una vez cada 2 semanas	/
Cepillo principal		Cada 6 a 12 meses
Filtro de la caja de polvo		Cada 3 a 6 meses
Cepillo lateral	Una vez al mes	/
Tabla de lavar		
Área de señalización de la estación base		
Contactos de carga de la estación base		
Respiradero de vaciado automático de la estación base		
Rueda omnidireccional		
Sensor de bordes		
Sensor láser de distancia (LDS)		
Sensor láser de línea		

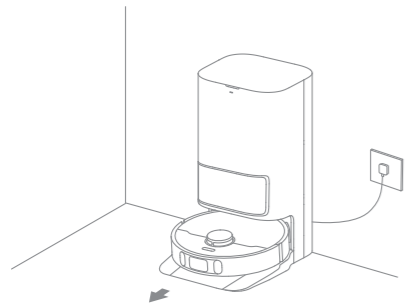
Pieza	Frecuencia de mantenimiento	Frecuencia de sustitución
Sensor visual de IA	Una vez al mes	/
Sensor de alfombras		
Sensores de altura		
Contactos de carga del robot		
Paragolpes		
Respiradero de vaciado automático del robot		
Entrada de recarga automática de agua del robot		
Parte inferior del robot	Limpie cuando sea necesario	/
Caja de polvo		
Bolsa de polvo	/	6-8 semanas
Mopa		Cada 1 a 3 meses

Nota: La frecuencia de sustitución dependerá del uso que se haga del robot. Si ocurre una excepción debido a circunstancias especiales, las piezas deben ser sustituidas.

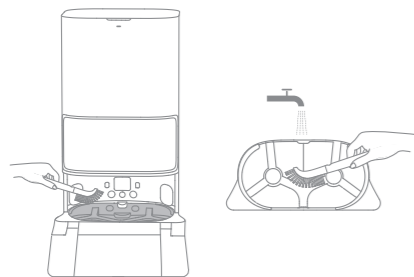
Mantenimiento rutinario

Limpeza de la estación base

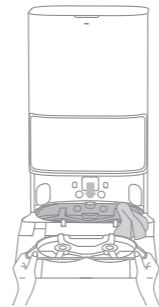
1. Seleccione "Limpeza de la estación base" en la app y el robot saldrá automáticamente de la estación base. Saque la tabla de lavar y espere a que el fondo de la estación base se llene de agua.




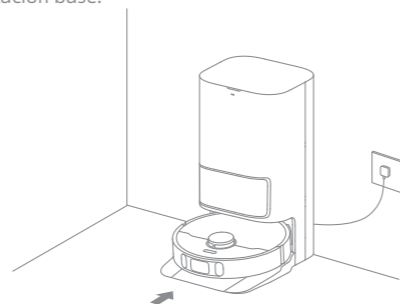
2. Enjuague la tabla de lavar con agua limpia y use la herramienta de limpieza para limpiar el fondo de la estación base.



3. Al cabo de un momento, la estación base bombea automáticamente el agua usada. Luego séquela con un paño suave y seco y coloque la tabla de lavar en su sitio.



4. Use la app o pulse brevemente el botón  en el robot para hacer que vuelva a la estación base.

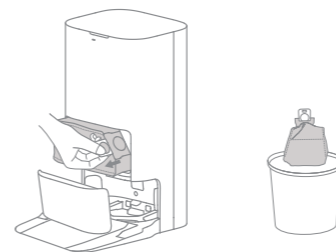


Nota: Durante la limpieza, no haga que el robot vuelva a la estación base.

Mantenimiento rutinario

Bolsa de polvo

1. Deseche la bolsa de polvo.

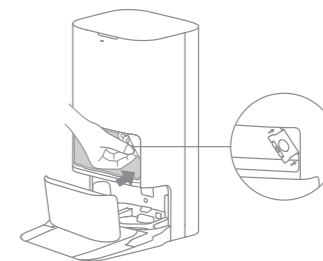


Nota: Tirar del tirador hacia arriba sellará la bolsa para evitar que caigan polvo y restos accidentalmente.

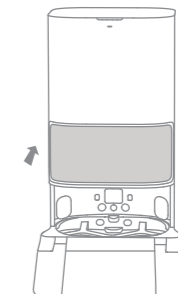
2. Quite el polvo y la suciedad del filtro con un paño seco.



3. Instale una nueva bolsa de polvo.



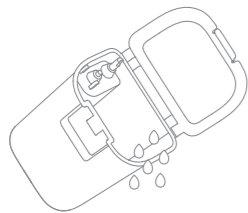
4. Cierre la cubierta del depósito de polvo.



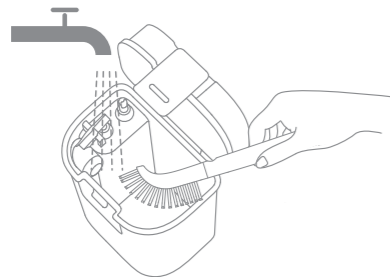
Mantenimiento rutinario

Depósito de agua usada

1. Retire el depósito de agua usada, abra su tapa y vierta el agua usada.



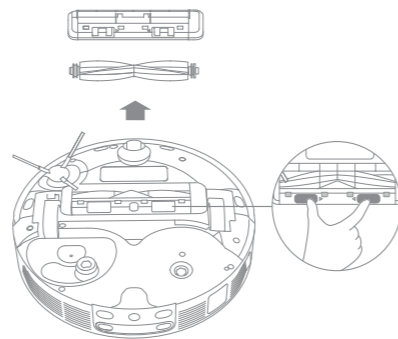
2. Enjuague el depósito de agua usada con agua limpia, y use la herramienta de limpieza proporcionada para limpiar la pared interior del depósito de agua usada.



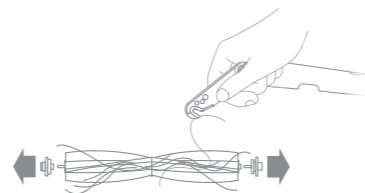
Nota: La bola flotante en el depósito de agua usada es una pieza móvil. No aplique demasiada fuerza al limpiarla para evitar dañarla.

Cepillo principal

1. Presione las presillas del protector de cepillo hacia dentro para quitar el protector de cepillo y sacar el cepillo del robot.



2. Extraiga las cubiertas de cepillo en ambos extremos del cepillo como se muestra en la figura. Use la herramienta de limpieza proporcionada para retirar los pelos enredados en el cepillo.



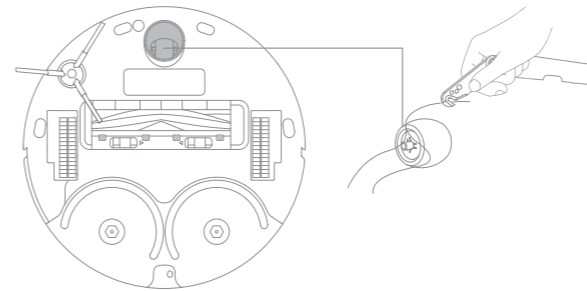
Mantenimiento rutinario

Cepillo lateral

Retire y limpie el cepillo lateral.



Rueda omnidireccional

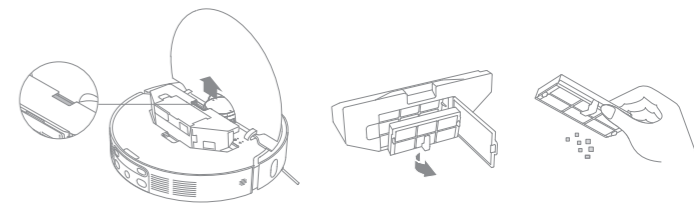


Nota:

- Use una herramienta como un pequeño destornillador para separar el eje y el neumático de la rueda omnidireccional. No ejerza excesiva fuerza.
- Enjuague la rueda omnidireccional con agua corriente y vuelva a ponerla después de secarla completamente.

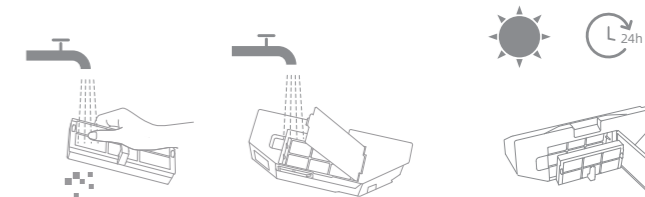
Caja de polvo y filtro

1. Abra la cubierta del robot y presione la presilla del recipiente para retirar la caja de polvo. Luego retire el filtro y golpee suavemente su canasta.



Nota: No intente limpiar el filtro con un cepillo, los dedos u objetos afilados para evitar daños.

2. Enjuague la caja de polvo y el filtro con agua y séquelos completamente antes de reinstalar.



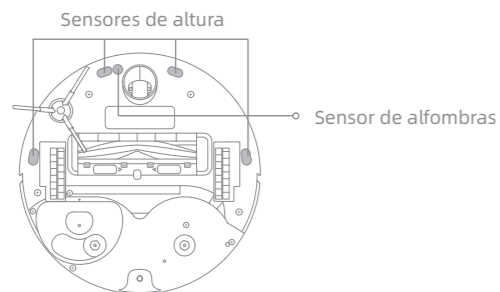
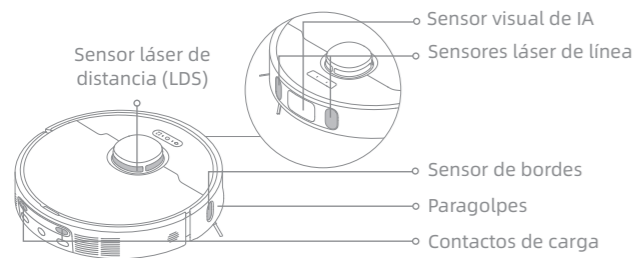
Nota:

- Enjuague la caja de polvo y el filtro con agua únicamente. No utilice detergente.
- Use la caja de polvo y el filtro únicamente cuando estén completamente secos.

Mantenimiento rutinario

Sensores de robot y contactos de carga

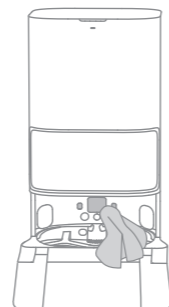
Restriegue los sensores y los contactos de carga del robot usando un trapo suave y seco, como se muestra en la siguiente figura:



Nota: Un paño húmedo puede dañar los elementos sensibles dentro del robot y la estación base. Utilice un paño seco para la limpieza.

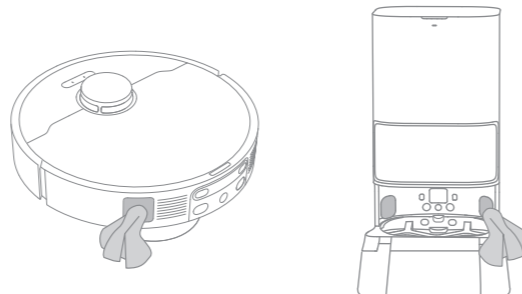
Contactos de carga

Limpie los contactos de carga y el área de señalización de la estación base con un paño suave y seco.



Respiraderos de vaciado automático

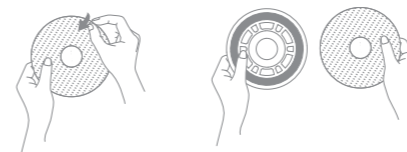
Limpie los respiraderos de vaciado automático del robot y la estación base con un paño suave y seco.



Mantenimiento rutinario

Mopa

Retire la mopa del soporte de mopa para sustituirla.





Batería

El robot cuenta con una batería de iones de litio de alto rendimiento. Asegúrese de que la batería permanezca bien cargada para el uso diario a fin de mantener un rendimiento óptimo.

Resolución de Problemas

Problema	Solución
El robot no se encenderá.	La batería tiene poca carga. Recargue el robot en la base de carga y pruebe de nuevo. La temperatura de la batería está demasiado baja o demasiado alta. Se recomienda que el aparato funcione a una temperatura entre 32 °F (0 °C) y 104 °F (40 °C).
El robot no se carga	La estación base no está conectada a la fuente de alimentación, asegúrese de que ambos extremos del cable de alimentación estén enchufados correctamente. El nivel de contacto entre los contactos de carga de la estación base y el robot es deficiente, por favor limpie los contactos de carga. Verifique si hay algún objeto extraño en el conector del robot y, si lo hay, elimínelo.
El robot no puede conectarse a la red Wi-Fi.	La contraseña de la red Wi-Fi es incorrecta. Asegúrese de que la contraseña utilizada para conectarse a su red Wi-Fi sea correcta. El robot no admite una conexión Wi-Fi de 5GHz. Asegúrese de que el robot esté conectado a una conexión Wi-Fi de 2,4 GHz. La señal de Wi-Fi es débil. Asegúrese de que el robot esté en un área con buena cobertura Wi-Fi. Es posible que el robot no esté listo para configurarse. Salga de la aplicación y vuelva a entrar, luego inténtelo de nuevo según las instrucciones.
El robot no puede encontrar y regresar a la estación base.	La estación base está desconectada de la alimentación o se ha movido cuando el robot no estaba en ella. Hay demasiadas obstrucciones alrededor de la estación base. Coloque la estación base en un área más abierta. Mover el robot puede hacer que se repositone, y volverá a crear un mapa si el reposicionamiento falla. Si el robot está demasiado lejos de la estación base, es posible que no pueda regresar automáticamente por sí solo, en cuyo caso deberá colocar manualmente el robot en la estación base. Limpie el área de señalización de la estación base para eliminar el polvo o la suciedad.
El robot se atasca por delante de la estación base y no puede volver a ella.	Limpie cualquier obstrucción a menos de 5 cm de los lados izquierdo y derecho o menos de 1,5 m delante de la estación base para evitar que el robot quede bloqueado. La ruta de regreso para cargar está bloqueada, por ejemplo la puerta está cerrada. El robot puede resbalarse si el suelo frente a la estación base está demasiado mojado. Si es así, elimine el exceso de agua antes de volver a intentarlo. Se recomienda mover la estación base a un lugar diferente y volver a intentarlo. Asegúrese de que la placa de extensión de rampa esté instalada correctamente.

Resolución de Problemas

Problema	Solución
El robot no se apaga.	El robot no se puede apagar cuando está cargando. Se recomienda mover el robot fuera de la estación base y mantener pulsador el botón  durante 3 segundos para apagarlo. Si el robot no se puede apagar con el paso 1, mantenga pulsado el botón  durante 10 segundos para forzar el apagado del robot. Si el problema persiste, contacte con el servicio posventa.
La velocidad de carga es lenta.	Se necesitan aproximadamente 3,5 horas para cargar completamente el robot cuando la batería tiene poca carga. Si utiliza el robot a temperaturas fuera del intervalo especificado, la velocidad de carga disminuirá automáticamente para extender la vida útil de la batería. Los contactos de carga del robot y la base pueden estar sucios, límpielos con un paño seco.
El ruido aumenta mientras el robot está en funcionamiento.	Compruebe si el filtro de la caja de polvo está taponado. Si es así, límpielo o sustitúyalo. Un objeto duro puede quedar atrapado en el cepillo principal o en la caja de polvo. Compruébelo y retire cualquier objeto duro. El cepillo principal o el cepillo lateral pueden estar enredados. Compruébelo y retire objetos extraños. Cambie el modo de succión a Estándar o Silencio.
El robot se mueve sin seguir la ruta establecida.	Los objetos como cables de alimentación y pantuflas se deben mantener ordenados antes de usar el robot. Trabajar en superficies resbaladizas provoca que la rueda principal resbale. Se recomienda secar los lugares mojados antes de usar el robot. Estregue los sensores láser y el sensor visual de IA del robot con un paño suave y limpio para mantenerlos limpios y desobstruidos.
El robot omite las habitaciones que deben limpiarse.	Asegúrese de que las puertas de las habitaciones a limpiar estén abiertas. Compruebe si hay un umbral superior a 2 cm en la puerta de la habitación. El robot no puede atravesar umbrales o escalones altos. El lugar delante de la sala a limpiar puede estar mojado y resbaladizo, haciendo que el robot resbale y trabaje anormalmente. Seque el suelo antes de usar el robot.

Resolución de Problemas

Problema	Solución
El robot no reanuda la limpieza después de la carga.	Asegúrese de que el robot no esté en modo No Molestar (DND), lo que prohibirá que reanude la limpieza. El robot no reanuda la limpieza después de devolverlo manualmente a la estación base para cargar, incluso si se coloca manualmente el robot en la estación base o se envía el robot a cargar por medio de la app o el propio robot.
La estación no puede vaciar automáticamente la caja de polvo.	Compruebe si la bolsa de polvo en el depósito está llena. Si la bolsa de polvo no está llena, compruebe si hay obstrucción en los respiraderos de vaciado automático del robot, la estación base o la caja de polvo. Si es así, limpie a tiempo la parte bloqueada.
El nivel de agua en la tabla de lavar es anormal.	Quite la tabla de lavar y compruebe si la salida de aguas residuales está bloqueada y límpiela. Presione suavemente el depósito de agua usada para asegurarse de que esté instalado correctamente. Compruebe si la junta del depósito de agua usada está floja o no está instalada correctamente y, en caso afirmativo, reajústela manualmente. Si el problema persiste, contacte con el equipo de servicio posventa. Compruebe la botella de solución de limpieza. No añada líquido distinto a la solución de limpieza aprobada oficialmente.

Para obtener más ayuda, contacte con nosotros en <https://global.dreametech.com>

Especificaciones

Robot

Modelo	RLL82CE-2
Tiempo de carga	Aprox. 3,5 horas
Tensión nominal	14,4 V ===
Potencia nominal	75 W
Frecuencia de operación	2400-2483,5 MHz
Potencia máxima de salida	<20 dBm

En condiciones normales de uso, este equipo debe mantenerse a una distancia de, al menos, 20 cm entre la antena y el cuerpo del usuario.

Estación base

Modelo	RCLE0301-2
Entrada nominal	220-240 V ~ 50-60 Hz
Salida nominal	20 V === 2 A
Potencia nominal (durante el vaciado de polvo)	1000 W
Potencia nominal (durante la limpieza)	40 W
Potencia nominal (durante la carga y el secado)	89 W

Nota: La potencia nominal (durante la carga y el secado) se determina por el valor de potencia durante un periodo de carga completa.

Eliminación y retirada de la batería

La batería de iones de litio integrada contiene sustancias que son peligrosas para el medio ambiente. Antes de desechar la batería, asegúrese de que sea retirada por un técnico cualificado y desechada en un centro de reciclaje apropiado.

- Se debe retirar la batería del aparato antes de tirarlo;
- el aparato debe desconectarse del suministro eléctrico cuando se retire la batería;
- asegúrese de desechar la batería de forma segura.

PRECAUCIÓN:

Antes de retirar la batería, desconecte la alimentación y agote la batería al máximo.

Las baterías no necesarias se deben desechar en instalaciones de reciclaje apropiadas.

No la exponga a ambiente de alta temperatura para evitar riesgos de explosión.

En condiciones abusivas, el líquido puede ser expulsado de la batería. Si ocurre un contacto, enjuague con agua y busque ayuda médica.

Guía de retirada:

1. Voltee el robot, use una herramienta apropiada para retirar los tornillos de la parte posterior del robot, y luego retire la cubierta.
2. Desenchufe los terminales entre la batería y la placa PCB para retirar la batería.

Información WEEE



Todos los productos que llevan este símbolo son basura de equipos eléctricos y electrónicos (WEEE según la directiva 2012/19/UE) que no deben mezclarse con basura doméstica sin clasificar. En cambio, debe proteger la salud humana y el medio ambiente entregando el residuo de equipos a un punto de recogida designado para el reciclaje de basura de equipos eléctricos y electrónicos, nombrado por el gobierno o las autoridades locales. Una correcta eliminación y reciclaje ayudarán a impedir potenciales consecuencias negativas al medio ambiente y la salud humana. Contacte con el instalador o las autoridades locales para más información acerca de la ubicación así como términos y condiciones de tales puntos de recogida.

Информация по технике безопасности

Во избежание поражения электрическим током, возгорания или травм, вызванных неправильным использованием прибора, внимательно прочтите руководство пользователя до начала использования прибора и сохраните это руководство для будущего использования.

Ограничения по эксплуатации

- В целях обеспечения безопасной эксплуатации и во избежание рисков не допускается использование данного изделия детьми младше 8 лет, а также лицами с ограниченными физическими, сенсорными или умственными способностями или с ограниченным опытом или знаниями без присмотра родителя или опекуна. Не позволяйте детям осуществлять чистку и техническое обслуживание устройства без присмотра.
- Устройство должно использоваться только с блоком питания, поставляемым в комплекте.
- Данное устройство оснащено аккумулятором, который должны заменять только квалифицированные технические специалисты.
- Уберите посторонние предметы из зоны для уборки. Не позволяйте детям играть с устройством. Убедитесь, что дети и животные находятся на безопасном расстоянии от устройства во время работы.
- Запрещается устанавливать, заряжать и использовать устройство в ванной комнате и вблизи бассейнов.
- Данное устройство предназначено только для очистки пола в домашних условиях. Не используйте его на открытом воздухе, на поверхностях, отличных от пола, а также в коммерческих или промышленных помещениях.
- Убедитесь, что в надлежащей обстановке устройство работает корректно. В противном случае не используйте его.

Информация по технике безопасности

Ограничения по эксплуатации

- Если кабель питания поврежден, замените его специальным кабелем или комплектом, приобретенным у производителя или в соответствующем сервисном центре.
- Не используйте робота в областях, расположенных над полом, без защитного барьера.
- Запрещается переворачивать робота. Запрещается переносить робота держа его за крышку лидара, крышку самого робота или бампер.
- Не используйте робота при температуре окружающей среды выше 40 °C или ниже 0 °C, а также на поверхности с жидкостями или липкими веществами.
- Во избежание повреждения или нарушения работы устройства из-за волочения предметов, перед его включением соберите все посторонние предметы с пола и уберите провода и кабели питания с пути движения устройства во время уборки.
- Уберите с пола хрупкие и мелкие предметы, чтобы робот не врезался в них и не повредил.
- Не допускайте попадания волос, пальцев и других частей тела во всасывающее отверстие робота.
- Храните инструменты для очистки в недоступном для детей месте.
- Запрещается использовать устройство в комнате со спящим младенцем или ребенком.
- Не размещайте на роботе детей, животных или какие-либо предметы, независимо от того, остановлен он или движется.
- Храните чистящий раствор в недоступном для детей месте.
- Используйте только чистящие средства, одобренные к применению. Запрещается добавлять алкоголь или дезинфицирующее средство.
- Не используйте робота для уборки горящих веществ. Запрещается использовать робота для уборки воспламеняющихся или горючих жидкостей, агрессивных газов, неразбавленных кислот или растворителей.

Информация по технике безопасности

Ограничения по эксплуатации

- Не используйте робота для уборки твердых и острых предметов. Запрещается использовать робота для уборки камней, крупных кусков бумаги и других предметов, которые могут застрять в устройстве.
- Перед очисткой и ремонтом выключите устройство и отключите его от розетки.
- Запрещается протирать робота и базовую станцию влажным полотенцем или промывать жидкостью. После очистки моющихся деталей их необходимо полностью просушить перед повторной установкой и использованием.
- Используйте данное устройство согласно руководству пользователя. За убытки и ущерб, возникшие из-за несоблюдения инструкций, ответственность несет пользователь.

Аккумуляторы и зарядка

- Запрещается использовать аккумулятор или базовую станцию других производителей. Устройство необходимо использовать только с базовой станцией модели RCLE0301-2.
- Запрещается самостоятельно разбирать, ремонтировать или модифицировать аккумулятор или базовую станцию.
- Запрещается размещать базовую станцию рядом с источником тепла.
- Запрещается протирать или очищать зарядные контакты базовой станции влажным полотенцем или влажными руками.
- Запрещается утилизировать старые аккумуляторы ненадлежащим образом. Неиспользуемые аккумуляторы следует сдавать в соответствующие пункты переработки.
- Если кабель питания поврежден или сломан, немедленно прекратите использование устройства и обратитесь в службу послепродажного обслуживания.

Информация по технике безопасности

Аккумуляторы и зарядка

- Перед транспортировкой убедитесь, что робот выключен, и по возможности храните его в оригинальной упаковке.
- Если робот не будет использоваться в течение длительного периода, полностью зарядите его, отключите и храните в сухом прохладном месте. Во избежание чрезмерной разрядки аккумулятора заряжайте робота не реже одного раза каждые три месяца.

Техника безопасности при использовании лазера

- Лазерный датчик в этом изделии соответствует стандарту IEC 60825-1:2014/EN 60825-1:2014/A11:2021 для лазерных изделий класса 1. Избегайте прямого контакта с глазами во время использования такого устройства.

ЛАЗЕРНОЕ ИЗДЕЛИЕ КЛАССА 1
ПОТРЕБИТЕЛЬСКОЕ ЛАЗЕРНОЕ ИЗДЕЛИЕ
EN 50689:2021

Информация по технике безопасности

Меры предосторожности при хранении и транспортировке

- Продукт должен транспортироваться в упаковке. Не подвергайте продукт давлению или ударам во время транспортировки.
- Пожалуйста, избегайте сильных столкновений во время транспортировки.
- Не транспортируйте прибор при температуре выше 50 °C или ниже -20 °C.
- В течение короткого периода, например одного месяца, прибор рекомендуется хранить при температуре от -20 °C до 50 °C и относительной влажности 60 % ± 5 %. В течение длительного времени храните прибор при температуре окружающей среды от 0 °C до 40 °C.
- Утилизируйте прибор надлежащим образом. Когда его срок службы подойдет к концу, утилизируйте прибор в соответствии с местными законами и правилами страны или региона, в котором он используется.

Правила и условия реализации: без ограничений.

Импортер продает этот продукт; информацию об импортере см. на упаковке.

Сведения об импортере и контактная информация отдела послепродажного обслуживания указаны на упаковке.

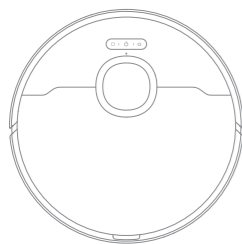
Дата изготовления: см. на упаковке

Срок службы продукции 3 года.

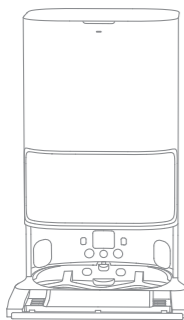
Настоящим компания Dreame Trading (Tianjin) Co., Ltd. заявляет, что тип радиооборудования RLL82CE-2 соответствует требованиям Директивы 2014/53/EU. Полный текст декларации о соответствии нормативным требованиям ЕС доступен по следующему адресу: <https://global.dreametech.com>

Подробное электронное руководство см. по адресу <https://global.dreametech.com/pages/user-manuals-and-faqs>

Комплектация



Робот



Базовая станция

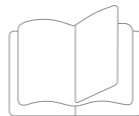
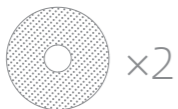
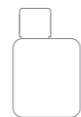
Другие принадлежности



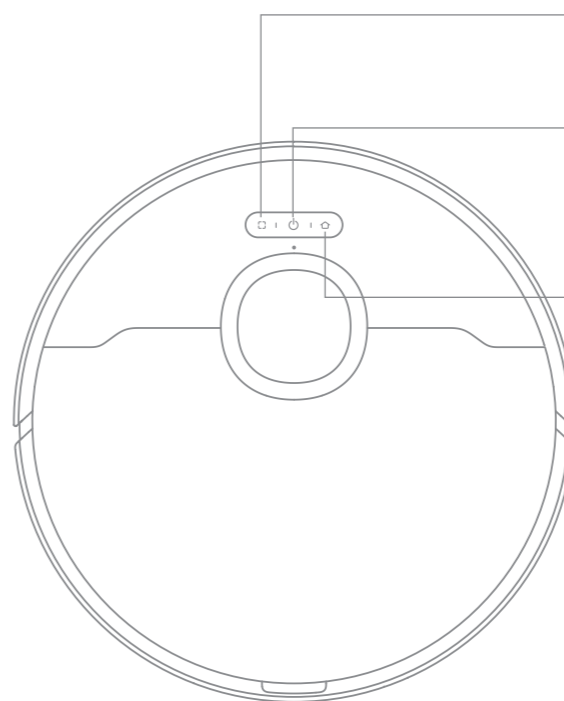
Боковая щетка



Кабель питания

Рампа базовой станции
Удлинительная пластинаРуководство
пользователяНасадка для швабры
(предустановлена)Держатель насадки
для швабрыМешок для сбора пыли
(1 шт., заранее
установлен)Чистящий
растворИнструмент для
чистки

Робот



- Кнопка точечной уборки**
- Нажмите кнопку, чтобы начать точечную уборку

- Кнопка питания/уборки**
- Нажмите и удерживайте кнопку в течение 3 секунд, чтобы включить или выключить робота
- Нажмите, чтобы начать уборку, когда робот включен

- Кнопка возврата на станцию**
- Нажмите кнопку, чтобы отправить робота на базовую станцию
- Нажмите и удерживайте кнопку в течение 3 секунд, чтобы выключить блокировку от детей

Индикатор состояния

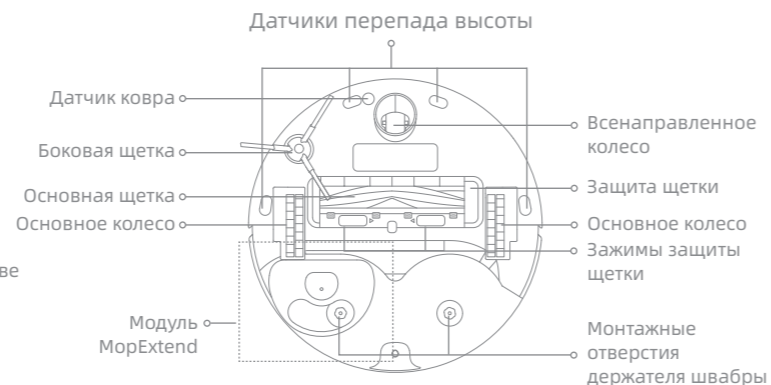
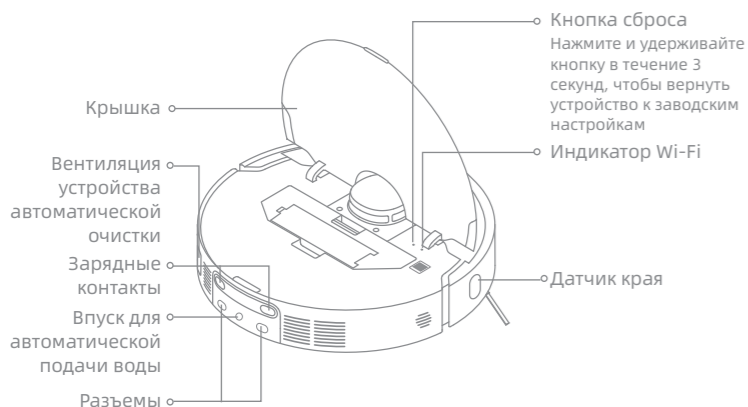
- Постоянно горит белым: Уборка продолжается или уборка завершена
- Мигает оранжевым: ошибка
- Постоянно горит оранжевым: режим ожидания при низком заряде аккумулятора или приостановка при низком заряде аккумулятора

Примечание.

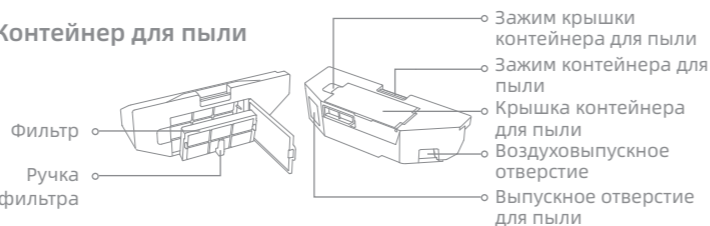
- Нажмите любую кнопку на роботе, чтобы поставить процесс на паузу, пока робот выполняет уборку или возвращается для зарядки.
- Блокировку от детей можно включить и выключить с помощью приложения Dreamehome.

Обзор изделия

Робот и датчики



Контейнер для пыли

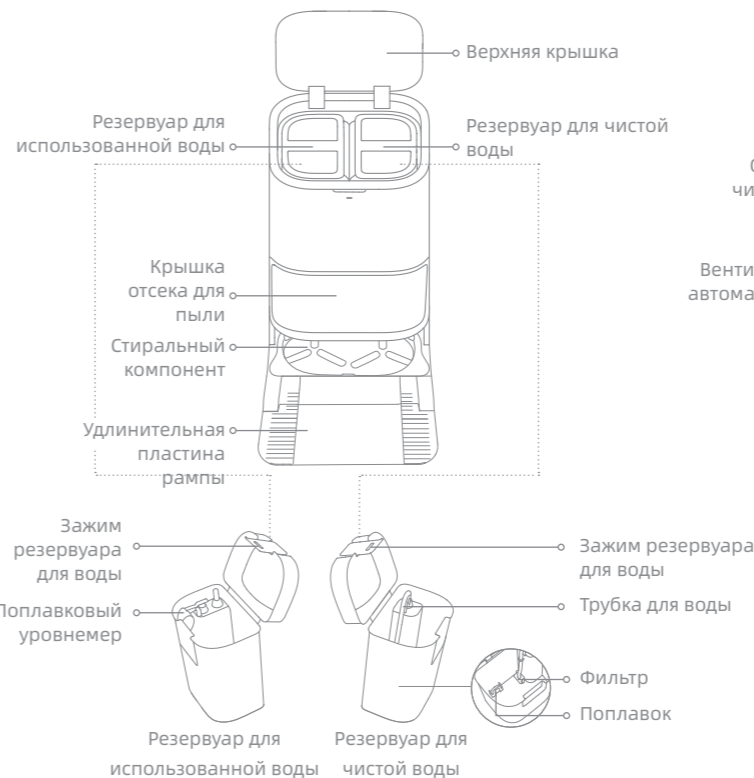


Швабра

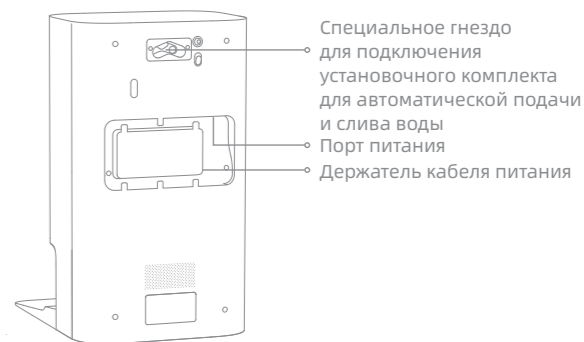
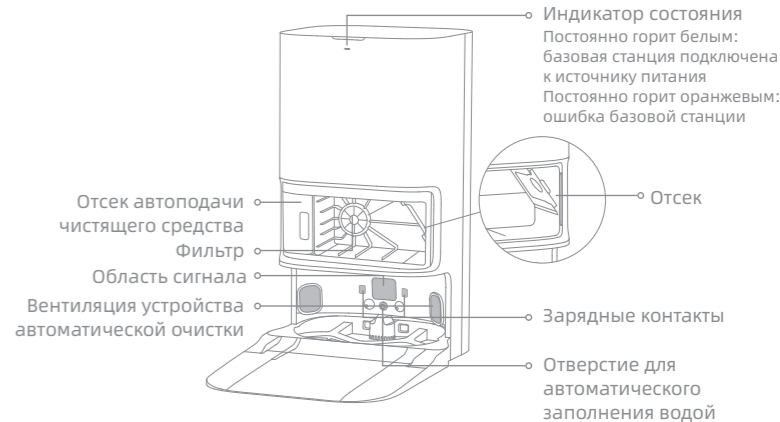


Обзор изделия

Базовая станция



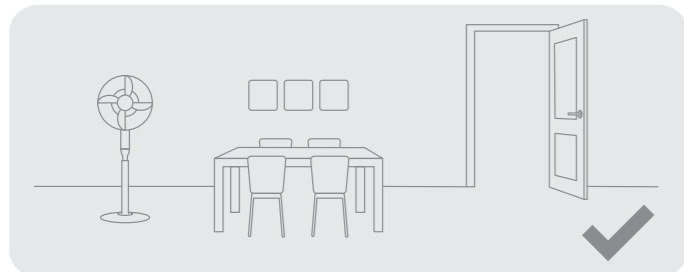
Примечание. Установочный комплект для автоматической подачи и слива воды необходимо приобретать отдельно. (Доступен только в некоторых регионах).



Подготовка дома



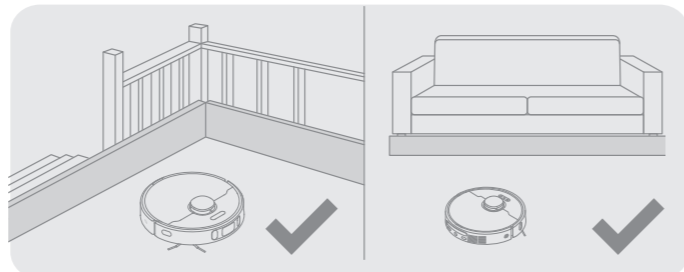
Перед началом уборки уберите с пола неустойчивые, хрупкие, ценные или опасные предметы, а также кабели, одежду, игрушки, твердые и острые предметы, чтобы робот не запутался в них, не поцарапал/не опрокинул и не повредил такие предметы.



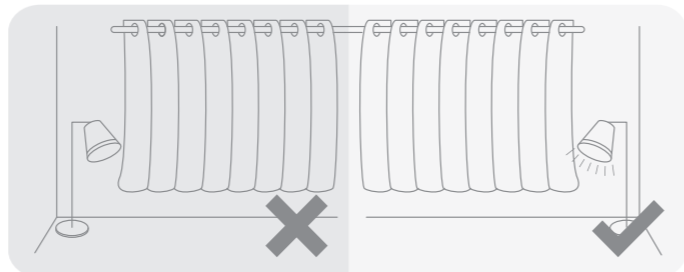
Откройте дверь помещения, в котором будет проводиться уборка, и расставьте мебель таким образом, чтобы освободить больше пространства для уборки.

Примечание.

- При первом использовании робота находитеесь в зоне уборки, чтобы вовремя убирать посторонние предметы с его пути.
- Не вставайте перед роботом, в дверном проеме или узком проходе, чтобы робот мог корректно распознать зону предстоящей уборки.
- Не допускайте засасывания пылесосом твердых предметов, таких как камни, стальные шарики и детали игрушек, а также острых предметов, таких как строительный мусор, битое стекло и гвозди. При несоблюдении данного требования на полу могут остаться царапины.



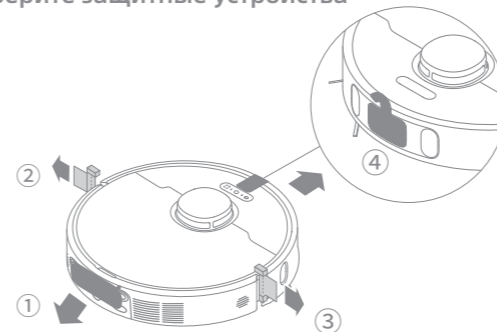
Перед уборкой установите физические барьеры у основания лестницы и рядом с диваном, чтобы обеспечить безопасность и бесперебойность работы пылесоса.



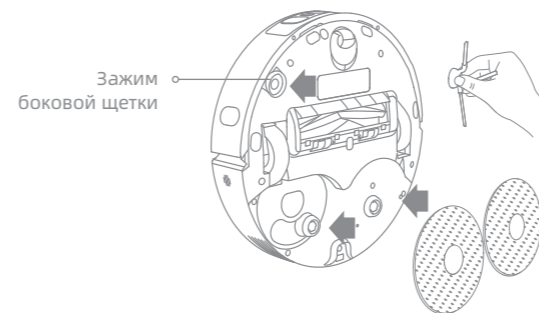
Благодаря визуальному датчику на основе искусственного интеллекта робот может более эффективно распознавать и избегать препятствия, такие как кабели питания, обувь и носки. Для гарантии наилучшей работы датчика убедитесь, что все зоны уборки хорошо освещены.

Перед использованием

1. Уберите защитные устройства



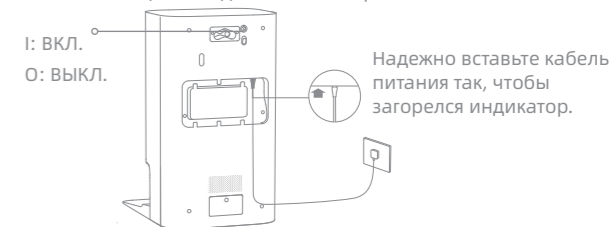
2. Установите боковую щетку и швабру



Примечание. Установите боковую щетку так, чтобы раздался щелчок.

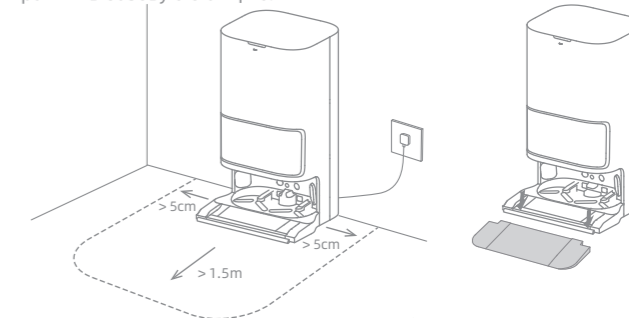
3. Подключите устройство к розетке

Расположите базовую станцию на максимально открытой поверхности в месте со стабильным сигналом Wi-Fi. Затем подсоедините кабель питания к базовой станции и подключите его к розетке.



4. Разместите базовую станцию в подходящем месте и установите удлинительную пластину ramпы базовой станции.

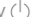
Разместите базовую станцию и удалите все объекты, находящиеся на расстоянии менее 1,5 м от передней части и 5 см от каждой боковой стороны базовой станции. Затем установите удлинительную пластину ramпы в базовую станцию.

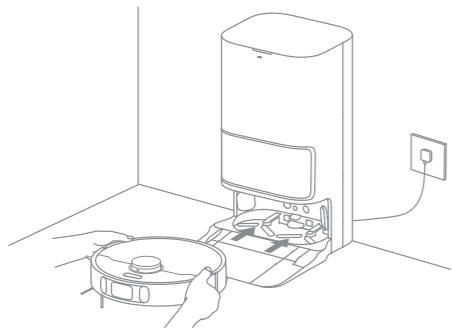


Примечание. Рекомендуется размещать базовую станцию на кафельном или мраморном полу, так как деревянный пол и ковры могут намочнуть от пятен воды.

Перед использованием

5. Разместите робота

Нажмите и удерживайте кнопку  на роботе в течение 3 секунд, чтобы включить его. Разместите робота на базовой станции так, чтобы швабра была повернута в направлении стирального компонента. Когда робот подключится к базовой станции, вы услышите голосовое уведомление. После полной зарядки робота индикаторы состояния устройства и базовой станции будут гореть 10 минут, после чего погаснут.



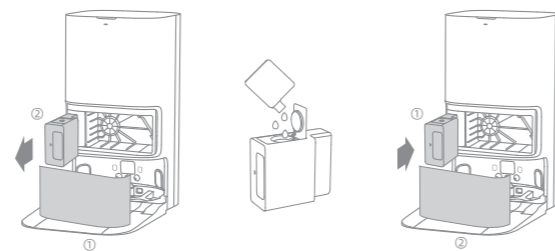
Примечание. Рекомендуется полностью зарядить робота перед первым использованием. Если робот не включается после полной зарядки аккумулятора, вручную подключите робота к станции для зарядки.

6. Добавьте чистящий раствор

(1) Снимите крышку отсека для пыли и выньте отсек автоподдачи чистящего средства.

(2) Откройте верхнюю крышку отсека и добавьте чистящий раствор.

(3) Закройте крышку отсека, установите ее обратно в базовую станцию, а затем установите на место крышку отсека для пыли. Чистящий раствор будет добавляться в резервуар для чистой воды автоматически во время работы.

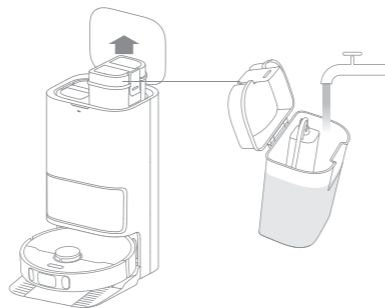


Примечание.

- Во избежание неисправностей запрещается добавлять какие-либо другие чистящие средства помимо одобренного чистящего раствора.
- Установите отсек автоподдачи чистящего средства так, чтобы раздался щелчок.

7. Заполните резервуар для чистой воды

Выньте резервуар для чистой воды из базовой станции и добавьте в него воду. Затем установите его обратно в базовую станцию.

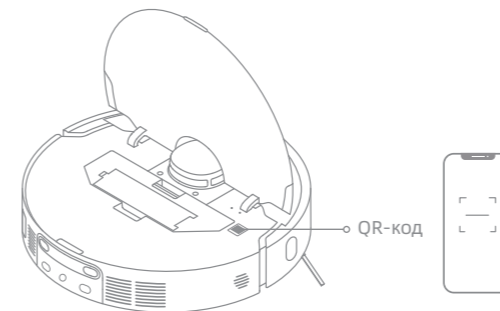


Примечание. Во избежание деформации резервуара для чистой воды, запрещается заливать в него горячую воду.

Подключение к устройству с помощью приложения Dreamehome

1. Загрузка приложения Dreamehome

Отсканируйте QR-код, размещенный на роботе, или введите «Dreamehome» в поисковой строке магазина приложений, чтобы загрузить и установить приложение.



Примечание.

- Функция беспроводной сети поддерживает только Wi-Fi с частотой 2,4 ГГц.
- Приложение регулярно обновляется. Фактические действия могут отличаться от указанных в данном руководстве. Следуйте инструкциям, опираясь на текущую версию приложения.

2. Добавление устройства

Откройте приложение Dreamehome, нажмите «+» в правом верхнем углу экрана и снова отсканируйте тот же QR-код на роботе, чтобы добавить устройство. Для завершения подключения к Wi-Fi следуйте подсказкам.



- Индикатор Wi-Fi
- Медленно мигает: ожидает подключения
- Быстро мигает: выполняется подключение
- Оп (Вкл.): подключение выполнено



Примечание. Если вы хотите сбросить настройки Wi-Fi, повторите шаг 2, а затем следуйте инструкциям, чтобы завершить подключение Wi-Fi.

Использование

Быстрое построение карты

После первой настройки сети следуйте инструкциям в приложении по созданию карты. Робот начнет двигаться, не проводя уборку, чтобы построить общую карту. Построение карты будет завершено после того, как робот вернется на базовую станцию. Карта будет сохранена автоматически.

Включение/выключение

Чтобы включить робота, нажмите и удерживайте кнопку  в течение 3 секунд. Индикатор питания должен загореться. Поместите робота на базу: робот должен автоматически включиться и начать процесс зарядки. Для выключения робота снимите его с базовой станции, после чего нажмите и удерживайте кнопку  в течение 3 секунд.

Пауза/спящий режим

Во время работы устройства нажмите на любую кнопку, чтобы приостановить процесс уборки.

Через 10 минут после приостановки робот автоматически перейдет в спящий режим. При этом индикаторы включения и зарядки погаснут. Для выхода из спящего режима нажмите любую кнопку на роботе или воспользуйтесь приложением.

Примечание.

- При нахождении в спящем режиме более 12 часов робот автоматически выключится.
- После приостановки и возврата робота на базовую станцию текущий процесс уборки будет завершен.

Автоматическое возобновление уборки

Если заряд батареи слишком низкий, робот автоматически вернется на базовую станцию для зарядки. После зарядки аккумулятора до соответствующего уровня робот возобновит выполнение незавершенных задач по уборке.

Примечание. Для использования данной функции откройте ее в приложении.


Режим «Не беспокоить»

В режиме «Не беспокоить» робот не сможет возобновить уборку, а индикатор питания погаснет. В заводских настройках режим «Не беспокоить» выключен по умолчанию. Включить режим «Не беспокоить» и изменить его длительность можно в приложении. По умолчанию для режима «Не беспокоить» настроен период времени с 22:00 до 8:00.



Примечание.

- Уборка по расписанию при включенном режиме «Не беспокоить» будет выполняться своевременно.
- Робот возобновит уборку в месте остановки после выхода из режима «Не беспокоить».

Точечная уборка

Чтобы включить режим точечной уборки, нажмите кнопку , когда робот находится в режиме ожидания. В этом режиме робот выполнит уборку квадратного участка 1,5 x 1,5 метра вокруг себя и затем вернется в место начала.

Перезагрузка робота


Если робот не реагирует на команды или не выключается, нажмите и удерживайте кнопку  в течение 10 секунд для принудительного его выключения. Затем нажмите и удерживайте кнопку  в течение 3 секунд, чтобы включить робота.

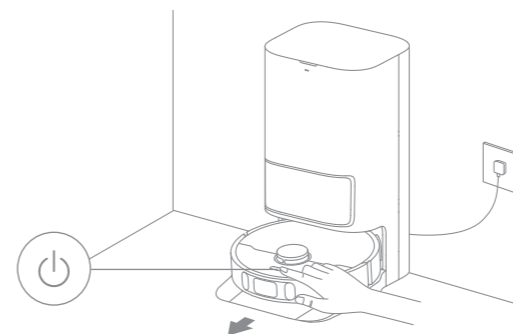
Использование

Сухая и влажная уборка

Примечание. При первом использовании швабры робот по умолчанию выполнит задачу «Vacuum and Mop» («Сухая и влажная уборка»).

1. Начало уборки

Чтобы запустить робота из базовой станции, нажмите кнопку  на роботе или воспользуйтесь приложением. Робот построит оптимальный маршрут уборки и выполнит задачу по уборке согласно созданной карте.

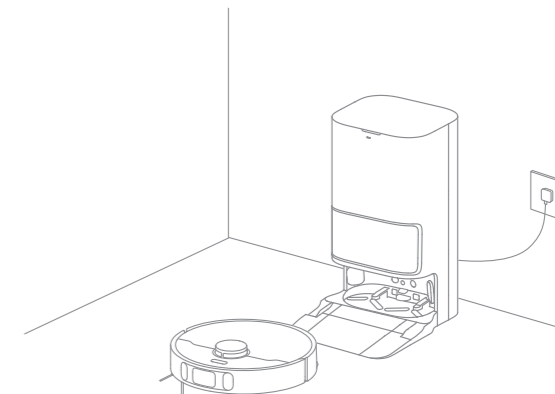


Примечание.

- Перед началом влажной уборки насадка для швабры пройдет процесс очистки. Дождитесь завершения очистки.
- Во время работы запрещается перемещать базовую станцию, резервуар для чистой воды, резервуар для использованной воды или стиральный компонент.

2. Автоматическая промывка насадки для швабры

Во время уборки робот будет автоматически возвращаться на базовую станцию для промывки насадки для швабры в соответствии с настройками в приложении. Базовая станция автоматически наполнит резервуар робота водой, и робот возобновит уборку.

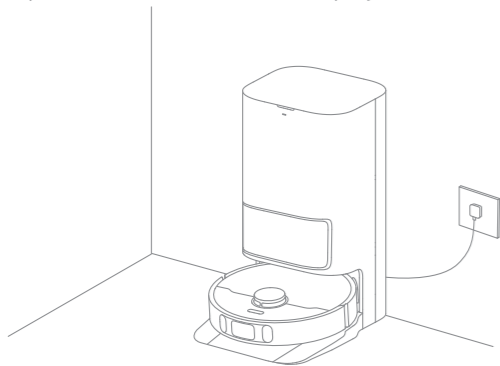


Примечание. При возвращении робота на базовую станцию для очистки насадки для швабры во время уборки, базовая станция не будет автоматически удалять содержимое контейнера для пыли.

Использование

3. После завершения задачи «Vacuum and Mop» («Сухая и влажная уборка») выполняется самоочистка контейнера для пыли, а также мойка и сушка насадки для швабры.

После того как робот завершит уборку и вернется на базовую станцию для подзарядки, базовая станция автоматически удалит содержимое контейнера для пыли, а затем очистит и просушит насадки для швабры.



Примечание.

- Если функция автоматической очистки выключена в приложении, базовая станция не будет автоматически удалять содержимое контейнера для пыли.
- Базовая станция будет удалять содержимое контейнера для пыли в соответствии с настройками в приложении.

4. Очистка резервуара для использованной воды

Во избежание появления неприятного запаха очистите резервуар для использованной воды, после того как робот завершит задачу.

Сухая, а затем влажная уборка

Выберите «Vacuum then Mop» («Сухая, а затем влажная уборка») в приложении, и робот автоматически поднимет швабру и пропылесосит пол. После завершения сухой уборки робот вернется, чтобы опорожнить контейнер для пыли, а затем опустит швабру и начнет мыть пол.

Только сухая уборка

Выберите «Vacuum Only» («Только сухая уборка») в приложении и робот автоматически поднимет швабру и начнет пылесосить пол.

Только влажная уборка

Выберите «Mop Only» («Только влажная уборка») в приложении и робот проверит, установлена ли швабра. Если ее нет, установите швабру вручную, после чего робот автоматически начнет мыть пол.

Плановое обслуживание

Компоненты

Для обеспечения надлежащей работы устройства рекомендуется выполнять его плановое обслуживание в соответствии с разделом «Использование принадлежностей» в приложении или с таблицей ниже.

Компонент	Частота обслуживания	Частота замены
Резервуар для использованной воды	После каждого использования	/
Резервуар для чистой воды	Раз в две недели	
Основная щетка		Каждые 6-12 месяцев
Фильтр контейнера для пыли		Каждые 3-6 месяцев
Боковая щетка		
Стиральный компонент	Раз в месяц	/
Область сигнала базовой станции		
Зарядные контакты базовой станции		
Вентиляция устройства автоматической очистки базовой станции		
Всенаправленное колесо		
Датчик края		
Лидар		
Линейный лазерный датчик		

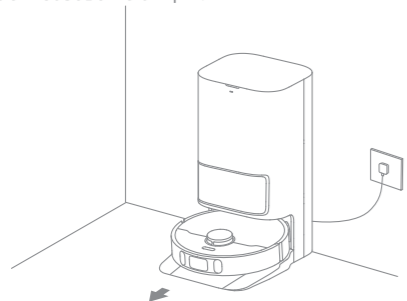
Компонент	Частота обслуживания	Частота замены
Визуальный датчик на основе искусственного интеллекта	Раз в месяц	/
Датчик ковра		
Датчики перепада высоты		
Зарядные контакты робота		
Бампер		
Вентиляция устройства автоматической очистки робота		
Отверстие для автоматического заполнения водой робота	По мере необходимости	
Нижняя часть робота		
Контейнер для пыли		
Мешок для сбора пыли	/	Каждые 6-8 недель
Насадка для швабры		Каждые 1-3 месяца

Примечание. Частота замены зависит от способа использования робота. При возникновении исключительных обстоятельств следует выполнить замену компонентов.

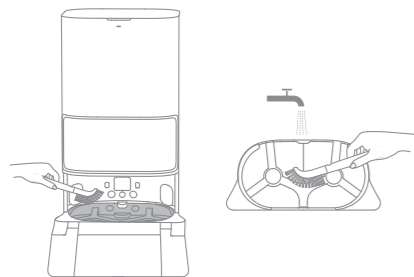
Плановое обслуживание

Очистка базовой станции

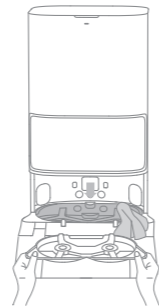
1. Выберите «Base Station Cleaning» («Очистка базовой станции») в приложении, и робот автоматически покинет базовую станцию. Достаньте стиральный компонент и подождите, пока вода заполнит нижнюю часть базовой станции.




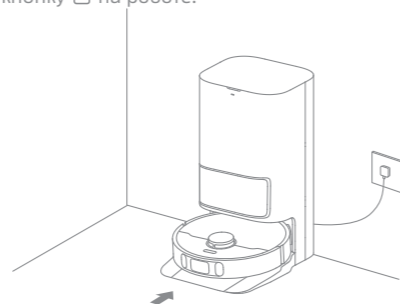
2. Промойте стиральный компонент чистой водой и очистите нижнюю часть базовой станции с помощью инструмента для чистки.



3. После этого базовая станция автоматически выпустит использованную воду. Затем вытрите базовую станцию мягким и сухим полотенцем и поставьте стиральный компонент на место.



4. Для возврата робота на базовую станцию используйте приложение или нажмите кнопку  на роботе.

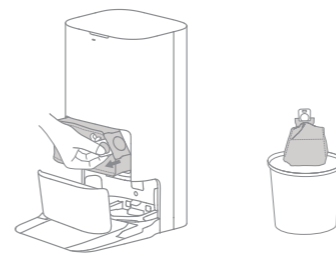


Примечание. Во время уборки не отправляйте робота обратно на базовую станцию.

Плановое обслуживание

Мешок для сбора пыли

1. Утилизируйте мешок для сбора пыли.

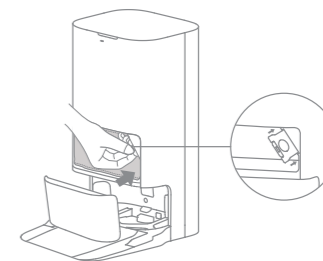


Примечание. Потяните ручку вверх, чтобы запечатать мешок и предотвратить случайное выпадение пыли и грязи.

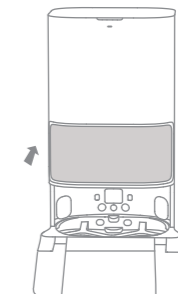
2. Очистите пыль и грязь с фильтра сухим полотенцем.



3. Установите новый мешок для сбора пыли.



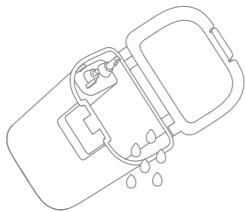
4. Закройте крышку отсека для пыли.



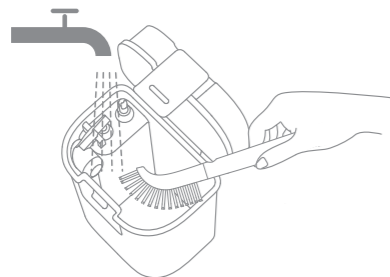
Плановое обслуживание

Резервуар для использованной воды

1. Извлеките резервуар для использованной воды, откройте его крышку и вылейте содержимое резервуара.



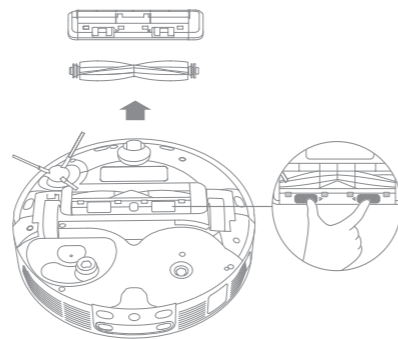
2. Промойте резервуар для использованной воды и очистите его внутреннюю поверхность с помощью инструмента для чистки в комплекте.



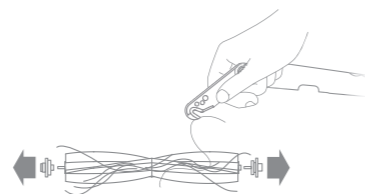
Примечание. Поплавковый уровень в резервуаре для использованной воды является подвижной деталью. Очищайте уровень без чрезмерных усилий, чтобы не повредить его.

Основная щетка

1. Надавите на зажимы, чтобы извлечь защиту щетки и достать щетку из робота.



2. Вытащите крышки щеток с ее обоих концов, как показано на рисунке. С помощью инструмента для чистки, входящего в комплект поставки, удалите волосы, запутавшиеся в щетке.



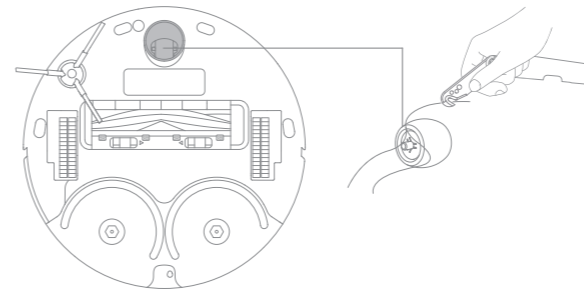
Плановое обслуживание

Боковая щетка

- Снимите и очистите боковую щетку.



Всенаправленное колесо

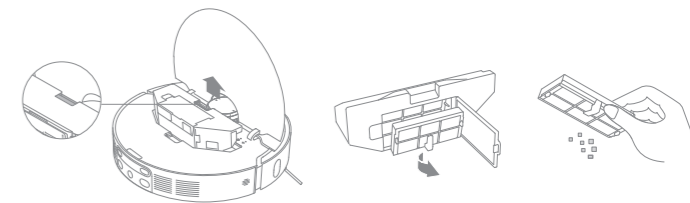


Примечание.

- Отделите ось и обод всенаправленного колеса с помощью небольшой отвертки. Не прилагайте чрезмерных усилий.
- Промойте всенаправленное колесо под проточной водой, тщательно просушите и установите на место.

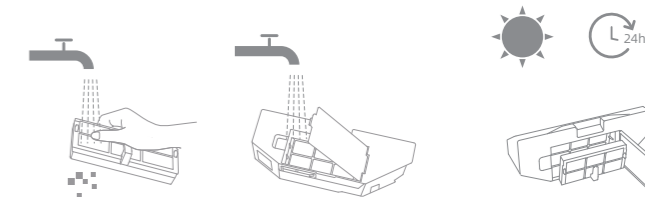
Контейнер для пыли и фильтр

1. Откройте крышку робота и нажмите на зажим контейнера для пыли, чтобы снять его. Затем снимите фильтр и слегка постучите по нему.



Примечание. Не пытайтесь очистить фильтр щеткой, пальцами или острыми предметами, чтобы не повредить его.

2. Промойте контейнер для пыли и фильтр водой, а затем тщательно просушите их перед повторной установкой.



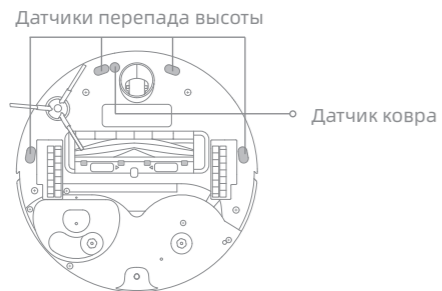
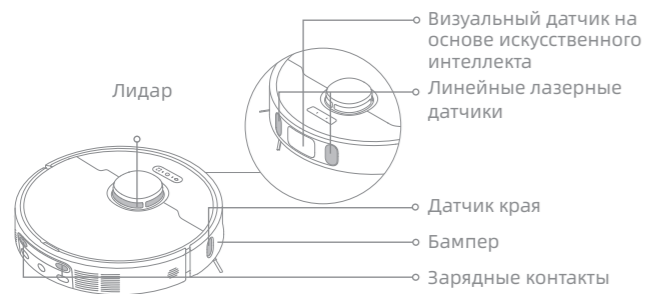
Примечание.

- Промывайте контейнер для пыли и фильтр только чистой водой. Запрещается использовать чистящее средство.
- Используйте контейнер для пыли и фильтр только после тщательной сушки.

Плановое обслуживание

Датчики и зарядные контакты робота

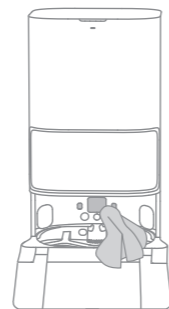
Протирайте датчики и зарядные контакты робота мягким и сухим полотенцем, как показано на рисунке ниже:



Примечание. Влажное полотенце может повредить чувствительные элементы робота и базовой станции. Для очистки используйте только сухое полотенце.

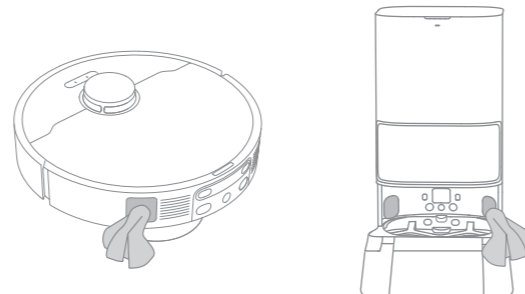
Зарядные контакты

Протрите зарядные контакты и область сигнала базовой станции сухим и мягким полотенцем.



Вентиляция устройства автоматической очистки

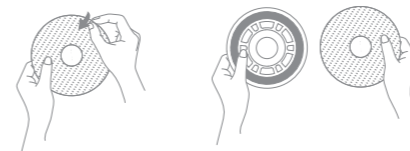
Протрите отверстия для вентиляции устройства автоматической очистки робота и базовой станции сухим и мягким полотенцем.



Плановое обслуживание

Насадка для швабры

Извлеките насадку для швабры из держателя для замены.





Аккумулятор

Робот оборудован высокопроизводительным литий-ионным аккумулятором. Для гарантии оптимальной работы следите, чтобы аккумулятор был заряжен.

Поиск и устранение неисправностей

Проблема	Решение
Робот не включается.	Низкий заряд аккумулятора. Зарядите робота на базовой станции и повторите попытку. Слишком низкая или слишком высокая температура аккумулятора. Рекомендуемая рабочая температура: от 32 °C (0 °F) до 104 °F (40 °C).
Робот не заряжается.	Базовая станция не подключена к источнику питания. Убедитесь, что оба конца кабеля питания корректно подключены. Зарядные контакты базовой станции и робота слабо контактируют. Очистите зарядные контакты. Проверьте разъем робота на наличие посторонних предметов и удалите их при необходимости.
Сбой подключения робота к сети Wi-Fi.	Неверный пароль от сети Wi-Fi. Убедитесь, что пароль для подключения к сети Wi-Fi введен верно. Робот не поддерживает сеть Wi-Fi с частотой 5 ГГц. Убедитесь, что робот подключен к сети Wi-Fi с частотой 2,4 ГГц. Слабый сигнал Wi-Fi. Убедитесь, что робот находится в зоне стабильного сигнала Wi-Fi. Робот не готов к настройке. Выйдите из приложения и зайдите еще раз, затем повторите попытку согласно инструкциям.
Робот не может найти базовую станцию и вернуться на нее.	Базовая станция отключена от источника питания или была перемещена, пока робот выполнял уборку. Вокруг базовой станции слишком много препятствий. Расположите базовую станцию на более открытом пространстве. Из-за перемещения робот может начать определять свое местоположение повторно. В случае сбоя повторного определения местоположения карта будет создана повторно. Если робот находится слишком далеко от базовой станции, он не сможет автоматически вернуться самостоятельно. В таком случае необходимо вручную вернуть робота на базовую станцию. Протрите область сигнала базовой станции, чтобы удалить пыль или грязь.
Робот застрял перед базовой станцией и не может вернуться на нее.	Чтобы робот не застрял, очистите от посторонних предметов пространство на расстоянии 1,5 м от базовой станции спереди или 5 см слева от нее. Маршрут возврата для подзарядки заблокирован, например, закрыта дверь. Робот может скользить, если участок пола перед базовой станцией слишком мокрый. В таком случае необходимо убрать излишки воды и повторить попытку. Рекомендуется переместить базовую станцию в другое место и повторить попытку. Убедитесь, что удлинительная пластина ramпы установлена правильно.

Поиск и устранение неисправностей

Проблема	Решение
Робот не выключается.	Робота нельзя выключить во время зарядки. Чтобы выключить робота, рекомендуется убрать его с базовой станции, а затем нажать и удерживать кнопку  в течение 3 секунд. Если робота невозможно выключить согласно инструкциям, описанным в шаге 1, нажмите и удерживайте кнопку  в течение 10 секунд, чтобы принудительно выключить устройство. Если проблема сохраняется, свяжитесь со службой послепродажного обслуживания.
Робот заряжается медленно.	Полная зарядка аккумулятора занимает около 3,5 часов. Если робот используется при температуре, которая не соответствует установленному диапазону, скорость зарядки автоматически снижается, чтобы увеличить время использования аккумулятора. Зарядные контакты робота и базовой станции могли загрязниться. Протрите их сухим полотенцем.
В процессе работы устройства увеличивается шум.	Проверьте фильтр контейнера для пыли на наличие засора. При наличии засора очистите или замените фильтр. В основной щетке или контейнере для пыли мог застрять твердый предмет. Проверьте и удалите твердый предмет. В основной или боковой щетке мог запутаться посторонний предмет. Проверьте и удалите посторонние предметы. Переключите режим всасывания на «Стандартный» или «Тихий».
Робот не придерживается установленного маршрута.	Перед началом использования робота все посторонние предметы, такие как кабели питания и тапки, необходимо убрать в сторону. Основное колесо скользит на влажной скользкой поверхности. Рекомендуется просушить влажную зону перед началом использования робота. Протрите линейные лазерные датчики и визуальный датчик на основе искусственного интеллекта робота чистым мягким полотенцем для гарантии их чистоты.
Робот пропускает комнаты во время уборки.	Убедитесь, что двери в комнаты, которые необходимо убрать, открыты. Убедитесь, что высота дверного порога в комнату не превышает 2 см. Робот не может переезжать через высокие пороги или ступеньки. Пространство перед комнатой, которую необходимо убрать, может быть влажным и скользким, поэтому робот скользит и работает некорректно. Попробуйте просушить пол перед началом использования робота.

Поиск и устранение неисправностей

Проблема	Решение
Робот не может возобновить уборку после подзарядки.	Убедитесь, что режим «Не беспокоить» выключен. В противном случае робот не сможет возобновить уборку. Робот не возобновит уборку, после того как вы вручную вернете его на базовую станцию для подзарядки, то есть вручную разместите робота на базовой станции или отправите его на подзарядку с помощью приложения или нажав соответствующие кнопки на самом роботе.
Станция не удаляет содержимое контейнера для пыли автоматически.	Проверьте, заполнен ли мешок для сбора пыли в соответствующем отсеке. Если мешок для сбора пыли не заполнен, проверьте отверстия для вентиляции устройства автоматической очистки робота, базовой станции или контейнера для пыли на наличие посторонних предметов. При наличии последних своевременно прочистите соответствующую деталь.
Неверный уровень воды в стиральном компоненте.	Снимите стиральный компонент и проверьте, не заблокирован ли слив использованной воды, после чего при необходимости очистите его. Аккуратно нажмите на резервуар для использованной воды, чтобы убедиться, что он установлен правильно. Убедитесь, что уплотнение на резервуаре для использованной воды не ослаблено и установлено правильно. В противном случае установите его повторно вручную. Если проблема сохраняется, свяжитесь со службой послепродажного обслуживания. Проверьте чистящий раствор. Запрещается добавлять какие-либо другие чистящие средства помимо одобренного чистящего раствора.

Для получения дополнительной технической поддержки свяжитесь с нами на сайте <https://global.dreameotech.com>

Характеристики

Робот

Модель	RLL82CE-2
Время зарядки	Около 3,5 ч
Номинальное напряжение	14.4 V $\overline{=}$
Номинальная мощность	75 W
Рабочая частота	2400-2483.5 MHz
Макс. выходная мощность	<20 dBm

При обычных условиях использования, между антенной данного оборудования и телом пользователя должно сохраняться расстояние не менее 20 см.

Базовая станция

Модель	RCLE0301-2
Номинальное входное напряжение	220-240 V \sim 50-60 Hz
Номинальное выходное напряжение	20 V $\overline{=}$ 2 A
Номинальная мощность (во время удаления пыли)	1000 W
Номинальная мощность (во время очистки)	40 W
Номинальная мощность (во время зарядки и сушки)	89 W

Примечание. Номинальная мощность (во время зарядки и сушки) определяется значением мощности в период полной нагрузки.

Извлечение и утилизация аккумулятора

Встроенный литий-ионный аккумулятор содержит вещества, представляющие опасность для окружающей среды. Аккумулятор должен быть извлечен квалифицированным специалистом и сдан в соответствующий пункт переработки.

- для утилизации аккумулятора необходимо вынуть из устройства;
- при извлечении аккумулятора устройство должно быть отключено от электросети;
- аккумулятор необходимо утилизировать безопасным способом.

ВНИМАНИЕ!

Прежде чем извлекать аккумулятор, отключите электропитание и максимально разрядите аккумулятор.

Нерабочие аккумуляторы следует сдавать в соответствующие пункты переработки.

Не подвергайте аккумулятор воздействию высокой температуры во избежание риска взрыва.

При нарушении правил эксплуатации из аккумулятора может вылиться жидкость. В случае контакта с такой жидкостью промойте пораженный участок водой и обратитесь за медицинской помощью.

Инструкции по извлечению:

1. Переверните робота, с помощью подходящего инструмента открутите винты на его задней части, а затем снимите крышку.
2. Чтобы извлечь аккумулятор, отсоедините клеммы между аккумулятором и печатной платой.

Информация об утилизации и переработке отходов электрического и электронного оборудования



Все изделия с символом отдельного сбора отработанного электрического и электронного оборудования (Директива WEEE 2012/19/EU) следует утилизировать отдельно от несортируемых бытовых отходов. С целью охраны здоровья и защиты окружающей среды, такое оборудование необходимо сдавать на переработку в специальные пункты приема электрического и электронного оборудования, определенные правительством или местными органами власти. Правильная утилизация и переработка помогут предотвратить возможные негативные последствия для окружающей среды и здоровья человека. Для получения информации о местонахождении и порядке приема устройств в пунктах приема обратитесь в компанию, занимающуюся установкой оборудования, или в местные органы власти.

Zalecenia dotyczące bezpieczeństwa

Aby uniknąć porażenia elektrycznego, pożaru lub obrażeń wywołanych przez niewłaściwe użycie urządzenia, prosimy przeczytać uważnie podręcznik zawczasu, przed użyciem, i zachować go w celu wykorzystania w przyszłości.

Ograniczenia użytkowania

- Z niniejszego urządzenia nie powinny korzystać dzieci w wieku poniżej 8 lat ani osoby o ograniczonych możliwościach fizycznych, zmysłowych lub intelektualnych, ani osoby o niewystarczającym doświadczeniu lub wiedzy, chyba że znajdują się pod nadzorem rodzica lub opiekuna. Dzieci pozostające bez nadzoru nie mogą czyścić urządzenia ani dokonywać czynności konserwacyjnych.
- Urządzenie należy używać tylko wraz z modułem zasilania, z nim dostarczanym.
- To urządzenie zawiera baterie, które mogą być wymieniane tylko przez personel o odpowiednich umiejętnościach.
- Uprzątnij teren, który ma być czyszczony. Dzieci nie mogą bawić się urządzeniem. Dbaj o to, by dzieci i zwierzęta domowe pozostawały w bezpiecznej odległości od robota podczas jego pracy.
- Nie instaluj, nie łądaj ani nie używaj urządzenia w łazienkach ani wokół basenów.
- Niniejszy produkt przeznaczony jest wyłącznie do czyszczenia podłóg w warunkach domowych. Nie należy z niego korzystać na wolnym powietrzu, do czyszczenia powierzchni innych niż podłogi, ani w obiektach komercyjnych lub przemysłowych.
- Upewnij się, czy urządzenie działa poprawnie we właściwym otoczeniu. W przeciwnym razie nie używaj urządzenia.
- Jeżeli kabel zasilania jest uszkodzony, należy go zastąpić specjalnym przewodem lub zespołem dostępnym u producenta, lub u jego przedstawiciela serwisowego.
- Nie używaj robota w miejscach zawieszonych ponad poziomem gruntu, bez bariery ochronnej.