

The word "dreame" is the abbreviation of Dreame Technology Co., Ltd. and its subsidiaries in China. It is the transliteration of the company's Chinese name "追觅", which means striving for excellence in every endeavor and reflects the company's vision of continuous pursuit, exploration and search in technology.

# Dreame L50 Pro Ultra

## Robot Vacuum and Mop with Auto-Empty and Mop Self-Cleaning User Manual

DREAME



For more support, contact us via <https://global.dreame.tech.com>  
Manufactured by: Dreame Trading (Tianjin) Co., Ltd.  
Made in China



EU-A00

The illustrations in this manual are for reference only. Please refer to the actual product.

## Contents

<b>EN</b>	User Manual	01
<b>DE</b>	Benutzerhandbuch	33
<b>FR</b>	Manuel d'utilisation	66
<b>IT</b>	Manuale utente	98
<b>ES</b>	Manual de usuario	130
<b>PL</b>	Instrukcja obsługi	162
<b>NL</b>	Gebruikershandleiding	195
<b>NO</b>	Brukerhåndbok	227
<b>SV</b>	Användarmanual	259
<b>EL</b>	Εγχειρίδιο χρήστη	291
<b>PT</b>	Manual do utilizador	323
<b>HE</b>	שמתשמל הירדמ	355
<b>AR</b>	دليل المستخدم	387

## Safety Information

To avoid electric shock, fire or injury caused by improper use of the appliance, please read the user manual carefully before using the appliance and keep it for future reference.

### Usage Restrictions

- This product should not be used by children younger than 8 years old nor persons with physical, sensory, intellectual deficiencies, or limited experience or knowledge without the supervision of a parent or guardian to ensure safe operation and to avoid any risks. Cleaning and maintenance shall not be performed by children without supervision.
- The appliance is only to be used with the power supply unit provided with the appliance.
- This appliance contains batteries that are only replaceable by skilled persons.
- Clear the area to be cleaned. Children shall not play with the appliance. Ensure children and pets are kept at a safe distance from the robot while it is operating.
- Do not install, charge or use the appliance in the bathrooms or around the pools.
- This product is for floor cleaning in a home environment only. Do not use it outdoors, on non-floor surfaces, or in a commercial or industrial setting.
- Ensure that the appliance operates correctly in a proper environment. Otherwise, do not use the appliance.
- If the power cord is damaged, it must be replaced by a special cord or assembly available from the manufacturer or its service agent.
- Do not use the robot in an area suspended above ground level without a protective barrier.

## Safety Information

### Usage Restrictions

- Do not place the robot upside down. Do not use the LDS cover, robot cover, or bumper as a handle for the robot.
- Use the robot in environments with an ambient temperature above 0°C and below 40°C. Make sure there is no liquid or sticky substance on the floor.
- To prevent damage or harm from dragging, clear any loose objects from the floor, and remove cables or power cords on the cleaning path before operating the appliance.
- Remove fragile or small items from the floor to prevent the robot from bumping into and damaging them.
- Keep hair, fingers, and other body parts away from the suction opening of the robot.
- Keep the cleaning tool out of reach of children.
- Do not operate the appliance in a room where an infant or child is sleeping.
- Do not place children, pets, or any item on top of the robot regardless of whether it is stationary or moving.
- Only clean water and the officially-approved cleaning solution can be added to the clean water tank. Do not add any other liquid such as alcohol or disinfectant. The ratio of the cleaning solution to clean water can be checked on the cleaning solution bottle. Keep the cleaning solution out of reach of children.
- Do not use the robot to clean any burning objects. Do not use the robot to pick up flammable or combustible liquids, corrosive gases, or undiluted acids or solvents.

## Safety Information

### Usage Restrictions

- Do not vacuum hard or sharp objects. Do not use the appliance to pick up objects such as stones, large pieces of paper or any item that may clog the appliance.
- Plug must be removed from the socket-outlet before cleaning or maintaining the appliance.
- Do not wipe the robot or the base station with a wet cloth or rinse them with any liquid. After cleaning washable parts, fully dry the parts before reinstalling and using them.
- Please use this product in accordance with the instructions in the User Manual. Users are responsible for any loss or damage that arise from improper use of this product.

### Batteries and Charging

- Do not use any third-party battery or base station. The robot can only be used with the model RCLE0101 base station.
- Do not attempt to disassemble, repair, or modify the battery or the base station on your own.
- Do not place the base station near a heat source.
- Do not use a wet cloth or wet hands to wipe or clean the base station's charging contacts.
- Do not improperly dispose of old batteries. Unneeded batteries should be discarded at an appropriate recycling facility.
- If the power cord becomes damaged or broken, stop using it immediately and contact after-sales service.

## Safety Information

### Batteries and Charging

- Make sure the robot is turned off when being transported and kept in its original packaging if possible.
- If the robot will not be used for an extended period of time, fully charge it, then turn it off and store it in a cool, dry place. Recharge the robot at least once every 3 months to avoid over-discharging the battery.

### Laser Safety Information

- The laser sensor in this product meets the IEC 60825-1:2014/EN 60825-1:2014/A11:2021 Standard for Class 1 laser products. Please avoid direct eye contact with it during use.

CLASS 1 LASER PRODUCT  
CONSUMER LASER PRODUCT  
EN 50689:2021



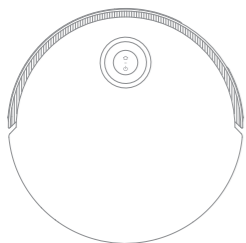
For indoor use only



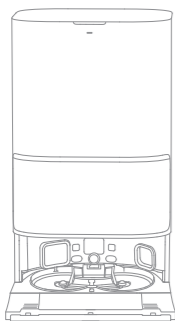
Read operator's manual

Hereby, Dreame Trading (Tianjin) Co., Ltd. declares that the radio equipment type RLL84CE is in compliance with Directive 2014/53/EU. The full text of the EU declaration of conformity is available at the following internet address: <https://global.dreametech.com>  
For detailed e-manual, please go to <https://global.dreametech.com/pages/user-manuals-and-faqs>

## Package Contents

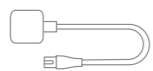


Robot



Base Station

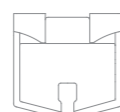
## Other Accessories



Power Cord

Base Station Ramp  
Extension Plate

User Manual

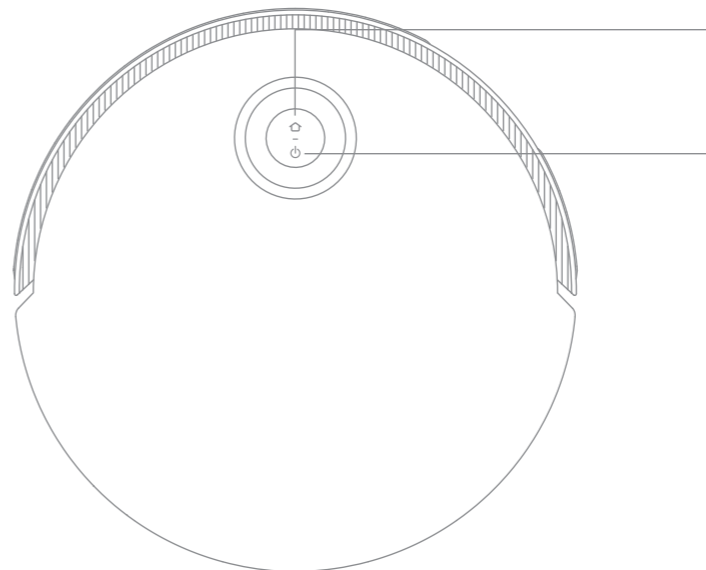
Auto-Detergent  
Compartment  
(pre-installed)Dust Bag × 2  
(1 pre-installed)Mop Pad × 2  
(pre-installed)Mop Pad  
Holder × 2Washboard Filter  
(pre-installed)

Cleaning Solution



Cleaning Tool

## Robot


 **Dock Button**

- Press to send the robot back to the base station
- Press and hold for 3 seconds to disable Child Lock

 **Power / Clean Button**

- Press and hold for 3 seconds to turn on or off
- Press to start cleaning after the robot is turned on

**Circular Status Indicator**

- Solid Blue: Cleaning or cleanup completed
- Solid Green: Charging
- Blinking Orange: Error

**Button Status Indicator**

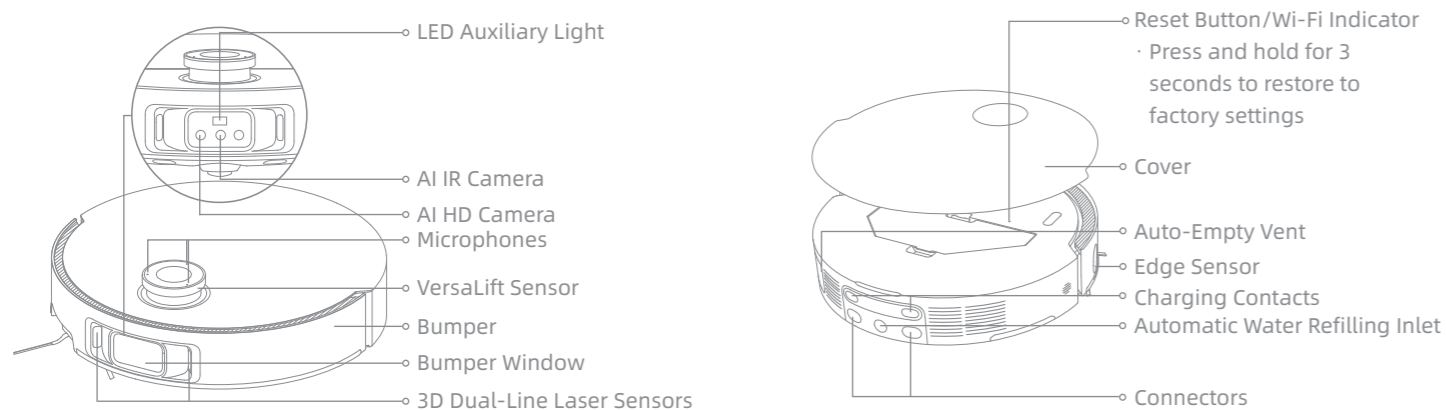
- Solid White: Cleaning or cleanup completed
- Breathing White: Charging (not low battery)
- Solid Orange: Standby at low battery or paused at low battery
- Breathing Orange: Charging (low battery)
- Blinking Orange: Error
- Blinking Pink: Camera activated

**Note:**

- Press any button on the robot to pause while the robot is cleaning or returning to charge.
- Child Lock can be enabled/disabled through the Dreamehome App.

## Product Overview

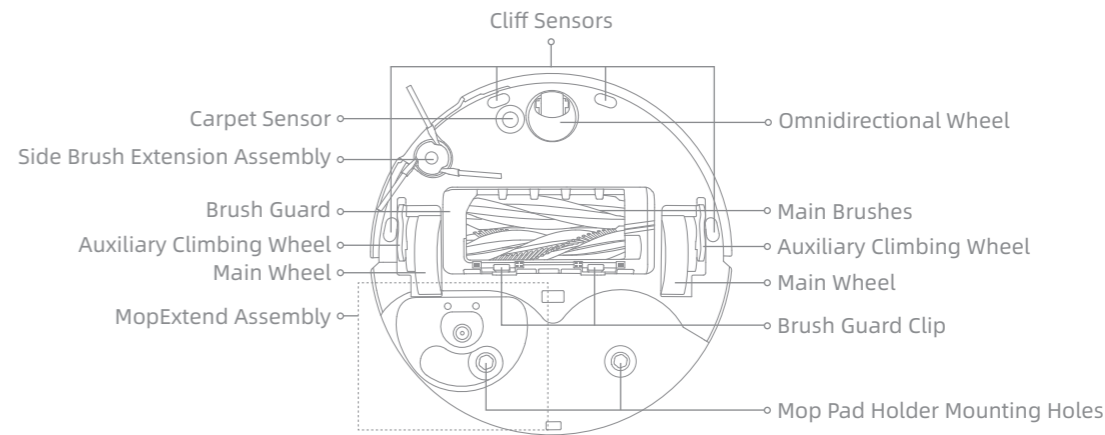
### Robot and Sensors



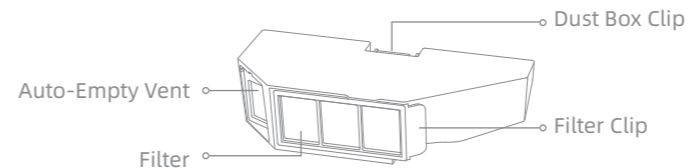
**Note:** The VersaLift sensor will be lowered when the robot is in standby mode, charging on the base station, or cleaning low-clearance areas. In the case of cleaning low-clearance areas, do not move the robot as it may affect its positioning.

## Product Overview

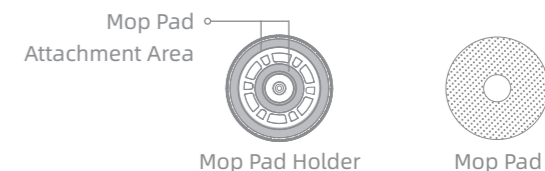
### Robot and Sensors



### Dust Box

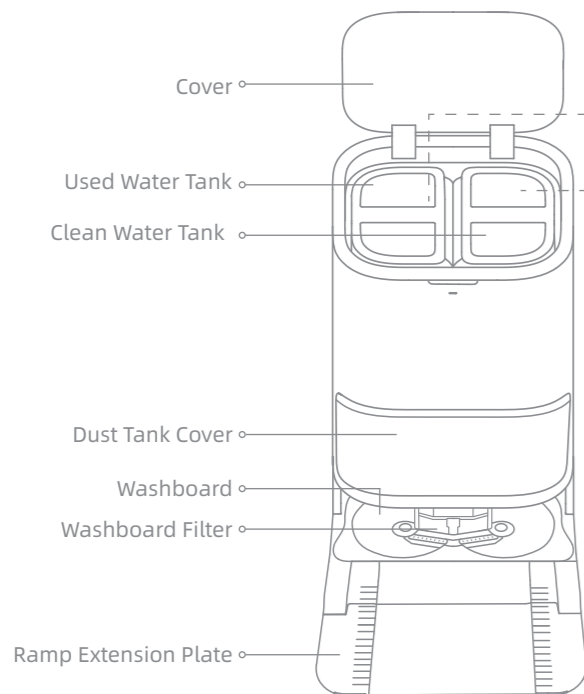


### Mop Assembly

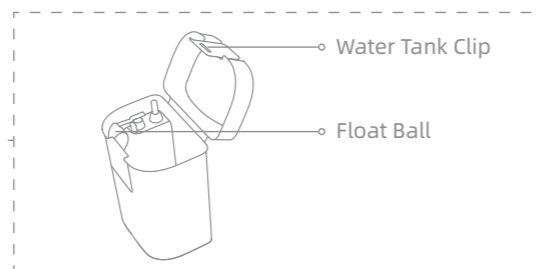


## Product Overview

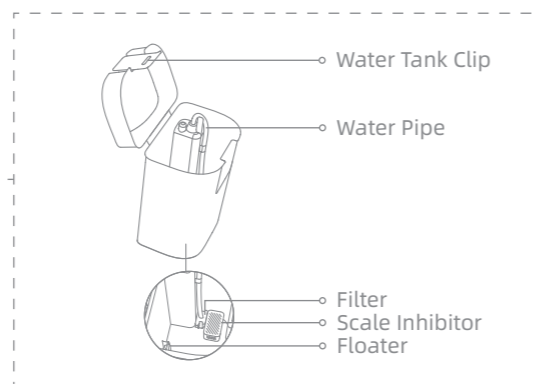
### Base Station



### Used Water Tank

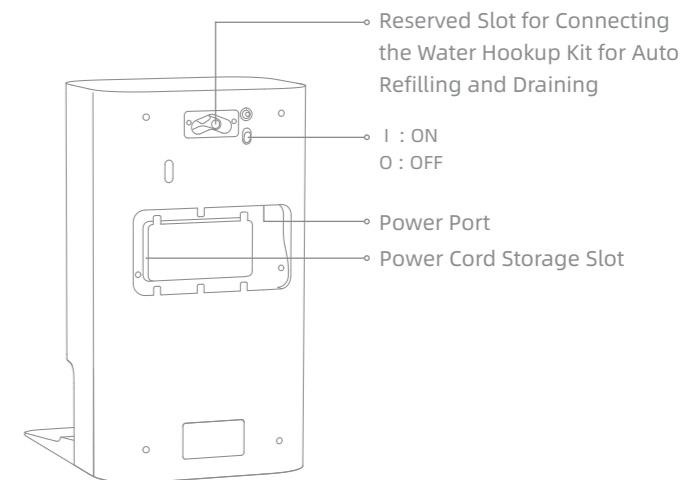
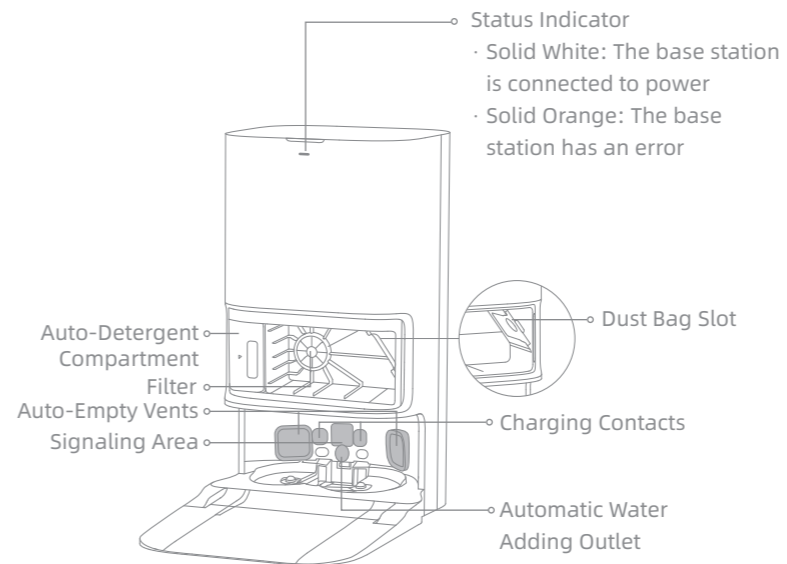


### Clean Water Tank



## Product Overview

### Base Station

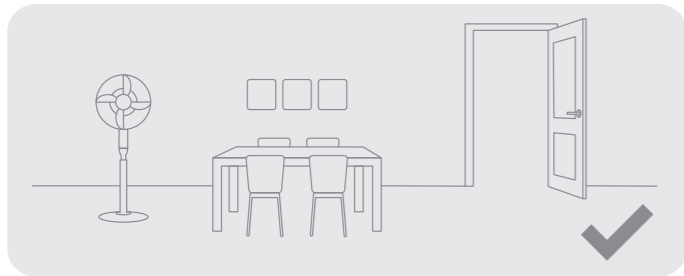


**Note:** The water hookup kit for auto refilling and draining needs to be purchased separately. (Only available in specific regions)

## Preparing Your Home



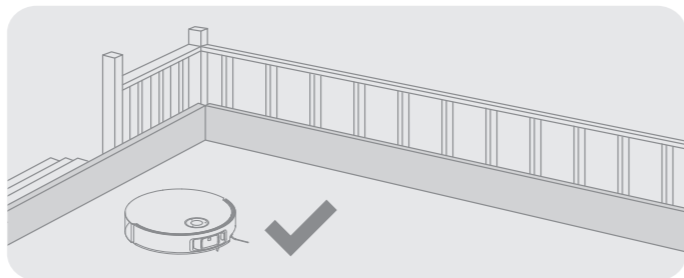
Before cleaning, please move away unstable, fragile, valuable or dangerous items, and clean up cables, cloths, toys, hard objects and sharp objects on the ground to avoid being entangled, scratched or knocked over by the robot and causing losses.



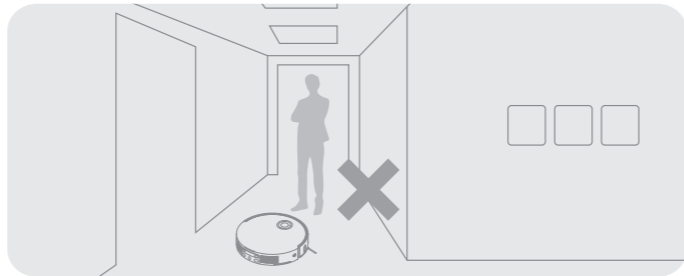
Open the door of the room to be cleaned, and put the furniture in its proper place to leave more space.

### Note:

- When operating the robot for the first time, follow it around while cleaning to remove any potential obstacles in time.
- The LED auxiliary light will provide auxiliary lighting in dimly lit environments.
- Do not vacuum hard objects like stones, steel balls and toy parts, or sharp objects like construction waste, broken glass and nails, otherwise the ground may be scratched.



Before cleaning, place a physical barrier at the edge of the stairs to ensure the secure and smooth operations of the robot.

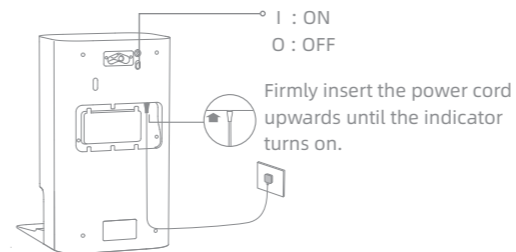
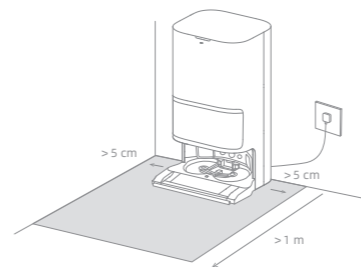


To prevent the robot from missing areas that need to be cleaned, do not stand in front of the robot, threshold, hallway, or narrow places.

## Before Use

### 1. Place the Base Station and Connect to an Electrical Outlet

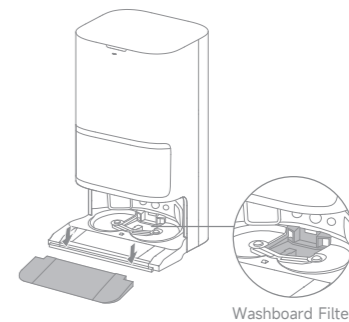
Place the base station in a location that is as open as possible with a good Wi-Fi signal. Leave enough space as shown in the figure and remove any objects in the shaded area. Insert the power cord into the base station and plug it into the socket.



### Note:

- Make sure that no objects might block the signaling area.
- To prevent water stains from wetting wood floors or carpets, placing the base station on tile floors or marble floors is recommended.

### 2. Install the Ramp Extension Plate

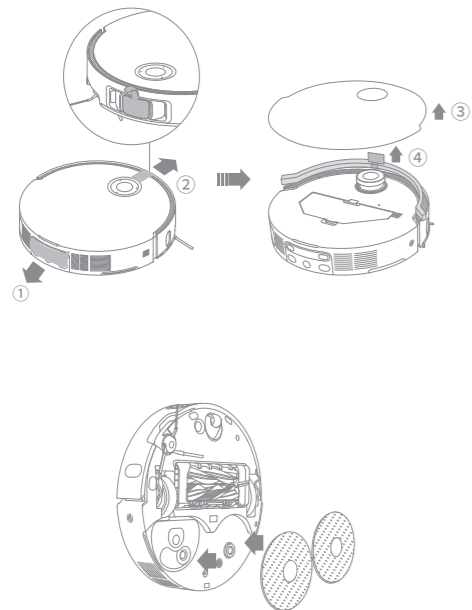


Note: Ensure the washboard filter is installed into place.




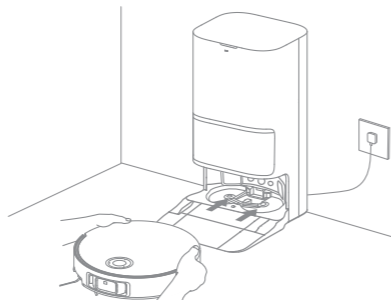
## Before Use

### 3. Remove Robot Protections and Install the Mop Assembly



### 4. Connect the Robot to the Base Station

Press and hold the button  on the robot for 3 seconds to turn it on. Place the robot onto the base station with the mop assembly facing toward the washboard. Then you will hear a voice notification when the robot successfully connects to the base station. After the robot is fully charged, the status indicators on the robot and the base station will remain lit for 10 minutes and then dim.

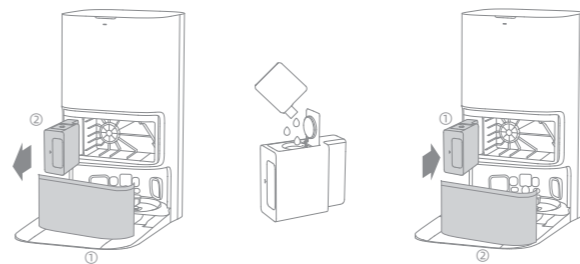


**Note:** It is recommended to fully charge the robot before its first use. When the robot cannot be turned on after the battery is depleted, manually connect the robot with the station to charge it.

## Before Use

### 5. Add the Cleaning Solution

- (1) Remove the dust tank cover and pull out the auto-detergent compartment.
- (2) Open the upper lid of the compartment and add the cleaning solution.
- (3) Close the lid of the compartment, put it back into the base station, and then reinstall the dust tank cover. The cleaning solution will be added automatically while working.

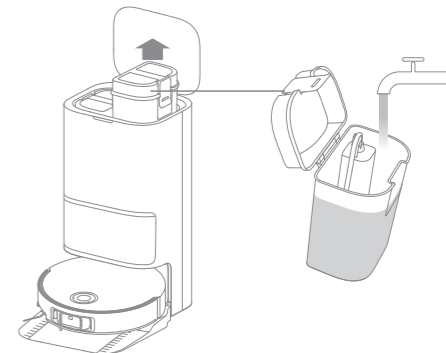


**Note:**

- The auto-detergent compartment can be filled up with cleaning solution for use. Do not add any liquid other than the officially-approved cleaning solution to help prevent malfunction.
- Install the auto-detergent compartment until it clicks into place.

### 6. Add Water to the Clean Water Tank

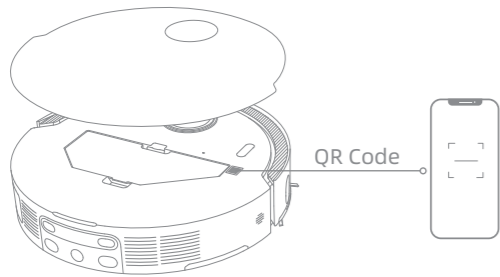
Take out the clean water tank from the base station and fill up the tank with clean water. Then install it back into the base station.



**Note:** Do not add hot water into the water tank, as this may cause the tank to become deformed.

### 1. Download the Dreamehome App

Remove the robot cover and scan the QR code on the robot, or search "Dreamehome" in the app store to download and install the app.



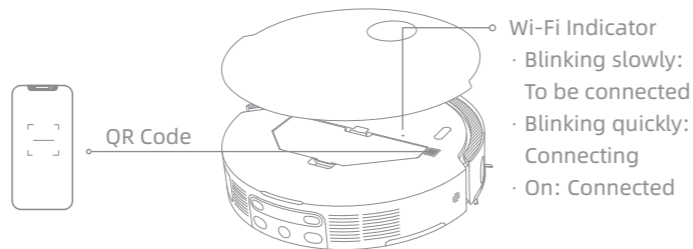
**Note:**

- Only 2.4 GHz Wi-Fi is supported.
- Due to upgrades in the app software, the actual operations may differ from the directions in this manual. Please follow the instructions based on the current app version.

### 2. Add Device



Open the Dreamehome app, tap "Scan QR code to connect", and scan the same QR code on the robot again to add the device. Please follow the prompts to finish the Wi-Fi connection.

**Note:** To reset Wi-Fi, repeat step 2 and then follow the prompts to finish the Wi-Fi connection.



## How to Use

### Turn On/Off

Press and hold the button  for 3 seconds to turn on the robot. The power indicator will remain lit. Or, place the robot onto the base station by aligning the charging contacts of the robot with those of the base station, and then the robot will turn on automatically and begin charging. To turn off the robot, move the robot away from the base station and press and hold the button  for 3 seconds.

### Fast Mapping

After configuring the network for the first time, follow the instructions in the app to quickly create a map. The robot will start mapping without cleaning. When the robot returns to the base station, the mapping process has been completed and the map will be saved automatically.

### Pause/Sleep

When the robot is running, press any button to pause it. If the robot is paused for more than 10 minutes, it automatically enters sleep mode. All indicators on the robot will turn off. Press any button on the robot, or use the app to wake up the robot.

**Note:** If the robot is paused and placed onto the base station, the current cleaning process will end.

### Auto Resume Cleaning

If the battery is too low, the robot will automatically return to the base station to charge. After charging to the appropriate battery level, it will resume unfinished cleaning tasks.

**Note:** To use this function, please enable it in the app.



### Do Not Disturb (DND) Mode

When the robot is set to the Do Not Disturb (DND) mode, the robot will be prevented from resuming cleaning. The DND mode is disabled by default at the factory. You can use the app to enable the DND mode or modify the DND period. The DND period is 22:00-8:00 by default.

**Note:**

- The scheduled cleaning tasks will be performed as usual during the DND period.
- The robot will resume cleanup where it left off after the DND period expires.

### Robot Restarting


If the robot stops responding or cannot be turned off, press and hold the button  for 10 seconds to forcefully turn it off. Then, press and hold the button  for 3 seconds to turn the robot on.

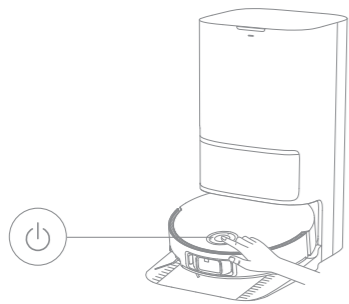
## How to Use

### Vacuum and Mop

**Note:** When using the mop assembly for the first time, the robot performs the "Vacuum and Mop" task by default.

#### 1. Start cleaning

Press the button  on the robot, or use the app to make the robot start from the base station. Then the robot will plan the optimal cleaning route and perform the cleaning task based on the created map.

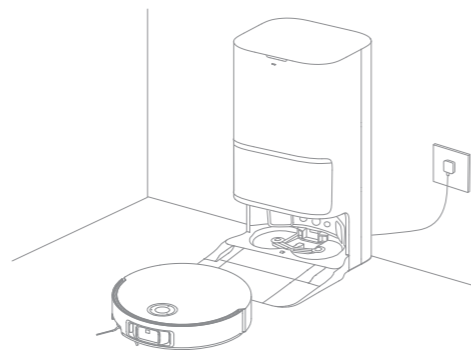


**Note:**

- To ensure the robot easily returns to the base station after cleaning, it is recommended to make the robot start from the base station.
- The mop pads will be cleaned before the robot starts mopping, please wait patiently.
- Do not move the base station, the clean water tank, the used water tank, or the washboard filter during operation.
- Hot water cleaning can be enabled in the app for mop pad cleaning, which applies to all modes. To prevent scalding, do not touch the water outlet when the function is on.

#### 2. Auto mop washing

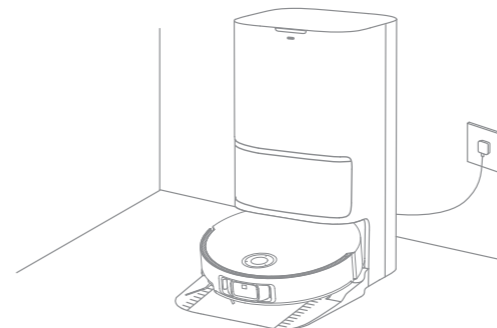
When cleaning, the robot will automatically return to the base station to wash mop pads based on the mop pad cleaning frequency specified in the app. The base station will automatically refill the robot's water tank and the robot will resume cleanup.



## How to Use

### 3. Automatically empty the dust box and wash and dry the mop pads

After the robot finishes a cleaning task and returns to the base station to charge, the base station will automatically empty the dust box and then wash and dry the mop pads.



**Note:**

- If the auto-empty function is turned off in the app, the base station will not automatically empty the dust box.
- The base station will empty the dust box according to the setting in the app.

#### 4. Clean the used water tank

After the robot has completed its task, please clean the used water tank to prevent any odor.

### Mop after Vacuuming

Enable the mopping after vacuuming function in the app, and the robot will automatically remove the mop assembly on the base station to vacuum the floor. After vacuuming is completed, the robot will return to the base station to install the mop assembly and the base station will automatically empty the dust box. And then, the robot will start mopping after the main brushes and side brush are raised.

### Vacuum Only

Enable the vacuuming function in the app, and the robot will automatically remove the mop assembly on the base station and start vacuuming.

### Mop Only

Enable the mopping function in the app, and the robot will automatically check if the mop assembly is installed on the base station. If not, the robot will install the mop assembly and start mopping after the main brushes and side brush are raised.

## Routine Maintenance

### Parts

To keep the robot in good condition, it is recommended to refer to the accessory usage in the app or the following table for routine maintenance.

Part	Maintenance Frequency	Replacement Period
Used water tank	After each use	/
Clean water tank	Once every 2 weeks	/
Main brushes		
Dust box's filter		Every 3 to 6 months
Side brush		/
Mop pad holders		/
Washboard filter		Once every 1 to 2 months
Base station's signaling area	Once every month	/
Charging contacts		
Auto-empty vents		
Omnidirectional wheel		
Edge sensor		
VersaLift sensor		
3D dual-line laser sensors		
Carpet sensor		
Cliff sensors		

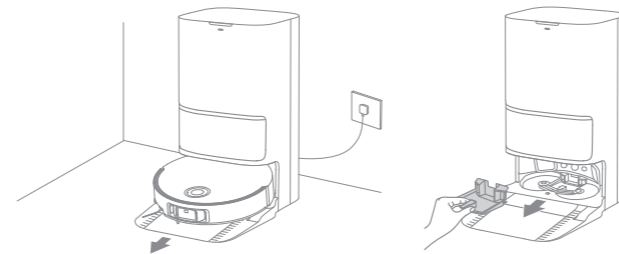
Part	Maintenance Frequency	Replacement Period
Bumper window	Once every month	/
Bumper		
Robot's automatic water refilling inlet		
Bottom of the robot		
Dust box		
Main wheels	Clean it as needed	/
Auxiliary climbing wheels	/	/
Dust bag	/	Every 2 to 4 months
Mop pads	/	Every 1 to 3 months
Scale inhibitor	/	Every 18 to 36 months

**Note:** The frequency of maintenance and replacement depends on actual usage. If an exception occurs due to special circumstances, prompt maintenance or replacement is recommended.

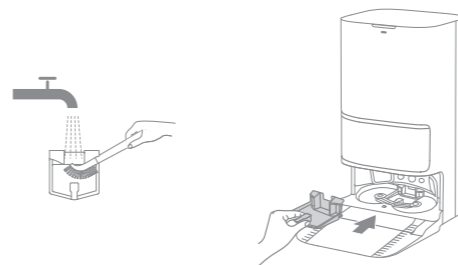
## Routine Maintenance

### Washboard Filter

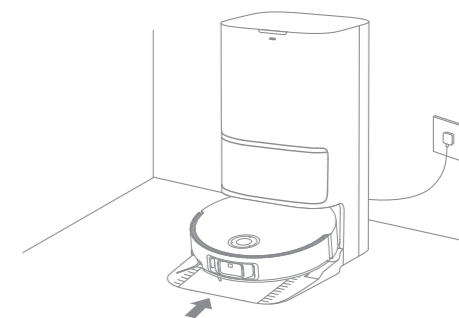
1. Take out the robot and remove the washboard filter after the mop pad cleaning is complete.



2. Rinse the washboard filter with clean water, wipe it clean, and then reinstall it in the washboard.



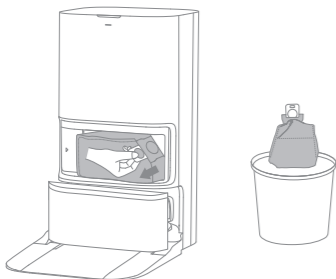
3. Use the app or press the button  to return the robot to the base station, or manually put the robot back.



## Routine Maintenance

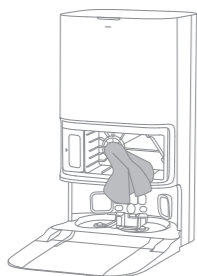
### Dust Bag

1. Remove the dust tank cover and discard the dust bag.

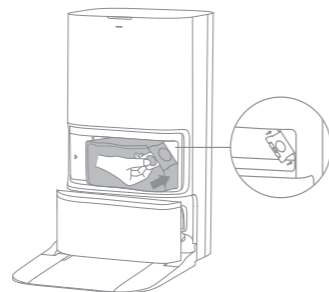


**Note:** Pulling upwards on the handle will seal the bag to prevent the dust and debris from accidentally falling out.

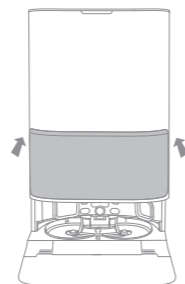
2. Remove the dust and debris from the filter with a dry cloth.



3. Install a new dust bag.



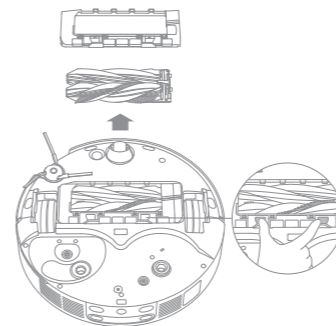
4. Reinstall the dust tank cover.



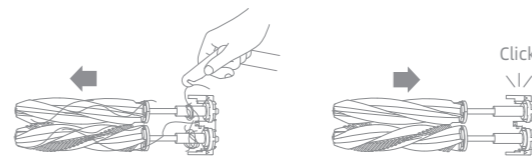
## Routine Maintenance

### Main Brushes

1. Press the brush guard clips inwards to remove the brush guard, and then lift the brushes out of the robot.

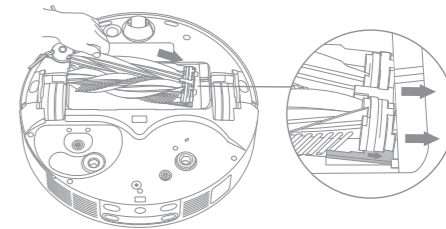


2. Pull out the brushes as shown in the figure. Use the provided cleaning tool to remove any hair tangled in the brushes. After cleaning, push the brushes firmly into the main brush holder until they click into place.

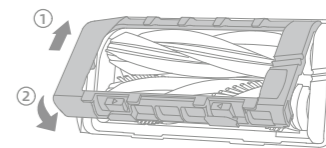


**Note:** Be careful while pulling out the main brushes to prevent injury.

3. With the screen-printed arrows facing upwards, insert the main brush holder into the slots downwards in an inclined way.



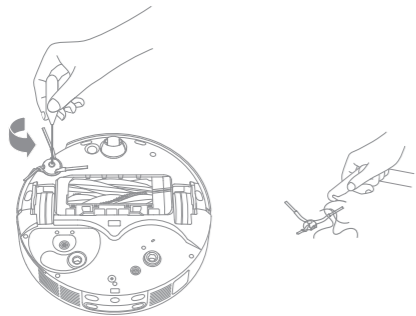
4. Align the front end of the brush guard with the slot, insert it downwards in an inclined way, and then press it into place.



## Routine Maintenance

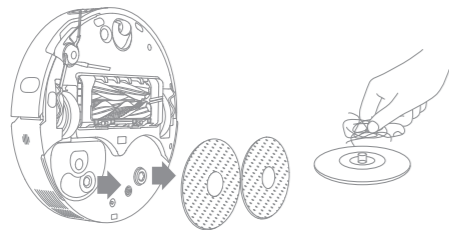
### Side Brush

Unscrew the side brush with a screwdriver, clean the hair from the brush, and then screw it back on.

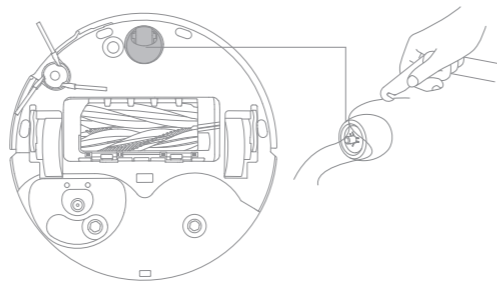


### Mop Pad Holders

Remove and clean the mop pad holders.



### Omnidirectional Wheel



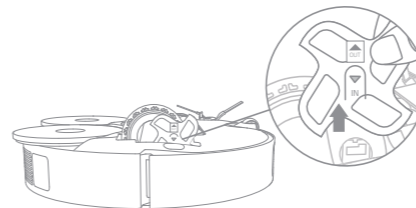
#### Note:

- Use a tool such as a small screwdriver to separate the axle and tire of the omnidirectional wheel. Do not use excessive force.
- Rinse the omnidirectional wheel under the running water and put it back after drying it completely.

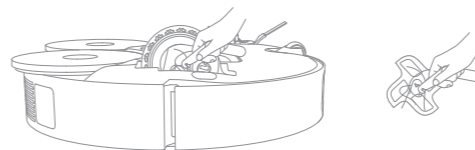
## Routine Maintenance

### Auxiliary Climbing Wheels and Main Wheels

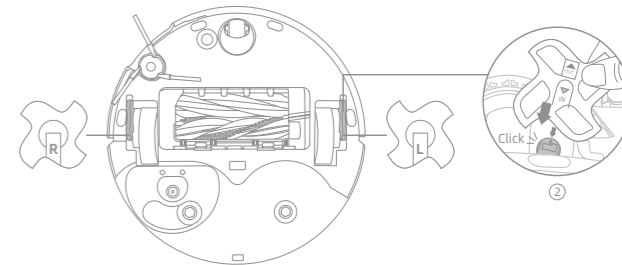
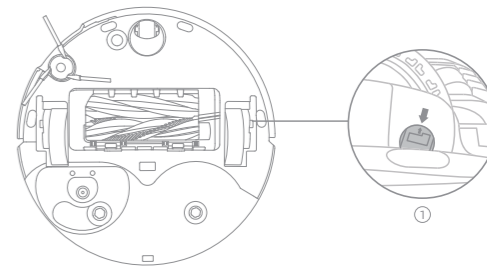
1. Rotate the auxiliary climbing wheel until the "OUT" arrow is facing upward, and then pull out the wheel.



2. Use a proper tool to clean the hair tangled in the main wheel and auxiliary climbing wheel.



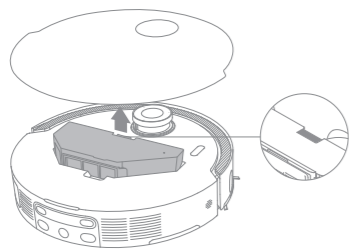
3. After cleaning, rotate the main wheel to align the two arrows (see Figure ①). Then, with the "IN" arrow facing downward, insert the left and right auxiliary climbing wheels accordingly until they click into place. (see Figure ②).



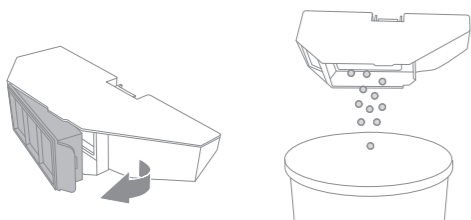
## Routine Maintenance

### Dust Box and Filter

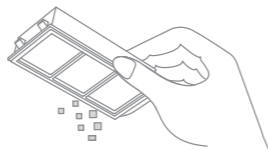
1. Remove the robot cover and press the dust box clip to remove the dust box.



2. Remove the dust box filter, and then empty the dust box.

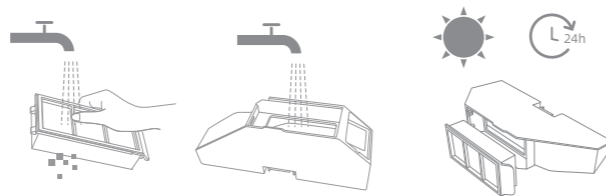


3. Gently tap the basket of the filter to remove the dirt.



**Note:** Do not attempt to clean the filter with a brush, a finger or sharp objects to prevent damage.

4. Rinse the dust box and filter with water and dry them completely before reinstalling.



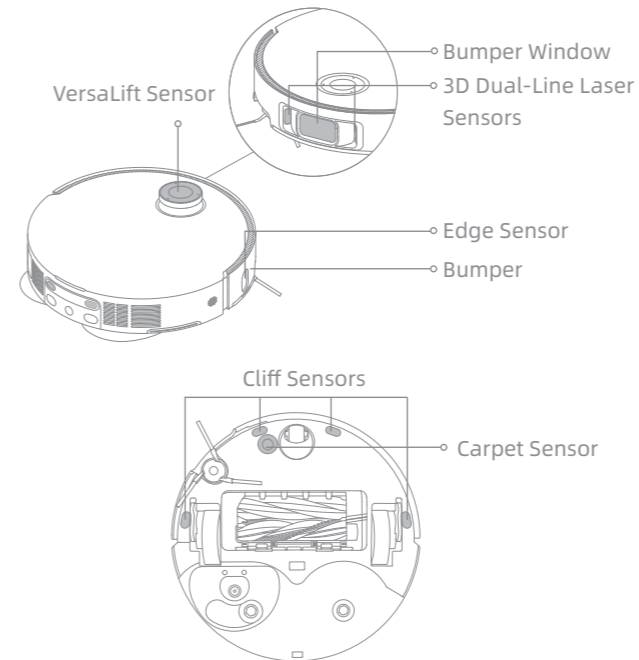
**Note:**

- Rinse the dust box and filter with clean water only. Do not use any detergent.
- Use the dust box and filter only when they are completely dry.

## Routine Maintenance

### Robot Sensors

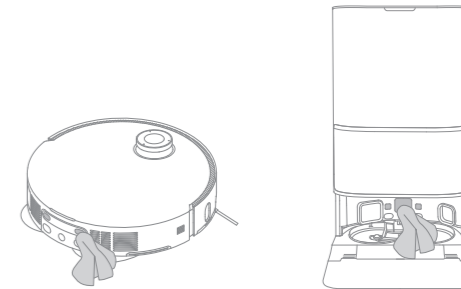
Wipe the robot sensors by using a soft and dry cloth, as shown in the below figure:



**Note:** A wet cloth can damage sensitive elements within the robot and the base station. Please use a dry cloth for cleaning.

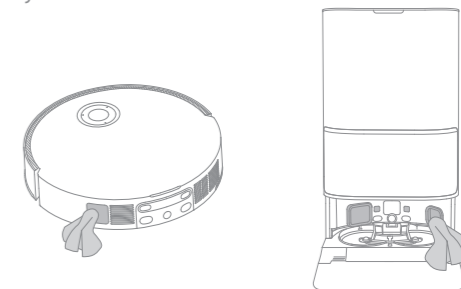
### Charging Contacts and Signaling Area

Clean the charging contacts and the signaling area with a soft and dry cloth.



### Auto-Empty Vents

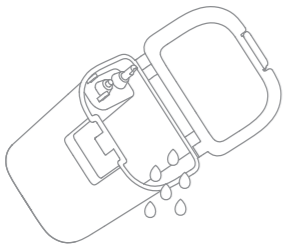
Clean the auto-empty vents of the robot and the base station with a soft and dry cloth.



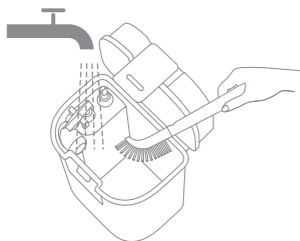
## Routine Maintenance

### Used Water Tank

1. Remove the used water tank, open its cover and pour out the used water.



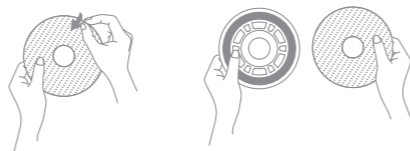
2. Rinse the used water tank with clean water, and use the provided cleaning tool to clean the inner wall of the used water tank.



**Note:** Be careful while pulling out the main brush to prevent injury.

### Mop Pads

Remove the mop pads from the mop pad holders to replace them.



### Battery



The robot contains a high-performance lithium-ion battery pack. Make sure that the battery remains well-charged for daily use to maintain optimal battery performance. If the robot is not used for an extended period of time, turn it off and put it away. To prevent damage from over-discharging, charge the robot at least once every three months.

## Troubleshooting


Problem	Solution
The robot will not turn on.	The battery is low. Recharge the robot on the base and try again. The temperature of the battery is too low or too high. It is recommended to operate the appliance at a temperature between 0°C (32°F) and 40°C (104°F).
The robot will not charge.	The base station is not connected to power, please make sure both ends of its power cord are correctly plugged in. The contact between the charging contacts on the base station and the robot is poor, please clean the charging contacts. Check whether there is any foreign object at the connectors of the robot and remove the foreign object if any.
The robot fails to connect to Wi-Fi.	The Wi-Fi network password is incorrect. Make sure the password used to connect to your Wi-Fi network is correct. The robot does not support a 5 GHz Wi-Fi connection. Make sure the robot is connected to a 2.4 GHz Wi-Fi connection. The Wi-Fi signal is weak. Make sure the robot is in an area with good Wi-Fi coverage. The robot may not be ready to be configured. Please exit and re-enter the app, and then try again as instructed.
The robot cannot find and return to the base station.	The base station is disconnected from power or moved when the robot is not on it. Please connect the base station to the power supply or place the robot onto the base station to charge. There are too many obstructions around the base station. Place the base station in a more open area. Moving the robot may cause it to re-position itself, and it will recreate a map if re-positioning fails. If the robot is too far from the base station, it might not be able to automatically return on its own, in which case you will need to manually place the robot onto the base station. Wipe the signaling area on the base station to remove dust or debris.



## Troubleshooting

Problem	Solution
The robot gets stuck in front of the base station and cannot return to it.	Check whether there is enough space on both sides or in front of the base station to prevent the robot from being blocked. The route for returning to charge is blocked, e.g. the door is closed. The robot may slip if the floor in front of the base station is overly wet. If so, clean the excess water before trying again. It is recommended to move the base station to a different place and try again. Make sure the ramp extension plate is installed properly.
The robot will not turn off.	The robot cannot be turned off when it is charging. It is recommended to move the robot from the base station, and then press and hold the button  for 3 seconds to turn it off. If the robot cannot be turned off by performing step 1, press and hold the button  for 10 seconds to forcibly turn off the robot. If the problem persists, please contact after-sales service.
The charging speed is slow.	It takes about 4.5 hours to fully charge the robot when its battery is low. If you operate the robot at temperatures outside of the specified range, the charging speed will automatically slow down to extend the battery life. The charging contacts on both the robot and the base station may be dirty, please wipe them with a dry cloth.
The noise increases while the robot is operating.	Check whether the dust box filter is clogged. If so, clean it or replace it. A hard object may be caught in the main brushes or the dust box. Check and remove any hard object. The main brushes or the side brush may become tangled. Check and remove any foreign objects. Switch the suction mode to Standard or Quiet.
The robot moves without following the set route.	Objects such as power cords and slippers should be organized before using the robot. Working on wet slippery surfaces causes the main wheel to slip. It is recommended to dry the wet places before using the robot. Wipe the bumper window and 3D dual-line laser sensors on the robot with a clean, soft cloth to keep them clean and unobstructed.

## Troubleshooting

Problem	Solution
The robot misses the rooms to be cleaned.	Make sure that the doors of the rooms to be cleaned are open. The place in front of the room to be cleaned may be wet and slippery, causing the robot to slip and work abnormally. Please try drying the floor before using the robot.
The robot will not resume cleaning after charging.	Make sure that the robot is not set to the Do Not Disturb (DND) mode, which will prevent it from resuming cleaning. The robot will not resume cleaning after you manually place the robot on the base station or send the robot to charge via the app or the button  .
The station cannot automatically empty the dust box.	Check whether the dust bag in the dust tank is full. If the dust bag is not full, check whether there is any obstruction at the auto-empty vents of the robot, the base station, or the dust box. If any, clean the blocked part in time.
The water level in the washboard is abnormal.	Check whether the seal on the used water tank is loose or not correctly installed, and manually reset it if so. If the problem persists, please contact the after-sales service team. Gently press down on the used water tank to make sure it is installed correctly. Remove the washboard filter and check whether the sewage drain outlet is blocked and clean it. Check the cleaning solution. Do not add any liquid other than the officially-approved cleaning solution.
The mop pad holder is raised abnormally.	Please remove the mop pad holder to check if there is any foreign object stuck in it, and try to restart the robot. If the problem persists, please contact the after-sales service team.
There is water under the clean water tank or around the seal.	When taking out the clean water tank, some water in the pipe may be left under the tank or around the seal. This is normal. Please wipe with a dry cloth.

For more support, contact us via <https://global.dreametech.com>

## Specifications

### Robot

Model	RLL84CE
Charging Time	Approx. 4.5 hours
Rated Voltage	14.4 V $\equiv$
Rated Power	75 W
Operation Frequency	2400-2483.5 MHz
Maximum Output Power	< 20 dBm

Under normal use of condition, this equipment should be kept a separation distance of at least 20 cm between the antenna and the body of the user.

### Base Station

Model	RCLE0101
Rated Input	220-240 V ~ 50-60 Hz
Rated Output	20 V $\equiv$ 2 A
Rated Power (during dust emptying)	700 W
Rated Power (during hot water cleaning)	1160 W
Rated Power (during charging and drying)	87 W

Note:

- Rated Power (during hot water cleaning) is determined by the power value during the representative period (water temperature 25°C).
- Rated Power (during charging and drying) is determined by the power value during full load period.

## Battery Disposal and Removal

The built-in lithium-ion battery contains substances that are hazardous to the environment. Before disposing of the battery, make sure the battery is removed by qualified technicians and discarded at an appropriate recycling facility.

- the battery must be removed from the appliance before it is scrapped;
- the appliance must be disconnected from the supply mains when removing the battery;
- the battery is to be disposed of safely.

### CAUTION:

Before removing the battery, disconnect the power and run out the battery as much as possible.

Unneeded batteries should be discarded at an appropriate recycling facility.

Do not expose to high temperature environment to avoid risks of explosion.

Under abusive conditions, liquid may be ejected from the battery. If contact occurs, flush with water and seek medical help.

### Removal Guide:

1. Turn over the robot, use a proper tool to remove the screws on the back of the robot, and then remove the cover.
2. Unplug the terminals between the battery and PCB board to remove the battery.

### WEEE Information



All products bearing this symbol are waste electrical and electronic equipment (WEEE as in directive 2012/19/EU) which should not be mixed with unsorted household waste. Instead, you should protect human health and the environment by handing over your waste equipment to a designated collection point for the recycling of waste electrical and electronic equipment, appointed by the government or local authorities. Correct disposal and recycling will help prevent potential negative consequences to the environment and human health. Please contact the installer or local authorities for more information about the location as well as terms and conditions of such collection points.

## Sicherheitshinweise

Lesen Sie die Bedienungsanleitung vor der Verwendung des Geräts sorgfältig durch und bewahren Sie sie zum späteren Nachschlagen auf, um Stromschläge, Brände oder Verletzungen durch unsachgemäßen Gebrauch des Geräts zu vermeiden.

### Nutzungsbeschränkungen

- Um einen sicherer Betrieb dieses Produkts zu gewährleisten und um jegliche Risiken zu vermeiden, darf es nicht von Kindern unter 8 Jahren oder von Personen mit körperlichen, sensorischen oder intellektuellen Defiziten bzw. eingeschränkter Erfahrung oder Kenntnissen ohne die Aufsicht der Eltern oder eines Erziehungsberechtigten benutzt werden. Kinder dürfen die Reinigung und Wartung nicht ohne Aufsicht durchführen.
- Das Gerät darf nur mit dem mitgelieferten Netzteil verwendet werden.
- Dieses Gerät enthält Akkus, die nur von Fachpersonal ausgetauscht werden können.
- Räumen Sie den zu reinigenden Bereich ab. Kinder dürfen nicht mit dem Gerät spielen. Achten Sie auf einen sicheren Abstand zwischen Kindern und Haustieren und dem Roboter, während dieser in Betrieb ist.
- Das Gerät darf nicht in Badezimmern oder in der Nähe von Schwimmbecken installiert, aufgeladen oder verwendet werden.
- Dieses Produkt ist nur für die Bodenreinigung in Wohnräumen geeignet. Verwenden Sie es nicht im Freien, auf anderen Oberflächen als Bodenbeläge oder in einer gewerblichen oder industriellen Umgebung.
- Stellen Sie sicher, dass das Gerät in einer geeigneten Umgebung ordnungsgemäß funktioniert. Andernfalls dürfen Sie das Gerät nicht verwenden.
- Bei Beschädigung des Netzkabels muss es durch ein spezielles Kabel oder eine spezielle Einheit ersetzt werden, die Sie beim Hersteller oder seinem Kundendienst erhalten können.

## Sicherheitshinweise

### Nutzungsbeschränkungen

- Benutzen Sie den Roboter nicht in einem Bereich, der über dem Boden freisteht, ohne dass eine Schutzbarriere vorhanden ist.
- Stellen Sie den Roboter nicht auf den Kopf. Nutzen Sie die LDS-Abdeckung, die Roboterabdeckung oder den Stoßfänger nicht als Griff für den Roboter.
- Verwenden Sie den Roboter in Räumen mit einer Umgebungstemperatur von über 0 °C und unter 40 °C. Stellen Sie sicher, dass sich keine Flüssigkeiten oder klebrigen Substanzen auf dem Boden befinden.
- Entfernen Sie vor dem Betrieb des Geräts alle freistehenden Gegenstände vom Boden, sowie alle auf dem Reinigungspfad herumliegenden Kabel oder Netzkabel, um Schäden bzw. Verletzungen durch Nachziehen zu vermeiden.
- Entfernen Sie zerbrechliche oder kleine Gegenstände vom Boden, um eine Kollision des Roboters mit diesen Gegenständen und deren Beschädigung zu vermeiden.
- Halten Sie Haare, Finger und andere Körperteile von der Saugöffnung des Roboters fern.
- Bewahren Sie das Reinigungswerkzeug außerhalb der Reichweite von Kindern auf.
- Betreiben Sie das Gerät nicht in einem Zimmer mit schlafenden Säuglingen oder Kindern.
- Verhindern Sie, dass sich Kinder, Haustiere oder andere Gegenstände auf den Roboter befinden, unabhängig davon, ob er steht oder sich bewegt.
- In den Frischwasserbehälter darf nur sauberes Wasser und die offiziell zugelassene Reinigungsflüssigkeit eingefüllt werden. Fügen Sie keine anderen Flüssigkeiten wie z. B. Alkohol oder Desinfektionsmittel hinzu. Das richtige Mischungsverhältnis von Reinigungsflüssigkeit und sauberem Wasser steht auf der Flasche mit der Reinigungsflüssigkeit. Bewahren Sie die Reinigungsflüssigkeit außerhalb der Reichweite von Kindern auf.

## Sicherheitshinweise

### Nutzungsbeschränkungen

- Verwenden Sie den Roboter nicht zum Reinigen im Falle von brennenden Gegenständen. Verwenden Sie den Roboter nicht, um entflammbare oder brennbare Flüssigkeiten, ätzende Gase oder unverdünnte Säuren oder Lösungsmittel aufzusaugen.
- Keine harten oder scharfen Gegenstände aufsaugen. Verwenden Sie das Gerät nicht zum Aufsaugen von Gegenständen wie Steinen, großen Papierstücken oder anderen Gegenständen, die zur Verstopfung des Geräts führen können.
- Vor der Reinigung oder Wartung des Geräts muss der Stecker aus der Steckdose gezogen werden.
- Wischen Sie den Roboter oder die Basisstation nicht mit einem feuchten Tuch ab und spülen Sie diese nicht mit Flüssigkeiten aus. Lassen Sie die abwaschbaren Teile nach der Reinigung vollständig trocknen, bevor Sie sie wieder einbauen und benutzen.
- Verwenden Sie dieses Gerät gemäß den Anweisungen im Benutzerhandbuch. Der Benutzer ist für alle auf Grund einer unsachgemäßen Verwendung dieses Produkts entstandenen Verluste oder Schäden verantwortlich.

### Akkus und Aufladen

- Verwenden Sie keine Akkus oder eine Basisstation von externen Anbietern. Der Roboter kann nur mit der Basisstation Modell RCLE0101 verwendet werden.
- Versuchen Sie nicht, den Akku oder die Basisstation selbst zu zerlegen, zu reparieren oder zu verändern.
- Stellen Sie die Basisstation nicht in der Nähe einer Wärmequelle auf.
- Reinigen Sie die Ladekontakte der Basisstation niemals mit einem feuchten Tuch oder nassen Händen.
- Entsorgen Sie alte Akkus nicht unsachgemäß. Nicht benötigte Batterien sollten in einer geeigneten Recyclinganlage entsorgt werden.

## Sicherheitshinweise

### Akkus und Aufladen

- Im Falle einer Beschädigung oder eines Defekts des Netzkabels stellen Sie die Verwendung sofort ein und wenden Sie sich an den Kundendienst.
- Achten Sie darauf, dass der Roboter beim Transport ausgeschaltet ist und möglichst in seiner Originalverpackung aufbewahrt wird.
- Bei längerer Nichtbenutzung des Roboters sollte er vollständig aufgeladen, danach ausgeschaltet und an einem kühlen, trockenen Ort aufbewahrt werden. Laden Sie den Roboter mindestens einmal alle 3 Monate auf, um eine Tiefentladung des Akkus zu vermeiden.

### Informationen zur Lasersicherheit

- Der Lasersensor in diesem Produkt entspricht der Norm IEC 60825-1:2014/EN 60825-1:2014/A11:2021 für Laserprodukte der Klasse 1. Bei der Verwendung ist direkter Augenkontakt zu vermeiden.

LASERPRODUKT DER KLASSE 1

LASERPRODUKT FÜR VERBRAUCHER

EN 50689:2021



Nur für den Innenbereich geeignet



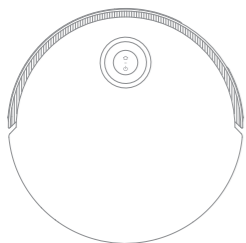
Bedienungsanleitung lesen

Hiermit erklärt Dreame Trading (Tianjin) Co., Ltd. dass das Funkgerät des Typs RLL84CE den Anforderungen der Richtlinie 2014/53/EU entspricht. Der vollständige Wortlaut der EU-Konformitätserklärung ist unter der folgenden Internetadresse abrufbar:

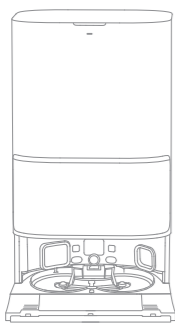
<https://global.dreamotech.com>

Ein ausführliches elektronisches Handbuch finden Sie unter <https://global.dreamotech.com/pages/user-manuals-and-faqs>.

## Packungsinhalt

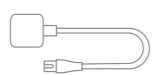


Roboter



Basisstation

## Sonstiges Zubehör



Netzkabel



Rampenverlängerungsplatte der Basisstation



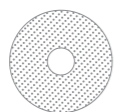
Benutzerhandbuch



Reinigungsmittelfach für automatisches Hinzufügen (vorinstalliert)



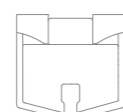
Staubbeutel x 2 (1 vorinstalliert)



Wischpad x 2 (vorinstalliert)



Wischpadhalter x 2



Waschplattenfilter (vorinstalliert)

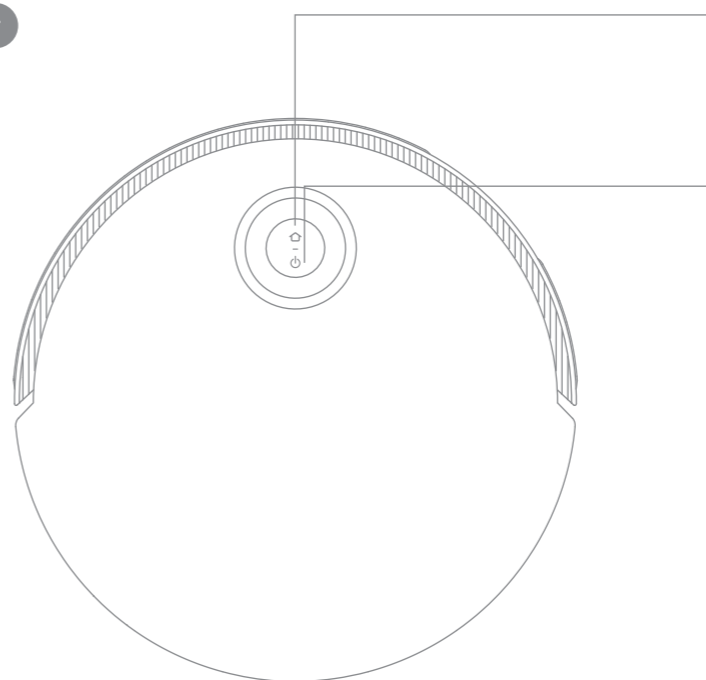


Reinigungsflüssigkeit



Reinigungswerkzeug

## Roboter



## 🏠 Dockingtaste

- Drücken Sie diese Taste für die Rückkehr des Roboters zur Basisstation
- Halten Sie die Taste 3 Sekunden lang gedrückt, um die Kindersicherung zu deaktivieren

## 🔌 Einschalt-/Reinigungstaste

- Halten Sie die Taste 3 Sekunden lang gedrückt, um das Gerät ein- oder auszuschalten
- Drücken Sie diese Taste, um die Reinigung nach dem Einschalten des Roboters zu starten

## Kreisförmige Statusanzeige

- Dauerhaft blau: Reinigung oder Säuberung abgeschlossen
- Dauerhaft grün: Laden
- Blinkt orange: Fehler

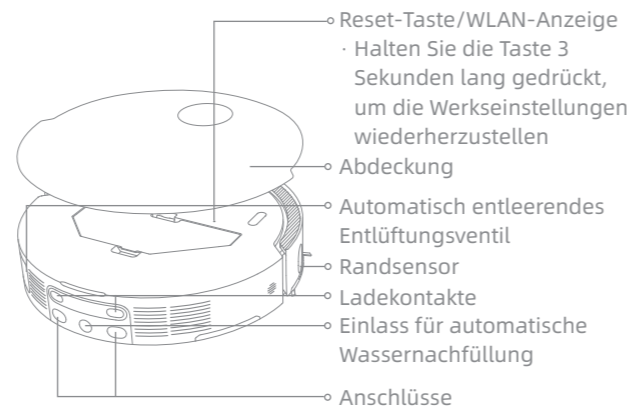
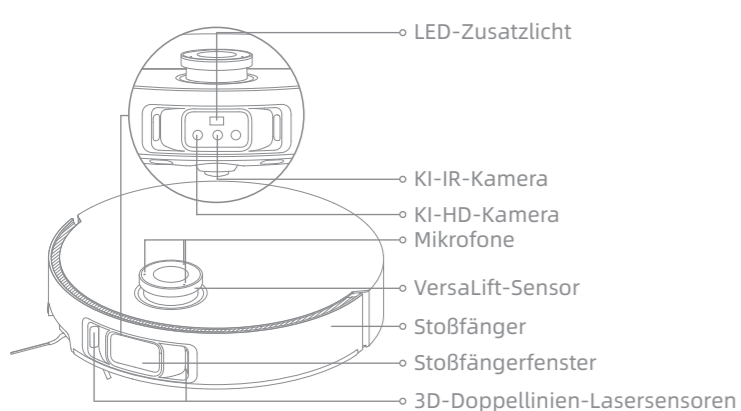
## Tasten-Statusanzeige

- Leuchtet weiß: Reinigung oder Säuberung abgeschlossen
- Hauchend weiß: Aufladen (bei nicht niedrigem Akkustand)
- Leuchtet orange: Stand-by bei niedrigem Akkustand oder angehalten bei niedrigem Akkustand
- Hauchend orange: Aufladen (bei niedrigem Akkustand)
- Blinkt orange: Fehler
- Pink blinkend: Kamera aktiviert

## Hinweis:

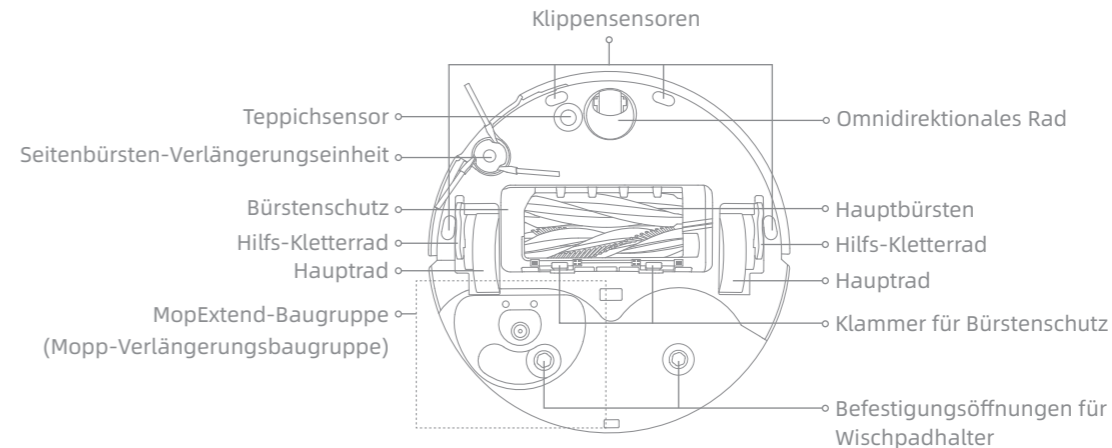
- Durch Drücken einer beliebigen Taste am Roboter können Sie den Betrieb pausieren während der Roboter reinigt oder zur Ladestation zurückkehrt.
- Die Kindersicherung kann über die Dreamehome App aktiviert/deaktiviert werden.

## Roboter und Sensoren

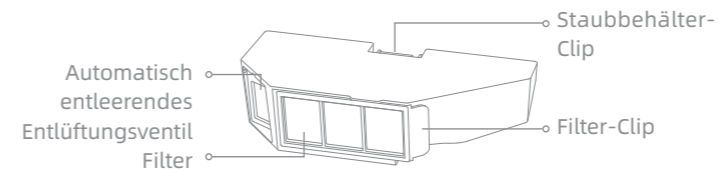


Hinweis: Der VersaLift-Sensor wird abgesenkt, wenn sich der Roboter im Standby-Modus befindet, an der Basisstation lädt oder Bereiche mit geringem Abstand reinigt. Bewegen Sie den Roboter beim Reinigen von Bereichen mit geringem Abstand nicht, da dies seine Positionierung beeinträchtigen könnte.

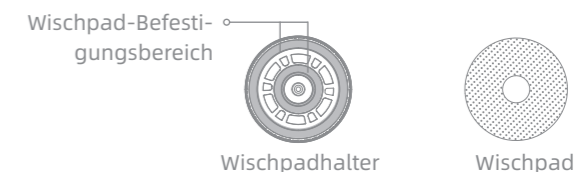
## Roboter und Sensoren



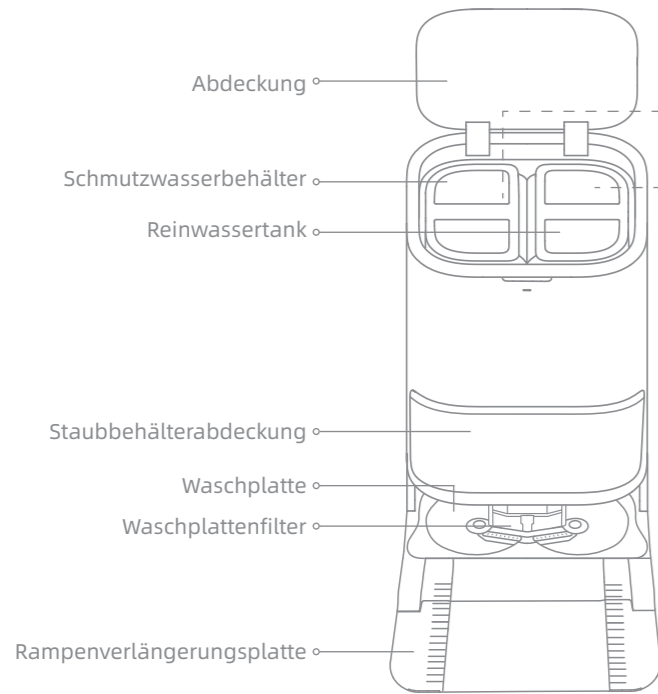
## Staubbehälter



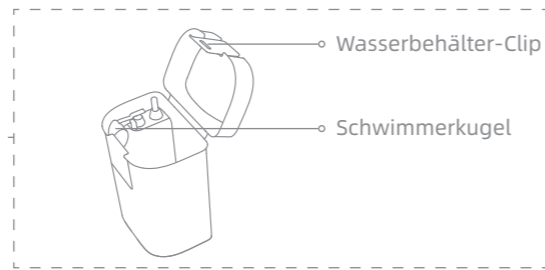
## Wischmopp-Baugruppe



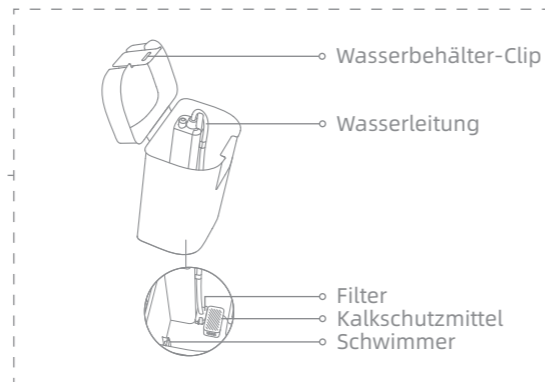
## Basisstation



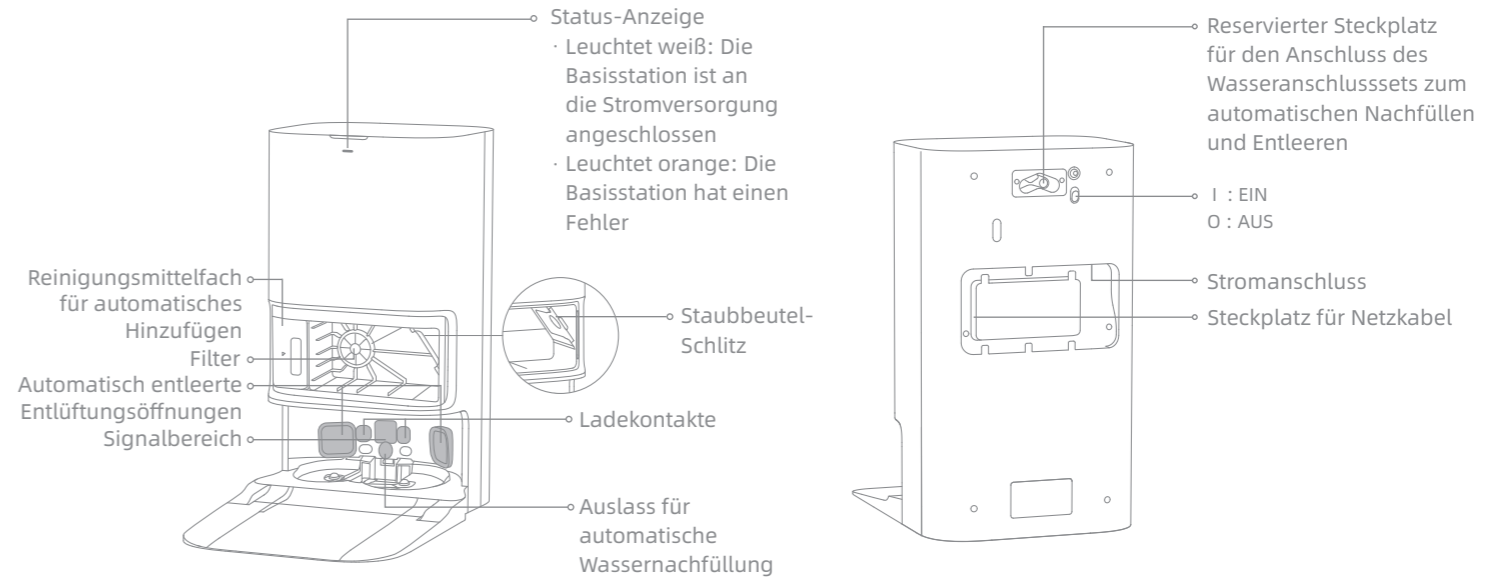
## Schmutzwasserbehälter



## Reinwassertank

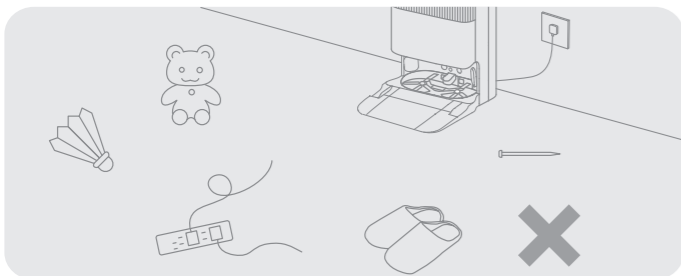


## Basisstation

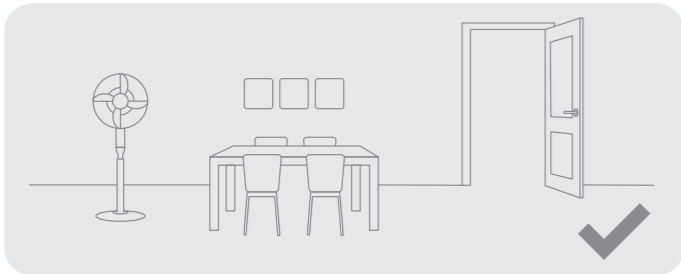


Hinweis: Das Wasseranschlusset für das automatische Nachfüllen und Entleeren muss separat erworben werden. (Nur in bestimmten Regionen verfügbar)

## Vorbereitung des Zuhauses



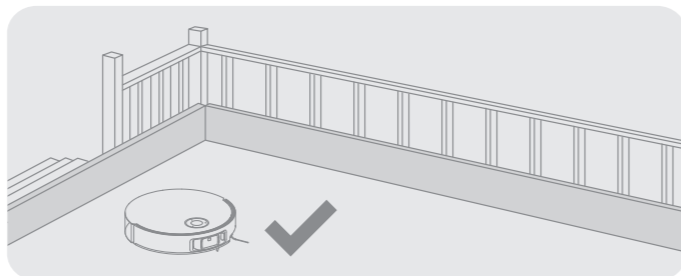
Entfernen Sie vor der Reinigung instabile, zerbrechliche, wertvolle oder gefährliche Gegenstände und räumen Sie Kabel, Tücher, Spielzeug, harte und scharfe Gegenstände vom Fußboden auf, um ein Verfangen, Zerkratzen oder Umfallen des Roboters und damit verbundene Verluste zu vermeiden.



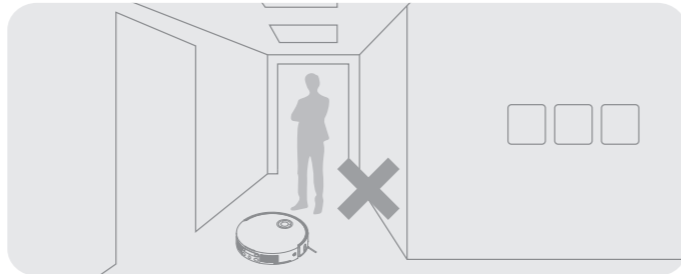
Öffnen Sie die Tür des zu reinigenden Raumes und stellen Sie die Möbel in die geeignete Position, um mehr Platz zu schaffen.

### Hinweis:

- Folgen Sie dem Roboter bei der ersten Inbetriebnahme während des Reinigungsvorgangs, um mögliche Hindernisse rechtzeitig zu entfernen.
- LED-Zusatzlicht sorgt für zusätzliche Beleuchtung in schwach beleuchteten Umgebungen.
- Saugen Sie keine harten Gegenstände wie Steine, Stahlkugeln und Spielzeugteile oder scharfe Gegenstände wie Bauschutt, Glasscherben und Nägel auf, da dadurch der Boden verkratzt werden kann.



Montieren Sie vor der Reinigung die physische Barriere an den Kanten von Treppen, um dem Roboter ein reibungsloses Arbeiten zu ermöglichen.

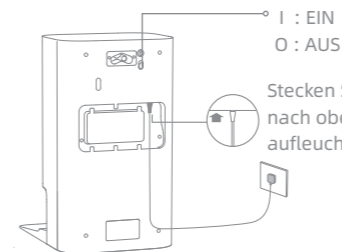
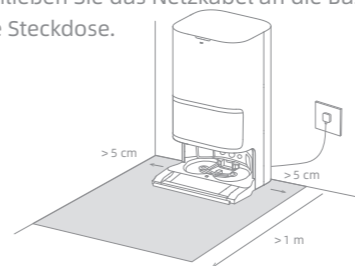


Um zu verhindern, dass der Roboter die zu reinigenden Bereiche nicht erkennt, sollten Sie sich nicht vor dem Roboter, vor Schwellen, Fluren oder engen Stellen aufhalten.

## Vor der Verwendung

### 1. Stellen Sie die Basisstation auf und stecken Sie den Stecker in die Steckdose

Stellen Sie die Basisstation an einem möglichst freistehenden Ort mit gutem WLAN-Signal auf. Lassen Sie genügend Platz, wie in der Abbildung gezeigt, und entfernen Sie alle Objekte im schattierten Bereich. Schließen Sie das Netzkabel an die Basisstation und stecken Sie es in die Steckdose.

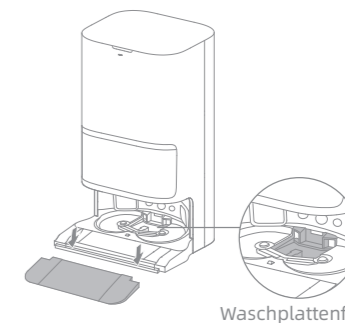


Stecken Sie das Netzkabel fest nach oben, bis die Anzeige aufleuchtet.

### Hinweis:

- Achten Sie darauf, dass keine Gegenstände den Signalisierungsbereich blockieren.
- Um zu verhindern, dass Wasserflecken Holzböden oder Teppiche nassen, empfiehlt es sich, die Basisstation auf Fliesen- oder Marmorfußböden zu stellen.

### 2. Installation der Rampenverlängerungsplatte

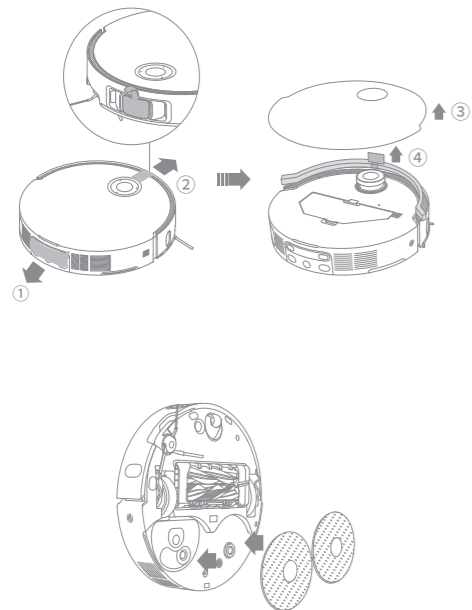


Hinweis: Stellen Sie sicher, dass der Waschplattenfilter richtig eingesetzt ist.



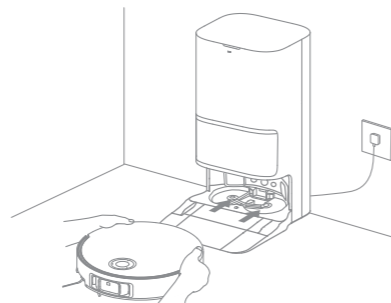
## Vor der Verwendung

### 3. Entfernen Sie die Roboterschutzvorrichtungen und installieren Sie die Mopp-Baugruppe



### 4. Den Roboter mit der Ladestation verbinden

Zum Einschalten des Roboters die  $\text{⏻}$ -Taste am Roboter drücken und 3 Sekunden lang gedrückt halten. Setzen Sie den Roboter so auf die Basisstation, dass die Mopp-Baugruppe zur Waschplatte zeigt. Anschließend hören Sie eine Sprachmeldung, wenn sich der Roboter erfolgreich mit der Basisstation verbunden hat. Nach dem vollständigen Aufladen des Roboters leuchten die Status-Anzeigen am Roboter und an der Basisstation 10 Minuten lang und erlöschen anschließend.

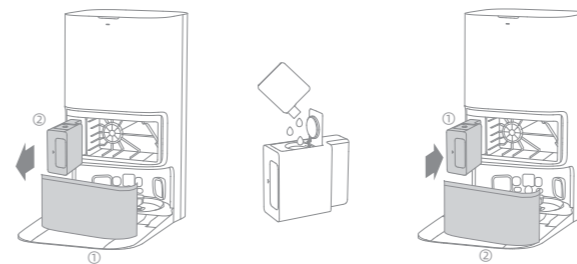


**Hinweis:** Es wird empfohlen, den Roboter vor der ersten Inbetriebnahme vollständig aufzuladen. Wenn sich der Roboter aufgrund eines leeren Akkus nicht einschalten lässt, verbinden Sie ihn zum Aufladen manuell mit der Basisstation.

## Vor der Verwendung

### 5. Füllen Sie die Reinigungsflüssigkeit ein

(1) Entfernen Sie die Abdeckung des Staubbehälters und ziehen Sie das Fach für automatische Nachfüllung des Reinigungsmittels heraus.  
 (2) Öffnen Sie den oberen Deckel des Fachs und geben Sie die Reinigungslösung ein.  
 (3) Schließen Sie den Deckel des Fachs, setzen Sie es wieder in die Basisstation ein, und bringen Sie dann die Abdeckung des Staubbehälters wieder an. Die Reinigungsflüssigkeit wird während des Betriebs automatisch zugeführt.

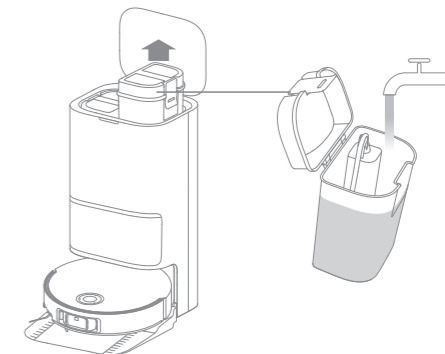


#### Hinweis:

- Das Reinigungsmittelfach für automatisches Hinzufügen kann mit Reinigungslösung gefüllt werden. Fügen Sie keine andere Flüssigkeit als die offiziell zugelassene Reinigungslösung hinzu, um Fehlfunktionen zu vermeiden.
- Installieren Sie das Fach für automatische Nachfüllung des Reinigungsmittels, bis es einrastet.

### 6. Wasser in den Frischwasserbehälter einfüllen

Nehmen Sie den Frischwasserbehälter aus der Basisstation heraus und füllen Sie den Behälter mit sauberem Wasser. Danach setzen Sie ihn wieder in die Basisstation ein.

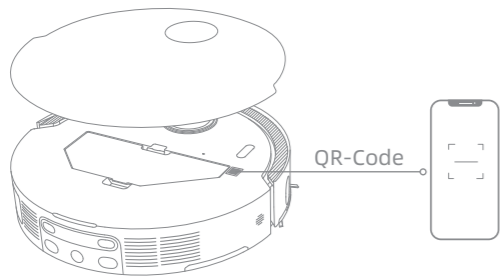


**Hinweis:** Füllen Sie kein heißes Wasser ein, da sonst der Frischwasserbehälter verformt werden kann.

## Verbinden mit der Dreamehome App

### 1. Laden Sie die Dreamehome App herunter

Entfernen Sie die Abdeckung des Roboters und scannen Sie den QR-Code auf dem Roboter, oder suchen Sie im App-Store nach „Dreamehome“, um die App herunterzuladen und zu installieren.



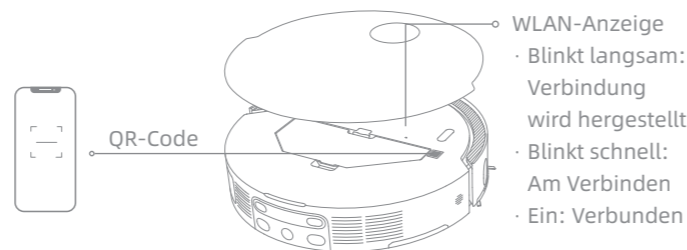
#### Hinweis:

- Es wird nur 2,4-GHz-WLAN unterstützt.
- Aufgrund von Aktualisierungen der App-Software kann der tatsächliche Betrieb von den Anweisungen in dieser Anleitung abweichen. Bitte folgen Sie den auf der aktuellen App-Version basierenden Anweisungen.

### 2. Gerät hinzufügen



Öffnen Sie die Dreamehome-App, tippen Sie auf „Scannen Sie den QR-Code zum verbinden“ und scannen Sie denselben QR-Code auf dem Roboter erneut, um das Gerät hinzuzufügen. Bitte folgen Sie den Anweisungen, um die WLAN-Verbindung herzustellen.

**Hinweis:** Zum Zurücksetzen der WLAN-Verbindung wiederholen Sie Schritt 2 und folgen Sie den Anweisungen, um die WLAN-Verbindung zu erstellen.



## Benutzung

### Einschalten/Ausschalten

Zum Einschalten des Roboters halten Sie die Taste  3 Sekunden lang gedrückt. Die Betriebsanzeige leuchtet weiter. Oder stellen Sie den Roboter auf die Basisstation, indem Sie die Ladekontakte des Roboters mit denen der Basisstation ausrichten. Dann schaltet sich der Roboter automatisch ein und beginnt mit dem Laden. Um den Roboter auszuschalten, entfernen Sie den Roboter von der Basisstation und halten Sie die Taste  3 Sekunden lang gedrückt.

### Schnelle Kartenerstellung

Nach der erstmaligen Konfiguration des Netzwerks folgen Sie zur schnellen Kartenerstellung den Anweisungen in der App. Der Roboter beginnt mit der Kartenerstellung ohne Reinigung. Wenn der Roboter zur Basisstation zurückkehrt, ist die Kartenerstellung abgeschlossen und die Karte wird automatisch gespeichert.

### Pause/Ruhemodus

Wenn der Roboter läuft, drücken Sie eine beliebige Taste, um ihn anzuhalten.

Wird der Roboter länger als 10 Minuten angehalten, geht er automatisch in den Ruhemodus über. Alle Anzeigen am Roboter schalten sich aus. Drücken Sie eine beliebige Taste auf dem Roboter, oder nutzen Sie die App, um den Roboter wieder in Betrieb zu nehmen.

**Hinweis:** Wird der Roboter ausgeschaltet und auf die Basisstation gestellt, endet die aktuelle Reinigungsaufgabe.

### Reinigung automatisch fortsetzen

Wenn der Akku zu schwach ist, kehrt der Roboter automatisch zur Basisstation zum Aufladen zurück. Wenn der Akku ausreichend aufgeladen ist, setzt er die noch nicht abgeschlossenen Reinigungsaufgaben fort.

**Hinweis:** Zur Nutzung dieser Funktion müssen Sie diese in der App aktivieren.



### Nicht-Stören-Modus (DND)

Ist der Roboter auf den Nicht-Stören-Modus (DND) eingestellt, kann er die Reinigung nicht fortsetzen. Der Nicht-Stören-Modus (DND) ist ab Werk standardmäßig deaktiviert. Sie können den Nicht-Stören-Modus (DND) über die App aktivieren oder den DND-Zeitraum ändern. Der Nicht-Stören-Zeitraum (DND) ist standardmäßig auf 22:00-8:00 Uhr eingestellt.

#### Hinweis:

- Die geplanten Reinigungsaufgaben werden während des Nicht-Stören-Zeitraums (DND) wie gewohnt ausgeführt.
- Der Roboter wird die Reinigung fortsetzen, wo er nach Ablauf des DND-Zeitraums aufgehört hat.

### Roboter neu starten

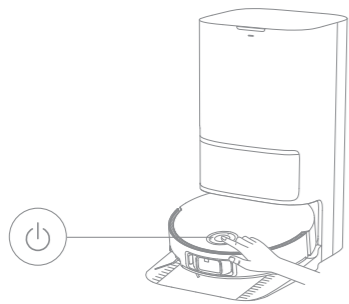
Wenn der Roboter nicht mehr reagiert oder sich nicht ausschalten lässt, halten Sie die Taste  10 Sekunden lang gedrückt, um ihn zwangsweise auszuschalten. Halten Sie dann die Taste  3 Sekunden lang gedrückt, um den Roboter einzuschalten.

### Staubsaugen und Wischen

Hinweis: Wenn Sie die Mopp-Baugruppe zum ersten Mal verwenden, führt der Roboter standardmäßig die Aufgabe „Staubsaugen und Wischen“ aus.

#### 1. Beginne mit der Reinigung

Drücken Sie die Taste  am Roboter oder nutzen Sie die App, um den Roboter von der Basisstation aus starten zu lassen. Dann plant der Roboter die optimale Reinigungsrouten und führt die Reinigungsaufgabe auf der Grundlage der erstellten Karte aus.



#### Hinweis:

- Um eine problemlose Rückkehr des Roboters zur Basisstation nach der Reinigung zu gewährleisten, empfiehlt es sich, den Roboter von der Basisstation aus starten zu lassen.
- Der Wischmopp wird gereinigt, bevor der Roboter mit dem Wischen beginnt, bitte warten Sie mit Geduld.
- Bewegen Sie die Basisstation, den Frischwasserbehälter, den Schmutzwasserbehälter oder das Waschbrettfilter während der Reinigung nicht.
- Die Heißwasserreinigung kann für die Reinigung von Wischpads in der App aktiviert werden, was für alle Modi gilt. Berühren Sie den Wasserauslass bei aktivierter Funktion nicht, um Verbrühungen zu vermeiden.

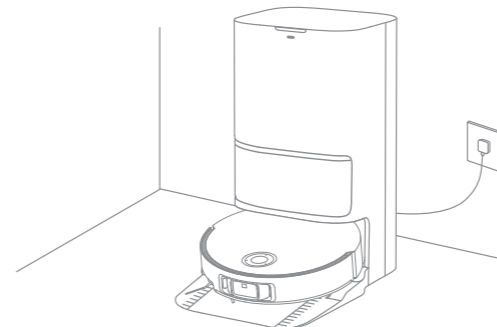
#### 2. Automatisches Waschen des Wischmopps

Während der Reinigung kehrt der Roboter automatisch zur Basisstation zurück, um die Wischmopps zu waschen, je nach der in der App festgelegten Häufigkeit der Wischmoppreinigung. Die Basisstation füllt automatisch den Wasserbehälter des Roboters auf und der Roboter setzt die Reinigung fort.



#### 3. Automatisches Entleeren des Staubbehälters und Waschen und Trocknen der Wischmopps

Nachdem der Roboter eine Reinigungsaufgabe erledigt hat und zum Aufladen zur Basisstation zurückkehrt, entleert die Basisstation automatisch den Staubbehälter. Anschließend wäscht und trocknet sie die Mopps.



#### Hinweis:

- Wenn die automatische Entleerungsfunktion in der App ausgeschaltet ist, leert die Basisstation den Staubbehälter nicht automatisch.
- Die Basisstation leert den Staubbehälter gemäß der Einstellung in der App.

#### 4. Reinigen Sie den Schmutzwasserbehälter

Nachdem der Roboter seine Aufgabe erfüllt hat, reinigen Sie bitte den Schmutzwasserbehälter, um Geruchsbildung zu vermeiden.

### Wischen nach dem Staubsaugen

Aktivieren Sie in der App die Funktion „Wischen nach dem Staubsaugen“. Der Roboter nimmt dann automatisch den Wischmopp an der Basisstation ab und staubsaugt den Boden. Nach Beendigung des Staubsaugens kehrt der Roboter zur Basisstation zurück, um die Mopp-Baugruppe zu installieren, und die Basisstation leert automatisch den Staubbehälter. Und dann beginnt der Roboter mit dem Wischen, nachdem die Hauptbürsten und die Seitenbürste angehoben wurden.

### Nur Staubsaugen

Aktivieren Sie in der App die Funktion „Staubsaugen“. Der Roboter nimmt dann automatisch die Mopp-Baugruppe von der Basisstation ab und beginnt mit dem Staubsaugen.

### Nur Wischen

Aktivieren Sie die Wischfunktion in der App, und der Roboter prüft automatisch, ob die Mopp-Baugruppe in der Basisstation installiert ist. Wenn nicht, installiert der Roboter die Wischeinheit und beginnt mit dem Wischen, nachdem die Hauptbürsten und die Seitenbürste angehoben wurden.

## Teile

Um den Roboter in einem einwandfreien Zustand zu halten, wird empfohlen, in der App oder in der folgenden Tabelle die Hinweise zur regelmäßigen Wartung des Zubehörs zu beachten.

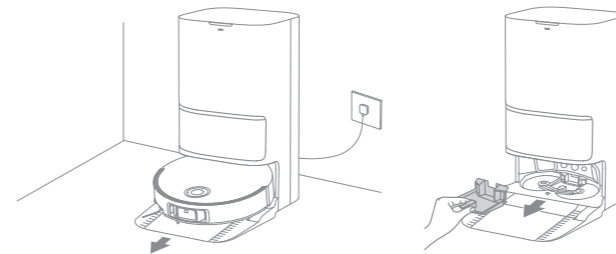
Teil	Wartungsintervall	Häufigkeit des Austausches
Schmutzwasserbehälter	Nach jedem Gebrauch	/
Reinwassertank	Einmal alle 2 Wochen	Alle 6 bis 12 Monate
Hauptbürsten		Alle 3 bis 6 Monate
Staubbehälterfilter		
Seitenbürste		/
Wischpadhalter		/
Waschplattenfilter	Einmal alle 1 bis 2 Monate	/
Signalbereich der Basisstation	Einmal im Monat	
Ladekontakte		
Automatisch entleerte Entlüftungsöffnungen		
Omnidirektionales Rad		
Randsensor		
VersaLift-Sensor		
3D-Doppellinien-Lasersensoren		
Teppichsensor		
Klippensensoren		

Teil	Wartungsintervall	Häufigkeit des Austausches
Stoßfängerfenster	Einmal im Monat	/
Stoßfänger		
Öffnung für automatisches Wassernachfüllen des Roboters		
Unterseite des Roboters		
Staubbehälter		
Haupträder	Nach Bedarf reinigen	/
Hilfs-Kletterräder		
Staubbeutel	Alle 2 bis 4 Monate	
Wischpads	Alle 1 bis 3 Monate	
Kalkschutzmittel	/	Alle 18 bis 36 Monate

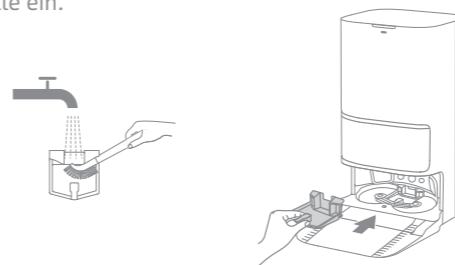
**Hinweis:** Die Häufigkeit der Wartung und des Ersatzes hängt von der tatsächlichen Nutzung ab. Sollte durch besondere Umstände eine Ausnahme auftreten, wird eine sofortige Wartung oder ein sofortiger Ersatz empfohlen.


## Waschplattenfilter

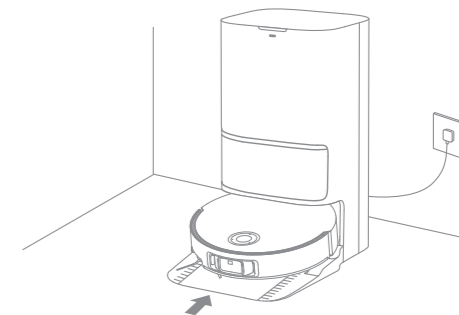
1. Nehmen Sie den Roboter heraus und entfernen Sie den Waschplattenfilter, nachdem die Reinigung des Wischpads abgeschlossen ist.



2. Spülen Sie den Waschplattenfilter mit sauberem Wasser ab, wischen Sie ihn sauber und setzen Sie ihn dann wieder in die Waschplatte ein.



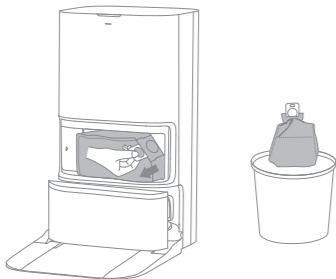
3. Verwenden Sie die App oder drücken Sie die Taste , um den Roboter zur Basisstation zurückzubringen, oder setzen Sie den Roboter manuell zurück.



## Regelmäßige Wartung

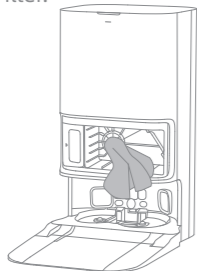
### Staubbeutel

1. Entfernen Sie die Staubbehälterabdeckung und entsorgen Sie den Staubbeutel.

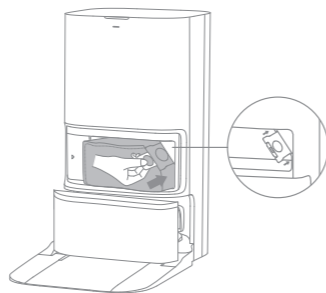


Hinweis: Wenn Sie den Griff nach oben ziehen, wird der Beutel verschlossen, damit Staub und Schmutz nicht versehentlich herausfallen können.

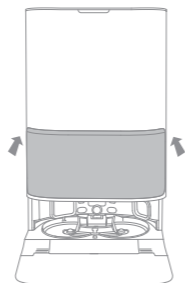
2. Entfernen Sie den Staub und die Verunreinigungen mit einem trockenen Tuch vom Filter.



3. Setzen Sie einen neuen Staubbeutel ein.



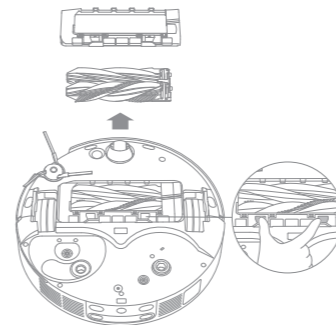
4. Bringen Sie die Staubbehälterabdeckung wieder an.



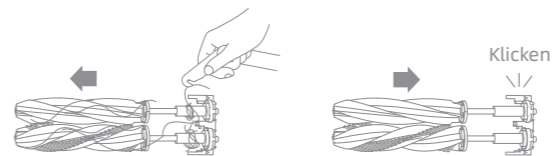
## Regelmäßige Wartung

### Hauptbürsten

1. Drücken Sie den Bürstenschutz-Clip nach innen, um den Bürstenschutz zu entfernen und die Bürste aus dem Roboter zu heben.

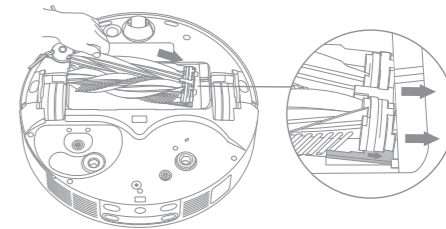


2. Ziehen Sie die Bürsten heraus, wie in der Abbildung gezeigt. Entfernen Sie mit dem mitgelieferten Reinigungswerkzeug alle in der Bürsten verhedderten Haare. Nach der Reinigung drücken Sie die Bürsten fest in den Hauptbürstenhalter, bis sie einrasten.

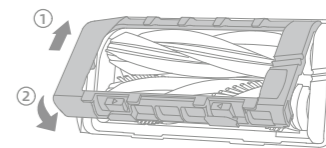


Hinweis: Gehen Sie beim Herausziehen der Hauptbürsten vorsichtig vor, um Verletzungen zu vermeiden.

3. Führen Sie den Hauptbürstenhalter mit den aufgedruckten Pfeilen, die nach oben zeigen, schräg nach unten in die Schlitz ein.



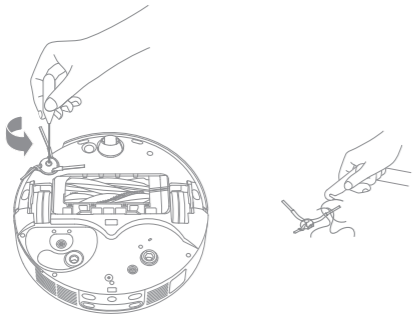
4. Richten Sie das vordere Ende des Bürstenschutzes am Schlitz aus, setzen Sie ihn schräg nach unten ein und drücken Sie ihn dann fest.



## Regelmäßige Wartung

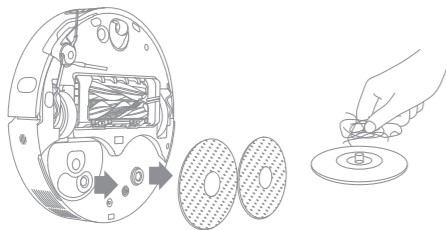
### Seitenbürste

Schrauben Sie die Seitenbürste mit einem Schraubenzieher ab, reinigen Sie die Haare von der Bürste und schrauben Sie sie wieder an.

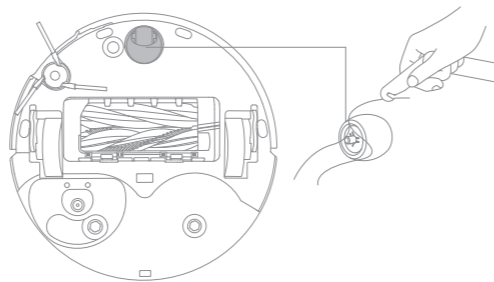


### Wischpadhalter

Entfernen und reinigen Sie die Wischpadhalter.



### Omnidirektionales Rad



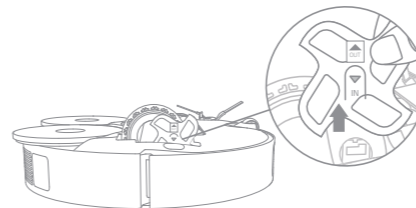
#### Hinweis:

- Trennen Sie die Achse und den Reifen des Rundumlaufwads mit einem Werkzeug, z. B. einem kleinen Schraubendreher. Üben Sie dabei keine übermäßige Kraft aus.
- Spülen Sie das omnidirektionale Rad unter fließendem Wasser ab und setzen Sie es nach dem vollständigen Trocknen wieder ein.

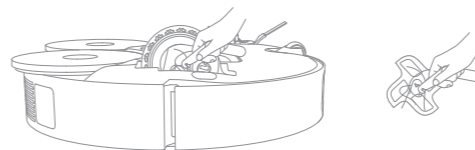
## Regelmäßige Wartung

### Hilfs-Kletterräder und Haupträder

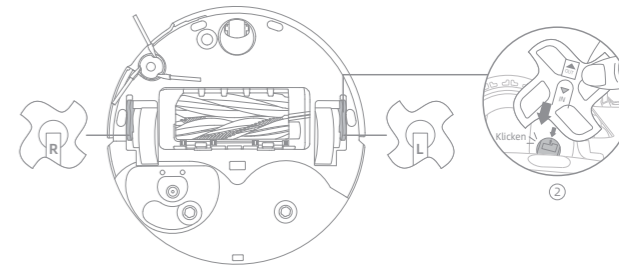
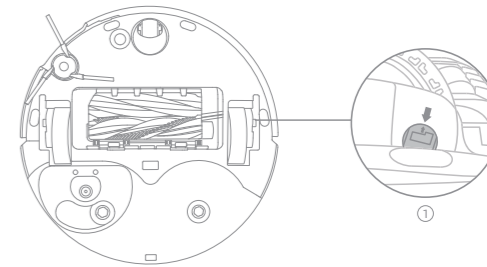
1. Drehen Sie das Hilfs-Kletterrad, bis der Pfeil „OUT“ nach oben zeigt, und ziehen Sie dann das Rad heraus.



2. Verwenden Sie ein geeignetes Werkzeug, um die Haare zu entfernen, die sich im Haupttrad und Hilfs-Kletterrad verheddert haben.



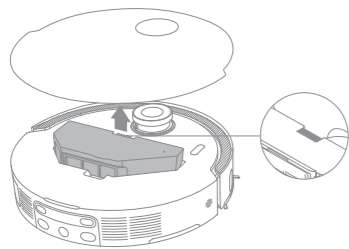
3. Drehen Sie nach der Reinigung das Haupttrad, um die beiden Pfeile auszurichten (siehe Abbildung ①). Stecken Sie dann mit dem „IN“-Pfeil nach unten das linke und rechte Zusatzsteigrad entsprechend ein, bis sie einrasten. (siehe Abbildung ②).



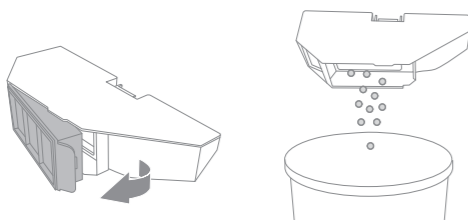
## Regelmäßige Wartung

### Staubbehälter und Filter

1. Entfernen Sie die Abdeckung des Roboters und drücken Sie den Staubbehälter-Clip, um den Staubbehälter zu entfernen.



2. Entfernen Sie den Staubbehälterfilter und leeren Sie anschließend den Staubbehälter.

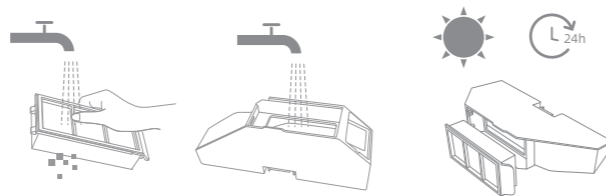


3. Klopfen Sie leicht auf den Korb des Filters, um den Schmutz zu entfernen.



**Hinweis:** Reinigen Sie den Filter niemals mit einer Bürste, einem Finger oder scharfen Gegenständen, um Schäden zu vermeiden.

4. Spülen Sie den Staubbehälter und den Filter mit Wasser ab und trocknen Sie sie vor dem Einbau vollständig ab.



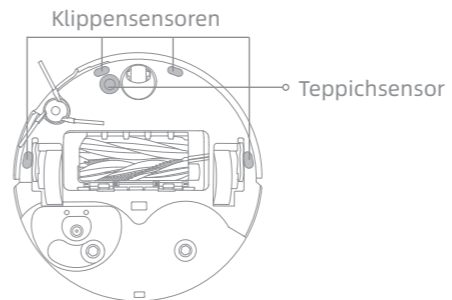
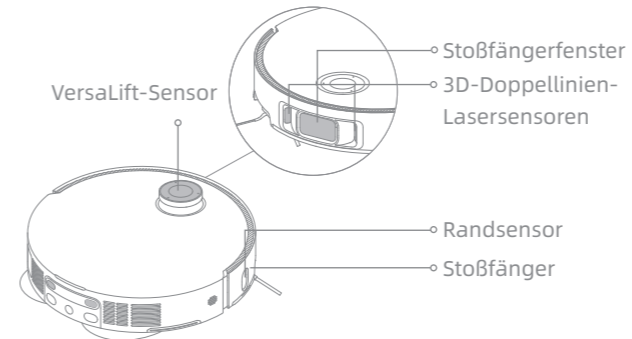
**Hinweis:**

- Spülen Sie den Staubbehälter und den Filter nur mit sauberem Wasser ab. Keine Reinigungsmittel verwenden.
- Verwenden Sie den Staubbehälter und den Filter nur, wenn sie vollständig trocken sind.

## Regelmäßige Wartung

### Roboter-Sensoren

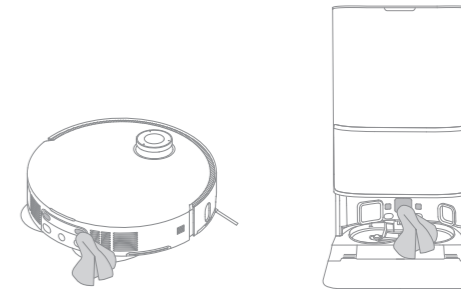
Wischen Sie die Roboter-Sensoren mit einem weichen und trockenen Tuch ab, wie in der folgenden Abbildung dargestellt:



**Hinweis:** Ein feuchtes Tuch kann empfindliche Elemente im Inneren des Roboters und der Basisstation beschädigen. Bitte nutzen Sie ein trockenes Tuch zur Reinigung.

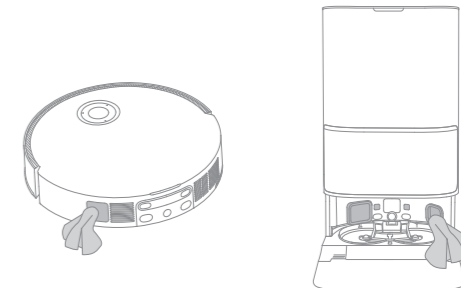
### Ladekontakte und Signalbereich

Reinigen Sie die Ladekontakte und den Signalisierungsbereich mit einem weichen, trockenen Tuch.



### Automatisch entleerte Entlüftungsöffnungen

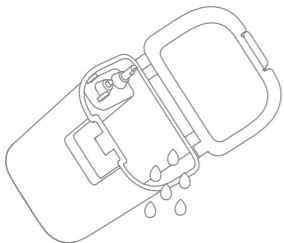
Reinigen Sie die automatisch entleerten Entlüftungsventile des Roboters und der Basisstation mit einem weichen, trockenen Tuch.



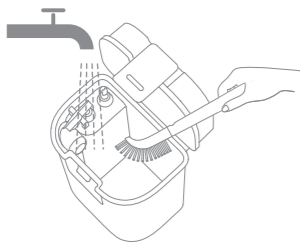
## Regelmäßige Wartung

### Schmutzwasserbehälter

1. Entfernen Sie den Schmutzwasserbehälter, öffnen Sie den Deckel und gießen Sie das Schmutzwasser aus.



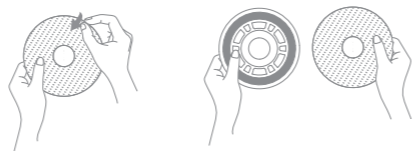
2. Spülen Sie den Schmutzwasserbehälter mit sauberem Wasser aus, und reinigen Sie die Innenwand des Schmutzwasserbehälters mit dem mitgelieferten Reinigungswerkzeug.



**Hinweis:** Gehen Sie beim Herausziehen der Hauptbürste vorsichtig vor, um Verletzungen zu vermeiden.

### Wischpads

Entfernen Sie die Wischpads aus den Wischpadhaltern, um sie auszutauschen.



### Akku

Der Roboter enthält einen leistungsstarken Lithium-Ionen-Akku. Sorgen Sie bei täglichem Gebrauch um eine ausreichende Ladung des Akkus, um eine optimale Akkuleistung zu erhalten. Schalten Sie den Roboter bei längerem Nichtgebrauch aus und verstauen Sie ihn. Laden Sie den Roboter mindestens einmal alle drei Monate auf, um Schäden durch Überentladung zu vermeiden.

## Fehleralarm

Problem	Lösung
Der Roboter lässt sich nicht einschalten.	Der Akku ist schwach. Laden Sie den Roboter an der Ladestation auf und versuchen Sie es dann erneut. Die Temperatur des Akkus ist zu niedrig oder zu hoch. Die empfohlene Betriebstemperatur des Geräts liegt zwischen 0 °C (32 °F) und 40 °C (104 °F).
Der Roboter lädt sich nicht auf.	Die Basisstation ist nicht an die Stromversorgung angeschlossen. Bitte stellen Sie sicher, dass beide Enden des Netzkabels korrekt angeschlossen sind. Der Kontakt zwischen den Ladekontakten an der Basisstation und dem Roboter ist schlecht, bitte reinigen Sie die Ladekontakte. Überprüfen Sie, ob sich an den Anschlüssen des Roboters Fremdkörper befinden, und entfernen Sie ggf. diese Fremdkörper.
Der Roboter kann keine Verbindung zum WLAN herstellen.	Das Passwort für das WLAN-Netzwerk ist falsch. Überprüfen Sie, ob das Passwort für die Verbindung mit Ihrem WLAN-Netzwerk korrekt ist. Der Roboter unterstützt keine 5 GHz-WLAN-Verbindung. Stellen Sie sicher, dass der Roboter mit einer 2,4-GHz-WLAN-Verbindung verbunden ist. Das WLAN-Signal ist schwach. Stellen Sie sicher, dass sich der Roboter in einem Gebiet mit guter WLAN-Abdeckung befindet. Der Roboter ist möglicherweise nicht für die Konfiguration bereit. Beenden Sie die App, starten Sie diese erneut, und versuchen Sie es dann noch einmal wie angewiesen.
Der Roboter findet nichts und kehrt zur Basisstation zurück.	Die Basisstation ist nicht an das Stromnetz angeschlossen oder wurde bewegt, während der Roboter nicht auf ihr steht. Bitte schließen Sie die Basisstation an das Stromnetz an oder stellen Sie den Roboter zum Aufladen auf die Basisstation. Es gibt zu viele Hindernisse um die Basisstation herum. Platzieren Sie die Basisstation in einen freistehenden Bereich. Wenn der Roboter bewegt wird, muss er sich möglicherweise neu positionieren, und er erstellt eine neue Karte, wenn die Neupositionierung fehlschlägt. Wenn der Roboter zu weit von der Basisstation entfernt ist, kann er möglicherweise nicht automatisch zurückkehren. In diesem Fall müssen Sie den Roboter manuell auf die Basisstation stellen. Wischen Sie den Signalisierungsbereich an der Basisstation ab, um Staub oder Schmutz zu entfernen.



Problem	Lösung
Der Roboter bleibt vor der Basisstation stecken und kann nicht zu ihr zurückkehren.	Prüfen Sie, ob auf beiden Seiten bzw. vor der Basisstation genügend Platz vorhanden ist, um ein Blockieren des Roboters zu verhindern. Der Weg für die Rückkehr zum Aufladen ist blockiert, z. B. die Tür ist geschlossen. Der Roboter kann wegrutschen, wenn der Boden vor der Basisstation übermäßig nass ist. Wenn dies der Fall ist, entfernen Sie zunächst das überschüssige Wasser, bevor Sie es erneut versuchen. Es wird empfohlen, die Basisstation an einen anderen Ort zu stellen und es erneut zu versuchen. Vergewissern Sie sich, dass die Rampenverlängerungsplatte richtig installiert ist.
Der Roboter lässt sich nicht ausschalten.	Der Roboter kann während des Ladevorgangs nicht ausgeschaltet werden. Zum Ausschalten des Roboters wird empfohlen, ihn von der Basisstation zu entfernen und die Taste (⏻) 3 Sekunden lang gedrückt zu halten. Wenn sich der Roboter durch Ausführen von Schritt 1 nicht ausschalten lässt, halten Sie die Taste (⏻) 10 Sekunden lang gedrückt, um ein Ausschalten des Roboters zu erzwingen. Wenn das Problem weiterhin besteht, wenden Sie sich bitte an den Kundendienst.
Die Aufladegeschwindigkeit ist langsam.	Bei niedrigem Akkuladestand dauert es etwa 4,5 Stunden, den Roboter vollständig aufzuladen. Wenn Sie den Roboter bei Temperaturen außerhalb des angegebenen Bereichs betreiben, wird die Ladegeschwindigkeit automatisch verlangsamt, um die Lebensdauer des Akkus zu verlängern. Die Ladekontakte sowohl am Roboter als auch an der Basisstation können verschmutzt sein, bitte wischen Sie sie mit einem trockenen Tuch ab.
Die Geräusche nehmen zu, während der Roboter in Betrieb ist.	Prüfen Sie, ob der Staubbehälterfilter verstopft ist. Wenn ja, reinigen Sie ihn oder ersetzen Sie ihn. Ein harter Gegenstand könnte in der Hauptbürsten oder im Staubbehälter eingeklemmt sein. Prüfen und entfernen Sie alle harten Gegenstände. Die Hauptbürsten oder die Seitenbürste kann sich verheddern. Prüfen und entfernen Sie alle Fremdkörper. Schalten Sie den Saugmodus auf Standard oder Leise.
Der Roboter bewegt sich, ohne der festgelegten Route zu folgen.	Gegenstände wie Stromkabel und Hausschuhe sollten vor dem Einsatz des Roboters aufgeräumt werden. Beim Einsatz auf nassen, rutschigen Oberflächen rutscht das Hauptrad durch. Es wird empfohlen, die nassen Stellen vor dem Einsatz des Roboters zu trocknen. Wischen Sie das Stoßfängerfenster und die 3D-Doppellinien-Lasersensoren des Roboters mit einem sauberen, weichen Tuch ab, um sie sauber und funktionsfähig zu halten.

Problem	Lösung
Der Roboter kann die zu reinigenden Räume nicht erreichen.	Stellen Sie sicher, dass die Türen der zu reinigenden Räume offen sind. Der Boden vor dem zu reinigenden Zimmer kann nass und rutschig sein, so dass der Roboter wegrutscht und nicht ordnungsgemäß funktioniert. Trocknen Sie den Boden, bevor Sie den Roboter benutzen.
Der Roboter nimmt die Reinigung nach dem Laden nicht wieder auf.	Vergewissern Sie sich, dass der Roboter nicht auf den Nicht-Stören-Modus (DND) eingestellt ist, da er dann die Reinigung nicht fortsetzen kann. Der Roboter setzt die Reinigung nicht fort, nachdem Sie den Roboter manuell auf die Basisstation gestellt haben oder den Roboter über die App oder durch Drücken der Taste zum Aufladen geschickt haben (⏻).
Die Station kann den Staubbehälter nicht automatisch leeren.	Prüfen Sie, ob der Staubbeutel im Staubbehälter voll ist. Wenn der Staubbeutel nicht voll ist, prüfen Sie, ob die automatisch entleerten Entlüftungsöffnungen des Roboters, der Basisstation oder des Staubbehälters verstopft sind. Falls ja, beseitigen Sie die Verstopfung rechtzeitig.
Der Wasserstand der Waschplatte ist nicht normal.	Überprüfen Sie, ob die Dichtung am Schmutzwasserbehälter lose oder nicht richtig installiert ist, und setzen Sie sie gegebenenfalls manuell zurück. Wenn das Problem weiterhin besteht, wenden Sie sich bitte an den Kundendienst. Drücken Sie vorsichtig auf Schmutzwasserbehälter, um sicherzustellen, dass er richtig installiert ist. Nehmen Sie den Waschplattenfilter heraus und prüfen Sie, ob der Abwasserabflussanschluss verstopft ist, und reinigen Sie ihn. Überprüfen Sie die Reinigungsflüssigkeit. Fügen Sie keine anderen Flüssigkeiten als die offiziell zugelassene Reinigungsflüssigkeit hinzu.
Der Wischpadhaltet ist abnormal angehoben.	Bitte entfernen Sie den Wischpadhalter, prüfen Sie, ob sich ein Fremdkörper darin befindet, und starten Sie den Roboter neu. Wenn das Problem weiterhin besteht, wenden Sie sich bitte an den Kundendienst.
Unter dem Frischwasserbehälter oder um die Dichtung herum befindet sich Wasser.	Wenn Sie den Frischwasserbehälter herausnehmen, kann etwas Wasser in der Leitung unter dem Behälter oder um die Dichtung herum zurückbleiben. Die ist normal. Wischen Sie es bitte mit einem trockenen Tuch ab.

Bei weiteren Fragen wenden Sie sich bitte an <https://global.dreametech.com>

## Roboter

Modell	RLL84CE
Ladezeit	Ca. 4,5 Stunden
Nennspannung	14,4 V $\overline{=}$
Nennleistung	75 W
Betriebsfrequenz	2400-2483,5 MHz
Maximale Ausgangsleistung	< 20 dBm

Unter normalen Einsatzbedingungen muss dieses Gerät in einem Abstand von mindestens 20 cm zwischen der Antenne und dem Körper des Benutzers gehalten werden.

## Basisstation

Modell	RCLE0101
Nenneingang	220-240 V ~ 50-60 Hz
Nennausgang	20 V $\overline{=}$ 2 A
Nennleistung (beim Staubentleeren)	700 W
Nennleistung (während der Heißwasserreinigung)	1160 W
Nennleistung (während des Ladens und Trocknens)	87 W

Hinweis:

- Die Nennleistung (während der Heißwasserreinigung) wird durch den Leistungswert während des angegebenen Zeitraums (Wassertemperatur 25 °C) bestimmt.
- Die Nennleistung (beim Lade- und Trocknungsvorgang) wird durch den Leistungswert während der Vollastperiode bestimmt.

## Entsorgung und Entfernung von Batterien

Die eingebaute Lithium-Ionen-Batterie enthält umweltgefährdende Substanzen. Stellen Sie vor der Entsorgung der Batterie sicher, dass die Batterie von qualifizierten Technikern entfernt und in einer geeigneten Recyclinganlage entsorgt wird.

- Der Akku muss vor der Entsorgung aus dem Gerät entfernt werden;
- Das Gerät muss beim Entfernen des Akkus vom Stromnetz getrennt werden;
- Der Akku muss sicher entsorgt werden.

**ACHTUNG:**

Bevor Sie den Akku entfernen, trennen Sie die Stromversorgung und lassen Sie den Akku komplett leer laufen.

Nicht benötigte Batterien sollten in einer geeigneten Recyclinganlage entsorgt werden.

Lassen Sie den Akku nicht in einer Umgebung mit extrem hohen Temperaturen, um Explosionsrisiken zu vermeiden.

Unter missbräuchlicher Verwendung kann Flüssigkeit aus der Batterie ausgestoßen werden. Wenn Sie aus Versehen anfassen, spülen Sie mit Wasser und suchen Sie medizinische Hilfe.

**Anleitung zum Herausnehmen:**

1. Drehen Sie den Roboter um, entfernen Sie mit einem geeigneten Werkzeug die Schrauben auf der Rückseite des Roboters und nehmen Sie dann die Abdeckung ab.
2. Lösen Sie die Klemmen zwischen dem Akku und der Leiterplatte, um den Akku zu entfernen.



Das Symbol auf dem Produkt oder der Verpackung bedeutet, dass das Produkt einer getrennten Erfassung für elektrische und elektronische Geräte zugeführt werden muss und nicht über den normalen Haushaltsabfall entsorgt werden darf. Bitte entnehmen Sie Batterien und Lampen, die nicht vom Gerät umschlossen sind, vor der Abgabe aus dem Gerät und entsorgen diese über die offiziellen Sammelstellen für Batterien und Lampen.

Beim Kauf eines neuen Elektrogerätes können Sie beim Vertreiber ein gleichartiges Altgerät unentgeltlich zurückgeben. Elektrogeräte mit einer Kantenlänge von maximal 25 cm können unentgeltlich bei Vertreibern von Elektro- und Elektronikgeräten mit einer Verkaufsfläche von mindestens 400 m<sup>2</sup> sowie in Geschäften des Lebensmittelhandels (z.B. Supermärkten, Lebensmitteldiscountern, Drogerien) mit einer Gesamtverkaufsfläche von mindestens 800 m<sup>2</sup>, die mehrmals im Kalenderjahr oder dauerhaft Elektro- und Elektronikgeräte anbieten und auf dem Markt bereitstellen, abgegeben werden, ohne dass ein Neugerät erworben werden muss. Größere Elektrogeräte können kostenlos bei kommunalen Wertstoffhöfen abgegeben werden.

Durch die korrekte Entsorgung tragen Sie dazu bei, negative Auswirkungen auf die Umwelt und die menschliche Gesundheit zu vermeiden, die durch unsachgemäße Erfassung und Behandlung von Elektroaltgeräten entstehen können.

Bitte löschen Sie sämtliche personenbezogenen Daten auf dem Gerät, bevor Sie es entsorgen.

Für weitere Informationen kontaktieren sie bitte Ihre Kommunalverwaltung, Ihren örtlichen Abfallentsorger oder das Geschäft, in dem Sie das Produkt erworben haben.

## Informations sur la sécurité

Pour éviter tout risque d'électrocution, de départ de feu ou de blessures lié à une utilisation non conforme de l'appareil, veuillez attentivement lire le mode d'emploi avant d'utiliser l'appareil et le conserver pour toute référence ultérieure.

### Restrictions d'utilisation

- Ce produit ne doit pas être utilisé par des enfants âgés de moins de 8 ans et des personnes ayant un handicap physique, sensoriel ou intellectuel, ou une connaissance ou une expérience limitée sans la surveillance d'un parent ou d'un tuteur pour assurer un fonctionnement en toute sécurité et éviter les risques. Les opérations de nettoyage et d'entretien ne doivent pas être effectuées par les enfants sans supervision.
- L'appareil ne doit être utilisé qu'avec le bloc d'alimentation fourni avec l'appareil.
- Cet appareil contient des batteries qui ne peuvent être remplacées que par des personnes qualifiées.
- Dégagez la surface à nettoyer. Les enfants ne doivent pas jouer avec l'appareil. Assurez-vous que les enfants et animaux de compagnie se tiennent à distance du robot en fonctionnement.
- Évitez d'installer, de charger ou d'utiliser l'appareil dans les salles de bains ou autour des piscines.
- Ce produit est conçu pour nettoyer le sol dans un environnement domestique uniquement. Ne l'utilisez pas à l'extérieur, sur des surfaces brutes, ou dans un milieu industriel ou commercial.
- Assurez-vous que l'appareil fonctionne correctement dans un environnement approprié. Sinon, n'utilisez pas l'appareil.
- Si le cordon d'alimentation est endommagé, il doit être remplacé par un assemblage ou cordon spécial disponible auprès du fabricant ou de son réparateur agréé.

## Informations sur la sécurité

### Restrictions d'utilisation

- N'utilisez pas le robot dans un espace suspendu au-dessus du sol sans barrière de protection.
- Ne renversez pas le robot. N'utilisez pas le couvercle LDS, le couvercle du robot ou le pare-chocs comme poignée pour tenir le robot.
- Utilisez le robot dans des environnements à une température ambiante supérieure à 0 °C et inférieure à 40 °C. Assurez-vous qu'il n'y a pas de liquide ou de substance collante sur le sol.
- Pour éviter tout risque de dommage ou blessure causés par un raclement, retirez tous les objets mobiles du sol, ainsi que les câbles ou cordons d'alimentation sur l'itinéraire de nettoyage avant de faire fonctionner l'appareil.
- Retirez les objets fragiles ou de petite taille présents sur le sol pour empêcher le robot de les heurter ou de les endommager.
- Tenez les cheveux, les doigts et toute autre partie du corps éloignés de l'orifice d'aspiration du robot.
- Gardez l'outil de nettoyage hors de la portée des enfants.
- N'utilisez pas l'appareil dans une pièce où un nourrisson ou un enfant dort.
- Ne placez pas un enfant, un animal domestique ou tout objet sur le robot, qu'il soit en marche ou à l'arrêt.
- Vous pouvez uniquement verser de l'eau propre et la solution de nettoyage agréée dans le réservoir d'eau propre. N'ajoutez pas un autre liquide tel que de l'alcool ou un désinfectant. Le rapport entre la solution de nettoyage et l'eau propre figure sur le flacon de solution de nettoyage. Gardez la solution de nettoyage hors de la portée des enfants.

## Informations sur la sécurité

### Restrictions d'utilisation

- N'utilisez pas le robot pour nettoyer des objets qui brûlent. N'utilisez pas le robot pour ramasser des liquides combustibles ou inflammables, des gaz corrosifs ou des acides ou des solvants non dilués.
  - N'aspirez pas d'objets durs ou tranchants. N'utilisez pas l'appareil pour ramasser des objets tels que des cailloux, des gros morceaux de papier ou tout objet susceptible d'obstruer l'appareil.
  - La fiche doit être débranchée de la prise avant de nettoyer ou d'entretenir l'appareil.
  - N'essuyez pas le robot ou la station de base avec un chiffon humide et ne les rincez pas avec un liquide. Après le nettoyage des pièces lavables, séchez-les complètement avant de les réinstaller et de les utiliser.
  - Veuillez utiliser ce produit conformément aux instructions présentes dans le monde d'emploi. Les utilisateurs sont responsables de toute perte ou de tout dommage occasionné par une utilisation non conforme de ce produit.
- ### Batteries et recharge
- N'utilisez pas de batterie ou de station de base tierce. Le robot ne peut être utilisé qu'avec la station de base RCLE0101.
  - N'essayez pas de démonter, de réparer ou de modifier la batterie ou la station de base vous-même.
  - Ne placez pas la station de base à proximité d'une source de chaleur.
  - N'utilisez pas un chiffon mouillé ou et ne manipulez pas l'appareil les mains humides pour essuyer ou nettoyer les contacts de charge de la station de base.
  - N'éliminez pas les batteries usagées de manière inappropriée. Les batteries non utilisées doivent être mises au rebut dans un centre de recyclage approprié.

## Informations sur la sécurité

### Batteries et recharge

- Si le cordon d'alimentation est endommagé ou coupé, arrêtez de l'utiliser immédiatement et contactez le service après-vente.
- Assurez-vous que le robot est éteint lorsque vous le transportez et rangez-le dans son emballage d'origine si possible.
- Si le robot n'est pas utilisé pendant une longue période, chargez-le complètement, puis éteignez-le et rangez-le dans un endroit sec et frais. Rechargez le robot au moins tous les 3 mois pour ne pas trop décharger la batterie.

### Informations de sécurité sur le laser

- Le capteur laser de ce produit répond à la norme IEC 60825-1:2014/EN 60825-1:2014/A11:2021 des appareils à laser de classe 1. Veuillez éviter de regarder directement le laser pendant l'utilisation.

APPAREIL À LASER DE CLASSE 1

APPAREIL À LASER DESTINÉ AU GRAND PUBLIC

EN 50689:2021



Pour un usage en intérieur uniquement

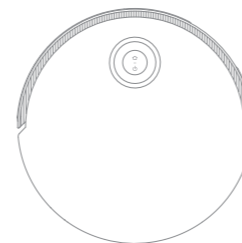


Lire le mode d'emploi

Par le présent document, Dreame Trading (Tianjin) Co., Ltd. déclare que le modèle d'équipement radio RLL84CE répond à la directive 2014/53/UE. L'intégralité du texte de la déclaration UE de conformité est disponible à l'adresse Internet suivante : <https://global.dreame.tech.com>  
Pour consulter le mode d'emploi en ligne, veuillez accéder à <https://global.dreame.tech.com/pages/user-manuals-and-faqs>

## Présentation du produit

### Contenu de l'emballage

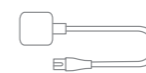


Robot



Station de base

### Autres accessoires



Cordon d'alimentation



Plaque d'extension de rampe de la station de base



Mode d'emploi



Compartiment de détergent automatique (préinstallé)



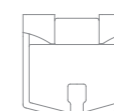
Sac à poussière x 2 (1 préinstallé)



Serpillière x 2 (préinstallées)



Support de serpillière x 2



Filtre de la planche à laver (préinstallé)

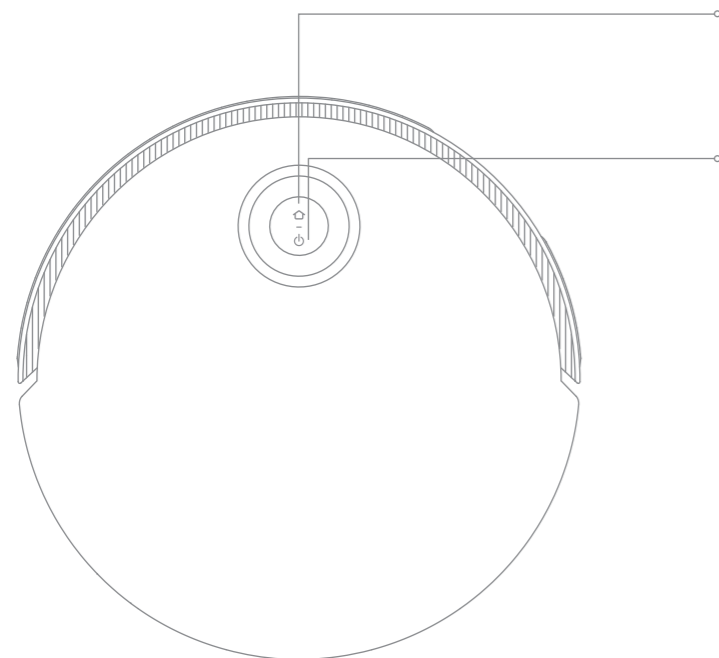


Solution de nettoyage



Outil de nettoyage

## Robot



- 🏠 **Bouton Station de base**
  - Appuyez pour renvoyer le robot à la station de base
  - Appuyez et maintenez enfoncé pendant 3 secondes pour désactiver le Verrouillage enfants

- 🔌 **Bouton Nettoyage/Alimentation**
  - Appuyez et maintenez enfoncé pendant 3 secondes pour allumer ou éteindre
  - Appuyez pour commencer le nettoyage une fois le robot allumé

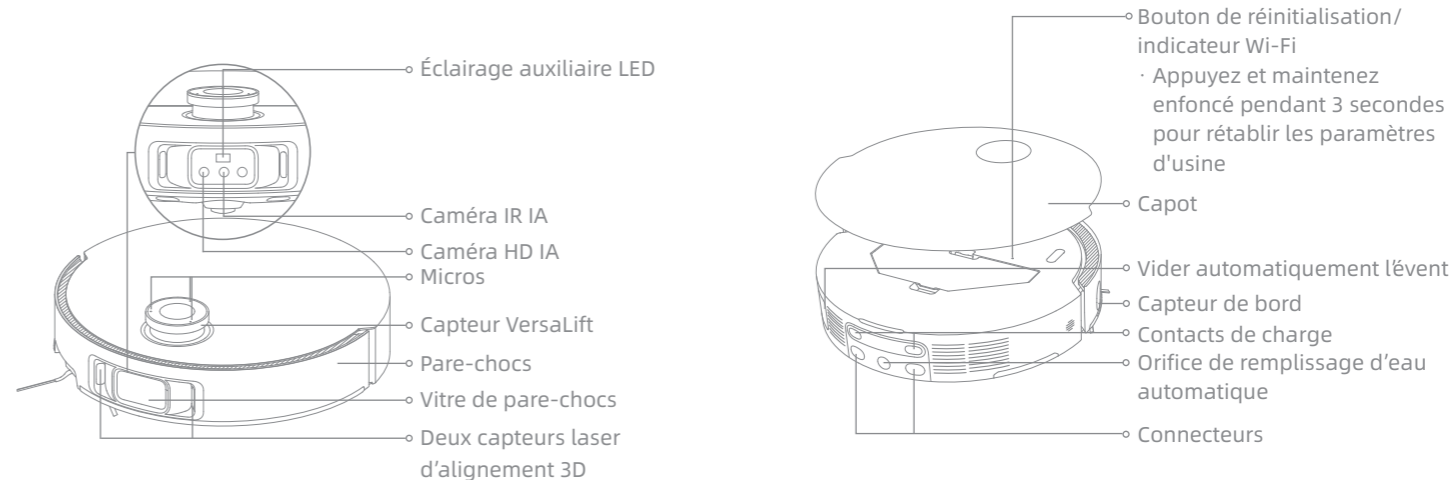
- Indicateur d'état circulaire**
- Bleu fixe : Nettoyage ou lavage terminé
  - Vert fixe : Mise en charge
  - Orange clignotant : Erreur

- Voyant d'état de bouton**
- Blanc fixe : Nettoyage ou lavage terminé
  - Clignote lentement en blanc : En charge (pas de batterie faible)
  - Orange fixe : En veille avec batterie faible ou en pause avec batterie faible
  - Clignote lentement en orange : En charge (batterie faible)
  - Orange clignotant : Erreur
  - Rose clignotant : Caméra activée

**Remarque :**

- Appuyez sur n'importe quel bouton du robot pour faire une pause pendant que le robot nettoie ou revient pour se charger.
- Le Verrouillage enfants peut être activé et désactivé avec l'application Dreamehome.

## Robot et capteurs



Éclairage auxiliaire LED

Caméra IR IA

Caméra HD IA

Micros

Capteur VersaLift

Pare-chocs

Vitre de pare-chocs

Deux capteurs laser d'alignement 3D

- Bouton de réinitialisation/indicateur Wi-Fi
- Appuyez et maintenez enfoncé pendant 3 secondes pour rétablir les paramètres d'usine

Capot

Vider automatiquement l'évent

Capteur de bord

Contacts de charge

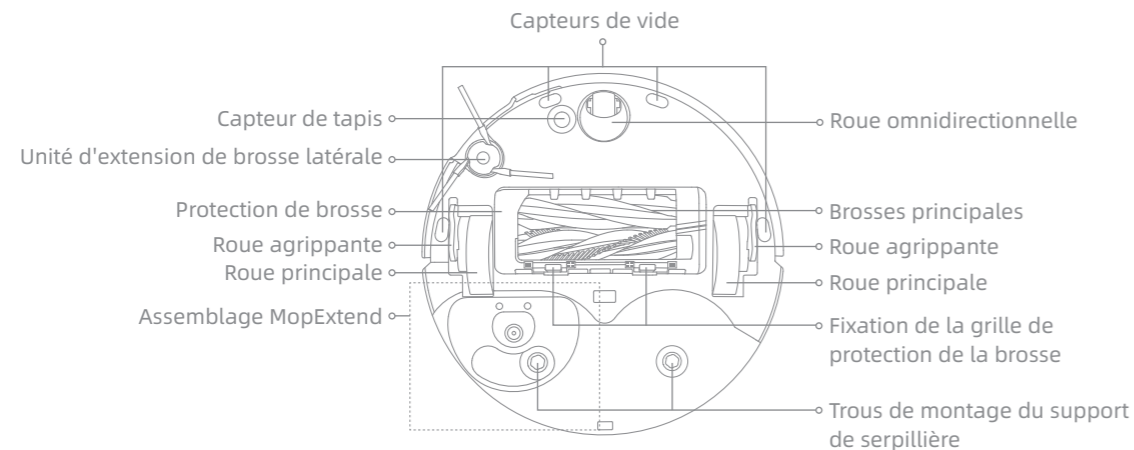
Orifice de remplissage d'eau automatique

Connecteurs

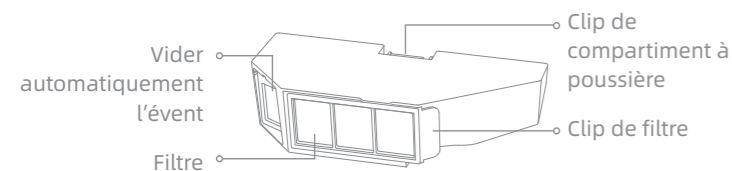
**Remarque :** Le capteur VersaLift sera abaissé lorsque le robot est en mode veille, en charge sur la station de base ou lorsqu'il nettoie des zones à faible dégagement. En cas de nettoyage de zones à faible dégagement, ne déplacez pas le robot car cela pourrait affecter son positionnement.

## Présentation du produit

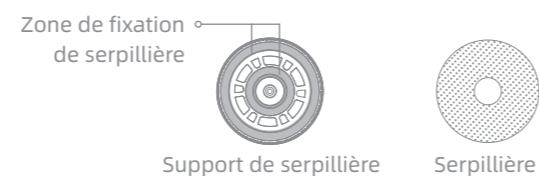
## Robot et capteurs



## Compartiment à poussière

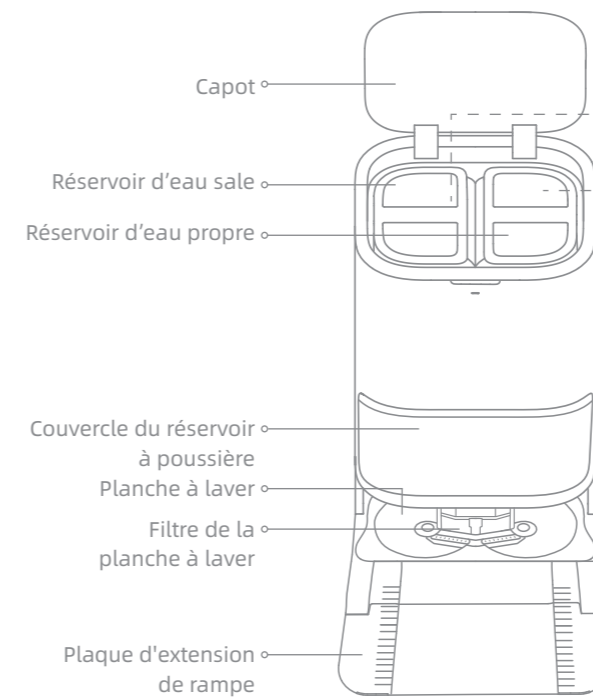


## Unité de serpillière

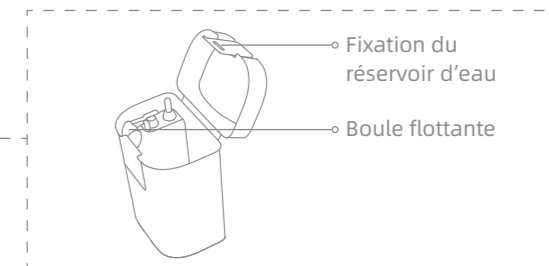


## Présentation du produit

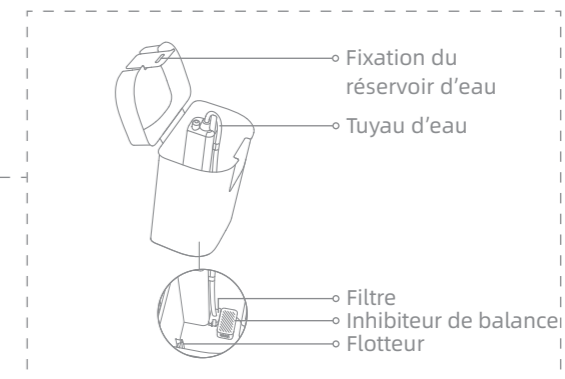
## Station de base



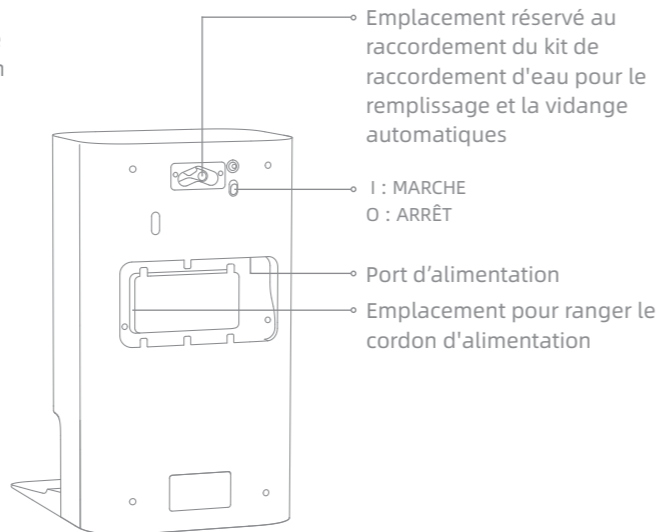
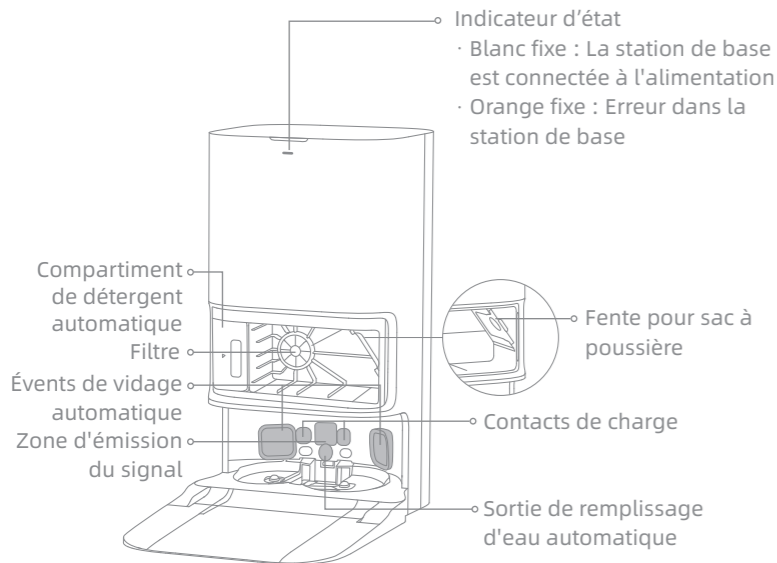
## Réservoir d'eau sale



## Réservoir d'eau propre



## Station de base

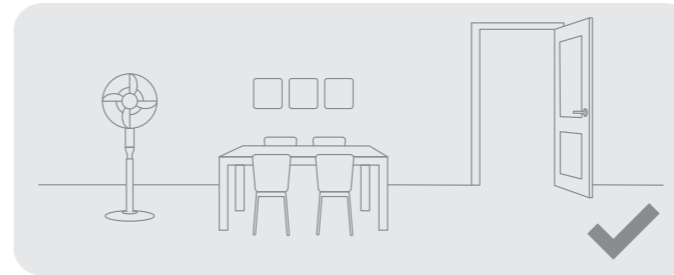


**Remarque :** Le kit de raccordement à l'eau pour le remplissage et la vidange automatiques doit être acheté séparément. (Disponible uniquement dans certaines régions)

## Préparer son intérieur



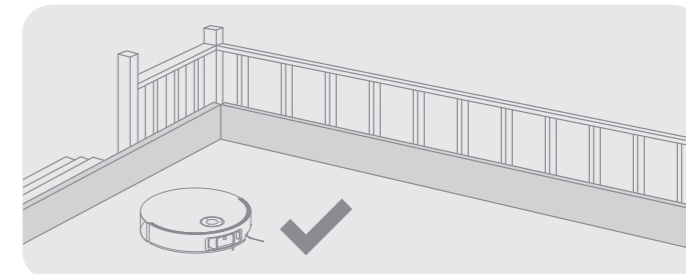
Avant de procéder au nettoyage, éloignez les objets instables, fragiles, précieux ou dangereux, et ramassez les câbles, les chiffons, les jouets, les objets durs et pointus qui se trouvent sur le sol, afin d'éviter que le robot ne les emmêle, ne les raye ou ne les renverse, ce qui entraînerait des pertes.



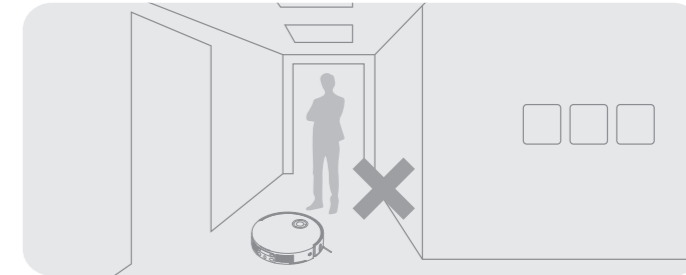
Ouvrez la porte de la pièce à nettoyer et placez les meubles dans un espace approprié pour laisser plus d'espace.

**Remarque :**

- À la première utilisation du robot, suivez-le pendant qu'il nettoie afin de retirer tout obstacle éventuel à temps.
- L'éclairage auxiliaire LED fournira un éclairage d'appoint dans les environnements faiblement éclairés.
- N'aspirez pas des objets durs tels que des cailloux, des boules en acier et des pièces de jouet, ou des objets tranchants tels que des déchets de construction, du verre brisé et des clous, sinon cela peut rayer le sol.



Avant le nettoyage, placez une barrière physique au bord de l'escalier pour garantir la sécurité et le bon fonctionnement du robot.



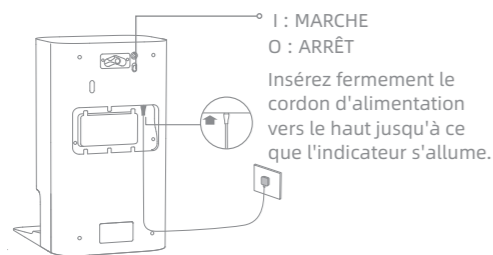
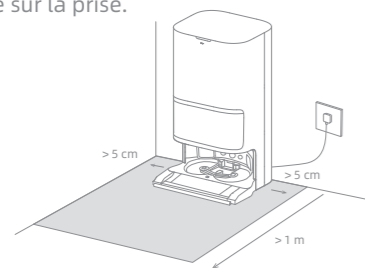
Pour permettre au robot de bien identifier les zones qui doivent être nettoyées, ne restez pas devant le robot, un seuil, un couloir ou des endroits étroits.



## Avant l'utilisation

### 1. Placer la station de base et la brancher sur une prise électrique

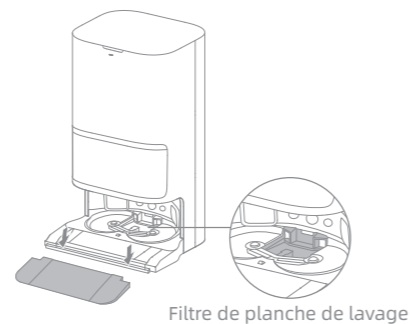
Placez la station de base dans un endroit le plus dégagé possible et disposant d'un signal Wi-Fi satisfaisant. Libérez suffisamment d'espace, comme montré sur le schéma, et retirez tous les objets de la zone obscurcie. Insérez le cordon d'alimentation dans la station de base et branchez-le sur la prise.



#### Remarque :

- Assurez-vous qu'aucun objet ne bloque la zone d'émission du signal.
- Pour éviter que l'eau ne mouille les parquets ou les tapis, il est recommandé d'installer la station de base sur des sols en carrelage ou en marbre.

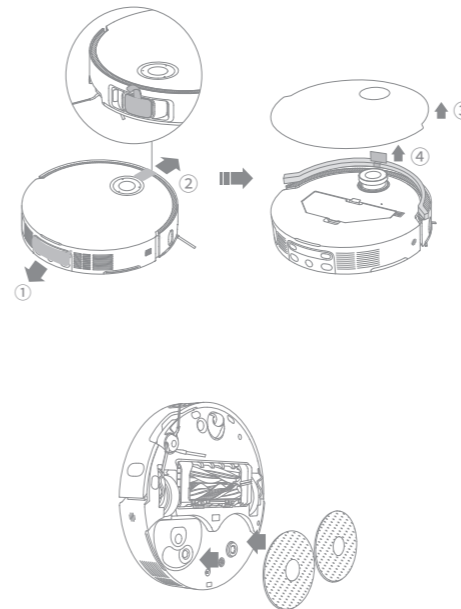
### 2. Installer la plaque d'extension de rampe



Remarque : Vérifiez que le filtre de la planche à laver est correctement installée.

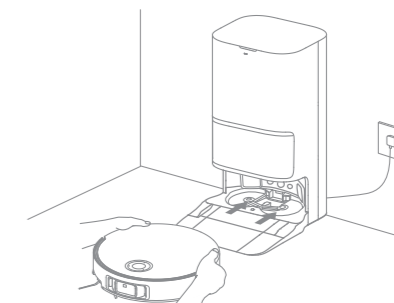
## Avant l'utilisation

### 3. Retirer les protections du robot et installer l'unité de serpillière



### 4. Connecter le robot à la station de base

Maintenez le bouton du robot enfoncé (⏻) pendant 3 secondes pour l'allumer. Placez le robot sur la station de base avec l'unité de serpillière orientée vers la planche à laver. Une notification vocale est émise lorsque le robot est bien connecté à la station de base. Une fois le robot complètement chargé, les indicateurs d'état sur le robot et sur la station de base resteront allumés pendant 10 minutes, puis diminueront en luminosité.



Remarque : Il est conseillé de charger complètement le robot avant la première utilisation. Quand le robot ne peut pas être activé lorsque la batterie est déchargée, connectez manuellement le robot à la station pour le recharger.

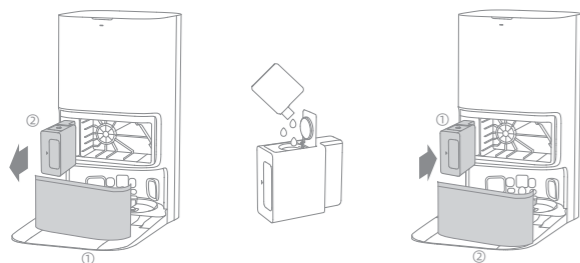
## Avant l'utilisation

### 5. Ajouter la solution de nettoyage

(1) Retirez le couvercle du compartiment à poussière et retirez le compartiment de détergent.

(2) Ouvrez le couvercle supérieur du compartiment et ajoutez la solution de nettoyage.

(3) Fermez le couvercle du compartiment, remettez-le dans la station de base, puis remplacez le couvercle du réservoir à poussière. La solution de nettoyage sera automatiquement ajoutée pendant le fonctionnement.

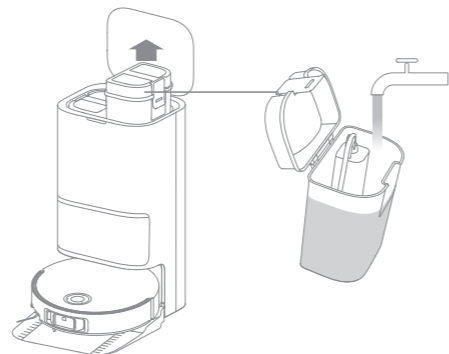


#### Remarque :

- Le compartiment de détergent automatique peut être rempli de solution de nettoyage. N'ajoutez pas de liquide autre que la solution de nettoyage approuvée pour éviter toute défaillance.
- Installez le compartiment de détergent automatique en veillant à bien l'engager.

### 6. Verser l'eau dans le réservoir d'eau propre

Retirez le réservoir d'eau propre de la station de base et remplissez-le d'eau propre. Puis remettez-le en place dans la station de base.

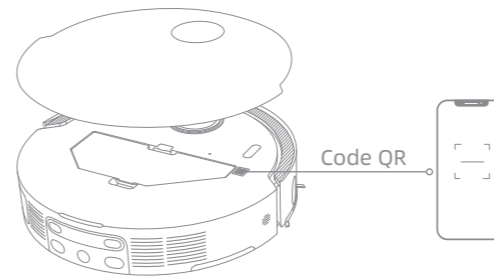


Remarque : Ne versez pas d'eau chaude dans le réservoir d'eau car cela peut le déformer.

## Connexion à l'application Dreamehome

### 1. Télécharger l'application Dreamehome

Retirez le couvercle du robot et scannez le code QR sur le robot ou recherchez « Dreamehome » dans l'App Store pour télécharger et installer l'application.



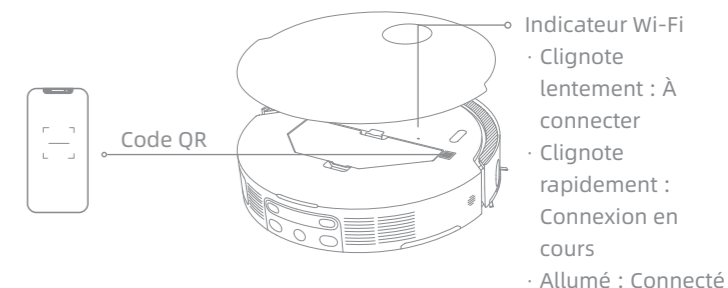
#### Remarque :

- Seul le réseau Wi-Fi 2,4 GHz est reconnu.
- Le logiciel d'application étant soumis à des mises à jour, les opérations réelles peuvent donc différer des instructions de ce manuel. Veuillez suivre les instructions selon la version actuelle de l'application.

### 2. Ajouter un appareil



Ouvrez l'application Dreamehome, appuyez sur « Scannez le code QR pour vous connecter » et scannez à nouveau le même code QR sur le robot pour ajouter l'appareil. Suivez les messages d'instructions pour terminer la connexion Wi-Fi.

Remarque : Si vous souhaitez réinitialiser le Wi-Fi, répétez l'étape 2, puis suivez les instructions pour terminer la connexion Wi-Fi.



## Mode d'utilisation

### Allumer/Éteindre

Appuyez et maintenez le bouton  enfoncé pendant 3 secondes pour allumer le robot. L'indicateur d'état reste allumé. Ou, placez le robot sur la station de base en alignant les contacts de charge du robot avec ceux de la station. Le robot s'allumera automatiquement pour commencer la charge. Pour éteindre le robot, éloignez-le de la station de base et maintenez le bouton  enfoncé pendant 3 secondes.

### Cartographie rapide

Après avoir configuré le réseau pour la première fois, suivez les instructions de l'application pour créer rapidement une carte. Le robot commencera à cartographier sans nettoyage. Lorsque le robot retourne à la station de base, le processus de cartographie est terminé et la carte sera automatiquement enregistrée.

### Pause/Veille

Lorsque le robot fonctionne, appuyez sur n'importe quel bouton pour le mettre en pause.

Si le robot est mis en pause pendant plus de 10 minutes, il passe automatiquement en mode veille. Tous les indicateurs sur le robot s'éteindront. Appuyez sur n'importe quel bouton du robot, ou utilisez l'application pour réactiver le robot.

**Remarque :** Si le robot est mis en pause et placé sur la station de recharge, la tâche de nettoyage en cours se terminera.

### Reprise automatique du nettoyage

Si la batterie est trop faible, le robot retournera automatiquement à la station de base pour se recharger. Après avoir rechargé la batterie au niveau approprié, il reprendra les tâches de nettoyage inachevées.

**Remarque :** pour utiliser cette fonction, veuillez l'activer dans l'application.



### Mode Ne pas déranger (DND)

Lorsque le robot est réglé sur le mode Ne pas déranger (DND), il lui sera impossible de reprendre le nettoyage. Le mode DND est désactivé par défaut à l'usine. Vous pouvez utiliser l'application pour activer le mode DND ou modifier la période DND. La période DND est de 22h00 à 8h00 par défaut.

**Remarque :**

- Les tâches de nettoyage planifiées seront effectuées comme d'habitude pendant la période DND.
- Le robot reprendra le nettoyage là où il s'est arrêté à la fin de la période DND.

### Redémarrage du robot


Si le robot ne répond plus ou ne peut pas être éteint, maintenez le bouton  enfoncé pendant 10 secondes pour le forcer à s'éteindre. Puis maintenez le bouton  enfoncé pendant 3 secondes pour allumer le robot.

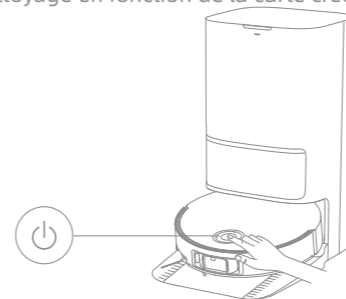
## Mode d'utilisation

### Aspiration et nettoyage

**Remarque :** Lors de la première utilisation de l'unité de serpillière, le robot effectue la tâche « Aspiration et nettoyage » par défaut.

#### 1. Commencer le nettoyage

Appuyez sur le bouton  du robot, ou utilisez l'application pour faire démarrer le robot à partir de la station de base. Ensuite, le robot planifiera l'itinéraire de nettoyage optimal et effectuera la tâche de nettoyage en fonction de la carte créée.

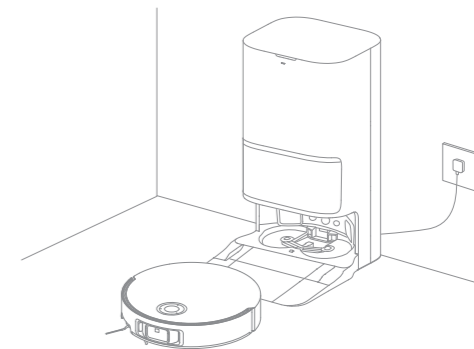


**Remarque :**

- Pour s'assurer que le robot retourne facilement à la station de base après le nettoyage, il est recommandé de faire démarrer le robot à partir de la station de base.
- Les serpillières seront nettoyées avant que le robot ne commence à nettoyer, veuillez patienter.
- Ne déplacez pas la station de base, le réservoir d'eau propre, le réservoir d'eau sale ou la planche à laver pendant toute utilisation.
- Le nettoyage à l'eau chaude peut être activé dans l'application pour les tâches de lavage de serpillière. Cela s'applique à tous les modes. Pour éviter les brûlures, ne touchez pas la sortie d'eau lorsque la fonction est activée.

#### 2. Lavage automatique des serpillières

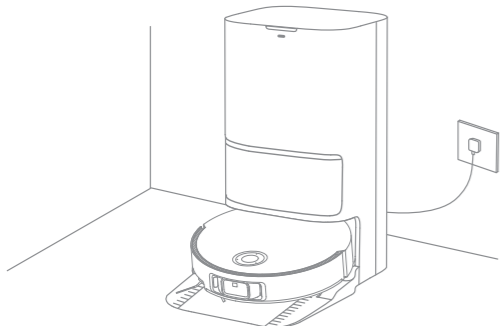
Lors du nettoyage, le robot retournera automatiquement à la station de base pour laver les serpillières en fonction de la fréquence de nettoyage spécifiée des serpillières dans l'application. La station de base remplira automatiquement le réservoir d'eau du robot et le robot reprendra le nettoyage.



## Mode d'utilisation

### 3. Vider automatiquement la compartiment à poussière, puis laver et sécher les serpillières

Une fois que le robot a terminé une tâche de nettoyage et retourne à la station de base pour se recharger, la station de base commencera automatiquement à vider le compartiment à poussière, puis nettoiera et séchera les serpillières.



#### Remarque :

- Si la fonction de vidage automatique est désactivée dans l'application, la station de base ne videra pas automatiquement le compartiment à poussière.
- La station de base videra le compartiment à poussière en fonction du réglage défini dans l'application.

### 4. Nettoyer le réservoir d'eau sale

Une fois que le robot a terminé sa tâche, veuillez nettoyer le réservoir d'eau sale pour éviter toute odeur.

#### Nettoyage après l'aspiration

Activez la fonction de nettoyage après l'aspiration dans l'application, et le robot retirera automatiquement l'unité de serpillière sur la station de base pour aspirer le sol. Une fois l'aspiration terminée, le robot retournera à la station de base pour installer l'unité de serpillière et la station de base commencera automatiquement à vider le compartiment à poussière. Puis, le robot commencera le nettoyage une fois les brosses principales et la brosse latérale relevées.

#### Aspiration uniquement

Activez la fonction d'aspiration dans l'application, et le robot retirera automatiquement l'unité de serpillière sur la station de base et commencera à aspirer.

#### Nettoyage uniquement

Activez la fonction de nettoyage dans l'application, et le robot vérifiera automatiquement si l'unité de serpillière est installée sur la station de base. Sinon, le robot installera l'unité de lavage et commencera à laver une fois les brosses principales et la brosse latérale relevées.

## Entretien de routine

#### Pièces

Pour maintenir le robot en bon état, il est recommandé de se référer à l'utilisation des accessoires dans l'application ou au tableau suivant pour l'entretien de routine.

Pièce	Fréquence d'entretien	Période de remplacement
Réservoir d'eau sale	Après chaque utilisation	/
Réservoir d'eau propre	Une fois toutes les 2 semaines	Tous les 6 à 12 mois
Brosses principales		Tous les 3 à 6 mois
Filtre du compartiment à poussière		/
Brosse latérale		/
Supports de serpillière		/
Filtre de la planche à laver	Tous les 1 à 2 mois	/
Zone de signalisation de la station de base	Une fois par mois	
Contacts de charge		
Événements de vidage automatique		
Roue omnidirectionnelle		
Capteur de bord		
Capteur VersaLift		
Deux capteurs laser d'alignement 3D		
Capteur de tapis		
Capteurs de vide		

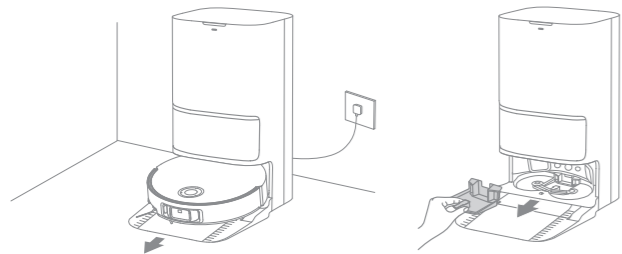
Pièce	Fréquence d'entretien	Période de remplacement
Vitre de pare-chocs	Une fois par mois	/
Pare-chocs		
Orifice de remplissage d'eau automatique du robot		
Dessous du robot		
Compartiment à poussière		
Roues principales	Nettoyez au besoin.	/
Roues agrippantes		
Sac à poussière	/	Tous les 2 à 4 mois
Serpillières		Tous les 1 à 3 mois
Inhibiteur de balance		Tous les 18 à 36 mois

Remarque : La fréquence d'entretien et de remplacement dépend de l'utilisation. Si une exception se produit en raison de circonstances particulières, les pièces doivent être entretenues ou remplacées.

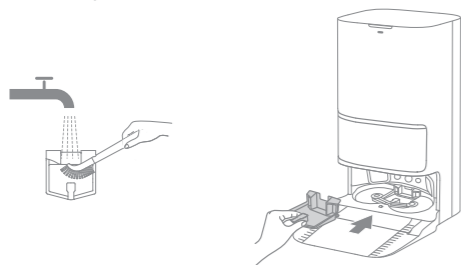
## Entretien de routine

### Filtre de la planche à laver

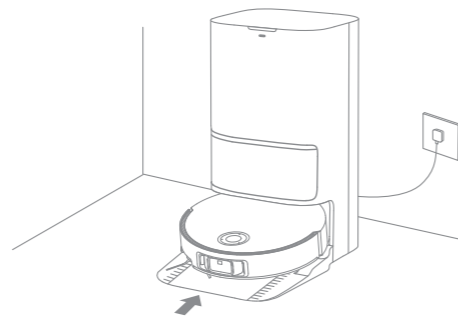
1. Sortez le robot et retirez le filtre de la planche après la fin du nettoyage de la serpillière.



2. Rincez le filtre de la planche à laver à l'eau propre, essuyez-le et réinstallez-le sur la planche à laver.



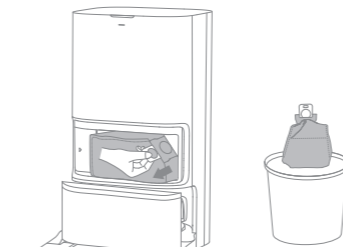
3. Appuyez sur le bouton  du robot, ou utilisez l'application pour faire retourner le robot à la station de base, ou replacez-le dessus manuellement.



## Entretien de routine

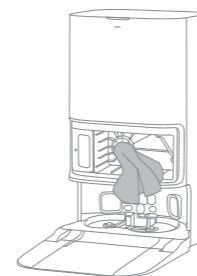
### Sac à poussière

1. Retirez le couvercle du réservoir à poussière et jetez le sac à poussière.

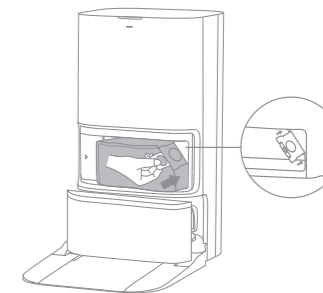


Remarque : Tirez vers le haut sur la poignée pour verrouiller le sac et empêcher la poussière et les débris de tomber accidentellement.

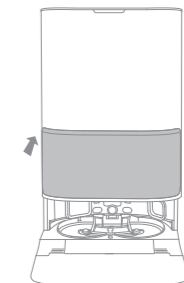
2. Retirez la poussière et les débris du filtre avec un chiffon sec.



3. Installez un nouveau sac à poussière.



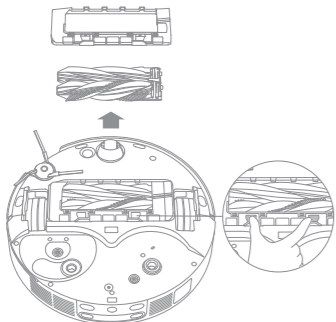
4. Réinstallez le couvercle du réservoir à poussière.



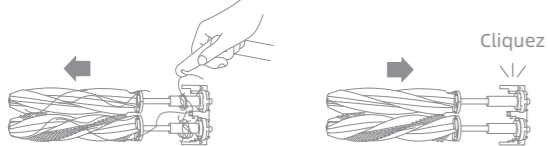
## Entretien de routine

### Brosses principales

1. Appuyez sur les clips de protection de brosse pour retirer la protection de brosse et soulevez les brosses pour les retirer du robot.

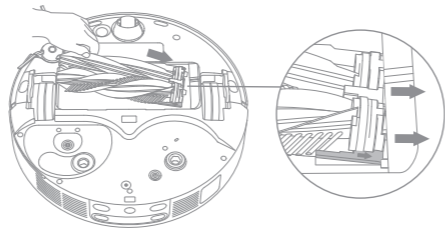


2. Retirez les brosses tel qu'illustré sur la figure. Utilisez l'outil de nettoyage fourni pour enlever les cheveux et poils emmêlés dans les brosses. Après le nettoyage, poussez fermement les brosses dans le support de brosse principale jusqu'à ce qu'elles se mettent en place en émettant un clic.

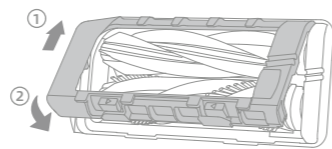


Remarque : faites preuve de prudence lorsque vous retirez les brosses principales afin d'éviter toute blessure.

3. Les flèches sérigraphiées orientées vers le haut, insérez le support de la brosse principale dans les fentes vers le bas et de manière inclinée.



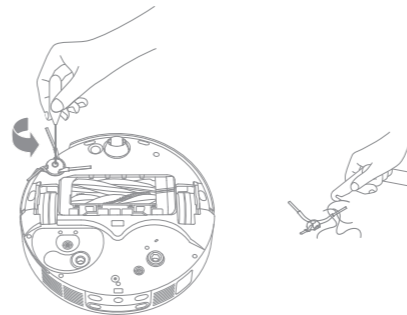
4. Alignez l'extrémité avant de la protection de brosse avec la fente, insérez-la vers le bas de manière inclinée, puis appuyez dessus pour la mettre en place.



## Entretien de routine

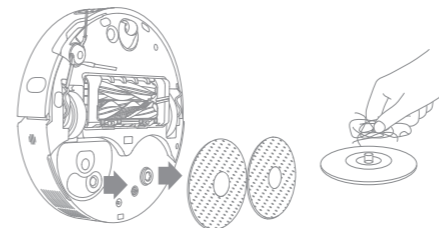
### Brosse latérale

Dévissez la brosse latérale à l'aide d'un tournevis, retirez les poils de la brosse, puis revissez-la.

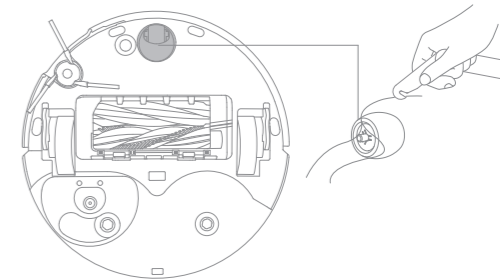


### Supports de serpillière

Retirez et nettoyez les supports de serpillière.



### Roue omnidirectionnelle



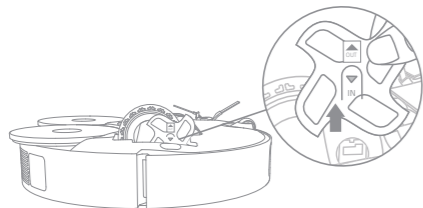
Remarque :

- Utilisez un outil tel qu'un petit tournevis pour séparer l'essieu et le pneu de la roue omnidirectionnelle. N'utilisez pas une force excessive.
- Rincez la roue omnidirectionnelle sous l'eau courante et remettez-la après l'avoir complètement séchée.

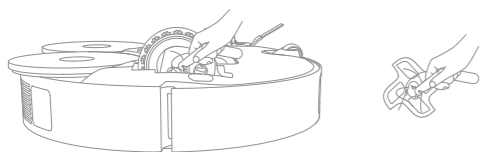
## Entretien de routine

### Roues principales et roues agrippantes

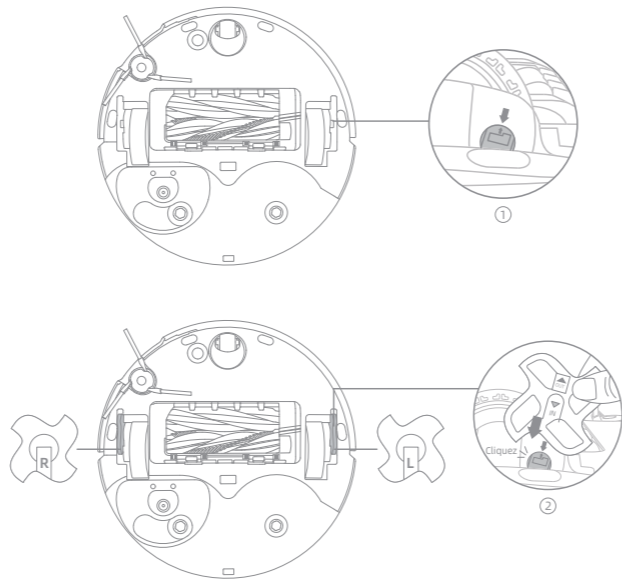
1. Tournez la roue agrippante jusqu'à ce que la flèche « OUT » pointe vers le haut, puis tirez sur la roue.



2. Utilisez un outil approprié pour retirer les cheveux pris dans la roue principale et la roue agrippante.



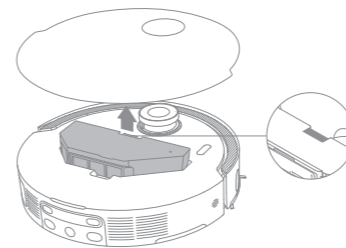
3. Après le nettoyage, tournez la roue principale jusqu'à ce que les deux flèches soient alignées (voir Figure ①). Avec la flèche « IN » pointée vers le bas, insérez les roues agrippantes droite et gauche jusqu'à ce qu'elles se mettent en place en cliquant. (voir Figure ②).



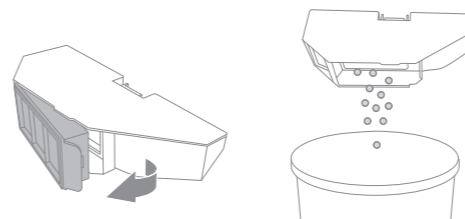
## Entretien de routine

### Filtre et compartiment à poussière

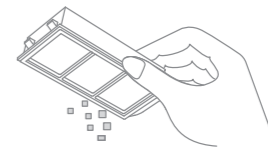
1. Ouvrez le couvercle du robot et appuyez sur la fixation de compartiment à poussière pour retirer celui-ci.



2. Retirez le filtre du compartiment à poussière et videz le compartiment.

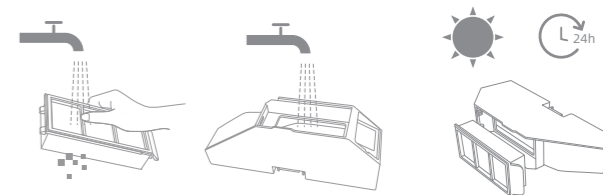


3. Tapotez doucement le panier du filtre pour enlever la saleté.



Remarque : N'essayez pas de nettoyer le filtre avec une brosse, les doigts ou des objets pointus pour éviter de l'endommager.

4. Rincez le compartiment à poussière et le filtre à l'eau et séchez-les complètement avant de les réinstaller.



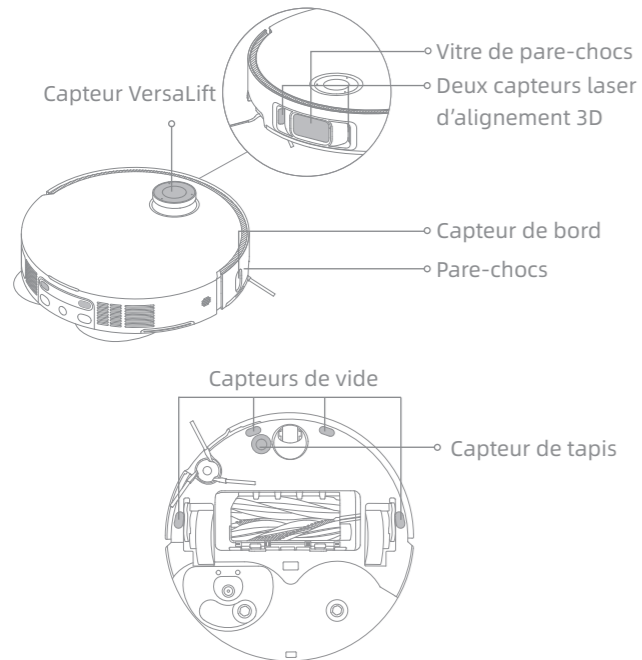
Remarque :

- Rincez le compartiment à poussière et le filtre uniquement à l'eau claire. N'utilisez aucun détergent.
- Utilisez le compartiment à poussière et le filtre uniquement lorsqu'ils sont complètement secs.

## Entretien de routine

### Capteurs de robot

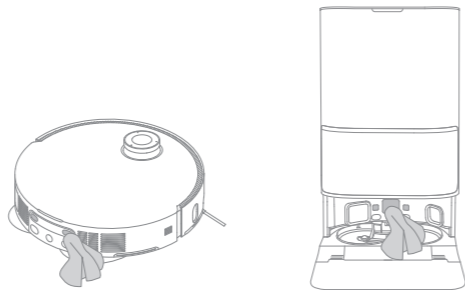
Essuyez les capteurs de robot à l'aide d'un chiffon doux et sec, comme illustré dans la figure ci-dessous :



Remarque : Un chiffon humide peut endommager les éléments sensibles dans le robot et la station de base. Veuillez utiliser un chiffon sec pour le nettoyage.

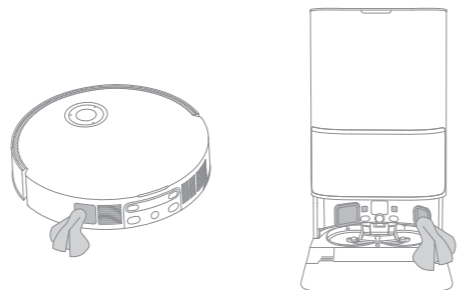
### Contacts de charge et zone d'émission du signal

Nettoyez les contacts de charge et la zone d'émission du signal avec un chiffon doux et sec.



### Événements de vidage automatique

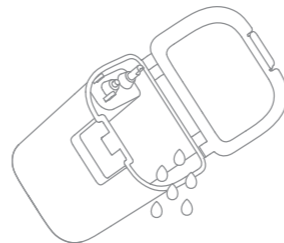
Nettoyez les événements de vidage automatique du robot et de la station de base à l'aide d'un chiffon doux et sec.



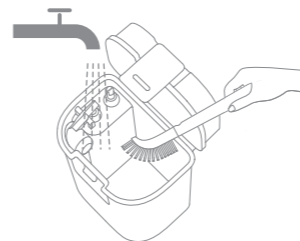
## Entretien de routine

### Réservoir d'eau sale

1. Retirez le réservoir d'eau sale, enlevez son couvercle et évacuez l'eau sale.



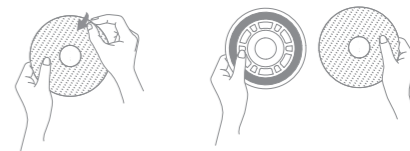
2. Rincez le réservoir d'eau sale à l'eau claire et utilisez l'outil de nettoyage fourni pour nettoyer la paroi intérieure du réservoir d'eau sale.



Remarque : Faites preuve de prudence lorsque vous retirez les brosses principales afin d'éviter toute blessure.

### Serpillères

Retirez les serpillères du support pour les remplacer.






### Batterie

Le robot contient une batterie lithium-ion haute performance. Assurez-vous que la batterie reste bien chargée pour une utilisation quotidienne afin de maintenir les performances optimales de la batterie. Si le robot n'est pas utilisé pendant une longue période, éteignez-le et rangez-le. Pour éviter tout risque de dommages lié à une décharge excessive, rechargez le robot au moins une fois tous les trois mois.



Problème	Solution
Le robot ne s'allume pas.	La batterie est faible. Rechargez la batterie sur la base et réessayez. La température de la batterie est trop basse ou trop élevée. Il est recommandé de faire fonctionner l'appareil à une température comprise entre 0 ° C (32° F) et 40 ° C (104° F).
Le robot ne se recharge pas.	La station de base n'est pas connectée à l'alimentation, veuillez vous assurer que les deux extrémités de son cordon d'alimentation sont correctement branchées. Le contact entre les contacts de charge sur la station de base et le robot est défaillant, veuillez nettoyer les contacts de charge. Vérifiez la présence d'objet étranger au niveau des connecteurs du robot et retirez-le le cas échéant.
Le robot ne se connecte pas au réseau Wi-Fi.	Le mot de passe du réseau Wi-Fi n'est pas correct. Assurez-vous que le mot de passe utilisé pour vous connecter à votre réseau Wi-Fi est correct. Le robot ne prend pas en charge la connexion Wi-Fi 5 GHz. Assurez-vous que le robot est relié à une connexion Wi-Fi 2,4 GHz. Le signal Wi-Fi est faible. Assurez-vous que le robot se trouve dans une zone avec une bonne couverture Wi-Fi. Le robot peut ne pas être prêt à être configuré. Veuillez quitter et rouvrir l'application, puis essayez à nouveau comme indiqué.
Le robot ne peut pas trouver la station de base et y retourner.	La station de base est déconnectée de l'alimentation ou déplacée lorsque le robot n'est pas dessus. Veuillez connecter la station de base à l'alimentation électrique ou placer le robot sur la station de base pour le charger. Il y a trop d'obstacles autour de la station de base. Placez la station de base dans une zone plus dégagée. Tout déplacement du robot peut entraîner son repositionnement, il recréera alors une carte s'il n'est pas correctement repositionné. Si le robot est trop éloigné de la station de base, il peut ne pas revenir automatiquement à la station de lui-même, auquel cas vous devrez manuellement placer le robot sur la station de base. Essayez la zone d'émission du signal sur la station de base pour éliminer la poussière ou les débris.


Problème	Solution
Le robot reste bloqué devant la station de base et ne peut pas retourner vers elle.	Assurez-vous qu'il y ait assez d'espace de chaque côté et à l'avant de la station de base pour que le robot ne soit pas bloqué. L'itinéraire pour revenir se recharger est bloqué, par ex. la porte est fermée. Le robot peut glisser si le sol devant la station de base est trop humide. Dans ce cas, nettoyez l'excès d'eau avant de réessayer. Il est recommandé de déplacer la station de base dans un autre endroit et réessayez. Assurez-vous que la plaque d'extension de rampe est correctement installée.
Le robot ne s'éteint pas.	Le robot ne peut pas être désactivé lorsqu'il se recharge. Il est recommandé d'éloigner le robot de la station de base, puis de maintenir le bouton  enfoncé pendant 3 secondes pour l'éteindre. Si le robot ne peut pas être éteint en effectuant l'étape 1, maintenez le bouton  enfoncé pendant 10 secondes pour forcer le robot à s'éteindre. Si le problème persiste, contactez le service après-vente.
La vitesse de charge est lente.	La charge complète du robot, lorsque le niveau de la batterie est bas, dure environ 4,5 heures. Si vous utilisez le robot à des températures en dehors de la plage indiquée, la vitesse de charge ralentira automatiquement pour prolonger l'autonomie de la batterie. Les contacts de charge sur le robot et la station de base peuvent être sales, veuillez les essuyer avec un chiffon sec.
Le bruit augmente lors du fonctionnement du robot.	Vérifiez si le compartiment à poussière est bouché. Si c'est le cas, nettoyez-le ou remplacez-le. Un objet est peut-être coincé dans les brosses principales ou le compartiment à poussière. Vérifiez et retirez l'objet. Les brosses principales ou la brosse latérale sont peut-être bloquées. Vérifiez et retirez tous les objets étrangers. Passez le mode d'aspiration sur Standard ou Silencieux.
Le robot se déplace sans suivre l'itinéraire défini.	Les objets tels que cordons d'alimentation et pantoufles doivent être rangés avant d'utiliser le robot. Les surfaces mouillées et glissantes peuvent faire patiner la roue principale. Il est recommandé de sécher les endroits humides avant d'utiliser le robot. Essuyez la vitre de pare-chocs et les capteurs laser d'alignement 3D sur le robot avec un chiffon propre et doux pour les maintenir propres et dégagés.

Problème	Solution
Le robot n'a pas trouvé les pièces à nettoyer.	Assurez-vous que la porte de chaque pièce à nettoyer est ouverte. La zone devant la pièce à nettoyer est peut-être glissante et mouillée, et le robot glisse et ne fonctionne pas normalement. Séchez le sol avant d'utiliser le robot.
Le robot ne reprend pas le nettoyage après la recharge.	Assurez-vous que le robot n'est pas programmé sur le mode Ne pas déranger (DND), ce qui peut l'empêcher de reprendre le nettoyage. Le robot ne reprendra pas le nettoyage après l'avoir placé manuellement sur la station de base ou l'avoir envoyé se recharger via l'application ou le bouton  .
La station ne vide pas automatiquement le compartiment à poussière.	Vérifiez si le sac à poussière dans le compartiment à poussière est plein. Si le sac à poussière n'est pas plein, vérifiez si les événements de vidage automatique du robot, de la station de base ou du compartiment à poussière ne sont pas obstrués. Si c'est le cas, dégagez la pièce bloquée.
Le niveau d'eau dans la planche à laver est anormal.	Vérifiez si le joint sur le réservoir d'eau sale est desserré ou mal installé, et fixez-le à nouveau manuellement le cas échéant. Si le problème persiste, contactez l'équipe de service après-vente. Enfoncez légèrement le réservoir d'eau sale pour vous assurer qu'il est correctement installé. Retirez la planche à laver et vérifiez si le tuyau d'eau sale est bouché, et nettoyez-le. Vérifiez la solution de nettoyage. N'ajoutez pas de liquide autre que la solution de nettoyage approuvée.
Le support de la serpillière ne se soulève pas normalement.	Veuillez retirer le support de la serpillière pour vérifier la présence d'objet étranger coincé à l'intérieur, et essayer de redémarrer le robot. Si le problème persiste, contactez l'équipe de service après-vente.
De l'eau est présente sous le réservoir d'eau propre ou autour du joint d'étanchéité.	Lorsque vous retirez le réservoir d'eau propre, de l'eau contenue dans le tuyau peut être présente sous le réservoir ou autour du joint d'étanchéité. Cela est normal. Veuillez essayer à l'aide d'un chiffon sec.

Pour plus d'assistance, contactez-nous via <https://global.dreametech.com>

## Caractéristiques techniques


### Robot

Modèle	RLL84CE
Temps de charge	Environ 4,5 h
Tension nominale	14,4 V 
Puissance nominale	75 W
Fréquence de fonctionnement	2400-2483,5 MHz
Puissance de sortie maximale	< 20 dBm

Dans des conditions normales d'utilisation, cet équipement doit être maintenu à une distance de séparation d'au moins 20 cm entre l'antenne et le corps de l'utilisateur.



### Station de base

Modèle	RCLE0101
Entrée nominale	220-240 V ~ 50-60 Hz
Sortie nominale	20 V  2 A
Puissance nominale (pendant le vidage de la poussière)	700 W
Puissance nominale (pendant le nettoyage à l'eau chaude)	1160 W
Puissance nominale (pendant la charge et le séchage)	87 W

Remarque :

- La puissance nominale (pendant le nettoyage à l'eau chaude) est déterminée par la valeur de puissance pendant la période représentative (température de l'eau à 25 °C).
- La puissance nominale (pendant la charge et le séchage) est déterminée par la valeur de puissance pendant la période de pleine charge.

## Retrait et élimination de la batterie

La batterie lithium-ion intégrée contient des substances dangereuses pour l'environnement. Avant d'éliminer la batterie, assurez-vous qu'elle est enlevée par un technicien qualifié et déposée dans un centre de recyclage approprié.

- la batterie doit être retirée de l'appareil avant qu'il ne soit mis au rebut ;
- l'appareil doit être débranché de la prise secteur pour le retrait de la batterie ;
- la batterie doit être éliminée de manière sûre.

### ATTENTION :

Avant d'enlever la batterie, débranchez l'appareil et déchargez au maximum la batterie.

Les batteries non utilisées doivent être mises au rebut dans un centre de recyclage approprié.

N'exposez pas la batterie dans un environnement à haute température pour éviter les risques d'explosion.

En cas d'usage abusif, du liquide peut s'échapper de la batterie. En cas de contact, rincez à l'eau et consultez un médecin.

### Guide pour le retrait :

1. Retournez le robot, utilisez l'outil adapté pour retirer les vis à l'arrière du robot, puis enlevez le couvercle.
2. Débranchez les bornes entre la batterie et la carte de circuit imprimé pour retirer la batterie.

### Informations concernant les DEEE



Tous les produits portant ce symbole sont des déchets d'équipements électriques et électroniques (DEEE d'après la directive 2012/19/UE) qui ne doivent pas être mélangés avec les ordures ménagères non triées. Vous devez protéger la santé humaine et l'environnement en déposant votre équipement usagé dans un point de collecte prévu à cet effet pour le recyclage des déchets d'équipements électriques et électroniques, désigné par le gouvernement et les autorités locales. Des procédures d'élimination et de recyclage adéquates permettent d'éviter les effets nocifs sur l'environnement et la santé humaine. Veuillez contacter l'installateur ou les autorités locales pour plus d'informations sur le site, ainsi que les modalités et conditions des points de collecte de ce type.

## Informazioni sulla sicurezza

Per evitare scosse elettriche, incendi o lesioni causate da un uso improprio dell'apparecchio, leggere attentamente il manuale d'uso prima di utilizzare l'apparecchio e conservarlo per riferimenti futuri.

### Restrizioni di utilizzo

- Questo prodotto non deve essere utilizzato da bambini di età inferiore a 8 anni o da persone con deficit fisici, sensoriali, intellettuali o con esperienza o conoscenze limitate senza la supervisione di un genitore o di un tutore per garantire un funzionamento sicuro ed evitare qualsiasi rischio. La pulizia e la manutenzione non devono essere eseguite da bambini senza supervisione.
- L'apparecchio deve essere utilizzato solo con l'alimentatore fornito in dotazione.
- Questo apparecchio contiene batterie che possono essere sostituite solo da personale specializzato.
- Liberare l'area da pulire. I bambini non devono giocare con l'apparecchio. Assicuratevi che bambini e animali domestici siano tenuti a distanza di sicurezza dal robot durante il suo funzionamento.
- Non installare, caricare o utilizzare l'apparecchio nei bagni o intorno alle piscine.
- Questo prodotto è destinato esclusivamente alla pulizia dei pavimenti in ambiente domestico. Non utilizzare all'aperto, su superfici non pavimentate o in ambienti commerciali o industriali.
- Assicuratevi che l'apparecchio funzioni correttamente in un ambiente adeguato. In caso contrario, non utilizzare l'apparecchio.
- Se il cavo di alimentazione è danneggiato, deve essere sostituito con un cavo o un gruppo speciale disponibile presso il produttore o il suo agente di assistenza.

## Informazioni sulla sicurezza

### Restrizioni di utilizzo

- Non utilizzare il robot in un'area sospeso sopra il livello del suolo senza una barriera protettiva.
- Non posizionare il robot a testa in giù. Non utilizzare il coperchio dell'LDS, il coperchio del robot o il paraurti come impugnatura del robot.
- Utilizzare il robot in ambienti con temperatura ambiente superiore a 0 °C e inferiore a 40 °C. Assicurarsi che non vi siano liquidi o sostanze appiccicose sul pavimento.
- Per evitare danni o danni da trascinamento, prima di mettere in funzione l'apparecchio, rimuovere tutti gli oggetti lasciati sul pavimento e i cavi o i fili di alimentazione che si trovano sul percorso di pulizia.
- Rimuovere gli oggetti fragili o piccoli dal pavimento per evitare che il robot li urti e li danneggi.
- Tenere capelli, dita e altre parti del corpo lontano dall'apertura di aspirazione del robot.
- Tenere lo strumento di pulizia fuori dalla portata dei bambini.
- Non mettere in funzione l'apparecchio in una stanza in cui dorme un neonato o un bambino.
- Non collocare bambini, animali domestici o altri oggetti sopra il robot, indipendentemente dal fatto che sia fermo o in movimento.
- Nel serbatoio dell'acqua pulita è possibile aggiungere solo acqua pulita e la soluzione detergente ufficialmente approvata. Non aggiungere altri liquidi come alcol o disinfettanti. Il rapporto tra la soluzione detergente e l'acqua pulita può essere controllato sul flacone della soluzione detergente. Tenere la soluzione detergente fuori dalla portata dei bambini.

## Informazioni sulla sicurezza

### Restrizioni di utilizzo

- Non utilizzare il robot per pulire oggetti molto caldi. Non utilizzare il robot per raccogliere liquidi infiammabili o combustibili, gas corrosivi, acidi o solventi non diluiti.
- Non aspirare oggetti duri o taglienti. Non utilizzare l'apparecchio per raccogliere oggetti come sassi, grandi pezzi di carta o qualsiasi altro oggetto che possa intasare l'apparecchio.
- La spina deve essere rimossa dalla presa di corrente prima di procedere alla pulizia o alla manutenzione dell'apparecchio.
- Non pulire il robot o la stazione base con un panno bagnato e non sciacquarli con alcun liquido. Dopo aver pulito le parti lavabili, asciugarle completamente prima di reinstallarle e utilizzarle.
- Utilizzare questo prodotto in conformità alle istruzioni contenute nel manuale d'uso. Gli utenti sono responsabili di eventuali perdite o danni derivanti dall'uso improprio di questo prodotto.

### Batterie e ricarica

- Non utilizzare batterie o stazioni base di parte terza. Il robot può essere utilizzato solo con la stazione base modello RCLE0101.
- Non tentare di smontare, riparare o modificare da soli la batteria o la stazione base.
- Non collocare la stazione base vicino a una fonte di calore.
- Non utilizzare un panno o le mani bagnate per pulire i contatti di ricarica della stazione base.
- Non smaltire impropriamente le vecchie batterie. Le batterie non necessarie devono essere smaltite presso un centro di riciclaggio appropriato.

## Informazioni sulla sicurezza

### Batterie e ricarica

- Se il cavo di alimentazione è danneggiato o rotto, interrompere immediatamente l'uso e contattare il servizio di assistenza.
- Assicurati che il robot sia spento durante il trasporto e, se possibile, conservato nell'imballaggio originale.
- Se il robot non viene utilizzato per un tempo prolungato, caricarlo completamente, quindi spegnerlo e conservarlo in un luogo fresco e asciutto. Ricaricare il robot almeno una volta ogni 3 mesi per evitare di scaricare eccessivamente la batteria.

### Informazioni sulla sicurezza del laser

- Il sensore laser di questo prodotto è conforme alla norma IEC 60825-1:2014/EN 60825-1:2014/A11:2021 per i prodotti laser di Classe 1. Evitare il contatto diretto con gli occhi durante l'uso.

PRODOTTO LASER DI CLASSE 1  
 PRODOTTO LASER DI CONSUMO  
 EN 50689:2021



Solo per uso interno

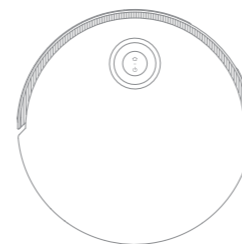


Leggere il manuale dell'operatore

Con la presente, Dreame Trading (Tianjin) Co., Ltd. dichiara che l'apparecchiatura radio tipo RLL84CE è conforme alla direttiva 2014/53/UE. Il testo completo della dichiarazione di conformità dell'UE è disponibile al seguente indirizzo internet: <https://global.dreameotech.com>  
 Per un manuale elettronico dettagliato, visitare il sito <https://global.dreameotech.com/pages/user-manuals-and-faqs>

## Panoramica del prodotto

### Contenuto della confezione

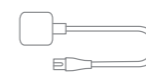


Robot



Stazione base

### Altri accessori



Cavo di alimentazione



Piastra di estensione della rampa della stazione base



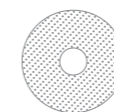
Manuale d'uso



Scomparto del detergente automatico (preinstallato)



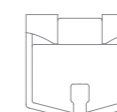
Sacchetto della polvere × 2 (1 preinstallato)



Tampone del mocio × 2 (preinstallato)



Supporto per il tampone del mocio × 2



Filtro della piastra di lavaggio (preinstallato)

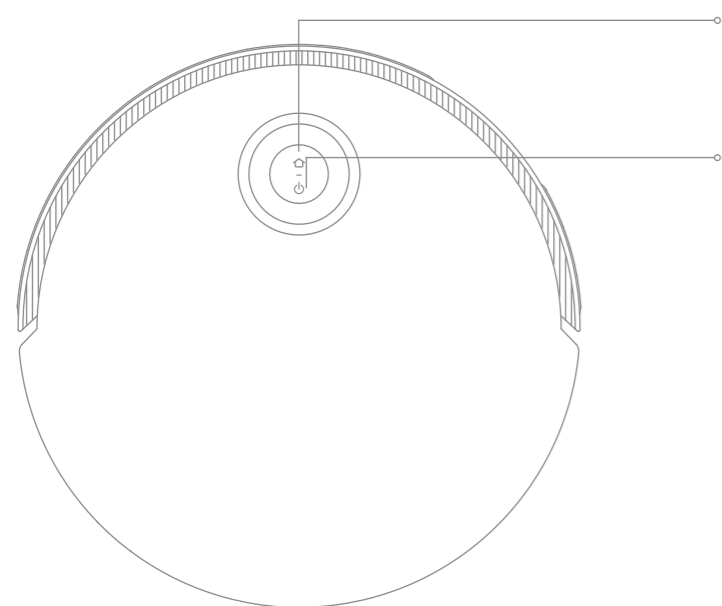


Soluzione detergente



Utensile di pulizia

## Robot



- Pulsante Stazione**
  - Premere per rimandare il robot alla stazione base
  - Tenere premuto per 3 secondi per disattivare il blocco bambini
- Pulsante di accensione / pulizia**
  - Tenere premuto per 3 secondi per accendere o spegnere il dispositivo
  - Premere per avviare la pulizia dopo l'accensione del robot

**Indicatore di stato circolare**

- Blu fisso: Pulizia o ripulitura completata
- Verde fisso: In ricarica
- Arancione lampeggiante: Errore

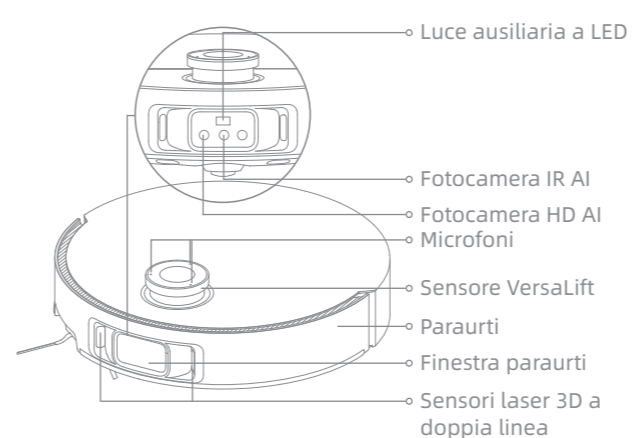
**Indicatore di stato del pulsante**

- Bianco fisso: Pulizia o ripulitura completata
- Bianco intermittente: In carica (non batteria scarica)
- Arancione fisso: Standby a batteria scarica o in pausa a batteria scarica
- Arancione lampeggiante: In carica (batteria scarica)
- Arancione lampeggiante: Errore
- Rosa lampeggiante: Telecamera attivata

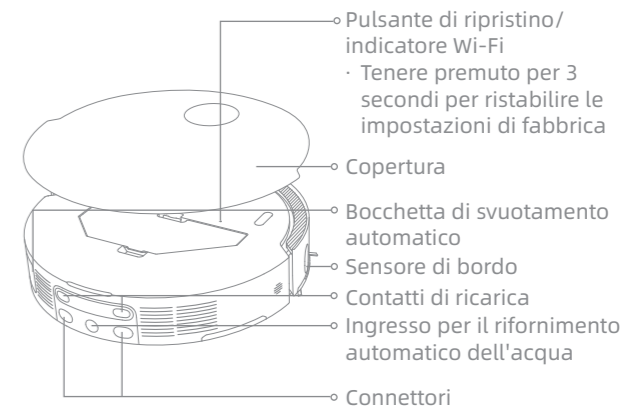
**Nota:**

- Premere un pulsante qualsiasi del robot per mettere in pausa il robot durante la pulizia o la ricarica.
- Il blocco bambini può essere attivato/disattivato tramite l'App Dreamehome.

## Robot e sensori



- Luce ausiliaria a LED
- Fotocamera IR AI
- Fotocamera HD AI
- Microfoni
- Sensore VersaLift
- Paraurti
- Finestra paraurti
- Sensori laser 3D a doppia linea

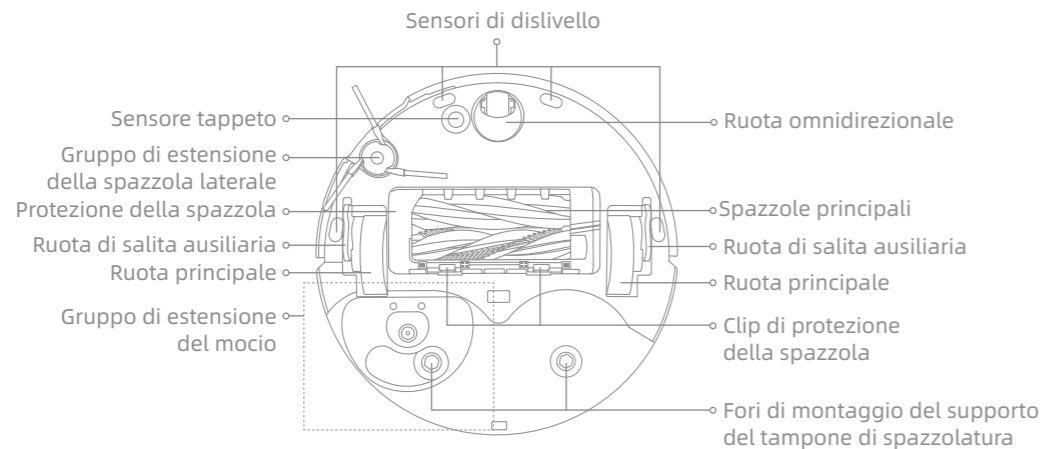


- Pulsante di ripristino/indicatore Wi-Fi
- Tenere premuto per 3 secondi per ristabilire le impostazioni di fabbrica
- Copertura
- Bocchetta di svuotamento automatico
- Sensore di bordo
- Contatti di ricarica
- Ingresso per il rifornimento automatico dell'acqua
- Connettori

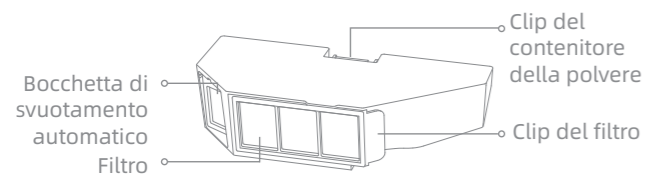
**Nota:** Il sensore VersaLift si abbassa quando il robot è in modalità standby, in carica sulla stazione base o quando pulisce aree ad altezza ridotta. In caso di pulizia di aree ad altezza ridotta, non spostare il robot per non comprometterne il posizionamento.

## Panoramica del prodotto

### Robot e sensori



### Contenitore della polvere

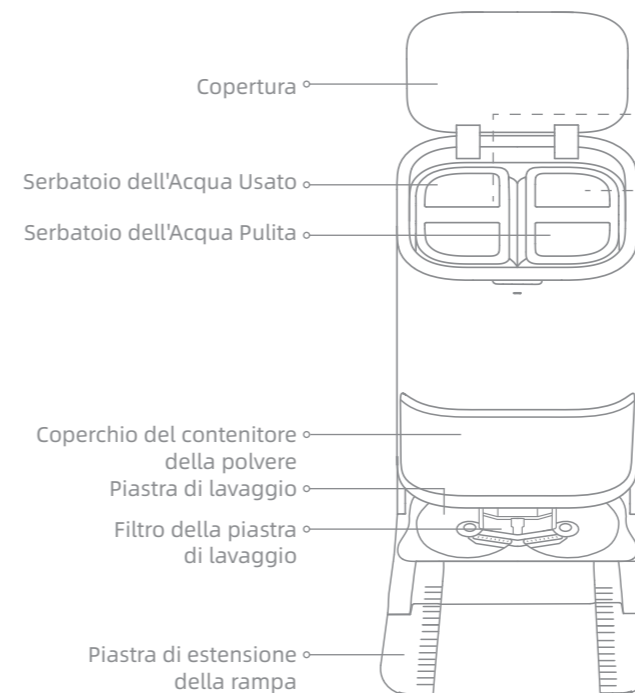


### Gruppo mocio

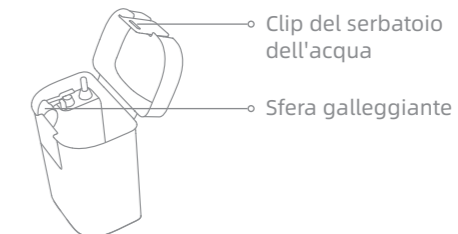


## Panoramica del prodotto

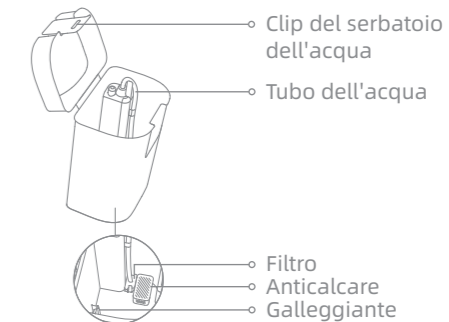
### Stazione base



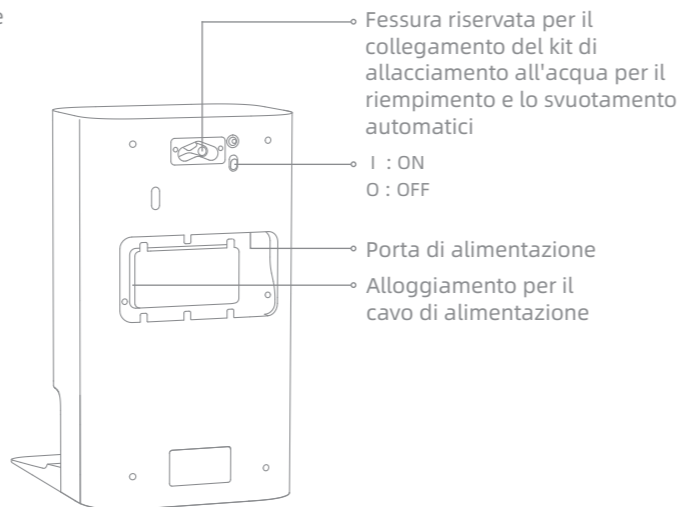
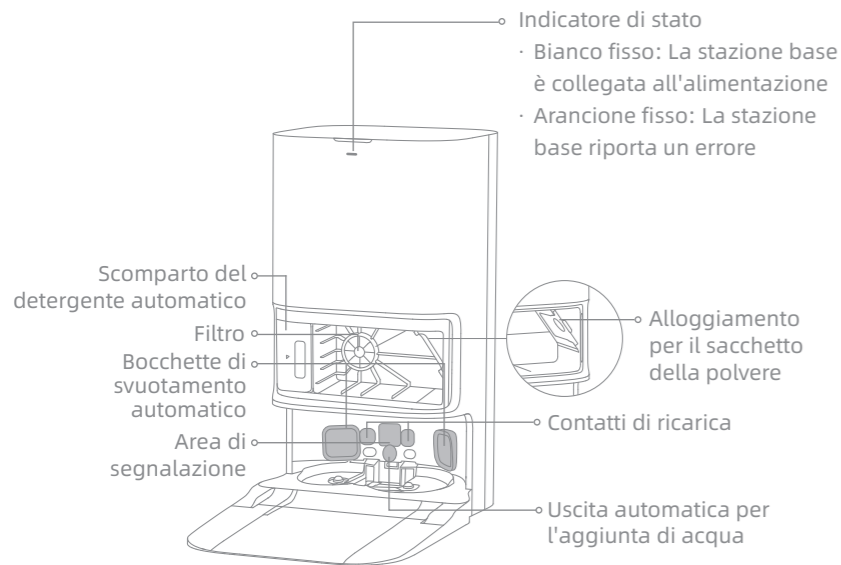
### Serbatoio dell'Acqua Usato



### Serbatoio dell'Acqua Pulita

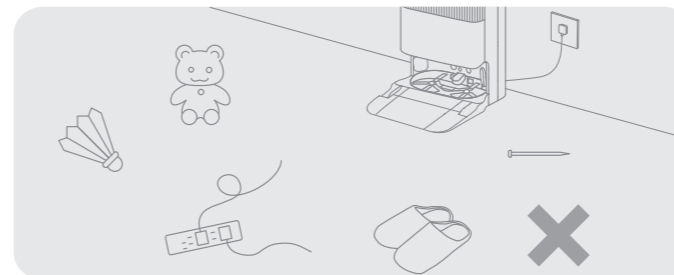


**Stazione base**

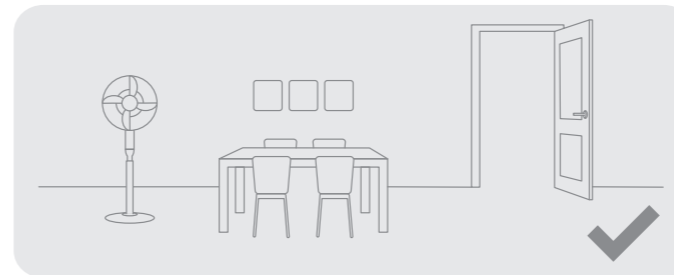


**Nota:** Il kit di allacciamento all'acqua per il riempimento e lo svuotamento automatico deve essere acquistato separatamente. (Disponibile solo in alcune regioni)

**Preparare la casa**



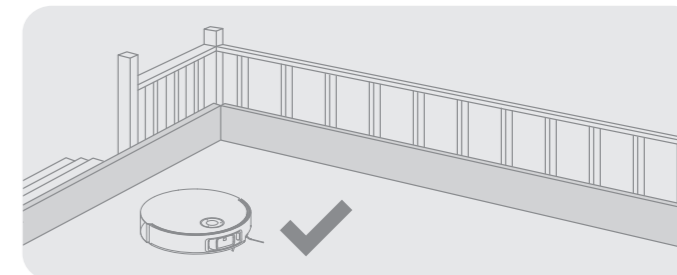
Prima di procedere alla pulizia, allontanare gli oggetti instabili, fragili, di valore o pericolosi e togliere i cavi, i panni, i giocattoli, gli oggetti duri e gli oggetti appuntiti che si trovano a terra, per evitare che il robot possa impigliarsi, graffiarsi o rovesciarsi e causare danni.



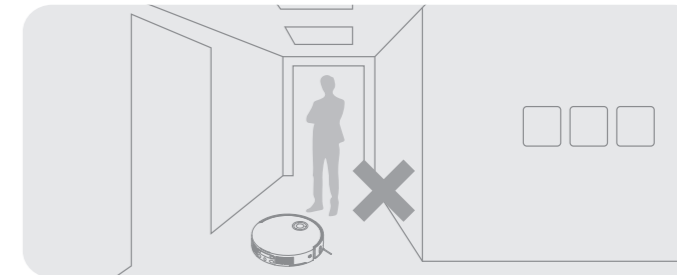
Aprire la porta della stanza da pulire e sistemare i mobili al loro posto per lasciare più spazio.

**Nota:**

- Quando si utilizza il robot per la prima volta, seguirlo durante la pulizia per eliminare in tempo eventuali ostacoli.
- Le luci a LED ausiliarie forniranno un'illuminazione ausiliaria negli ambienti scarsamente illuminati.
- Non aspirare oggetti duri come pietre, sfere d'acciaio e parti di giocattoli, né oggetti appuntiti come rifiuti edili, vetri rotti e chiodi, per evitare di graffiare il pavimento.



Prima della pulizia, posizionare una barriera fisica sul bordo delle scale per garantire il funzionamento sicuro e senza intoppi del robot.



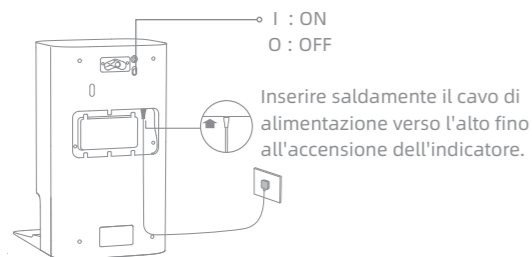
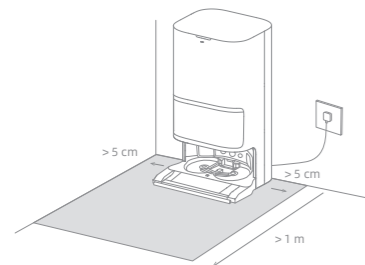
Per evitare che il robot non riconosca le aree da pulire, non sostare davanti al robot, alle soglie, ai corridoi o ai luoghi angusti.



## Prima dell'uso

### 1. Posizionare la stazione base e collegarla a una presa elettrica

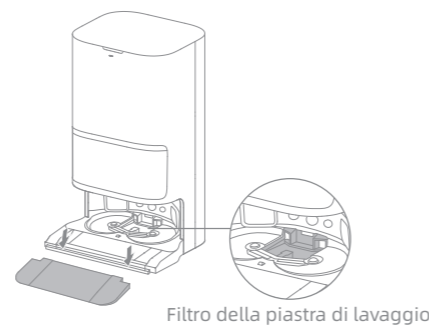
Collocare la stazione base in una posizione il più possibile aperta e con un buon segnale Wi-Fi. Lasciare uno spazio sufficiente come mostrato nella figura e rimuovere gli oggetti nell'area ombreggiata. Inserire il cavo di alimentazione nella stazione base e collegarlo alla presa.



#### Nota:

- Assicurati che nessun oggetto possa bloccare l'area di segnalazione.
- Per evitare che le macchie d'acqua bagnino i pavimenti in legno o i tappeti, si consiglia di posizionare la stazione base su pavimenti in piastrelle o in marmo.

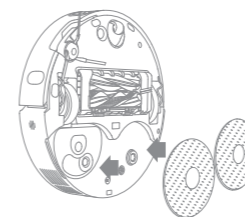
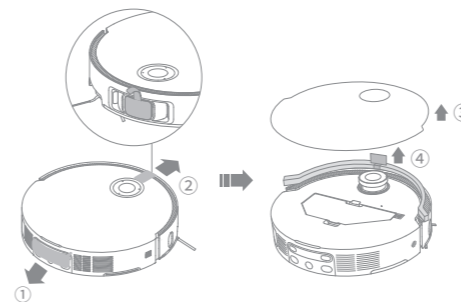
### 2. Installare la piastra di estensione della rampa




Nota: Assicurarsi che il filtro della piastra di lavaggio sia installato in posizione.

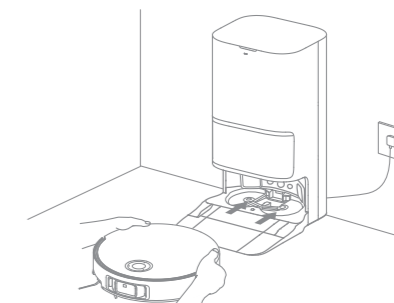
## Prima dell'uso

### 3. Rimuovere le protezioni del robot e installare il gruppo mocio



### 4. Collegare il robot alla stazione base

Tenere premuto il pulsante  sul robot per 3 secondi per accenderlo. Posizionare il robot sulla stazione base con il gruppo mocio rivolto verso la piastra di lavaggio. Quando il robot si connette con successo alla stazione base, viene emessa una notifica vocale. Dopo che il robot è stato completamente caricato, gli indicatori di stato sul robot e sulla stazione base rimarranno accesi per 10 minuti e poi si spegneranno.

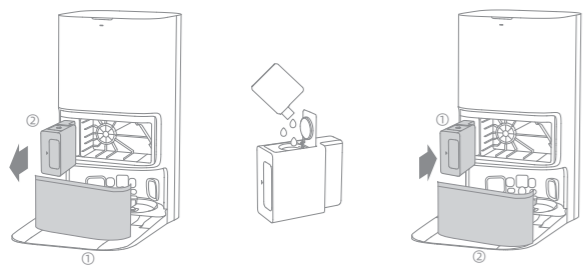


Nota: si raccomanda di caricare completamente il robot prima del suo primo utilizzo. Se non è possibile accendere il robot dopo l'esaurimento della batteria, collegare manualmente il robot alla stazione per ricaricarlo.

## Prima dell'uso

### 5. Aggiungere la soluzione detergente

- (1) Rimuovere il coperchio del contenitore della polvere ed estrarre lo scomparto del detergente automatico.
- (2) Aprire il coperchio superiore dello scomparto e aggiungere la soluzione detergente.
- (3) Chiudere il coperchio dello scomparto, reinserirlo nella stazione base e rimontare il coperchio del contenitore della polvere. La soluzione detergente verrà aggiunta automaticamente

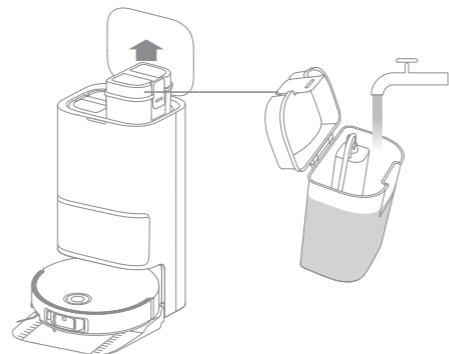


#### Nota:

- Lo scomparto del detergente automatico può essere riempito di soluzione detergente per l'uso. Per evitare malfunzionamenti, non aggiungere altri liquidi oltre alla soluzione detergente ufficialmente approvata.
- Installare lo scomparto del detergente automatico finché non scatta in posizione.

### 6. Aggiungere acqua al serbatoio dell'acqua pulita

Estrarre il serbatoio dell'acqua pulita dalla stazione base e riempirlo con acqua pulita. Quindi reinserirlo nella stazione base.

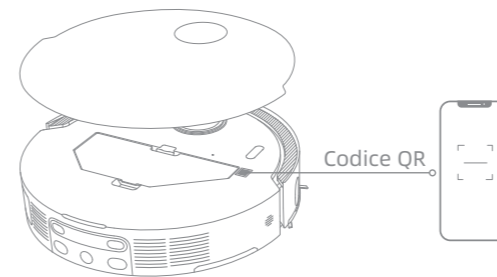


**Nota:** Non aggiungere acqua calda nel serbatoio dell'acqua per evitare che il serbatoio si deformi.

## Collegamento con l'App Dreamehome

### 1. Scaricare l'App Dreamehome

Rimuovere il coperchio del robot e scansionare il codice QR sul robot, oppure cercare Dreamehome nell'App Store per scaricare e installare l'app.



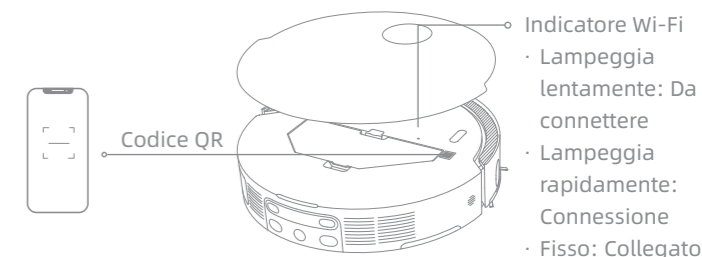
#### Nota:

- È supportato solo il Wi-Fi a 2,4 GHz.
- A causa degli aggiornamenti del software dell'app, le operazioni effettive potrebbero differire dalle indicazioni contenute nel presente manuale. Seguire le istruzioni in base alla versione attuale dell'app.

### 2. Aggiungi dispositivo

Aprire l'app Dreamehome, toccare "Scansiona il codice QR per connetterti" e scansionare nuovamente lo stesso codice QR sul robot per aggiungere il dispositivo. Seguire le istruzioni per completare la connessione Wi-Fi.



**Nota:** Per ripristinare il Wi-Fi, ripetere il passo 2 e seguire le istruzioni per completare la connessione Wi-Fi.



- Indicatore Wi-Fi
- Lampeggia lentamente: Da connettere
  - Lampeggia rapidamente: Connessione
  - Fisso: Collegato

## Come si usa

### Accensione/spengimento

Tenere premuto il pulsante  per 3 secondi per accendere il robot. L'indicatore di alimentazione rimane acceso. In alternativa, posizionare il robot sulla stazione base allineando i contatti di ricarica del robot con quelli della stazione base; il robot si accenderà automaticamente e inizierà la ricarica. Per spegnere il robot, allontanarlo dalla stazione base e tenere premuto il pulsante  per 3 secondi.

### Mappatura veloce

Dopo aver configurato la rete per la prima volta, seguire le istruzioni dell'App per creare rapidamente una mappa. Il robot inizierà a tracciare una mappa senza pulire. Quando il robot torna alla stazione base, il processo di mappatura è stato completato e la mappa viene salvata automaticamente.

### Pausa/Riposo

Quando il robot è in funzione, premere un pulsante qualsiasi per metterlo in pausa.

Se il robot rimane in pausa per più di 10 minuti, entra automaticamente in modalità di riposo. Tutti gli indicatori del robot si spengono. Premere un pulsante qualsiasi del robot o utilizzare l'App per attivarlo.

**Nota:** Se il robot viene messo in pausa e posizionato sulla stazione di ricarica, il compito di pulizia in corso viene interrotto.

### Ripresa automatica della pulizia

Se la batteria è troppo scarica, il robot torna automaticamente alla stazione base per ricaricarsi. Dopo la ricarica al livello di batteria appropriato, riprenderà le attività di pulizia non ancora concluse.

**Nota:** Per utilizzare questa funzione, abilitarla nell'app.



### Modalità Non disturbare (DND)

Quando il robot è impostato sulla modalità Non disturbare (DND), il robot non potrà riprendere la pulizia. La modalità DND è disattivata per impostazione predefinita in fabbrica. Con l'app è possibile attivare la modalità DND o modificare il periodo di DND. Per impostazione predefinita, il periodo di DND va dalle 22:00 alle 8:00.

**Nota:**

- Le attività di pulizia programmate saranno eseguite come di consueto durante il periodo di DND.
- Alla scadenza del periodo di DND, il robot riprenderà la pulizia dal punto in cui l'aveva lasciata.

### Riavvio del robot


Se il robot smette di rispondere o non può essere spento, tenere premuto il pulsante  per 10 secondi per spegnerlo. Quindi, tenere premuto il pulsante  per 3 secondi per accendere il robot.

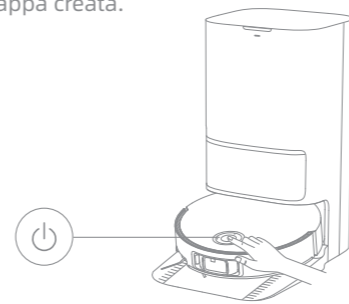
## Come si usa

### Aspirazione e lavaggio

**Nota:** Quando si utilizza il gruppo mocio per la prima volta, il robot esegue il compito "Aspirazione e mocio" per impostazione predefinita.

#### 1. Avvio della pulizia

Premere il pulsante  sul robot, oppure utilizzare l'app per far partire il robot dalla stazione base. Quindi il robot pianifica il percorso di pulizia ottimale ed esegue l'operazione di pulizia in base alla mappa creata.

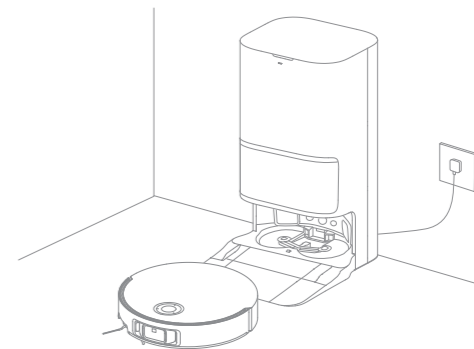


**Nota:**

- Per garantire che il robot torni facilmente alla stazione base dopo la pulizia, si raccomanda di far partire il robot dalla stazione base.
- I tamponi del mocio verranno puliti prima che il robot inizi a pulire, attendere pazientemente.
- Non spostare la stazione base, il serbatoio dell'acqua pulita, il serbatoio dell'acqua usata o la piastra di lavaggio durante il funzionamento.
- La pulizia con acqua calda può essere attivata nell'app per le attività di pulizia del tampone del mocio, e questo vale per tutte le modalità. **Per evitare scottature, non toccare l'uscita dell'acqua quando la funzione è attiva.**

#### 2. Lavaggio automatico del mocio

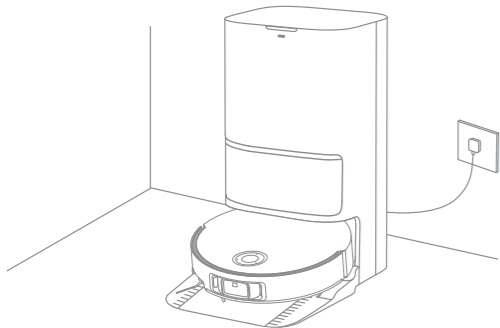
Durante la pulizia, il robot torna automaticamente alla stazione base per lavare i tamponi del mocio in base alla frequenza di pulizia degli stessi specificata nell'app. La stazione base riempirà automaticamente il serbatoio dell'acqua del robot e quest'ultimo riprenderà le operazioni di pulizia.



## Come si usa

### 3. Svuota automaticamente il contenitore della polvere e lava e asciuga i tamponi del mocio

Dopo che il robot ha terminato un'attività di pulizia e torna alla stazione base per ricaricarsi, la stazione base svuota automaticamente il contenitore della polvere, quindi pulisce e asciuga i tamponi del mocio.



#### Nota:

- Se la funzione di svuotamento automatico è disattivata nell'app, la stazione base non svuoterà automaticamente il contenitore della polvere.
- La stazione base svuoterà il contenitore della polvere in base alle impostazioni dell'app.

### 4. Pulire il serbatoio dell'acqua usata

Dopo che il robot ha completato il suo compito, ti preghiamo di pulire il serbatoio dell'acqua usata per evitare qualsiasi odore.

#### Lavare dopo aver passato l'aspirapolvere

Selezionare "Lavaggio dopo l'aspirazione" nell'App e il robot rimuoverà automaticamente il gruppo mocio sulla stazione base per aspirare il pavimento. Al termine dell'aspirazione, il robot tornerà alla stazione base per installare il gruppo mocio e la stazione base svuoterà automaticamente il contenitore della polvere. Quindi, il robot inizierà a lavare dopo aver sollevato la spazzola principale e la spazzola laterale.

#### Solo aspirapolvere

Abilitare la funzione di aspirazione nell'App e il robot rimuoverà automaticamente il gruppo mocio sulla stazione base e inizierà ad aspirare.

#### Solo lavaggio

Selezionare la funzione di lavaggio nell'App e il robot controllerà automaticamente se il gruppo mocio è installato sulla stazione base. In caso contrario, il robot installerà il gruppo mocio e inizierà a lavare dopo aver sollevato le spazzole principali e la spazzola laterale.

## Manutenzione ordinaria

#### Parti di ricambio

Per mantenere il robot in buone condizioni, si raccomanda di fare riferimento all'utilizzo degli accessori nell'app o alla tabella seguente per la manutenzione ordinaria.

Parte	Frequenza di manutenzione	Periodo di sostituzione
Serbatoio dell'Acqua Usato	Dopo ogni utilizzo	/
Serbatoio dell'acqua pulita	Una volta ogni 2 settimane	Ogni 6-12 mesi
Spazzole principali		Ogni 3-6 mesi
Filtro del contenitore della polvere		/
Spazzola laterale		/
Supporti per il tampone del mocio		/
Filtro della piastra di lavaggio	Una volta ogni 1-2 mesi	/
Area di segnalazione della stazione base	Una volta al mese	
Contatti di ricarica		
Bocchette di svuotamento automatico		
Ruota omnidirezionale		
Sensore di bordo		
Sensore VersaLift		
Sensori laser 3D a doppia linea		
Sensore tappeto		
Sensori di dislivello		

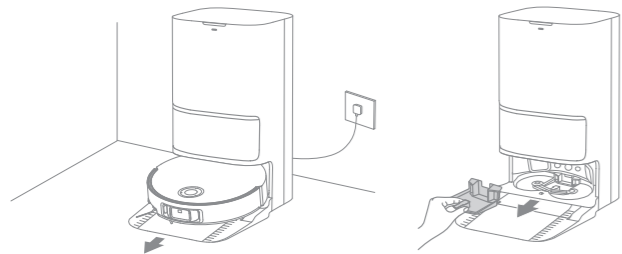
Parte	Frequenza di manutenzione	Periodo di sostituzione
Finestra paraurti	Una volta al mese	/
Paraurti		
Ingresso per il rifornimento automatico di acqua del robot		
Fondo del robot		
Contenitore della polvere		
Ruote principali	Pulire se necessario	/
Ruote di salita ausiliarie		
Sacchetto per la polvere	/	Ogni 2-4 mesi
Tamponi del mocio		Ogni 1-3 mesi
Anticalcare		Ogni 18-36 mesi

**Nota:** La frequenza della manutenzione e della sostituzione dipende dall'uso effettivo. Se si verifica un'eccezione dovuta a circostanze particolari, si consiglia una manutenzione o una sostituzione tempestiva.

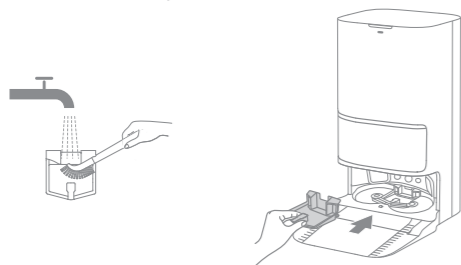
## Manutenzione ordinaria


### Filtro della piastra di lavaggio

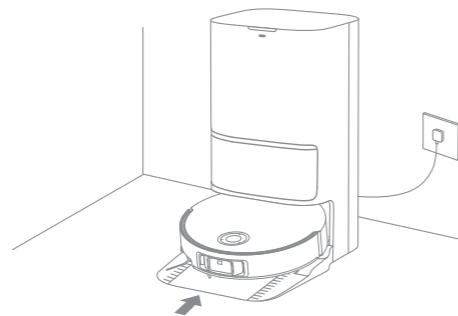
1. Al termine della pulizia del tampone del mocio, estrarre il robot e rimuovere il filtro della piastra di lavaggio.



2. Sciacquare il filtro della piastra di lavaggio con acqua pulita, pulirlo e reinstallarlo nella piastra.



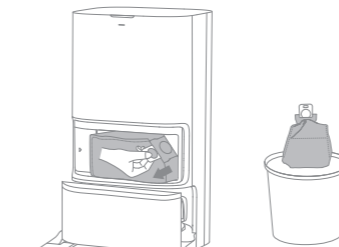
3. Utilizzare l'app o premere il pulsante  per riportare il robot alla stazione base, oppure rimetterlo a posto manualmente.



## Manutenzione ordinaria

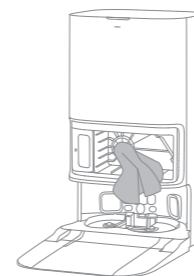
### Sacchetto per la polvere

1. Rimuovere il coperchio del contenitore della polvere e gettare il sacchetto della polvere.

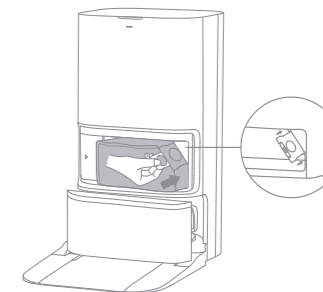


Nota: Tirando verso l'alto la maniglia, il sacchetto viene sigillato per evitare che polvere e detriti cadano accidentalmente.

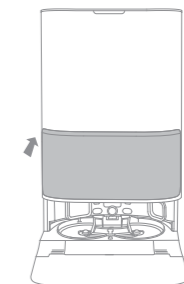
2. Rimuovere la polvere e i detriti dal filtro con un panno asciutto.



3. Installare un nuovo sacchetto per la polvere.



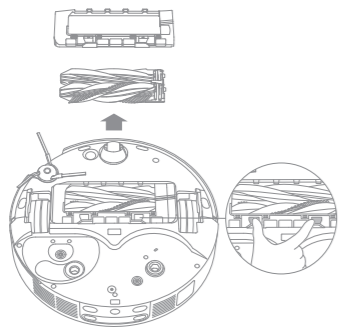
4. Reinstallare il coperchio del contenitore della polvere.



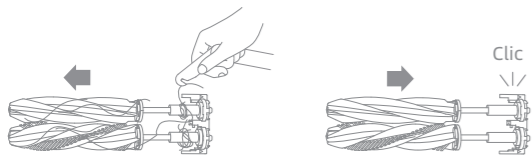
## Manutenzione ordinaria

### Spazzole principali

1. Premere i fermi della protezione della spazzola verso l'interno per rimuoverla e sollevare le spazzole dal robot.

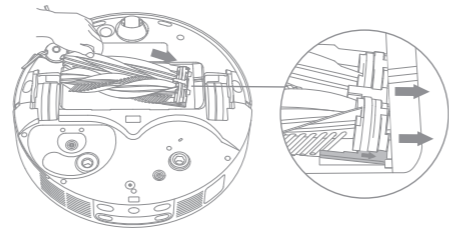


2. Estrarre e pulire le spazzole come mostrato in figura. Utilizzare lo strumento di pulizia in dotazione per rimuovere i peli impigliati nelle spazzole. Dopo la pulizia, spingere con forza le spazzole nella staffa principale fino a farle scattare in posizione.

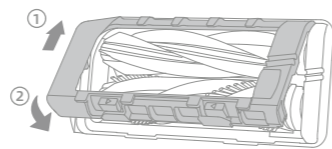


**Nota:** prestare attenzione durante l'estrazione delle spazzole principali per evitare lesioni.

3. Con le frecce serigrafate rivolte verso l'alto, inserire la staffa della spazzola principale nelle fessure verso il basso in direzione inclinata.



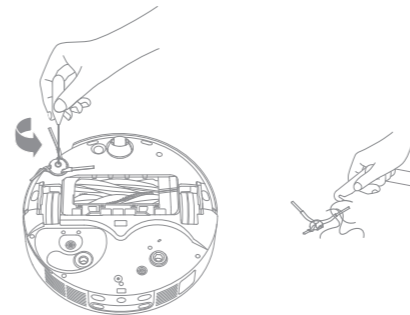
4. Allineare l'estremità anteriore della protezione della spazzola alla fessura, inserirla verso il basso in direzione inclinata e quindi premerla in posizione.



## Manutenzione ordinaria

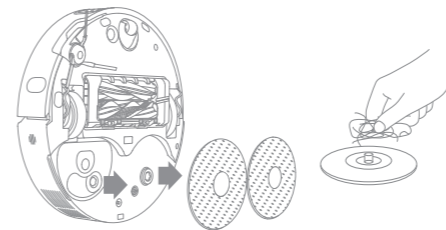
### Spazzola laterale

Svitare la spazzola laterale con un cacciavite, pulire i peli dalla spazzola e riavvitarla.

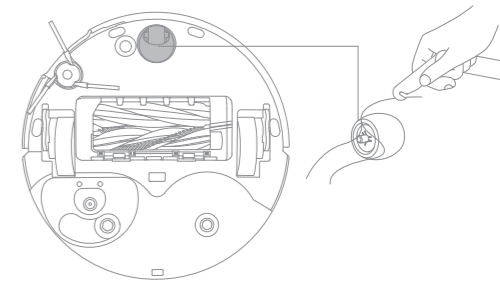


### Supporti per il tampone del mocio

Rimuovere e pulire i supporti per il tampone del mocio



### Ruota omnidirezionale



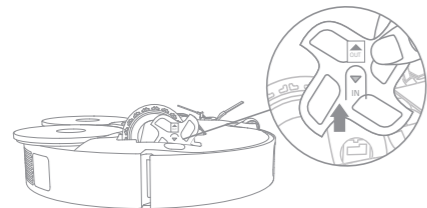
#### **Nota:**

- Utilizzare un utensile, ad esempio un piccolo cacciavite, per separare l'asse e il pneumatico della ruota omnidirezionale. Non usare una forza eccessiva.
- Sciacquare la ruota omnidirezionale sotto l'acqua corrente e rimontarla dopo averla asciugata completamente.

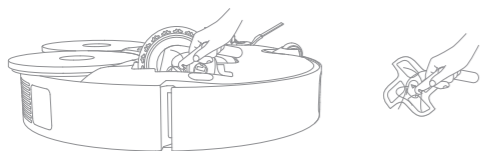
## Manutenzione ordinaria

### Ruote di salita ausiliarie e ruote principali

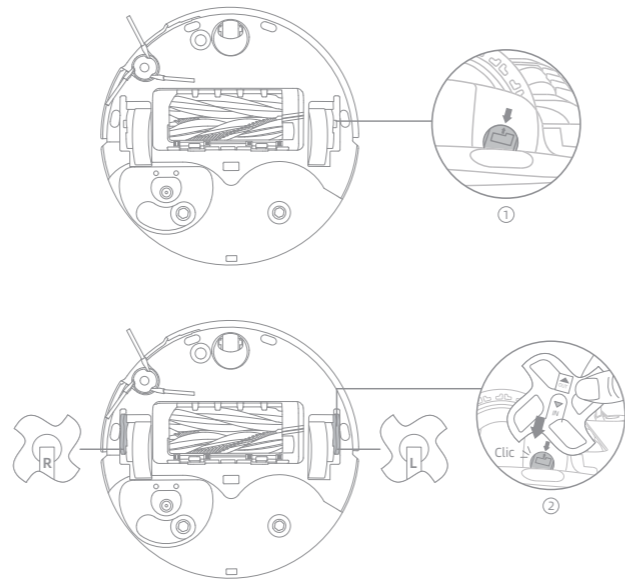
1. Girare la ruota ausiliaria di salita fino a quando la freccia "OUT" è rivolta verso l'alto, quindi estrarre la ruota.



2. Utilizzare uno strumento adeguato per pulire i capelli aggrovigliati nella ruota principale e nella ruota di salita ausiliaria.



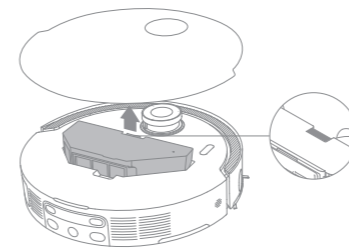
3. Dopo la pulizia, girare la ruota principale per allineare le due frecce (vedere Figura ①). Quindi, con la freccia "IN" rivolta verso il basso, inserire le ruote di salita ausiliarie destra e sinistra fino a farle scattare in posizione. (vedere Figura ②).



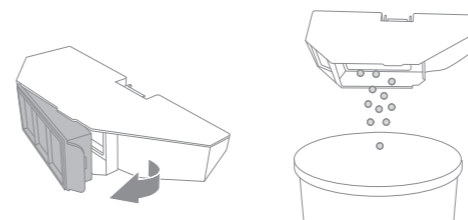
## Manutenzione ordinaria

### Contenitore della polvere e filtro

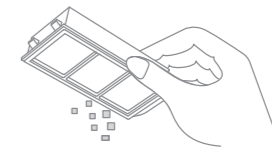
1. Rimuovere il coperchio del robot e premere la clip del contenitore della polvere per rimuoverlo.



2. Rimuovere il filtro del contenitore della polvere e svuotare il contenitore.

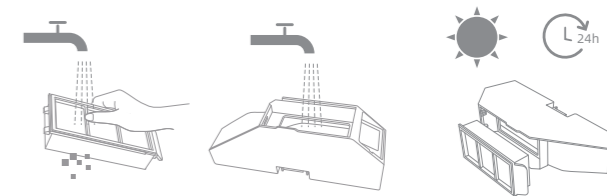


3. Picchiettare delicatamente il cestello del filtro per rimuovere lo sporco.



**Nota:** Non tentare di pulire il filtro con spazzole, dita o oggetti appuntiti per evitare di danneggiarlo.

4. Sciacquare il contenitore della polvere e il filtro con acqua e asciugarli completamente prima di rimontarli.



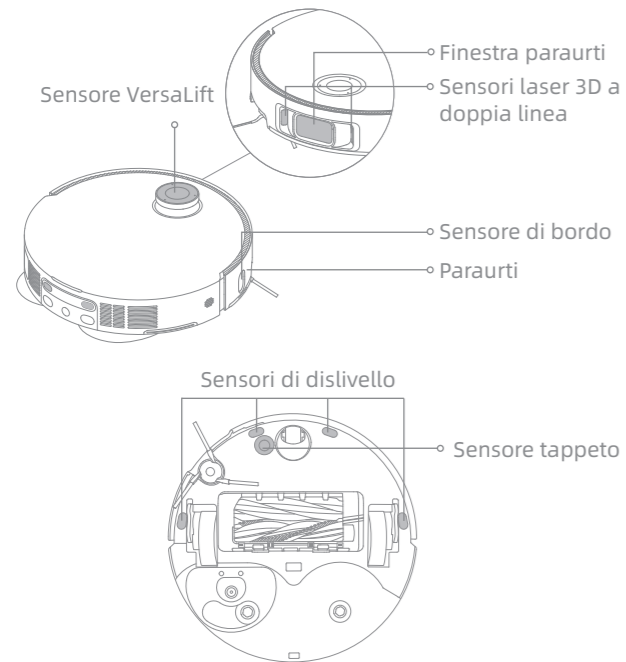
**Nota:**

- Sciacquare il contenitore della polvere e il filtro solo con acqua pulita. Non utilizzare alcun detergente.
- Utilizzare il contenitore della polvere e il filtro solo quando sono completamente asciutti.

## Manutenzione ordinaria

### Sensori del robot

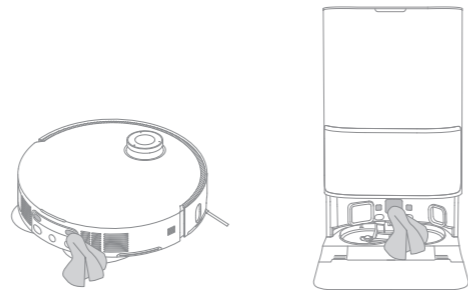
Pulire i sensori del robot con un panno morbido e asciutto, come mostrato nella figura seguente:



**Nota:** Un panno bagnato può danneggiare gli elementi sensibili del robot e della stazione base. Per la pulizia utilizzare un panno asciutto.

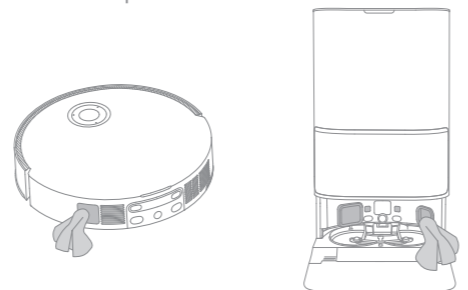
### Contatti di ricarica e area di segnalazione

Pulire i contatti di ricarica e l'area di segnalazione con un panno morbido e asciutto.



### Bocchette di svuotamento automatico

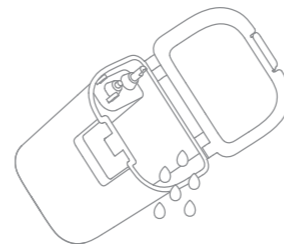
Pulire le bocchette di svuotamento automatico del robot e della stazione base con un panno morbido e asciutto.



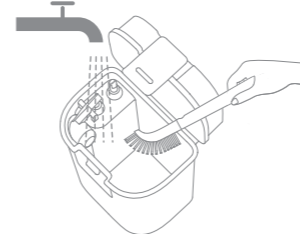
## Manutenzione ordinaria

### Serbatoio dell'Acqua Usato

1. Rimuovere il serbatoio dell'acqua usata, aprire il coperchio e versare l'acqua.



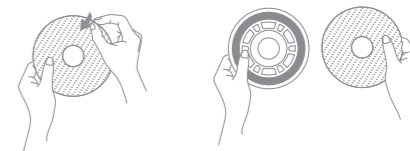
2. Sciacquare il serbatoio dell'acqua usata con acqua pulita e utilizzare lo strumento di pulizia in dotazione per pulire la parete interna del serbatoio.



**Nota:** prestare attenzione durante l'estrazione della spazzola principale per evitare lesioni.

### Tamponi del mocio

Per sostituirli, rimuovere i tamponi dal relativo supporto.



### Batteria



Il robot contiene una batteria agli ioni di litio ad alte prestazioni. Assicurati che la batteria rimanga ben carica durante l'uso quotidiano per mantenere prestazioni ottimali. Se il robot non viene utilizzato per un tempo prolungato, spegnerlo e metterlo via. Per evitare danni dovuti a scariche eccessive, caricare il robot almeno una volta ogni tre mesi.




## Risoluzione dei problemi

Problema	Soluzione
Il robot non si accende.	La batteria è scarica. Ricaricare il robot sulla base e riprovare. La temperatura della batteria è troppo bassa o troppo alta. Si raccomanda di far funzionare l'apparecchio a una temperatura compresa tra 32 °F (0 °C) e 104 °F (40 °C).
Il robot non si carica.	La stazione base non è collegata all'alimentazione, accertarsi che entrambe le estremità del cavo di alimentazione siano collegate correttamente. Il contatto tra i contatti di ricarica della stazione base e il robot è insufficiente; pulire i contatti di ricarica. Verificare la presenza di oggetti estranei sui connettori del robot ed eventualmente rimuoverli.
Il robot non riesce a connettersi al Wi-Fi.	La password della rete Wi-Fi non è corretta. Assicurati che la password utilizzata per la connessione alla rete Wi-Fi sia corretta. Il robot non supporta una connessione Wi-Fi a 5 GHz. Assicurarsi che il robot sia collegato a una connessione Wi-Fi a 2,4 GHz. Il segnale Wi-Fi è debole. Assicurati che il robot si trovi in un'area con una buona copertura Wi-Fi. Il robot potrebbe non essere pronto per essere configurato. Uscire e rientrare nell'App, quindi riprovare come indicato.
Il robot non riesce a trovare e a tornare alla stazione base.	La stazione base è stata scollegata dall'alimentazione o spostata mentre il robot non era su di essa. Collegare la stazione base all'alimentazione o di posizionare il robot sulla stazione base per ricaricarlo. Ci sono troppi ostacoli intorno alla stazione base. Posizionare la stazione base in un'area più aperta. Lo spostamento del robot può comportare il suo riposizionamento e, se il riposizionamento non va a buon fine, ricreerà una mappa. Se il robot è troppo lontano dalla stazione base, potrebbe non essere in grado di tornare automaticamente da solo, nel qual caso sarà necessario posizionare manualmente il robot sulla stazione base. Pulire l'area di segnalazione della stazione base per rimuovere polvere o detriti.

## Risoluzione dei problemi

Problema	Soluzione
Il robot si blocca davanti alla stazione base e non riesce a tornare indietro.	Verificare se lo spazio a disposizione su entrambi i lati o davanti alla stazione base è sufficiente per evitare che il robot venga bloccato. Il percorso di ritorno alla base di ricarica è bloccato, ad esempio la porta è chiusa. Il robot può scivolare se il pavimento davanti alla stazione base è troppo bagnato. In tal caso, pulire l'acqua in eccesso prima di riprovare. Si consiglia di spostare la stazione base in un altro luogo e riprovare. Assicurarsi che la piastra di estensione della rampa sia installata correttamente.
Il robot non si spegne.	Il robot non può essere spento quando è in carica. Si consiglia di allontanare il robot dalla stazione base e di tenere premuto il pulsante  per 3 secondi per spegnerlo. Se non è possibile spegnere il robot eseguendo il punto 1, tenere premuto il pulsante  per 10 secondi per spegnere forzatamente il robot. Se il problema persiste, contattare il servizio post-vendita.
La velocità di ricarica è lenta.	La ricarica completa del robot richiede circa 4,5 ore quando la batteria è scarica. Se si utilizza il robot a temperature che non rientrano nell'intervallo specificato, la velocità di ricarica rallenterà automaticamente per prolungare la durata della batteria. I contatti di ricarica del robot e della stazione base potrebbero essere sporchi; pulirli con un panno asciutto.
Il rumore aumenta durante il funzionamento del robot.	Controllare se il filtro del contenitore della polvere è intasato. In tal caso, pulirlo o sostituirlo. Un oggetto duro può rimanere incastrato nelle spazzole principali o nel contenitore della polvere. Controllare e rimuovere eventuali oggetti duri. Le spazzole principali o quella laterale potrebbero incastrarsi. Controllare e rimuovere eventuali corpi estranei. Commutare la modalità di aspirazione su Standard o Silenzioso.
Il robot si muove senza seguire il percorso impostato.	Oggetti come cavi di alimentazione e pantofole devono essere rimossi prima di utilizzare il robot. Il lavoro su superfici bagnate e scivolose provoca lo slittamento della ruota principale. Si raccomanda di asciugare i punti bagnati prima di utilizzare il robot. Pulire la finestra del paraurti e i sensori laser 3D a doppia linea del robot con un panno morbido e pulito per mantenerli puliti e non ostruiti.

## Risoluzione dei problemi

Problema	Soluzione
Il robot non trova le stanze da pulire.	Assicurati che le porte delle stanze da pulire siano aperte. Il luogo antistante la stanza da pulire potrebbe essere bagnato e scivoloso, causando lo scivolamento del robot e un funzionamento anomalo. Prima di utilizzare il robot, provare ad asciugare il pavimento.
Il robot non riprende la pulizia dopo la ricarica.	Assicurati che il robot non sia impostato sulla modalità Non disturbare (DND), che gli impedisce di riprendere la pulizia. Il robot non riprende la pulizia dopo che è stato riportato manualmente alla stazione base o inviato alla ricarica tramite l'app o il pulsante  .
La stazione non può svuotare automaticamente il contenitore della polvere.	Controllare se il sacchetto della polvere nel contenitore è pieno. Se il sacchetto della polvere non è pieno, verificare se ci sono ostruzioni nelle bocchette di svuotamento automatico del robot, della stazione base o del contenitore della polvere. In tal caso, pulire prontamente la bocchetta ostruita.
Il livello dell'acqua nella piastra di lavaggio è anomalo.	Controllare se la guarnizione del serbatoio dell'acqua usata è allentata o non è installata correttamente e, in tal caso, ripristinarla manualmente. Se il problema persiste, contattare il servizio post-vendita. Premere delicatamente sul serbatoio dell'acqua usata per verificare che sia installato correttamente. Rimuovere la piastra di lavaggio e controllare se lo scarico delle acque reflue è ostruito e pulirlo. Controllare la soluzione detergente. Non aggiungere altri liquidi oltre alla soluzione detergente ufficialmente approvata.
Il supporto del mocio è sollevato in modo anomalo.	Rimuovere il supporto del mocio per verificare che non vi siano oggetti estranei incastrati e provare a riavviare il robot. Se il problema persiste, contattare il servizio post-vendita.
Presenza di acqua sotto il serbatoio dell'acqua pulita o intorno alla guarnizione.	Quando si estrae il serbatoio dell'acqua pulita, è possibile che rimanga dell'acqua nel tubo sotto il serbatoio o intorno alla guarnizione. Questo è normale. Pulire con un panno asciutto.

Per ulteriore supporto, contattateci tramite <https://global.dreametech.com>

## Specifiche

### Robot

Modello	RLL84CE
Tempo di ricarica	Circa 4,5 ore
Tensione nominale	14,4 V $\equiv$
Potenza nominale	75 W
Frequenza di funzionamento	2400-2483,5 MHz
Potenza di uscita massima	< 20 dBm

In condizioni normali di utilizzo, questa apparecchiatura deve essere tenuta a una distanza di almeno 20 cm tra l'antenna e il corpo dell'utente.

Scatola	Manuale	Manuale	Pellicola	Pellicola	Borsa	Maniglia	Pellicola
PAP 20	PAP 21	PAP 22	PVC 3	PET 1	CPE 7	PE 4/PP 5	PP 5
Carta			Plastica				
<b>RACCOLTA DIFFERENZIATA</b>							
<small>Verifica le disposizioni del tuo Comune. Separa le componenti e conferiscile in modo corretto.</small>							

### Stazione base

Modello	RCLE0101
Ingresso nominale	220-240 V ~ 50-60 Hz
Potenza di uscita nominale	20 V $\equiv$ 2 A
Potenza nominale (durante lo svuotamento della polvere)	700 W
Potenza nominale (durante la pulizia con acqua calda)	1160 W
Potenza nominale (durante la carica e l'asciugatura)	87 W

Nota:

- La potenza nominale (durante la pulizia con acqua calda) è determinata dal valore della potenza durante il periodo rappresentativo (temperatura dell'acqua 25 °C).
- La potenza nominale (durante la carica e l'asciugatura) è determinata dal valore della potenza a pieno carico.

## Smaltimento e rimozione della batteria

La batteria agli ioni di litio incorporata contiene sostanze pericolose per l'ambiente. Prima di smaltire la batteria, assicurarsi che venga rimossa da tecnici qualificati e smaltita presso un centro di riciclo appropriato.

- la batteria deve essere rimossa dall'apparecchio prima di essere rottamata;
- l'apparecchio deve essere scollegato dalla rete di alimentazione quando si rimuove la batteria;
- la batteria deve essere smaltita in modo sicuro.

### ATTENZIONE:

Prima di rimuovere la batteria, scollega l'alimentazione ed esaurisci la batteria il più possibile.

Le batterie non necessarie devono essere smaltite presso un centro di riciclaggio appropriato.

Non esporre ad ambienti ad alta temperatura per evitare rischi di esplosione.

In caso di condizioni difficili, è possibile che il liquido venga espulso dalla batteria. In caso di contatto, sciacquare con acqua e consultare un medico.

### Guida alla rimozione:

1. Capovolgere il robot, utilizzare uno strumento appropriato per rimuovere le viti sul retro del robot, quindi rimuovere il coperchio.
2. Scollegare i terminali tra la batteria e la scheda PCB per rimuovere la batteria.

### Informazioni RAEE



Tutti i prodotti contrassegnati da questo simbolo sono rifiuti di apparecchiature elettriche ed elettroniche (RAEE come da direttiva 2012/19/UE) che non devono essere mescolati con i rifiuti domestici indifferenziati. Per proteggere la salute umana e l'ambiente, invece, è necessario consegnare i rifiuti di apparecchiature a un punto di raccolta designato per il riciclaggio dei rifiuti di apparecchiature elettriche ed elettroniche, nominato dal governo o dalle autorità locali. Lo smaltimento e il riciclo corretti aiutano a prevenire potenziali conseguenze negative per l'ambiente e la salute umana. Per ulteriori informazioni sull'ubicazione e sui termini e le condizioni di tali punti di raccolta, contattare l'installatore o le autorità locali.

## Información sobre seguridad

Para evitar una descarga eléctrica, incendios o lesiones provocados por un uso indebido del aparato, debe leer el manual de usuario cuidadosamente antes de usar el aparato y guardarlo para consultas futuras.

### Restricciones de uso

- Este producto no debe ser usado por niños de menos de 8 años ni personas con deficiencias físicas, sensoriales, intelectuales, o experiencia o conocimiento limitados sin la supervisión de un adulto o tutor para asegurar un uso seguro y evitar riesgos. La limpieza y el mantenimiento no deben ser realizados por niños sin supervisión.
- El aparato únicamente se debe usar con la unidad de suministro de energía proporcionada con el aparato.
- Este aparato cuenta con baterías que únicamente pueden ser sustituidas por personas cualificadas.
- Despeje el área a limpiar. Los niños no deben jugar con el aparato. Asegúrese de que niños y mascotas se encuentren a una distancia segura del robot mientras esté en funcionamiento.
- No instale, cargue ni use el aparato en los baños o alrededor de las piscinas.
- Este producto es únicamente para la limpieza de suelos en un entorno doméstico. No lo use en exteriores, en superficies que no sean el suelo, ni en un establecimiento comercial o industrial.
- Asegúrese de que el aparato funciona correctamente en un ambiente apropiado. De otro modo, no use el aparato.
- Si el cable de alimentación está dañado, debe ser sustituido por un cable especial o conjunto suministrado por el fabricante o su agente de servicio.

## Información sobre seguridad

- Restricciones de uso**
- No use el robot en un área suspendida por encima del nivel del suelo sin barrera protectora.
  - No coloque el robot boca abajo. No use la cubierta del LDS, la cubierta del robot o el paragolpes como asa para el robot.
  - Use el robot en ambientes con una temperatura ambiente por encima de 0 °C y por debajo de 40 °C. Asegúrese de no haya líquido o sustancias pegajosas en el suelo.
  - Para evitar daños por arrastre, despeje los objetos sueltos del suelo y retire los cables o los cables de alimentación del camino de limpieza antes de poner en funcionamiento el aparato.
  - Retire artículos frágiles o pequeños del suelo para impedir que el robot choque con ellos y los dañe.
  - Mantenga el pelo, los dedos y otras partes corporales lejos de la abertura de succión del robot.
  - Mantenga la herramienta de limpieza fuera del alcance de los niños.
  - No utilice el aparato en una habitación en la que duerman bebés o niños.
  - No coloque niños, mascotas o algún artículo encima del robot, independientemente de si está parado o en movimiento.
  - Únicamente agua limpia y la solución de limpieza oficialmente aprobada pueden añadirse al depósito de agua limpia. No añada otros líquidos tales como alcohol o desinfectante. La proporción de solución de limpieza y agua limpia puede comprobarse en la botella de solución de limpieza. Mantenga la solución de limpieza fuera del alcance de los niños.

## Información sobre seguridad

- Restricciones de uso**
- No use el robot para limpiar objetos que arden. No use el robot para recoger líquidos inflamables o combustibles, gases corrosivos, o ácidos o solventes sin diluir.
  - No aspire objetos duros o afilados. No use el aparato para recoger objetos tales como piedras, pedazos grandes de papel o algún artículo que pueda taponar el aparato.
  - Antes de limpiar o realizar el mantenimiento en el aparato hay que retirar el enchufe de la toma de corriente.
  - No restriegue el robot o la estación base con un trapo mojado ni lo enjuague con líquido. Después de limpiar las piezas lavables, séquelas totalmente antes de volver a instalarlas y utilizarlas.
  - Use este producto según las instrucciones del Manual de Usuario. Los usuarios son responsables de cualquier pérdida o daño que puedan producirse por el uso indebido de este producto.
- Baterías y carga**
- No use baterías o estaciones base de terceros. El robot únicamente se puede usar con la estación base modelo RCLE0101.
  - No intente usted mismo desensamblar, reparar o modificar la batería o la estación base.
  - No coloque la estación base cerca de una fuente de calor.
  - No use un trapo o las manos mojados para restregar o limpiar los contactos de carga de la estación base.
  - No deseche incorrectamente las baterías antiguas. Las baterías no necesarias deben desecharse en instalaciones de reciclaje apropiadas.

## Información sobre seguridad

### Baterías y carga

- Si el cable de alimentación se daña o se rompe, deje de utilizarlo de inmediato y contacte con el servicio de posventa.
- Asegúrese de que el robot esté apagado cuando vaya a ser transportado y manténgalo en su embalaje original si es posible.
- Si el robot no se va a usar durante un periodo de tiempo prolongado, cárguelo totalmente, apáguelo y almacénelo en un lugar fresco y seco. Recargue el robot al menos una vez cada 3 meses para evitar que la batería se descargue en exceso.

### Información sobre seguridad láser

- El sensor láser de este producto cumple la Norma IEC 60825- 1:2014/EN 60825-1:2014/A11:2021 para productos láser Clase 1. Cuando lo use, evite el contacto directo con los ojos.

PRODUCTO LÁSER CLASE 1

PRODUCTO LÁSER DE CONSUMO

EN 50689:2021



Solo para uso en interiores

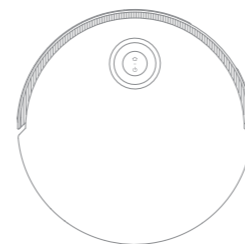


Lea el manual del operador

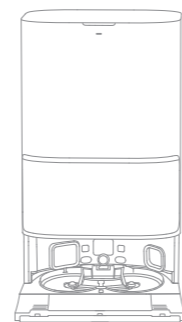
Por la presente, Dreame Trading(Tianjin) Co., Ltd. declara que el equipo de radio tipo RLL84CE cumple la Directiva 2014/53/UE. El texto completo de la declaración de conformidad de la UE está disponible en la siguiente dirección web: <https://global.dreameotech.com>  
Para un manual electrónico detallado, vaya a la dirección <https://global.dreameotech.com/pages/user-manuals-and-faqs>

## Descripción general del producto

### Contenido del embalaje

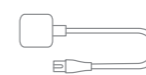


Robot



Estación base

### Otros accesorios



Cable de alimentación



Placa de extensión de rampa de la estación base



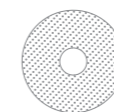
Manual de Usuario



Compartimento de detergente automático (preinstalada)



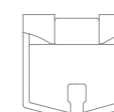
Bolsa de polvo x2 (1 preinstalada)



Mopa x 2 (preinstalada)



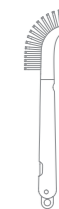
Soporte de almohadilla de mopa x2



Filtro de la bandeja de lavar (preinstalada)



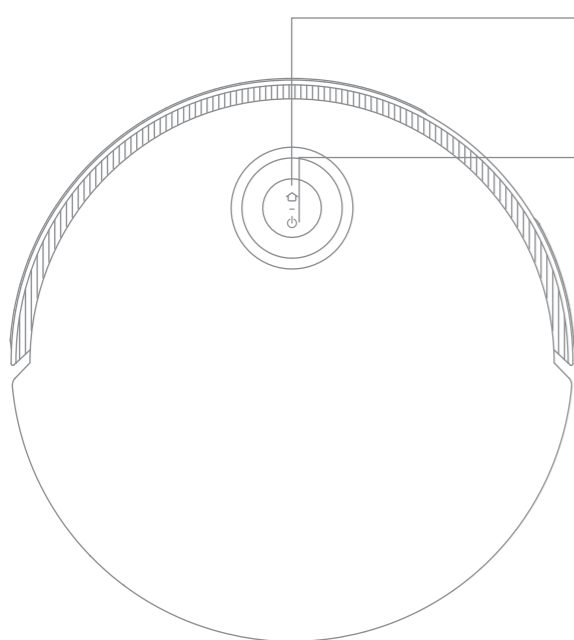
Solución de limpieza



Herramienta de limpieza

## Descripción general del producto

### Robot



- 🏠 **Botón de atraque**
  - Pulse para enviar el robot de regreso a la estación base
  - Mantenga pulsado durante 3 segundos para desactivar el bloqueo infantil

- 🔌 **Botón de encendido / limpieza**
  - Mantenga pulsado durante 3 segundos para encender o apagar
  - Pulse para empezar a limpiar después de encender el robot

#### Indicador de estado circular

- Azul fijo: Limpieza completada
- Verde fijo: Carga
- Parpadeo en naranja: Error

#### Indicador de estado del botón

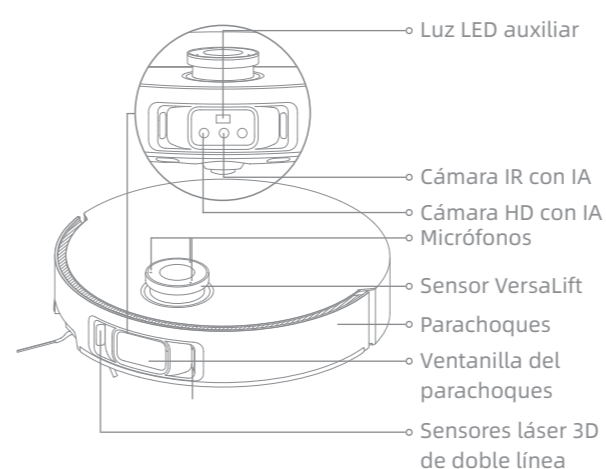
- Blanco fijo: Limpieza completada
- Parpadeo lento en blanco: Carga (sin baja batería)
- Naranja fijo: En espera con poca batería o pausado con poca batería
- Parpadeo lento en naranja: Carga (batería baja)
- Parpadeo en naranja: Error
- Parpadeo en rosa: Cámara activada

#### Nota:

- Pulse cualquier botón en el robot para pausar mientras el robot esté limpiando o volviendo para cargar.
- El bloqueo infantil se puede activar/desactivar mediante la aplicación Dreamehome.

## Descripción general del producto

### Robot y sensores



○ Luz LED auxiliar

○ Cámara IR con IA

○ Cámara HD con IA

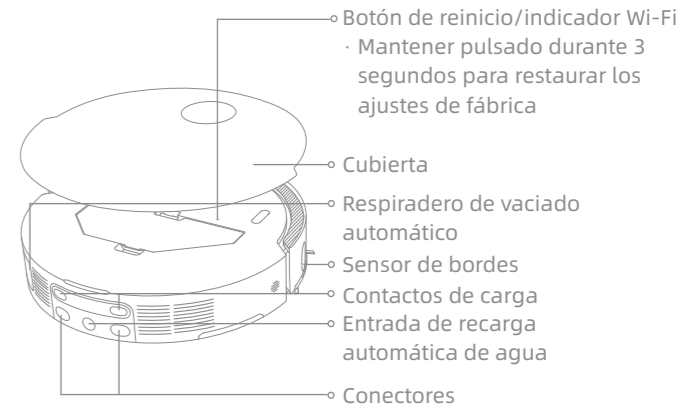
○ Micrófonos

○ Sensor VersaLift

○ Parachoques

○ Ventanilla del parachoques

○ Sensores láser 3D de doble línea



○ Botón de reinicio/indicador Wi-Fi  
· Mantener pulsado durante 3 segundos para restaurar los ajustes de fábrica

○ Cubierta

○ Respiradero de vaciado automático

○ Sensor de bordes

○ Contactos de carga

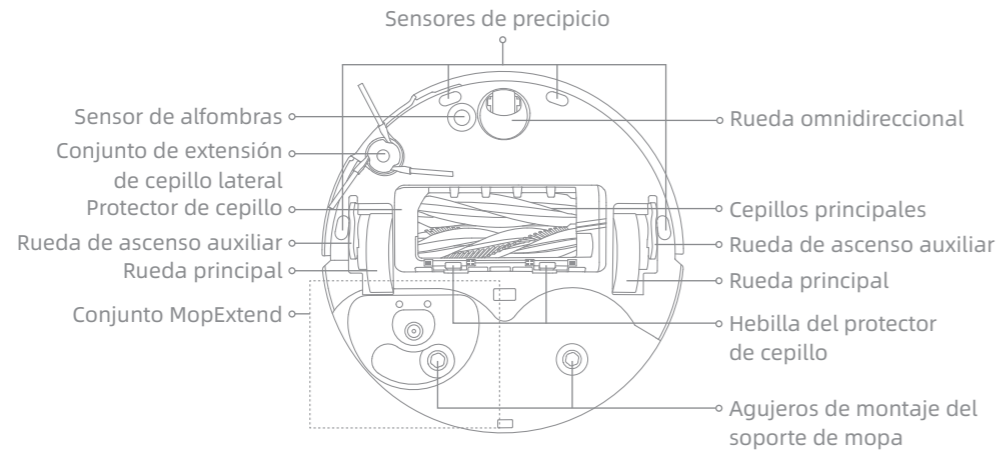
○ Entrada de recarga automática de agua

○ Conectores

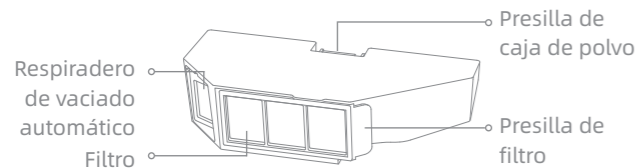
**Nota:** El sensor VersaLift se bajará cuando el robot esté en modo de espera, cargando en la estación base o limpiando las áreas de poco espacio libre. En caso de limpiar las áreas de poco espacio libre, no mueva el robot, ya que puede afectar a su posicionamiento.

## Descripción general del producto

### Robot y sensores



### Caja de polvo

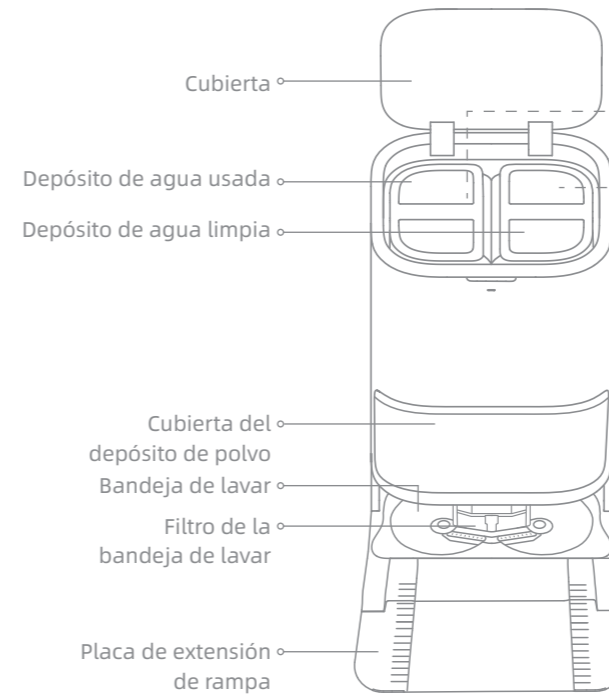


### Conjunto de mopa

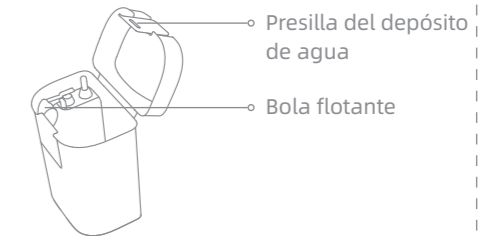


## Descripción general del producto

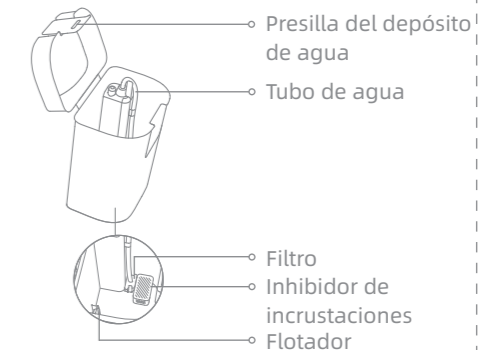
### Estación base



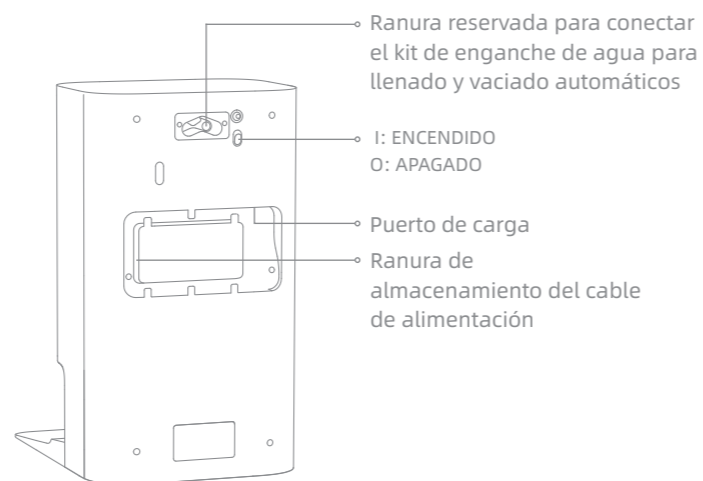
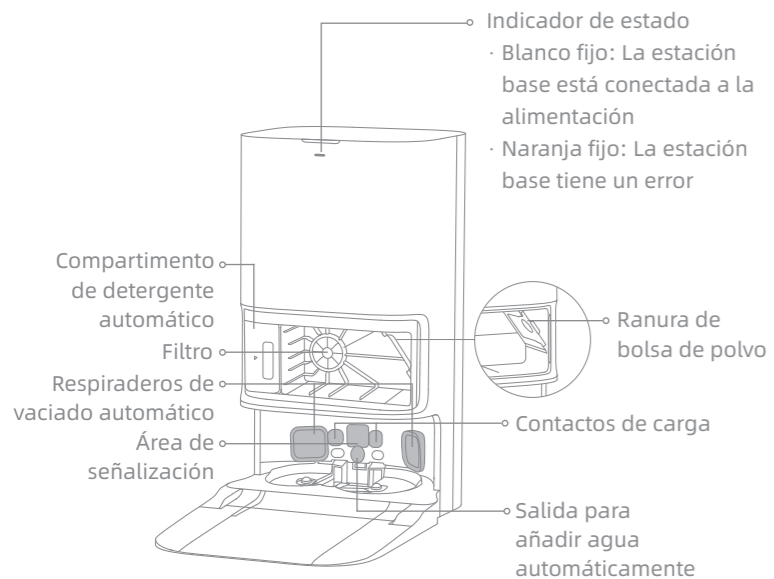
### Depósito de agua usada



### Depósito de agua limpia

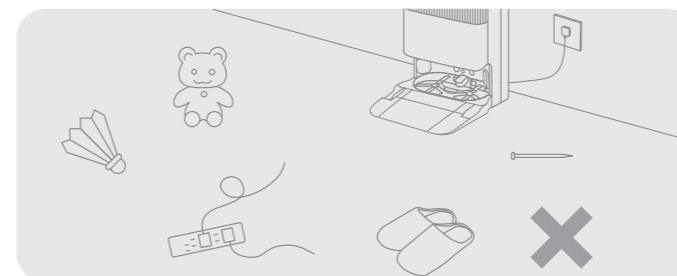


## Estación base

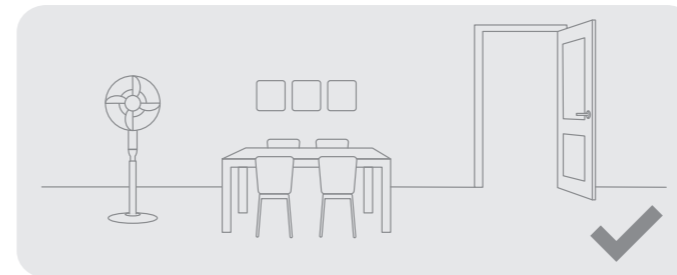


**Nota:** El kit de enganche de agua para llenado y vaciado automáticos se tiene que comprar por separado. (Únicamente disponible en regiones específicas)

## Preparando su hogar



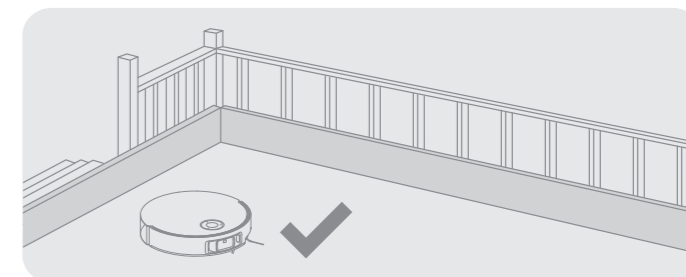
Antes de limpiar, retire los artículos inestables, frágiles, valiosos o peligrosos, y recoja los cables, la ropa, los juguetes y los objetos afilados y rígidos del suelo para evitar que se enreden, se arañen o se golpeen con el robot causando pérdidas.



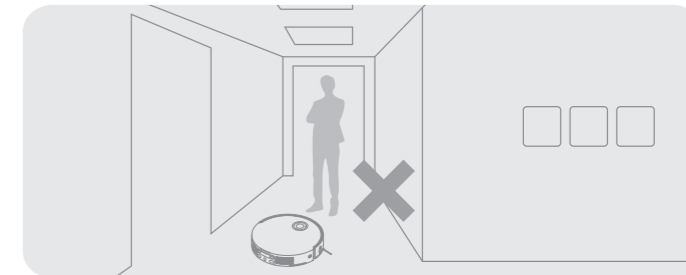
Abra la puerta de la habitación que va a limpiar y coloque los muebles en el lugar apropiado para hacer más espacio.

**Nota:**

- Cuando utilice el robot por primera vez, sígalo mientras realiza la limpieza para quitar de inmediato cualquier obstáculo potencial.
- La luz LED auxiliar proporcionará iluminación auxiliar en ambientes con poca luz.
- No aspire objetos rígidos como piedras, bolas de acero ni piezas de juguetes, u objetos afilados como residuos de construcción, cristales rotos y clavos, de lo contrario el suelo podría rayarse.



Antes de empezar a limpiar, ponga una barrera física en el borde de las escaleras para garantizar un funcionamiento seguro y fluido del robot.



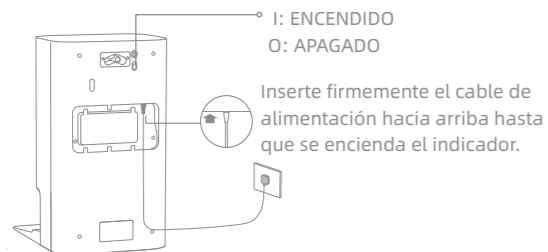
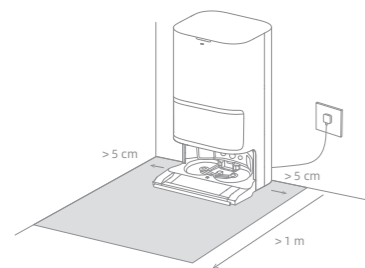
Para evitar que el robot no reconozca áreas que se tienen que limpiar, no permanezca de pie delante del robot, el umbral, en el pasillo o lugares estrechos.



## Antes de usar

### 1. Colocar la estación base y conectar a una toma eléctrica

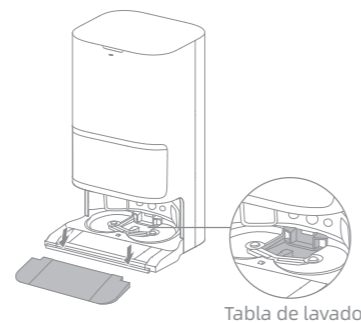
Coloque la estación base en un lugar lo más abierto posible con una buena señal Wi-Fi. Deje suficiente espacio como se muestra en la figura y retire los objetos en el área sombreada. Inserte el cable de alimentación en la estación base y conéctelo a la toma.



#### Nota:

- Asegúrese de que ningún objeto pueda bloquear el área de señalización.
- Para evitar que las manchas de agua mojen los suelos de madera o las alfombras, se recomienda colocar la estación base sobre suelos de baldosas o de mármol.

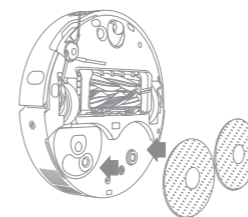
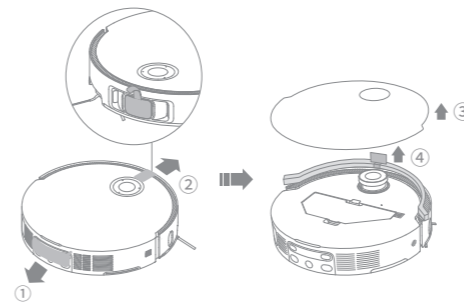
### 2. Instalar la placa de extensión de rampa




Nota: Asegúrese de que el filtro de la bandeja de lavar esté instalado en su sitio.

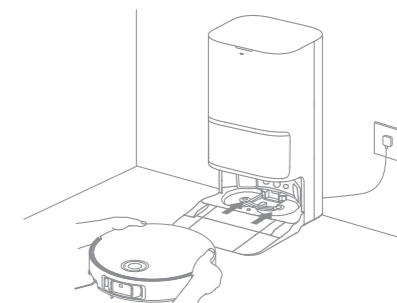
## Antes de usar

### 3. Retirar las protecciones del robot e instalar el conjunto de mopa



### 4. Conectar el Robot a la estación base

Mantenga pulsado el botón  en el robot durante 3 segundos para encenderlo. Coloque el robot sobre la estación base con el conjunto de mopa mirando hacia la bandeja de lavar. Se oirá una notificación por voz cuando el robot se conecte con éxito a la estación base. Después de cargar totalmente el robot, los indicadores de estado en el robot y la estación base permanecerán iluminados durante 10 minutos y luego se atenuarán.

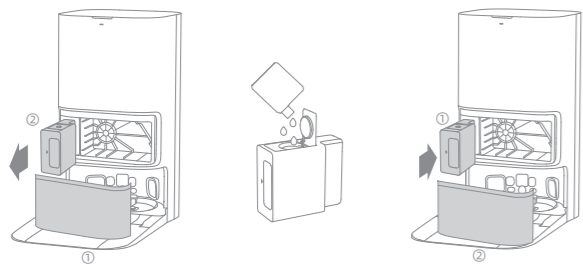


Nota: Antes de usarlo por primera vez, se recomienda cargar totalmente el robot. Cuando el robot no se pueda encender después de agotarse la batería, conecte manualmente el robot a la estación base para cargarlo.

## Antes de usar

### 5. Añadir la solución de limpieza

- (1) Retire la cubierta del depósito de polvo y saque el compartimento de detergente automático.
- (2) Abra la tapa superior del compartimento y añada solución de limpieza.
- (3) Cierre la tapa del compartimento, colóquelo de nuevo en la estación base y luego vuelva a montar la cubierta del depósito de polvo. La solución de limpieza se añadirá automáticamente al trabajar.

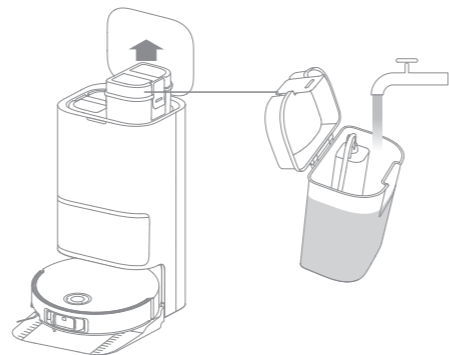


#### Nota:

- El compartimento de detergente automático se puede llenar con solución de limpieza para su uso. Para evitar un mal funcionamiento, no añada líquido distinto a la solución de limpieza oficialmente aprobada.
- Instale el compartimento de detergente automático hasta que encaje en su sitio.

### 6. Añada agua al depósito de agua limpia

Saque el depósito de agua limpia de la estación base y llénelo con agua limpia. A continuación, instálelo de nuevo en la estación base.

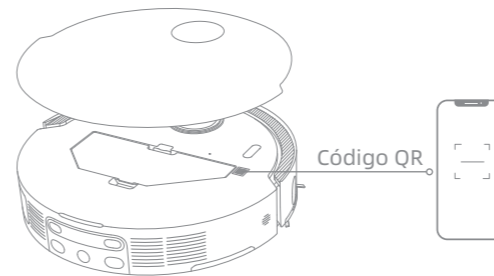


**Nota:** No llene el depósito de agua con agua caliente, esto podría provocar que el depósito se deforme.

## Conexión con la app Dreamehome

### 1. Descargar la app Dreamehome

Retire la cubierta del robot y escanee el código QR del robot, o busque "Dreamehome" en la App Store para descargarla e instalarla.



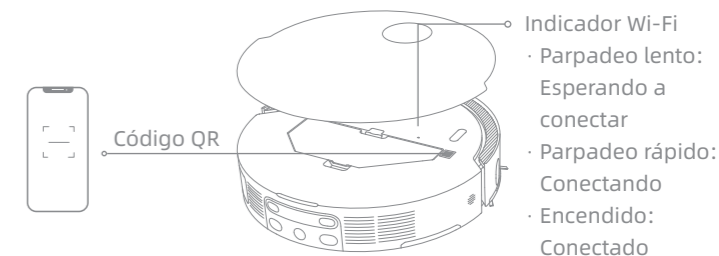
#### Nota:

- Solo compatible con Wi-Fi de 2,4 GHz.
- Debido a actualizaciones del software de la app, el funcionamiento real puede diferir de las indicaciones que hay en este manual. Siga las instrucciones en función de la versión actual de la app.

### 2. Añadir un dispositivo



Abra la app Dreamehome, toque "Escanear el código QR para conectarse" y vuelva a escanear el mismo código QR en el robot para añadir el dispositivo. Siga las indicaciones para finalizar la conexión Wi-Fi.

**Nota:** Para restablecer la Wi-Fi, repita el paso 2 y luego siga las indicaciones para finalizar la conexión Wi-Fi.



## Modo de uso

### Encender/apagar

Mantenga pulsado el botón  durante 3 segundos para encender el robot. El indicador de encendido permanecerá encendido. O bien, coloque el robot en la estación base alineando los contactos de carga del robot con los de la estación base, y, a continuación, el robot se encenderá automáticamente y empezará a cargar. Para apagar el robot, aléjelo de la estación base y mantenga pulsado el botón  durante 3 segundos.

### Mapeo rápido

Después de configurar la red por primera vez, siga las instrucciones de la aplicación para crear rápidamente un mapa. El robot comenzará a mapear sin limpiar. El proceso de mapeo se completará cuando el robot regrese a la estación base y el mapa se guardará automáticamente.

### Pausa/Reposo

Cuando el robot esté funcionando, pulse cualquier botón para pausarlo.

Si el robot está pausado más de 10 minutos, entra automáticamente en modo de reposo. Todos los indicadores del robot se apagan. Para activar el robot, pulse cualquier botón del robot o la estación base, o use la app.

**Nota:** Si el robot se pone en pausa y se coloca en la estación base, termina el proceso de limpieza actual.

### Reanudación automática de la limpieza

Si las baterías tienen muy poca carga, el robot vuelve automáticamente a la estación base para cargar. Después de cargar hasta el nivel de batería adecuado, el robot retomará las tareas de limpieza no finalizadas.

**Nota:** Para usar esta función, actívela en la app.



### Modo No molestar (DND)

Cuando el robot se pone en el modo No Molestar (DND), impedirá que el robot retome la limpieza. El modo DND está inhabilitado de manera predeterminada desde la fábrica. Se puede usar la app para habilitar el modo DND o modificar el periodo DND. El periodo DND es 22:00-8:00 de manera predeterminada.

**Nota:**

- Las tareas de limpieza programada se realizarán de la manera habitual durante el periodo DND.
- Cuando termine el periodo DND, el robot reanudará la limpieza donde la dejó.

### Reinicio del robot


Si el robot deja de responder o no puede apagarse, mantenga pulsado el botón  durante 10 segundos para forzar el apagado. A continuación, mantenga pulsado el botón  durante 3 segundos para encender el robot.

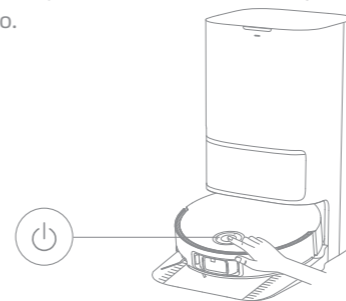
## Modo de uso

### Aspirar y pasar la mopa

**Nota:** Cuando se usa el conjunto de mopa por primera vez, el robot realiza la tarea de "Aspirar y pasar la mopa" de manera predeterminada.

#### 1. Empezar a limpiar

Pulse el botón  en el robot o use la app para que el robot empiece desde la estación base. Luego el robot planificará la ruta de limpieza óptima y realizará la tarea de limpieza en función del mapa creado.

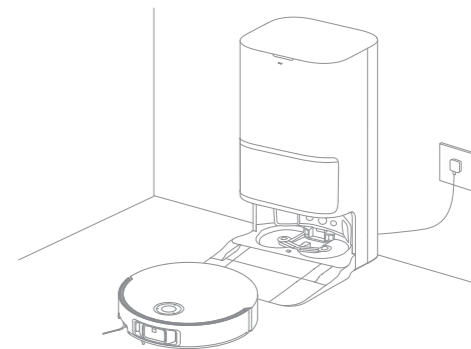


**Nota:**

- Para asegurarse de que el robot vuelve fácilmente a la estación base después de limpiar, se recomienda hacer que el robot empiece desde la estación base.
- Las mopas se limpiarán antes de que el robot comience a pasar la mopa, espere con paciencia.
- No mueva la estación base, el depósito de agua limpia, el depósito de agua usada o el filtro de la bandeja de lavar Filtro durante su funcionamiento.
- La limpieza con agua caliente puede activarse en la app para lavar las mopas, lo que se aplica a todos los modos. Para evitar quemaduras, no toque la salida de agua de cuando la función esté activada.

#### 2. Lavado automático de la mopa

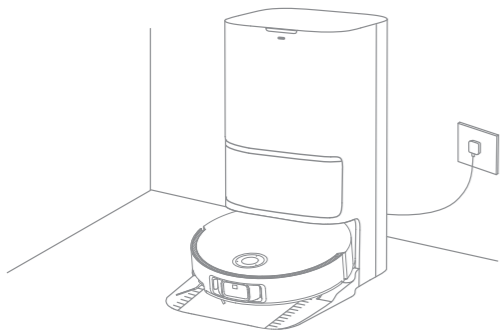
Cuando está limpiando, el robot vuelve automáticamente a la estación base para lavar las mopas en función de la frecuencia de limpieza de mopa especificada en la app. La estación base recargará automáticamente el depósito de agua del robot y este retomará la limpieza.



## Modo de uso

### 3. Vaciar automáticamente la caja de polvo y lavar y secar las mopas

Cuando el robot finaliza una tarea de limpieza y vuelve a la estación base para cargarse, la estación base vaciará automáticamente la caja de polvo y después lavará y secará las mopas.



#### Nota:

- Si la función de vaciado automático está desactivada en la app, la estación base no vaciará automáticamente la caja de polvo.
- La estación base vaciará la caja de polvo según el ajuste en la app.

### 4. Limpieza del depósito de agua usada

Cuando el robot haya completado su tarea, limpie el depósito de agua usada para evitar olores.

#### Pasar la mopa después de aspirar

Active la función de pasar la mopa después de aspirar en el app y el robot retirará automáticamente el conjunto de mopa en la estación base para aspirar el suelo. Después de aspirar, el robot volverá a la estación base para instalar el conjunto de mopa y la estación base vaciará automáticamente la caja de polvo. Y, a continuación, el robot empezará a pasar la mopa después de levantar los cepillos principales y el cepillo lateral.

#### Solo aspirar

Active la función de aspirar en la app y el robot retirará automáticamente el conjunto de mopa en la estación base y empezará a aspirar.

#### Solo mopa

Active la función de pasar la mopa en la app y el robot comprobará automáticamente si el conjunto de mopa está instalado en la estación base. Si no es así, el robot instalará el conjunto de mopa y empezará a pasarla después de subir los cepillos principales y el cepillo lateral.

## Mantenimiento rutinario

#### Piezas

Para mantener el robot en buenas condiciones, se recomienda consultar el uso de accesorios en la app o en la siguiente tabla de mantenimiento rutinario.

Pieza	Frecuencia de mantenimiento	Frecuencia de sustitución
Depósito de agua usada	Después de cada uso	/
Depósito de agua limpia	Una vez cada 2 semanas	Cada 6 a 12 meses
Cepillos principales		Cada 3 a 6 meses
Filtro de la caja de polvo		
Cepillo lateral		
Soportes de mopa		/
Filtro de la bandeja de lavar	Una vez cada 1 a 2 meses	/
Área de señalización de la estación base	Una vez al mes	
Contactos de carga		
Respiraderos de vaciado automático		
Rueda omnidireccional		
Sensor de bordes		
Sensor VersaLift		
Sensores láser 3D de doble línea		
Sensor de Alfombras		
Sensores de precipicio		

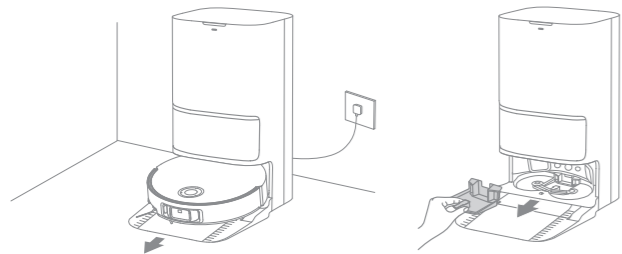
Pieza	Frecuencia de mantenimiento	Frecuencia de sustitución
Ventanilla del parachoques	Una vez al mes	/
Parachoques		
Entrada de recarga automática de agua del robot		
Parte inferior del robot		
Caja de polvo	Limpie cuando sea necesario	
Ruedas principal		
Ruedas de ascenso auxiliares		
Bolsa de polvo		Cada 2 a 4 meses
Mopas	/	Cada 1 a 3 meses
Inhibidor de incrustaciones		Cada 18 a 36 meses

**Nota:** La frecuencia de mantenimiento y sustitución depende del uso real. Si ocurre una excepción debido a circunstancias especiales, se recomienda un mantenimiento o sustitución inmediatos.

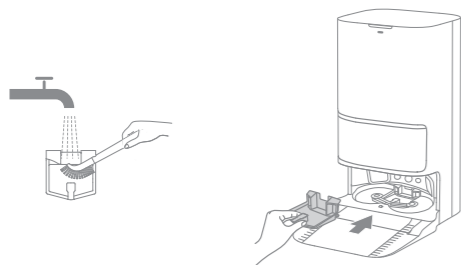
## Mantenimiento rutinario

### Filtro de la bandeja de lavar

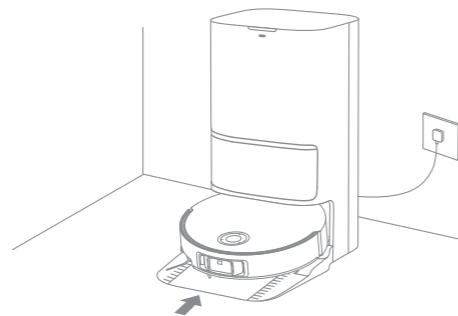
1. Saque el robot y retire el filtro de la bandeja de lavar una vez se complete la limpieza de la mopa.



2. Enjuague el filtro de la bandeja de lavar con agua limpia, límpielo y, a continuación, vuelva a instalarlo en la bandeja de lavar.



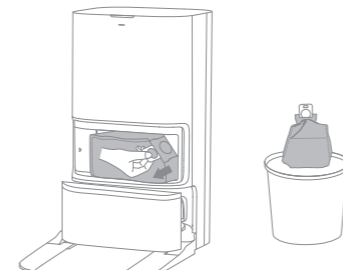
3. Use la app o pulse el botón  para devolver el robot a la estación base, o colóquelo manualmente.



## Mantenimiento rutinario

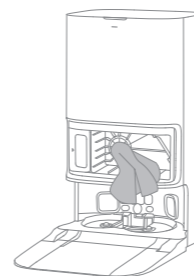
### Bolsa de polvo

1. Retire la cubierta del depósito de polvo y deseche la bolsa de polvo.

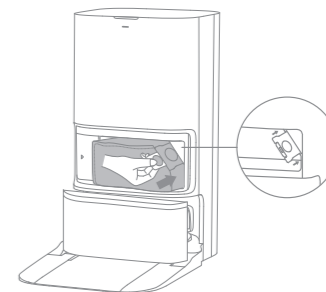


**Nota:** Tirar del tirador hacia arriba sellará la bolsa para evitar que polvo y restos se caigan accidentalmente.

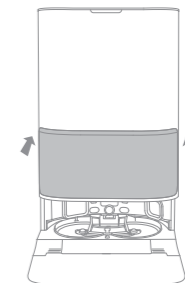
2. Quite el polvo y la suciedad del filtro con un paño seco.



3. Instale una nueva bolsa de polvo.



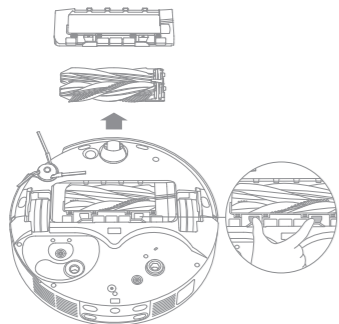
4. Reinstale la cubierta del depósito de polvo.



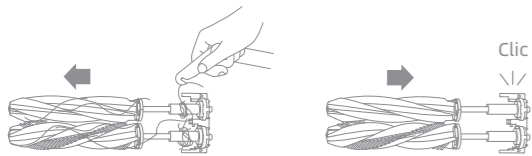
## Mantenimiento rutinario

### Cepillos principales

1. Presione las presillas del protector de cepillo hacia dentro para quitar el protector de cepillo y sacar los cepillos del robot.

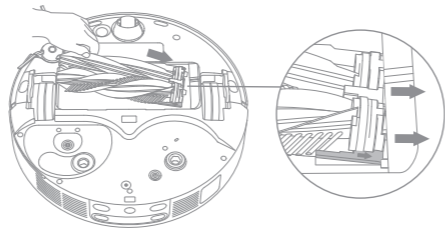


2. Retire los cepillos como se muestra en la figura. Use la herramienta de limpieza proporcionada para quitar los pelos enredados en los cepillos. Después de la limpieza, presione firmemente para introducir los cepillos en el soporte del cepillo principal hasta que escuche un chasquido.

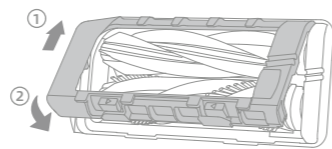


**Note:** Tenga cuidado cuando retire los cepillos principales para evitar lesiones.

3. Con las flechas impresas mirando hacia arriba, inserte el soporte del cepillo principal en los huecos inclinándolo hacia abajo.



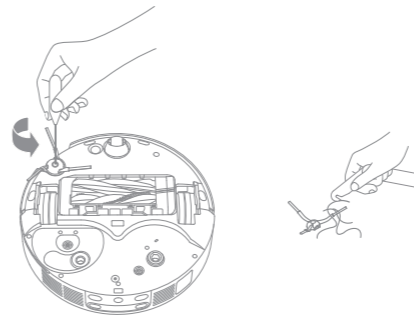
4. Alinee la parte delantera del protector de cepillo con el hueco, insértelo inclinándolo hacia abajo, y luego presiónelo en su lugar.



## Mantenimiento rutinario

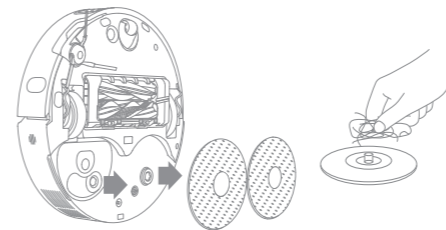
### Cepillo lateral

Desenrosque el cepillo lateral con un destornillador, quite el pelo del cepillo, y vuelva a enroscarlo.

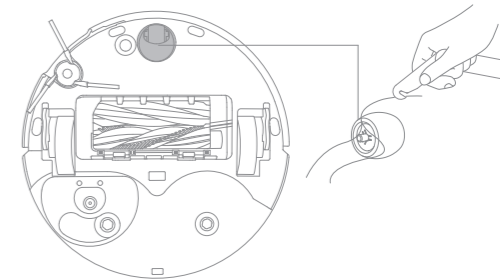


### Soportes de mopa

Retire y limpie los soportes de mopa.



### Rueda omnidireccional



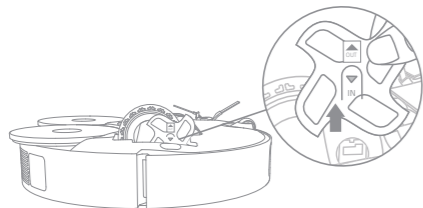
#### **Nota:**

- Use una herramienta como un pequeño destornillador para separar el eje y el neumático de la rueda omnidireccional. No ejerza excesiva fuerza.
- Enjuague la rueda omnidireccional con agua corriente y vuelva a ponerla después de secarla completamente.

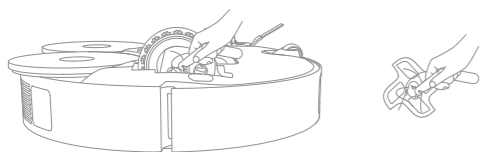
## Mantenimiento rutinario

### Ruedas de ascenso auxiliares y ruedas principales

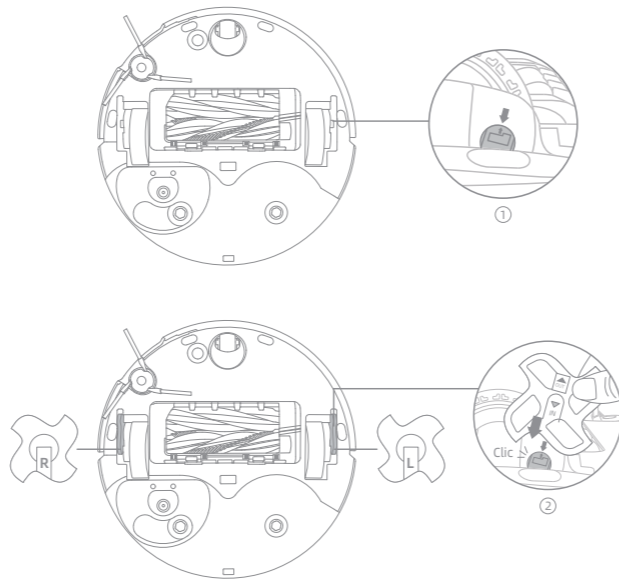
1. Gire la rueda de ascenso auxiliar hasta que la flecha "OUT" apunte hacia arriba y, a continuación, saque la rueda.



2. Utilice una herramienta adecuada para quitar los pelos enredados en la rueda principal y la rueda de ascenso auxiliar.



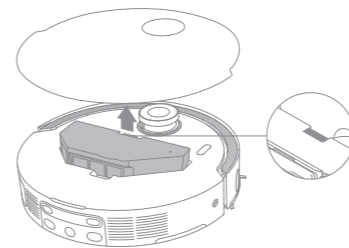
3. Después de limpiar, gire la rueda principal para alinear las dos flechas (véase la Figura ①). A continuación, con la flecha "IN" apuntando hacia abajo, inserte las ruedas de ascenso auxiliares izquierda y derecha como corresponde hasta que encajen en su sitio. (véase la Figura ②).



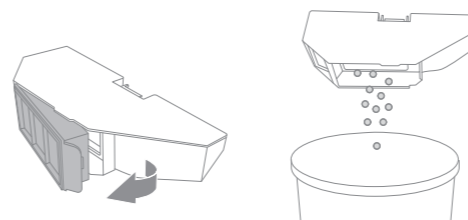
## Mantenimiento rutinario

### Caja de polvo y filtro

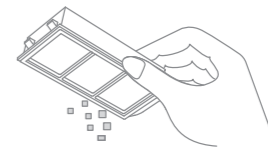
1. Retire la cubierta del robot y presione la presilla de la caja de polvo para retirar la caja de polvo.



2. Retire el filtro de la caja de polvo y vacíe la caja de polvo.

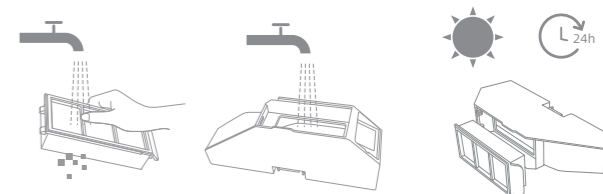


3. Golpee suavemente la canasta del filtro para eliminar la suciedad.



**Nota:** No intente limpiar el filtro con un cepillo, los dedos u objetos afilados para evitar daños.

4. Enjuague la caja de polvo y el filtro con agua y séquelos completamente antes de reinstalar.



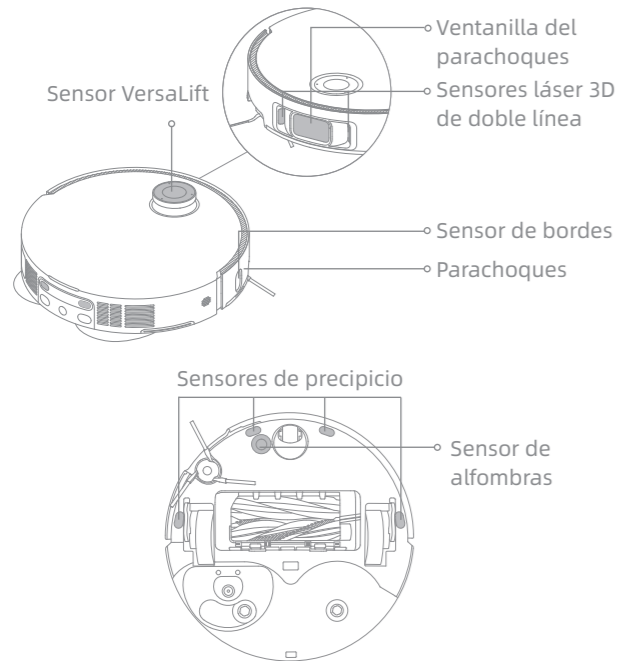
**Nota:**

- Enjuague la caja de polvo y el filtro con agua únicamente. No utilice detergente.
- Use la caja de polvo y el filtro únicamente cuando estén completamente secos.

## Mantenimiento rutinario

### Sensores del robot

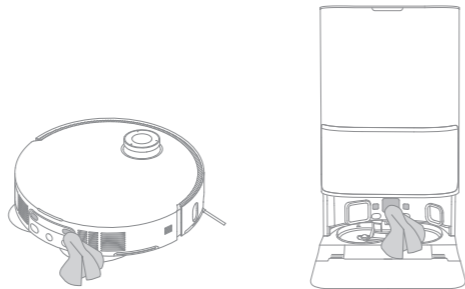
Limpie los sensores del robot usando un trapo suave y seco, como se muestra en la siguiente figura:



**Nota:** Un paño húmedo puede dañar los elementos sensibles dentro del robot y la estación base. Utilice un paño seco para la limpieza.

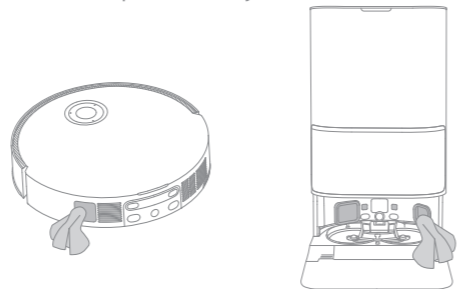
### Contactos de carga y zona de señalización

Limpie los contactos de carga y el área de señalización con un paño suave y seco.



### Respiraderos de vaciado automático

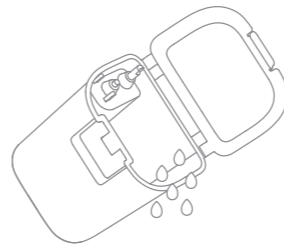
Limpie los respiraderos de vaciado automático del robot y la estación base con un paño suave y seco.



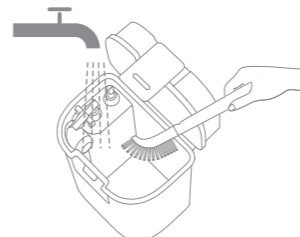
## Mantenimiento rutinario

### Depósito de agua usada

1. Retire el depósito de agua usada, abra su tapa y vierta el agua usada.



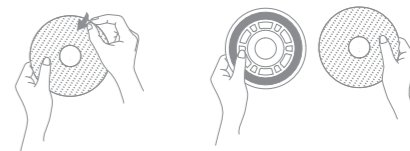
2. Enjuague el depósito de agua usada con agua limpia, y use la herramienta de limpieza proporcionada para limpiar la pared interior del depósito de agua usada.



**Nota:** Tenga cuidado cuando retire los cepillo principales para evitar lesiones.

### Mopas

Retire las mopas de los soportes de mopa para sustituirlas.



### Batería



El robot cuenta con una batería de iones de litio de alto rendimiento. Asegúrese de que la batería permanezca bien cargada para el uso diario a fin de mantener un rendimiento óptimo. Si el robot se usa durante un periodo de tiempo prolongado, apáguelo y guárdelo. Para evitar daños por descarga excesiva, cargue el robot al menos una vez cada tres meses.




## Resolución de Problemas

Problema	Solución
El robot no se enciende.	La batería tiene poca carga. Recargue el robot en la base de carga y pruebe de nuevo. La temperatura de la batería está demasiado baja o demasiado alta. Se recomienda que el aparato funcione a una temperatura entre 0 °C (32 °F) y 40 °C (104 °F).
El robot no se carga.	La estación base no está conectada a la fuente de alimentación, asegúrese de que ambos extremos del cable de alimentación estén enchufados correctamente. El nivel de contacto entre los contactos de carga de la estación base y el robot es deficiente, por favor limpie los contactos de carga. Verifique si hay algún objeto extraño en los conectores del robot y, si lo hay, elimínelo.
El robot no puede conectarse a la red Wi-Fi.	La contraseña de la red Wi-Fi es incorrecta. Asegúrese de que la contraseña utilizada para conectarse a su red Wi-Fi sea correcta. El robot no admite una conexión Wi-Fi de 5 GHz. Asegúrese de que el robot esté conectado a una conexión Wi-Fi de 2,4 GHz. La señal de Wi-Fi es débil. Asegúrese de que el robot esté en un área con buena cobertura Wi-Fi. Es posible que el robot no esté listo para configurarse. Salga de la aplicación y vuelva a entrar, e inténtelo de nuevo según las instrucciones.
El robot no puede encontrar y regresar a la estación base.	La estación base está desconectada de la alimentación o se ha movido cuando el robot no estaba en ella. Conecte la estación base al suministro de energía o coloque el robot sobre la estación base para cargar. Hay demasiadas obstrucciones alrededor de la estación base. Coloque la estación base en un área más abierta. Mover el robot puede hacer que se repositone, y volverá a crear un mapa si el reposicionamiento falla. Si el robot está demasiado lejos de la estación base, es posible que no pueda regresar automáticamente por sí solo, en cuyo caso deberá colocar manualmente el robot en la estación base. Limpie el área de señalización de la estación base para eliminar el polvo o la suciedad.

## Resolución de Problemas

Problema	Solución
El robot se atasca delante de la estación base y no puede volver a ella.	Compruebe si hay suficiente espacio en ambos lados o delante de la estación base para evitar que el robot que bloqueado. La ruta de regreso para cargar está bloqueada, por ejemplo la puerta está cerrada. El robot puede resbalarse si el suelo delante de la estación base está demasiado mojado. Si es así, elimine el exceso de agua antes de volver a intentarlo. Se recomienda mover la estación base a un lugar diferente y volver a intentarlo. Asegúrese de que la placa de extensión de rampa esté instalada correctamente.
El robot no se apaga.	El robot no se puede apagar cuando está cargando. Se recomienda mover el robot fuera de la estación base y mantener pulsado el botón  durante 3 segundos para apagarlo. Si el robot no se puede apagar con el paso 1, mantenga pulsado el botón  durante 10 segundos para forzar el apagado del robot. Si el problema persiste, contacte con el servicio posventa.
La velocidad de carga es lenta.	Se necesitan aproximadamente 4,5 horas para cargar completamente el robot cuando la batería tiene poca carga. Si utiliza el robot a temperaturas fuera del intervalo especificado, la velocidad de carga disminuirá automáticamente para prolongar la duración de la batería. Los contactos de carga del robot y la estación base pueden estar sucios, límpielos con un paño seco.
El ruido aumenta mientras el robot está en funcionamiento.	Compruebe si el filtro de la caja de polvo está taponado. Si es así, límpielo o sustitúyalo. Un objeto duro puede quedar atrapado en los cepillos principales o en la caja de polvo. Compruébelo y retire cualquier objeto duro. Los cepillos principales o el cepillo lateral pueden estar enredados. Compruébelo y retire objetos extraños. Cambie el modo de succión a Estándar o Silencio.
El robot se mueve sin seguir la ruta establecida.	Los objetos como cables de alimentación y pantuflas deben mantenerse ordenados antes de usar el robot. Trabajar en superficies resbaladizas provoca que la rueda principal resbale. Se recomienda secar los lugares mojados antes de usar el robot. Limpie la ventanilla del parachoques y los sensores láser 3D de doble línea con un paño limpio y suave y para mantenerlos limpios y desobstruidos.

Problema	Solución
El robot omite las habitaciones que deben limpiarse.	Asegúrese de que las puertas de las habitaciones a limpiar estén abiertas. El lugar delante de la sala a limpiar puede estar mojado y resbaladizo, haciendo que el robot resbale y trabaje anormalmente. Seque el suelo antes de usar el robot.
El robot no reanuda la limpieza después de la carga.	Asegúrese de que el robot no esté en modo No Molestar (DND), lo que prohibirá que reanude la limpieza. El robot no reanudará la limpieza después de colocarlo manualmente en la estación base o enviarlo a cargar mediante la app o el botón  .
La estación no puede vaciar automáticamente la caja de polvo.	Compruebe si la bolsa de polvo en el depósito está llena. Si la bolsa de polvo no está llena, compruebe si hay obstrucción en los respiraderos de vaciado automático del robot, la estación base o la caja de polvo. Si es así, limpie a tiempo la parte bloqueada.
El nivel de agua en la bandeja de lavar es anómalo.	Compruebe si el sellado del depósito de agua usada está suelto o no está instalado correctamente y, en caso afirmativo, reajústelo manualmente. Si el problema persiste, contacte con el equipo de servicio posventa. Presione suavemente el depósito de agua usada para asegurarse de que esté instalado correctamente. Retire el filtro de la bandeja de lavar y compruebe si la salida de agua residual está bloqueada y límpiela. Compruebe la botella de solución de limpieza. No añada líquido distinto a la solución de limpieza aprobada oficialmente.
El soporte de mopa se sube de manera anómala.	Retire el soporte de mopa para comprobar si hay objetos extraños atascados en él, e intente reiniciar el robot. Si el problema persiste, contacte con el equipo de servicio posventa.
Hay agua debajo del depósito de agua limpia o alrededor de la junta de sellado.	Cuando se extrae el depósito de agua limpia, algo de agua del tubo puede quedar debajo del depósito o alrededor de la junta de sellado. Esto es normal. Restriegue con un trapo seco.

Para obtener más ayuda, contacte con nosotros en <https://global.dreametech.com>

## Robot

Modelo	RLL84CE
Tiempo de carga	Aprox. 4,5 horas
Tensión nominal	14,4 V $\equiv$
Potencia nominal	75 W
Frecuencia de funcionamiento	2400-2483,5 MHz
Potencia máxima de salida	< 20 dBm

En condiciones normales de uso, este equipo debe mantenerse a una distancia de, al menos, 20 cm entre la antena y el cuerpo del usuario.

## Estación base

Modelo	RCLE0101
Entrada nominal	220-240 V ~ 50-60 Hz
Salida nominal	20 V $\equiv$ 2 A
Potencia nominal (durante el vaciado de polvo)	700 W
Potencia nominal (durante la limpieza con agua caliente)	1160 W
Potencia nominal (durante la carga y el secado)	87 W

## Nota:

- La potencia nominal (durante la limpieza con agua caliente) se determina por el valor de potencia durante el periodo representativo (temperatura de agua 25 °C).
- La potencia nominal (durante la carga y el secado) se determina por el valor de potencia durante un periodo de carga completa.

## Eliminación y retirada de la batería

La batería de iones de litio integrada contiene sustancias que son peligrosas para el medio ambiente. Antes de eliminar la batería, asegúrese de que la batería sea retirada por técnicos cualificados y desechada en instalaciones de reciclaje apropiadas.

- Se debe retirar la batería del aparato antes de tirarlo;
- el aparato debe desconectarse del suministro eléctrico cuando se retire la batería;
- asegúrese de desechar la batería de forma segura.

### PRECAUCIÓN:

Antes de retirar la batería, desconecte la alimentación y agote la batería al máximo.

Las baterías no necesarias deben desecharse en instalaciones de reciclaje apropiadas.

No la exponga a ambientes de alta temperatura para evitar riesgos de explosión.

En condiciones abusivas, el líquido puede ser expulsado de la batería. Si ocurre un contacto, enjuague con agua y busque ayuda médica.

### Guía de retirada:

1. Voltee el robot, use una herramienta apropiada para retirar los tornillos de la parte posterior del robot, y luego retire la cubierta.
2. Desenchufe los terminales entre la batería y la placa PCB para retirar la batería.

### Información RAEE



Todos los productos que llevan este símbolo son residuos de aparatos eléctricos y electrónicos (RAEE según la directiva 2012/19/UE) que no deben mezclarse con residuos domésticos sin clasificar. En cambio, debe proteger la salud humana y el medio ambiente entregando sus residuos de aparatos a un punto de recogida designado para el reciclaje de basura de aparatos eléctricos y electrónicos, nombrado por el gobierno o las autoridades locales. Una correcta eliminación y reciclaje ayudarán a impedir potenciales consecuencias negativas al medio ambiente y la salud humana. Contacte con el instalador o las autoridades locales para más información acerca de la ubicación así como términos y condiciones de tales puntos de recogida.

## Informacje o bezpieczeństwie

Celem niedopuszczenia do porażenia prądem elektrycznym, pożaru lub obrażeń spowodowanych niewłaściwym użytkowaniem urządzenia, przed jego użyciem należy uważnie zapoznać się z treścią obsługi oraz zachować ją na wypadek konieczności skorzystania z niej w przyszłości.

### Ograniczenia użytkowania

- Z niniejszego urządzenia nie powinny korzystać dzieci w wieku poniżej 8 lat ani osoby o ograniczonych możliwościach fizycznych, zmysłowych lub intelektualnych, ani osoby o niewystarczającym doświadczeniu lub wiedzy, chyba że znajdują się pod nadzorem rodzica lub opiekuna. Dzieci pozostające bez nadzoru nie mogą czyścić urządzenia ani dokonywać czynności konserwacyjnych.
- Urządzenie należy używać tylko wraz z modułem zasilania, z nim dostarczonym.
- To urządzenie zawiera baterie, które mogą być wymieniane tylko przez personel o odpowiednich umiejętnościach.
- Uprzątnij teren, który ma być czyszczony. Nie wolno zezwalać, by dzieci używały urządzenia do zabawy. Dbaj o to, by dzieci i zwierzęta domowe pozostawały w bezpiecznej odległości od robota podczas jego pracy.
- Nie instaluj, nie ładuj ani nie używaj urządzenia w łazienkach ani wokół basenów.
- Niniejszy produkt przeznaczony jest wyłącznie do czyszczenia podłóg w warunkach domowych. Nie należy z niego korzystać na wolnym powietrzu, do czyszczenia powierzchni innych niż podłogi, ani w obiektach komercyjnych lub przemysłowych.
- Upewnij się, czy urządzenie działa poprawnie we właściwym otoczeniu. W przeciwnym razie nie używaj urządzenia.

## Informacje o bezpieczeństwie

### Ograniczenia użytkowania

- Jeżeli kabel zasilania jest uszkodzony, należy go zastąpić specjalnym przewodem lub zespołem dostępnym u producenta, lub u jego przedstawiciela serwisowego.
- Nie używaj robota w miejscach zawieszonych ponad poziomem gruntu, bez bariery ochronnej.
- Nie ustawiaj robota kołami do góry. Nie używaj pokrywy LDS, pokrywy robota ani zderzaka w charakterze uchwytu.
- Używaj robot w środowiskach, gdzie temperatura otoczenia wynosi powyżej 0°C i poniżej 40°C. Dbaj o to, by na podłodze nie było cieczy ani substancji lepkich.
- Aby uniknąć uszkodzenia lub szkód wskutek włączenia, usuń wszelkie luźne przedmioty z podłogi, usuń kable i przewody zasilające z drogi, zanim uruchomisz urządzenie.
- Usuń wrażliwe lub małe przedmioty z podłogi, aby zapobiec obijaniu się o nie robota oraz ich uszkodzeniu.
- Włosów, palców i innych części ciała nie wolno zbliżać do otworu ssącego robota.
- Narzędzie do sprzątania należy przechowywać w miejscu niedostępnym dla dzieci.
- Nie używaj urządzenia w pomieszczeniu, gdzie przebywa śpiące niemowlę lub dziecko.
- Dzieci, zwierząt domowych ani żadnego przedmiotu nie stawiaj na robocie, bez względu na to, czy jest on nieruchomy, czy się porusza.

## Informacje o bezpieczeństwie

### Ograniczenia użytkowania

- Tylko czystą wodę i oficjalnie zaaprobowane roztwory czyszczące można dodawać do zbiornika na wodę czystą. Nie dodawaj żadnej cieczy, jak alkohol lub środek dezynfekcyjny. Proporcję między środkiem czyszczącym do czystej wody można sprawdzić na butelce z roztworem. Środki czyszczące należy przechowywać w miejscu niedostępnym dla dzieci.
- Nie używaj robota do sprzątania palących się przedmiotów. Nie używaj robota do zbierania cieczy zapalnych ani palnych, żrących cieczy, nierozcieńczonych kwasów ani rozpuszczalników.
- Nie odkurzaj twardych ani ostrych przedmiotów. Nie używaj urządzenia do zbierania przedmiotów takich, jak kamienie, duże kawałki papieru lub inne, które mogłyby zatkać urządzenie.
- Wtyczkę należy wyjąć z gniazdka elektrycznego przed czyszczeniem lub serwisowaniem urządzenia.
- Nie wycieraj robota ani stacji bazowej mokrą ścierką ani nie zmywaj żadną cieczą. Po wyczyszczeniu wszystkich elementów, które można umyć, przed ich ponownym zamontowaniem i użyciem należy je dokładnie wysuszyć.
- Używaj to urządzenie zgodnie z zaleceniami zawartymi w instrukcji obsługi. Użytkownicy ponoszą odpowiedzialność za wszelkie straty lub uszkodzenia wynikłe z nieprawidłowego użycia produktu.

### Baterie i ładowanie

- Nie używaj akumulatora ani stacji dokującej innych producentów. Robot może być używany tylko ze stacją bazową modelu RCLE0101.
- Nie próbuj na własną rękę demontować, naprawiać ani modyfikować akumulatora lub stacji bazowej.
- Nie ustawiaj stacji bazowej w pobliżu źródła ciepła.
- Nie używaj mokrej ściereczki ani mokrych rąk do czyszczenia styków ładowania stacji bazowej.

**Baterie i ładowanie**

- Zużytych akumulatorów nie likwiduj w sposób nieodpowiedni. Niepotrzebne akumulatory należy poddać utylizacji w odpowiednim zakładzie recyklingowym.
- W razie uszkodzenia lub zerwania kabla zasilania zaprzestań niezwłocznie używania wyrobu i skontaktuj się z serwisem posprzedażnym.
- Upewnij się, czy robot jest wyłączony na czas transportu, w miarę możliwości przechowywany w oryginalnym opakowaniu.
- Jeżeli robot nie będzie używany przez dłuższy czas, w pełni naładuj go, wyłącz i złóż w chłodnym, suchym miejscu. Akumulator należy naładować przynajmniej raz na 3 miesiące, dzięki czemu nie dopuści się do jego nadmiernego rozładowania.

**Informacja o bezpieczeństwie laserowym**

- Czujnik laserowy w tym produkcie spełnia normę IEC 60825- 1:2014/EN 60825- 1:2014/A11:2021 dla produktów laserowych Klasy 1. Promienia laserowego nie wolno kierować bezpośrednio w stronę oczu.

PRODUKT LASEROWY KLASY 1  
KONSUMENCKI PRODUKT LASEROWY  
EN 50689:2021

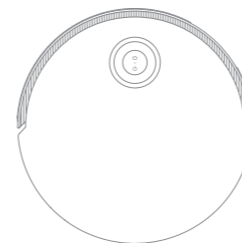
 Wyłącznie do użytku w pomieszczeniach zamkniętych

 Zapoznaj się z treścią instrukcji obsługi

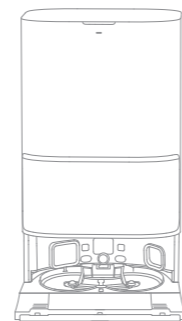
Niniejszym firma Dreame Trading (Tianjin) Co., Ltd. oświadcza, że urządzenie radiowe typu RLL84CE spełnia wymogi Dyrektywy 2014/53/UE. Pełny tekst Deklaracji Zgodności UE jest dostępny pod następującym adresem internetowym: <https://global.dreameotech.com>  
Szczegółowy e-podręcznik, patrz <https://global.dreameotech.com/pages/user-manuals-and-faqs>

Opis produktu

Zawartość opakowania

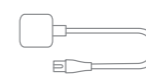


Robot



Stacja bazowa

Inne akcesoria



Kabel zasilania



Płytkę wydłużającą rampę stacji bazowej



Podręcznik użytkownika



Automatyczny dozownik detergentu (wstępnie zainstalowana)



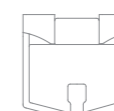
Worek na kurz x 2 (1 wstępnie zainstalowany)



Podkładka mopa x 2 (wstępnie zainstalowana)



Uchwyt podkładki mopa x 2



Filtr tarki (wstępnie zainstalowana)

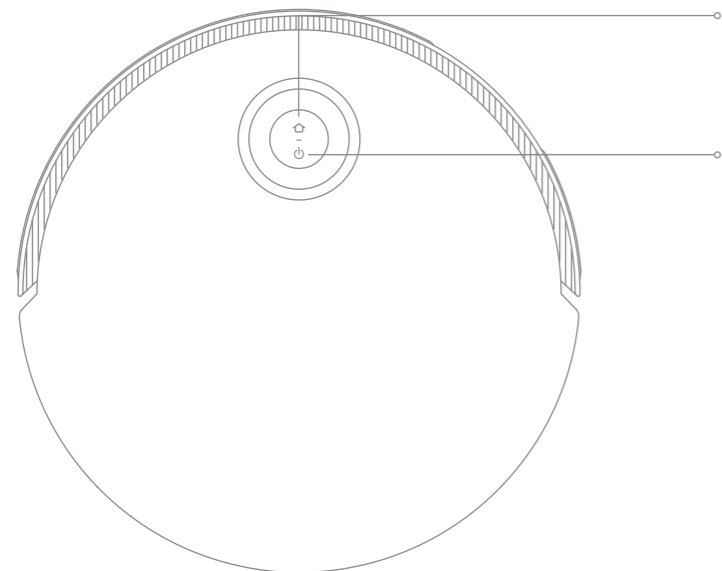


Środek czyszczący



Narzędzie do czyszczenia

## Robot



🏠 **Przycisk dokowania**

- Wciśnij, aby odesłać robot do stacji bazowej
- Wciśnij i przytrzymaj przez 3 sekundy, aby dezaktywować Blokadę rodzicielską

🔌 **Przycisk Zasilanie / Czyszczenie**

- Wciśnij i przytrzymaj przez 3 sekundy, aby włączyć lub wyłączyć
- Wciśnij, aby rozpocząć czyszczenie po włączeniu robota

**Kołowy wskaźnik stanu**

- Ciągłe niebieskie: czyszczenie lub sprzątnięcie zakończone
- Ciągły zielony: ładowanie
- Migający pomarańczowy: Błąd

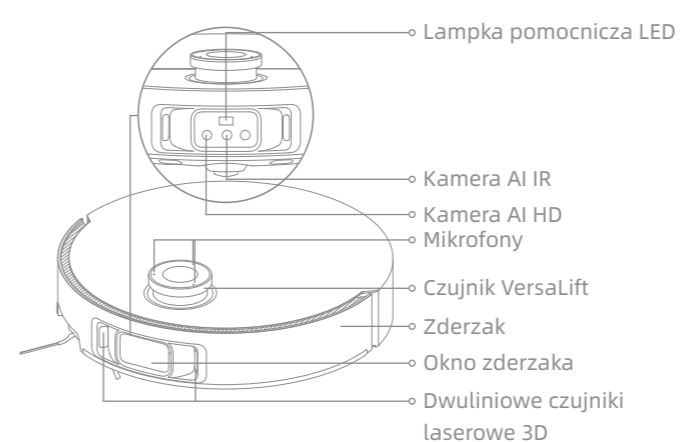
**Wskaźnik stanu przycisku**

- Ciągły biały: czyszczenie lub sprzątnięcie zakończone
- Ciągły biały: ładowanie (akumulator nie jest rozładowany)
- Ciągły pomarańczowy: gotowość lub pauza przy niskim poziomie naładowania akumulatora
- Ciągły pomarańczowy: ładowanie (niski stan naładowania akumulatora)
- Migający pomarańczowy: Błąd
- Migający różowy: Kamera aktywna

**Uwaga:**

- Wciśnij dowolny przycisk w robocie, aby pauzować, gdy ten sprząta, lub powraca do ładowania.
- Blokadę rodzicielską można włączyć/wyłączyć w aplikacji Dreamehome.

## Robot i czujniki



Lampka pomocnicza LED

Kamera AI IR

Kamera AI HD

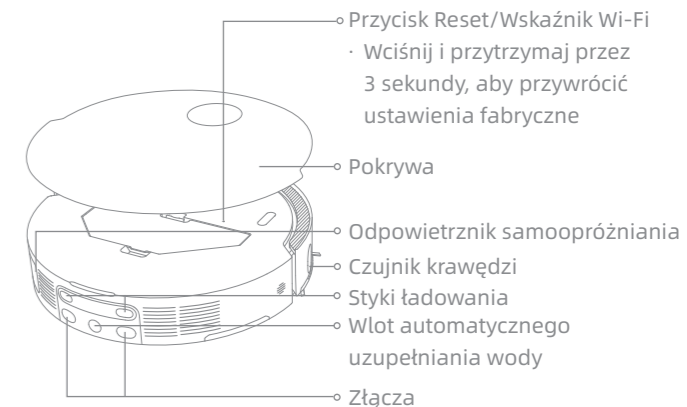
Mikrofony

Czujnik VersaLift

Zderzak

Okno zderzaka

Dwuliniowe czujniki laserowe 3D



Przycisk Reset/Wskaźnik Wi-Fi

- Wciśnij i przytrzymaj przez 3 sekundy, aby przywrócić ustawienia fabryczne

Pokrywa

Odpowietrznik samoopróżniania

Czujnik krawędzi

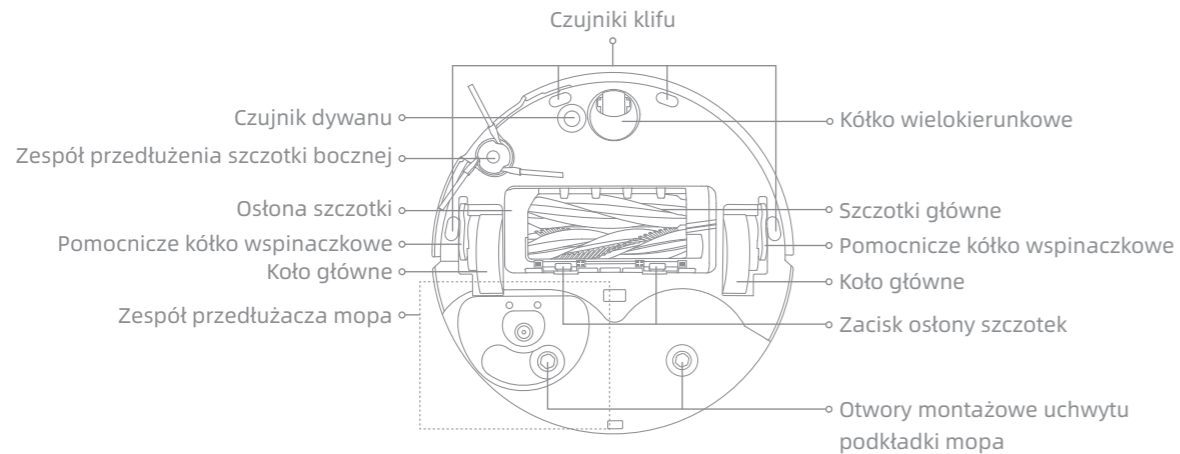
Styki ładowania

Wlot automatycznego uzupełniania wody

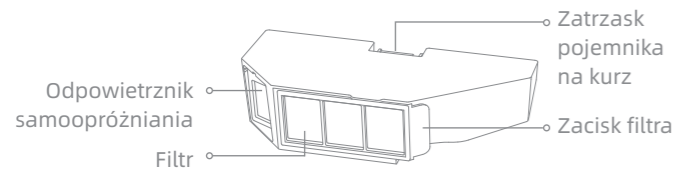
Złącza

**Uwaga:** Czujnik VersaLift będzie obniżony, gdy robot jest w trybie gotowości, ładowania w stacji bazowej lub w miejscach czyszczenia o niskim prześwicie. W razie czyszczenia w miejscach o niskim prześwicie nie poruszaj robota, gdyż może to wpłynąć na jego pozycjonowanie.

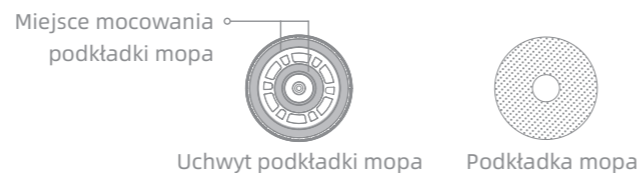
## Robot i czujniki



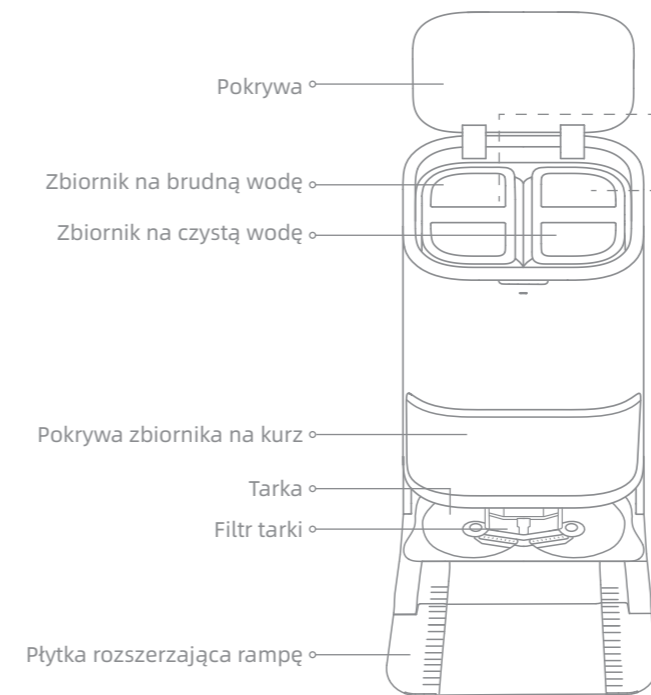
## Pojemnik na kurz



## Zespół mopa



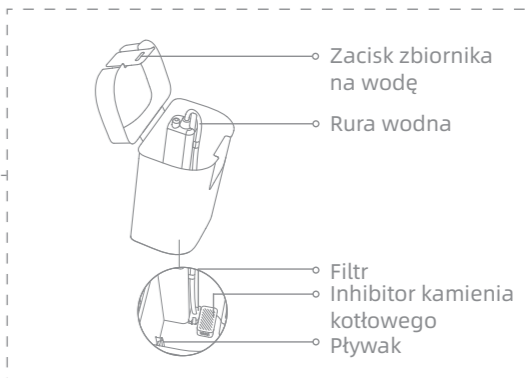
## Stacja bazowa



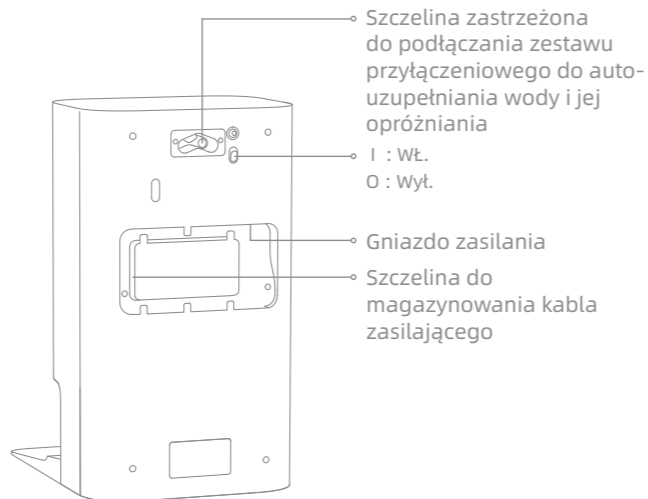
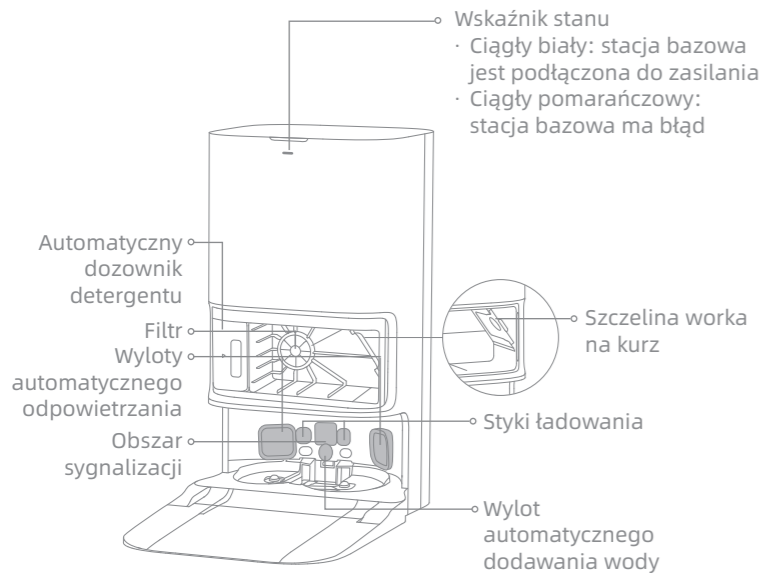
## Zbiornik na brudną wodę



## Zbiornik na czystą wodę

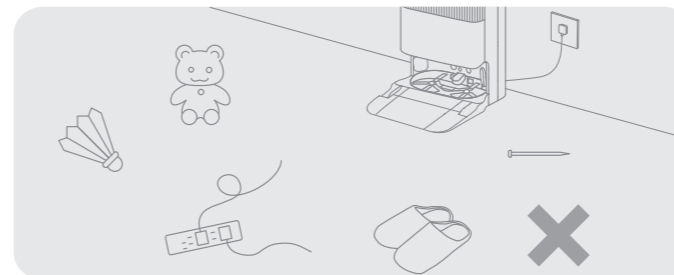


Stacja bazowa

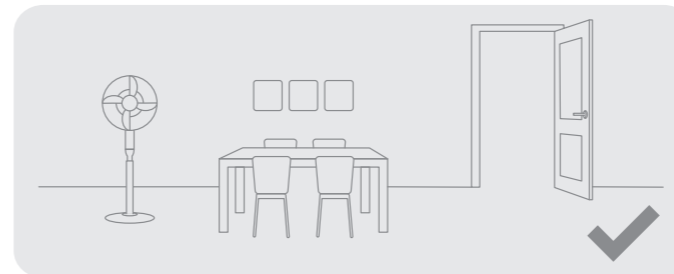


**Uwaga:** Zestaw do podłączania wody służący do automatycznego uzupełniania i opróżniania wymaga osobnego zakupu. (Dostępne tylko w określonych regionach)

Przygotowanie domu



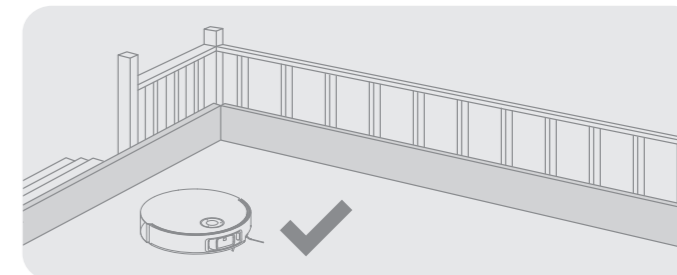
Przed czyszczeniem usuń z podłoża przedmioty niestabilne, kruche, cenne lub niebezpieczne, a kable, odzież, zabawki, przedmioty twarde i ostre uporządkuj, aby uniknąć zaplątania, porysowania lub uderzenia o robota i spowodowania strat.



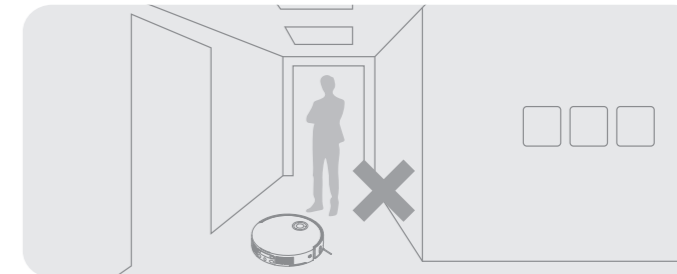
Otwórz drzwi pomieszczenia do sprzątania i ustaw meble we właściwym miejscu, aby zostawić więcej przestrzeni.

**Uwaga:**

- Uruchamiając robot po raz pierwszy śledź go wokół podczas sprzątania, aby na czas usuwać ewentualne przeszkody.
- Lampka pomocnicza LED zapewnia pomocnicze oświetlenie w zaciemnionym otoczeniu.
- Nie odkurzaj twardych przedmiotów, jak kamienie, kulki stalowe i części zabawek ani twardych przedmiotów, jak gruz, potłuczone szkło, gwoździe, w przeciwnym razie może dojść do porysowania podłoża.



Przed sprzątaniem ustaw barierę fizyczną na krawędzi schodów, aby zapewnić bezproblemowe działanie robota.



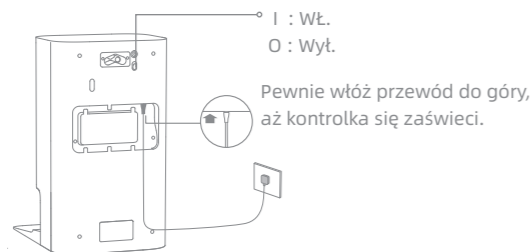
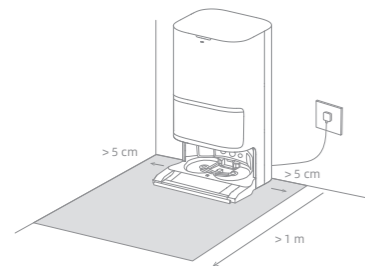
Aby uchronić robota przed nierozpoznanymi miejscami wymagającymi sprzątania, nie stawaj przed nim, przed progiem, korytarzem lub wąskimi miejscami.



## Przed użyciem

### 1. Ustaw stację bazową i podłącz do gniazdka elektrycznego

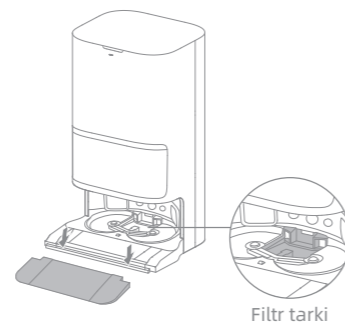
Umieść stację bazową w miejscu maksymalnie otwartym, z dobrym sygnałem Wi-Fi. Wokół urządzenia pozostaw wystarczająco dużo miejsca, jak przedstawiono na ilustracji, a zacienionego obszaru usuń wszystkie przedmioty. Następnie włóż przewód zasilający do stacji bazowej i wetknij wtyczkę do gniazdka.



#### Uwaga:

- Upewnij się, czy żaden obiekt nie będzie blokować obszaru sygnalizacyjnego.
- Aby zapobiec zamoczeniu podłóg drewnianych lub dywanów, zalecane jest umieszczanie stacji bazowej na płytkach ceramicznych lub marmurowych.

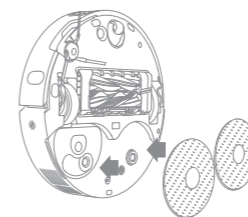
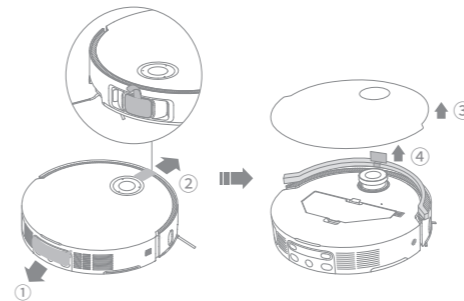
### 2. Zainstaluj płytkę przedłużającą rampy



Uwaga: Sprawdź, czy filtr tarki poprawnie założony.

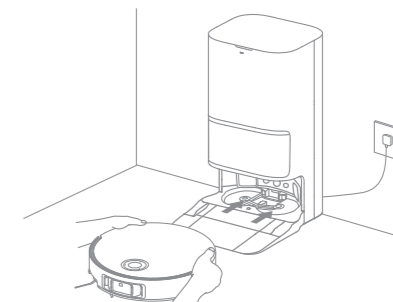
## Przed użyciem

### 3. Usuń zabezpieczenia robota i zainstaluj zespół mopa



### 4. Podłącz robot do stacji bazowej

Celem włączenia robota wciśnij przycisk (⏻) na jego obudowie na 3 sekundy. Umieść robota w stacji bazowej z zespołem mopa zwróconym w kierunku tarki. Wówczas usłyszysz instrukcję głosową, gdy robot pomyślnie połączy się ze stacją bazową. Po pełnym naładowaniu akumulatora robota kontrolki stanu robota i stacji bazowej będą świecić przez 10 minut, a następnie zgasną.

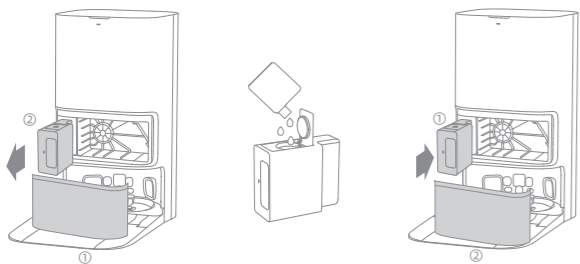


Uwaga: Zaleca się pełne naładowanie robota przed jego pierwszym użyciem. Gdy robot nie może być włączony po wyczerpaniu się baterii, ręcznie połącz go ze stacją bazową i naładuj.

## Przed użyciem

### 5. Dodaj roztwór czyszczący.

- (1) Zdejmij pokrywę pojemnika na kurz i wyciągnij automatyczny zbiornik na środek czyszczący.
- (2) Otwórz górną pokrywę komory i dodaj środek czyszczący.
- (3) Zamknij pokrywę komory, włóż ją z powrotem do stacji bazowej i ponownie załóż pojemnik na kurz. Środek czyszczący będzie dodawany automatycznie podczas pracy.

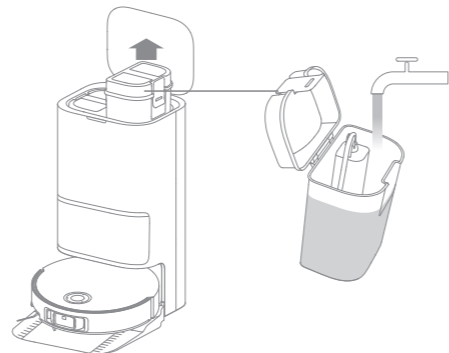


#### Uwaga:

- Automatyczny zbiornik na detergent można napełnić środkiem czyszczącym. Nie należy stosować żadnego innego środka, niż zalecany przez producenta, gdyż grozi to niewłaściwym działaniem urządzenia.
- Zainstaluj automatyczny zbiornik na detergent, aż się zablokuje we właściwym miejscu.

### 6. Dodaj wody do zbiornika wody czyszczącej

Wymij zbiornik na czystą wodę ze stacji bazowej i napełnij go czystą wodą. Następnie zainstaluj go na powrót w stacji bazowej.

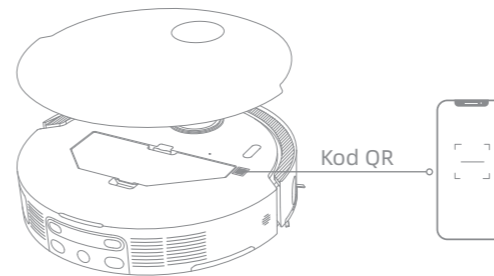


**Uwaga:** Nie dodawaj gorącej wody do zbiornika, gdyż może to spowodować jego odkształcenie.

## Łączenie z aplikacją Dreamehome

### 1. Pobieranie aplikacji Dreamehome

Zdejmij pokrywę robota i zeskanuj kod QR znajdujący się na obudowie robota, albo też w sklepie z aplikacjami wyszukaj aplikację „Dreamehome”, pobierz ją i zainstaluj.



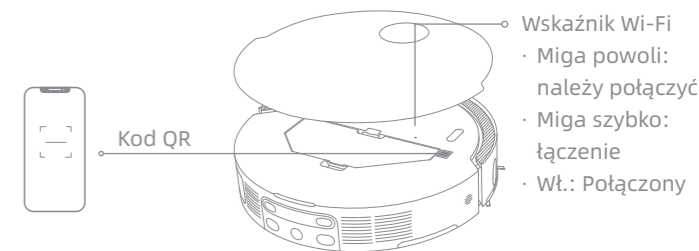
#### Uwaga:

- Obsługiwane jest tylko Wi-Fi 2,4 GHz.
- Ze względu na aktualizacje w oprogramowaniu aplikacyjnym faktyczne operacje mogą odbiegać od instrukcji w tym podręczniku. Stosuj się do instrukcji w oparciu o bieżącą wersję aplikacji.

### 2. Dodawanie urządzenia



Otwórz aplikację Dreamehome, dotknij „Zeskanuj kod QR, aby się połączyć” i ponownie zeskanuj ten sam kod QR na robocie, aby dodać urządzenie. Stosuj się do wyświetlanych instrukcji, aby ukończyć połączenie Wi-Fi.

**Uwaga:** Celem zresetowania połączenia Wi-Fi powtórz etap 2, a następnie postępuj zgodnie z poleceniami.



## Użytkowanie

### Włączanie/wyłączenie

Przycisk  wciśnij na 3 sekundy, co spowoduje włączenie robota. Kontrolka zasilania nadal będzie świecić. Można też umieścić robota w stacji bazowej, dopasowując styki ładujące robota do styków stacji bazowej, a robot włączy się automatycznie i rozpocznie ładowanie. Celem wyłączenia robota odsuń go od stacji bazowej, po czym wciśnij przycisk  na 3 sekundy.

### Szybkie mapowanie

Skonfigurowawszy sieć po raz pierwszy stosuj się do instrukcji w aplikacji, aby szybko utworzyć mapę. Robot rozpocznie mapowanie bez czyszczenia. Gdy robot powróci do stacji bazowej, proces mapowania jest zakończony, a mapa zostanie automatycznie zapisana.

### Pauza/uśpienie

Gdy robot pracuje, wciśnij dowolny przycisk, aby go spauzować.

Jeżeli robot nie pracuje dłużej niż 10 minut, automatycznie wchodzi w tryb uśpienia. Wszystkie wskaźniki w robocie wyłączą się. Wciśnij dowolny przycisk w robocie bądź użyj aplikacji, aby go obudzić.

**Uwaga:** Jeżeli robot jest spauzowany i umieszczony w stacji bazowej, proces bieżącego czyszczenia zakończy się.

### Auto-wznawianie czyszczenia

Jeżeli akumulator jest bliski rozładowania, robot automatycznie powróci do stacji bazowej w celu ładowania. Po doładowaniu do odpowiedniego poziomu, robot wznowi niedokończone zadania czyszczenia.

**Uwaga:** Chcąc skorzystać z tej funkcji należy ją włączyć w aplikacji.



### Tryb Nie przeszkadzać (DND)

Gdy robot jest ustawiony na tryb „Nie Przeszkadzać” (DND), nie wznowi sprzątnięcia. Tryb DND jest domyślnie dezaktywowany w fabryce. Możesz użyć aplikacji do aktywacji trybu DND lub zmodyfikować okres DND. Domyślnie okres DND wynosi 22:00-8:00.

**Uwaga:**

- W okresie DND zaplanowane zadania sprzątnięcia nie będą wykonywane.
- Robot wznowi sprzątnięcie po upływie okresu DND.

### Ponowne uruchamianie robota


W sytuacji, gdy robot przestaje reagować lub nie może się wyłączyć, wciśnij przycisk  na 10 sekund, co spowoduje wymuszone wyłączenie urządzenia. Następnie wciśnij przycisk  na 3 sekundy, co spowoduje włączenie robota.

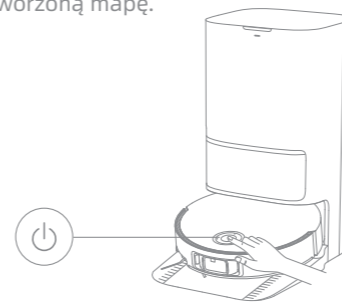
## Użytkowanie

### Odkurzanie i mopowanie

**Uwaga:** Używając zespół mopa po raz pierwszy robot wykonuje domyślnie zadanie „Odkurzanie i mopowanie”.

#### 1. Rozpoczęcie czyszczenia

Celem uruchomienia robota ze stacji bazowej wciśnij przycisk  na obudowie robota lub postuż się aplikacją. Następnie robot zaplanuje optymalną trasę czyszczenia i wykona to zadanie w oparciu o stworzoną mapę.

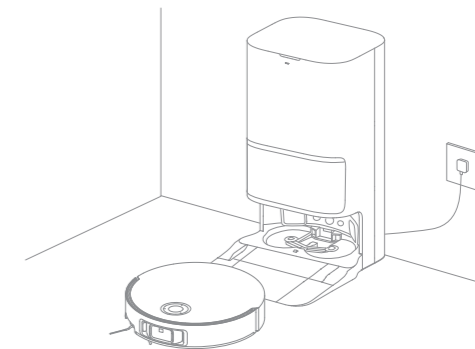


**Uwaga:**

- Aby zapewnić łatwy powrót robota do stacji bazowej po czyszczeniu, zaleca się jego uruchamianie ze stacji bazowej.
- Podkładki mopa będą czyszczone przed rozpoczęciem mopowania przez robota, czekaj cierpliwie.
- Podczas pracy nie poruszaj stacją bazową, zbiornikiem na czystą wodę, zbiornikiem na brudną wodę ani filtrem tarki.
- Funkcję prania gorącą wodą można włączyć w aplikacji w zakładce zadań prania podkładki mopa, a funkcja ta działa we wszystkich trybach. Aby zapobiec oparzeniu, nie dotykaj wylotu wody, gdy funkcja jest włączona.

#### 2. Automatyczne pranie mopa

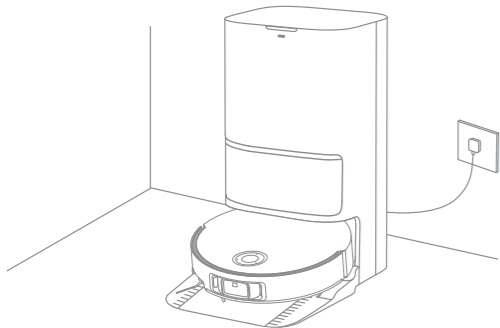
Podczas sprzątnięcia robot będzie automatycznie powracać do stacji bazowej, aby wyprać ścierki mopa w oparciu o częstotliwość jej użycia określoną w aplikacji. Stacja bazowa automatycznie uzupełni wodą zbiornik robota i ten wznowi sprzątnięcie.



## Użytkowanie

### 3. Automatyczne opróżnianie pojemnika na kurz oraz pranie i suszenie nakładki mopa

Po zakończeniu czyszczenia przez robota i jego powrocie do stacji bazowej celem naładowania akumulatora, stacja automatycznie opróżni pojemnik na kurz, a następnie wypierze i wysuszy podkładki mopa.



#### Uwaga:

- Jeżeli funkcja auto-opróżniania jest wyłączona w aplikacji, stacja bazowa nie będzie automatycznie opróżniać pojemnika na kurz.
- Stacja bazowa będzie opróżniać pojemnik na kurz zgodnie z ustawieniami w aplikacji.

### 4. Wyczyść zbiornik na brudną wodę

Gdy robot zakończy zadanie, umyj zbiornik na brudną wodę, co zapobiegnie powstawaniu nieprzyjemnego zapachu.

#### Mopowanie po odkurzeniu

Aktywuj funkcję mopowania po odkurzeniu, a robot automatycznie zdejmie zespół mopa w stacji bazowej, aby odkurzać podłogę. Z zakończeniem odkurzania robot powróci do stacji bazowej, aby zamontować zespół mopa, zaś stacja automatycznie opróżni pojemnik na kurz. Następnie robot rozpocznie mopowanie podniósłszy szczotkę główną i szczotkę boczną.

#### Tylko odkurzanie

Aktywuj funkcję odkurzania w aplikacji, a robot automatycznie zdejmie zespół mopa w stacji bazowej i rozpocznie odkurzanie.

#### Tylko mopowanie

Aktywuj funkcję mopowania w aplikacji wybierz, a robot automatycznie sprawdzi, czy zespół mopa jest zainstalowany w stacji bazowej. Jeśli nie, robot zamontuje zespół mopa i rozpocznie mopowanie po podniesieniu szczotki głównej i szczotki bocznej.

## Rutynowa konserwacja

#### Części

Aby utrzymać robota w dobrym stanie, zaleca się sprawdzanie użytkowania akcesoriów w aplikacji lub następującej tabeli w kwestii planowej konserwacji.

Część	Częstotliwość konserwacji	Okres wymiany
Zbiornik na brudną wodę	Po każdym użyciu	/
Zbiornik na wodę czystą	Raz na 2 tygodnie	Co 6 do 12 miesięcy
Szczotki główne		Co 3 do 6 miesięcy
Filtr pojemnika na kurz		
Szczotka boczna		/
Uchwyty podkładek mopa	Raz na 1 do 2 miesięcy	/
Filtr tarki		
Obszar sygnalizacyjny stacji bazowej	Raz na miesiąc	
Styki ładowania		
Wyloty automatycznego odpowietrzania		
Kółko wielokierunkowe		
Czujnik krawędzi		
Czujnik VersaLift		
Dwuliniowe czujniki laserowe 3D		
Czujnik dywanu		
Czujniki klifu		

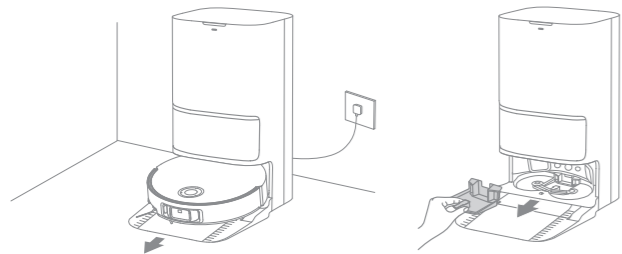
Część	Częstotliwość konserwacji	Okres wymiany	
Okno zderzaka	Raz na miesiąc	/	
Zderzak			
Włot automatycznego uzupełniania wody robota			
Dno robota			
Pojemnik na kurz	Czyść w miarę potrzeby		
Kółka główne			
Pomocnicze kółka wspinaczkowe			
Worek na kurz	/		Co 2 do 4 miesięcy
Podkładki mopa			Co 1 do 3 miesięcy
Inhibitor kamienia kotłowego			Co 18 do 36 miesięcy

**Uwaga:** Częstotliwość dokonywanie zabiegów konserwacyjnych i wymiany elementów zależy od rzeczywistych warunków użytkowania. Jeśli wystąpi wyjątek ze względu na szczególne okoliczności, zalecamy niezwłoczne dokonanie przeglądu lub wymianę części.

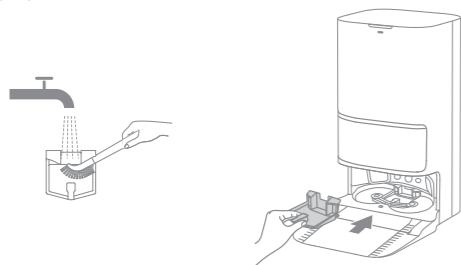
## Rutynowa konserwacja


### Filtr tarki

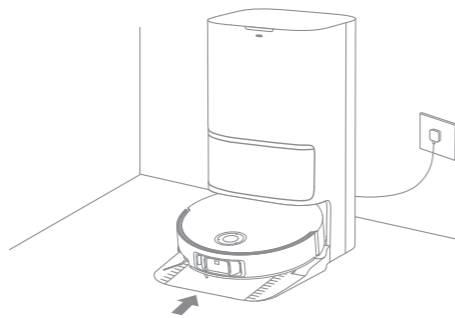
1. Po zakończeniu prania podładek mopa wyjmij robota i wymontuj filtr tarki.



2. Wypłucz filtr tarki czystą wodą, wytrzyj go do sucha, a następnie zamontuj go ponownie w tarce.



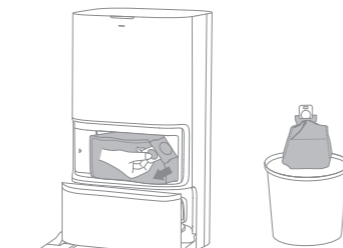
3. Celem skierowania robota do stacji bazowej użyj aplikacji lub naciśnij przycisk , lub umieść go w stacji ręcznie.



## Rutynowa konserwacja

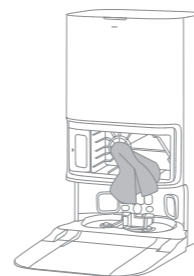
### Worek na kurz

1. Zdejmij pokrywę zbiornika na kurz i wyrzuć worek.

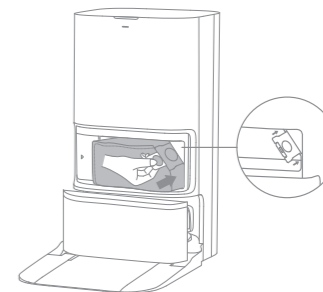


**Uwaga:** Pociągnięcie do góry za uchwyt uszczelni worek na kurz, aby zapobiec przypadkowemu wypadaniu jego i śmieci.

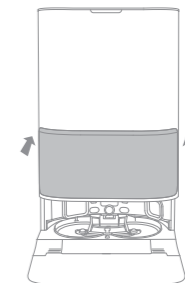
2. Kurz i śmieci z filtra usuwaj suchą ściereczką.



3. Zainstaluj nowy worek na kurz.



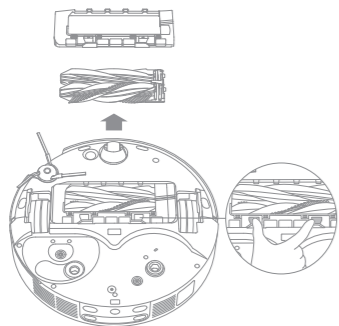
4. Zainstaluj na powrót pokrywę zbiornika.



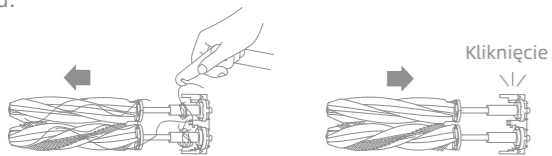
## Rutynowa konserwacja

### Szczotki główne

1. Wciśnij zatrzaski osłony szczotki do środka, aby wyjąć osłonę, po czym wyjmij szczotki z robota.

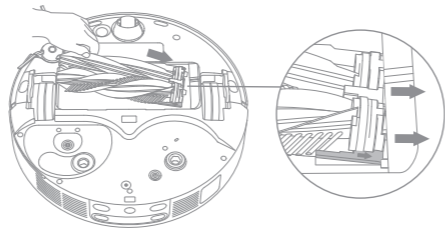


2. Wyjmij szczotki i oczyść, jak przedstawiono na rysunku. Narzędziem do czyszczenia wchodzącym w skład wyposażenia usuń włosy wplątane w szczotki. Po wyczyszczeniu wciśnij szczotki mocno do uchwytu głównych szczotek, aż zatrzaskną się na swoim miejscu.

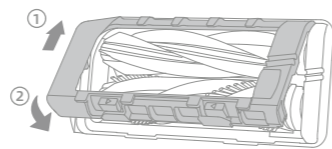


**Uwaga:** Podczas wyjmowania szczotek głównych należy zachować ostrożność, by nie dopuścić do obrażeń ciała.

3. Ustawiając uchwyt głównych szczotek nadrukowanymi strzałkami skierowanymi ku górze, wsuń go w otwory w dół pod kątem.



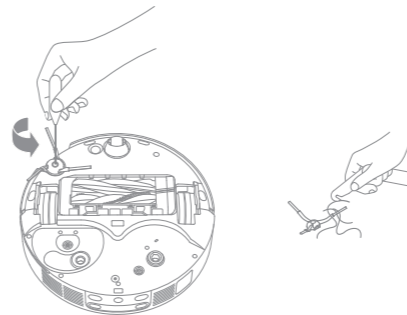
4. Wyrównaj przedni koniec osłony szczotek ze szczeliną, wsuń ją w dół pod kątem, a następnie wciśnij na swoje miejsce.



## Rutynowa konserwacja

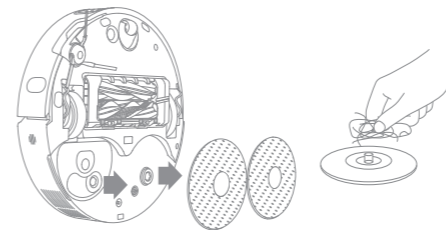
### Szczotka boczna

Śrubokrętem odkręć szczotkę boczną, usuń z niej włosy, a następnie przykręć z powrotem.

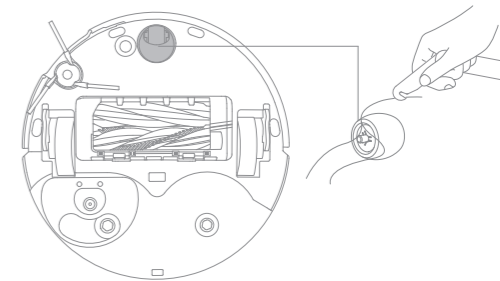


### Uchwyty podkładek mopa

Wyjmij i umyj uchwyty podkładek mopa.



### Kółko wielokierunkowe



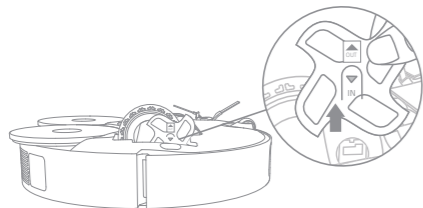
#### Uwaga:

- Małym śrubokrętem oddziel oś od opony kółka wielokierunkowego. Nie wywieraj nadmiernej siły.
- Wypłucz kółko wielokierunkowe pod bieżącą wodą i załóż z powrotem po całkowitym wysuszeniu.

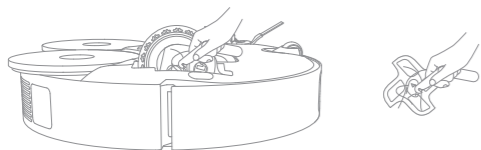
## Rutynowa konserwacja

### Pomocnicze kółka wspinaczkowe i kółka główne

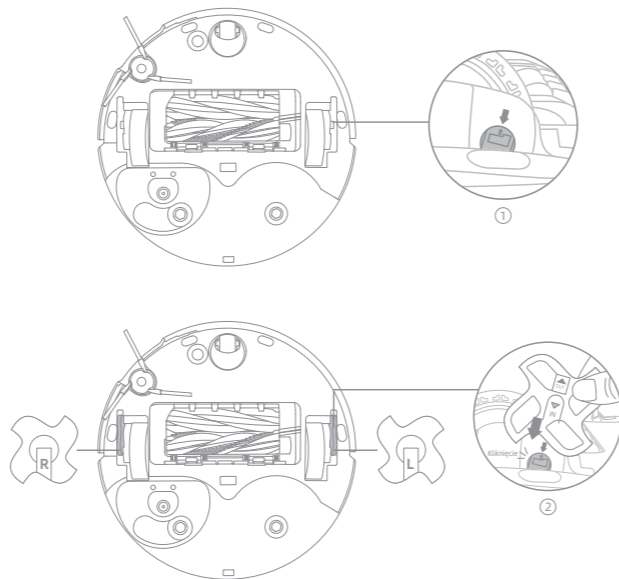
1. Obróć pomocnicze kółko wspinaczkowe w taki sposób, by strzałka „OUT” była skierowana ku górze, a następnie wyciągnij kółko.



2. Odpowiednim narzędziem usuń włosy zaplątane w kółko główne i pomocnicze kółko wspinaczkowe.



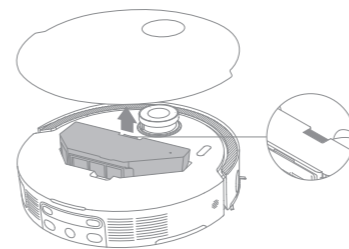
3. Po wyczyszczeniu obróć kółko główne ustawiając dwie strzałki w linii (patrz Rysunek ①). Następnie, po ustawieniu strzałką „IN” w dół, włoż odpowiednio lewe i prawe pomocnicze kółko wspinaczkowe, aż zatrzasną się na swoim miejscu. (patrz Rysunek ②).



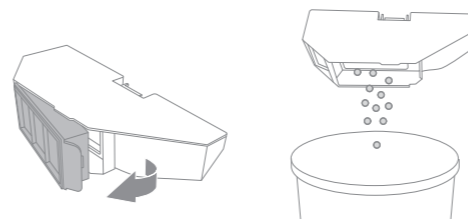
## Rutynowa konserwacja

### Pojemnik na kurz i filtr

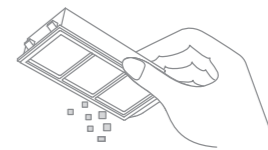
1. Zdemontuj pokrywę robota i wciśnij zatrzask pojemnika na kurz, po czym go wyjmij.



2. Wyjmij filtr pojemnika na kurz i opróżnij pojemnik na kurz.

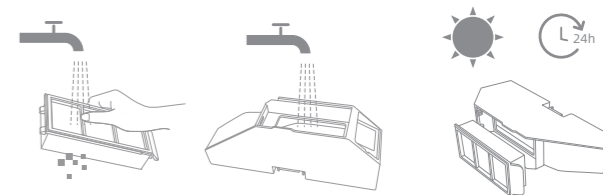


3. Delikatnie stukaj w kosz filtra, aby usunąć brud.



**Uwaga:** Nie próbuj czyścić filtra szczotką, palcem ani ostrymi przedmiotami, gdyż grozi to jego uszkodzeniem.

4. Wypłucz wodą pojemnik na kurz i filtr, wysusz je całkowicie przed ponownym zainstalowaniem.

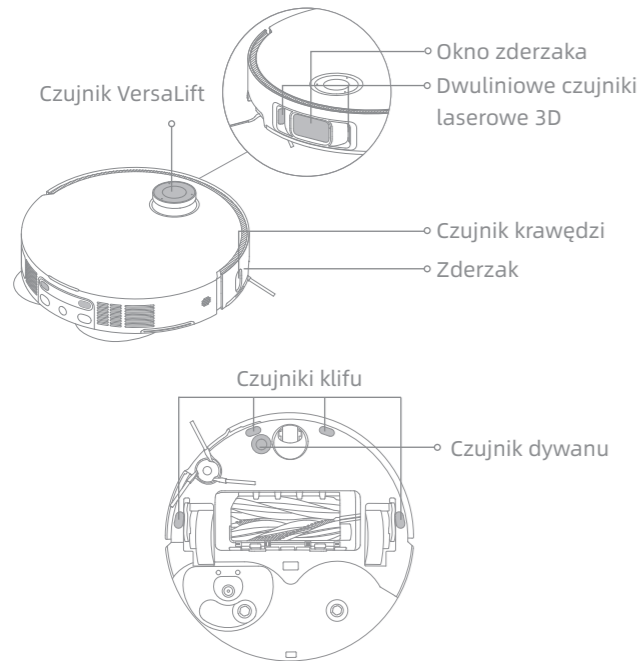


**Uwaga:**

- Pojemnik na kurz i filtr płucz tylko czystą wodą. Nie używaj detergentu.
- Pojemnik na kurz i filtr używaj dopiero po całkowitym wyschnięciu.

**Czujniki robota**

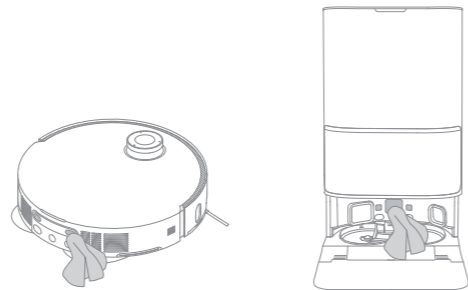
Czujniki robota przetrzyj miękką i suchą ściereczką, jak przedstawiono na rysunku poniżej:



**Uwaga:** Mokra ścierka może uszkodzić czułe elementy robota i stacji bazowej. Do czyszczenia używaj suchej ściereczki.

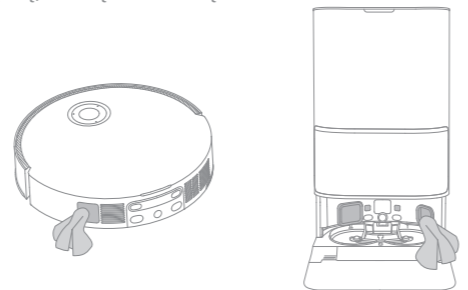
**Styki ładowania i pole sygnalizacyjne**

Styki ładowania i pole sygnalizacyjne czyść miękką, suchą ściereczką.



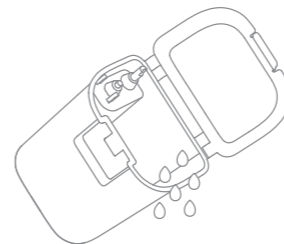
**Wyloty automatycznego odpowietrzania**

Wyloty automatycznego odpowietrzania robota i stacji bazowej czyść miękką, suchą ściereczką:

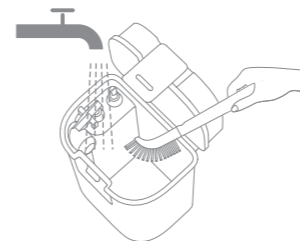


**Zbiornik na brudną wodę**

1. Wyjmij zbiornik na brudną wodę, otwórz pokrywę i wylej zawartość.



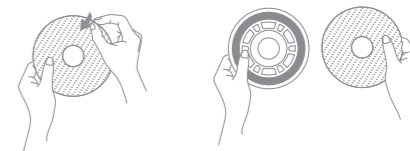
2. Czystą wodą wypłucz zbiornik używanej wody, wykorzystując dostarczone narzędzie do czyszczenia ściany wewnętrznej zbiornika.



**Uwaga:** Podczas wyjmowania szczotki głównej należy zachować ostrożność, by nie dopuścić do obrażeń ciała.

**Podkładki mopa**

Zdejmij podkładki mopa z uchwytów i wymień je.



**Akumulator**



Robot zawiera pakiet akumulatora litowo-jonowego o wysokich parametrach użytkowych. Dbaj o to, by akumulator był dobrze naładowany do codziennego użytku, aby zachować jego parametry użytkowe na optymalnym poziomie. Jeżeli robot nie jest używany przez dłuższy czas, wyłącz go i złóż. Aby uniknąć szkód wskutek nadmiernego rozładowania, robot należy doładowywać przynajmniej raz na trzy miesiące.




## Wykrywanie i usuwanie usterek

Usterka	Rozwiązanie
Robot nie włącza się.	Akumulator jest rozładowany. Doładuj robot w stacji bazowej i spróbuj ponownie. Temperatura baterii jest zbyt niska lub zbyt wysoka. Zaleca się pracę urządzenia w zakresie temperatur od 32 °F (0 °C) do 104 °F (40 °C).
Robot nie ładuje się.	Stacja bazowa nie jest podłączona do zasilania, upewnij się, czy oba końce kabla zasilania są prawidłowo wetknięte. Słaby kontakt między stykami ładowania w stacji bazowej i robocie, oczyść styki ładowania. Sprawdź, czy na złączu robota nie ma jakiegoś ciała obcego, usuń je w takim przypadku.
Robot nie łączy się z Wi-Fi.	Nieprawidłowe hasło sieci Wi-Fi. Sprawdź, czy hasło używane do łączenia się z siecią Wi-Fi, jest prawidłowe. Robot nie obsługuje połączenia Wi-Fi 5 GHz. Upewnij się, czy robot jest połączony z siecią Wi-Fi 2,4 GHz. Słaby sygnał Wi-Fi. Upewnij się, czy robot jest w obszarze o dobrym zasięgu Wi-Fi. Robot może nie być gotowy do skonfigurowania. Wyjdź z aplikacji i wejdź ponownie, następnie spróbuj jeszcze raz zgodnie z instrukcją.
Robot nie może znaleźć i powrócić do stacji bazowej.	Stacja bazowa została odłączona od zasilania lub poruszona, gdy robot znajdował się poza stacją. Połącz stację bazową z zasilaniem lub umieść robot na stacji celem ładowania. Za dużo jest przeszkód wokół stacji bazowej. Ustaw stację bazową w terenie bardziej otwartym. Poruszenie robotem może spowodować ponowne jego pozycjonowanie, a to spowoduje ponowne tworzenie mapy, jeżeli ponowne pozycjonowanie zawiedzie. Jeżeli robot jest zbyt daleko od stacji bazowej, może nie być w stanie powrócić samodzielnie, w którym to przypadku konieczne jest jego ręczne umieszczenie w stacji bazowej. Wytrzymaj pole sygnalizacji w stacji bazowej, aby usunąć kurz i śmieci.

## Wykrywanie i usuwanie usterek

Usterka	Rozwiązanie
Robot utyka przed stacją bazową i nie może powrócić do niej.	Sprawdź, czy jest wystarczająco dużo miejsca po obu stronach stacji bazowej i przed nią, aby zapobiec zablokowaniu robota. Trasa powrotu do ładowania jest zablokowana, np. zamknięte drzwi. Robot może ślizgać się, jeżeli podłoga przed stacją bazową jest nadmiernie mokra. W takim przypadku usuń nadmiar wody przed podjęciem ponownej próby. Zaleca się przesunięcie stacji bazowej w innej miejsce i spróbowanie ponownie. Upewnij się, czy płytki przedłużająca rampy jest prawidłowo zamontowane.
Robot nie wyłącza się.	Robot nie może być wyłączony podczas ładowania. Celem wyłączenia robota zaleca się odsunięcie robota od stacji bazowej, a następnie wciśnięcie przycisku  na 3 sekundy. Jeżeli robota nie daje się wyłączyć wykonując czynność 1, wciśnij przycisk  na 10 sekund, co spowoduje wymuszone wyłączenie robota. Jeżeli problem się utrzymuje, skontaktuj się z działem obsługi posprzedażnej.
Niska prędkość ładowania.	Pełne naładowanie rozładowanego akumulatora robota trwa 4,5 godziny. Jeżeli pracujesz robotem w temperaturach poza zakresem określonym w specyfikacji technicznej, prędkość ładowania automatycznie zmniejsza się, aby wydłużyć trwałość akumulatora. Styki ładowania w robocie i stacji bazowej mogą być zabrudzone, wytrzymaj je suchą ściereczką.
Hałas zwiększa się, gdy robot pracuje.	Sprawdź, czy filtr pojemnika na kurz nie jest zatkany. Jeśli tak, oczyść go lub wymień. Twardy przedmiot mógł zostać uchwycony przez szczotki główne lub pojemnik na kurz. Sprawdź i usuń wszelkie twarde przedmioty. Szczotki główne lub boczna może być splątana. Sprawdź i usuń wszelkie obce ciała. Tryb ssania przełącz na Standard lub Spokojny.
Robot porusza się nie trzymając się ustalonej trasy.	Przedmioty takie, jak kable zasilania i pantofle należy zorganizować przed użyciem robota. Praca na mokrych, śliskich powierzchniach powoduje poślizg głównego kółka. Zaleca się wysuszenie mokrych miejsc przed użyciem robota. Wytrzymaj okno zderzaka i czujnik lasera dwuliniowego 3D w robocie czystą, miękką i ściereczką, aby utrzymać go w czystości i wolnym od przeszkód.

## Wykrywanie i usuwanie usterek

Usterka	Rozwiązanie
Robot pomija pomieszczenia, które mają być czyszczone.	Upewnij się, czy drzwi sprzątanym pomieszczeń są otwarte. Miejsce przed pomieszczeniem do czyszczenia może być mokre lub śliskie, powodują poślizg robota i nienormalną pracę. Wysusz podłogę przed użyciem robota.
Robot nie wznawia sprzątnięcia po ładowaniu.	Upewnij się, czy robot nie jest ustawiony w tryb „Nie przeszkadzać” (DND), co uniemożliwia wznowienie sprzątnięcia. Robot nie wznawia czyszczenia po jego ręcznym umieszczeniu w stacji bazowej lub wysłaniu go do stacji bazowej poprzez aplikację lub przyciskiem  .
Stacja nie może automatycznie opróżnić pojemnika na kurz.	Sprawdź, czy worek na kurz w pojemniku nie jest zapelniony. Jeżeli worek na kurz nie jest pełny, sprawdź, czy nie ma jakiegóż przeszkody na automatycznych odpowietrznikach robota, stacji bazowej lub pojemnika na kurz. W takim przypadku wyczyść na czas zablokowaną część.
Poziom wody na tarce nie jest prawidłowy.	Sprawdź, czy uszczelka w zbiorniku używanej wody nie jest poluzowana lub niewłaściwie założona, ręcznie skoryguj w razie potrzeby. Jeżeli problem utrzymuje się, skontaktuj się z zespołem serwisu posprzedażnego. Delikatnie wciśnij w dół zbiornik na brudną wodę sprawdzając, czy jest prawidłowo założony. Wymontuj filtr tarki i sprawdź, czy odpływ brudnej wody nie jest zatkany; jeśli jest, udrożnij go. Sprawdź roztwór do czyszczenia. Nie dodawaj innej cieczy niż oficjalnie zaaprobowany roztwór czyszczący.
Uchwyt podkładki mopa jest nienormalnie podniesiony.	Wymnij uchwyt podkładki mopa i sprawdź, czy nie utknęły w nim jakieś ciała obce, po czym uruchom robota ponownie. Jeżeli problem utrzymuje się, skontaktuj się z zespołem serwisu posprzedażnego.
Pod zbiornikiem na czystą wodę lub wokół uszczelki jest woda.	Przy wyjmowaniu zbiornika na czystą wodę w rurze pod zbiornikiem lub wokół uszczelki może pozostawać nieco wody. To jest normalne. Wytrzyj suchą ściereczką.

W kwestii dalszej pomocy kontaktuj się z nami przez <https://global.dreametech.com>

## Dane techniczne

### Robot

Model	RLL84CE
Czas ładowania	Okolo 4,5 godziny
Napięcie znamionowe	14,4 V $\equiv$
Moc znamionowa	75 W
Częstotliwość robocza	2400-2483,5 MHz
Maksymalna moc wyjściowa	< 20 dBm

W normalnych warunkach eksploatacji ten sprzęt powinien być utrzymywany w odstępnie przynajmniej 20cm między anteną i ciałem użytkownika.

### Stacja bazowa

Model	RCLE0101
Znamionowy prąd zasilania	220-240 V ~ 50-60 Hz
Znamionowa moc wyjściowa	20 V $\equiv$ 2 A
Moc znamionowa (podczas opróżniania z kurzu)	700 W
Moc znamionowa (podczas mycia gorącą wodą)	1160 W
Moc znamionowa (podczas ładowania i suszenia)	87 W

Uwaga:

- Moc znamionowa (podczas czyszczenia gorącą wodą) jest wyznaczana przez wartość mocy w okresie reprezentatywnym (temperatura wody 25°C).
- Moc znamionową (podczas ładowania i suszenia) determinuje wartość mocy podczas całego okresu ładowania.

## Wyjęcie i likwidacja akumulatora

Wbudowany akumulator litowo-jonowy zawiera substancje, które są niebezpieczne dla środowiska. Przed utylizacją, upewnij się, czy akumulator został wyjęty przez personel fachowy i poddany złomowaniu przez odpowiedni obiekt recyklingowy.

- akumulator przed złomowaniem należy wyjąć z urządzenia;
- podczas wyjmowania akumulatora urządzenie musi być odłączone od zasilania sieciowego;
- akumulator należy utylizować w sposób bezpieczny.

### OSTROŻNIE:

Przed wyjęciem akumulatora odłącz zasilanie i rozładuj akumulator, ile się da.

Niepotrzebne akumulatory należy poddać utylizacji w odpowiednim zakładzie recyklingowym.

Akumulatora nie narażaj na działanie wysokiej temperatury, gdyż grozi to jego wybuchem.

W niewłaściwych warunkach użytkowania z akumulatora może wydobywać się elektrolit. W przypadku dostania się elektrolitu do oczu lub na skórę skażone miejsce należy przepłukać dużą ilością wody, po czym zasięgnąć porady lekarskiej.

### Instruktaż usuwania:

1. Odwróć robota, za pomocą odpowiedniego narzędzia odkręć śruby z tyłu robota i zdejmij pokrywę.
2. Odłącz zaciski między akumulatorem i płytką drukowaną, aby wyjąć ten pierwszy.

## Ochrona środowiska



Zużyty sprzęt elektroniczny oznakowany zgodnie z dyrektywą Unii Europejskiej, nie może być umieszczany łącznie z innymi odpadami komunalnymi. Podlega on selektywnej zbiórce i recyklingowi w wyznaczonych punktach. Zapewniając jego prawidłowe usuwanie, zapobiegasz potencjalnym, negatywnym konsekwencjom dla środowiska naturalnego i zdrowia ludzkiego. System zbierania zużytego sprzętu zgodny jest z lokalnie obowiązującymi przepisami ochrony środowiska dotyczącymi usuwania odpadów. Szczegółowe informacje na ten temat można uzyskać w urzędzie miejskim, zakładzie oczyszczania lub sklepie, w którym produkt został zakupiony.



Produkt spełnia wymagania dyrektyw tzw. Nowego Podejścia Unii Europejskiej (UE), dotyczących zagadnień związanych z bezpieczeństwem użytkownika, ochroną zdrowia i ochroną środowiska, określających zagrożenia, które powinny zostać wykryte i wyeliminowane.

Niniejszy dokument jest tłumaczeniem oryginalnej instrukcji obsługi, stworzonej przez producenta.

Produkt należy regularnie konserwować (czyścić) we własnym zakresie lub przez wyspecjalizowane punkty serwisowe na koszt i w zakresie użytkownika. W przypadku braku informacji o koniecznych akcjach konserwacyjnych cyklicznych lub serwisowych w instrukcji obsługi, należy regularnie, minimum raz na tydzień oceniać odmiennosć stanu fizycznego produktu od fizycznie nowego produktu. W przypadku wykrycia lub stwierdzenia jakiegokolwiek odmiennosć należy pilnie podjąć kroki konserwacyjne (czyszczenie) lub serwisowe. Brak poprawnej konserwacji (czyszczenia) i reakcji w chwili wykrycia stanu odmiennosć może doprowadzić do trwałego uszkodzenia produktu. Gwarant nie ponosi odpowiedzialności za uszkodzenia wynikające z zaniedbania.

Szczegółowe informacje o warunkach gwarancji dystrybutora /producenta dostępne na stronie internetowej <https://serwis.innpro.pl/gwarancja>

## Akumulator LI-ION

Urządzenie wyposażone jest w akumulator LI ION (litowo-jonowy), który z uwagi na swoją fizyczną i chemiczną budowę starzeje się z biegiem czasu i użytkowania. Producent określa maksymalny czas pracy urządzenia w warunkach laboratoryjnych, gdzie występują optymalne warunki pracy dla urządzenia, a sam akumulator jest nowy i w pełni naładowany. Czas pracy w rzeczywistości może się różnić od deklarowanego w ofercie i nie jest to wada urządzenia a cecha produktu. Aby zachować maksymalną żywotność akumulatora, nie zaleca się go rozładowywać do poziomu poniżej 3,18V lub 15% ogólnej pojemności. Niższe wartości, jak np. 2,5V dla ogniwa uszkadzają je trwale i nie jest to objęte gwarancją. W przypadku zaniechania używania akumulatora lub całego urządzenia przez czas dłuższy niż jeden miesiąc należy akumulator naładować do 50% i sprawdzać cyklicznie co dwa miesiące poziom jego naładowania. Przechowuj akumulator i urządzenie w miejscu suchym, z dala od stońca i ujemnych temperatur.

## Akumulator LIPO

Urządzenie wyposażone jest w akumulator LI PO (litowo-polimerowy), który z uwagi na swoją fizyczną i chemiczną budowę starzeje się z biegiem czasu i użytkowania. Producent określa maksymalny czas pracy urządzenia w warunkach laboratoryjnych, gdzie występują optymalne warunki pracy dla urządzenia, a sam akumulator jest nowy i w pełni naładowany. Czas pracy w rzeczywistości może się różnić od deklarowanego w ofercie i nie jest to wada urządzenia a cecha produktu. Aby zachować maksymalną żywotność akumulatora, nie zaleca się go rozładowywać do poziomu poniżej 3,5V lub 5% ogólnej pojemności. Niższe wartości, jak np 3,2V dla ogniwa uszkadzają je trwale i nie jest to objęte gwarancją. W przypadku zaniechania używania akumulatora lub całego urządzenia przez czas dłuższy niż jeden miesiąc należy akumulator naładować do 50% i sprawdzać cyklicznie co dwa miesiące poziom jego naładowania. Przechowuj akumulator i urządzenie w miejscu suchym, z dala od stońca i ujemnych temperatur.