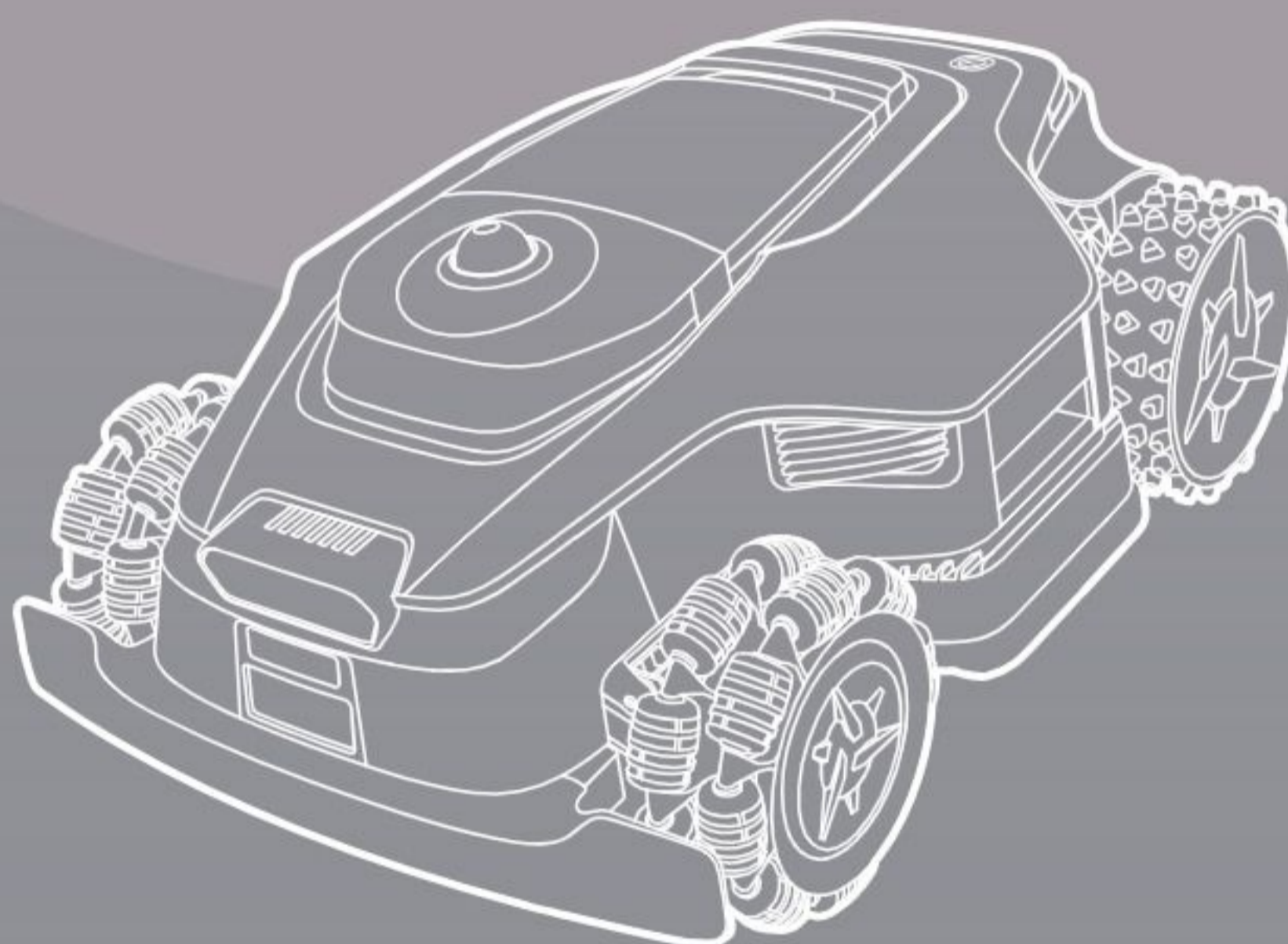


DREAME



Dreame Roboticmower A3 AWD Pro User Manual

A3 AWD Pro 3500

EN	P04–P42
DE	P43–P82
FR	P83–P122
IT	P123–P162
ES	P163–P202
NL	P203–P242
PT	P243–P282
GR	P283–P322

Original Instructions

Table of Contents

1 Safety Instructions	P05
2 Product Introduction	P09
3 Installation	P11
4 Preparation for First Use	P14
5 Map Your Garden	P19
6 Operation	P25
7 Dreamehome App	P28
8 Maintenance	P31
9 Battery	P35
10 Winter Storage	P35
11 Transport	P35
12 Troubleshooting	P36
13 Specifications	P40

1 Safety Instructions

1.1 General Safety Instructions

- Avoid using the machine and its peripherals in bad weather conditions especially when there is a risk of lightning.
- Carefully read and understand the user manual before using the product.
- Only use the equipment recommended by Dreame with the product. Any other usage is incorrect.
- Do not allow children to be in the vicinity or play with the machine when it is operating.
- Do not use the product in areas where people are unaware of its presence.
- When manually operating the product with the Dreamehome app, do not run. Always walk, watch your steps on slopes, and maintain balance at all times.
- Avoid using the product when there are people, especially children or animals, in the work area.
- If operating the product in public areas, place warning signs around the work area with the following text: "Warning! Automatic lawn mower! Keep away from the machine! Supervise children!"
- Wear sturdy footwear and long trousers when operating the product.
- To prevent damage to the product and accidents involving vehicles and individuals, do not set work areas or transport paths across public pathways.
- Do not touch moving hazardous parts, such as the blade disc, before it has come to a complete stop.
- Seek medical aid in case of injury or accidents.
- Set the product to **OFF** before clearing blockages, performing maintenance, or examining the product. If the product vibrates abnormally, inspect it for damage before restarting. Do not use the product if any parts are defective.
- Do not install the main cable in areas where the product will cut. Follow the instructions provided for cable installation.
- Only use the charging station included in the package to charge the product. Incorrect use may result in electric shock, overheating, or corrosive liquid leakage from the battery. In case of electrolyte leakage, flush with water/neutralizing agent and seek medical aid if the corrosive liquid comes into contact with your eyes.
- When connecting the main cable to the power outlet, use a residual-current device (RCD) with a maximum tripping current of 30 mA.
- Only use original batteries recommended by Dreame. The safety of the product cannot be guaranteed with non-original batteries. Do not use non-rechargeable batteries.
- Keep any supply and/or extension cords away from the working area to avoid damage to the cords which can lead to contact with live parts.
- The illustrations used in this document are for reference only. Please refer to the actual products.
- Never allow children, persons with reduced physical, sensory or mental capabilities or lack of experience and knowledge or people unfamiliar with these instructions to use the machine, local regulations may restrict the age of the operator.
- Do not connect or touch a damaged cable until it is disconnected from the power outlet. If the cable becomes damaged during operation, disconnect the plug from the power outlet. A worn or damaged cable increases the risk of electrical shock and should be replaced by service personnel.
- Do not push the product forcefully or quickly, as this may damage the product.
- To maintain compliance with the RF exposure requirement, a separation distance of 35 cm between the device and the human should be maintained.
- **WARNING:** For the purposes of recharging the battery, only use the detachable supply unit provided with this appliance.

1.2 Safety Instructions for Installation

- Avoid installing the charging station in areas where people may trip over it.
- Do not install the charging station in areas where there is a risk of standing water.
- Do not install the charging station, including any accessories, within 60 cm of any combustible material.

Malfunctioning or overheating of the charging station and power supply can pose a fire hazard.

1.3 Safety Instructions for Operation

- Keep your hands and feet away from the rotating blades. Do not place your hands or feet near or below the product when it is turned on.
- Do not lift or move the product when it is turned on.
- Use the park mode or set the product to **OFF** when there are people, especially children or animals, in the work area.
- Ensure that there are no objects such as stones, branches, tools, or toys on the lawn. Otherwise, the blades may be damaged when they come into contact with an object.
- Do not put objects on top of the product or charging station.
- Do not use the product if the STOP button is not functioning.
- Avoid collisions between the product and people or animals. If a person or animal comes in the path of the product, stop it immediately.
- Always set the product to **OFF** when it is not in operation.
- Do not use the product simultaneously with a pop-up sprinkler. Utilize the Schedule function to ensure that the product and pop-up sprinkler do not operate at the same time.
- Avoid placing a connection channel where pop-up sprinklers are installed.
- Do not operate the product in the presence of standing water in the work area, such as during heavy rain or water pooling.

1.4 Safety Instructions for Maintenance

- Set the product to **OFF** when performing maintenance.
- After washing, ensure that the product is placed on the ground in its normal orientation, not upside down.
- Do not reverse the product to clean the chassis. If you do reverse it for cleaning purposes, make sure to restore it to its proper orientation afterward. This precaution is necessary to prevent water from entering the motor and potentially affecting normal operation.
- Disconnect the plug from the charging station or operate the disabling device before cleaning or performing maintenance on the charging station.
- Do not use a high-pressure washer or solvents to clean the product.

1.5 Battery Safety










Lithium-ion batteries can explode or cause a fire if disassembled, short-circuited, exposed to water, fire, or high temperatures. Handle them with care, do not dismantle or open the battery, and avoid any form of electrical/mechanical abuse. Store them away from direct sunlight.






1. Only use the battery charger and power supply provided by the Manufacturer. The use of an inappropriate charger and power supply can cause electric shocks and / or overheating.
2. DO NOT ATTEMPT TO REPAIR OR MODIFY BATTERIES! Repair attempts may result in severe personal injury, due to explosion or electrical shock. If a leak develops, released electrolytes are corrosive and toxic.
3. This appliance contains batteries that are only replaceable by skilled persons.

1.6 Residual Risks

To avoid injuries, wear protective gloves when replacing the blades.

1.7 Symbols and Decals

 	<p>WARNING - Read user instructions before operating the machine.</p>
 	<p>WARNING - Keep a safe distance from the machine when operating.</p>
 	<p>WARNING - Operate the disabling device before working on or lifting the machine.</p>
 	<p>WARNING - Do not ride on the machine. Do not touch rotating blade.</p>
	<p>WARNING - It is not permitted to dispose of this product as normal household waste. Ensure that the product is recycled in accordance with local legal requirements.</p>

	This product conforms to the applicable EC Directives.
	Class III
	Before charging, read the instructions.
	Direct current
	Class II

INTENDED USE

The garden product is intended for domestic lawn mowing. It is designed to mow often, maintaining a healthier and better looking lawn than ever before. Depending on the size of your lawn, your mower may be programmed to operate at any time or frequency. It is impossible for digging, sweeping or snow cleaning.



Hereby, TsingTing Intelligent Tech (Suzhou) Co., Ltd. declares that the radio equipment model Dreame MXXA9300 is in compliance with Directive 2014/53/EU. The full text of the EU declaration of conformity is available at the following internet address: <https://global.dreame.tech.com/pages/declaration-of-conformity>.

The product is in compliance with UK PSTI regulations, the full text of declaration of conformity is available at the following internet address: <https://global.dreame.tech.com/pages/statement-of-compliance-for-uk-psti>.

For detailed e-manual, please go to <https://global.dreame.tech.com/pages/user-manuals-and-faqs>.

Network Security Notice

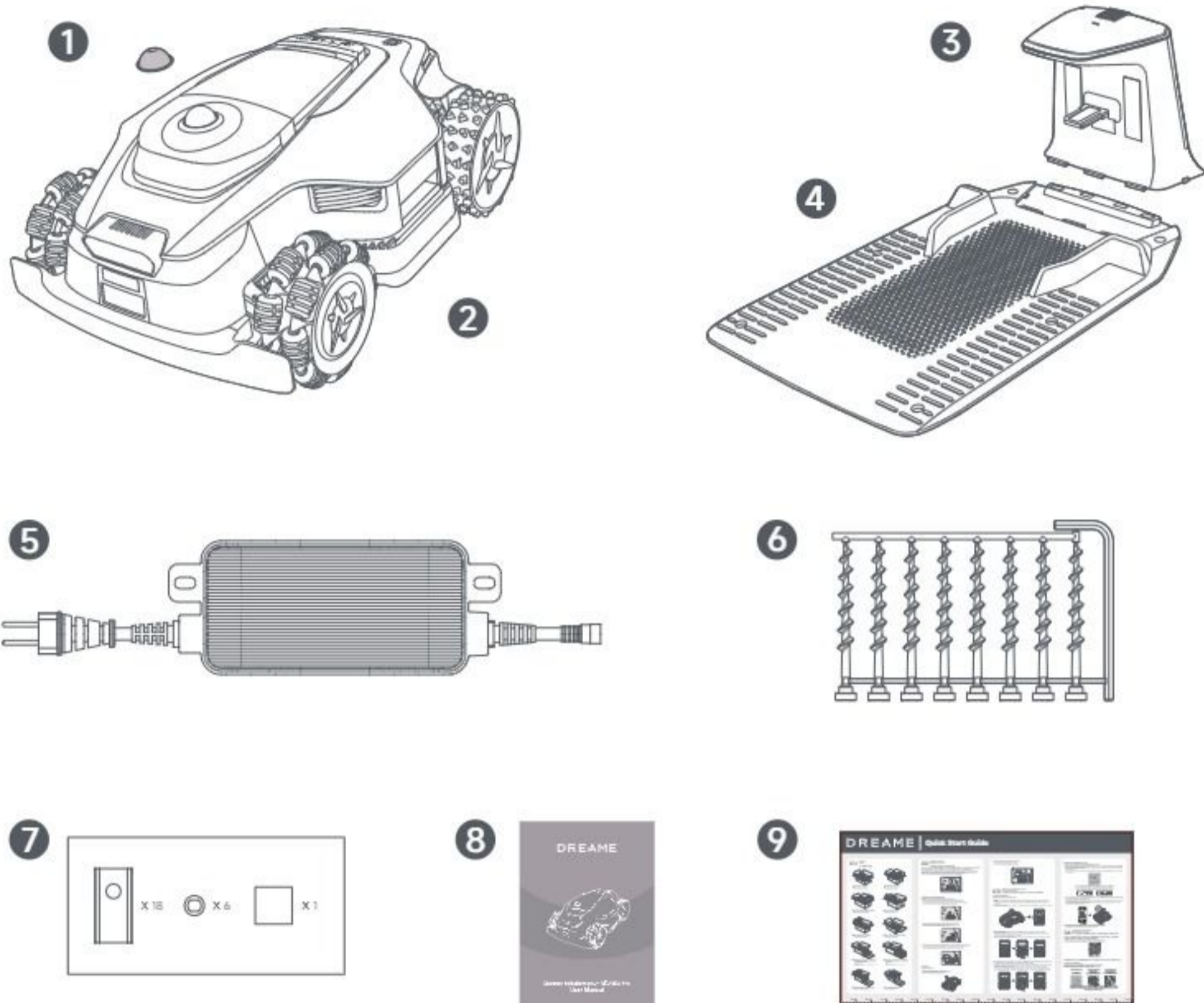
To ensure the safe operation of this device in networked environments, the following information is provided: This device is equipped with multiple network communication capabilities, including an Ethernet port (RJ-45), a Wi-Fi wireless communication module, and a USB debugging interface. Upon startup, the following network services are enabled by default:

- **Web Configuration Service (HTTP/HTTPS):** Listens on port 80 (HTTP) and port 443 (HTTPS) for local configuration and status monitoring. To prevent information leakage, it is recommended to disable the HTTP service immediately after installation, enable only HTTPS, and deploy a trusted TLS certificate.
- **Device Broadcasting (mDNS/SSDP):** Used for automatic discovery by broadcasting device information within the local area network (LAN). If not required, it is recommended to disable these services to reduce the risk of being scanned.
- **USB Interface:** Used for local firmware upgrades and log extraction. When debug mode is enabled, it may expose system file access permissions. It is recommended to restrict use to authorized personnel only and disable this interface when the device is not under maintenance.

For detailed configuration procedures, please refer to the *Preparation for First Use* section.

2 Product Introduction

2.1 What's in the Box



1 LiDAR protective cover

3 Charging tower
(with a 10m extension cable)

5 Power supply

7 Spare blades × 18, holders × 6,
lint-free cloth

9 Quick start guide

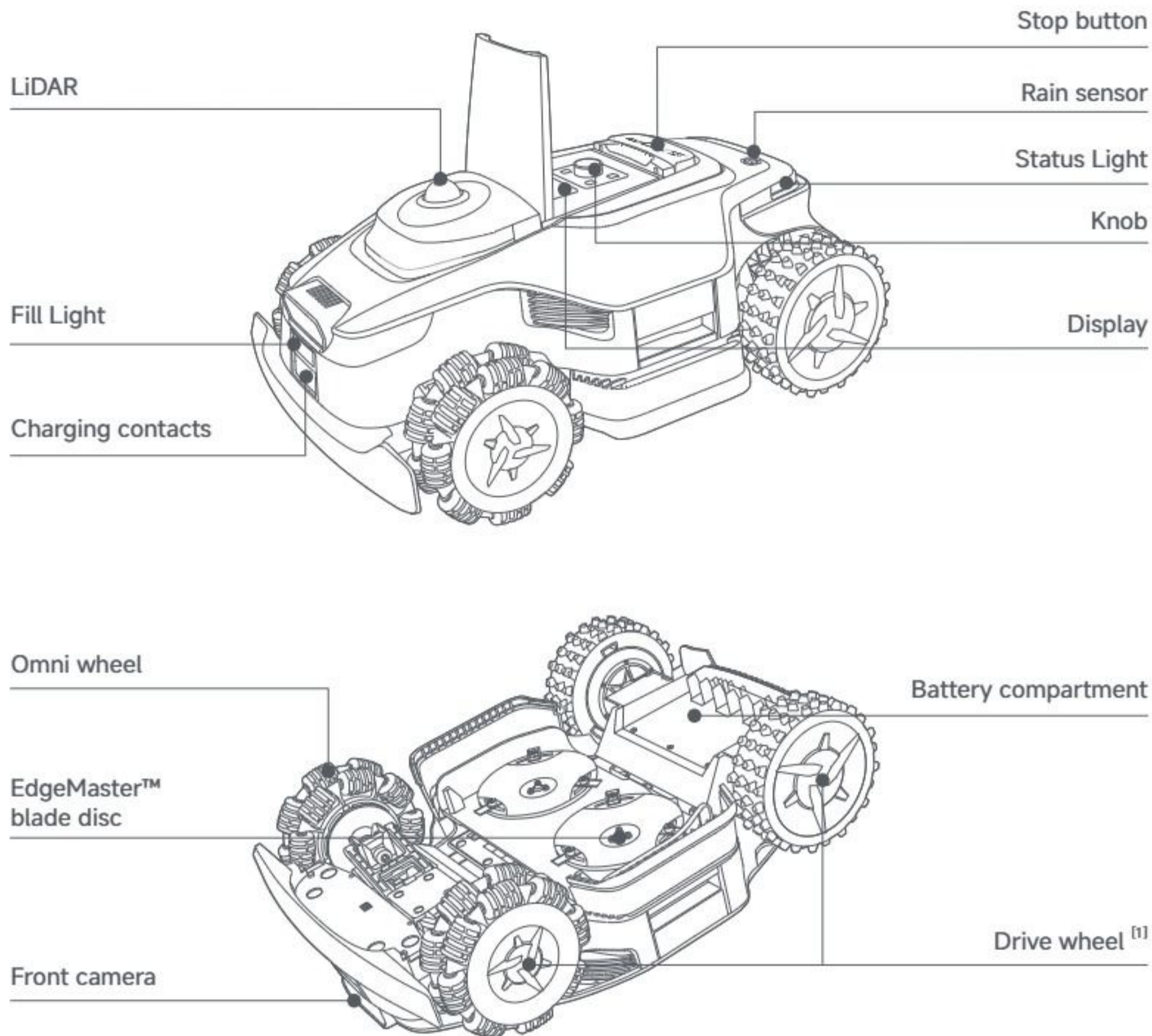
2 Robot lawn mower

4 Baseplate

6 Screws × 8, hex key

8 User manual

2.2 Product Overview



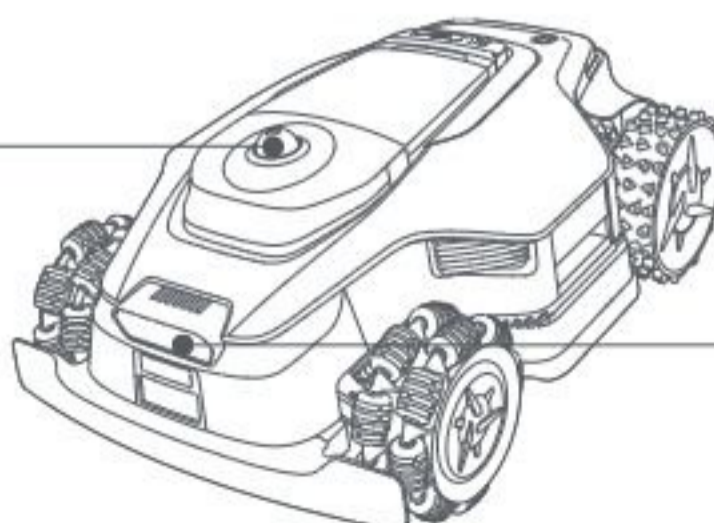
[1] Equipped with hub motors.

2.3 OmniSense™ 3.0: 3D Ultra-Sensing System with AI Cameras

Elevate lawn care to the next level with OmniSense™ 3.0, a groundbreaking 3D ultra-sensing system equipped with two algorithm-assisted HDR cameras, providing a more comprehensive and detailed perception of the garden's 3D environment.



OmniSense™ 3.0
3D Ultra-Sensing System




3D Omnidirectional Obstacle
Avoidance Enhanced by AI



2.4 Link Service with GPS and 4G Connectivity

The robot is equipped with the Link Service, offering 4G cellular network connectivity.

Activate the Link Service

Power on your robot and the Link Service will activate automatically.  will light up on the robot's display and in the app, indicating that activation is successful. You can view the usage status of the Link Service under **Connections** in the app.

With the Link Service activated, you can remotely monitor your robot's status and initiate mowing tasks without a Wi-Fi connection. Additionally, there is a built-in GPS for real-time location tracking, enhancing the robot's anti-theft capabilities. You can track its location at any time, from anywhere, and receive notifications if it moves outside the designated map area.

Link Service takes effect from the time of activation according to the product configuration you purchased. * To extend the service upon expiration, please contact the Dreame after-sales service team via aftersales@dreame.tech.

*Please check the remaining free period for Link Service in the app, or contact the Dreame after-sales service team for details.

2.5 Sensors

Name	Description
LiDAR	Obtains environmental information and facilitates the robot's positioning, obstacle avoidance and sensing of water and dirt. Detection range (at 100 klx): 40 m at 10% reflectivity; 70 m at 80% reflectivity Field of view: 360° (horizontal) × 59° (vertical)
Front Camera	Detects obstacles, lawn boundaries, and human presence. Angle of view: 89° (horizontal), 58° (vertical), 97° (diagonal) Resolution: 2 MP
GPS	The robot has a built-in GPS function. You can track the robot's realtime location in Google Maps via the app.

3 Installation

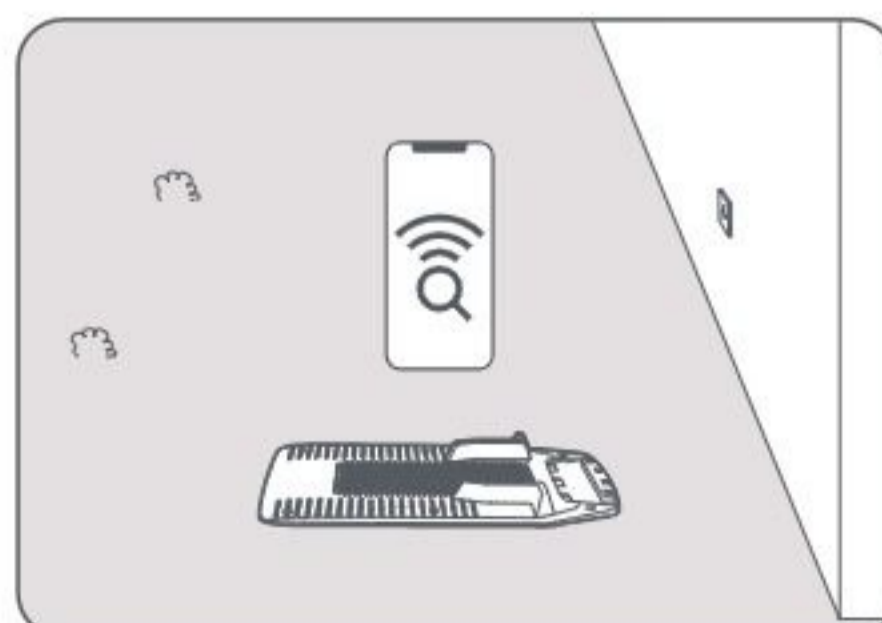
3.1 Select a Suitable Location

- Place the baseplate on a level surface near the edge of the lawn and a power outlet. Place it in an area with a strong Wi-Fi signal.

Note: Use your mobile device to help check the Wi-Fi signal strength of the location. A strong Wi-Fi signal strength ensures a stable connection between the robot and the app.

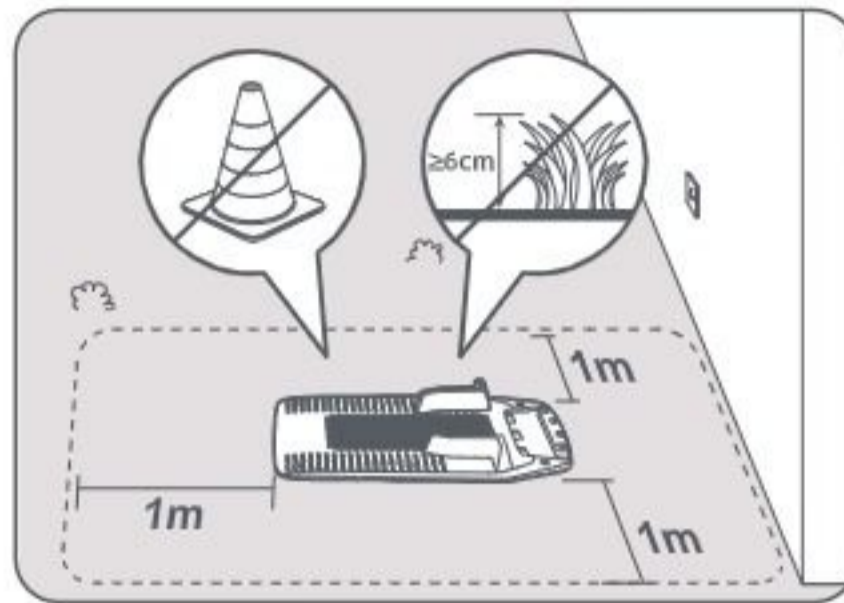
Important: Make sure the ground is soft enough to allow screw installation.

Important: If the charging station is on a slope, ensure the incline is not too steep to prevent the robot from slipping back and failing to dock.



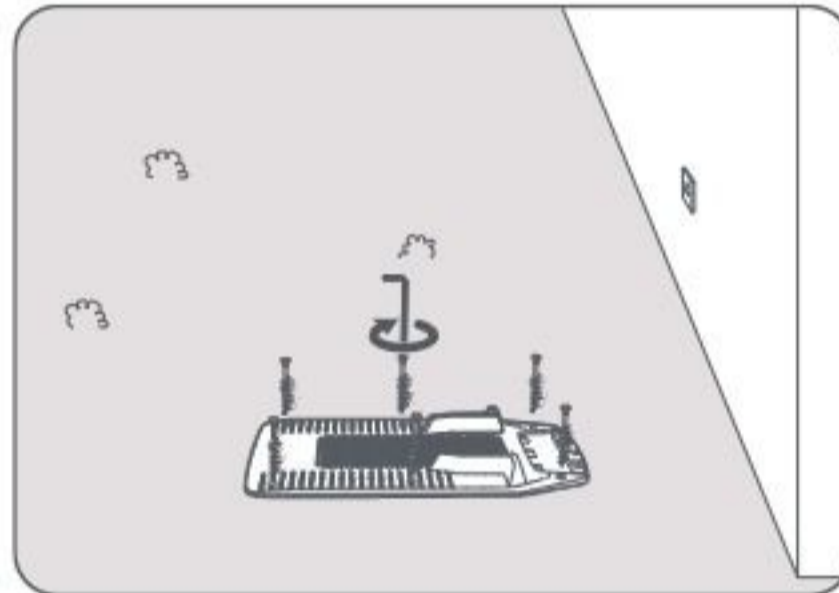
DREAME

- Keep at least **1 m** of free space with no obstacles to the left, right and in front of the baseplate. Make sure that the grass around the location is shorter than **6 cm**. If the grass is taller, please mow it with a push mower first. Tall grass may make it difficult for the robot to return to the charging station.

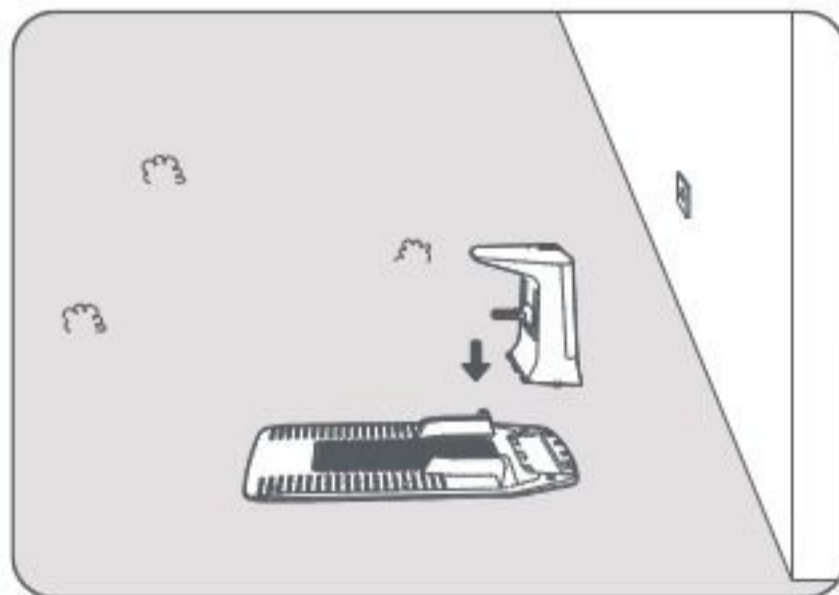


3.2 Install the Charging Station

- 1 Secure the baseplate to the ground with the supplied screws and hex key.

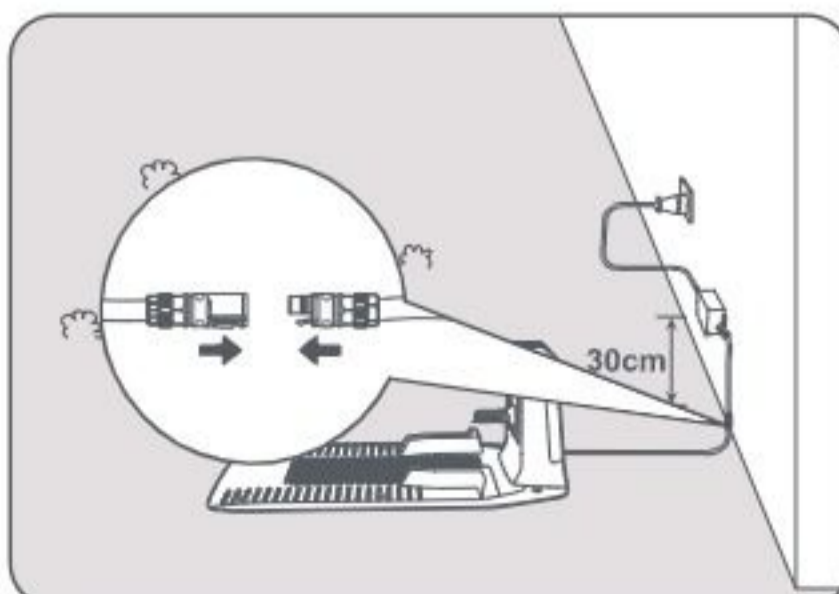


- 2 Insert the charging tower into the baseplate until you hear a click.

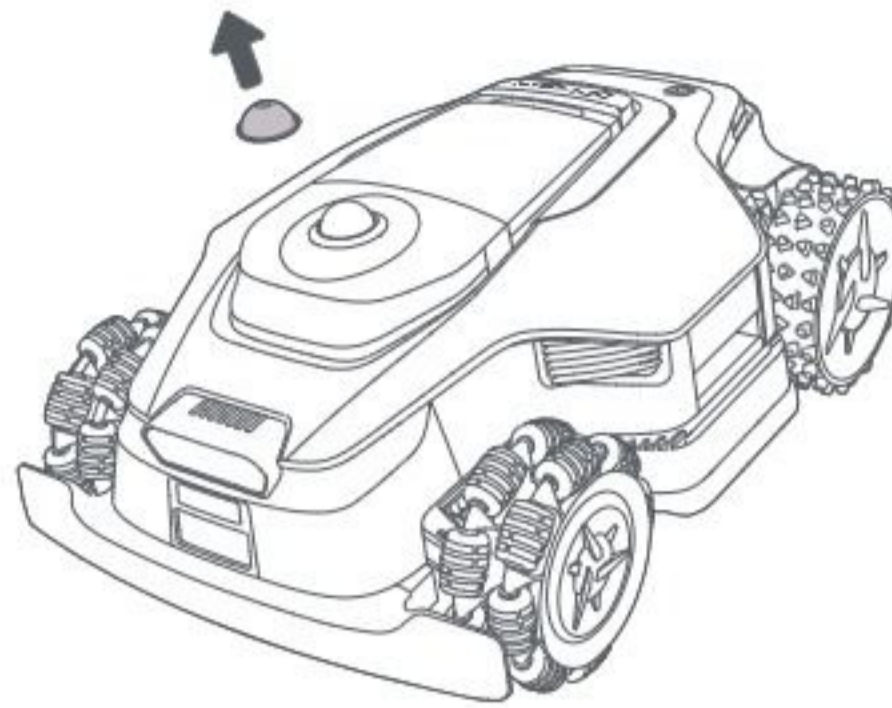


- 3 Connect the power supply to the extension cable and then connect to a power outlet. Please keep the power supply at least **30 cm** above the ground.

Note: The LED indicator on the charging station will be **constant blue** when there is power.



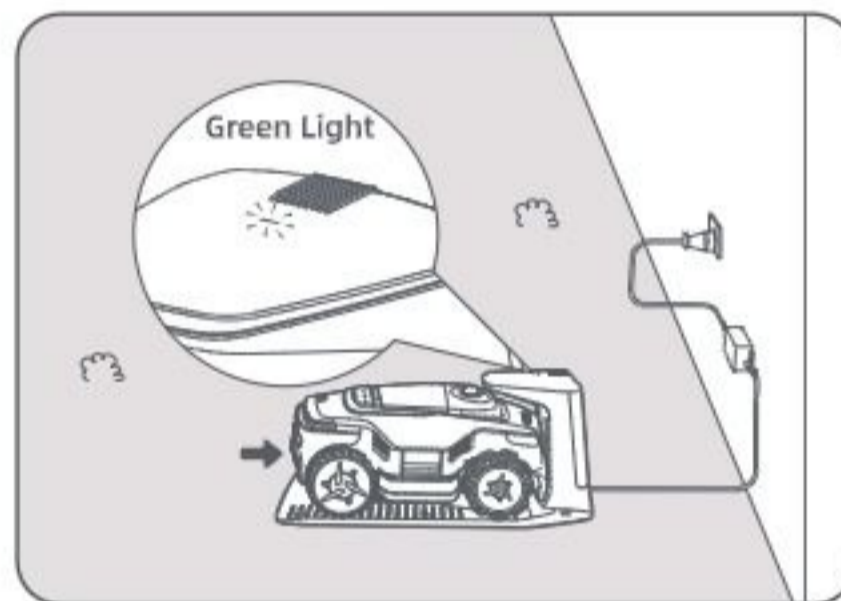
4 Remove the LiDAR protective cover.



5 Put the robot in the charging station to charge. Make sure the charging contacts on the robot and the charging station are connected correctly.

Note: The indicator light will **blink green** when the robot is charging successfully in the charging station.

Note: If you're looking to add a garage for extra protection, please use the matching Dreame Garage available at local stores or online. Using a non-Dreame garage may cause issues during recharging.

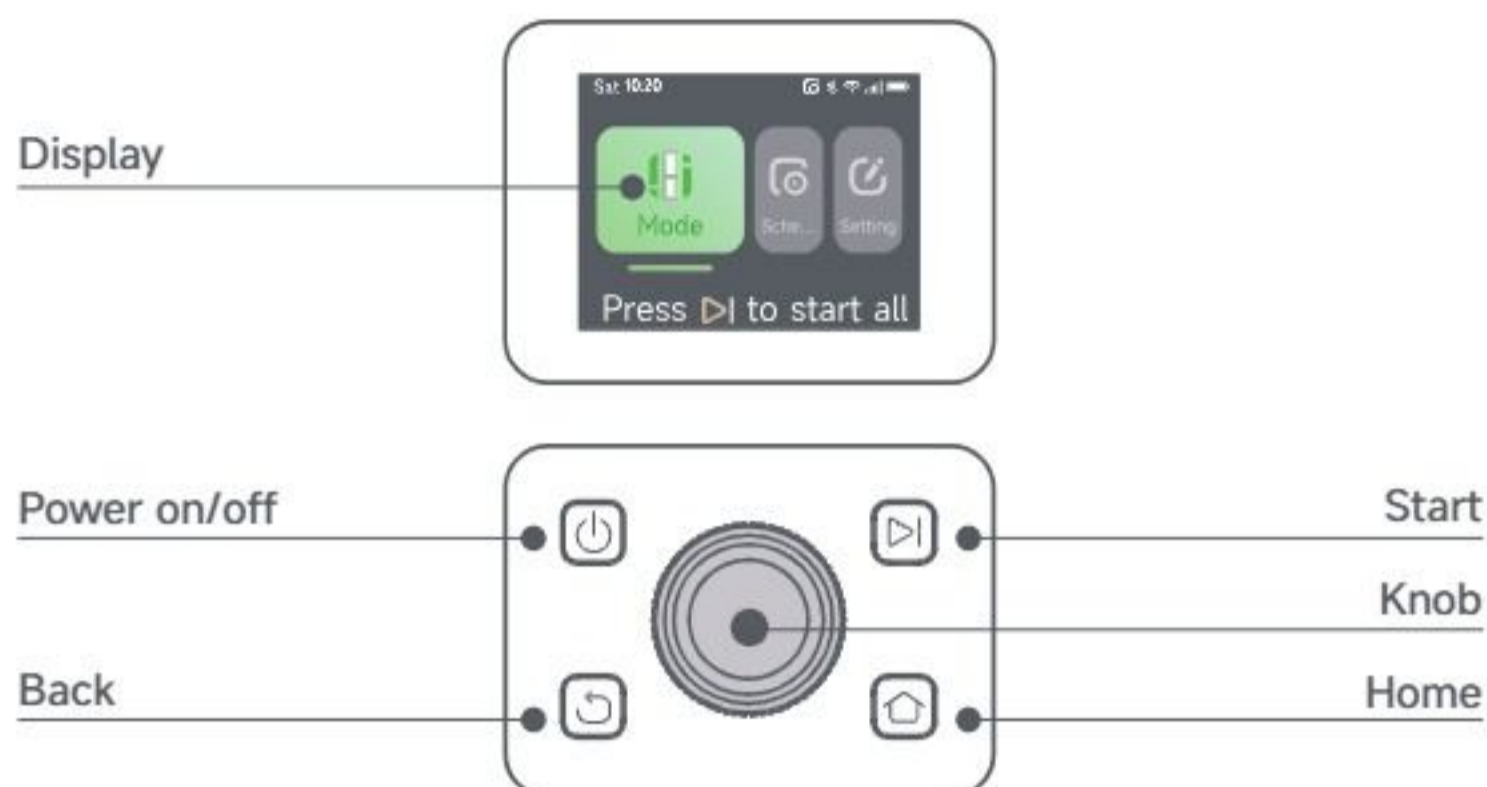


LED Indicator on the Charging Station

LED Indicator Light Colour	Meaning
Blinking/solid red	1. There is an issue with the charging station (such as a problem with the charging current or voltage).
	2. The robot docks in the charging station but the charging is abnormal (for example charging contacts have a short circuit).
Solid blue	The charging station has power. The robot is not in the charging station.
Blinking green	The robot is charging in the charging station.
Solid green	The robot is fully charged at the station / outside the charging hours.

4 Preparation for First Use

4.1 Get Familiar with the Control Panel








Display

Icon	Status
	Battery level (Shows the current battery level.)
	Charging (The robot successfully docks in the charging station.)
	Bluetooth (The robot is connected to the app via Bluetooth.)
	Wi-Fi (The robot is connected to the app via a Wi-Fi network.)
	Link service (Link service is activated.)
	Schedule (A task is scheduled for today and has not started yet.)

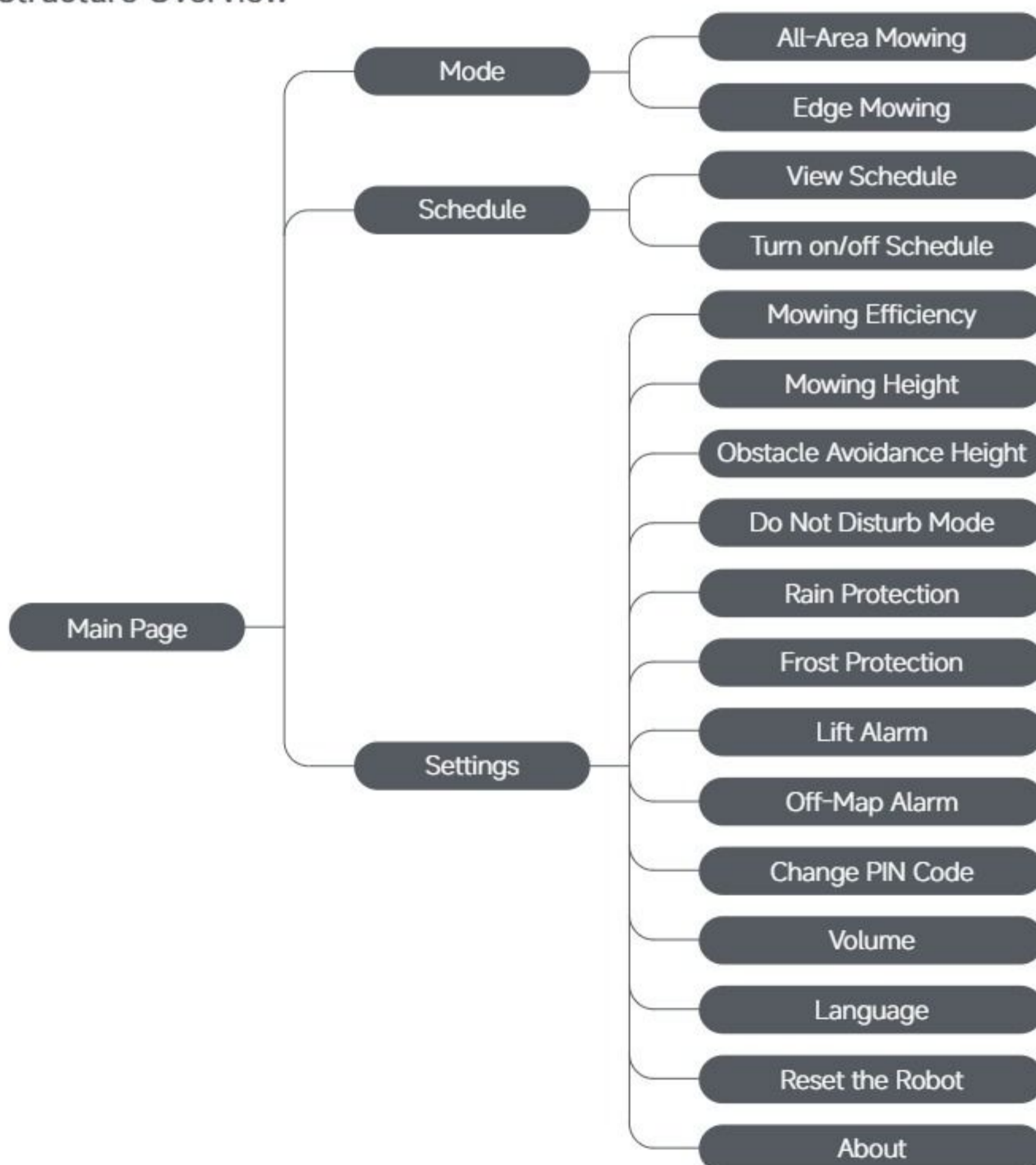
Controls

Button	Function
Power	To turn on/off the robot, press and hold the button for 2 seconds. Ensure it is outside the charging station.
Start	To start all-area mowing or resume paused tasks, press the button, then close the cover in 5 seconds. The task will be canceled if the cover is not closed in 5 seconds.
Home	To send the robot back to the charging station to charge, press the button, then close the cover in 5 seconds. The task will be canceled if the cover is not closed in 5 seconds.
Back	To navigate up one level in the menu, press the button.

Controls

Knob	To confirm the selection in the menus, press the knob.
	To enable Bluetooth pairing mode, press and hold the knob for 3 seconds.
	To navigate through the menu, turn the knob clockwise/anticlockwise.
Start + Back	To factory reset the robot, press and hold the  button and the  button together for 3 seconds. The PIN code will not be erased.
Home + Back	Press and hold  button and  button together for 3 seconds to enter the About page in Settings. The About page will disappear in 5 seconds.
Knob + Back	To reset the PIN code, press and hold the knob and the  button together for 3 seconds.
Stop	Press the Stop button to open the top cover and stop the robot. PIN code must be entered on the control panel to resume the operation.

Menu Structure Overview



*It might be updated depending on the software version.

DREAME

Status Light on the Robot

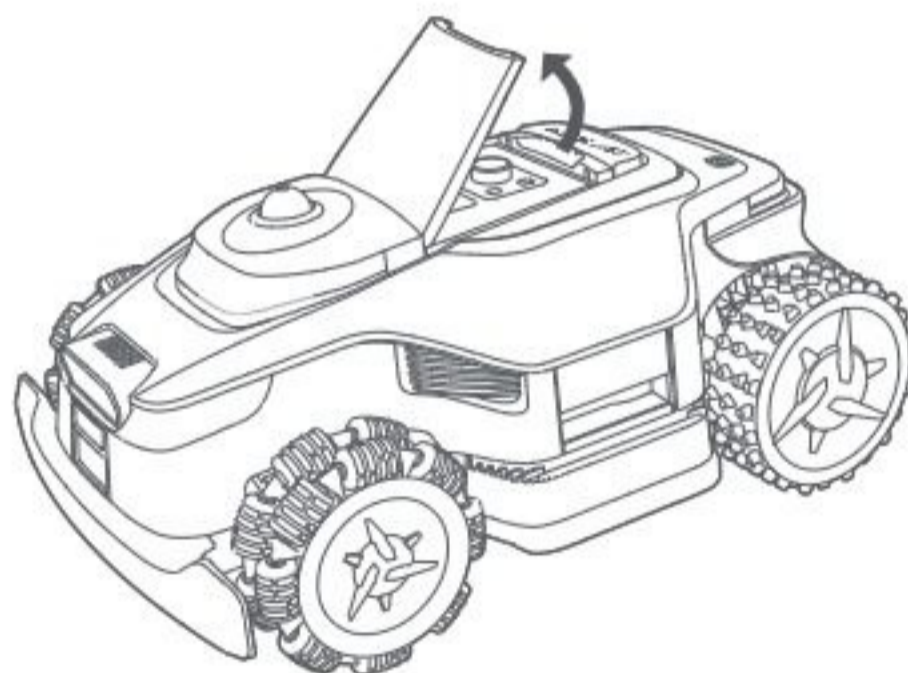
Colour	Meaning
Solid red	1. The robot is on standby.
	2. The robot is performing a task or is paused.
	3. The battery is fully charged (The brightness is lower than when fully charged).
	4. The robot is docked with the charging station and charging.
Scrolling	The robot has docked with the charging station.
Breathing red	1. The robot is on patrol.
	2. Real-time video from the front camera is displayed via the app.
	3. The robot is advancing towards the designated location.
Blinking red	The robot has encountered a malfunction during the task.
Center-out wave	The robot is powering on.

Note: You can customize the activation period and scenarios of the robot light in **Settings > Light**.

4.2 Initial Settings

Before turning the robot on for the first time, there are some basic settings to do before the robot is ready to start working.

- 1 Lift the top cover.



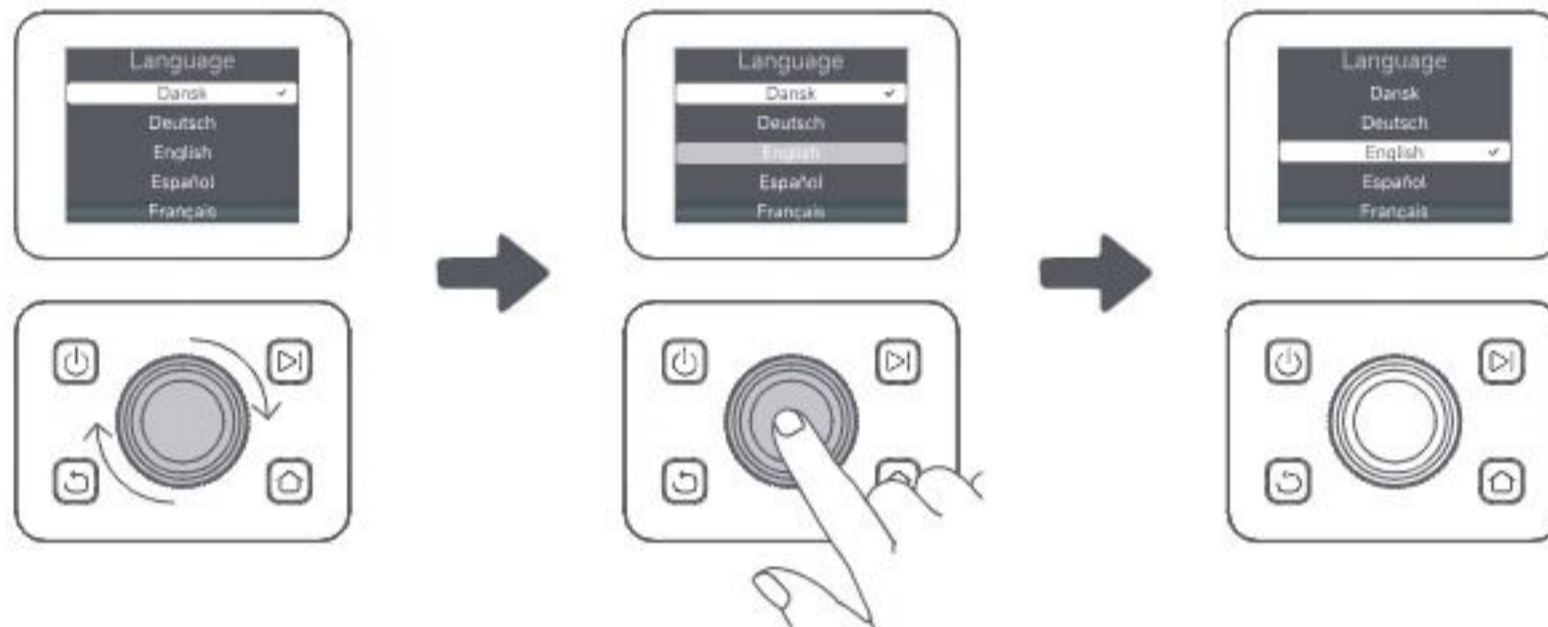
- 2 Press and hold the  button on the control panel for 2 seconds to turn on the robot.

Note: The robot will automatically turn on when it docks in the charging station.



3 Select the Language You Prefer

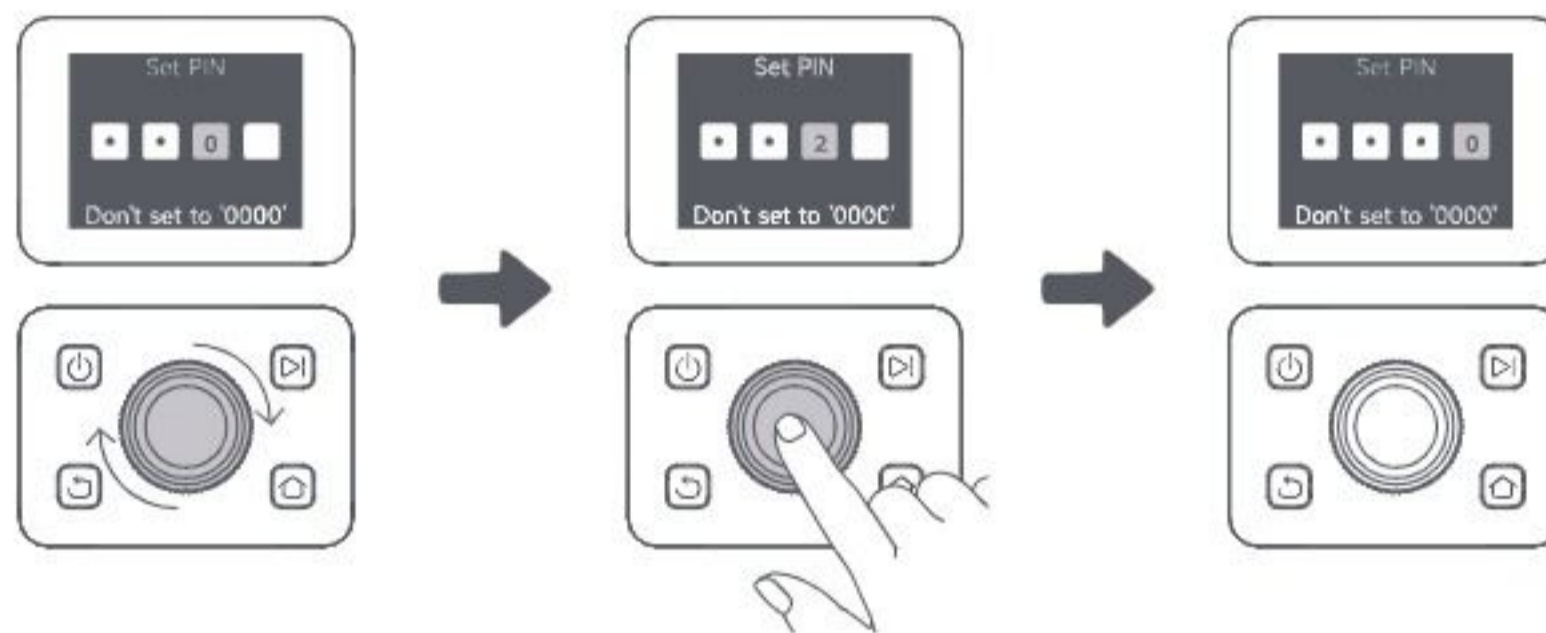
Turn the knob clockwise to go down and anticlockwise to go up to select your language. Press the knob to confirm.



4 Set PIN Code

1. Turn the knob to select a number from 0 to 9. Turn clockwise to increase the number and anticlockwise to decrease it. Press the knob to confirm and set the next digit. To modify the previous digit, turn the knob anticlockwise until the number becomes 0 and keep turning it one time more.

Important: Please do not set the PIN code to "0000".



2. Enter the PIN code again to complete setting the PIN code.

Note: If two passwords do not match, please set the new password again.

5 Connect the Robot to the Internet

Please scan the QR code to download the Dreamehome app on your mobile device. After the installation, please create an account and log in.



You can also download Dreamehome app from App Store or Google Play.



The robot supports 4G connectivity and includes built-in GPS. However, for optimal performance, we recommend setting up a Wi-Fi connection.

Before Network Setup:

- Make sure the robot and your mobile device are on the same Wi-Fi network.
- Make sure that your mobile device is within **10 m** of the robot.
- Enable Bluetooth function on your mobile device.

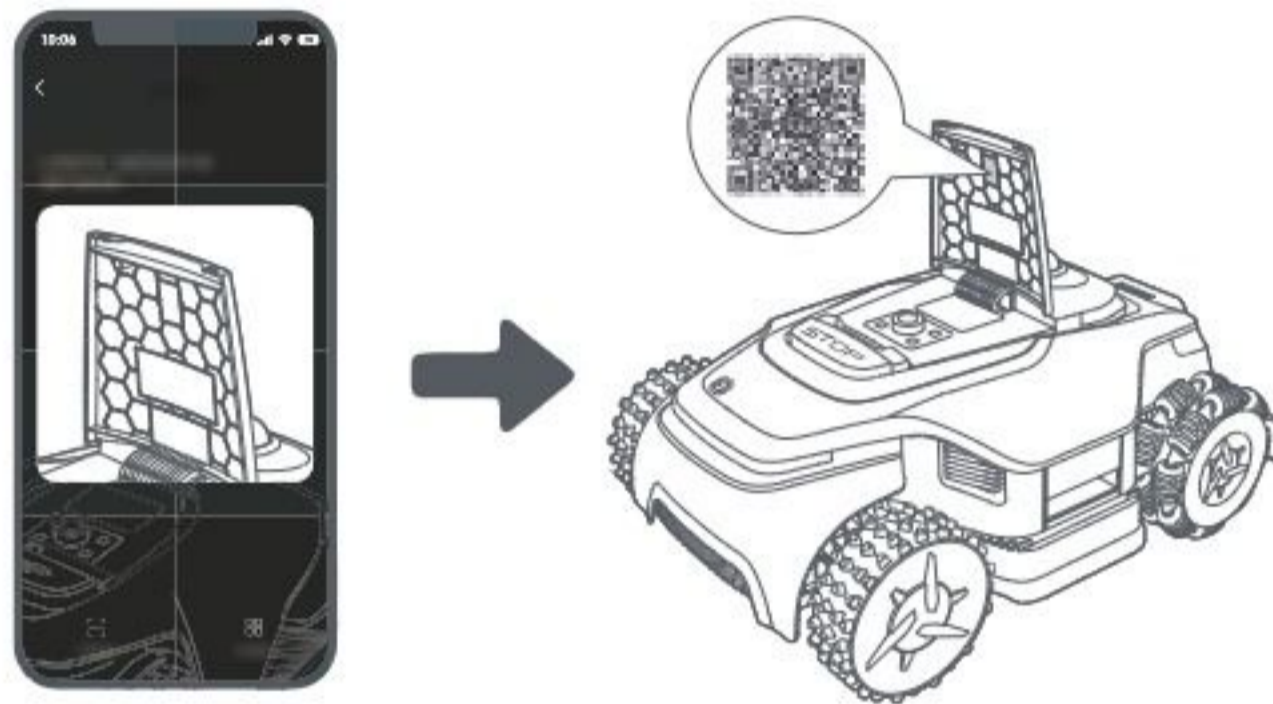
1. Open the Dreamehome app.

2. You can connect via one of the following methods:

a. Scan the QR code: Go to  **Device** and tap  **Scan QR code to connect**. Scan the QR code located inside the robot's top cover to connect.

b. Add Manually: Go to  **Device** and tap  **Add**. Then select your robot model to connect.

c. Automatic discovery: The robot will search for nearby devices. Tap your robot from the list of discovered devices to connect.

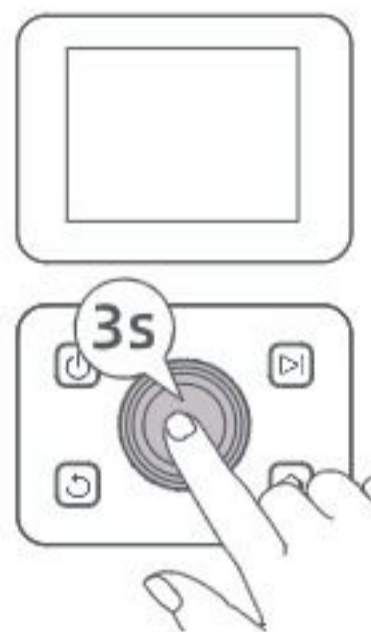


3. Follow the in-app instructions to complete the Wi-Fi network connection.

Important: Please use a single-band network of 2.4 GHz frequency or dual-band network of 2.4/5 GHz frequency.

Important: Make sure your Wi-Fi network doesn't have a firewall and isn't encrypted. Otherwise, the network setup may fail.

4. Press and hold the knob on the control panel for 3 seconds. The robot will enter Bluetooth pairing mode.






5. Follow the in-app instructions to complete the pairing.

How to unbind the robot?

The robot is automatically bound to the Dreamehome account once pairing is successful. Each device can only be bound to one account. It cannot be bound to another account at the same time.

To pair the robot with a new account, you need to unbind it first. To unbind it:

1. Open the Dreamehome app. Go to  **Device**.
2. If you have multiple robots bound to your Dreamehome account, swipe left or right to access the page of the robot you want to edit.
3. Tap  in the upper right corner.
4. Select  **Delete**.

How to share your robot?

1. Tap  in the upper right corner.
2. Select  **Device Sharing**.

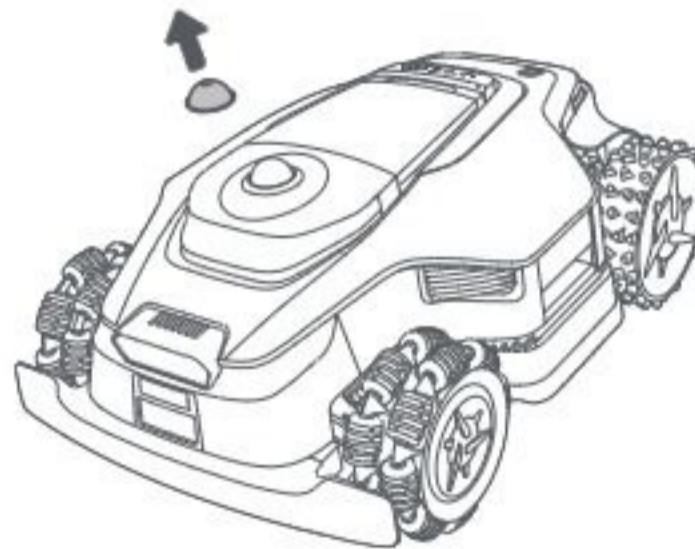
How to log out of your Dreamehome account or delete it?

1. Go to  **Me** >  > **Account**.
2. Select **Log Out** or **Delete Account**.

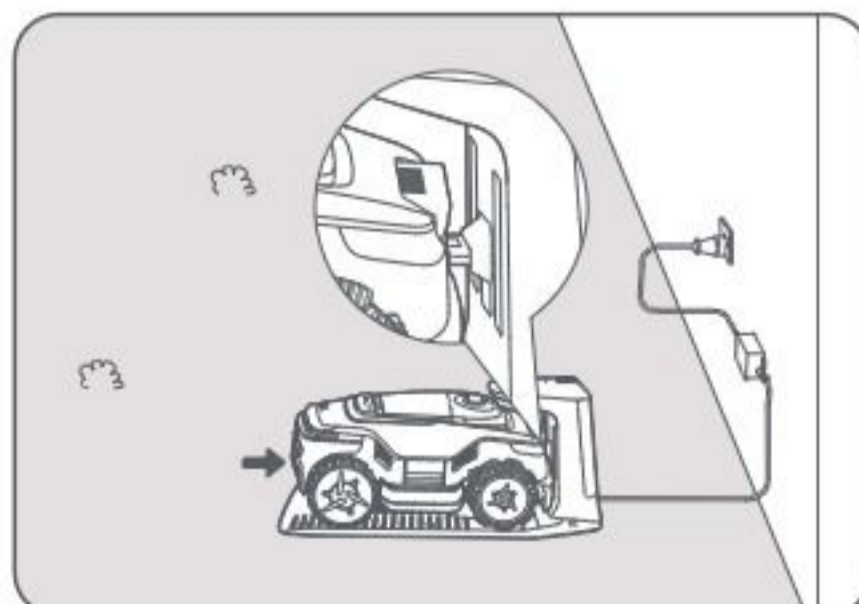
5 Map Your Garden

Before mapping, please check the following:

- The battery level of the robot is more than 50%.
- The protective cover of the LiDAR is removed.



- The top cover is closed.
- The robot correctly docks in the charging station.



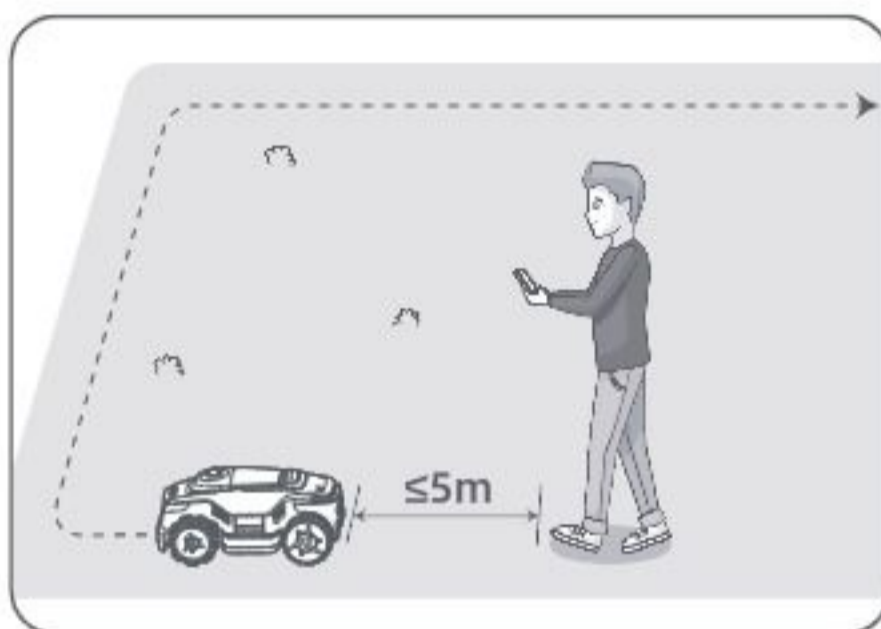
5.1 Create the Virtual Boundary

Before starting the mapping progress, please keep the following in mind:

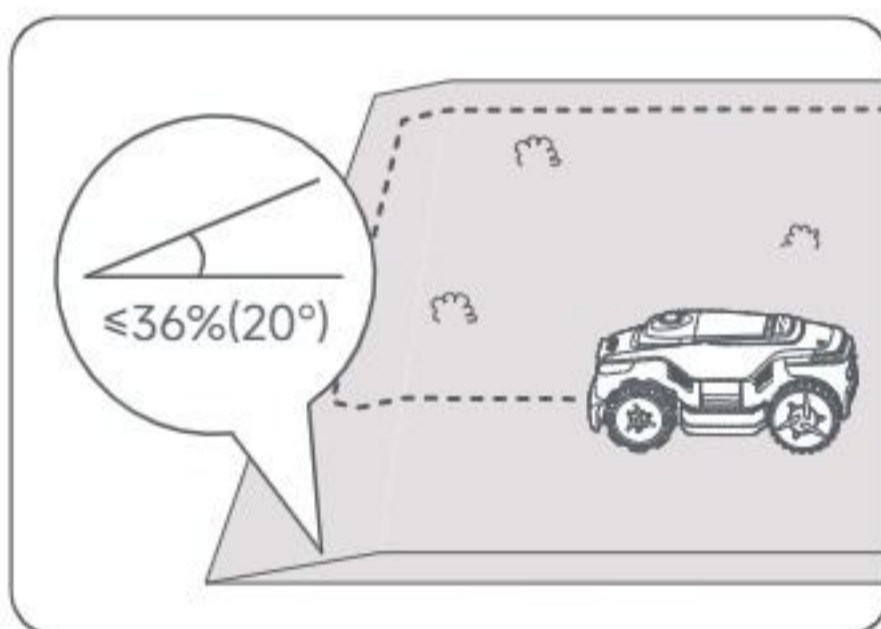
Important: Do not manually move the robot when creating the boundary, as this may cause the mapping to fail.

Important: When the mapping begins, do not remotely dock the robot in the charging station until the mapping progress is complete. Otherwise, the LiDAR may be blocked, which can cause the mapping to fail.

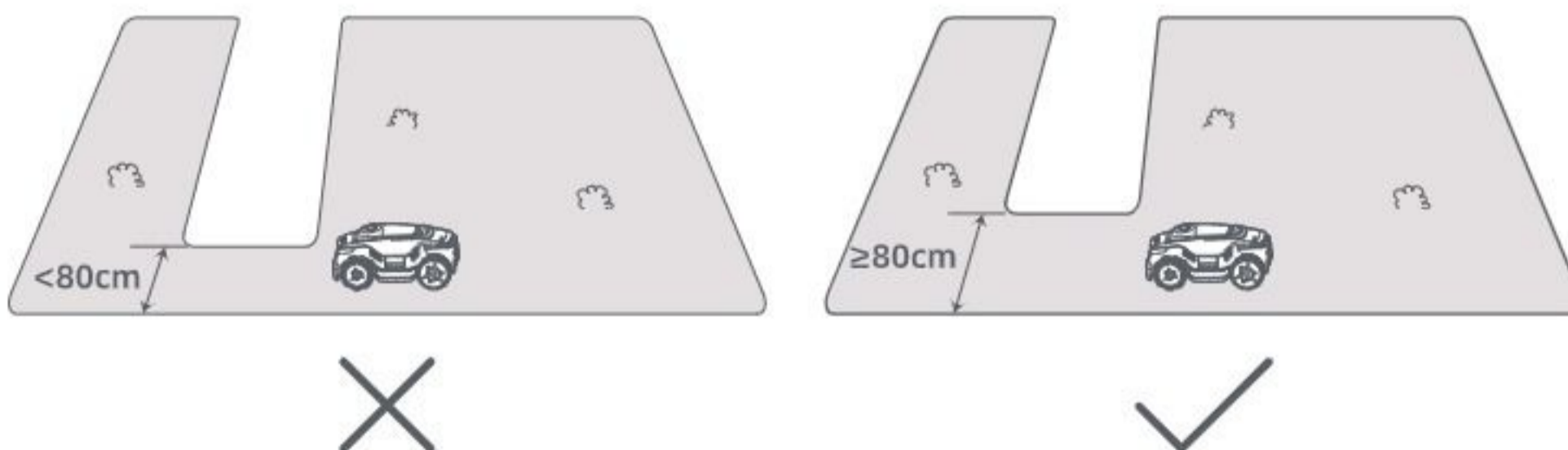
- Walk within **5 m** behind the robot during the mapping progress.



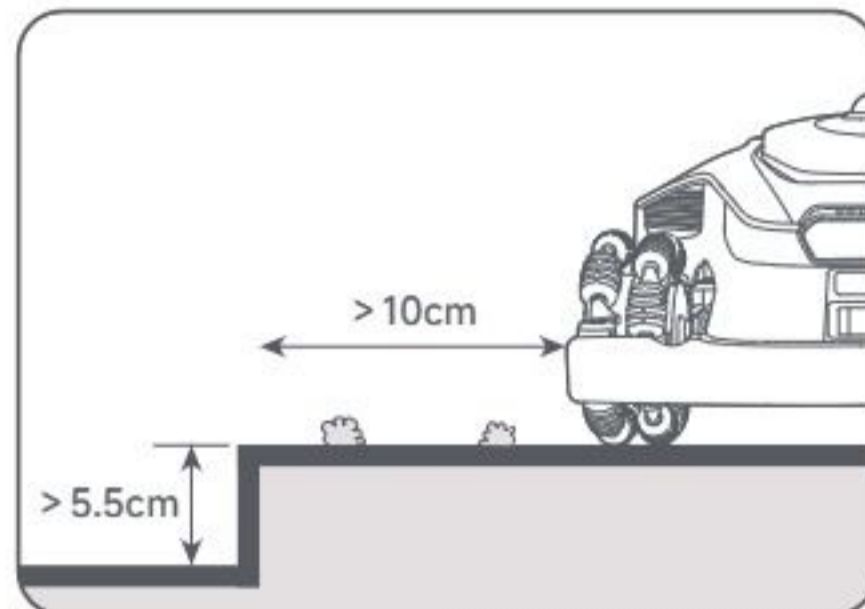
- The robot can navigate slopes with an incline up to **80% (38°)**. However, for better mowing results, it is recommended to keep the slopes of work areas below **36% (20°)**.



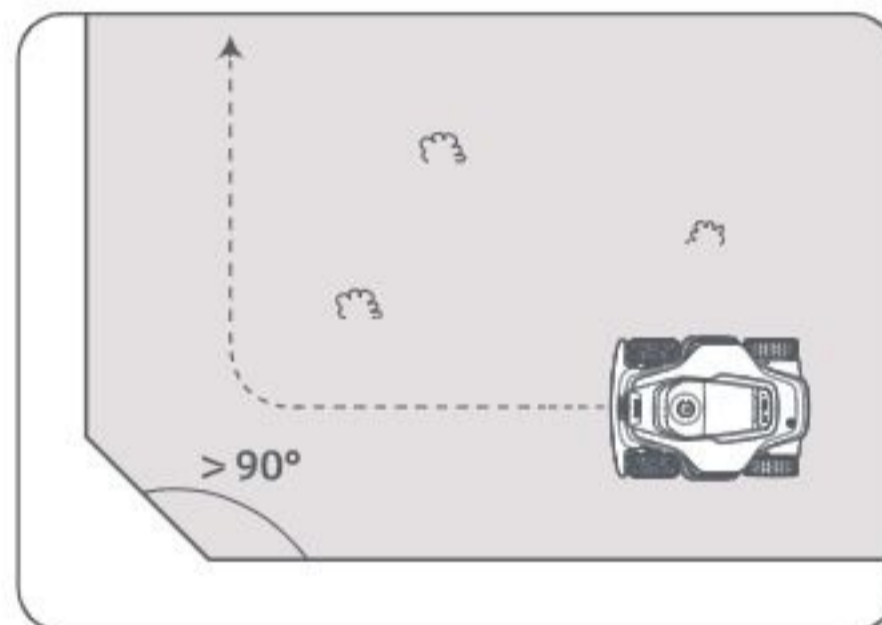
- For areas narrower than **80 cm**, please set them as paths to allow the robot to pass through (see section 5.4: **Set Path**).



- If your lawn is more than **5.5 cm** higher than the adjacent ground, keep the robot at least **10 cm** away from the edge. If your lawn is level with the adjacent ground, the robot can cross the perimeter for optimal mowing results along the edges.

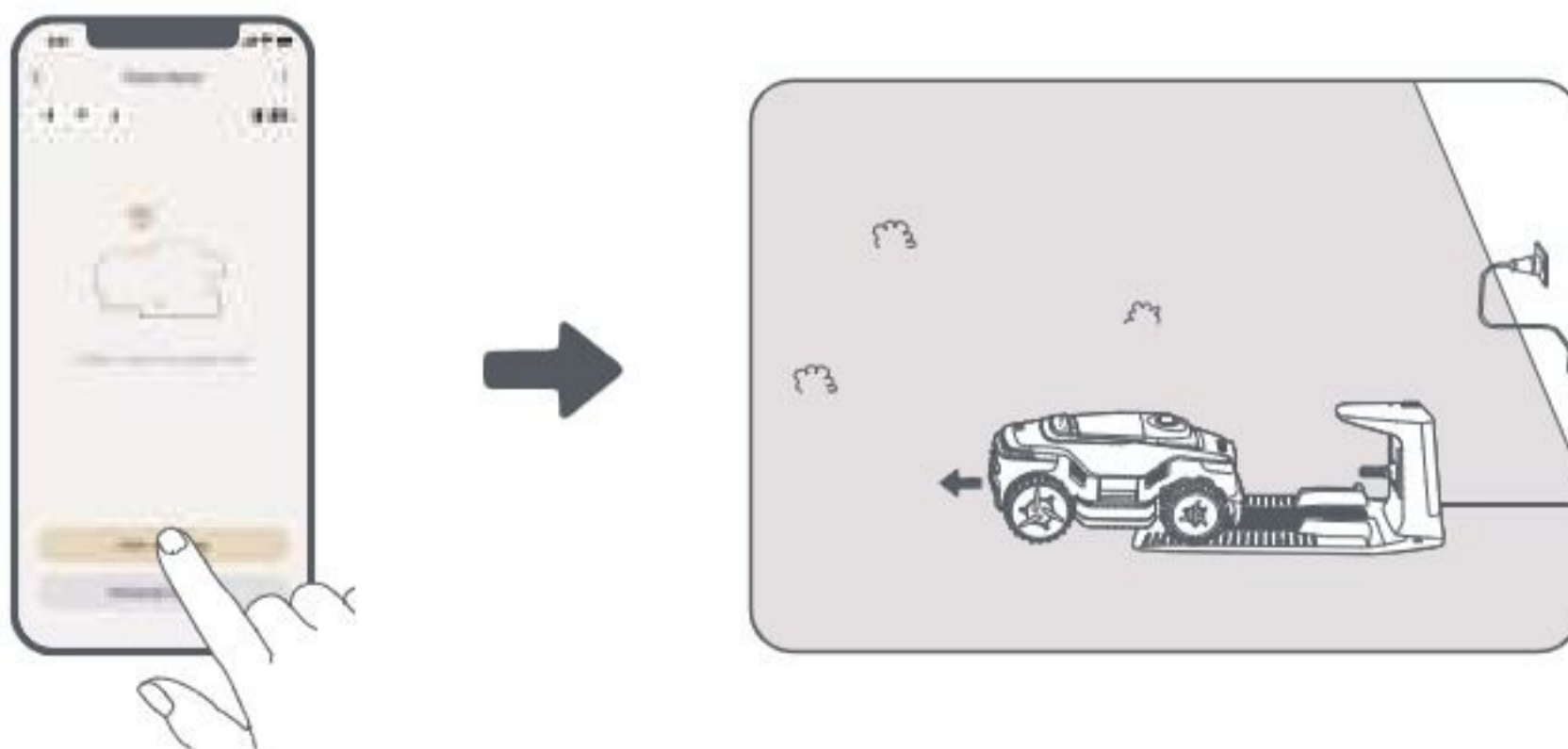


- Make sure the turning angles are greater than **90°**. Angles smaller than 90° can make it difficult for the robot to achieve a clean cut.

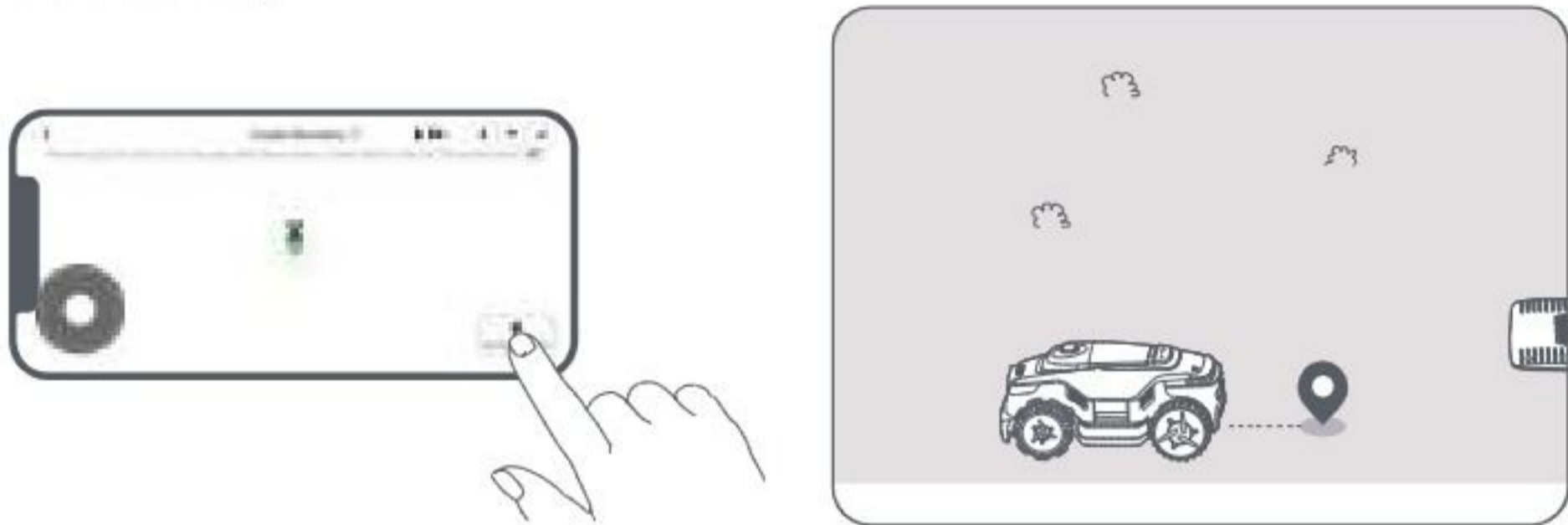


Start Mapping:

1. Tap **Start Creating** via the app, and the robot will check its status and calibrate. It will automatically leave the charging station to do the calibration. Please be careful.



2. Guide the robot remotely to the edge of your lawn and tap **Set Starting Point** to establish the starting point for the boundary.



3. Remote control the robot to move along the perimeter of your lawn to map out the work area.

Auto Boundary Detection

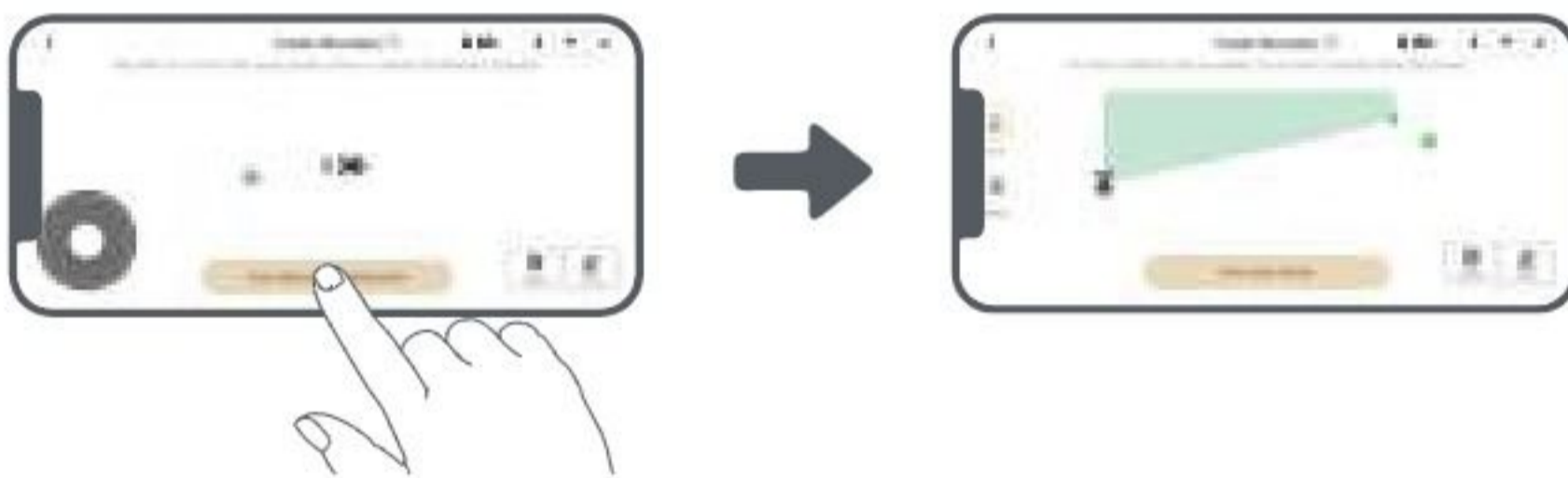
Powered by an advanced AI algorithm, the robot uses its front camera to detect grass and non-grass areas, allowing it to identify boundaries without the need for manual guidance.

After guiding the robot remotely to the lawn edge and setting the starting point, you can use **Auto Boundary Detection** mode. You can choose whether the robot should cross the perimeter for cleaner edge cutting results or stay close to it to avoid getting stuck.

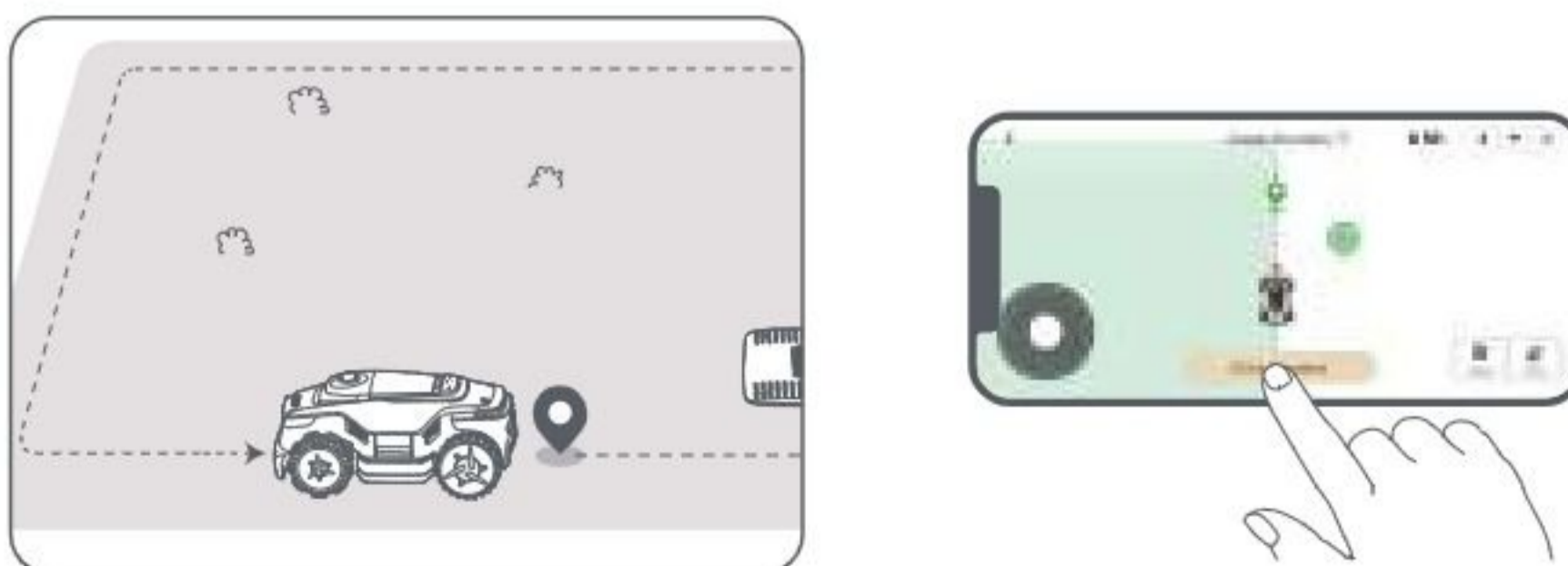
We recommend following the robot during this process. If the robot fails to accurately detect the boundaries, you can exit Auto Boundary Detection mode and switch to remote control at any time.

Important: The Auto Boundary Detection mode should be used in daylight to ensure proper visibility. Avoid using this feature in poor light or rainy conditions.


Important: Make sure the robot's front camera is clean and unobstructed.

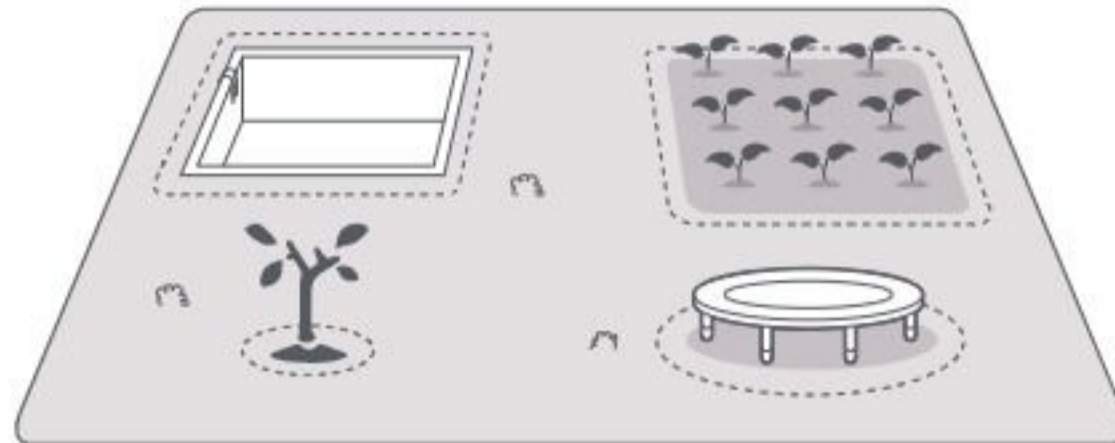


4. When the robot returns to within **1 m** of the starting point, you can tap **Close Boundary** and the boundary will automatically be completed.




5.2 Set No-Go Zone

Though the robot can automatically avoid obstacles, it is still necessary to set areas with a risk of falling, such as swimming pools and sandpits, as no-go zones. For objects you want to protect (such as a flowerbed, a trampoline, a vegetable patch or an exposed tree root), please set them as no-go zones. You can tap **No-go zone** in the app to continue creating no-go zones. Alternatively, you can go to  > **Map Editing** to create or delete the no-go zones after the map is finished.




5.3 Create More Zones and Expand Existing Zones

- **To Create More Zones**


If your lawn is separated by roads or you have several isolated lawns, you can tap **Set zone** in the app to continue creating work areas. You can also add, delete or modify the zones in  > **Map Editing** when the map is finished.



- **To Expand Existing Zones**

To expand existing zone, tap **Set zone** in the app to create the area you want to include. If the two areas overlap, they will be automatically merged. Alternatively, you can go to  > **Map Editing** > **Set zone** after mapping is complete to expand a existing zone.

- **To Separate and Combine Zones**

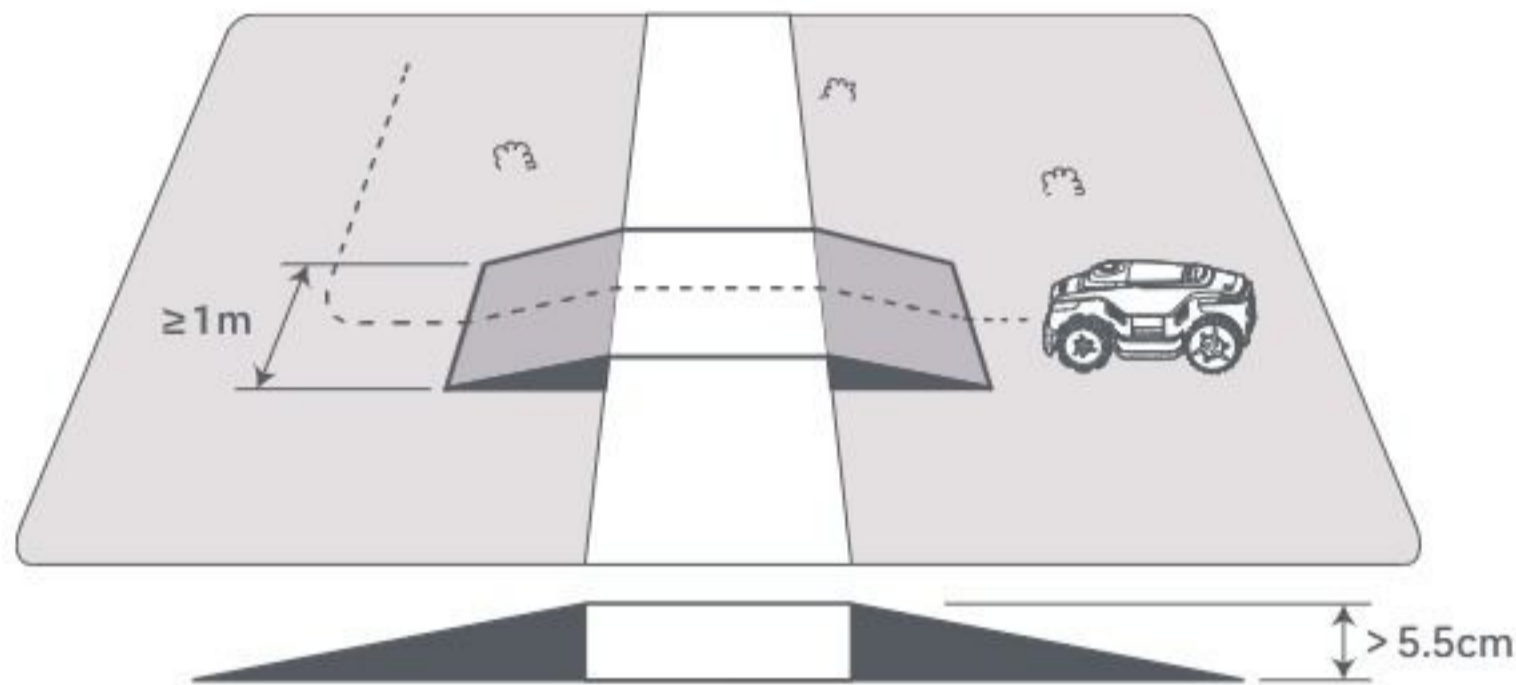
To divide a zone into smaller ones or to merge zones that were divided using the app into a larger one, go to  > **Map Editing** > **Zone settings** and tap **Split zone** or **Merge** in the app.

5.4 Set Path

For isolated zones, please create a path to connect them. Isolated zones without a path will be inaccessible to the robot.

Note: By default, the robot only moves along the path without mowing the grass.

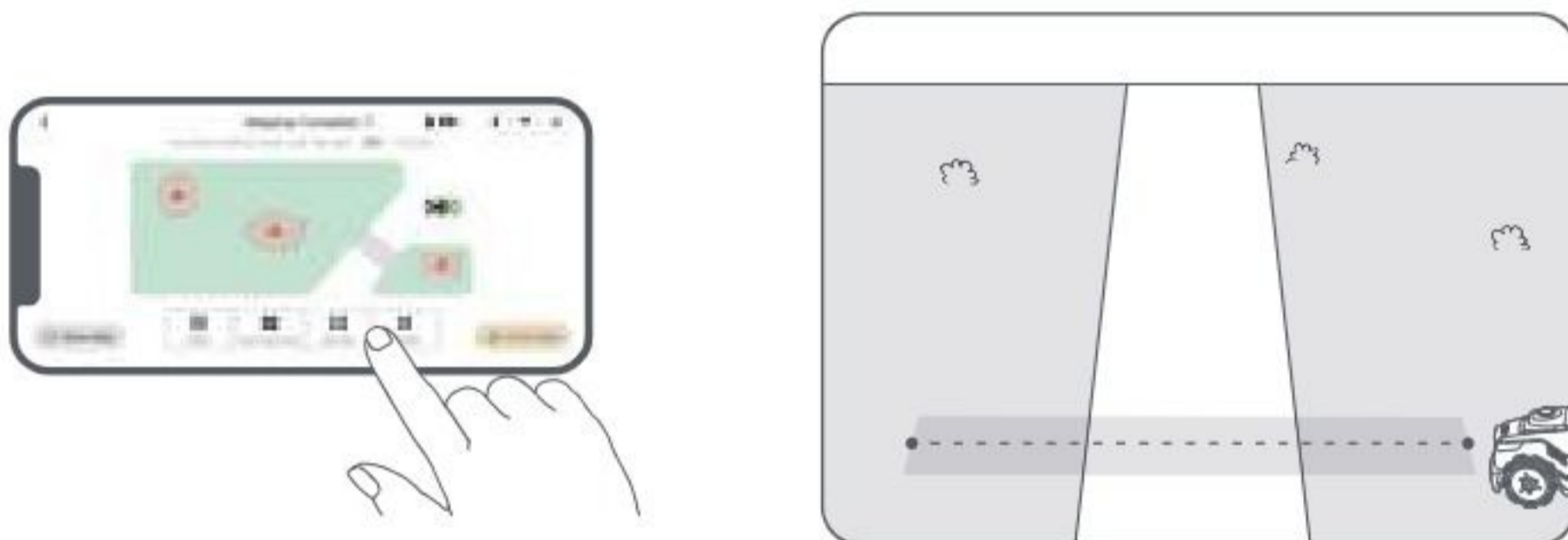
Important: If your lawn is divided by passages higher than **5.5 cm**, place an object with a slope equal in height to the passage (such as a ramp).



- **To Connect Two Isolated Work Zones**

For isolated areas, please create paths to connect them, otherwise they will be inaccessible to the robot. Tap **Set path** to create a path.

Important: Make sure the beginning and end of the path are in the work area.

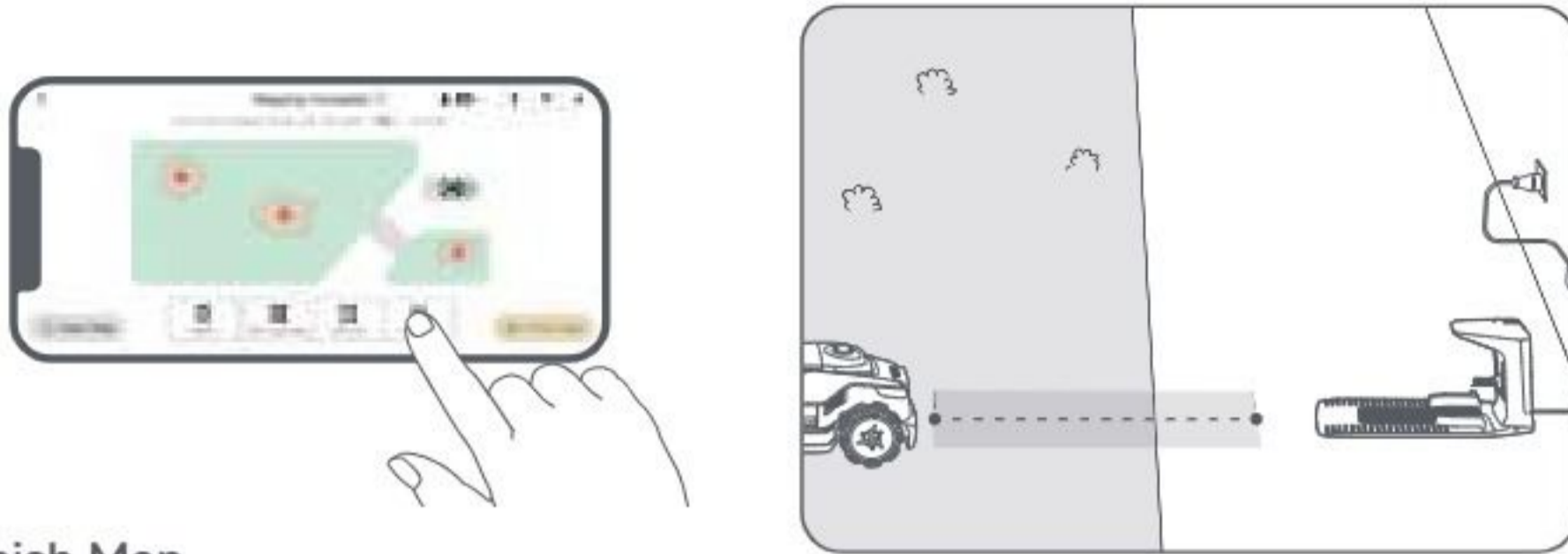


- **To Connect the Work Area and the Charging Station**

If your charging station is not in the work area, a path should be created to connect it to the work area. Tap **Set path** to create a path that allows the robot to return to the charging station.

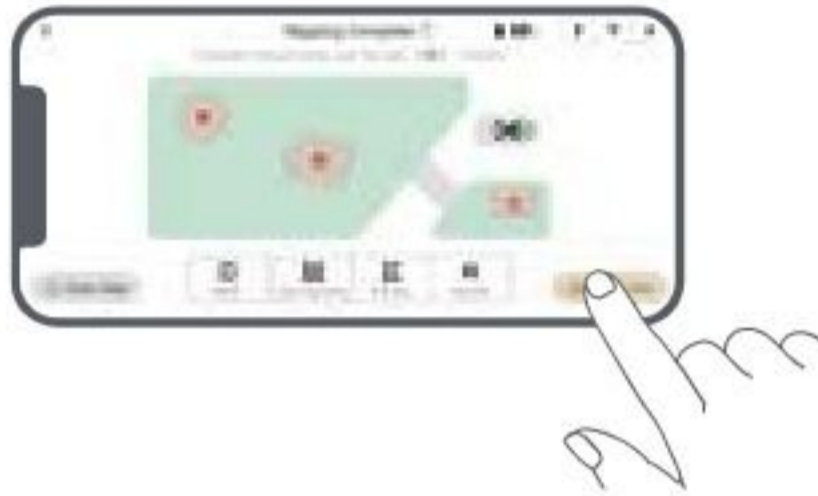
Important: Ensure that one end is inside the work area, and the other end is right in front of the charging station. It's advisable to align the path with the charging station.

Important: When creating paths to connect the work area and the charging station, do not remotely dock the robot in the charging station. Otherwise, the LiDAR may be blocked, which can cause the mapping to fail.





5.5 Finish Map

Tap **Finish Map** when work areas, paths and no-go zones are completed.



5.6 Add a Second Map

If there is no path between your front and back gardens, you can create a second map. After completing the first map, tap **Add Map** to continue creating the second one. Alternatively, you can navigate to  > **Map Editing** and tap **Add Map** after mapping is complete. Once you have finished the second map, you can switch between maps through  > **Map Editing**.

Note: After switching the map, the schedules and mowing settings of the current map will be applied.

Note: You can purchase an additional charging station to install in the second map for greater convenience. With a separate charging station installed in the second map, you only need to move the robot manually between two maps.

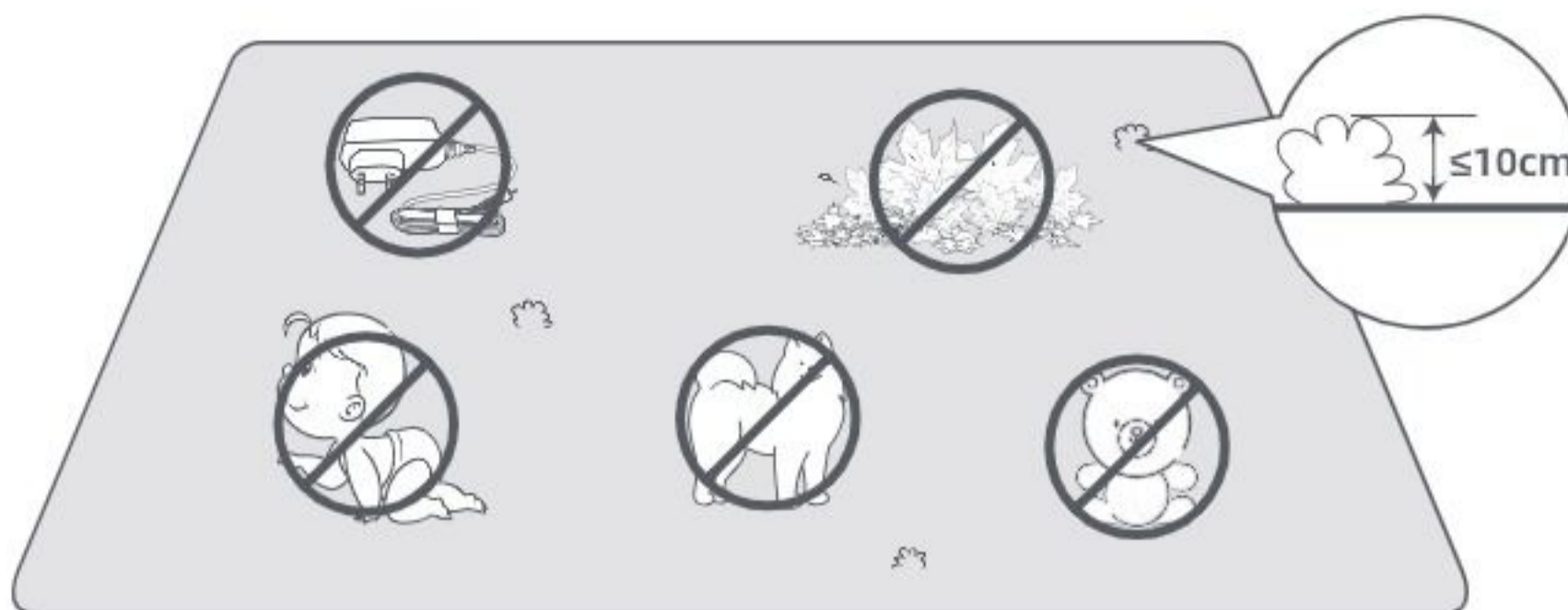


6 Operation

6.1 Start Mowing for the First Time

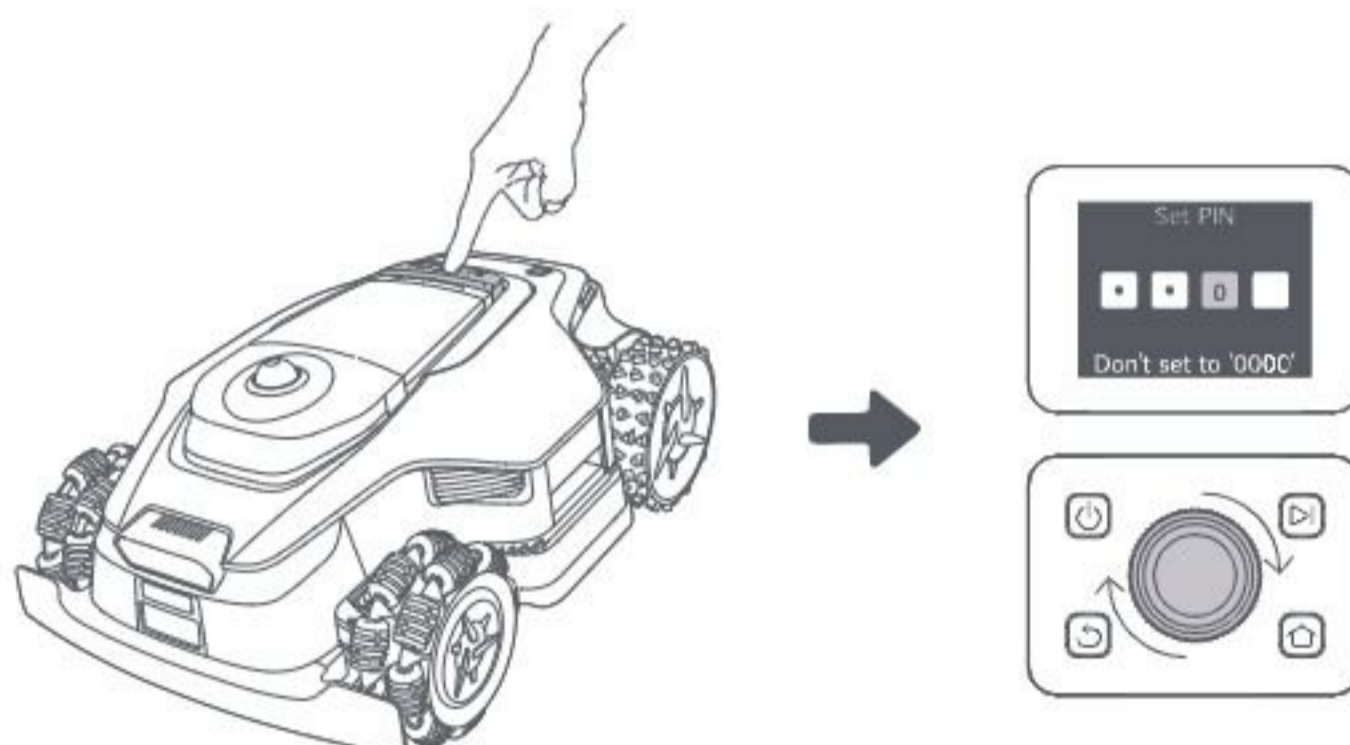
Tips before mowing:

- Use a push mower to mow the grass to a height of no more than 10 cm.
- Clear the obstacles including debris, leaf piles, toys, wires and stones from the lawn. Make sure no children or pets are on the lawn when the robot is mowing.
- Fill in the holes in the lawn.
- Set your mowing preferences in the app in advance (such as mowing efficiency, mowing height and mowing direction).
- Map Your Garden.



a) Start via the control panel

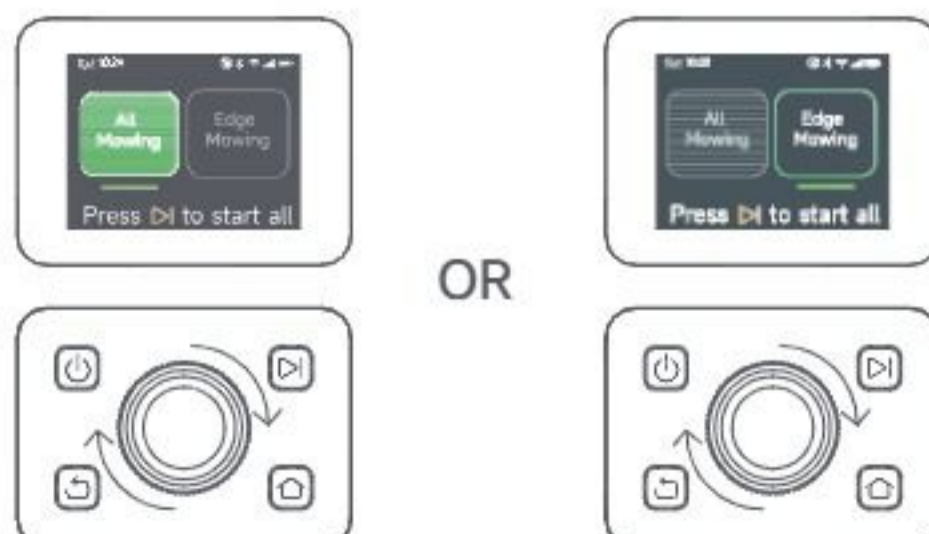
1. Press **Stop** button, lift the top cover and enter the PIN code.



2. Select "Modes" on the display and press the knob.



3. Turn the knob to select the mowing mode.



4. Press the **▶** button, then **close the top cover** in 5 seconds. The robot will leave the charging station and start all-area mowing. You can also tap **Start** in the app to start mowing.



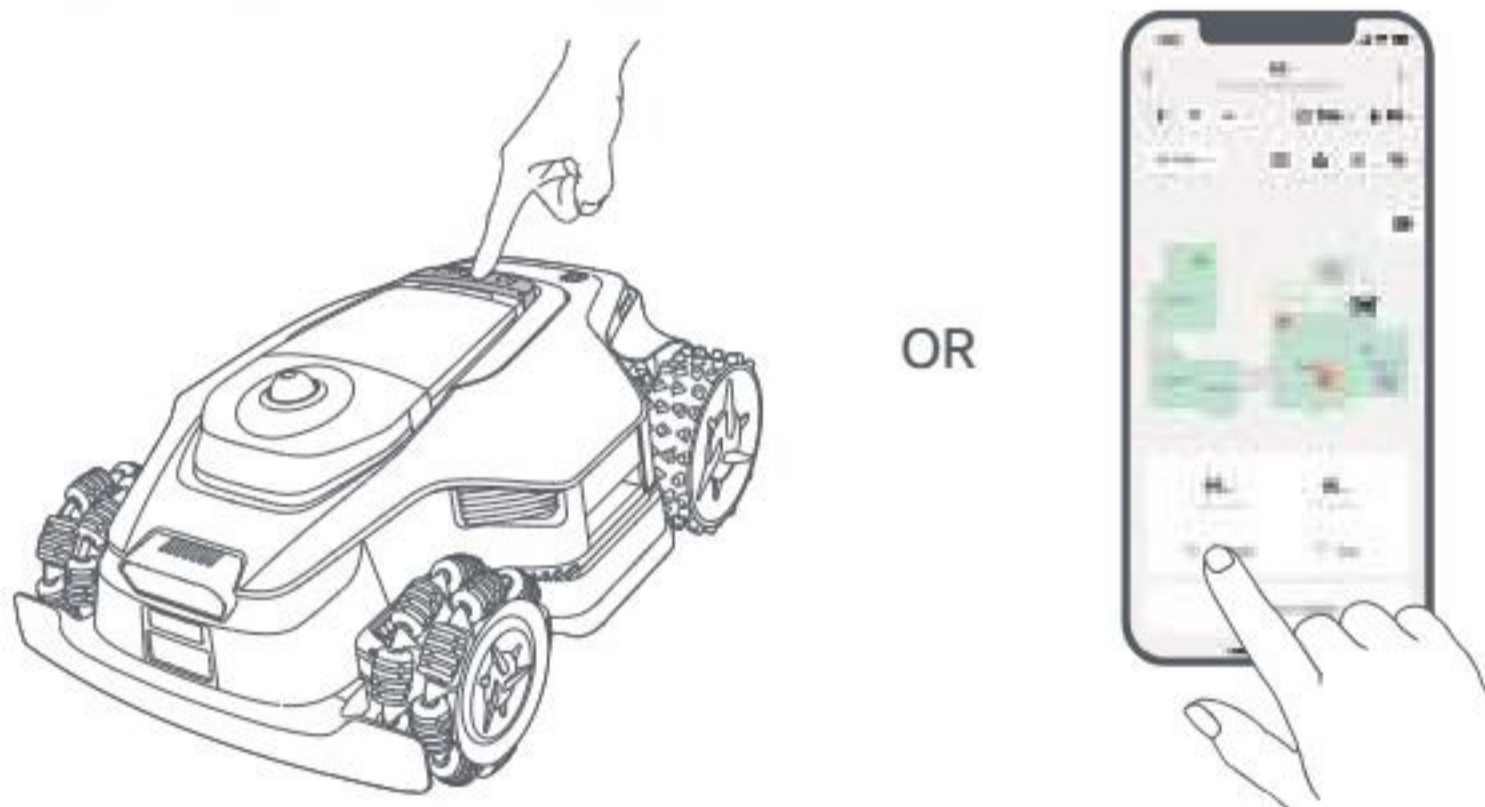
b) Start via the app

1. Open the app.
2. Select a mowing mode and tap **Start** to start mowing.

6.2 Pause

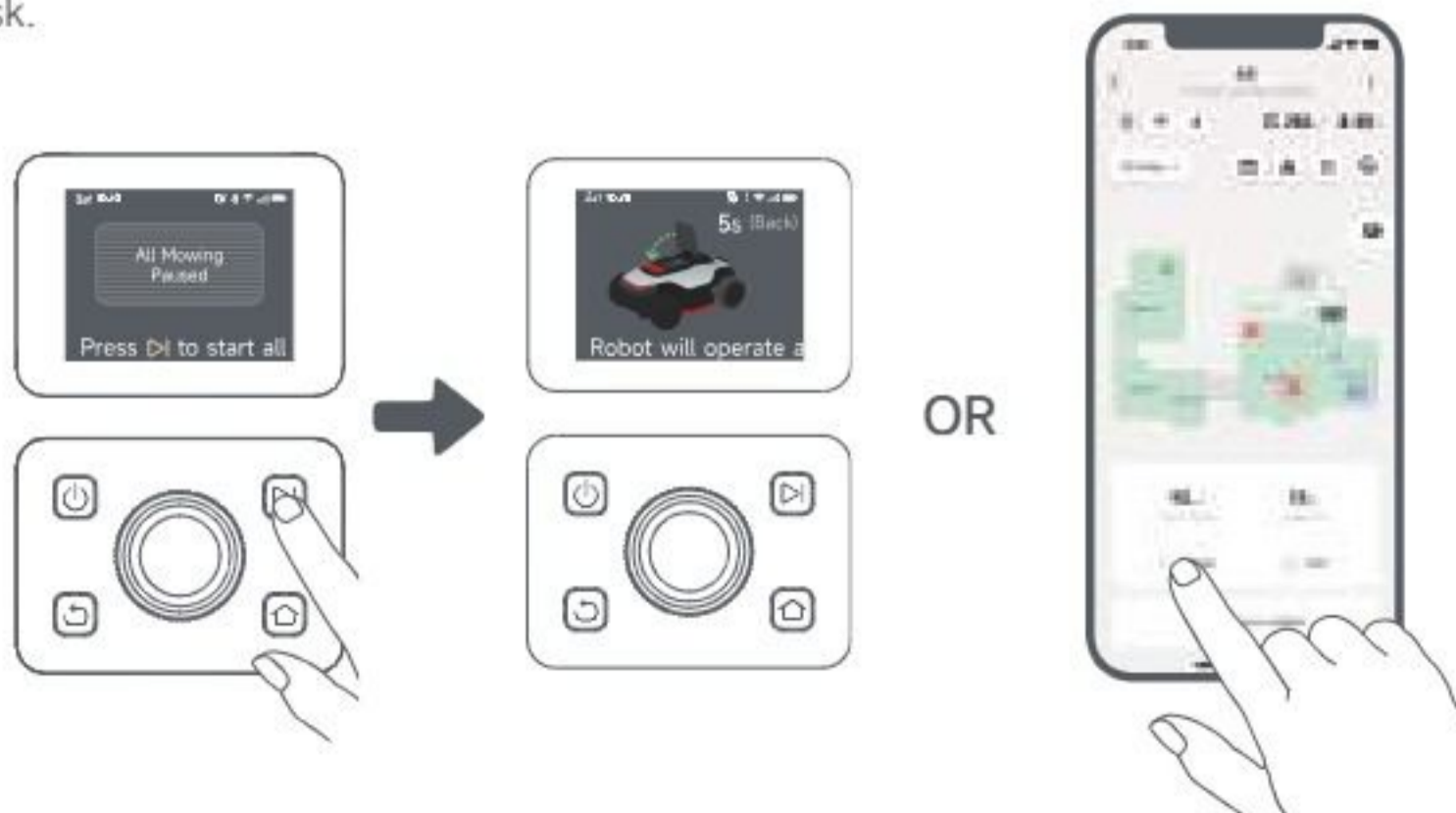
To pause the current mowing task, you can press the **Stop** button on the robot or tap **Pause** in the app.

Note: The robot cannot be started directly through the app after the **Stop** button is pressed. To resume operation, enter your PIN code on the control panel.




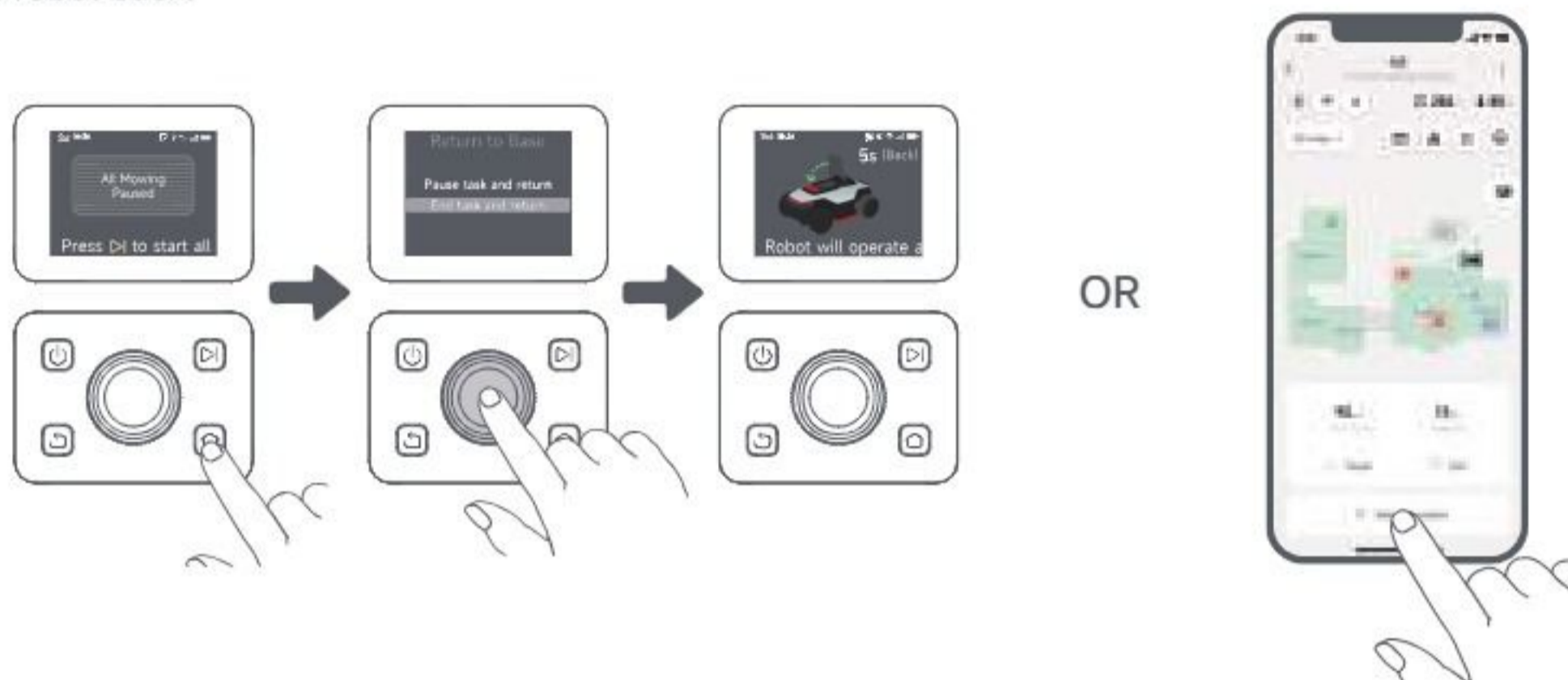
6.3 Resume

To resume the task when the robot is paused, press the **▶** button, then **close the top cover** in 5 seconds. The robot will resume the previous mowing task. Alternatively, you can tap **Continue** in the app to resume the mowing task.



6.4 Return to the Charging Station

To send the robot back to its charging station, press the  on the control panel. Confirm to pause or cancel the current task, then **close the top cover** within 5 seconds. The robot will automatically return to the charging station to recharge. Alternatively, you can select **Start Returning to Station** in the app to send the robot back.



7 Dreamehome App

Where You Can Explore More


Dreamehome app is more than a remote control. There are many things you can do through the app: completing various settings remotely, experiencing different mowing modes, editing the map freely and adjusting mowing schedules.

7.1 Mowing Modes

The robot offers various mowing modes. You can switch between modes through the app including All-Area Mowing, Zone Mowing, Edge Mowing, Spot Mowing and Manual Mode.




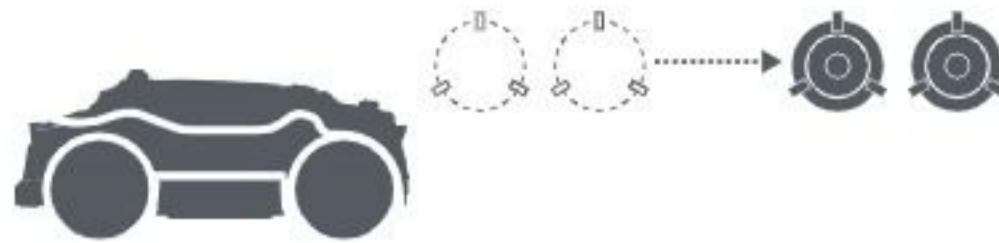
7.2 Mowing Shapes

Customize your lawn by adding shapes through  > **Map Editing** > **Shapes** in the app. Defined shapes will be excluded from mowing in all mowing modes. You can modify their position, size, or remove them in **Shapes**.




7.3 EdgeMaster™ 2.0 cutting system

With EdgeMaster™ 2.0 Technology, the discs can extend outward while mowing the edge of your lawn, ensuring the disc-to-edge distance less than 3 cm for thorough and precise edge trimming. This feature maximizes cutting coverage and enhances the beauty of your lawn, go to  > **Edge Mowing Settings** > **EdgeMaster™** in the app.



7.4 Schedule

After the first map is completed, the robot automatically creates two weekly mowing schedules according to the lawn size, which are "**Spr/Sum Schedule**" and "**Aut/Win Schedule**". You can tap  in the app to do detailed schedule settings. With the schedule function, you can completely leave the daily mowing work to the robot. You only need to maintain the robot regularly.

Note: If you worry that the robot may disturb you or your neighbours when it works autonomously during certain hours, you can go to **Settings > Do Not Disturb** and set **Do Not Disturb** time in the app.



7.5 Child Lock

If you worry that children may operate the robot, navigate to **Settings** and enable the **Child Lock** function in the app. With this function enabled, the robot will be locked if no operations are performed for 5 minutes when the cover is open.



7.6 Rain Protection

If you worry that adverse weather conditions may affect the mowing work, you can enable **Rain Protection** function in **Settings** on the control panel or in the app. When this function is enabled, the robot automatically pauses mowing and returns to the charging station when it rains. You can set the rain protection time in the app.

Note: Mowing wet grass can damage your lawn. It is advisable to extend the protection duration to allow the grass to get dry before mowing again.



7.7 Frost Protection

If the temperature drops below **6° C**, mowing can permanently damage the lawn. The battery will not charge as a safety measure. To prevent this, you can enable the **Frost Protection** feature in the **Settings**, either through the control panel or the app. This will automatically pause mowing and send the robot back to the charging station when the temperature falls below **6° C**. The robot will resume mowing once the temperature rises above **11° C**.



7.8 Security Features

The robot comes with multiple anti-theft features, powered by the built-in GPS for added security. Additionally, the front camera can detect human presence, making the robot an effective garden guardian.



7.8.1 Lift Alarm

With this function enabled, an alarm will go off immediately when the robot is lifted, and the robot will be locked. To resume operation, enter the PIN code on the robot first.



7.8.2 Off-Map Alarm

With this function enabled, the robot will be locked and alarm will go off immediately if it is away from the map.



7.8.3 Real-Time Location

With this function enabled, you can view the current location of the robot in Google Maps.




7.8.4 Human Presence Detection Alert

When enabled, the robot will notify you upon detecting the human presence.




7.8.5 Real-Time Video

Tap  to view a live video feed from the robot's front camera, allowing you to monitor your garden anytime, anywhere.



7.8.6 Patrol

While the robot is on standby, you can send it to patrol specific boundaries or spots in your garden via the app. To access this feature, go to  > Patrol.



7.9 Custom Charging Period

To customize the robot's charging period to specific hours, you can enable the **Custom Charging Period** function through **Settings > Charging** in the app. When activated, the robot will charge itself to 20% when the battery level is low, provided there are no mowing tasks. It will complete a full charge only during the designated charging period. You can also customize the **Battery Level for Auto-Recharge** and **Battery Level for Resuming Tasks** to set the battery levels at which the robot will automatically return to the charging station or resume unfinished mowing tasks.



Note: Dreame development team will continuously conduct **OTA (Over-the-Air)** updates and maintenance on the firmware and app. Please check for update notifications or enable the **Auto-update** function to keep the firmware and app up-to-date and enjoy more features.

8 Maintenance

For better performance and lifespan of the robot, please clean it regularly and replace worn parts according to the frequency below:

Part	Replacement Frequency
Blades	Every 6-8 weeks or sooner

Note: You can check the remaining time for blades by navigating to **Settings > Consumables & Maintenance** in the app. After replacing any consumables as prompted, go to the details page for the consumable and tap **I've Replaced It** to reset the timer.

Note: If you have designated areas in your garden for routine robot cleaning and servicing, you can set Maintenance Points on the map by navigating to **Settings > Head to Maintenance Point > Edit Point**. Once the maintenance points are set, you can simply tap Go and direct the robot to the designated locations for easy servicing.

8.1 Cleaning

Regularly clean your robot to prevent grass clippings and dirt from accumulating and clogging the blade disc and drive wheels, which can affect its mowing, docking, and movement performance. We recommend using a cleaning kit, available at local stores or online.

⚠ Warning: Before cleaning, please turn off the robot and unplug the charging station.

Caution: Please make sure LiDAR protective cover is on the LiDAR before turning the robot upside down to avoid damages to the LiDAR.

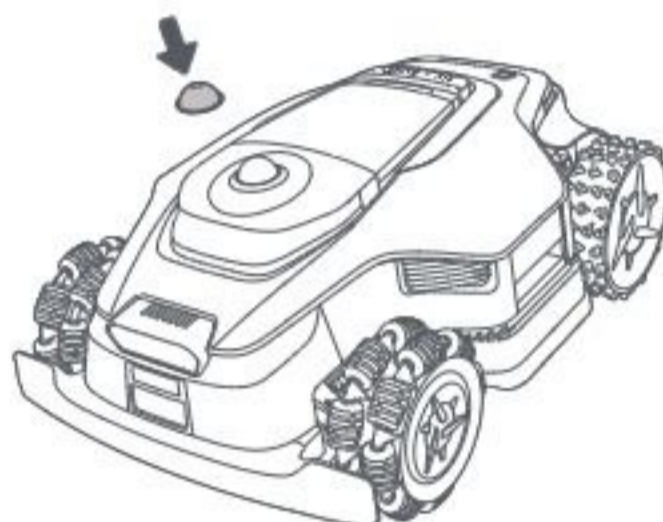
DREAME

- The Housing, Chassis and Blade Disc:

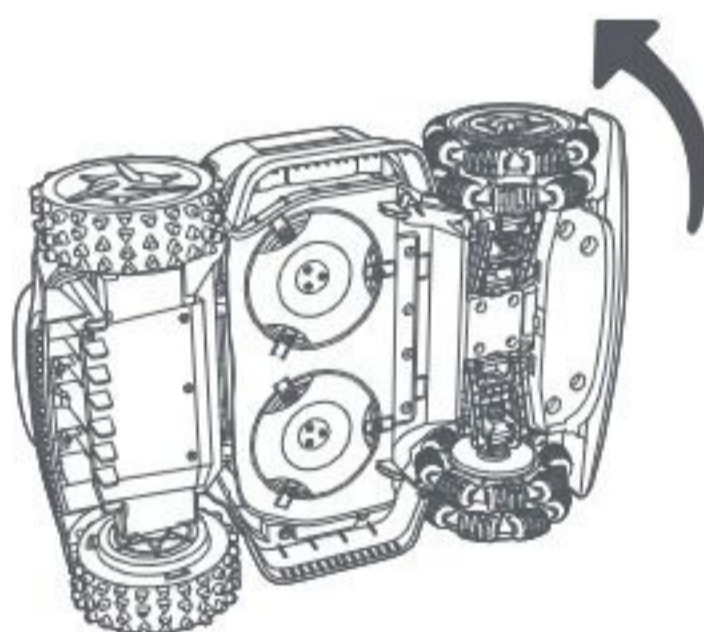
1. Turn the robot off.



2. Cover the LiDAR with its protective cover.

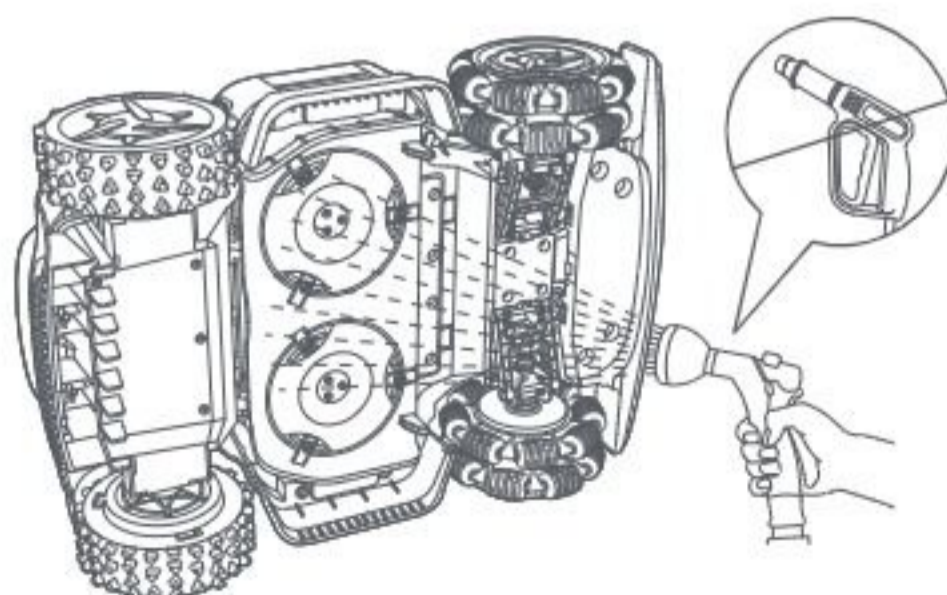


3. Place the robot sideways.



4. Clean the housing, blade disc and chassis with a hose.

⚠ Warning: Do not touch the blades when cleaning the chassis. Please wear gloves when cleaning.
Caution: Please do not use a high-pressure washer for cleaning. Do not use detergents for cleaning.

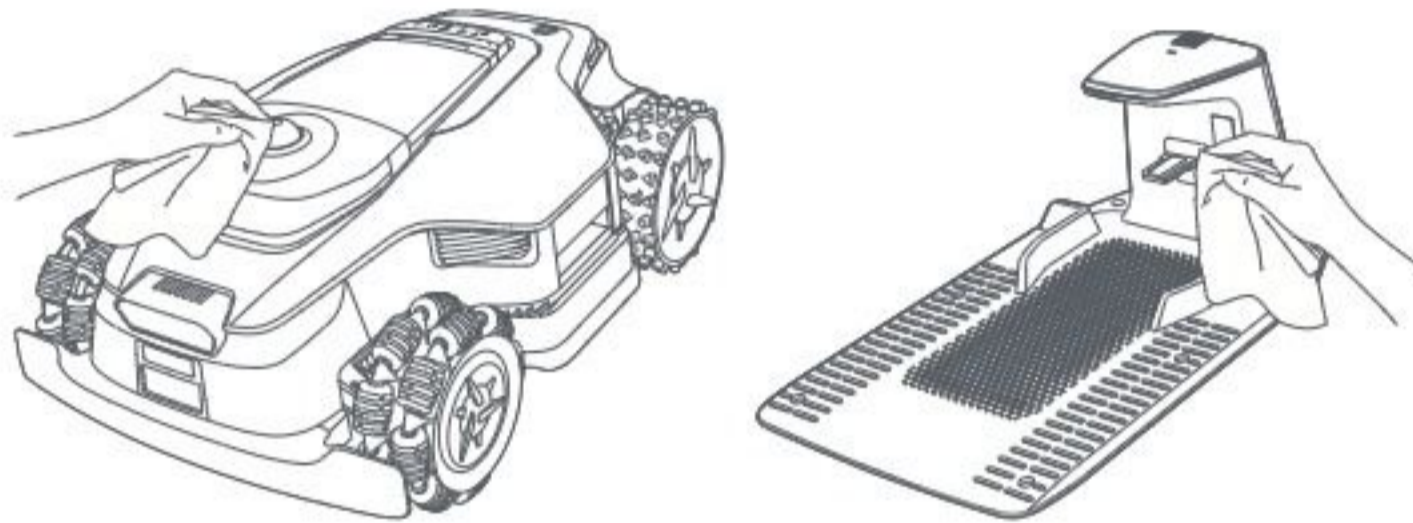


5. Use a lint-free cloth to carefully clean the LiDAR sensor.



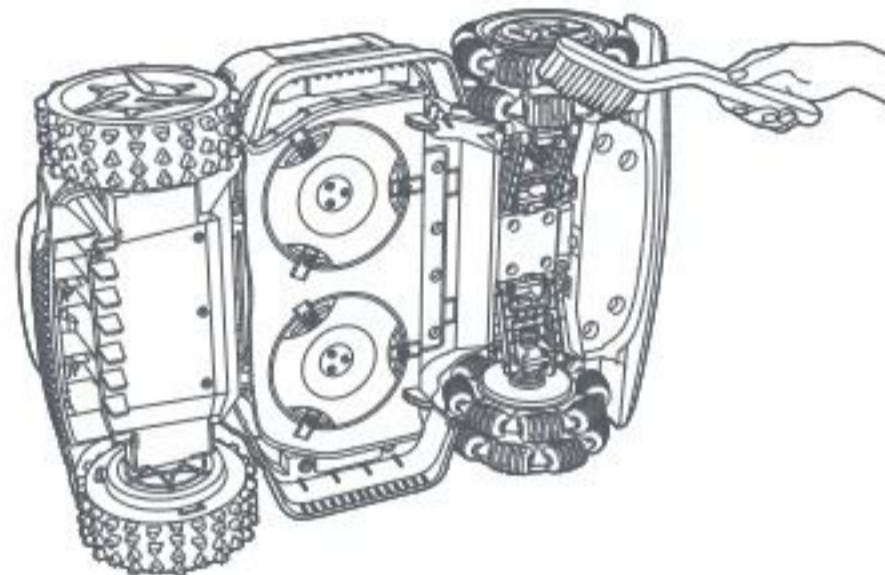
- **Charging Contacts and Front Camera:**

Use a clean cloth to wipe the charging contacts on the robot and the charging station, and also clean the front camera. Keep the charging contacts and the front camera dry after cleaning.



- **Drive Wheels:**

Use a brush to remove mud from the wheels to ensure good grip.



8.2 Replacing the Components

- **Replacing the Blades**

To keep the blades sharp, please replace the blades regularly. It is recommended to replace the blades every **6-8 weeks** or sooner. Please only use the Dreame genuine blades (MBKA10/MQBA10).

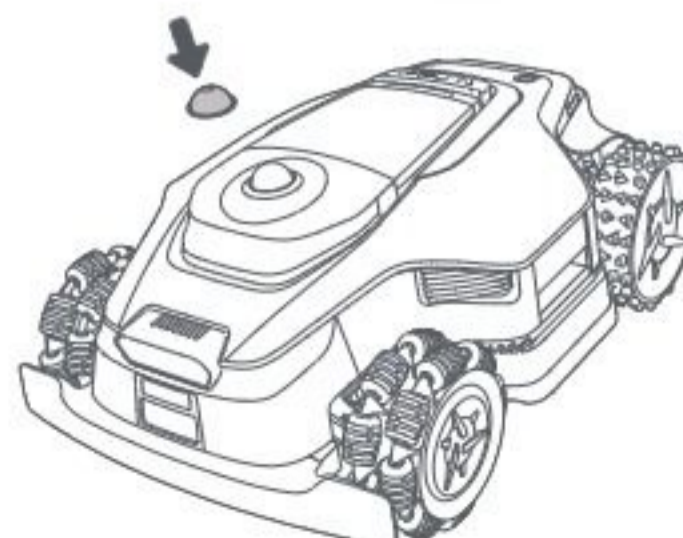
⚠ Warning: Please turn off the robot. Wear protective gloves before replacing the blades.

Note: Please replace all three blades at the same time to ensure a balanced cutting system.

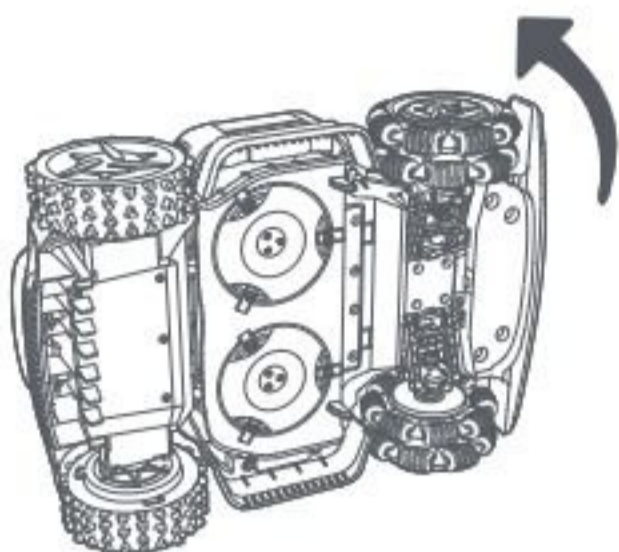
1. Turn off the robot.



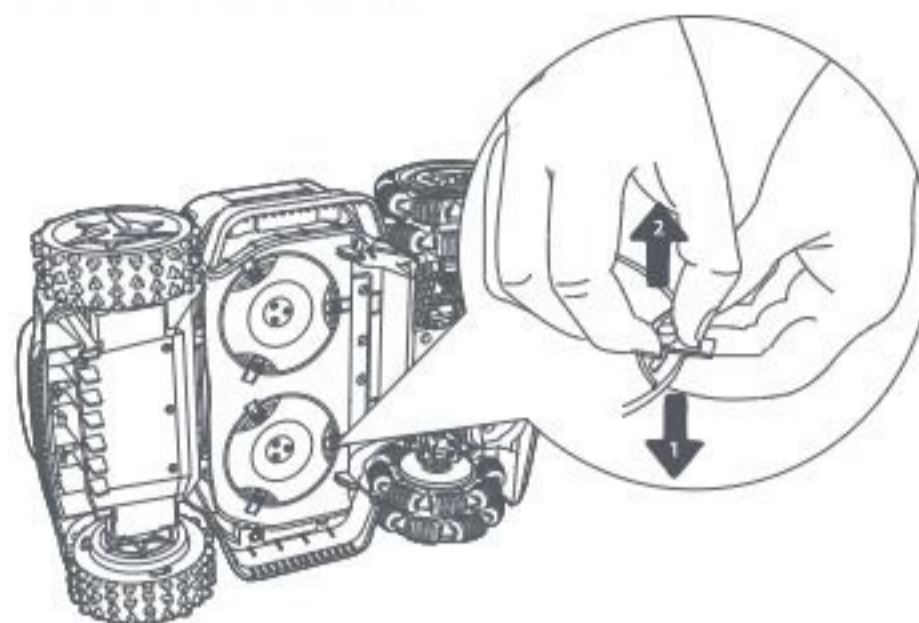
2. Cover the LiDAR with its protective cover.



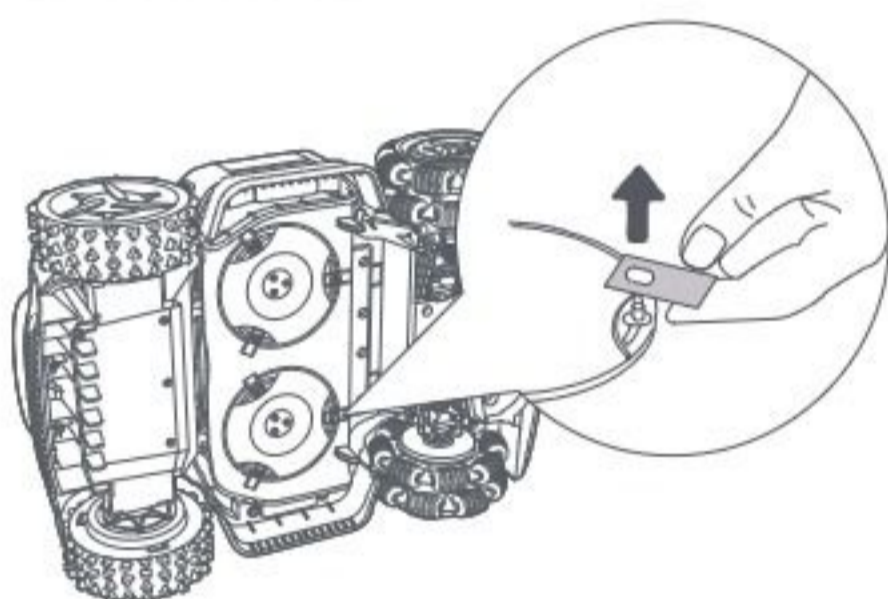
3. Put the robot on a soft surface and place it sideways.



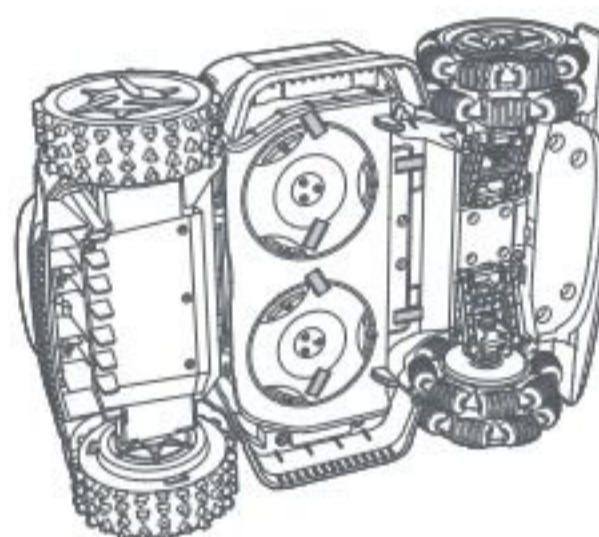
4. Remove the holder by pressing the button under the blade disc.



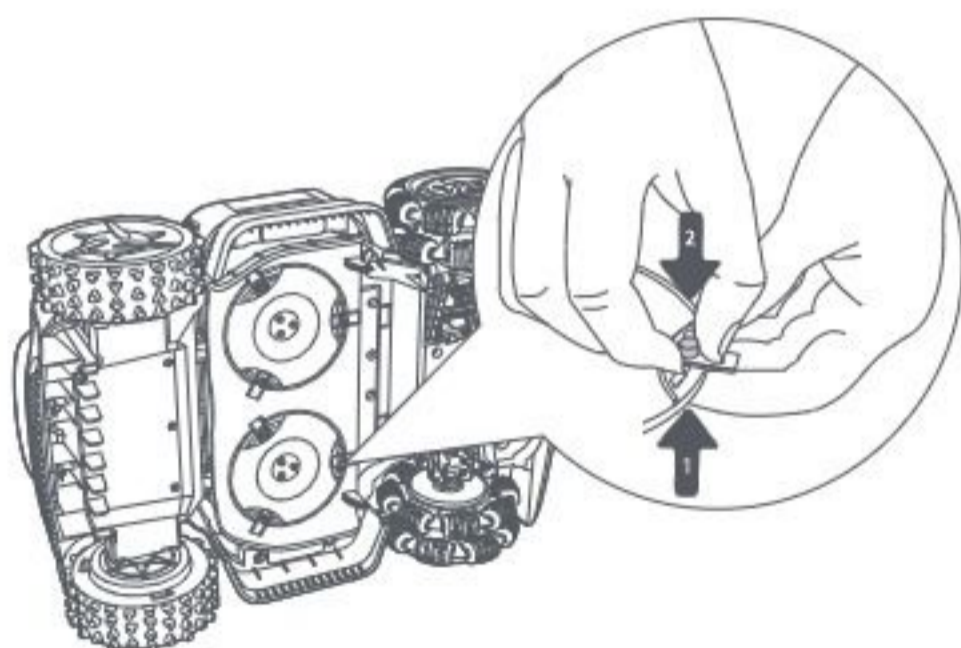
5. Remove the blade by aligning the hole of the blade with the shaft.



6. Remove 3 blades and holders.



7. Press the button under the blade disc and align the hole of the holder with the shaft to fasten the holders and blades.



8. Make sure the blades can rotate freely.





9 Battery

For long-term storage, charge the robot every **6 months** to protect the battery. Battery damage caused by over-discharge is not covered by the limited warranty. Do not charge the battery at an ambient temperature **above 45°C** or **below 6°C**. The long-term storage temperature for the battery should be **between -10 and 35°C**. To minimize the damage, the recommended storage temperature for the battery is **between 0 and 25°C**.

Note: The lifespan of the robot's battery depends on frequency of usage and hours of operation. If the battery is damaged or cannot be charged, do not dispose of the obsolete or faulty battery arbitrarily. Please obey local recycling regulations.

Low-Power Charging Mode:

When the low-power charging mode is activated, functions unrelated to charging will be disabled (the display and network will be turned off).

- To enable low-power charging mode, press and hold the  button and the  button simultaneously, and press the  button 5 times quickly at the same time. You will hear a voice prompt: Low-power charging mode is on.
- To disable low-power charging mode, restart the robot or press the  button 5 times quickly.

10 Winter Storage

- **The Robot**

1. Charge the battery fully before turning the robot off.
2. Clean the robot thoroughly before putting it into storage in winter.
3. Put on the LiDAR protective cover.
4. Store the robot inside in a dry place, at a temperature **above 0°C**.

- **Charging Station**

Unplug the charging station and store it in a dry and cool place, away from direct sunlight.

Note: After winter storage, please reinstall the charging station and place the robot in it to charge. If you reinstall the charging station in a different location, the robot will automatically update the station's location as soon as it charges and leaves the station. If you encounter positioning errors because of major changes in your garden, it's recommended to remap the area.

11 Transport

For long distance transport, ensure that the robot is turned off. It is recommended to use the original packaging. Please put on the LiDAR protective cover.

 **Warning:** Please turn the robot off before transporting it.

 **Warning:** Lift the robot by the rear handle, keeping the blade disc away from your body.

12 Troubleshooting

Issue	Cause	Solution
The robot is not connected to the app.	<ol style="list-style-type: none"> 1. The robot is not within Wi-Fi signal coverage or Bluetooth range. 2. The robot is turned off or is restarting. 	<ol style="list-style-type: none"> 1. Check if the robot has completed the process of turning on. 2. Check if the router is working properly. 3. Move closer to the robot to establish a Bluetooth connection.
Robot lifted.	The wheel is not on the ground.	<ol style="list-style-type: none"> 1. Put the robot back on flat ground. 2. Enter the PIN code on the robot and confirm. 3. The robot can't cross objects higher than 5.5 cm. Please keep the ground even where it is working.
Robot tilted.	The robot tilts more than 37°.	<ol style="list-style-type: none"> 1. Put the robot back on flat ground. 2. Enter the PIN code on the robot and confirm. 3. The robot cannot climb slopes greater than 80%(38°).
Robot trapped.	The robot is trapped and fails to get out.	<ol style="list-style-type: none"> 1. Remove the surrounding obstacles and then retry. 2. Manually move the robot to a flat and open place inside the map and try starting the task again. If you continue to encounter this problem, please retry after the robot is in the charging station. 3. Check if there are holes in the ground. Fill in the holes before mowing to prevent the robot from being trapped. 4. Check if the surrounding grass is taller than 10 cm. You can adjust the obstacle avoidance height or use a push mower to mow the lawn in advance to prevent the robot from being trapped. 5. If the robot is often trapped in this location, you can set it as a no-go zone.
Left and right front wheels, left and right rear wheels malfunction.	The wheel cannot rotate or the wheel motor has a problem.	<ol style="list-style-type: none"> 1. Clean the rear wheels and then retry. 2. If you continue to encounter this error, try restarting the robot. 3. If the problem persists, please contact the after-sales service.
Blade disc can't rotate.	The blade disc cannot rotate normally or the cutting motor has a problem.	<ol style="list-style-type: none"> 1. Clean the blade disc and then retry. 2. Check if the surrounding grass is taller than 10 cm. You can use a push mower to mow the lawn in advance to prevent the blade disc from being blocked by tall grass. 3. Check if there is water under the blade disc. If there is any, move the robot to a dry place and then retry. 4. If you continue to encounter this error, try restarting the robot. 5. If the problem persists, please contact the after-sales service.
The blade disc fails to move up or down.	The blade disc fails to move up or down.	<ol style="list-style-type: none"> 1. Clean the blade disc and then retry. 2. If you continue to encounter this error, try restarting the robot. 3. If the problem persists, please contact the after-sales service.

Issue	Cause	Solution
The blade disc cannot move to the side.	The blade disc cannot move to the side.	<ol style="list-style-type: none"> 1. Clean the cutting system and remove any debris or foreign objects. 2. If you continue to encounter this error, you can disable the EdgeMaster™ function first. 3. If the problem persists, please contact the after-sales service.
Bumper error.	The front bumper sensor is constantly triggered.	<ol style="list-style-type: none"> 1. Check if the robot is trapped somewhere. 2. Gently tap the bumper and make sure it bounces back. 3. If you continue to encounter this error, try restarting the robot. 4. If the problem persists, please contact the after-sales service.
Charging error.	The robot docks in the charging station, but the charging current or voltage has a problem.	<ol style="list-style-type: none"> 1. Check if the charging station is correctly connected to power. 2. Check if the charging contacts on the robot and the charging station are clean. 3. After checking is finished, try docking the robot in the charging station again. 4. If the problem persists, please contact the after-sales service.
Battery temperature too high.	Battery temperature is $\geq 60^{\circ}\text{C}$.	<ol style="list-style-type: none"> 1. Use the robot where ambient temperature is below 40°C. You can wait until the battery temperature decreases automatically. 2. You can turn off the robot and restart it after a while. 3. If the problem persists, please contact the after-sales service.
Battery temperature is high.	Battery temperature is $\geq 45^{\circ}\text{C}$.	<ol style="list-style-type: none"> 1. Charging may fail when battery temperature is above 45°C. 2. Use the robot where ambient temperature is below 40°C.
Battery temperature is low.	Battery temperature is $\leq 6^{\circ}\text{C}$.	<ol style="list-style-type: none"> 1. Charging may fail when battery temperature is below 6°C. 2. Use the robot where ambient temperature is above 6°C.
LiDAR is blocked.	LiDAR is blocked (for example the LiDAR protective cover is not removed).	<ol style="list-style-type: none"> 1. Remove the LiDAR protective cover and then retry. 2. If LiDAR on the top of the robot is very dirty, clean it with a lint-free cloth and then retry.
LiDAR malfunction.	LiDAR is very dirty or there is a sensor error.	<ol style="list-style-type: none"> 1. Check if the LiDAR is dirty. Clean it if necessary and then try again. 2. If you continue to encounter this error, try restarting the robot. 3. If the problem persists, please contact the after-sales service.
LiDAR is dirty.	LiDAR is dirty.	Wipe the LiDAR sensor on top of the robot with a clean cloth. Keep the LiDAR dry after cleaning.

Issue	Cause	Solution
LiDAR temperature is high.	LiDAR temperature is $\geq 80^{\circ}\text{C}$.	<ol style="list-style-type: none"> 1. The robot will automatically try to return to the charging station to cool down. 2. Ensure the robot operates at an ambient temperature below 40°C. 3. Place the robot in a shaded, cool, and well ventilated area. The alarm will stop when the temperature drops to a normal range. 4. The robot will automatically resume operation once the alarm stops. 5. If the problem persists, please contact after-sales service.
LiDAR temperature is too high.	LiDAR temperature is $\geq 90^{\circ}\text{C}$.	<ol style="list-style-type: none"> 1. The LiDAR is turned off due to high temperatures. 2. Ensure the robot operates at an ambient temperature below 40°C. 3. Place the robot in a shaded, cool, and well ventilated area. The alarm will stop when the temperature drops to a normal range. 4. If the problem persists, please contact after-sales service.
Robot is lost.	Positioning is lost.	<ol style="list-style-type: none"> 1. Check if the LiDAR on the top of the robot is dirty. Dirt will affect the positioning. 2. Manually move the robot to an open place inside the map and try starting the task again. 3. If the positioning is not recovered, remote control the robot back to the charging station via the app, and then start the mowing task.
Sensor error.	Sensor error.	<ol style="list-style-type: none"> 1. Restart the robot and retry. 2. If the problem persists, please contact the after-sales service.
The robot is in the no-go zone.	The robot is in the no-go zone.	<ol style="list-style-type: none"> 1. Manually move the robot out of the no-go zone and then retry. 2. Remotely control the robot through the app to move it out of the no-go zone, and then retry.
The robot is outside the map.	The robot is outside the map.	<ol style="list-style-type: none"> 1. Manually move the robot inside the map, and then retry. 2. Remote control the robot back inside the map via the app, and then retry.
Emergency stop is activated.	The Stop button on the robot is pressed.	Enter the PIN code on the robot and confirm.
Low battery. The robot will shut down soon.	Battery level is $\leq 10\%$.	Dock the robot in the charging station to charge.
The robot is away from the map. Risk of being stolen.	The robot is away from the map.	<ol style="list-style-type: none"> 1. Enter the PIN code on the robot and confirm. 2. You can disable the Off-Map Alarm in Settings in the app.

Issue	Cause	Solution
Failed to return to the charging station.	The robot cannot find the charging station when returning to the charging station.	<ol style="list-style-type: none"> 1. Check if there are obstacles blocking the robot. Remove the obstacles and retry. 2. Remote control the robot back to the charging station via the app.
Failed to dock in the charging station.	The robot finds the charging station but fails to dock.	<ol style="list-style-type: none"> 1. Check if the reflective films on the station are dirty or blocked. 2. Check if there are obstacles in front of the station. 3. Check if the station is moved. 4. Check if the baseplate is covered with thick mud. 5. Check if the station is on a slope. 6. Check if the station has power. 7. Help the robot dock in the charging station by using the remote control or manually.
Positioning failed.	Positioning fails when the robot tries to start a mowing task.	<ol style="list-style-type: none"> 1. The LiDAR may be obstructed. Manually move the robot to a flat and open place inside the map and try starting the task again. 2. If you continue to encounter this error, please retry after the robot is docked in the charging station.
Insufficient space for turning in front of the station.	Insufficient space for turning in front of the station.	<ol style="list-style-type: none"> 1. If the station is placed at the edge of the map or within it, ensure there is at least 1 m of free space between the front area of the station's baseplate and the boundary of the map; otherwise, the robot may not be able to make turns. 2. Relocate the station, or change the map in Map Editing.
Path obstructed.	Path obstructed.	<ol style="list-style-type: none"> 1. Check if a no-go zone is set in the path. 2. Check if there are obstacles blocking the robot. 3. If the robot still cannot pass, delete the path in Map Editing and set a new one.
The front camera is dirty.	The front camera is dirty.	Wipe the front camera with a clean cloth.
There is an issue with the front camera.	There is an issue with the front camera.	<ol style="list-style-type: none"> 1. Wipe the front camera with a clean cloth. 2. Try restarting the robot. 3. If the problem persists, please contact the after-sales service.
Front camera blocked.	Front camera blocked.	Wipe the front camera with a clean cloth.
Boundary detection error occurs during Auto-Mapping.	Boundary detection error occurs during Auto-Mapping.	<ol style="list-style-type: none"> 1. Ensure that the lighting conditions are suitable, neither too bright nor too dim. 2. Confirm that the weather is clear, avoiding fog or rain. 3. Ensure that the front camera is clean and unobstructed. 4. Ensure that the ground surface is even, as bumps may affect detection. 5. If boundary detection continues to fail, switch to remote control mode for mapping.
Abnormal vibrations.	Abnormal vibrations.	<ol style="list-style-type: none"> 1. Inspect the blade disc for integrity to determine if it is damaged. If damage is found, replace the disc. 2. If the disc is intact, contact after-sales support.

13 Specifications

		A3 3500
Basic information	Product name	Dreame Roboticmower A3 AWD Pro
	Brand	Dreame
	Model	MXXA9300
	Dimensions	740×532×325 mm
	Weight (battery included)	24.3 kg
Mowing	Recommended working capacity	3500 m ²
	Mowing efficiency (EGMF standard)	Standard: 2500 m ² /24hrs Efficient: 3500 m ² /24hrs Rush: 5000 m ² /24hrs
	Mowing height	3-10 cm (in 5 mm increments)
	Mowing width	40 cm
	Charging time ^[2]	85 min
Noise emissions	Sound power level LWA	65 dB(A)
	Sound power uncertainties KWA	3 dB(A)
	Sound pressure level LpA	54 dB(A)
	Sound pressure uncertainties KpA	3 dB(A)
Working condition	Operating temperature	0~50°C Recommended: 10~35°C
	Long-term storage temperature	-10~35°C Recommended: 0~25°C
	IP-classification	Robot: IPX6 Charging station: IPX4 Power supply: IP67
	Maximum slope for mowing area	80%
Connectivity	Bluetooth frequency range	2.4GHz~2.4835GHz
	Max. RF Power	802.11b: 16±2dBm(@11Mbps) 802.11g: 14±2dBm(@54Mbps) 802.11n: 13±2dBm(@HT20,HT40) Bluetooth: 7.49dBm
	Wi-Fi	Wi-Fi 2.4 GHz (2400-2483.5M)
	Link service ^[3]	LTE-FDD: B1/3/7/8/20/28A LTE-TDD: B38/40/41
	GNSS	GPS/GLONASS/BDS/Galileo/QZSS

		A3 3500
Driving motor	Driving speed under remote control	0.45 m/s-0.8 m/s
	Driving speed when mowing	Standard: 0.35 m/s Efficient: 0.6 m/s Rush: 0.8 m/s
	Motor type	Hub motor
Cutting motor	Speed	2800/min
Battery (robot)	Battery model	MBPA30
	Battery type	Lithium battery
	Rated capacity	7500 mAh
	Rated voltage	Max 36V
Power supply	Charger model	MPAA30
	Input voltage	100~240 V AC
	Output voltage	42 V
	Output current	5 A
Charging station	Charging station model	MCA20
	Input voltage	42 V
	Output voltage	42 V
	Input current	5 A
	Output current	5 A

Standards	Band	Uplink (MHz)	Downlink (MHz)	Max RF Output Power	GNSS	Frequency band
LTE	1	1920 - 1980	2110 - 2170	23 ± 2	GPS/ GLONASS/ BDS/ Galileo/ QZSS	1559 - 1592 MHz
	3	1710 - 1785	1805 - 1880	23 ± 2		
	7	2500 - 2570	2620 - 2690	23 ± 2		
	8	880 - 915	925 - 960	23 ± 2		
	20	832 - 862	791 - 821	23 ± 2		
	28	703 - 748	758 - 803	23 ± 2		
	38	2570 - 2620	2570 - 2620	23 ± 2		
	40	2300 - 2400	2300 - 2400	23 ± 2		
GSM	3	1710 - 1785	1805 - 1880	30 ± 2		
	8	880 - 915	925 - 960	23 ± 2		
WCDMA	1	1920 - 1980	2110 - 2170	23 ± 2		
	8	880 - 915	925 - 960	23 ± 2		

[2] Charging time applies when the robot automatically returns to the charging station at low battery.

[3] Countries/Regions covered: Albania, Andorra, Austria, Belgium, Bosnia and Herzegovina, Bulgaria, Croatia, Cyprus, Czech Rep, Denmark, Estonia, Finland, France, Germany, Greece, Guernsey, Hungary, Iceland, Ireland, Italy, Kosovo, Latvia, Liechtenstein, Lithuania, Luxembourg, Macedonia, Malta, Moldova, Monaco, Montenegro, Netherlands, Norway, Poland, Portugal, Romania, Serbia, Slovakia, Slovenia, Spain, Sweden, Switzerland, UK, Ukraine.

Note: The specifications are subject to change as we continually improve our product. For the latest information, please visit our website at <https://global.dreametech.com>.

Originalanleitung

Inhaltsverzeichnis

1 Sicherheitshinweise	P44
2 Produkt-Einführung	P48
3 Installation	P50
4 Vorbereitung auf die erste Verwendung	P53
5 Karte des Gartens erstellen	P58
6 Bedienung	P64
7 Dreamehome App	P67
8 Wartung	P70
9 Akku	P74
10 Winteraufbewahrung	P74
11 Transport	P74
12 Fehlersuche	P75
13 Spezifikationen	P80

1 Sicherheitshinweise

1.1 Allgemeine Sicherheitshinweise

- Benutzen Sie das Gerät und sein Zubehör nicht bei schlechten Wetterbedingungen, insbesondere nicht bei Gefahr eines Blitzeinschlags.
- Lesen Sie die Bedienungsanleitung sorgfältig durch und machen Sie sich mit ihrem Inhalt vertraut, bevor Sie das Gerät verwenden.
- Kombinieren Sie das Gerät nur mit von Dreame empfohlenen Produkten. Jede hiervon abweichende Verwendung ist unsachgemäß.
- Erlauben Sie Kindern nicht, sich in der Nähe des Geräts aufzuhalten oder mit ihm zu spielen, wenn dieses in Betrieb ist.
- Verwenden Sie das Gerät nicht in Bereichen, in denen dort befindliche Personen nichts von seiner Anwesenheit wissen.
- Laufen Sie nicht, wenn Sie das Gerät manuell über die Dreamehome-App bedienen. Denken Sie daran, nur zu gehen, an Hängen besonders auf Ihre Schritte zu achten und das Gleichgewicht zu halten.
- Benutzen Sie das Gerät nicht, wenn sich Personen – insbesondere Kinder – oder Tiere im Arbeitsbereich aufhalten.
- Wenn Sie das Gerät in öffentlichen Bereichen betreiben, bringen Sie rund um den Arbeitsbereich Warnschilder mit folgendem Text an: „Achtung! Automatischer Rasenmäher! Abstand zum Gerät halten! Kinder beaufsichtigen!“
- Tragen Sie bei Benutzung des Geräts festes Schuhwerk und eine lange Hose.
- Um Schäden am Gerät und Unfälle mit Fahrzeugen oder Personen zu vermeiden, sollten öffentliche Wege weder im Arbeitsbereich liegen noch auf dem Hin- oder Rückweg vom Gerät befahren werden.
- Gefährliche Teile, wie z. B. die Messerscheibe, dürfen erst berührt werden, wenn sie vollständig zum Stillstand gekommen sind.
- Nehmen Sie bei einer Verletzung oder einem Unfall medizinische Hilfe in Anspruch.
- Schalten Sie das Gerät **AUS**, bevor Sie es untersuchen, Blockaden beseitigen oder Wartungsarbeiten durchführen. Wenn das Gerät ungewöhnlich stark vibriert, überprüfen Sie es auf Schäden, bevor Sie es wieder in Betrieb nehmen. Verwenden Sie das Gerät nicht, wenn Teile defekt sind.
- Lassen Sie das Hauptkabel nicht über Stellen verlaufen, an denen das Gerät mäht. Befolgen Sie die mitgelieferten Anweisungen zur Kabelinstallation.
- Laden Sie das Gerät nur an der mitgelieferten Ladestation auf. Bei unsachgemäßer Verwendung sind Stromschläge oder Überhitzung möglich und kann ätzende Flüssigkeit aus dem Akku austreten. Wenn Elektrolyt ausläuft und die ätzende Flüssigkeit mit den Augen in Kontakt kommt, mit Wasser/neutralisierender Lösung spülen und ärztliche Hilfe in Anspruch nehmen.
- Verwenden Sie beim Anschluss des Hauptkabels an die Steckdose eine Fehlerstrom-Schutzeinrichtung (RCD) mit einem maximalen Auslösestrom von 30 mA.
- Verwenden Sie nur die von Dreame empfohlenen Originalakkus. Mit anderen als den Originalakkus kann die Sicherheit des Geräts nicht garantiert werden. Verwenden Sie keine nicht wiederaufladbaren Batterien.
- Achten Sie darauf, dass der Arbeitsbereich frei von Strom- und/oder Verlängerungskabeln ist – so vermeiden Sie Kabelschäden, die zu einem Kontakt mit spannungsführenden Teilen führen können.
- Die Abbildungen in diesem Dokument dienen nur als Referenz. Maßgeblich ist stets das konkrete Gerät.
- Erlauben Sie den folgenden Personengruppen keinesfalls, das Gerät zu benutzen: Kinder, Personen mit eingeschränkten körperlichen, sensorischen oder geistigen Fähigkeiten oder mangelnder Erfahrung und Kenntnissen sowie Personen, die mit dieser Anleitung nicht vertraut sind.
- Schließen Sie ein beschädigtes Kabel nicht an und berühren Sie es nicht, bevor es nicht von der Steckdose abgezogen wurde. Wenn das Kabel während des Betriebs beschädigt wird, ziehen Sie den Netzstecker aus der Steckdose. Ein abgenutztes oder beschädigtes Kabel erhöht die Gefahr eines elektrischen Schlags und sollte von einer Fachkraft ausgetauscht werden.

- Schieben Sie das Gerät nicht mit Gewalt oder hoher Geschwindigkeit, da es dadurch Schaden nehmen könnte.
- Um die Anforderungen an die Exposition gegenüber Funkstrahlung einzuhalten, sollten Personen 35 cm Abstand vom Gerät halten.
- **WARNUNG:** Laden Sie den Akku nur mit dem abnehmbaren Netzteil auf, das diesem Gerät beiliegt.

1.2 Sicherheitshinweise zur Installation

- Stellen Sie die Ladestation nicht in Bereichen auf, in denen Personen darüber stolpern könnten.
- Stellen Sie die Ladestation nicht in Bereichen auf, in denen sich stehendes Wasser bilden könnte.
- Installieren Sie die Ladestation einschließlich Zubehör nicht in einem Umkreis von 60 cm von brennbaren Materialien. Eine Fehlfunktion oder Überhitzung von Ladestation und Netzteil kann eine Brandgefahr darstellen.

1.3 Sicherheitshinweise zum Betrieb

- Halten Sie Hände und Füße von den rotierenden Messern fern. Achten Sie darauf, mit den Händen oder Füßen nicht unter das Gerät oder in seine Nähe zu gelangen, wenn dieses eingeschaltet ist.
- Heben Sie das Gerät nicht an und bewegen Sie es nicht, wenn es eingeschaltet ist.
- Aktivieren Sie den Parkmodus oder schalten Sie das Gerät **AUS**, wenn sich Personen (insbesondere Kinder) oder Tiere im Arbeitsbereich aufhalten.
- Stellen Sie sicher, dass sich keine Gegenstände wie Steine, Äste, Werkzeuge oder Spielzeug auf dem Rasen befinden. Anderenfalls können die Messer mit einem solchen Gegenstand in Berührung kommen und Schaden nehmen.
- Legen Sie keine Gegenstände auf dem Gerät oder der Ladestation ab.
- Verwenden Sie das Gerät nicht, wenn die Stopptaste nicht funktioniert.
- Vermeiden Sie, dass Menschen oder Tiere mit dem Gerät zusammenstoßen. Wenn ein Mensch oder ein Tier in die Nähe des Geräts kommt, halten Sie es sofort an.
- Schalten Sie das Gerät immer **AUS**, wenn Sie es nicht benutzen.
- Verwenden Sie das Gerät nicht gleichzeitig mit Versenkregnern. Stellen Sie mit einem Zeitplan sicher, dass Gerät und Versenkregner nicht gleichzeitig in Betrieb sind.
- Verlegen Sie eine Zuleitung nicht an Stellen, an denen Versenkregner installiert sind.
- Betreiben Sie das Gerät nicht, wenn sich im Arbeitsbereich stehendes Wasser ansammeln kann, z. B. bei starkem Regen oder Pfützenbildung.

1.4 Sicherheitshinweise zur Wartung

- Schalten Sie das Gerät **AUS**, bevor Sie Wartungsarbeiten durchführen.
- Stellen Sie das Gerät nach dem Abspülen richtig herum auf den Boden (nicht auf dem Kopf).
- Drehen Sie das Gerät nicht um, um das Gehäuse zu reinigen. Wenn Sie es zur Reinigung umgedreht haben, stellen Sie es anschließend wieder richtig herum auf. Diese Vorsichtsmaßnahme verhindert, dass Wasser in den Motor eindringt und den ordnungsgemäßen Betrieb beeinträchtigt.
- Ziehen Sie den Stecker von der Ladestation ab oder betätigen Sie die Sperrvorrichtung, bevor Sie diese reinigen oder warten.
- Reinigen Sie das Gerät nicht mit einem Hochdruckreiniger oder lösungsmittelhaltigen Reinigern.

1.5 Sicherheitshinweise zum Akku

Lithium-Ionen-Akkus können explodieren oder einen Brand verursachen, wenn sie zerlegt oder kurzgeschlossen bzw. Wasser, Feuer oder Hitze ausgesetzt werden. Diese sind stets mit Vorsicht handzuhaben – zerlegen und öffnen Sie den Akku nicht und vermeiden Sie jede Form einer elektrischen/mechanischen Manipulation. Bewahren Sie Akkus so auf, dass sie vor direkter Sonneneinstrahlung geschützt sind.

1. Verwenden Sie nur die Ladestation und das Netzteil des Herstellers. Wenn ein ungeeignetes Ladegerät oder Netzteil verwendet wird, kann es zu Stromschlägen und / oder Überhitzung kommen.

2. VERSUCHEN SIE NICHT, AKKUS ZU REPARIEREN ODER ÄNDERUNGEN AN DIESEN VORZUNEHMEN! Reparaturversuche können zu schweren Verletzungen durch Explosionen oder Stromschläge führen! Wenn ein Leck entsteht, werden ätzende und giftige Elektrolyte freigesetzt.





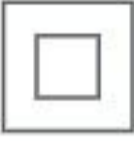
3. Dieses Gerät enthält Akkus, die nur von Fachleuten ausgewechselt werden dürfen.

1.6 Restrisiken

Tragen Sie beim Auswechseln der Messer Schutzhandschuhe, um Verletzungen zu vermeiden.

1.7 Symbole und Aufkleber

	<p>WARNUNG - Lesen Sie die Bedienungsanleitung, bevor Sie das Gerät in Betrieb nehmen.</p>
	<p>WARNUNG - Halten Sie während des Betriebs sicheren Abstand vom Gerät.</p>
	<p>WARNUNG - Betätigen Sie die Sperrvorrichtung, bevor Sie am Gerät arbeiten oder es anheben.</p>
	<p>WARNUNG - Fahren Sie nicht auf dem Gerät. Berühren Sie keinesfalls rotierende Messer.</p>
	<p>WARNUNG - Dieses Gerät darf nicht im normalen Hausmüll entsorgt werden. Stellen Sie sicher, dass das Gerät gemäß den vor Ort geltenden gesetzlichen Vorschriften recycelt wird.</p>

	Dieses Produkt entspricht den geltenden EU-Richtlinien.
	Klasse III
	Lesen Sie vor dem Aufladen die Anleitung.
	Gleichstrom
	Klasse II

VERWENDUNGSZWECK

Das Gartengerät ist für das Rasenmähen im privaten Bereich bestimmt. Es ist für häufiges Mähen konstruiert, was Ihren Rasen gesünder und schöner macht als je zuvor. Je nach Größe Ihres Rasens lassen sich Uhrzeit und Häufigkeit des Mähens beliebig programmieren. Graben, Kehren oder Schneeräumen sind mit dem Gerät nicht möglich.



TsingTing Intelligent Tech (Suzhou) Co., Ltd. erklärt hiermit, dass die Funkanlage Dreame MXXA9300 die Anforderungen der Richtlinie 2014/53/EU erfüllt. Der vollständige Wortlaut der EU-Konformitätserklärung ist unter folgender Internetadresse abrufbar: <https://global.dreametech.com/pages/declaration-of-conformity>.

Das Gerät entspricht den britischen PSTI-Vorschriften; der vollständige Text der Konformitätserklärung ist unter der folgenden Internetadresse abrufbar: <https://global.dreametech.com/pages/statement-of-compliance-for-uk-psti>.

Die ausführliche Bedienungsanleitung finden Sie in digitaler Form unter <https://global.dreametech.com/pages/user-manuals-and-faqs>.

Hinweis zur Netzwerksicherheit

Beachten Sie die folgenden Informationen, um den sicheren Betrieb dieses Geräts in einer Netzwerkkumgebung zu gewährleisten:

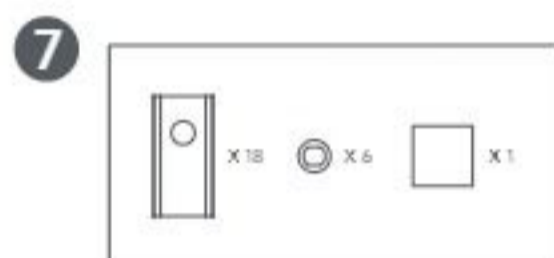
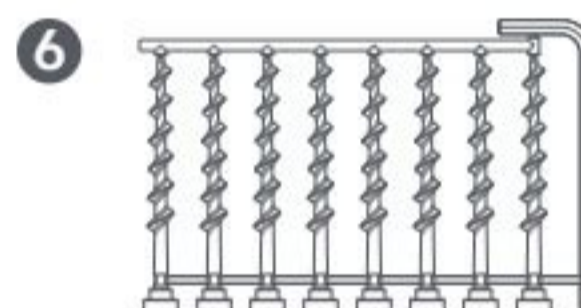
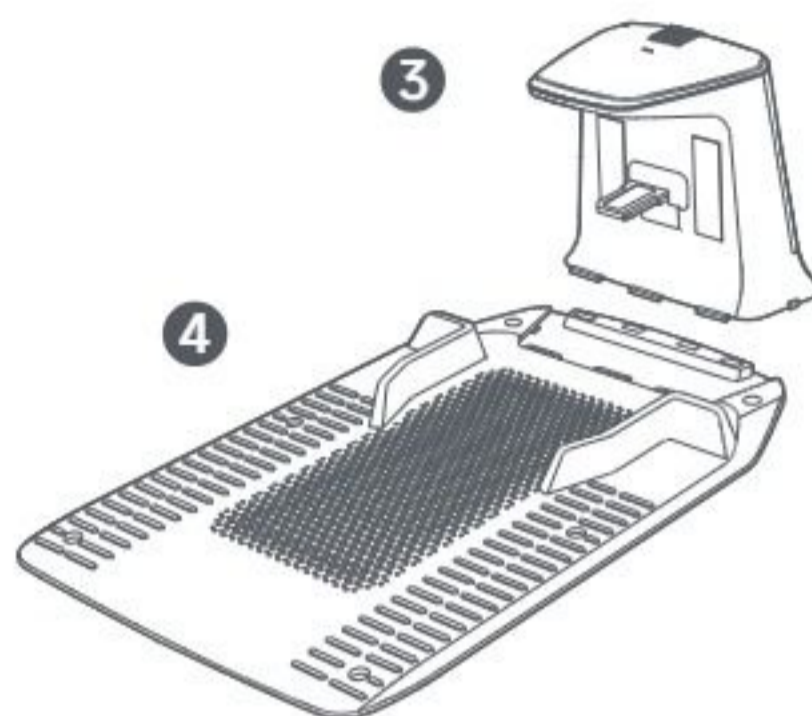
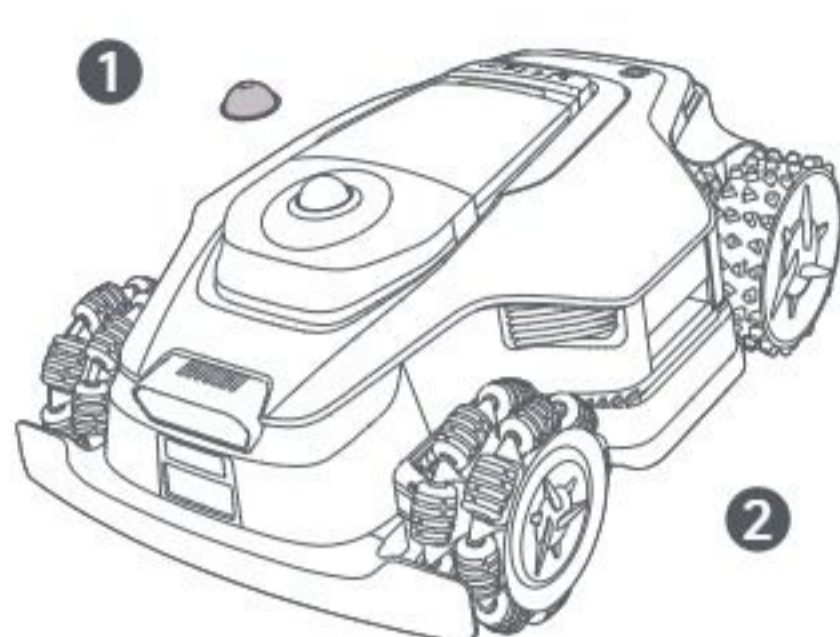
Dieses Gerät verfügt über mehrere Funktionen für die Netzwerkkommunikation, wie z. B. einen Ethernetanschluss (RJ-45), ein WLAN-Kommunikationsmodul und eine Schnittstelle für das USB-Debugging. Beim Einschalten sind die folgenden Netzwerkdienste standardmäßig aktiviert:

- **Web Configuration Service (HTTP/HTTPS):** Nutzt Port 80 (HTTP) und Port 443 (HTTPS) für die lokale Konfiguration und Statusüberwachung. Zur Vermeidung von Datenlecks empfiehlt es sich, den HTTP-Dienst unmittelbar nach der Installation zu deaktivieren, nur HTTPS zu aktivieren und ein vertrauenswürdiges TLS-Zertifikat zu verwenden.
- **Device Broadcasting (mDNS/SSDP):** Dient der automatischen Erkennung mittels Übertragung von Gerätedaten innerhalb des Local Area Network (LAN). Wenn diese Dienste nicht benötigt werden, empfiehlt sich ihre Deaktivierung, um das Ausspährisiko zu senken.
- **USB-Schnittstelle:** Wird für lokale Firmware-Upgrades und zum Auslesen von Protokollen verwendet. Wenn der Debugging-Modus aktiviert ist, können Zugriffsberechtigungen für Systemdateien offengelegt werden. Es empfiehlt sich, die Nutzung auf autorisiertes Personal zu beschränken und diese Schnittstelle zu deaktivieren, wann immer das Gerät nicht gewartet wird.

Ausführliche Informationen zur Konfiguration finden Sie im Abschnitt *Vorbereitung auf die erste Verwendung*.

2 Produkt-Einführung

2.1 Packungsinhalt



1 LiDAR-Schutzabdeckung

2 Mähroboter

3 Ladesäule (mit 10 m langem Verlängerungskabel)

4 Basisplatte

5 Netzteil

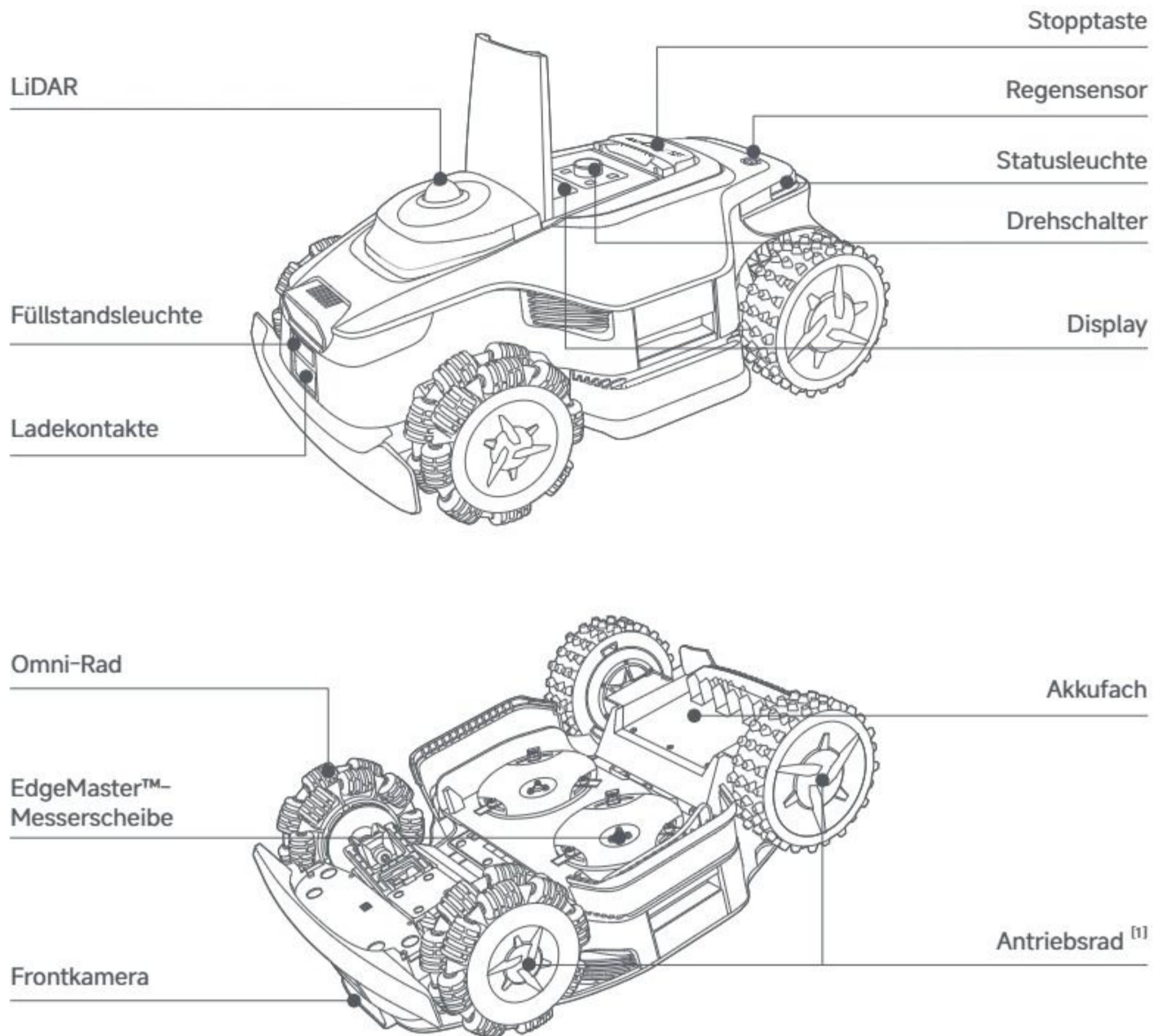
6 8 Schrauben, Sechskantschlüssel

7 Ersatzklingen × 18, Halter × 6, fusselfreies Tuch

8 Bedienungsanleitung

9 Schnellstartanleitung

2.2 Produktübersicht

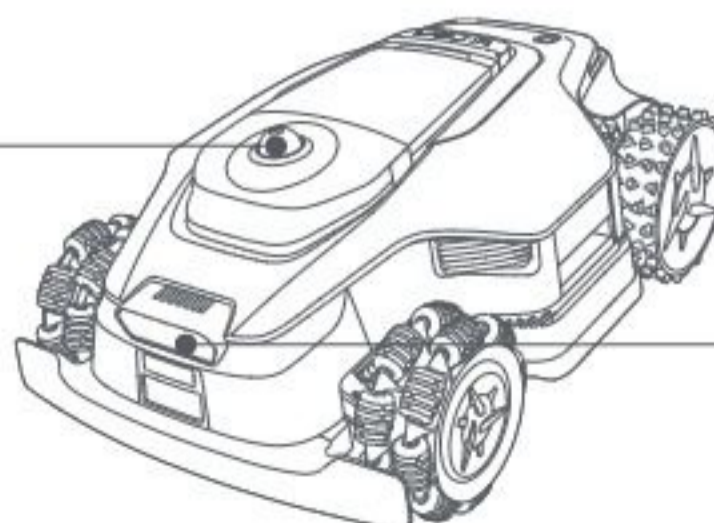


[1] Mit Nabenmotoren ausgestattet.

2.3 OmniSense™ 3.0: 3D-Ultra-Sensorsystem mit AI-Kameras

Heben Sie die Rasenpflege mit OmniSense™ 3.0 auf die nächste Stufe – ein bahnbrechendes 3D-Ultra-Sensorsystem mit zwei algorithmisch unterstützten HDR-Kameras, das eine umfassendere und detailliertere Wahrnehmung der 3D-Umgebung Ihres Gartens bietet.

 OmniSense™3.0
3D-Ultra-Sensorsystem



Omnidirektionale
3D-Hindernisvermeidung mit
KI-Optimierung



2.4 Link-Dienst mit GPS und 4G-Verbindung

Der Mähroboter verfügt über den Link-Dienst, mit dem Sie eine 4G-Mobilfunkverbindung nutzen können.

Link-Dienst aktivieren

Beim Einschalten des Mähroboters wird der Link-Dienst automatisch aktiviert.  Auf dem Display des Mähroboters und in der App leuchtet auf und zeigt die erfolgreiche Aktivierung an. Sie können den Nutzungsstatus des Link-Dienstes unter **-Verbindungen** in der App einsehen.

Bei aktiviertem Link-Dienst können Sie ohne WLAN-Verbindung per Fernüberwachung den Roboterstatus anzeigen und Mähaufgaben starten. Darüber hinaus verfügt der Mähroboter über ein integriertes GPS zur Standortverfolgung in Echtzeit, die den Diebstahlschutz zusätzlich verbessert. Sie können seinen Standort jederzeit von überall aus verfolgen und werden benachrichtigt, wenn er den festgelegten Kartenbereich verlässt.

Der Link Service tritt gemäß der von Ihnen erworbenen Produktkonfiguration ab dem Zeitpunkt der Aktivierung in Kraft.* Um den Dienst nach Ablauf zu verlängern, wenden Sie sich bitte unter **aftersales@dreame.tech** an den Dreame-Kundendienst.

*Bitte prüfen Sie die verbleibende kostenlose Nutzungsdauer des Link Service in der App oder wenden Sie sich für weitere Informationen an den Dreame-Kundendienst.

2.5 Sensoren

Name	Beschreibung
LiDAR	Erfasst Informationen zur Umgebung und dient der Positionierung des Roboters, der Hindernisvermeidung sowie der Erkennung von Wasser und Schmutz. Erfassungsbereich (bei 100 klx): 40 m bei einem Reflexionsgrad von 10 %, 70 m bei einem Reflexionsgrad von 80 % Sichtfeld: 360° (horizontal) × 59° (vertikal)
Frontkamera	Erkennt Hindernisse, Rasengrenzen und Personen. Bildwinkel: 89° (horizontal), 58° (vertikal) und 97° (diagonal) Auflösung: 2 MP
GPS	Der Mähroboter verfügt über eine integrierte GPS-Funktion. Über die App können Sie den Standort des Mähroboters in Google Maps in Echtzeit verfolgen.

3 Installation

3.1 Geeigneten Aufstellort auswählen

- Stellen Sie die Basisplatte auf ebenen Untergrund in der Nähe der Rasenkante und einer Steckdose. Nehmen Sie die Aufstellung an einem Ort mit starkem WLAN-Signal vor.

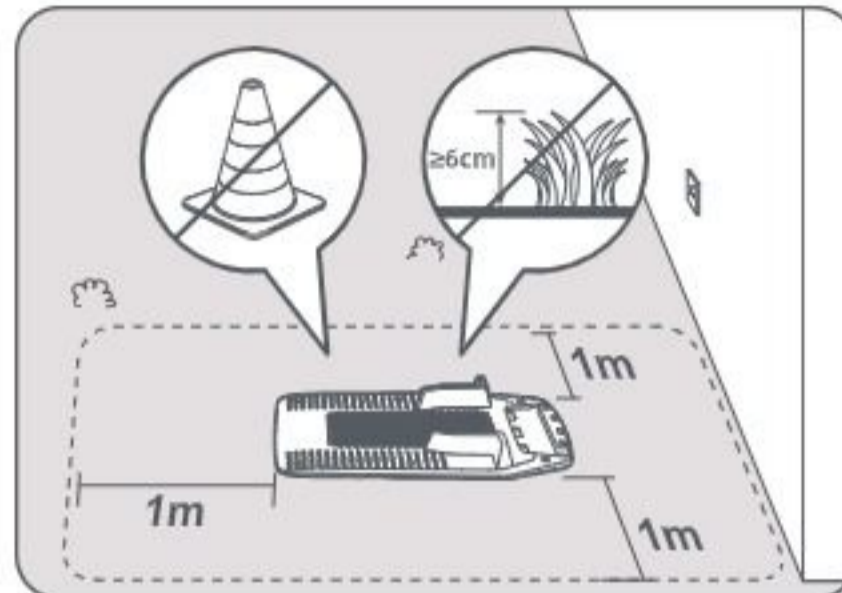
Hinweis: Prüfen Sie die WLAN-Signalstärke am Aufstellort mit Ihrem Mobiltelefon. Ein starkes WLAN-Signal ermöglicht eine stabile Verbindung zwischen Mähroboter und App.

Wichtig: Stellen Sie sicher, dass der Boden weich genug ist, um die Installation mit Schrauben zu ermöglichen.

Wichtig: Wenn die Ladestation an einem Hang aufgestellt wird, darf dieser nicht zu steil sein – anderenfalls könnte der Mähroboter nach unten rutschen und sein Andocken verhindert werden.

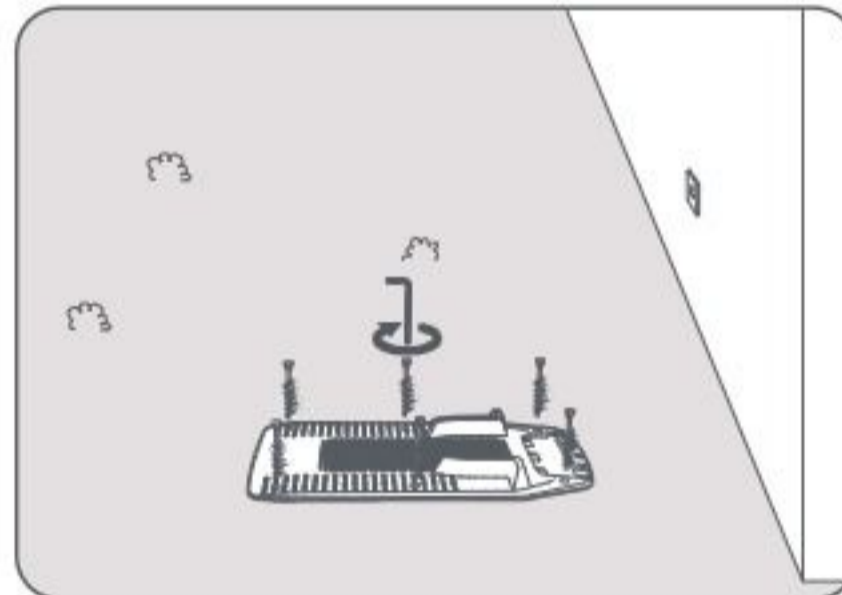


- Halten Sie links, rechts und vor der Basisplatte einen Freiraum von **mindestens 1 m** ein, in dem sich keinerlei Hindernisse befinden. Sorgen Sie dafür, dass das Gras im Umfeld des Aufstellorts kürzer als **6 cm** ist. Kürzen Sie höheres Gras zunächst mit einem herkömmlichen Rasenmäher. Hohes Gras kann dem Roboter die Rückkehr zur Ladestation erschweren.

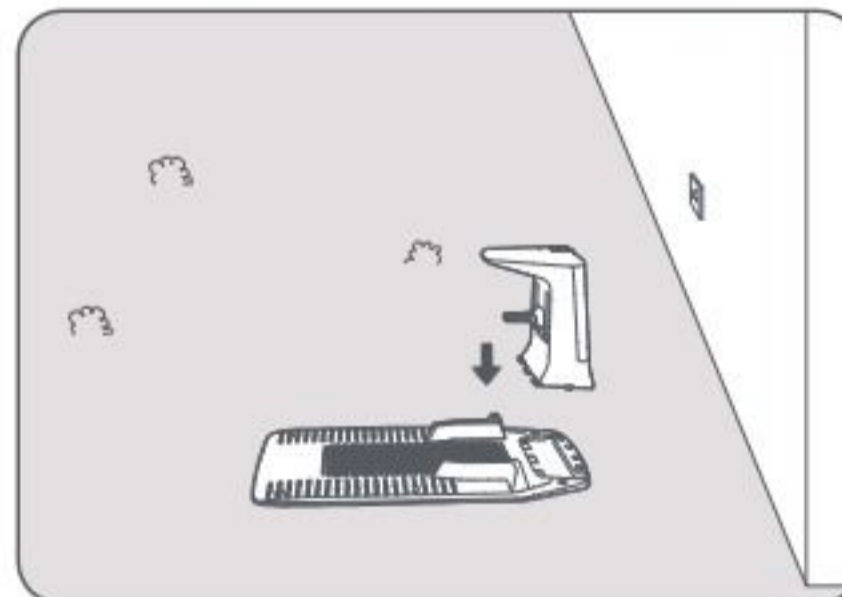


3.2 Ladestation installieren

- 1 Fixieren Sie die Basisplatte mit den mitgelieferten Schrauben und dem Sechskantschlüssel im Boden.

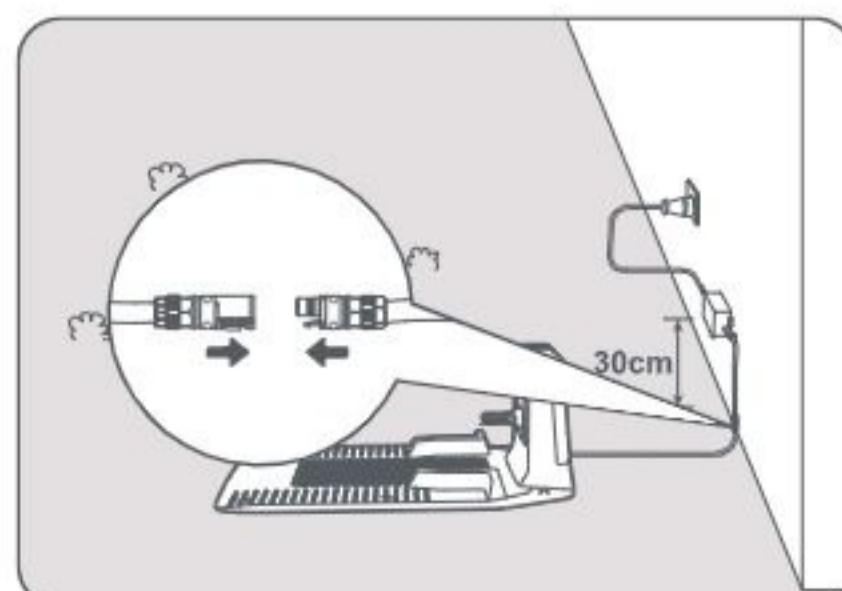


- 2 Schieben Sie die Ladesäule in die Basisplatte, bis Sie ein Klicken hören.

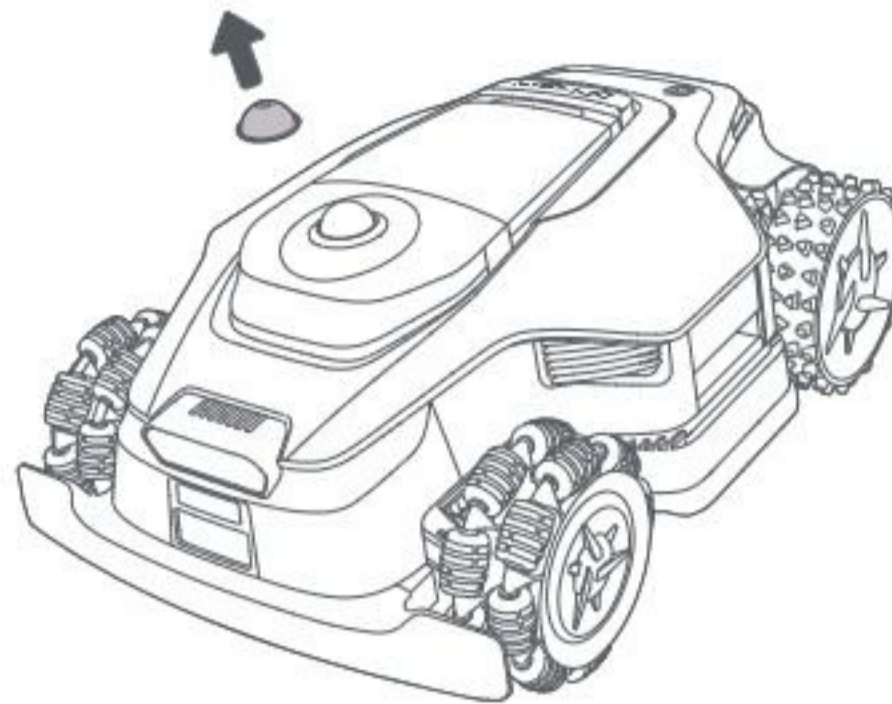


- 3 Schließen Sie das Netzteil an das Verlängerungskabel und dann an eine Steckdose an. Achten Sie darauf, dass sich das Netzteil mindestens **30 cm** über dem Boden befindet.

Hinweis: Die LED-Anzeige an der Ladestation **leuchtet blau**, wenn Spannung anliegt.



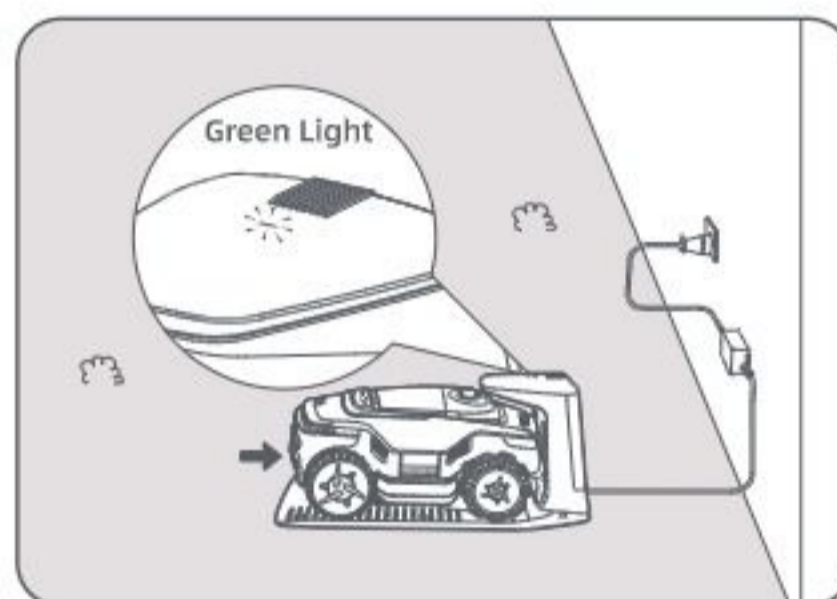
4 Nehmen Sie die LiDAR-Schutzabdeckung ab.



5 Stellen Sie den Roboter zum Aufladen in die Ladestation. Kontrollieren Sie, dass die Ladkontakte am Roboter und an der Ladestation richtig verbunden sind.

Hinweis: Die Anzeigeleuchte **blinkt grün**, wenn der Roboter in der Ladestation ordnungsgemäß aufgeladen wird.

Hinweis: Wenn Sie den Roboter zusätzlich mit einer Garage schützen möchten, erwerben Sie bitte im örtlichen Einzelhandel oder online die passende Dreame-Garage. Eine andere Garage als von Dreame kann zu Ladeproblemen führen.

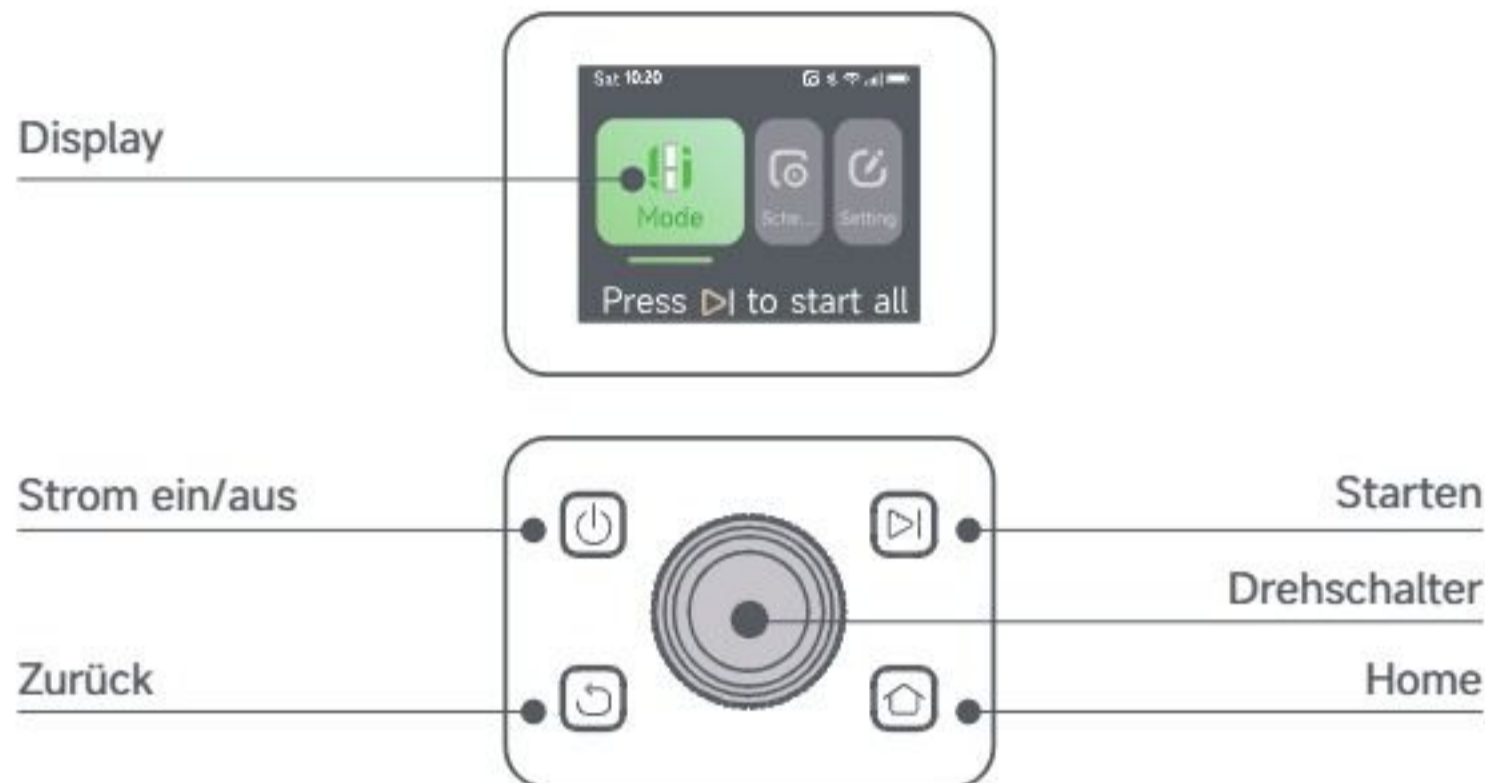


LED-Anzeige an der Ladestation

Leuchtfarbe der LED-Anzeige	Bedeutung
Blinkt/leuchtet rot	1. Es liegt ein Problem mit der Ladestation vor (z. B. bezüglich Ladestrom oder Spannung).
	2. Der Roboter ist mit der Ladestation verbunden, aber der Ladevorgang verläuft nicht normal (z. B. Kurzschluss der Ladkontakte).
Leuchtet blau	An der Ladestation liegt Spannung an. Der Roboter wird nicht an der Ladestation aufgeladen.
Blinkt grün	Der Roboter wird an der Ladestation aufgeladen.
Leuchtet grün	Der Roboter befindet sich voll geladen an der Station oder außerhalb der Ladezeiten.

4 Vorbereitung auf die erste Verwendung

4.1 Funktionen des Bedienfelds








Display

Icon	Status
	Ladestand (zeigt den aktuellen Akkustand an).
	Aufladung (der Roboter ist richtig mit der Ladestation verbunden).
	Bluetooth (Der Roboter ist über Bluetooth mit der App verbunden).
	WLAN (der Roboter ist über ein WLAN-Netzwerk mit der App verbunden).
	Link-Dienst (der Link-Dienst ist aktiviert).
	Zeitplan (eine Aufgabe ist für heute geplant, wurde aber noch nicht begonnen).

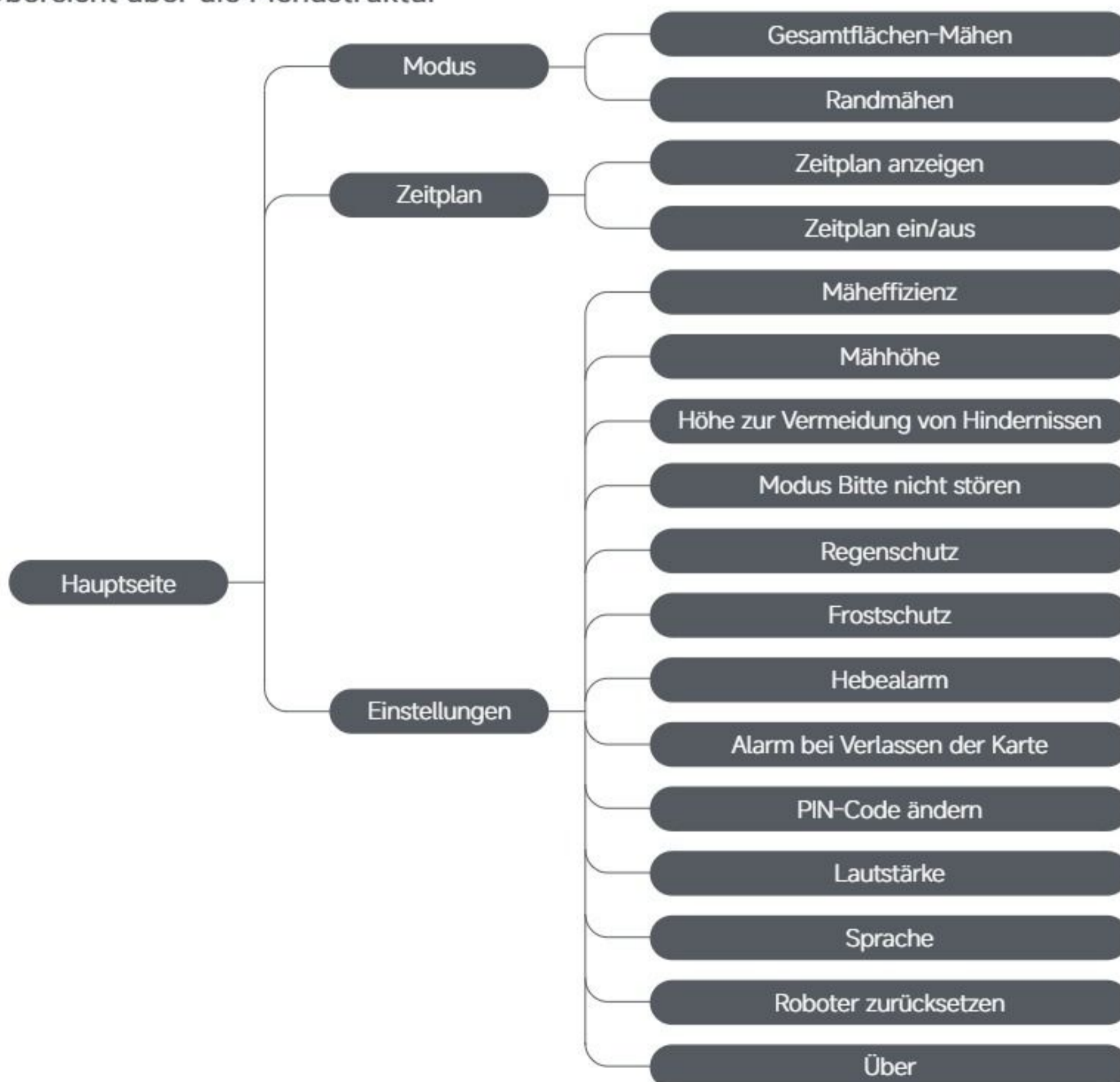
Bedienelemente

Taste	Funktion
Ein/Aus	Halten Sie die Taste 2 Sekunden lang gedrückt, um den Mähroboter ein- oder auszuschalten. Stellen Sie sicher, dass er sich außerhalb der Ladestation befindet.
Starten	Um das Gesamtflächen-Mähen zu starten oder unterbrochene Mähaufgaben fortzusetzen, drücken Sie die Taste und schließen Sie dann innerhalb von 5 Sekunden die Abdeckung. Wenn Sie die Abdeckung nicht innerhalb von 5 Sekunden schließen, wird der Vorgang abgebrochen.
Home	Drücken Sie die Taste und schließen Sie innerhalb von 5 Sekunden die Abdeckung, um den Roboter zum Aufladen zurück zur Ladestation zu schicken. Wenn Sie die Abdeckung nicht innerhalb von 5 Sekunden schließen, wird der Vorgang abgebrochen.
Zurück	Drücken Sie die Taste , um im Menü eine Ebene nach oben zu navigieren.

Bedienelemente

Drehschalter	Drücken Sie den Drehschalter, um eine Menüauswahl zu bestätigen.
	Halten Sie den Drehschalter 3 Sekunden lang gedrückt, um den Bluetooth-Kopplungsmodus zu aktivieren.
	Drehen Sie den Drehschalter nach rechts, um durch das Menü zu navigieren.
Starten + Zurück	Halten Sie die Tasten  und  gleichzeitig 3 Sekunden lang gedrückt, um den Roboter auf die Werkseinstellungen zurückzusetzen. Der PIN-Code wird nicht gelöscht.
Home + Zurück	Halten Sie die Tasten  und  gleichzeitig 3 Sekunden lang gedrückt, um in den Einstellungen die Seite Über aufzurufen. Die Über-Seite wird nach 5 Sekunden ausgeblendet.
Drehschalter + Zurück	Halten Sie den Drehschalter und die Taste  gleichzeitig 3 Sekunden lang gedrückt, um den PIN-Code auf die Werkseinstellungen zurückzusetzen.
Stopp	Drücken Sie die Stopptaste , um die obere Abdeckung zu öffnen und den Mähroboter anzuhalten. Um den Betrieb fortzusetzen, muss am Bedienfeld der PIN-Code eingegeben werden.

Übersicht über die Menüstruktur



* Je nach Softwareversion sind Änderungen möglich.

Statusleuchte am Roboter

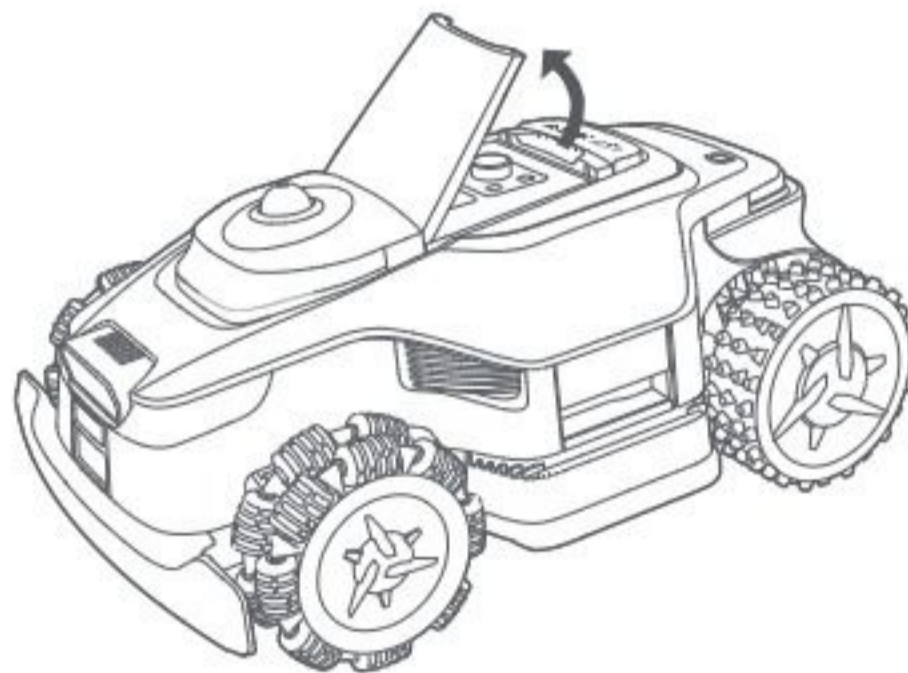
Farbe	Bedeutung
Leuchtet rot	1. Der Roboter ist im Standby-Modus.
	2. Der Roboter führt eine Aufgabe aus oder wurde angehalten.
	3. Der Akku ist vollständig geladen (die Anzeige ist schwächer als im vollständig geladenen Zustand).
	4. Der Roboter ist an die Ladestation angedockt und wird aufgeladen.
Rotiert	Der Roboter ist an die Ladestation angedockt.
Pulsiert rot	1. Der Roboter befindet sich auf Patrouille.
	2. In der App kann das Echtzeit-Video der Frontkamera angezeigt werden.
	3. Der Roboter bewegt sich auf den vorgesehenen Standort zu.
Rot blinkend	Der Roboter hat während der Aufgabe eine Störung festgestellt.
Wellenförmig (Mitte – außen)	Der Roboter wird eingeschaltet.


Hinweis: Unter **Einstellungen > Licht** können Sie Einschaltdauer und Szenarien der Leuchtanzeige des Roboters anpassen.

4.2 Grundeinstellungen

Vor dem ersten Einschalten des Roboters müssen einige Grundeinstellungen vorgenommen werden, damit er seine Arbeit aufnehmen kann.

- 1 Öffnen Sie die obere Abdeckung.

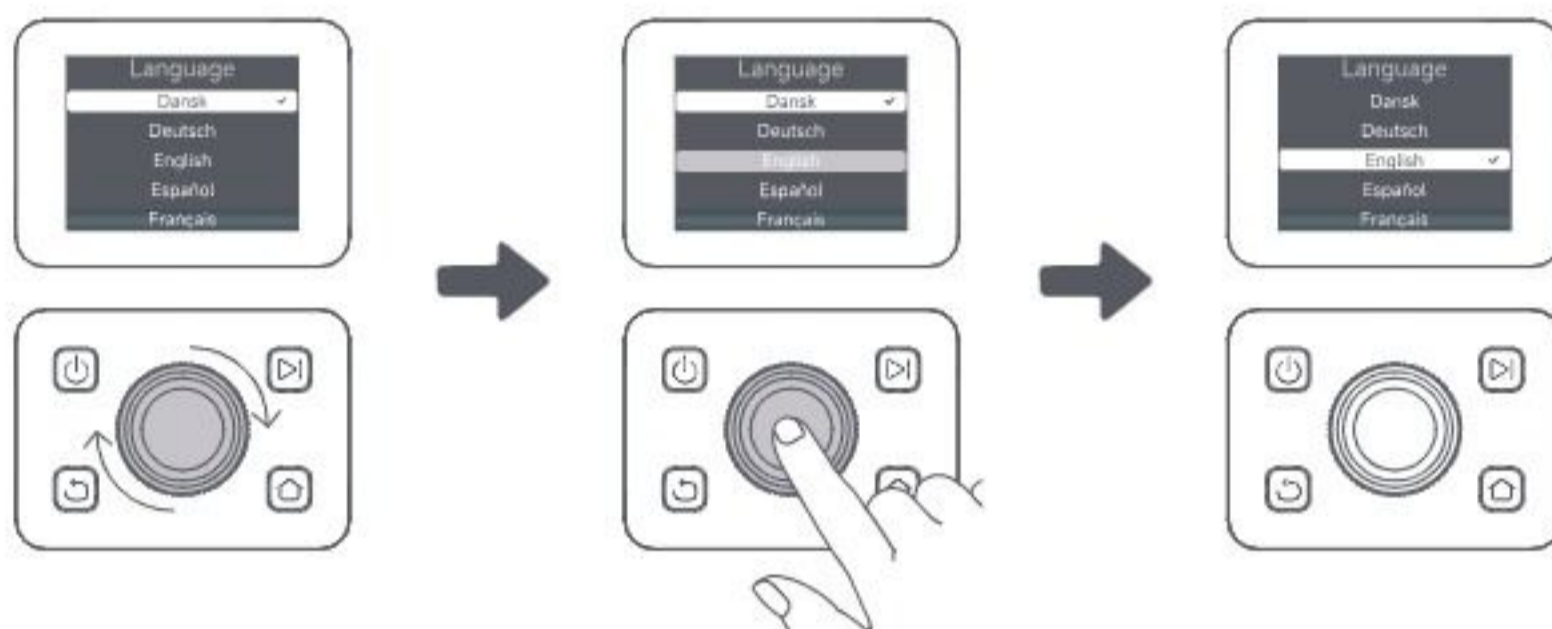


- 2 Halten Sie die Taste  am Bedienfeld 2 Sekunden lang gedrückt, um den Roboter einzuschalten.
Hinweis: Der Roboter schaltet sich automatisch ein, wenn er an die Ladestation andockt.



3 Gewünschte Sprache auswählen

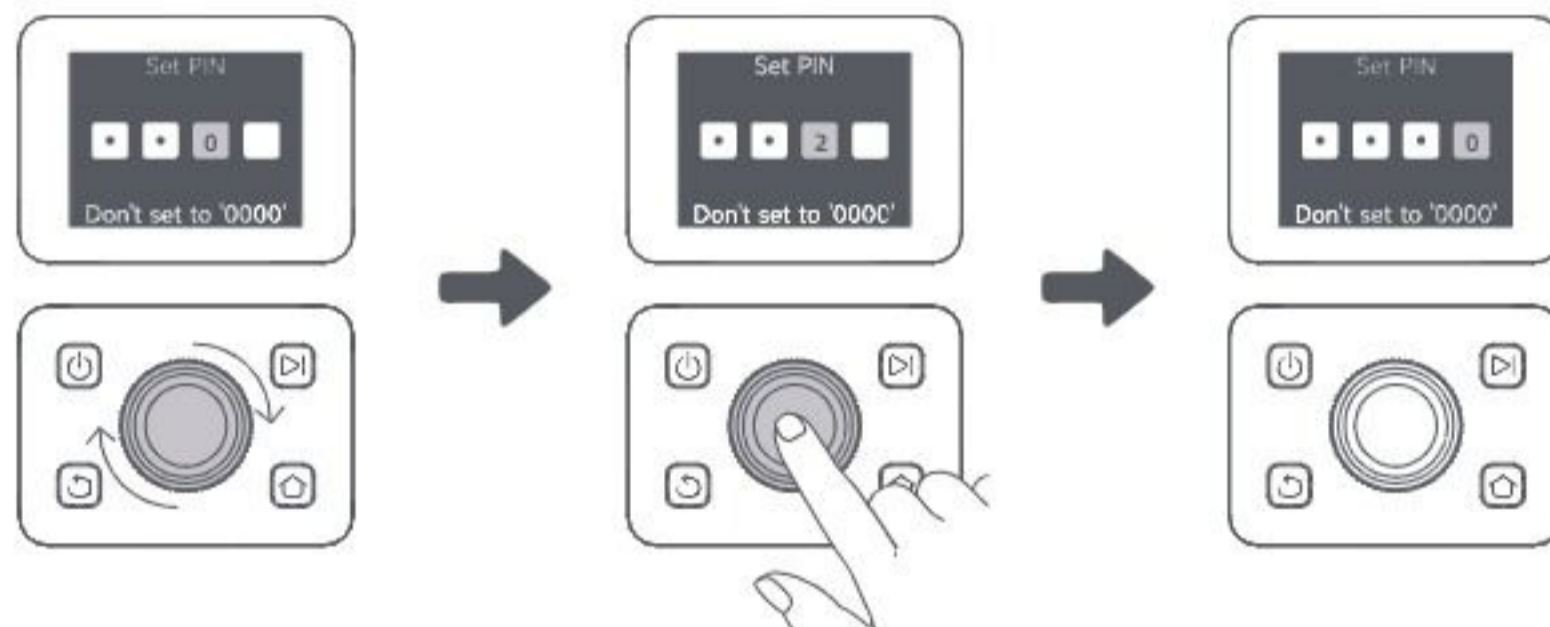
Drehen Sie den Drehschalter zur Sprachauswahl nach rechts, um nach unten zu navigieren, und nach links, um nach oben zu navigieren. Bestätigen Sie Ihre Auswahl, indem Sie den Drehschalter drücken.



4 PIN-Code einstellen

1. Drehen Sie den Drehschalter, um eine Zahl zwischen 0 und 9 auszuwählen. Drehen Sie nach rechts, um die Zahl zu erhöhen, und nach links, um sie zu senken. Bestätigen Sie Ihre Auswahl, indem Sie den Drehschalter drücken, und stellen Sie dann die nächste Zahl ein. Sie ändern eine eingegebene Zahl, indem Sie den Drehregler gegen den Uhrzeigersinn drehen, bis die Zahl 0 erreicht, und ihn dann noch eine Position weiterdrehen.

Wichtig: Bitte stellen Sie als PIN-Code nicht „0000“ ein.



2. Geben Sie den PIN-Code erneut ein, um seine Einstellung abzuschließen.

Hinweis: Wenn die beiden Passwörter nicht übereinstimmen, geben Sie das neue Passwort erneut ein.

5 Roboter mit dem Internet verbinden

Scannen Sie den QR-Code, um die Dreamehome-App auf Ihr Mobilgerät herunterzuladen. Erstellen Sie nach erfolgter Installation ein Konto und melden Sie sich an.



Sie können die Dreamehome-App auch im App Store oder auf Google Play herunterladen.




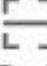
Der Roboter unterstützt den 4G-Mobilfunkstandard und verfügt über ein integriertes GPS. Für die optimale Leistung empfehlen wir jedoch die Einrichtung einer WLAN-Verbindung.

Vor der Netzwerkeinrichtung:


- Kontrollieren Sie, dass Roboter und Mobilgerät mit demselben WLAN-Netzwerk verbunden sind.
- Kontrollieren Sie, dass Ihr Mobilgerät max. **10 m** vom Roboter entfernt ist.
- Aktivieren Sie Bluetooth am Mobilgerät.

1. Öffnen Sie die Dreamehome-App.

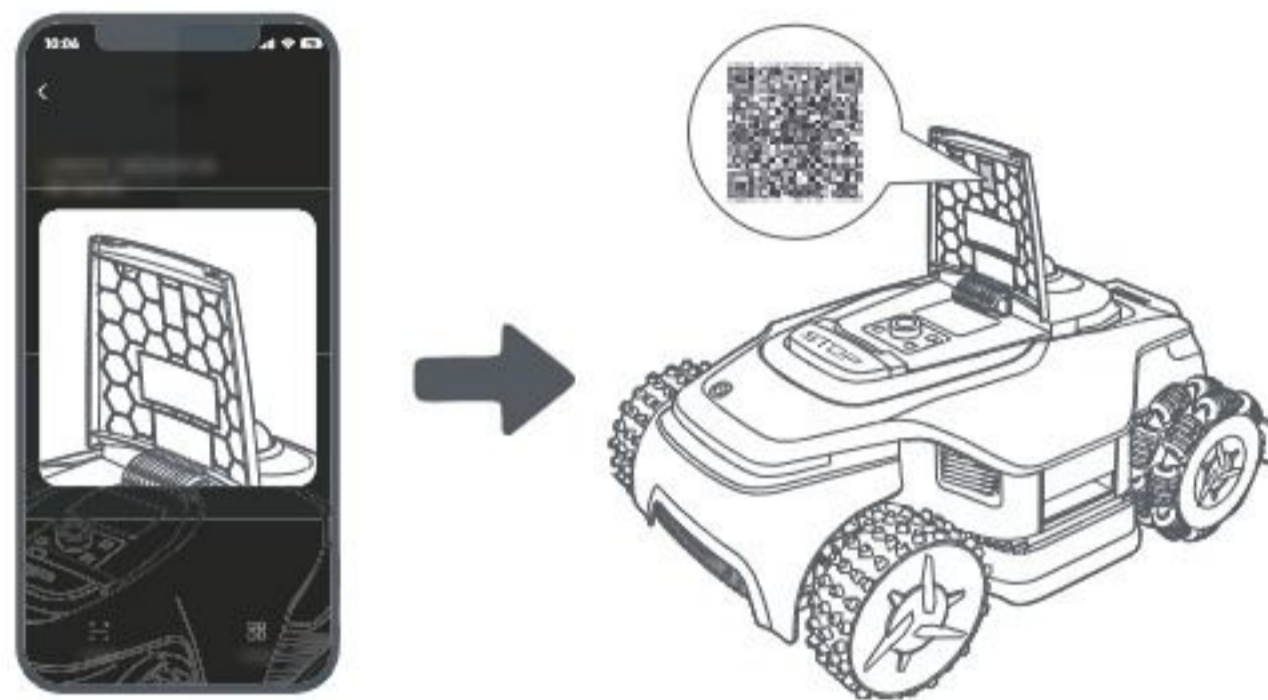
2. Sie können die Verbindung mit einer der folgenden Methoden herstellen:

a. QR-Code scannen: Tippen Sie auf  **Das Gerät** und dann auf  **Zum Verbinden QR-Code scannen**.

Scannen Sie den QR-Code innen an der oberen Abdeckung des Roboters, um die Verbindung herzustellen.

b. Manuell hinzufügen: Tippen Sie auf  **Das Gerät** und dann auf  **Hinzufügen**. Wählen Sie anschließend aus, mit welchem Robotermodell die Verbindung hergestellt werden soll.

c. Automatische Erkennung: Der Roboter sucht nach Geräten in der Nähe. Tippen Sie in der Liste der erkannten Geräte auf Ihren Roboter, um die Verbindung herzustellen.

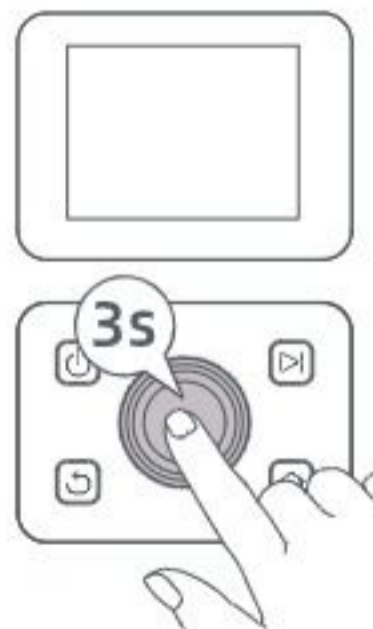


3. Befolgen Sie die Anweisungen in der App, um die WLAN-Verbindung herzustellen.

Wichtig: Bitte nutzen Sie ein Singleband-Netzwerk mit 2,4 GHz Frequenz oder ein Dualband-Netzwerk mit 2,4/5 GHz Frequenz.

Wichtig: Stellen Sie sicher, dass Ihr WLAN-Netzwerk weder mit einer Firewall versehen noch verschlüsselt ist. Anderenfalls kann die Netzwerkeinrichtung fehlschlagen.

4. Halten Sie den Drehschalter am Bedienfeld 3 Sekunden lang gedrückt. Der Roboter wechselt in den Bluetooth-Kopplungsmodus.



5. Befolgen Sie die Anweisungen in der App, um die Kopplung abzuschließen.

Wie hebe ich die Verknüpfung des Roboters auf?

Nach erfolgreicher Kopplung wird der Roboter automatisch mit dem Dreamehome-Konto verknüpft. Jedes Gerät kann nur mit einem Konto verknüpft werden. Die gleichzeitige Verknüpfung mit einem anderen Konto ist nicht möglich.

Um den Roboter mit einem neuen Konto zu verknüpfen, müssen Sie zunächst die bestehende Verknüpfung aufheben. Zum Aufheben der Verknüpfung:

1. Öffnen Sie die Dreamehome-App. Tippen Sie auf  **Das Gerät**.
2. Wenn mehrere Roboter mit Ihrem Dreamehome-Konto verknüpft sind, wischen Sie nach links oder rechts, um auf die Seite mit dem gewünschten Roboter zu gelangen.
3. Tippen Sie in der rechten oberen Ecke auf .
4. Wählen Sie  **Löschen** aus.

Wie kann ich den Roboter gemeinsam mit anderen nutzen?

1. Tippen Sie in der rechten oberen Ecke auf .
2. Wählen Sie  **Gerät gemeinsam nutzen** aus.

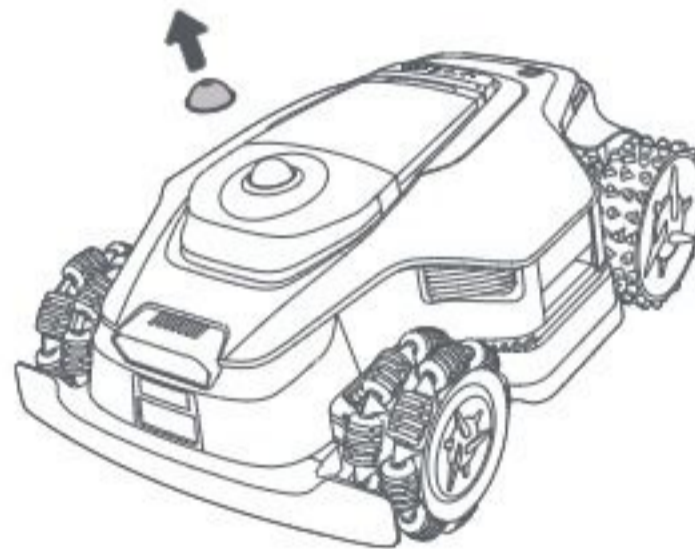
Wie melde ich mich von meinem Dreamehome Konto ab oder lösche es?

1. Wählen Sie  **Mein Profil** >  > **Konto** aus.
2. Wählen Sie **Abmelden** oder **Konto löschen**.

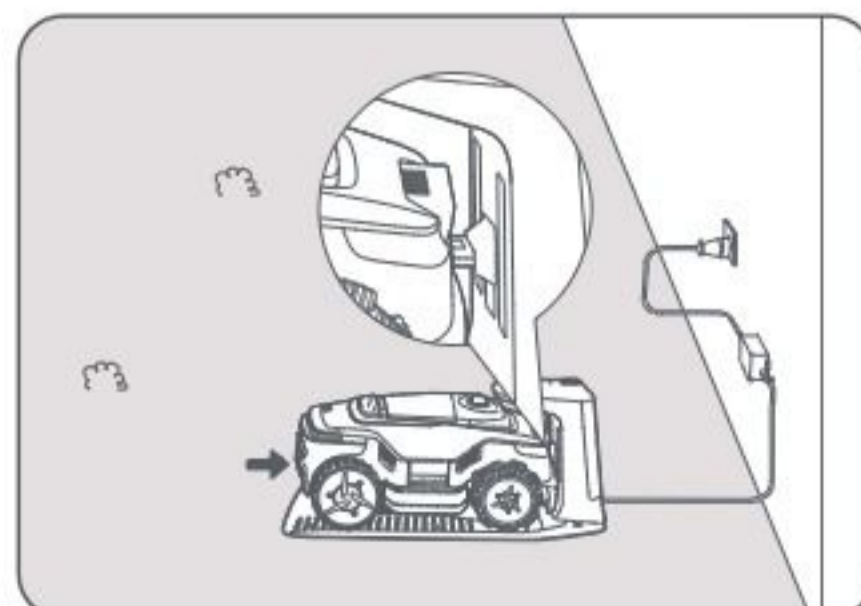
5 Karte des Gartens erstellen

Überprüfen Sie vor der Kartenerstellung bitte Folgendes:

- Der Akkustand des Roboters liegt über 50 %.
- Die LiDAR-Schutzabdeckung wurde abgenommen.



- Die obere Abdeckung ist geschlossen.
- Der Roboter ist richtig mit der Ladestation verbunden.



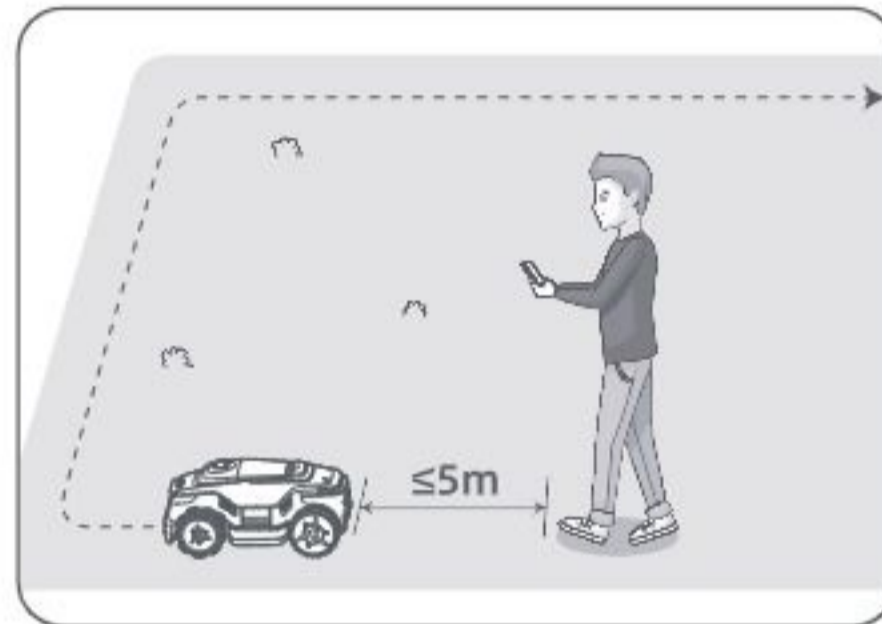
5.1 Virtuelle Begrenzung erstellen

Beachten Sie vor Beginn der Kartenerstellung bitte Folgendes:

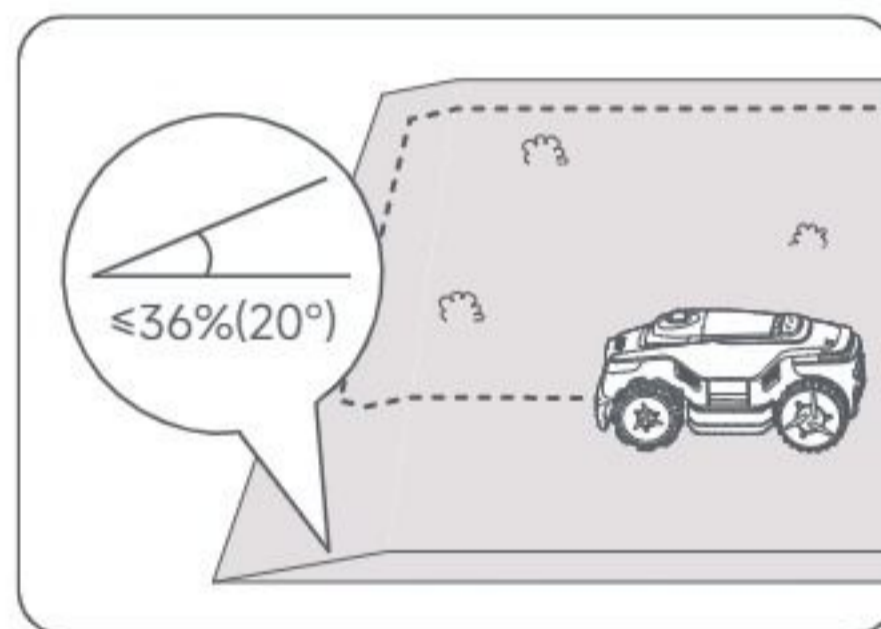
Wichtig: Bewegen Sie den Roboter beim Erstellen der Begrenzung nicht manuell, da sonst die Kartenerstellung möglicherweise fehlschlägt.

Wichtig: Docken Sie den Roboter bei Beginn der Kartenerstellung nicht ferngesteuert an die Ladestation an, bis diese abgeschlossen ist. Anderenfalls kann das LiDAR blockiert werden und die Kartenerstellung fehlschlagen.

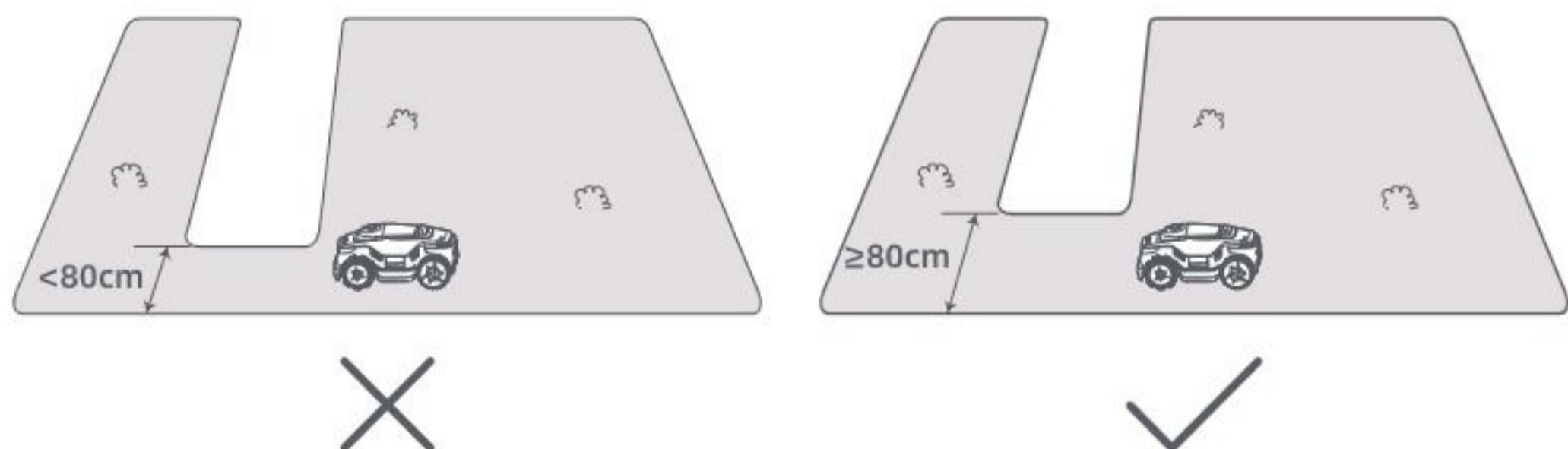
- Gehen Sie während der Kartenerstellung max. **5 m** hinter dem Roboter.



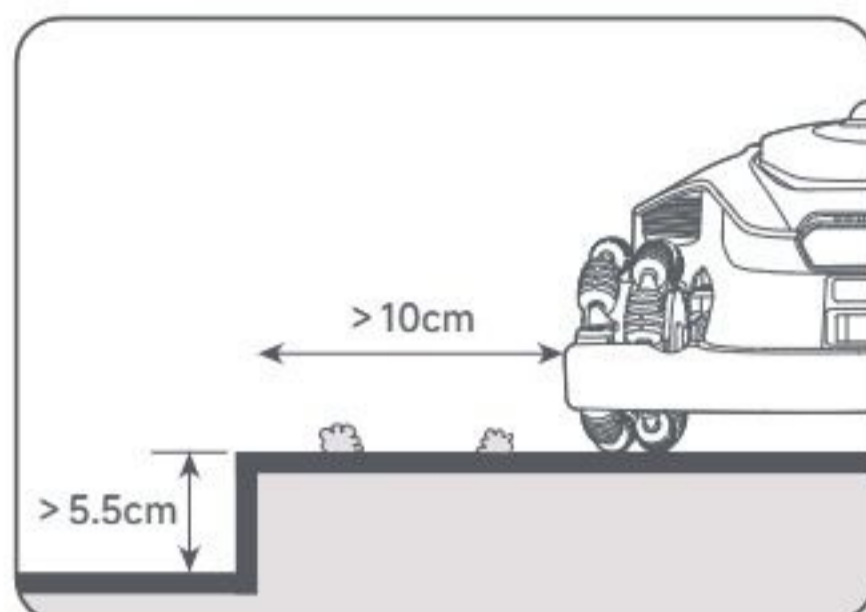
- Der Roboter bewältigt Steigungen von bis zu **80 % (38°)**. Für optimale Mähergebnisse sollte die Neigung der Arbeitsfläche jedoch unter **36 % (20°)** liegen.



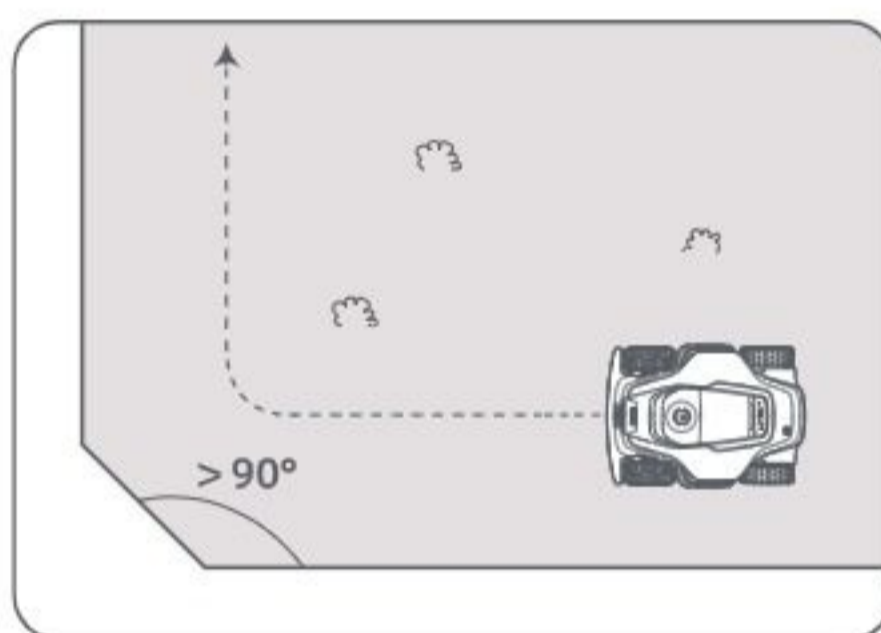
- Definieren Sie Bereiche mit einer Breite unter **80 cm** bitte als Pfade, damit der Roboter sie durchfahren kann (siehe Abschnitt 5.4: **Pfad festlegen**).



- Wenn Ihr Rasen über **5,5 cm** höher als die angrenzende Fläche ist, sollte der Roboter mindestens **10 cm** Abstand von der Kante halten. Wenn Ihr Rasen auf der gleichen Höhe wie die angrenzende Fläche liegt, kann der Roboter die Begrenzung kreuzen, um an den Rändern optimale Mähergebnisse zu erzielen.

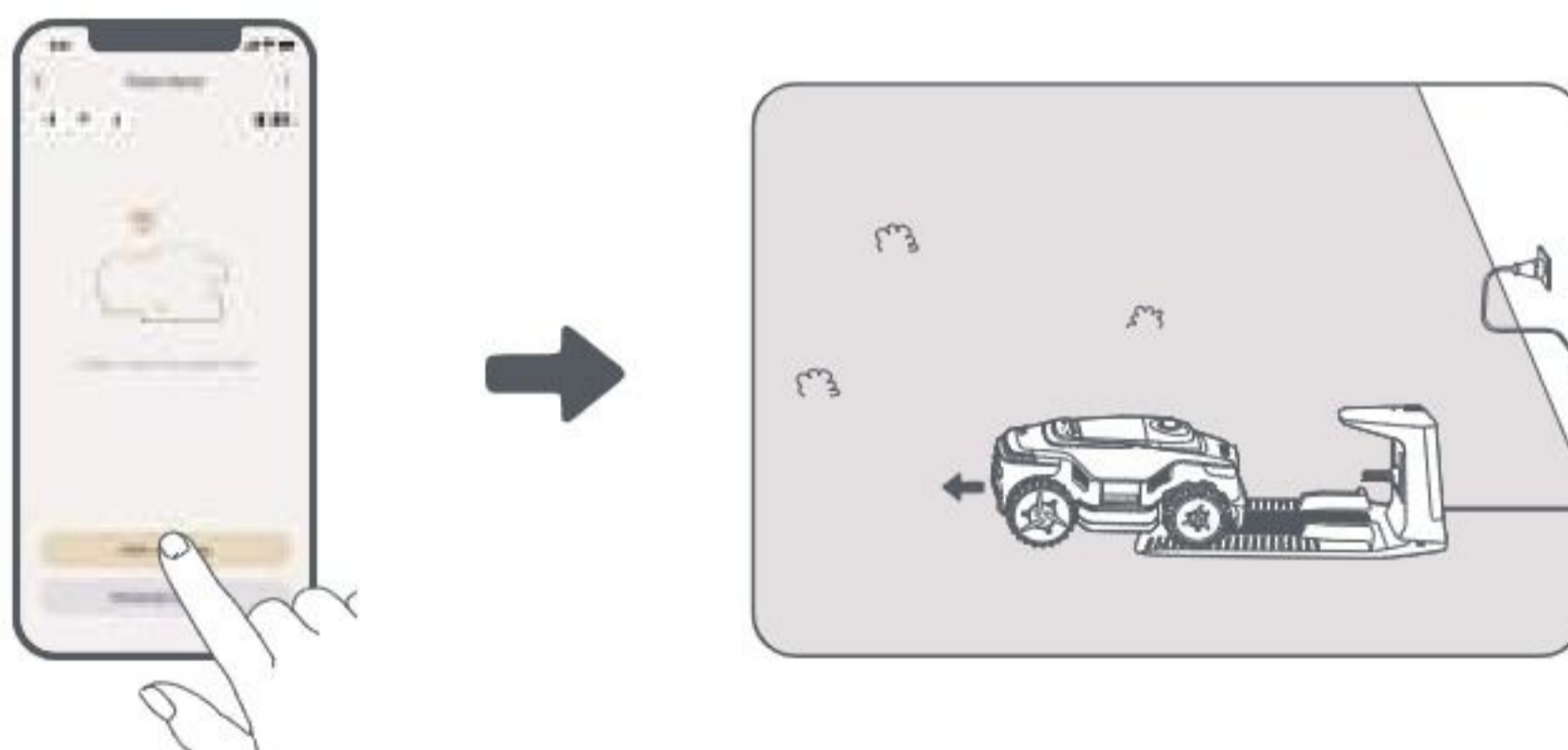


- Stellen Sie sicher, dass die Kurvenwinkel größer als **90°** sind. Winkel unter 90° können es dem Roboter erschweren, einen sauberen Schnitt zu erzielen.

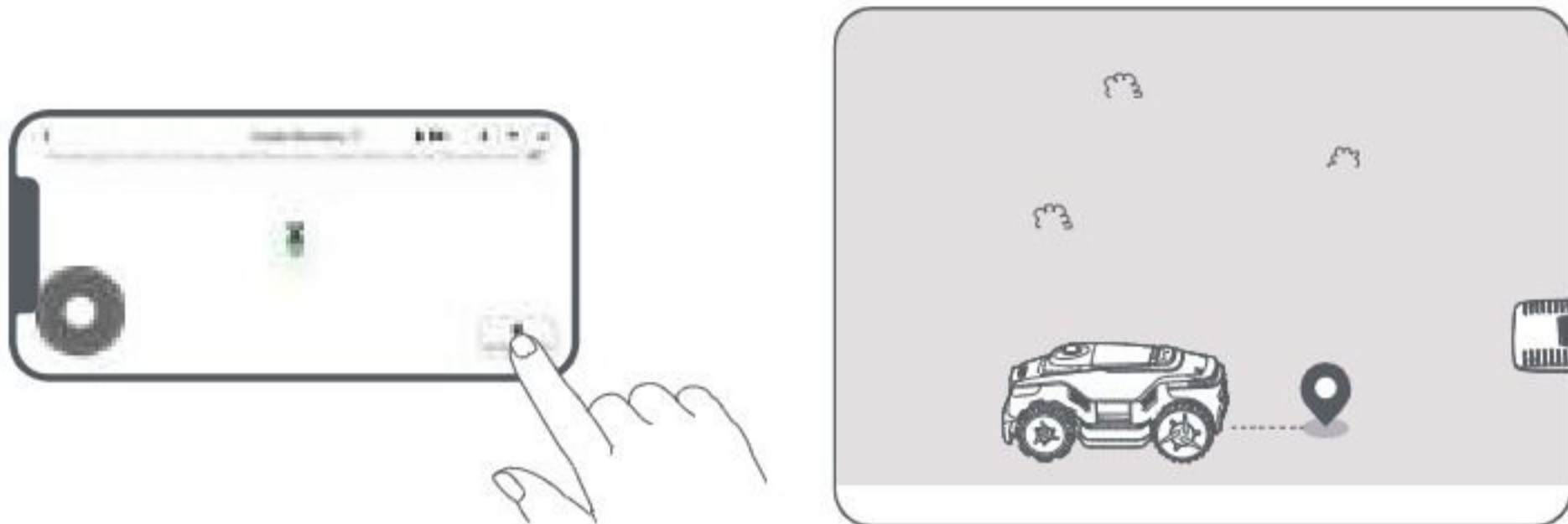


Kartenerstellung starten:

1. Tippen Sie in der App auf **Kartenerstellung starten** – daraufhin überprüft der Roboter seinen Status und wird kalibriert. Für die Kalibrierung verlässt er automatisch die Ladestation. Seien Sie bitte vorsichtig.



2. Fahren Sie den Roboter per Fernbedienung an die Rasenkante und tippen Sie dann auf **Startpunkt setzen**, um den Startpunkt der Begrenzung festzulegen.



3. Steuern Sie den Roboter per Fernbedienung an der Rasenkante entlang, um den Arbeitsbereich abzustecken.

Automatische Begrenzungserkennung

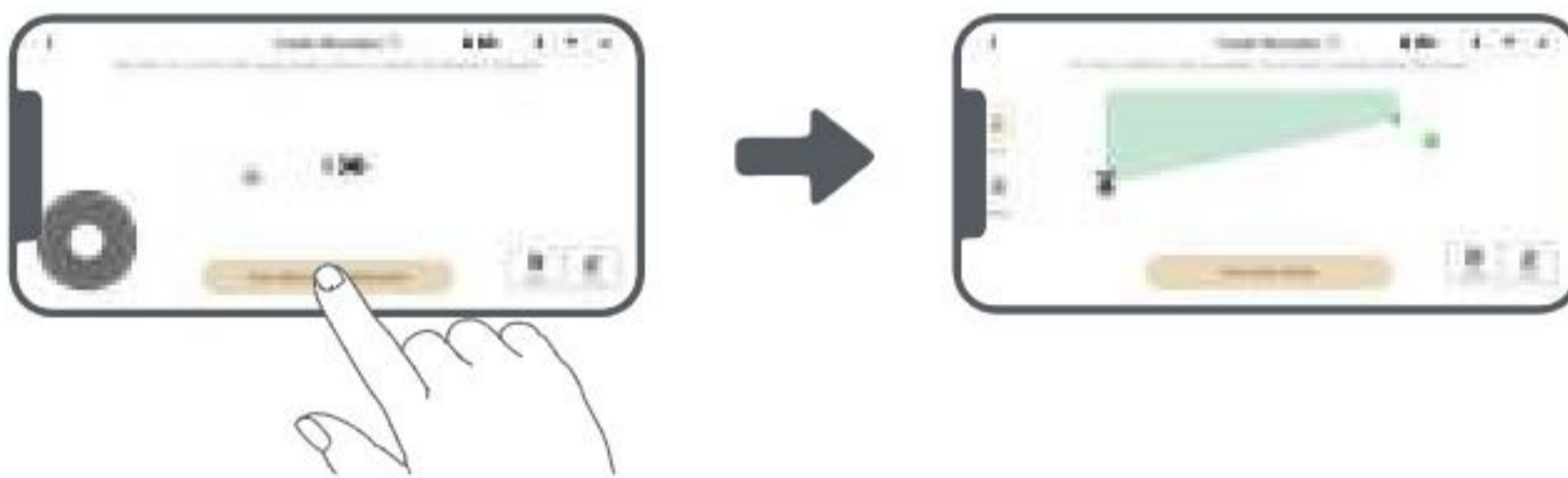
Der Roboter nutzt einen leistungsstarken KI-Algorithmus, um mithilfe seiner Frontkamera Flächen mit und ohne Gras zu erkennen – so kann er ohne manuelle Steuerung Grenzen identifizieren.

Nachdem Sie den Roboter per Fernbedienung zur Rasenkante gesteuert und den Startpunkt festgelegt haben, können Sie den Modus **Automatische Begrenzungserkennung** aktivieren. Dabei können Sie wählen, ob der Roboter die Begrenzung kreuzen soll, um ein besonders sauberes Mähergebnis zu erzielen, oder an ihr entlangfahren soll, um ein Festfahren zu vermeiden.

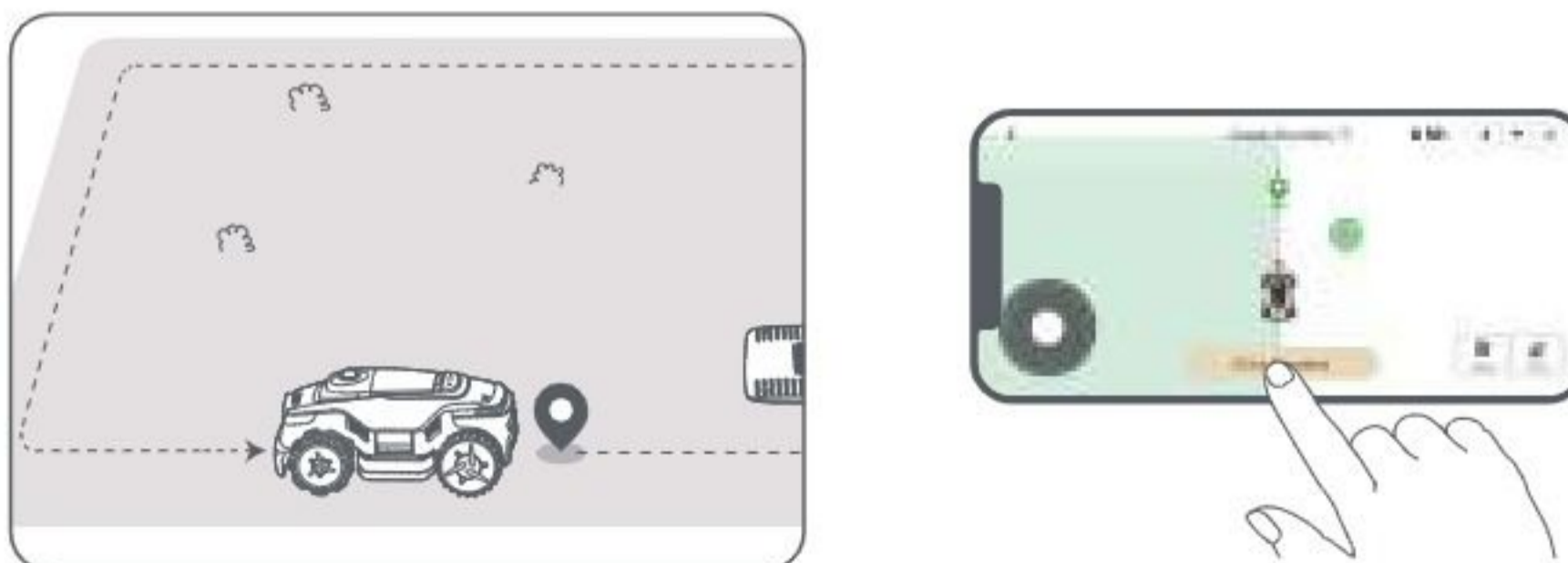
Wir empfehlen, dem Roboter während dieses Vorgangs zu folgen. Wenn der Roboter die Begrenzungen nicht genau erkennt, können Sie den Modus „Automatische Begrenzungserkennung“ jederzeit beenden und zur Fernbedienung wechseln.

Wichtig: Nutzen Sie die automatische Begrenzungserkennung bei Tageslicht, um eine gute Sicht zu gewährleisten. Verwenden Sie diesen Modus nicht bei schlechten Lichtverhältnissen oder Regen.

Wichtig: Überprüfen Sie, dass die Frontkamera des Roboters sauber und nicht blockiert ist.

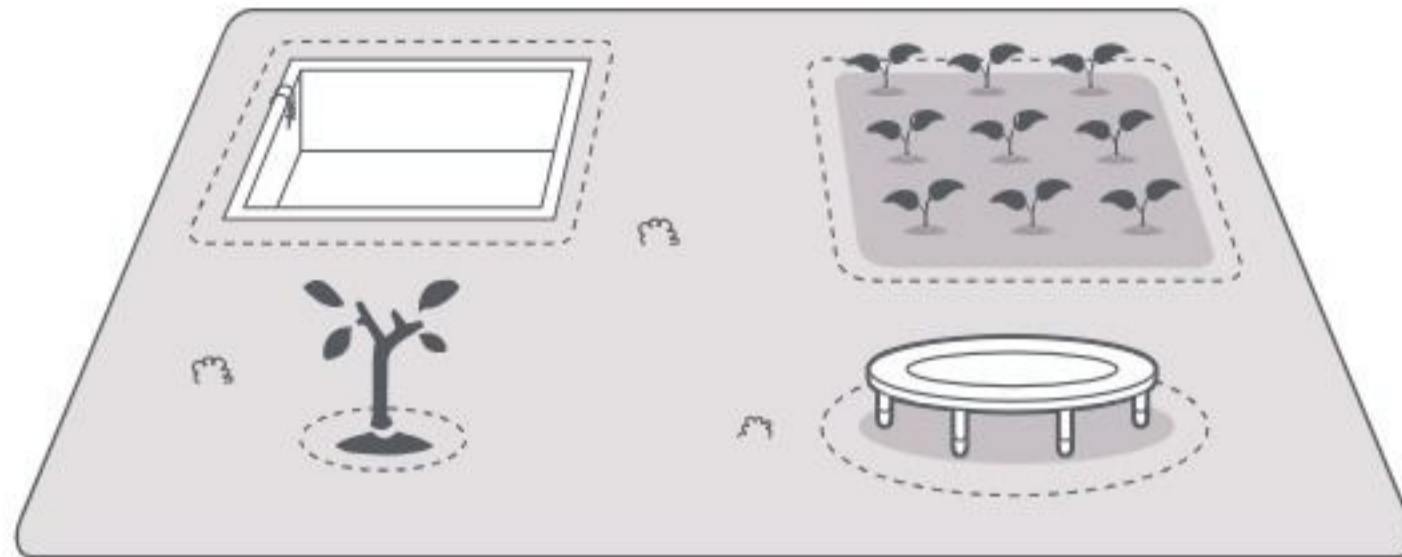


4. Wenn der Roboter innerhalb **1 m** des Startpunkts zurückkehrt, tippen Sie auf **Begrenzung schließen**. Die Begrenzung wird automatisch fertiggestellt.




5.2 Sperrzone festlegen

Obwohl der Roboter Hindernissen automatisch ausweichen kann, müssen Bereiche mit Sturzgefahr, wie z. B. Schwimmbäder und Sandkästen, als Sperrzonen festgelegt werden. Definieren Sie auch andere zu umfahrende Objekte (z. B. Blumen- oder Gemüsebeet, Trampolin, freiliegende Baumwurzel) als Sperrzonen. Tippen Sie zur Erstellung einer Sperrzone in der App auf **Sperrzone**. Unter  > **Kartenbearbeitung** können Sie auch nach der Kartenerstellung Sperrzonen erstellen oder löschen.




5.3 Mehr Zonen erstellen und vorhandene Zonen erweitern

• Mehr Zonen erstellen

Wenn Ihr Rasen durch eine Straße getrennt ist oder mehrere Rasenflächen voneinander isoliert sind, können Sie über **Zone festlegen** in der App weitere Arbeitsbereiche erstellen. Unter  > **Kartenbearbeitung** können Sie Zonen auch hinzufügen, löschen oder ändern, wenn die Karte fertig ist.



• Vorhandene Zonen erweitern

Um eine vorhandene Zone zu erweitern, tippen Sie in der App auf **Zone festlegen**, um den zusätzlichen Bereich zu erstellen. Wenn sich die beiden Bereiche überschneiden, werden sie automatisch zusammengeführt. Oder Sie erweitern eine vorhandene Zone, indem Sie nach Abschluss der Kartenerstellung  > **Kartenbearbeitung** > **Zone festlegen** auswählen.

• Zonen trennen und kombinieren

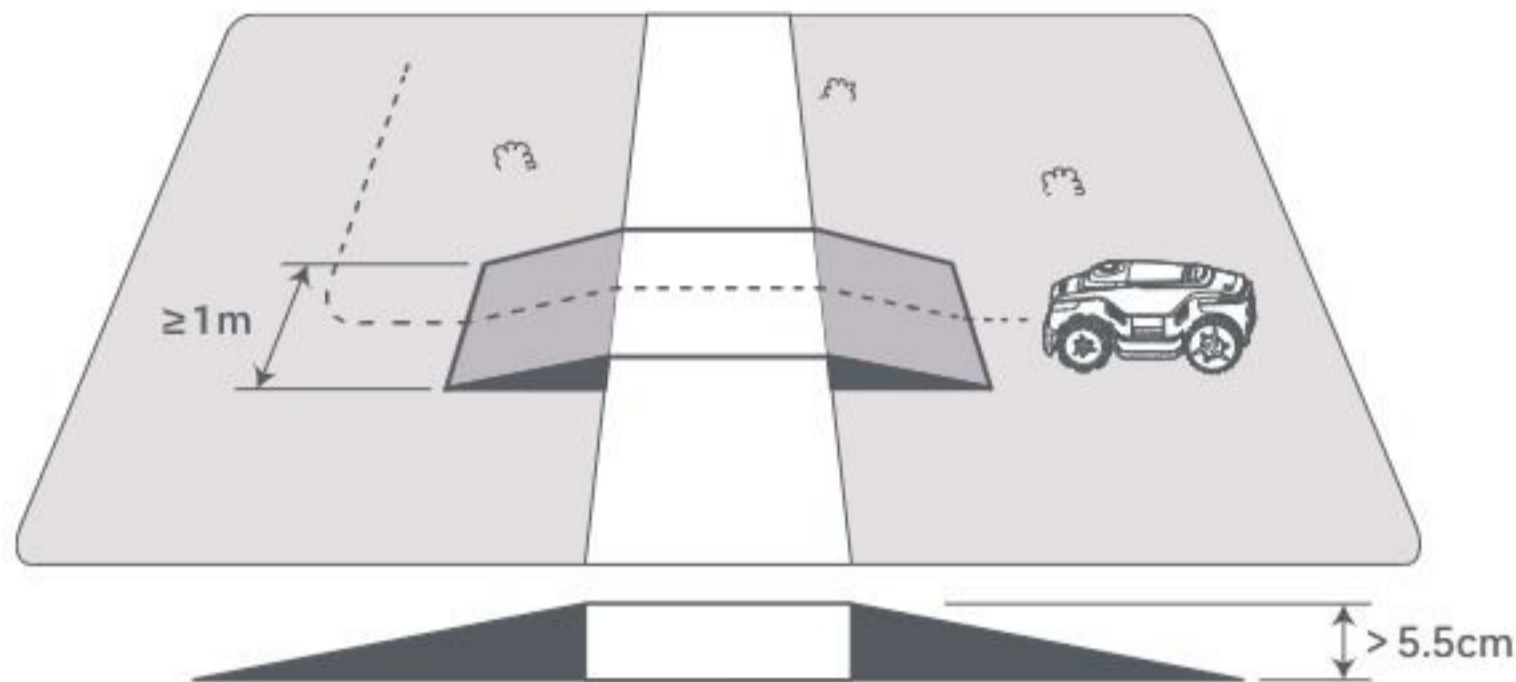
Um eine Zone in kleinere aufzuteilen oder in der App geteilte Zonen zu einer größeren zusammenzufassen, tippen Sie in der App auf  > **Kartenbearbeitung** > **Zonen-Einstellungen** und dort auf **Trennen** oder **Kombinieren**.

5.4 Pfad festlegen

Erstellen Sie bei voneinander getrennten Zonen bitte einen Pfad, um sie zu verbinden. Voneinander getrennte Bereiche ohne Verbindungspfad sind für den Roboter unzugänglich.

Hinweis: Standardmäßig wird der Pfad vom Roboter nicht gemäht, sondern nur befahren.

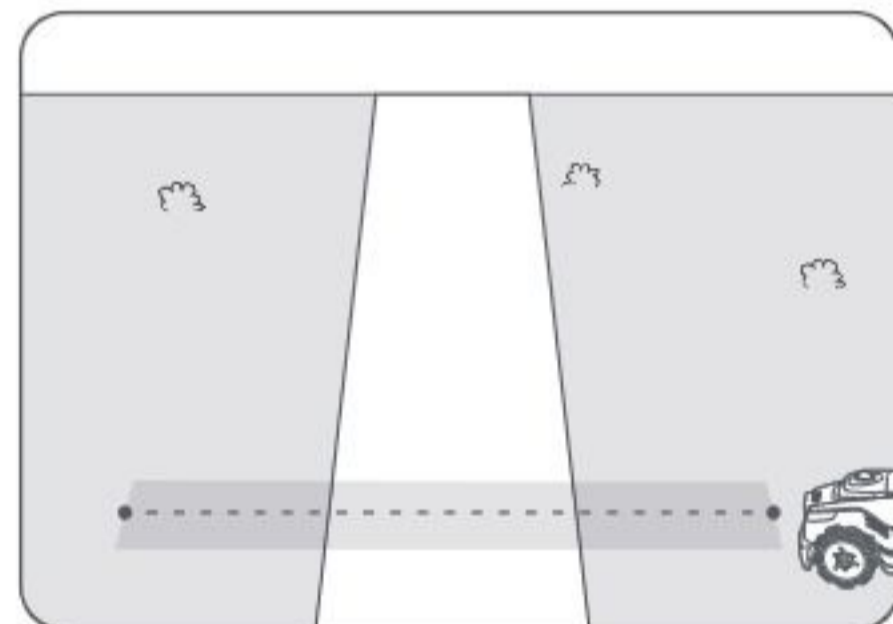
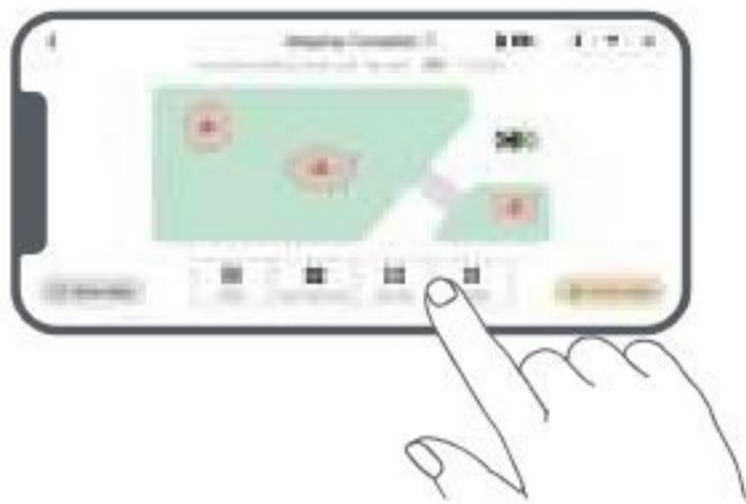
Wichtig: Wenn Ihr Rasen von Passagen mit einer Höhe über **5,5 cm** geteilt wird, stellen Sie ein entsprechend geneigtes Objekt auf (z. B. eine Rampe).



- **Zwei getrennte Arbeitsbereiche verbinden**

Zwischen getrennten Bereichen müssen Verbindungswege erstellt werden, da sie sonst für den Roboter nicht zugänglich sind. Tippen Sie auf **Pfad festlegen**, um einen Pfad zu erstellen.

Wichtig: Achten Sie darauf, dass Anfang und Ende des Pfades im Arbeitsbereich liegen.

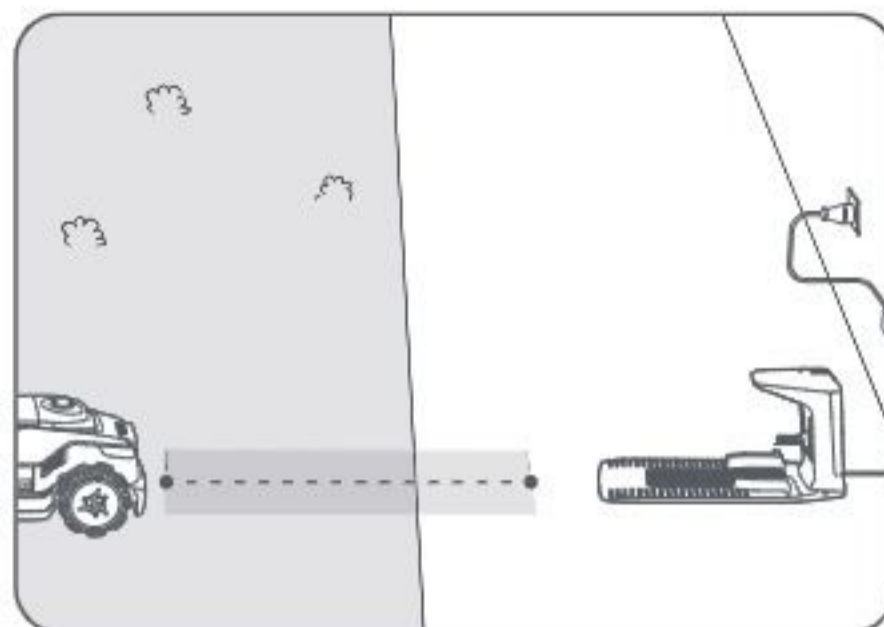
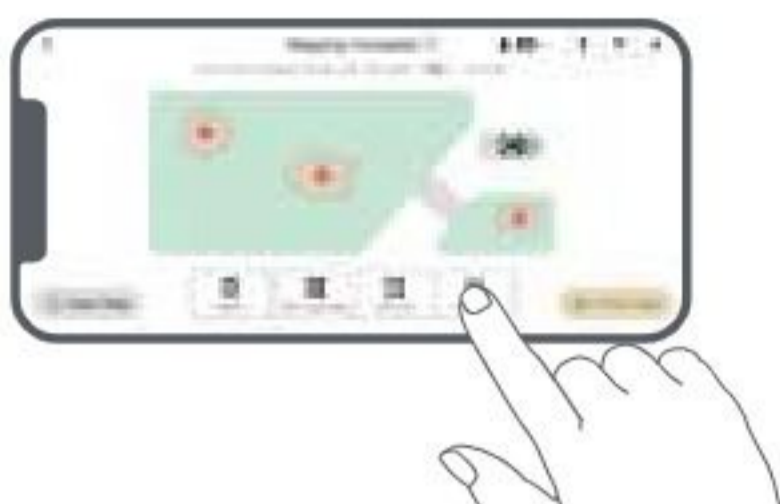


- **Arbeitsbereich und Ladestation verbinden**

Befindet sich die Ladestation nicht im Arbeitsbereich, ist ein entsprechender Verbindungspfad festzulegen. Tippen Sie auf **Pfad festlegen**, um einen Pfad zu erstellen, auf dem der Roboter zur Ladestation zurückkehren kann.

Wichtig: Achten Sie darauf, dass sich ein Ende des Pfades im Arbeitsbereich und das andere Ende direkt vor der Ladestation befindet. Es empfiehlt sich, den Weg auf die Ladestation auszurichten.

Wichtig: Wenn Sie Verbindungspfade zwischen Arbeitsbereich und Ladestation festlegen, darf der Roboter nicht ferngesteuert an die Ladestation andockt werden. Anderenfalls kann das LiDAR blockiert werden und die Kartenerstellung fehlschlagen.



5.5 Karte fertigstellen

Tippen Sie auf **Karte fertigstellen**, wenn Sie mit der Erstellung von Arbeitsbereichen, Pfaden und Sperrzonen fertig sind.



5.6 Zweite Karte hinzufügen

Wenn vorderer und hinterer Gartenbereich nicht mit einem Pfad verbunden sind, können Sie eine zweite Karte erstellen. Tippen Sie nach Fertigstellung der ersten Karte auf **Karte hinzufügen**, um mit der Erstellung der zweiten Karte fortzufahren. Oder Sie navigieren nach Abschluss der Kartenerstellung zu > **Kartenbearbeitung** und tippen dort auf **Karte hinzufügen**. Nach Fertigstellung der zweiten Karte können Sie über > **Kartenbearbeitung** zwischen den Karten wechseln.

Hinweis: Nach einem Wechsel der Karte werden die Zeitpläne und Mäheinstellungen für die aktuelle Karte übernommen.

Hinweis: Für eine bequemere Nutzung können Sie eine zusätzliche Ladestation erwerben und im zweiten Kartenbereich aufstellen. Mit einer zusätzlichen Ladestation im zweiten Kartenbereich brauchen Sie nur den Roboter manuell zwischen den beiden Bereichen zu versetzen.

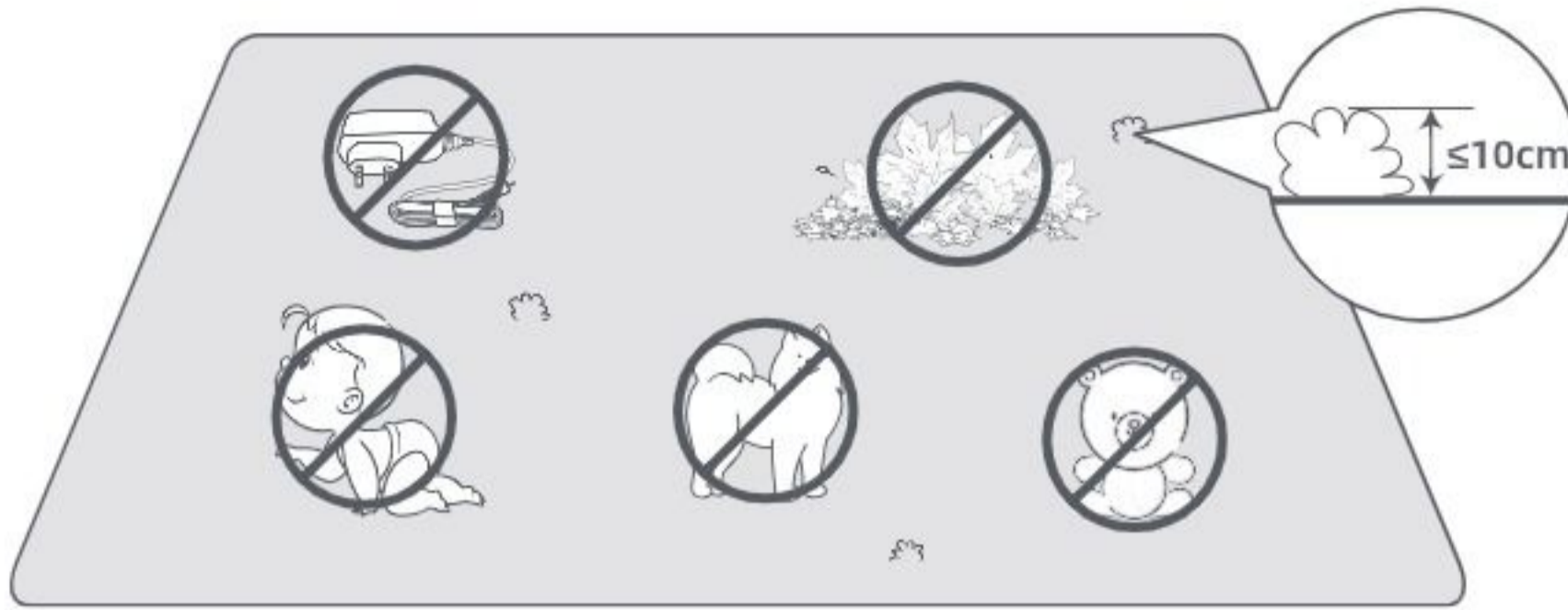


6 Bedienung

6.1 Zum ersten Mal mähen

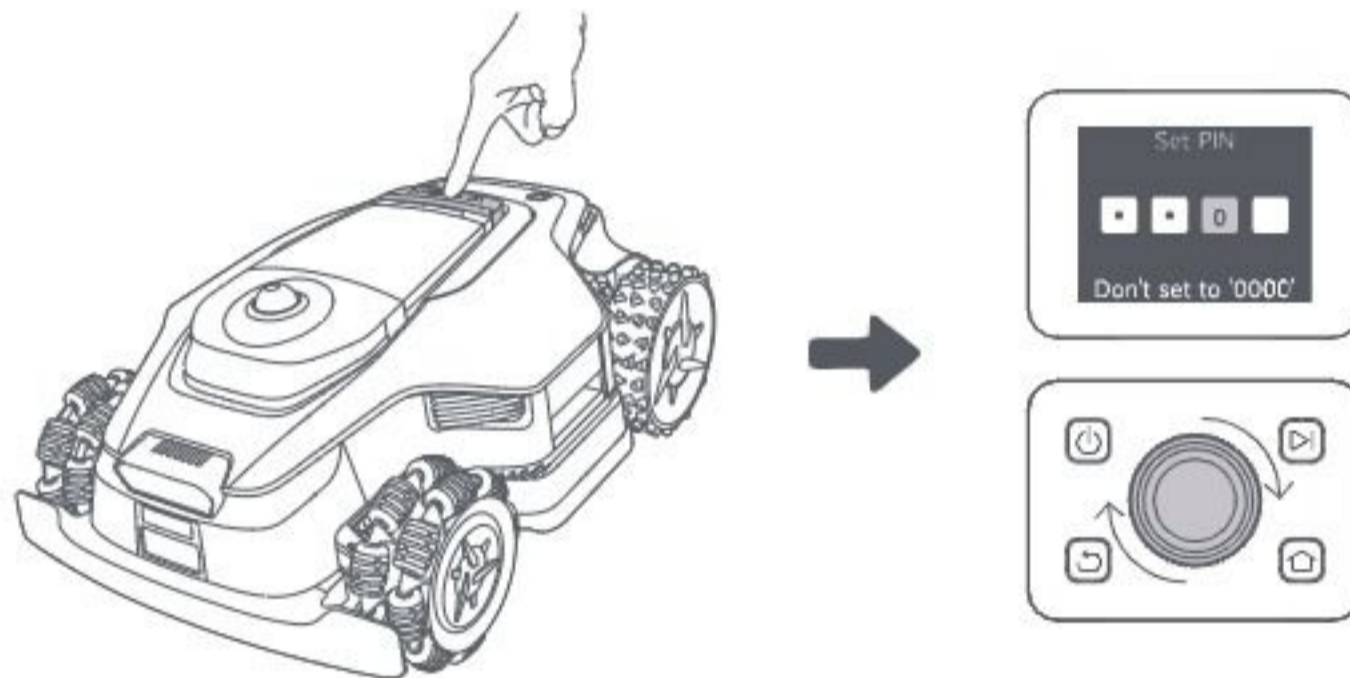
Tipps vor dem Mähen:

- Kürzen Sie das Gras mit einem herkömmlichen Rasenmäher auf eine Höhe von max. 10 cm.
- Entfernen Sie Hindernisse vom Rasen (z. B. Schutt, Laubhaufen, Spielzeug, Kabel oder Steine). Stellen Sie sicher, dass sich keine Kinder oder Haustiere im Arbeitsbereich befinden, wenn der Roboter den Rasen mäht.
- Füllen Sie eventuelle Löcher im Rasen auf.
- Stellen Sie Ihre Mähpräferenzen vorab in der App ein (wie z. B. Mäh-Effizienz, Mähhöhe und Mährichtung).
- Karte des Gartens erstellen.



a) Start über das Bedienfeld

1. Drücken Sie die **Stoptaste**, öffnen Sie die obere Abdeckung an und geben Sie den PIN-Code ein.



2. Wählen Sie auf dem Display „Mähmodi“ aus und drücken Sie den Drehschalter.



3. Wählen Sie durch Drehen des Drehschalters den gewünschten Mähmodus aus.



4. Drücken Sie die Taste **▶** und **schließen Sie dann innerhalb von 5 Sekunden die obere Abdeckung**. Der Roboter verlässt die Ladestation und beginnt mit dem Gesamtflächen-Mähen. Sie können den Mähvorgang auch starten, indem Sie in der App auf **Starten** tippen.



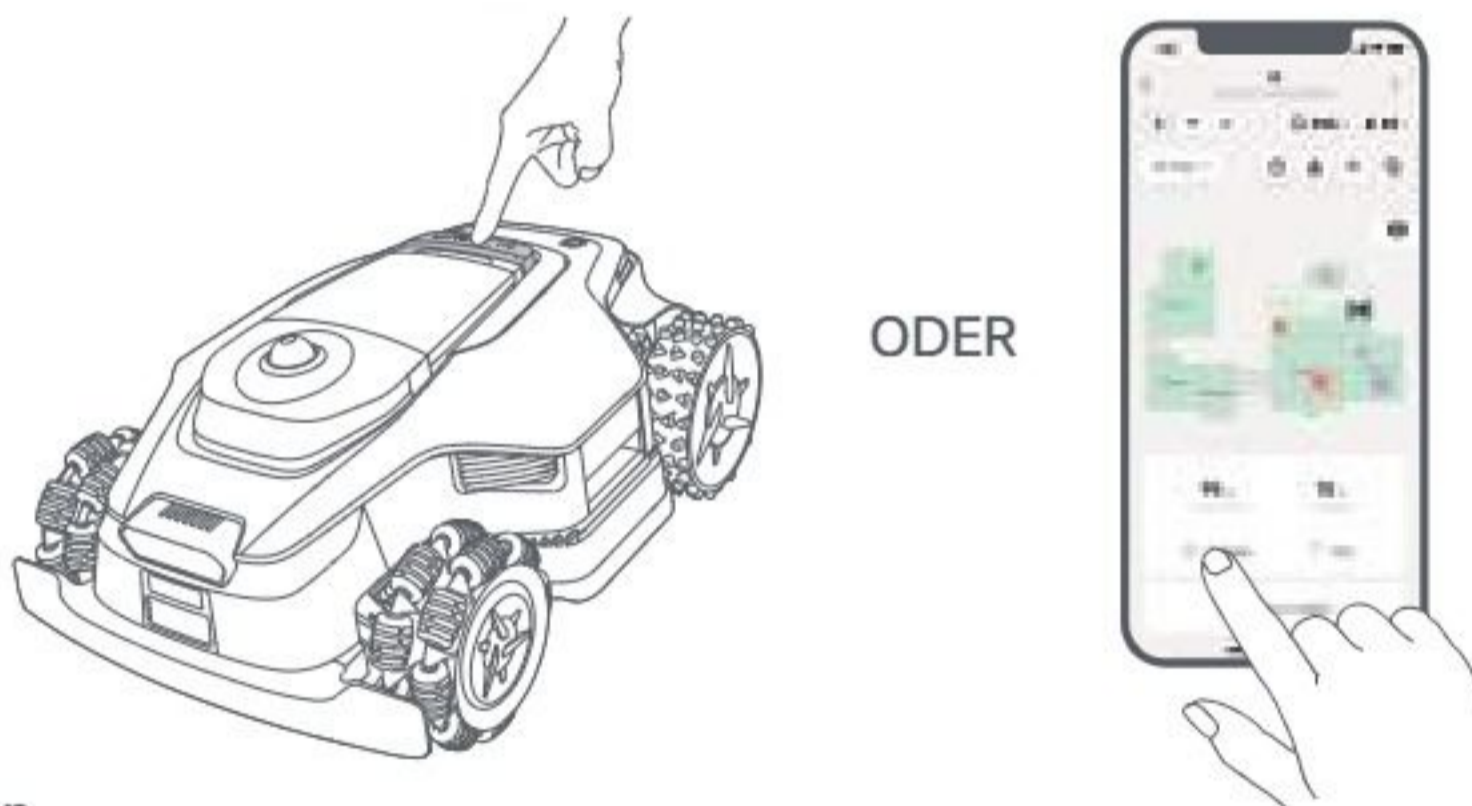
b) Start über die App

1. Öffnen Sie die App.
2. Wählen Sie den gewünschten Mähmodus aus und tippen Sie auf **Starten**, um mit dem Mähen zu beginnen.

6.2 Pause

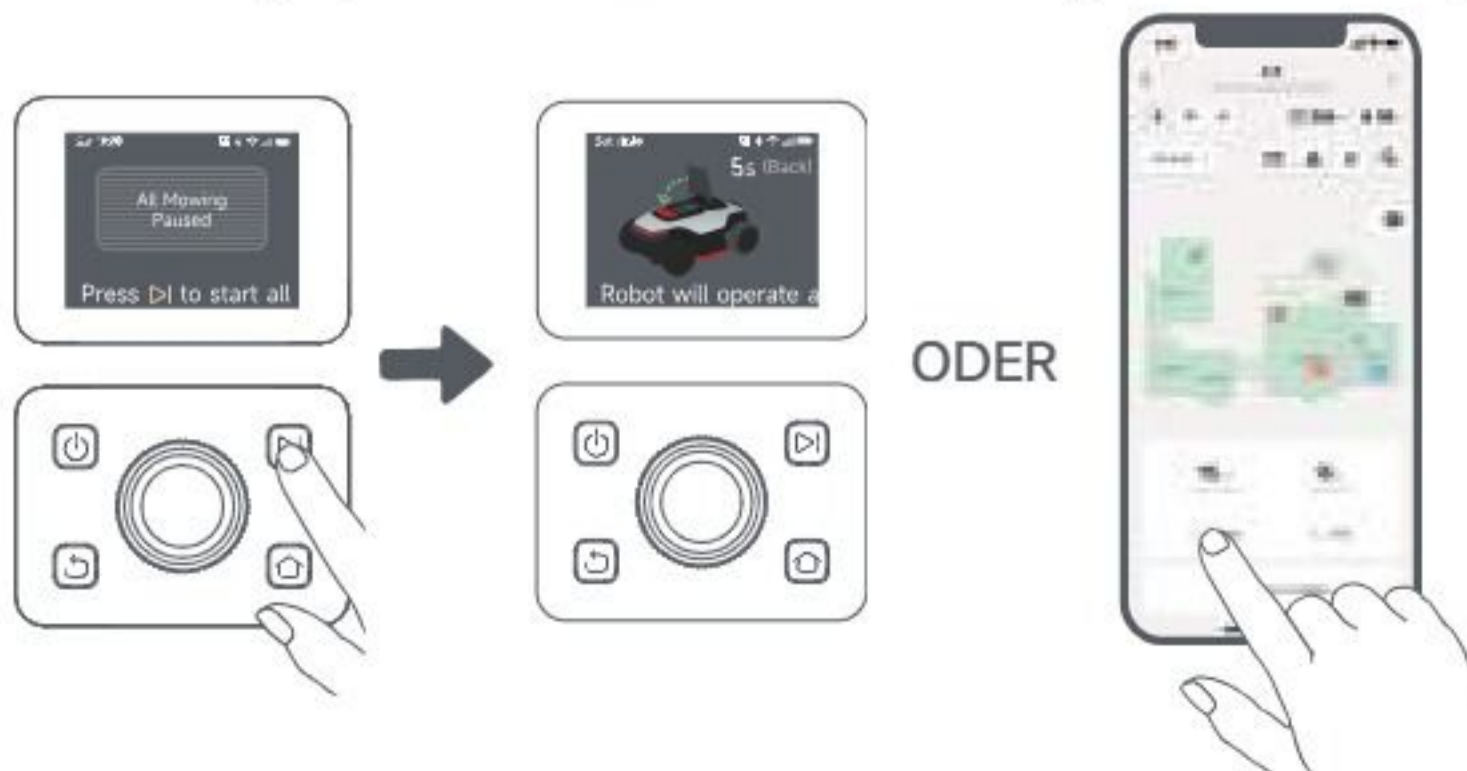
Sie können den aktuellen Mähvorgang unterbrechen, indem Sie die **Stopptaste** am Roboter drücken oder in der App auf **Pause** tippen.

Hinweis: Nach dem Drücken der **Stopptaste** kann der Roboter nicht direkt über die App gestartet werden. Geben Sie am Bedienfeld Ihren PIN-Code ein, um den Betrieb fortzusetzen.



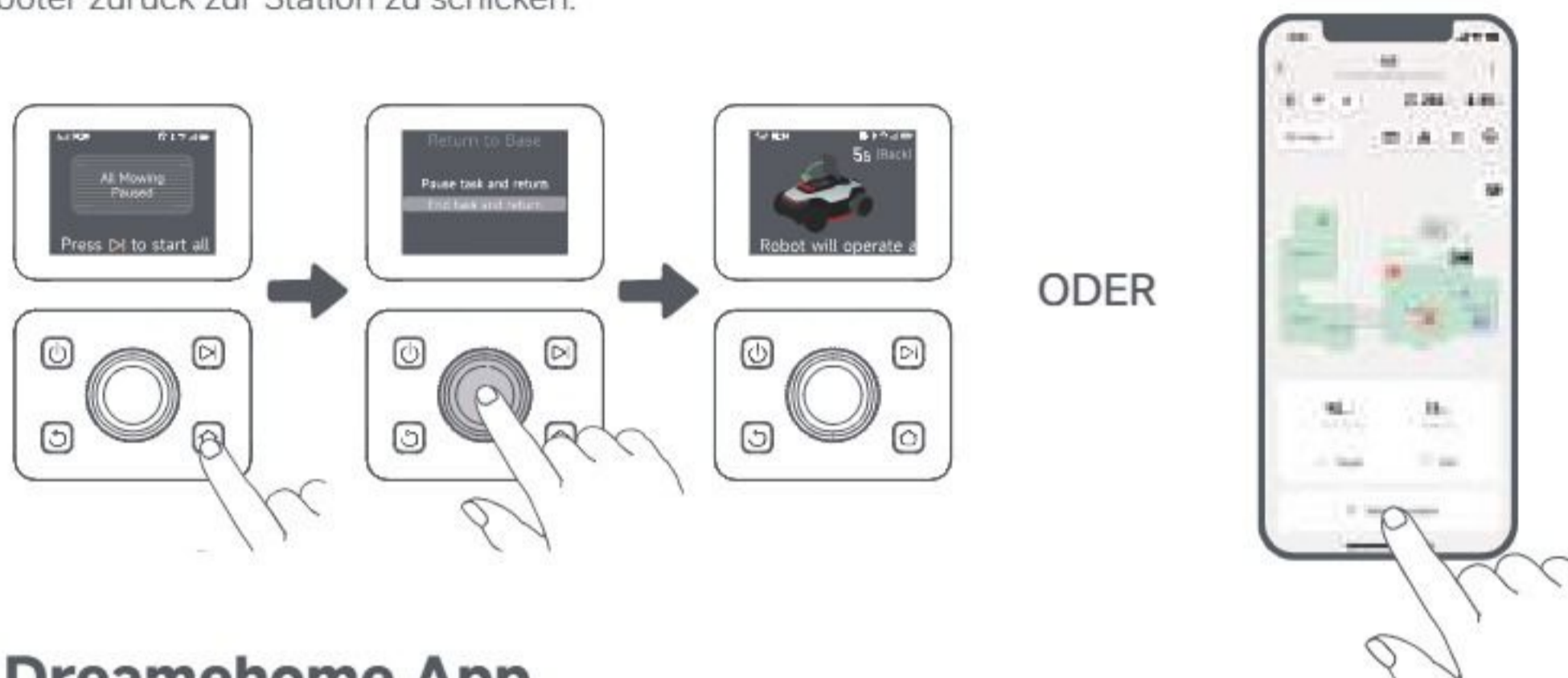
6.3 Fortsetzen

Um die Aufgabe nach dem Anhalten des Roboters fortzusetzen, drücken Sie die Taste **▶** und **schließen Sie innerhalb von 5 Sekunden die obere Abdeckung**. Der Roboter setzt die vorherige Mäh Aufgabe fort. Alternativ können Sie den Mähvorgang auch fortsetzen, indem Sie in der App auf **Fortsetzen** tippen.



6.4 Zur Ladestation zurückkehren

Sie lassen den Roboter zur Ladestation zurückkehren, indem Sie am Bedienfeld auf  drücken. Wählen Sie aus, ob die aktuelle Aufgabe angehalten oder abgebrochen werden soll und **schließen Sie dann innerhalb von 5 Sekunden die obere Abdeckung**. Der Roboter kehrt zum Aufladen automatisch zur Ladestation zurück. Alternativ können Sie auch in der App **Rückkehr zur Basisstation starten** auswählen, um den Roboter zurück zur Station zu schicken.



7 Dreamehome App

Wo Sie weitere Funktionen finden


Die Dreamehome-App ist so viel mehr als eine Fernbedienung. In der App stehen Ihnen zahlreiche Funktionen zur Verfügung: ferngesteuert verschiedene Einstellungen vornehmen, unterschiedliche Mähmodi ausprobieren, die Karte frei bearbeiten und Mähpläne anpassen.

7.1 Mähmodi

Der Roboter bietet mehrere Mähmodi. In der App können Sie zwischen den folgenden Modi wechseln: Gesamtflächen-Mähen, Zonenmähen, Randmähen, Punktueller Mähen und Manueller Modus.

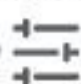


7.2 Mähformen

Verleihen Sie Ihrem Rasen das gewisse Etwas, indem Sie in der App über  > **Kartenbearbeitung** > **Formen** Formen hinzufügen. Definierte Formen werden in allen Mähmodi vom Mähen ausgeschlossen. Unter **Formen** können Sie ihre Position und Größe ändern oder sie entfernen.



7.3 Schneidsystem EdgeMaster™ 2.0

Mit der EdgeMaster™ 2.0-Technologie können sich die Scheiben beim Mähen Ihres Rasenrands nach außen ausdehnen und gewährleisten so einen Scheiben-Kanten-Abstand von weniger als 3 cm für gründliches und präzises Kantenschneiden. Diese Funktion maximiert die Abdeckung und lässt Ihren Rasen besonders schön aussehen. Wählen Sie hierfür in der App  > **Einstellungen für das Randmähen** > **EdgeMaster™** aus.



7.4 Zeitplan

Nach Fertigstellung der ersten Karte erstellt der Roboter entsprechend der Rasengröße automatisch zwei wöchentliche Zeitpläne: **Frühling&Sommer Zeitplan** und **Herbst&Winter Zeitplan**. Unter  in der App können Sie detaillierte Einstellungen zum Zeitplan vornehmen. Mit der Funktion Zeitplan können Sie die tägliche Mäharbeit vollständig dem Roboter überlassen. Sie brauchen sich nur noch um die regelmäßige Wartung des Roboters zu kümmern.

Hinweis: Wenn Sie um Ihre oder die Ruhe Ihrer Nachbarn fürchten, wenn der Roboter zu bestimmten Zeiten autonom arbeitet, können Sie in der App unter **Einstellungen** > **Bitte nicht stören** einstellen, zu welchen Ruhezeiten **Bitte nicht stören** gelten soll.



7.5 Kindersicherung

Wenn Sie befürchten, dass Kinder den Roboter bedienen könnten, aktivieren Sie unter **Einstellungen** in der App die **Kindersicherung**. Bei Aktivierung dieser Funktion wird der Roboter gesperrt, wenn bei geöffneter Abdeckung 5 Minuten lang keine Aktivität erfolgt.



7.6 Regenschutz

Wenn Sie befürchten, dass widrige Wetterbedingungen die Mäharbeiten beeinträchtigen könnten, aktivieren Sie in den **Einstellungen** am Bedienfeld oder in der App die Funktion **Regenschutz**. Wenn diese Funktion aktiviert ist, unterbricht der Roboter bei Regen automatisch den Mähvorgang und kehrt zur Ladestation zurück. In der App können Sie einstellen, wie lange der Regenschutz aktiviert sein soll.

Hinweis: Das Mähen von nassem Gras kann Ihren Rasen beschädigen. Es empfiehlt sich, die Funktion für einen längeren Zeitraum zu aktivieren, damit das Gras vor dem erneuten Mähen abtrocknen kann.



7.7 Frostschutz

Bei Temperaturen unter **6 °C** kann das Mähen den Rasen dauerhaft schädigen. In diesem Fall wird der Akku aus Sicherheitsgründen nicht aufgeladen. Um dies zu verhindern, können Sie in den **Einstellungen** am Bedienfeld oder in der App die Funktion **Frostschutz** aktivieren. Mit dieser Einstellung wird das Mähen automatisch unterbrochen und der Roboter zur Ladestation zurückgeschickt, wenn die Temperatur unter **6 °C** fällt. Sobald die Temperatur über **11 °C** steigt, nimmt der Roboter das Mähen wieder auf.



7.8 Sicherheitsfunktionen

Der Roboter verfügt über mehrere Diebstahlschutzfunktionen, die durch das integrierte GPS für ein besonders hohes Maß an Sicherheit sorgen. Da die Frontkamera außerdem Personen erkennen kann, dient der Roboter auch als effektiver Gartenwächter.



7.8.1 Hebealarm

Wenn diese Funktion aktiviert ist, löst das Anheben des Roboters sofort einen Alarm und die Sperrung des Roboters aus. Um den Betrieb wieder aufzunehmen, geben Sie zunächst am Roboter den PIN-Code ein.



7.8.2 Alarm bei Verlassen der Karte

Bei Aktivierung dieser Funktion wird der Roboter sofort gesperrt und ein Alarm ausgelöst, wenn dieser den Kartenbereich verlässt.



7.8.3 Standort in Echtzeit

Bei Aktivierung dieser Funktion können Sie den aktuellen Standort des Roboters in Google Maps anzeigen.




7.8.4 Alarm zur Erkennung menschlicher Anwesenheit

Bei Aktivierung dieser Funktion werden Sie vom Roboter benachrichtigt, wenn er anwesende Personen erkennt.




7.8.5 Echtzeit-Video

Tippen Sie auf , um das Live-Video der Frontkamera des Roboters anzuzeigen, mit dem Sie Ihren Garten jederzeit und überall im Auge behalten.



7.8.6 Patrouille

Wenn sich der Roboter im Standby-Modus befindet, können Sie ihn über die App auf Patrouille zu bestimmten Begrenzungen oder Bereichen in Ihrem Garten schicken. Sie finden diese Funktion unter  > **Patrouille**.



7.9 Benutzerdefinierte Ladezeit

Sie können für den Roboter bestimmte Ladezeiten festlegen, indem Sie unter **Einstellungen > Aufladen** in der App die Funktion **Benutzerdefinierte Ladezeit** aktivieren. Wenn diese Funktion aktiviert ist und keine Mähaufgaben anstehen, lädt der Roboter den Akku bei niedrigem Akkustand auf 20 % auf. Eine volle Aufladung erfolgt dann erst während der festgelegten Ladezeit. Unter **Batteriestand für automatisches Aufladen** und **Batteriestand für die Wiederaufnahme der Aufgaben** können Sie außerdem einstellen, bei welchem Ladestand der Roboter automatisch zur Ladestation zurückkehrt oder unvollendete Mähaufgaben wieder aufnimmt.



Hinweis: Das Dreame-Entwicklungsteam führt laufend **OTA-Updates (Over-the-Air-Updates)** und Wartungsmaßnahmen an Firmware und App durch. Achten Sie bitte auf Update-Benachrichtigungen oder aktivieren Sie die Funktion **Auto-Updates**, um Firmware und App auf dem neuesten Stand zu halten und weitere Funktionen zu nutzen.

8 Wartung

Um Leistung und Lebensdauer des Roboters zu optimieren, reinigen Sie ihn bitte regelmäßig und tauschen Sie abgenutzte Teile in den folgenden Intervallen aus:

Teil	Austauschintervall
Messer	mind. alle 6–8 Wochen

Hinweis: Unter **Einstellungen > Verbrauchsmaterialien & Wartung** können Sie die verbleibende Nutzungsdauer der Messer überprüfen. Rufen Sie nach dem Austausch eines Verbrauchsmaterials nach entsprechender Aufforderung dessen Detailseite auf und tippen Sie auf **Ausgetauscht**, um den Timer zurückzusetzen.

Hinweis: Wenn Sie bestimmte Bereiche in Ihrem Garten für die regelmäßige Reinigung und Wartung des Roboters vorgesehen haben, können Sie unter **Einstellungen > Gehe zu Wartungspunkt > Punkt bearbeiten** Wartungspunkte auf der Karte festlegen. Sobald die Wartungspunkte festgelegt sind, tippen Sie einfach auf „Los“, um den Roboter zu den vorgesehenen Stellen zu schicken.

8.1 Reinigung

Reinigen Sie Ihren Roboter regelmäßig, um zu verhindern, dass sich Grasreste und Schmutz ansammeln und die Messerscheibe und Antriebsräder verstopfen, was die Mäh-, Andock- und Bewegungsleistung beeinträchtigen kann. Wir empfehlen die Verwendung eines Reinigungssets, das in lokalen Geschäften oder online erhältlich ist.

⚠️ Warnung: Schalten Sie den Roboter vor der Reinigung aus und ziehen Sie den Stecker der Ladestation ab.

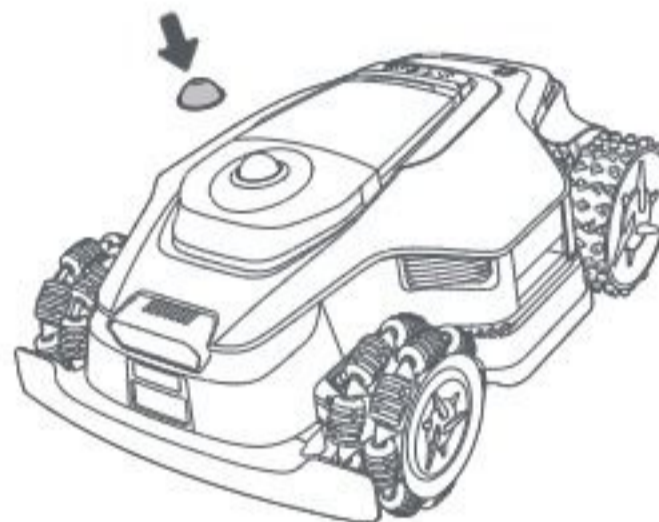
Vorsicht: Kontrollieren Sie vor dem Umdrehen des Roboters, dass das LiDAR mit der LiDAR-Schutzabdeckung geschützt ist, um Schäden zu vermeiden.

- Gehäuse, Fahrwerk und Messerscheibe:

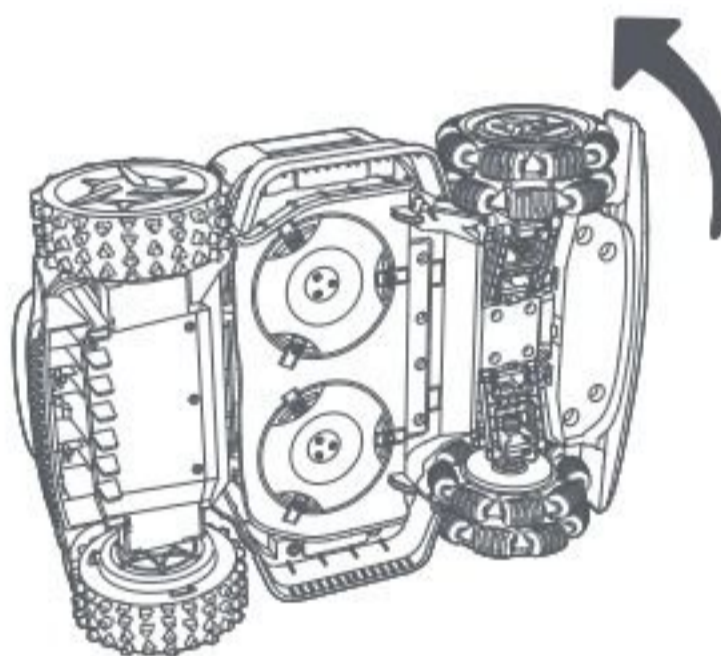
1. Schalten Sie den Roboter aus.



2. Decken Sie das LiDAR mit der zugehörigen Schutzabdeckung ab.



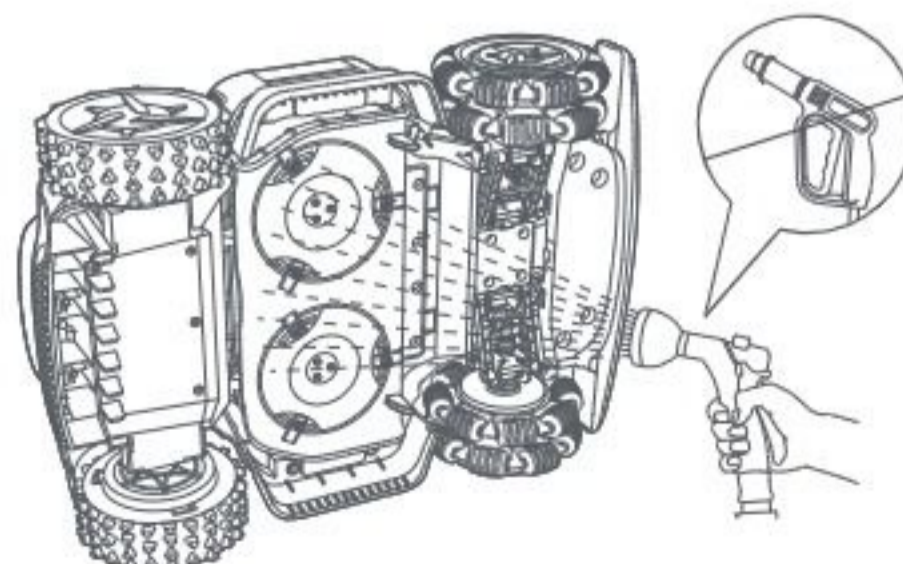
3. Stellen Sie den Roboter auf die Seite.



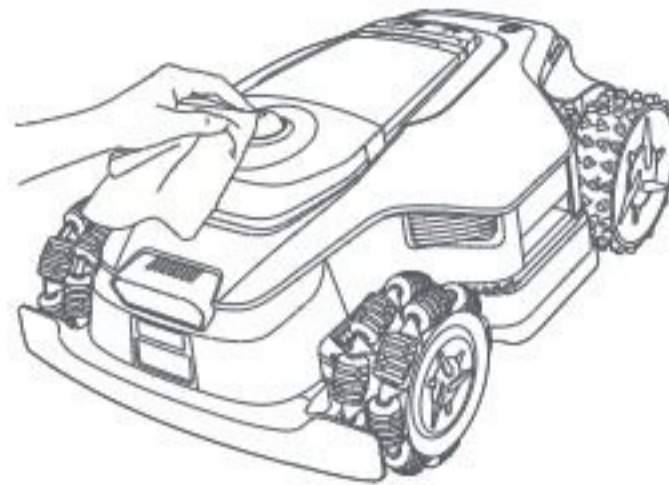
4. Reinigen Sie Gehäuse, Messerscheibe und Fahrwerk mit einem Schlauch.

⚠️ Warnung: Berühren Sie beim Reinigen des Gehäuses nicht die Messer. Tragen Sie bei der Reinigung Handschuhe.

Vorsicht: Verwenden Sie zur Reinigung keinen Hochdruckreiniger. Verwenden Sie zur Reinigung keine Reinigungsmittel.

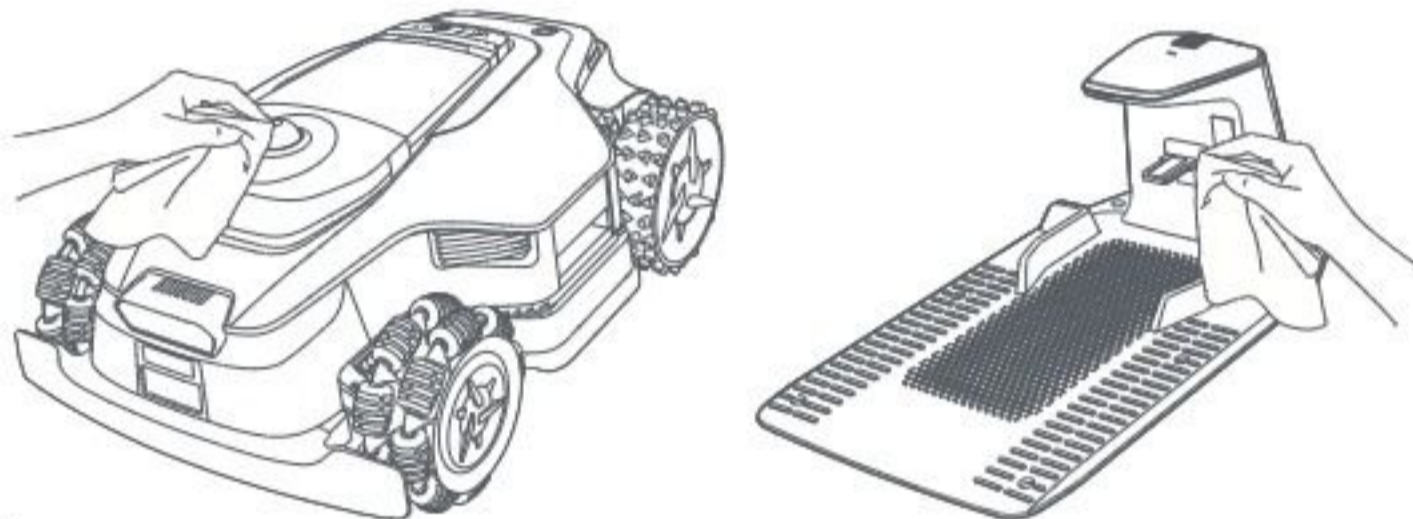


5. Reinigen Sie den LiDAR-Sensor vorsichtig mit einem fusselfreien Tuch.



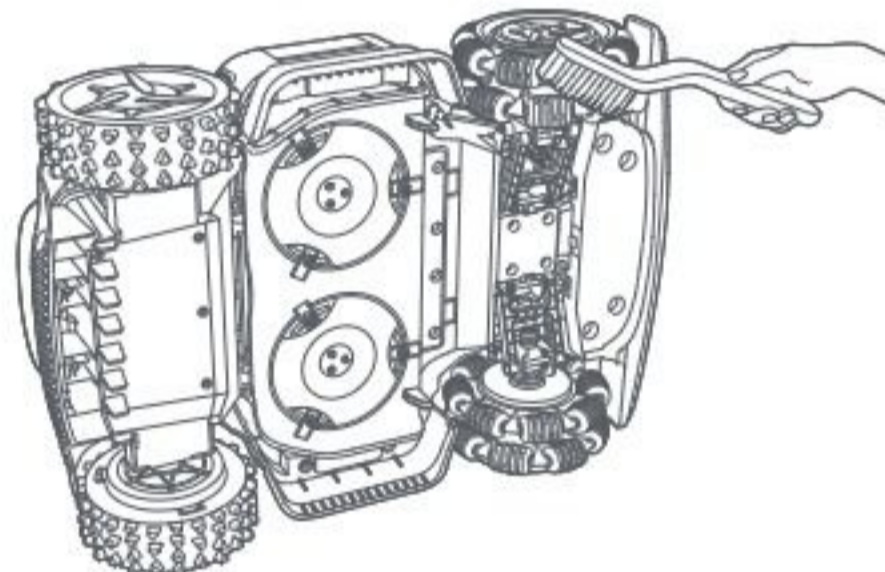
- **Ladekontakte und Frontkamera:**

Wischen Sie die Ladekontakte von Roboter und Ladestation sowie die Frontkamera mit einem sauberen Tuch ab. Halten Sie Ladekontakte und Frontkamera nach der Reinigung trocken.



- **Antriebsräder:**

Entfernen Sie Schlamm mit einer Bürste von den Rädern, um eine gute Haftung zu gewährleisten.



8.2 Austausch von Komponenten

- **Austausch der Messer**

Um stets einen scharfen Schnitt zu gewährleisten, sollten Sie die Messer regelmäßig austauschen. Es empfiehlt sich, die Messer mind. alle **6-8 Wochen** zu ersetzen. Verwenden Sie bitte nur Originalmesser von Dreame (MBKA10/MQBA10).

⚠️ Warnung: Schalten Sie den Roboter aus. Tragen Sie zum Austauschen der Messer Schutzhandschuhe.
Hinweis: Tauschen Sie alle drei Messer gleichzeitig aus, um ein gleichmäßiges Schneidsystem zu gewährleisten.

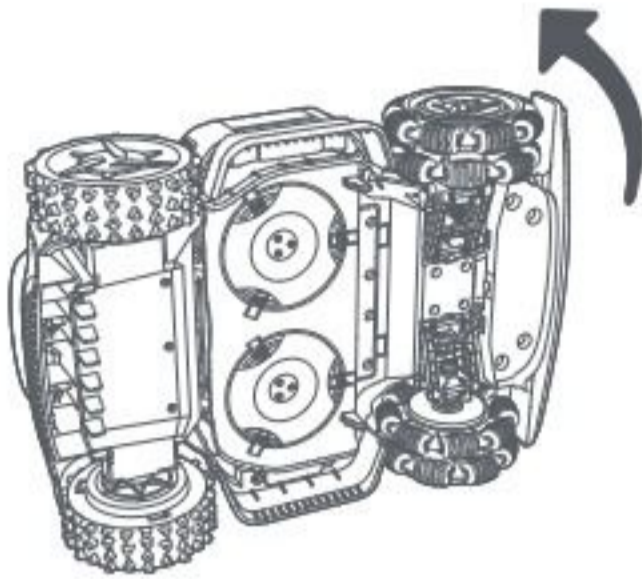
1. Schalten Sie den Roboter aus.



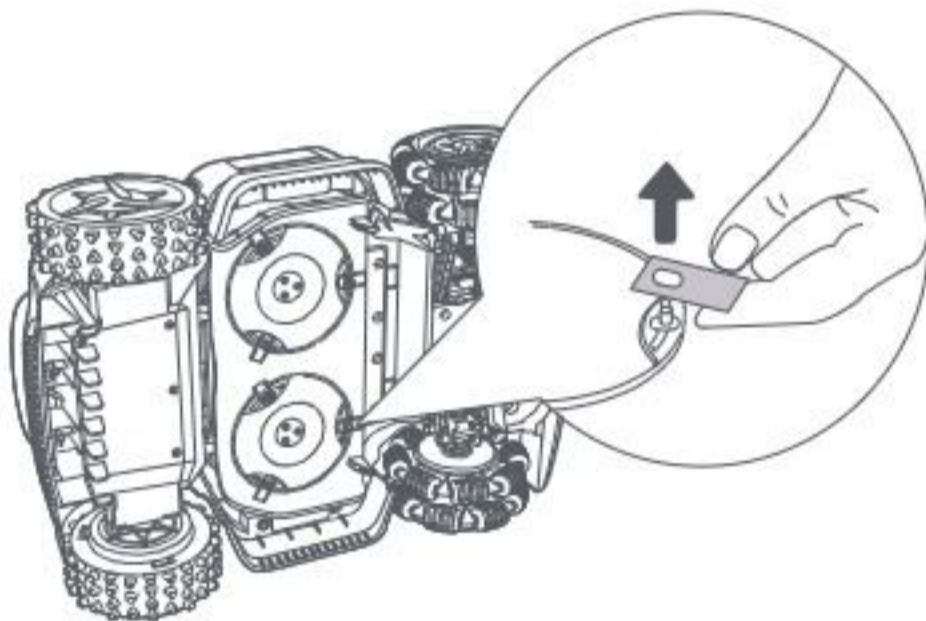
2. Decken Sie das LiDAR mit der zugehörigen Schutzabdeckung ab.



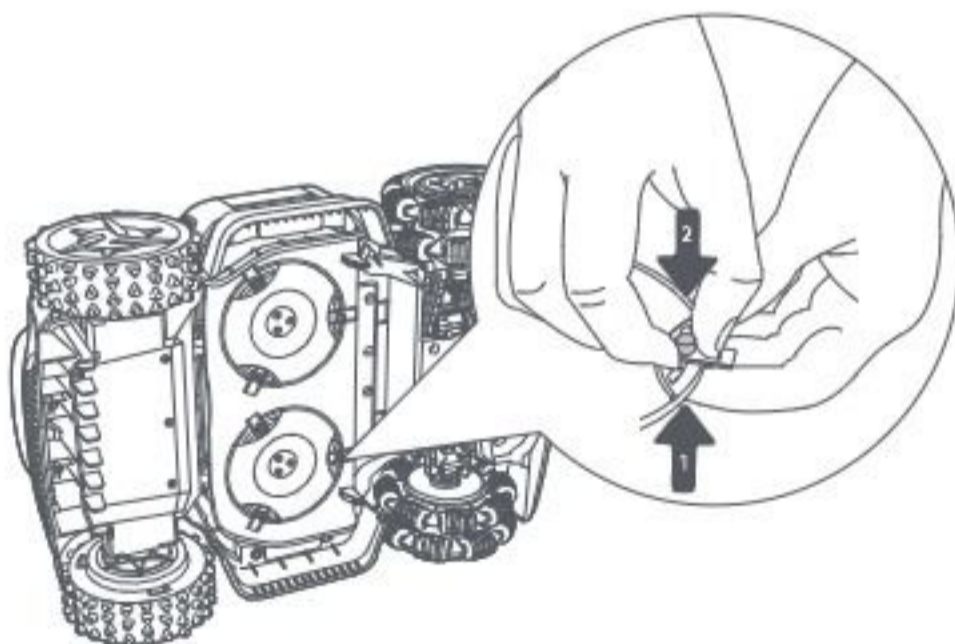
3. Stellen Sie den Roboter auf eine weiche Unterlage und drehen Sie ihn auf die Seite.



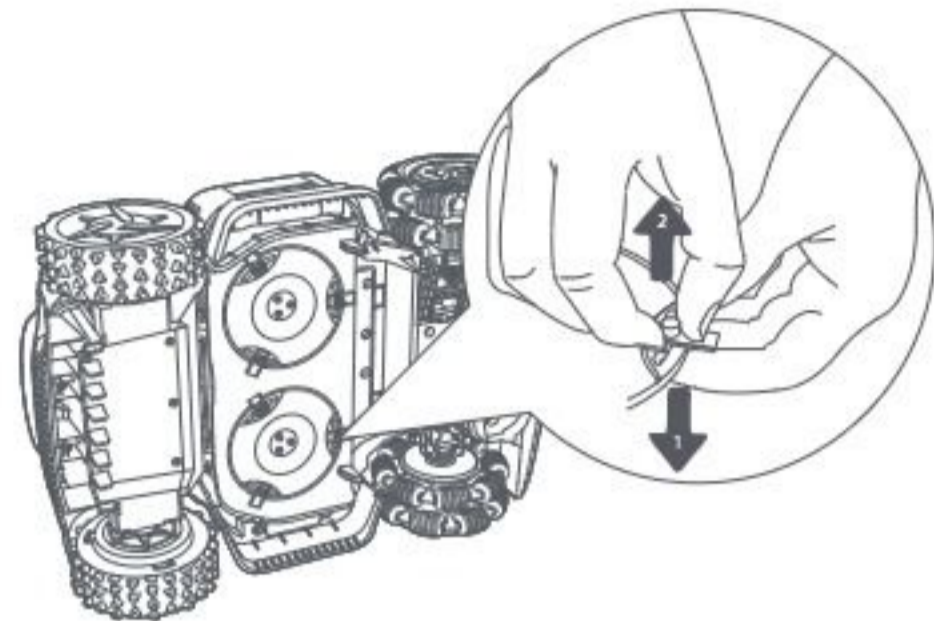
5. Entfernen Sie das Messer, indem Sie das Loch im Messer an der Welle ausrichten.



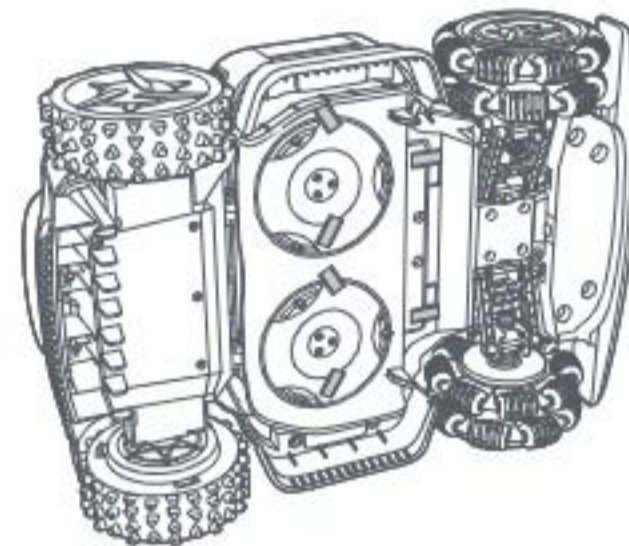
7. Drücken Sie die Taste unter der Messerscheibe und richten Sie das Loch im Halter an der Welle aus, um Halter und Messer zu befestigen.



4. Entfernen Sie den Halter, indem Sie die Taste unter der Messerscheibe drücken.



6. Die 3 Klingen und Halter entfernen.



8. Stellen Sie sicher, dass die Messer frei rotieren können.




9 Akku

Bei langfristiger Lagerung sollten Sie den Roboter alle **6 Monate** aufladen, um ihn vor Schäden zu schützen. Akkus Schäden, die auf eine übermäßige Entladung zurückgehen, fallen nicht unter die beschränkte Garantie. Laden Sie den Akku nicht bei einer Umgebungstemperatur **über 45 °C** oder **unter 6 °C**. Für eine langfristige Lagerung des Akkus sollte die Temperatur zwischen -10 und 35 °C liegen. Um das Schadensrisiko zu minimieren, empfiehlt sich für den Akku eine Lagertemperatur zwischen **0 und 25 °C**.

Hinweis: Die Lebensdauer des Roboterakkus hängt von der Nutzungshäufigkeit und den Betriebsstunden ab. Ein beschädigter oder nicht mehr aufladbarer Akku darf nicht einfach im normalen Hausmüll entsorgt werden. Beachten Sie bitte die vor Ort geltenden Recyclingvorschriften.

Energiesparender Lademodus:

Wenn der energiesparende Lademodus aktiviert ist, werden nicht mit dem Laden zusammenhängende Funktionen deaktiviert (Display und Netzwerk werden ausgeschaltet).

- Sie aktivieren den energiesparenden Lademodus, indem Sie die Tasten  und  parallel gedrückt halten und gleichzeitig 5 Mal schnell hintereinander die Taste  drücken. Daraufhin hören Sie die Sprachansage: Der energiesparende Lademodus ist aktiviert.
- Um den energiesparenden Lademodus zu deaktivieren, starten Sie den Roboter neu oder drücken Sie 5 Mal schnell hintereinander die Taste .

10 Winteraufbewahrung

• Roboter

1. Laden Sie den Akku vollständig auf, bevor Sie den Roboter ausschalten.
2. Reinigen Sie den Roboter gründlich, bevor Sie ihn für den Winter einlagern.
3. Bringen Sie die LiDAR-Schutzabdeckung an.
4. Lagern Sie den Roboter in einem trockenen Innenraum bei Temperaturen **über 0 °C**.

• Ladestation

Ziehen Sie den Stecker der Ladestation von der Steckdose ab und lagern Sie die Ladestation an einem trockenen und kühlen Ort, an dem sie vor direkter Sonneneinstrahlung geschützt ist.

Hinweis: Nach der Winteraufbewahrung stellen Sie die Ladestation wieder auf und setzen Sie den Roboter zum Aufladen hinein. Wenn Sie die Ladestation an einem anderen Ort wieder aufstellen, aktualisiert der Roboter automatisch den Standort der Station, sobald er aufgeladen ist und die Station verlässt. Wenn aufgrund größerer Veränderungen in Ihrem Garten Positionierungsfehler auftreten, empfiehlt sich eine erneute Kartierung des Geländes.

11 Transport

Achten Sie bei Langstreckentransporten darauf, dass der Roboter ausgeschaltet ist. Es empfiehlt sich, die Originalverpackung zu verwenden. Bringen Sie die LiDAR-Schutzabdeckung an.

 **Warnung:** Schalten Sie den Roboter vor dem Transport aus.

 **Warnung:** Heben Sie den Roboter am hinteren Griff an und halten Sie dabei die Messerscheibe von Ihrem Körper fern.

12 Fehlersuche

Problem	Ursache	Lösung
Der Roboter ist nicht mit der App verbunden.	<ol style="list-style-type: none"> 1. Der Roboter befindet sich außerhalb der WLAN-Signalabdeckung oder Bluetooth-Reichweite. 2. Der Roboter ist ausgeschaltet oder wird gerade neu gestartet. 	<ol style="list-style-type: none"> 1. Prüfen Sie, ob der Roboter den Einschaltvorgang abgeschlossen hat. 2. Prüfen Sie, ob der Router ordnungsgemäß funktioniert. 3. Gehen Sie näher an den Roboter heran, um eine Bluetooth-Verbindung herzustellen.
Roboter angehoben.	Nicht alle Räder stehen auf dem Boden.	<ol style="list-style-type: none"> 1. Stellen Sie den Roboter wieder auf flachen Boden. 2. Geben Sie den PIN-Code am Roboter ein und bestätigen Sie ihn. 3. Der Roboter kann nicht über Objekte fahren, die höher als 5,5 cm sind. Halten Sie den Boden im Arbeitsbereich des Roboters eben.
Roboter geneigt.	Der Roboter ist stärker als 37° geneigt.	<ol style="list-style-type: none"> 1. Stellen Sie den Roboter wieder auf flachen Boden. 2. Geben Sie den PIN-Code am Roboter ein und bestätigen Sie ihn. 3. Der Roboter kann keine Steigungen über 80 % (38°) überwinden.
Roboter eingeklemmt.	Der Roboter hat sich festgefahren und kann sich nicht befreien.	<ol style="list-style-type: none"> 1. Entfernen Sie die Hindernisse in der Umgebung und versuchen Sie es erneut. 2. Bewegen Sie den Roboter manuell an eine flache und offene Stelle innerhalb der Karte und starten Sie die Aufgabe erneut. Wenn das Problem weiterhin auftritt, versuchen Sie es erneut, nachdem der Roboter in der Ladestation ist. 3. Überprüfen Sie, ob Löcher im Boden vorhanden sind. Füllen Sie die Löcher vor dem Mähen auf, damit der Roboter sich nicht festfährt. 4. Prüfen Sie, ob das Gras in der Umgebung höher als 10 cm ist. Sie können die Höhe zur Vermeidung von Hindernissen anpassen oder das Gras im Voraus mit einem traditionellen Rasenmäher kürzen, damit der Roboter sich nicht festfährt. 5. Wenn der Roboter sich an dieser Stelle häufig festfährt, können Sie eine Sperrzone festlegen.
Störung an einem Rad (Vorder-/Hinterrad links/rechts).	Das Rad dreht sich nicht, oder es liegt ein Problem am Radmotor vor.	<ol style="list-style-type: none"> 1. Reinigen Sie die Hinterräder und versuchen Sie es erneut. 2. Wenn dieser Fehler weiterhin auftritt, starten Sie den Roboter neu. 3. Besteht das Problem weiterhin, wenden Sie sich bitte an den Kundendienst.

Problem	Ursache	Lösung
Die Messerscheibe kann sich nicht drehen.	Die Messerscheibe dreht sich nicht normal, oder es liegt ein Problem an ihrem Motor vor.	<ol style="list-style-type: none"> 1. Reinigen Sie die Messerscheibe und versuchen Sie es erneut. 2. Prüfen Sie, ob das Gras in der Umgebung höher als 10 cm ist. Sie können das Gras vorher mit einem herkömmlichen Rasenmäher kürzen, damit die Messerscheibe nicht durch hohes Gras blockiert wird. 3. Prüfen Sie, ob sich Wasser unter der Messerscheibe befindet. Sollte dies der Fall sein, bringen Sie den Roboter an einen trockenen Ort und versuchen Sie es erneut. 4. Wenn dieser Fehler weiterhin auftritt, starten Sie den Roboter neu. 5. Besteht das Problem weiterhin, wenden Sie sich bitte an den Kundendienst.
Die Messerscheibe kann sich nicht nach oben oder unten bewegen.	Die Messerscheibe kann sich nicht nach oben oder unten bewegen.	<ol style="list-style-type: none"> 1. Reinigen Sie die Messerscheibe und versuchen Sie es erneut. 2. Wenn dieser Fehler weiterhin auftritt, starten Sie den Roboter neu. 3. Besteht das Problem weiterhin, wenden Sie sich bitte an den Kundendienst.
Die Messerscheibe kann sich nicht zur Seite bewegen.	Die Messerscheibe kann sich nicht zur Seite bewegen.	<ol style="list-style-type: none"> 1. Reinigen Sie das Schneidsystem und entfernen Sie Schmutz und Fremdkörper. 2. Wenn der Fehler weiterhin auftritt, können Sie zunächst die EdgeMaster™-Funktion deaktivieren. 3. Besteht das Problem weiterhin, wenden Sie sich bitte an den Kundendienst.
Fehler an der Stoßstange.	Der Sensor an der vorderen Stoßstange wird permanent ausgelöst.	<ol style="list-style-type: none"> 1. Prüfen Sie, ob der Roboter sich festgefahren hat. 2. Klopfen Sie leicht auf die Stoßstange und kontrollieren Sie, dass sie zurückfedert. 3. Wenn dieser Fehler weiterhin auftritt, starten Sie den Roboter neu. 4. Besteht das Problem weiterhin, wenden Sie sich bitte an den Kundendienst.
Ladefehler.	Der Roboter dockt an die Ladestation an, aber es liegt ein Problem mit dem Ladestrom oder der Ladespannung vor.	<ol style="list-style-type: none"> 1. Prüfen Sie, ob die Ladestation richtig an die Stromversorgung angeschlossen ist. 2. Prüfen Sie, ob die Ladkontakte am Roboter und an der Ladestation sauber sind. 3. Versuchen Sie nach der Überprüfung, den Roboter erneut an die Ladestation anzudocken. 4. Besteht das Problem weiterhin, wenden Sie sich bitte an den Kundendienst.
Die Akkutemperatur ist zu hoch.	Die Akkutemperatur beträgt ≥ 60 °C.	<ol style="list-style-type: none"> 1. Verwenden Sie den Roboter nur bei Umgebungstemperaturen unter 40 °C. Sie können warten, bis die Akkutemperatur automatisch sinkt. 2. Sie können den Roboter ausschalten und nach einer Weile wieder einschalten. 3. Besteht das Problem weiterhin, wenden Sie sich bitte an den Kundendienst.

Problem	Ursache	Lösung
Die Akkutemperatur ist hoch.	Die Akkutemperatur beträgt ≥ 45 °C.	<ol style="list-style-type: none"> Der Ladevorgang kann fehlschlagen, wenn die Akkutemperatur über 45 °C liegt. Verwenden Sie den Roboter nur bei Umgebungstemperaturen unter 40 °C.
Die Akkutemperatur ist niedrig.	Die Akkutemperatur beträgt ≤ 6 °C.	<ol style="list-style-type: none"> Der Ladevorgang kann fehlschlagen, wenn die Akkutemperatur unter 6 °C liegt. Verwenden Sie den Roboter nur bei Umgebungstemperaturen über 6 °C.
LiDAR ist blockiert.	LiDAR ist blockiert (z. B): Die LiDAR-Schutzabdeckung wurde nicht entfernt.	<ol style="list-style-type: none"> Entfernen Sie die LiDAR-Schutzabdeckung und versuchen Sie es erneut. Wenn das LiDAR oben am Roboter stark verschmutzt ist, reinigen Sie es mit einem fusselfreien Tuch und versuchen Sie es erneut.
LiDAR-Fehlfunktion.	Das LiDAR ist stark verschmutzt, oder es liegt ein Sensorfehler vor.	<ol style="list-style-type: none"> Prüfen Sie, ob das LiDAR verschmutzt ist. Reinigen Sie es ggf. und versuchen Sie es dann erneut. Wenn dieser Fehler weiterhin auftritt, starten Sie den Roboter neu. Besteht das Problem weiterhin, wenden Sie sich bitte an den Kundendienst.
Das LiDAR ist verschmutzt.	Das LiDAR ist verschmutzt.	Wischen Sie den LiDAR-Sensor oben auf dem Roboter mit einem sauberen Tuch ab. Halten Sie das LiDAR nach der Reinigung trocken.
Die LiDAR-Temperatur ist hoch.	Die LiDAR-Temperatur ist ≥ 80 °C.	<ol style="list-style-type: none"> Der Roboter versucht automatisch, zur Ladestation zurückzukehren, um sich abzukühlen. Verwenden Sie den Roboter bei Umgebungstemperaturen unter 40 °C. Stellen Sie den Roboter an einen schattigen, kühlen und gut belüfteten Ort. Der Alarm stoppt, wenn die Temperatur wieder im normalen Bereich liegt. Der Roboter nimmt den Betrieb automatisch wieder auf, sobald der Alarm stoppt. Besteht das Problem weiterhin, wenden Sie sich bitte an den Kundendienst.
Die LiDAR-Temperatur ist zu hoch.	Die LiDAR-Temperatur ist ≥ 90 °C.	<ol style="list-style-type: none"> Das LiDAR wurde aufgrund hoher Temperaturen abgeschaltet. Verwenden Sie den Roboter bei Umgebungstemperaturen unter 40 °C. Stellen Sie den Roboter an einen schattigen, kühlen und gut belüfteten Ort. Der Alarm stoppt, wenn die Temperatur wieder im normalen Bereich liegt. Besteht das Problem weiterhin, wenden Sie sich bitte an den Kundendienst.

Problem	Ursache	Lösung
Der Roboter wird nicht gefunden.	Die Ortung ist fehlgeschlagen.	<ol style="list-style-type: none"> 1. Prüfen Sie, ob das LiDAR oben am Roboter verschmutzt ist. Verschmutzungen beeinträchtigen die Ortung. 2. Bewegen Sie den Roboter manuell an eine freie Stelle im Kartenbereich und versuchen Sie, die Aufgabe erneut zu starten. 3. Wenn die Ortung weiter nicht funktioniert, steuern Sie den Roboter über die App zurück zur Ladestation und starten Sie dann die Mäh-aufgabe.
Sensorfehler.	Sensorfehler.	<ol style="list-style-type: none"> 1. Starten Sie den Roboter neu und versuchen Sie es erneut. 2. Besteht das Problem weiterhin, wenden Sie sich bitte an den Kundendienst.
Der Roboter befindet sich in der Sperrzone.	Der Roboter befindet sich in der Sperrzone.	<ol style="list-style-type: none"> 1. Bewegen Sie den Roboter manuell aus der Sperrzone und versuchen Sie es erneut. 2. Bewegen Sie den Roboter über die App fern-gesteuert aus der Sperrzone, und versuchen Sie es erneut.
Der Roboter befindet sich außerhalb des Kartenbereichs.	Der Roboter befindet sich außerhalb des Kartenbereichs.	<ol style="list-style-type: none"> 1. Bewegen Sie den Roboter manuell zurück in den Kartenbereich und versuchen Sie es erneut. 2. Steuern Sie den Roboter über die App zurück in den Kartenbereich, und versuchen Sie es erneut.
Notstopp aktiviert.	Die Stopptaste am Roboter wurde gedrückt.	Geben Sie den PIN-Code am Roboter ein und bestätigen Sie ihn.
Niedriger Akkustand. Der Roboter wird bald abgeschaltet.	Der Akkustand beträgt \leq 10 %.	Docken Sie den Roboter zum Aufladen an die Ladestation an.
Der Roboter hat den Kartenbereich verlassen. Diebstahlrisiko.	Der Roboter hat den Kartenbereich verlassen.	<ol style="list-style-type: none"> 1. Geben Sie den PIN-Code am Roboter ein und bestätigen Sie ihn. 2. Sie können den Alarm bei Verlassen der Karte in den Einstellungen der App deaktivieren.
Die Rückkehr zur Ladestation ist fehlgeschlagen.	Der Roboter findet bei Rückkehr zur Ladestation sein Ziel nicht.	<ol style="list-style-type: none"> 1. Prüfen Sie, ob der Roboter durch Hindernisse blockiert wird. Entfernen Sie die Hindernisse und versuchen Sie es erneut. 2. Navigieren Sie den Roboter per Fernbedienung über die App zurück zur Ladestation.
Andocken an der Ladestation fehlgeschlagen.	Der Roboter findet die Ladestation, kann aber nicht andocken.	<ol style="list-style-type: none"> 1. Prüfen Sie, ob die Reflektorfolien der Station verschmutzt oder blockiert sind. 2. Prüfen Sie, ob sich Hindernisse vor der Station befinden. 3. Prüfen Sie, ob die Station verschoben wurde. 4. Überprüfen Sie, ob die Basisplatte mit dickem Schlamm bedeckt ist. 5. Überprüfen Sie, ob die Station auf einer Neigung steht. 6. Überprüfen Sie, ob die Station mit Strom versorgt wird. 7. Helfen Sie dem Roboter manuell oder per Fernbedienung, an der Ladestation anzudocken.

Problem	Ursache	Lösung
Positionierung fehlgeschlagen.	Die Positionierung schlägt fehl, wenn der Roboter versucht, eine Mähauflage zu starten.	<ol style="list-style-type: none"> 1. Das LiDAR kann blockiert sein. Bewegen Sie den Roboter manuell an eine flache und offene Stelle im Kartenbereich und starten Sie die Aufgabe erneut. 2. Wenn der Fehler weiterhin auftritt, versuchen Sie es erneut, nachdem der Roboter an der Ladestation angedockt hat.
Nicht ausreichend Platz zum Drehen vor der Station.	Nicht ausreichend Platz zum Drehen vor der Station.	<ol style="list-style-type: none"> 1. Wenn die Station am Rand oder innerhalb des Kartenbereichs platziert ist, stellen Sie sicher, dass zwischen dem vorderen Bereich der Basisplatte der Station und der Kartenbegrenzung ein Freiraum von mindestens 1 m besteht; andernfalls kann der Roboter möglicherweise nicht wenden. 2. Versetzen Sie die Station oder ändern Sie die Karte in der Kartenbearbeitung.
Pfad blockiert.	Pfad blockiert.	<ol style="list-style-type: none"> 1. Überprüfen Sie, ob im Pfad eine Sperrzone festgelegt ist. 2. Prüfen Sie, ob der Roboter durch Hindernisse blockiert wird. 3. Wenn der Roboter immer noch nicht passieren kann, löschen Sie den Pfad in der Kartenbearbeitung und legen Sie einen neuen fest.
Die Frontkamera ist verschmutzt.	Die Frontkamera ist verschmutzt.	Wischen Sie die Frontkamera mit einem sauberen Tuch ab.
Es liegt ein Problem mit der Frontkamera vor.	Es liegt ein Problem mit der Frontkamera vor.	<ol style="list-style-type: none"> 1. Wischen Sie die Frontkamera mit einem sauberen Tuch ab. 2. Versuchen Sie, den Roboter neu zu starten. 3. Besteht das Problem weiterhin, wenden Sie sich bitte an den Kundendienst.
Frontkamera blockiert.	Frontkamera blockiert.	Wischen Sie die Frontkamera mit einem sauberen Tuch ab.
Während der automatischen Kartierung tritt ein Fehler zur Erkennung der Begrenzung auf.	Während der automatischen Kartierung tritt ein Fehler zur Erkennung der Begrenzung auf.	<ol style="list-style-type: none"> 1. Stellen Sie sicher, dass die Lichtverhältnisse geeignet sind (weder zu hell noch zu dunkel). 2. Kontrollieren Sie, dass das Wetter klar ist (kein Nebel oder Regen). 3. Kontrollieren Sie, dass die Frontkamera sauber und nicht blockiert ist. 4. Kontrollieren Sie, dass der Untergrund eben ist – Unebenheiten können die Erkennung beeinträchtigen. 5. Wenn die Erkennung der Begrenzung weiterhin fehlschlägt, wechseln Sie in den Fernbedienungsmodus, um die Kartierung durchzuführen.
Ungewöhnliche Vibrationen.	Ungewöhnliche Vibrationen.	<ol style="list-style-type: none"> 1. Prüfen Sie die Messerscheibe auf Schäden. Wenn ein Schaden vorliegt, ersetzen Sie die Scheibe. 2. Wenn die Scheibe unbeschädigt ist, wenden Sie sich an den Kundendienst.

13 Spezifikationen

		A3 3500
Basisdaten	Produktbezeichnung	Dreame Mähroboter A3 AWD Pro
	Marke	Dreame
	Modell	MXXA9300
	Abmessungen	740 × 532 × 325 mm
	Gewicht (einschließlich Akku)	24,3 kg
Mähbetrieb	Empfohlene Arbeitsfläche	3500 m ²
	Mäheffizienz (EGMF-Standard)	Standard: 2500 m ² /24hrs Effizient: 3500 m ² /24hrs Schnell: 5000 m ² /24hrs
	Mähhöhe	3–10 cm (in Schritten à 5 mm)
	Mähbreite	40 cm
	Ladedauer ^[2]	85 min
Geräuschemission	Schallleistungspegel LWA	65 dB(A)
	Unsicherheit Schallleistungspegel KWA	3 dB(A)
	Schalldruckpegel LpA	54 dB(A)
	Unsicherheit Schalldruck KpA	3 dB(A)
Betriebsbedingungen	Betriebstemperatur	0–50 °C Empfehlung: 10–35 °C
	Temperatur bei Langzeitlagerung	-10–35 °C Empfehlung: 0–25 °C
	IP-Schutzart	Roboter: IPX6 Ladestation: IPX4 Netzteil: IP67
	Maximale Neigung der Mähfläche	80%
Verbindung	Bluetooth-Frequenzbereich	2,4–2,4835 GHz
	Max. Funkleistung	802.11b: 16±2dBm(@11Mbps) 802.11g: 14±2dBm(@54Mbps) 802.11n: 13±2dBm(@HT20,HT40) Bluetooth: 7,49 dBm
	WLAN	WLAN 2,4 GHz (2400–2483.5M)
	Link-Dienst ^[3]	LTE-FDD: B1/3/7/8/20/28A LTE-TDD: B38/40/41
	GNSS	GPS/GLONASS/BDS/Galileo/QZSS

		A3 3500
Antriebsmotor	Fahrgeschwindigkeit bei Fernbedienung	0,45–0,8 m/s
	Fahrgeschwindigkeit beim Mähen	Standard: 0,35 m/s Effizient: 0,6 m/s Schnell: 0,8 m/s
	Motortyp	Nabenmotor
Mähmotor	Drehzahl	2800/min
Akku (Roboter)	Akkumodell	MBPA30
	Akkutyp	Lithium-Akku
	Nennkapazität	7500 mAh
	Nennspannung	Max. 36 V
Netzteil	Modell Ladestation	MPAA30
	Eingangsspannung	100–240 V Wechselspannung
	Ausgangsspannung	42 V
	Ausgangsstrom	5 A
Ladestation	Modell Ladestation	MCA20
	Eingangsspannung	42 V
	Ausgangsspannung	42 V
	Eingangsstrom	5 A
	Ausgangsstrom	5 A

Standards	Band	Uplink (MHz)	Downlink (MHz)	Max. HF-Sendeleistung	GNSS	Frequenzbereich		
LTE	1	1920 - 1980	2110 - 2170	23 ± 2	GPS/GLO-NASS/BDS/ Galileo/ QZSS	1559-1592 MHz		
	3	1710-1785	1805-1880	23 ± 2				
	7	2500-2570	2620-2690	23 ± 2				
	8	880-915	925-960	23 ± 2				
	20	832-862	791-821	23 ± 2				
	28	703-748	758-803	23 ± 2				
	38	2570-2620	2570-2620	23 ± 2				
	40	2300-2400	2300-2400	23 ± 2				
	41	2496-2690	2496-2690	23 ± 2				
GSM	3	1710 - 1785	1805 - 1880	30 ± 2	GPS/GLO-NASS/BDS/ Galileo/ QZSS	1559-1592 MHz		
	8	880 - 915	925 - 960	23 ± 2				
WCDMA	1	1920-1980	2110-2170	23 ± 2			GPS/GLO-NASS/BDS/ Galileo/ QZSS	1559-1592 MHz
	8	880 - 915	925 - 960	23 ± 2				

[2] Die Ladezeit gilt ab dem Zeitpunkt, an dem der Roboter bei niedrigem Akkustand automatisch zur Ladestation zurückkehrt.

[3] Abgedeckte Länder/Regionen: Albanien, Andorra, Österreich, Belgien, Bosnien und Herzegowina, Bulgarien, Zypern, Tschechische Republik, Dänemark, Estland, Finnland, Frankreich, Deutschland, Griechenland, Guernsey, Ungarn, Island, Irland, Italien, Kosovo, Lettland, Liechtenstein, Litauen, Luxemburg, Mazedonien, Malta, Moldawien, Monaco, Montenegro, Niederlande, Norwegen, Polen, Portugal, Rumänien, Serbien, Slowakei, Slowenien, Spanien, Schweden, Schweiz, Vereinigtes Königreich, Ukraine.

Hinweis: Die technischen Daten können sich ändern, da wir unser Produkt ständig verbessern. Aktuelle Informationen finden Sie auf unserer Website unter <https://global.dreametech.com>.

Notice d'utilisation originale

Table des matières

1 Consignes de sécurité	P84
2 Présentation du produit	P88
3 L'installation	P90
4 Préparation pour la première utilisation	P93
5 Cartographiez votre jardin	P98
6 Fonctionnement	P104
7 Application Dreamehome	P107
8 Entretien	P110
9 Batterie	P114
10 Stockage hivernal	P114
11 Transport	P114
12 Recherche de pannes	P115
13 Spécifications	P120

1 Consignes de sécurité

1.1 Instructions générales de sécurité

- Évitez d'utiliser la machine et ses outils périphériques par mauvais temps, en particulier lorsqu'il y a un risque d'orage.
- Lisez attentivement et comprenez le manuel d'utilisation avant d'utiliser le produit.
- Utilisez uniquement l'équipement recommandé par Dreame avec le produit. Toute autre utilisation est incorrecte.
- Ne laissez pas les enfants s'approcher ou jouer avec la machine lorsqu'elle est en marche.
- N'utilisez pas le produit dans des zones où des personnes ne sont pas conscientes de sa présence.
- Lorsque vous utilisez le produit manuellement avec l'application Dreamehome, ne courez pas. Marchez toujours, surveillez vos pas sur les pentes et gardez votre équilibre à tout moment.
- Évitez d'utiliser le produit lorsque des personnes, en particulier des enfants ou des animaux, se trouvent dans la zone de travail.
- Si vous utilisez le produit dans des lieux publics, placez des panneaux d'avertissement autour de la zone de travail avec le texte suivant : « Attention ! Tondeuse à gazon automatique ! Ne vous approchez pas de la machine ! Surveillez les enfants ! »
- Portez des chaussures robustes et des pantalons longs lorsque vous utilisez le produit.
- Pour éviter d'endommager le produit et de causer des accidents impliquant des véhicules et des personnes, ne placez pas de zones de travail ou de voies de transport sur les voies publiques.
- Ne touchez pas les pièces mobiles dangereuses, telles que le disque de coupe, avant qu'elles ne soient complètement immobilisées.
- Consultez un médecin en cas de blessure ou d'accidents.
- Mettez le produit **hors tension** avant de dégager des obstructions, d'effectuer l'entretien ou d'examiner le produit. Si le produit vibre anormalement, inspectez-le pour détecter tout dommage avant de le redémarrer. N'utilisez pas le produit si l'une de ses pièces est défectueuse.
- N'installez pas le câble principal dans des zones où le produit pourrait le couper. Suivez les instructions fournies pour l'installation du câble.
- Utilisez uniquement la station de charge fournie dans l'emballage pour recharger le produit. Une utilisation incorrecte peut entraîner un choc électrique, une surchauffe ou une fuite de liquide corrosif provenant de la batterie. En cas de fuite d'électrolyte, rincer à l'eau/à l'agent neutralisant et consulter un médecin si le liquide corrosif entre en contact avec les yeux.
- Lors du raccordement du câble principal à la prise de courant, utilisez un appareil différentiel résiduel (RCD) avec un courant de déclenchement maximal de 30 mA.
- Utilisez uniquement les batteries d'origine recommandées par Dreame. La sécurité du produit ne peut pas être garantie avec des piles non d'origine. N'utilisez pas de batteries non rechargeables.
- Éloignez tout cordon d'alimentation et/ou rallonge de la zone de travail afin d'éviter tout dommage aux cordons susceptible de créer un contact avec des pièces sous tension.
- Les illustrations utilisées dans ce document sont fournies à titre indicatif uniquement. Veuillez vous référer aux produits réels.
- Ne laissez jamais des enfants, des personnes ayant des capacités physiques, sensorielles ou mentales réduites, ou manquant d'expérience et de connaissances, ou des personnes qui ne sont pas familiarisées avec ces instructions utiliser le robot. La réglementation locale peut limiter l'âge de l'opérateur.
- Ne connectez pas et ne touchez pas un câble endommagé tant qu'il n'est pas débranché de la prise de courant. Si le câble est endommagé pendant le fonctionnement, débranchez la fiche de la prise de courant. Un câble usé ou endommagé augmente le risque d'électrocution et doit être remplacé par le personnel de maintenance.
- Ne poussez pas le produit avec force ou rapidement, car cela pourrait l'endommager.

- Afin de respecter les exigences en matière d'exposition aux radiofréquences, une distance de 35 cm doit être maintenue entre l'appareil et les personnes.
- **AVERTISSEMENT** : Pour recharger la batterie, utilisez uniquement le bloc d'alimentation amovible fourni avec cet appareil.

1.2 Consignes de sécurité pour l'installation

- Évitez d'installer la station de charge dans des endroits où des personnes pourraient trébucher dessus.
- N'installez pas la station de charge dans des endroits où il y a un risque d'accumulation d'eau.
- N'installez pas la station de charge, y compris ses accessoires, à moins de 60 cm de tout matériau combustible. Un dysfonctionnement ou une surchauffe de la station de charge et de l'alimentation électrique peut présenter un risque d'incendie.

1.3 Consignes de sécurité pour l'utilisation

- Gardez vos mains et vos pieds à l'écart des lames rotatives. Ne placez pas vos mains ou vos pieds à proximité ou sous le produit lorsqu'il est allumé.
- Ne soulevez pas et ne déplacez pas le produit lorsqu'il est allumé.
- Utilisez le mode parking ou réglez le produit sur **OFF** lorsque des personnes, en particulier des enfants ou des animaux, dans la zone de travail.
- Assurez-vous qu'il n'y a pas d'objets tels que des pierres, des branches, des outils ou des jouets sur la pelouse. Sinon, les lames pourraient être endommagées lorsqu'elles entreraient en contact avec un objet.
- Ne placez pas d'objets sur le produit ou sur la station de charge.
- N'utilisez pas le produit si le bouton d'arrêt ne fonctionne pas.
- Évitez les collisions entre le produit et les personnes ou les animaux. Si une personne ou un animal se trouve sur le chemin du produit, arrêtez-le immédiatement.
- Mettez toujours le produit **hors tension** lorsqu'il n'est pas utilisé.
- N'utilisez pas le produit en même temps qu'un arroseur escamotable. Utilisez la fonction Programme pour vous assurer que le produit et l'arroseur escamotable ne fonctionnent pas en même temps.
- Évitez de placer un canal de raccordement à l'endroit où sont installés des arroseurs escamotables.
- Ne faites pas fonctionner le produit en présence d'eau stagnante dans la zone de travail, par exemple en cas de forte pluie ou d'accumulation d'eau.

1.4 Consignes de sécurité pour l'entretien

- Mettez le produit **hors tension** avant d'effectuer la maintenance.
- Après le lavage, assurez-vous que le produit est posé sur le sol dans sa position normale, et non à l'envers.
- Ne retournez pas le produit pour nettoyer le châssis. Si vous le retournez pour le nettoyer, veillez à le remettre dans le bon sens après. Cette précaution est nécessaire pour éviter que de l'eau ne pénètre dans le moteur et n'affecte son bon fonctionnement.
- Débranchez la fiche de la station de charge ou actionnez le dispositif de mise hors service avant de nettoyer ou d'effectuer l'entretien de la station de charge.
- N'utilisez ni nettoyeur haute pression ni solvants pour nettoyer le produit.

1.5 Sécurité de la batterie

Les batteries lithium-ion peuvent exploser ou provoquer un incendie si elles sont démontées, court-circuitées, exposées à l'eau, au feu ou à des températures élevées. Manipulez-les avec précaution, ne démontez pas et n'ouvrez pas la batterie, et évitez toute forme d'abus électrique/mécanique. Conservez-les à l'abri de la lumière directe du soleil.

1. Utilisez uniquement le chargeur de batterie et l'alimentation fournis par le fabricant. L'utilisation d'un chargeur et d'une alimentation électrique inappropriés peut provoquer des chocs électriques et / ou une surchauffe.

2. N'ESSAYEZ PAS DE RÉPARER OU DE MODIFIER LES BATTERIES ! Les tentatives de réparation peuvent entraîner des blessures graves, en raison d'une explosion ou de choc électrique. En cas de fuite, les électrolytes libérés sont corrosifs et toxiques.






3. Cet appareil contient des batteries qui ne peuvent être remplacées que par des personnes qualifiées.

1.6 Risques résiduels

Pour éviter toute blessure, portez des gants de protection lorsque vous remplacez les lames.

1.7 Symboles et autocollants

	<p>AVERTISSEMENT - Lisez le mode d'emploi avant d'utiliser le robot.</p>
	<p>AVERTISSEMENT - Gardez une distance de sécurité avec le robot pendant son fonctionnement.</p>
	<p>AVERTISSEMENT - Actionnez le appareil de mise hors service avant de travailler sur le robot ou de la soulever.</p>
	<p>AVERTISSEMENT - Ne montez pas sur le robot. Ne touchez pas la lame en rotation.</p>
	<p>AVERTISSEMENT - Il est interdit de jeter ce produit avec les déchets ménagers normaux. Veillez à ce que le produit soit recyclé conformément aux dispositions légales en vigueur.</p>

	Ce produit est conforme aux directives CE applicables.
	Classe III
	Avant de charger, lisez les instructions.
	Courant continu
	Classe II

UTILISATION PRÉVUE

Le produit de jardinage est destiné à la tonte domestique. Il est conçu pour tondre fréquemment, afin de maintenir une pelouse plus saine et plus belle que jamais. En fonction de la taille de votre pelouse, votre tondeuse peut être programmée pour fonctionner à tout moment ou à n'importe quelle fréquence. Il lui est impossible de creuser, balayer ou déneiger.



Par la présente, TsingTing Intelligent Tech (Suzhou) Co., Ltd. déclare que le modèle d'équipement radio Dreame MXXA9300 est conforme à la directive 2014/53/UE. Le texte intégral de la déclaration de conformité UE est disponible à l'adresse Internet suivante : <https://global.dreame.tech.com/pages/declaration-of-conformity>.

Le produit est conforme à la réglementation britannique PSTI ; le texte complet de la déclaration de conformité est disponible à l'adresse Internet suivante : <https://global.dreame.tech.com/pages/statement-of-compliance-for-uk-psti>.

Pour consulter le manuel électronique détaillé, veuillez vous rendre sur le site <https://global.dreame.tech.com/pages/user-manuals-and-faqs>.

Avis de sécurité du réseau

Afin de garantir le fonctionnement sécurisé de cet appareil dans les environnements réseau, les informations suivantes sont fournies :

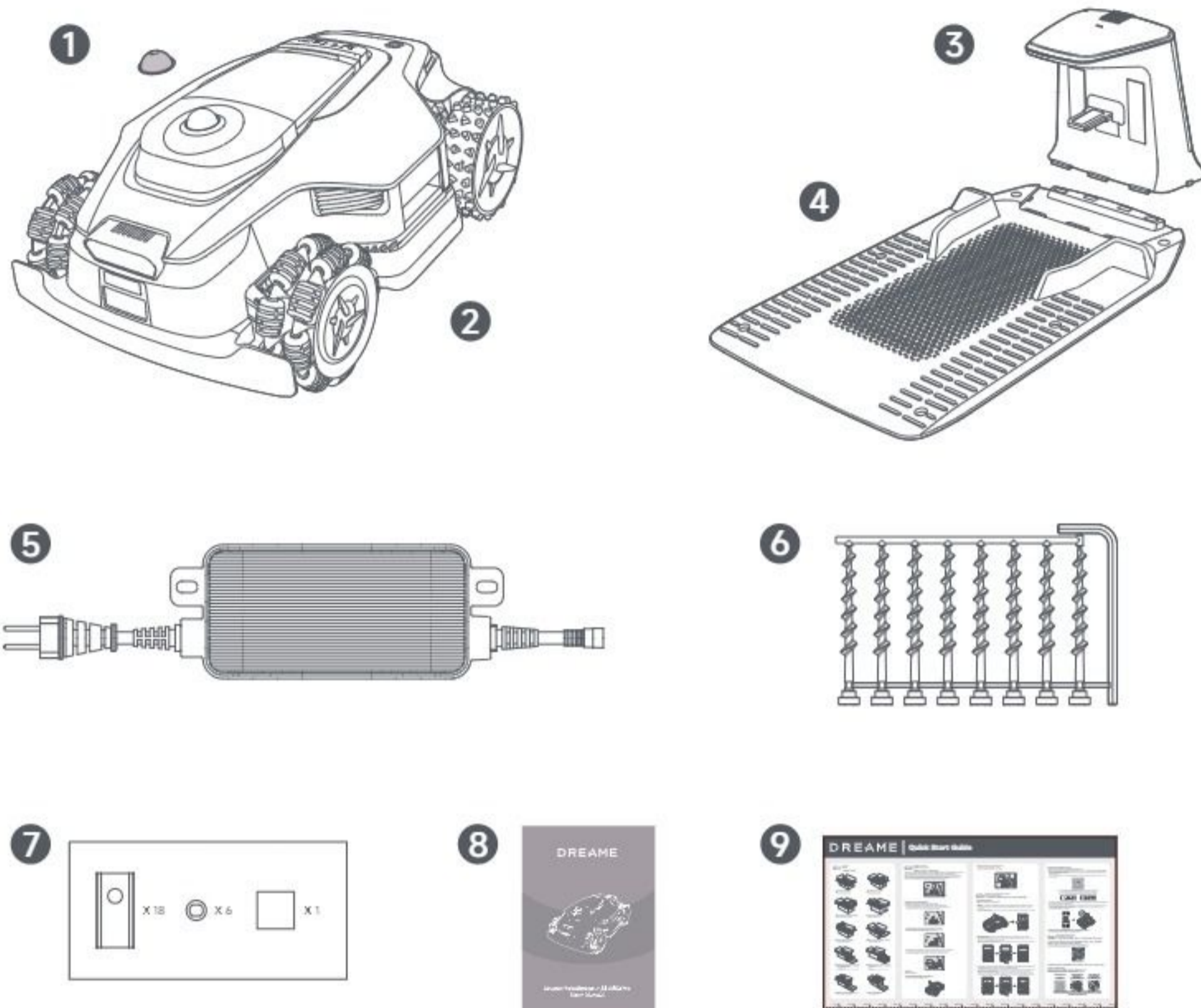
Cet appareil est équipé de multiples capacités de communication réseau, notamment un port Ethernet (RJ-45), un module de communication sans fil Wi-Fi et une interface de débogage USB. Les services réseau suivants sont activés par défaut au démarrage :

- **Service de configuration Web (HTTP/HTTPS)** : écoute sur le port 80 (HTTP) et le port 443 (HTTPS) pour la configuration locale et la surveillance de l'état. Pour éviter toute fuite d'informations, il est recommandé de désactiver le service HTTP immédiatement après l'installation, d'activer uniquement le protocole HTTPS et de déployer un certificat TLS fiable.
- **Diffusion des appareils (mDNS/SSDP)** : permet la détection automatique par diffusion des informations sur les appareils au sein du réseau local (LAN). Si cela n'est pas nécessaire, il est recommandé de désactiver ces services pour réduire le risque d'être scanné.
- **Interface USB** : utilisée pour les mises à jour locales du micrologiciel et l'extraction des journaux. Lorsque le mode débogage est activé, il peut exposer les autorisations d'accès aux fichiers système. Il est recommandé de limiter l'utilisation seulement au personnel autorisé et de désactiver cette interface lorsque l'appareil n'est pas en maintenance.

Pour connaître les procédures de configuration détaillées, veuillez consulter la section *Préparation pour la première utilisation*.

2 Présentation du produit

2.1 Contenu de la boîte



1 Couverture de protection LiDAR

2 Tondeuse à gazon robotisée

3 Tour de charge (avec un câble de rallonge de 10 m)

4 Plaque de base

5 Alimentation

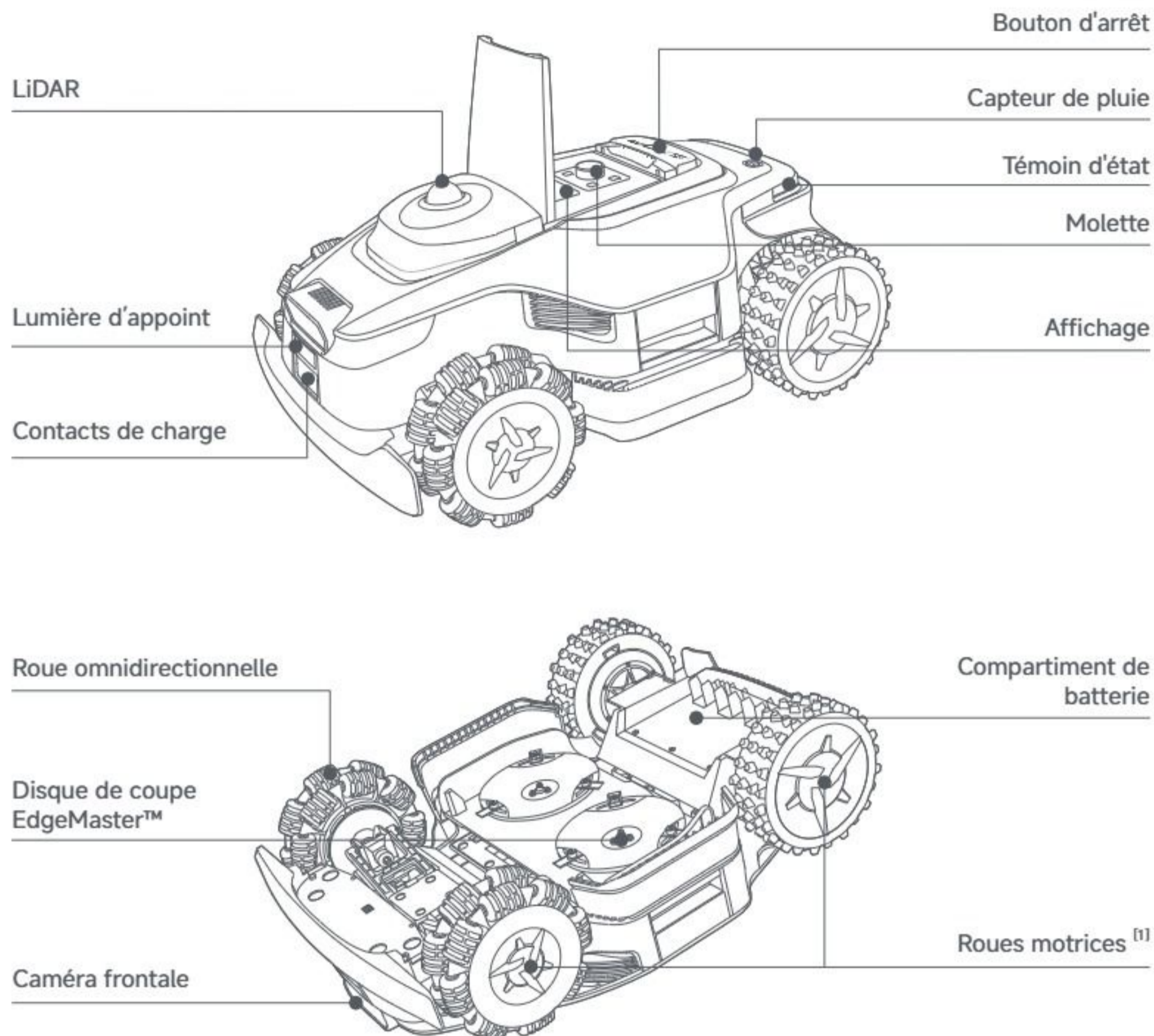
6 Vis × 8, clé hexagonale

7 Lames de rechange × 18, supports × 6, chiffon sans peluches

8 Manuel d'utilisation

9 Guide de démarrage rapide

2.2 Présentation du produit



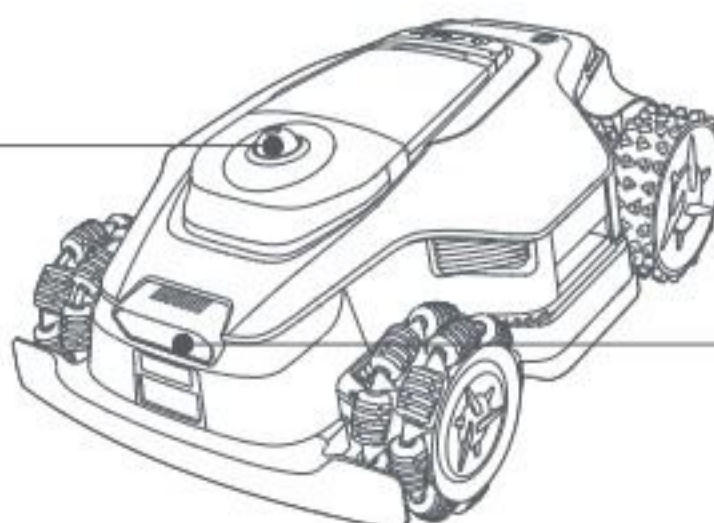
[1] Avec moteurs sur moyeu.

2.3 OmniSense™ 3.0 : système d'ultra-détection 3D avec caméras IA

Élevez l'entretien de la pelouse au niveau supérieur avec OmniSense™ 3.0, un système révolutionnaire d'ultra-détection 3D doté de deux caméras HDR assistées par algorithme, offrant une perception plus complète et détaillée de l'environnement 3D du jardin.



OmniSense™ 3.0
Système de détection
3D ultra-sensible




Système omnidirectionnel 3D
de détection et d'évitement
d'obstacles amélioré par l'IA



2.4 Service de liaison avec connectivité GPS et 4G

Ce robot est équipé du Service de liaison, qui offre une connectivité au réseau cellulaire 4G.

Activer le Service de liaison

Allumez votre robot et le Service de liaison s'active automatiquement.  s'allume sur l'écran du robot et dans l'application, indiquant que l'activation a réussi. Vous pouvez visualiser l'état d'utilisation du Service de liaison sous **Connexions** dans l'application.

Lorsque le Service de liaison est activé, vous pouvez surveiller à distance l'état de votre robot et démarrer des tâches de tonte sans connexion Wi-Fi. De plus, un GPS intégré permet de suivre en temps réel la localisation du robot, renforçant ainsi ses capacités antivol. Vous pouvez suivre sa position à tout moment, où que vous soyez, et recevoir des notifications s'il sort de la zone désignée sur la carte.

Le service Link prend effet à partir du moment de l'activation, conformément à la configuration du produit que vous avez achetée.*Pour prolonger ce service après expiration, veuillez contacter le service après-vente Dreame via aftersales@dreame.tech.

*Veuillez consulter la période gratuite restante du service Link dans l'application, ou contacter le service après-vente de Dreame pour plus de détails.

2.5 Capteurs

Nom	Description
LiDAR	Permet d'obtenir des informations sur l'environnement et facilite le positionnement du robot, l'évitement des obstacles et la détection de l'eau et de la saleté. Portée de détection (à 100 klx) : 40 m à 10% de réflectivité ; 70 m à 80% de réflectivité Champ de vision : 360° (à l'horizontale) × 59° (à la verticale)
Caméra frontale	Détecte les obstacles, les limites de la pelouse et la présence de personnes. Angle de vue : 89° (à l'horizontale), 58° (à la verticale), 97° (en diagonale) Résolution : 2 MP
GPS	Le robot comporte une fonction GPS. Vous pouvez suivre la position du robot en temps réel dans Google Maps via l'application.

3 L'installation

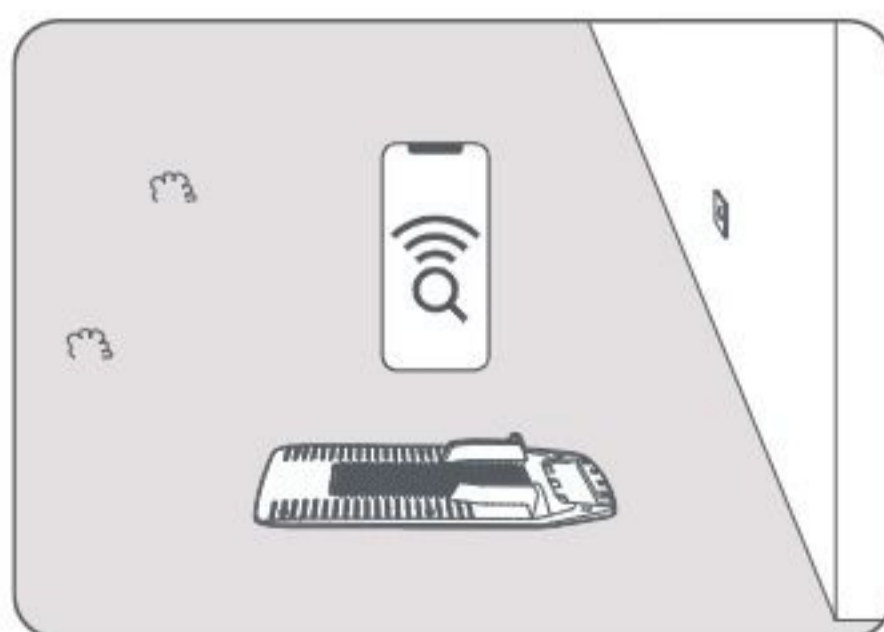
3.1 Choisissez un emplacement approprié

- Placez la plaque de base sur une surface plane près du bord de la pelouse et d'une prise de courant. Placez-la dans une zone offrant un signal Wi-Fi puissant.

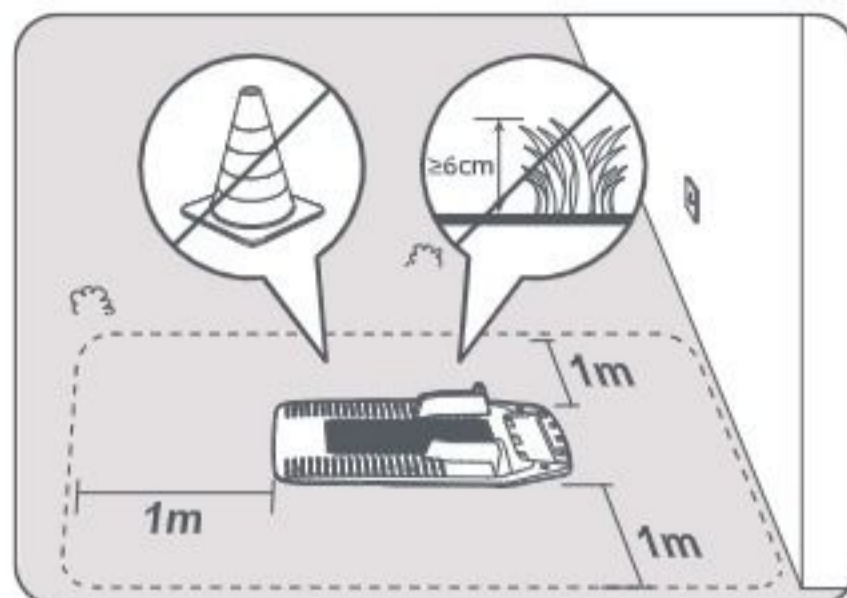
Remarque : utilisez votre appareil mobile pour vérifier la puissance du signal Wi-Fi de l'emplacement. Un signal Wi-Fi puissant garantit une connexion stable entre le robot et l'application.

Important : assurez-vous que la sol est assez meuble pour permettre l'installation des vis.

Important : si la station de charge est située sur une pente, assurez-vous que celle-ci n'est pas trop raide afin d'éviter que le robot ne glisse vers l'arrière et qu'il puisse s'ancrer.

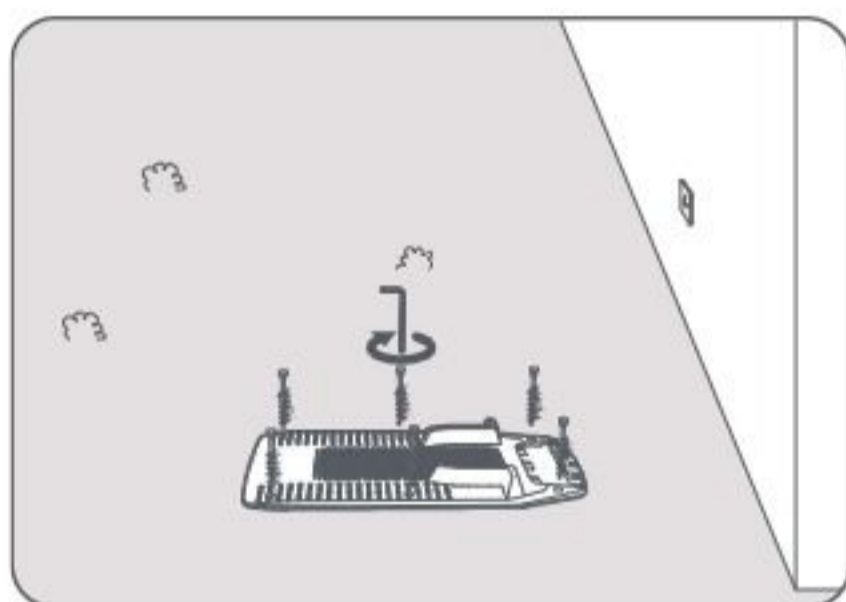


- Gardez au moins **1 m** d'espace libre sans obstacles à gauche, à droite et devant la plaque de base. Assurez-vous que l'herbe alentour ne dépasse pas **6 cm**. Si l'herbe est plus haute, veuillez d'abord la tondre à l'aide d'une tondeuse à main. L'herbe haute peut empêcher le robot de retourner à la station de charge.

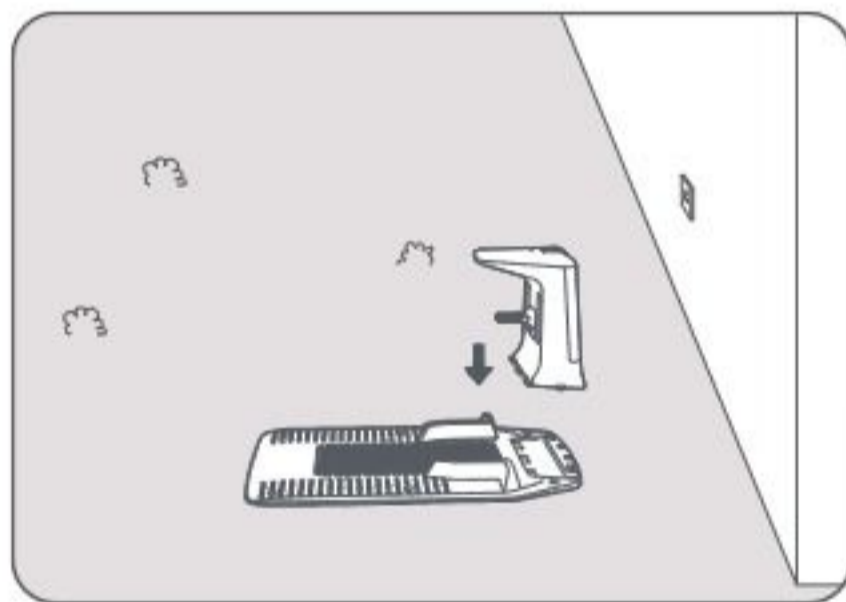


3.2 Installation de la station de charge

- 1 Fixez la plaque de base au sol avec les vis et la clé hexagonale fournis.

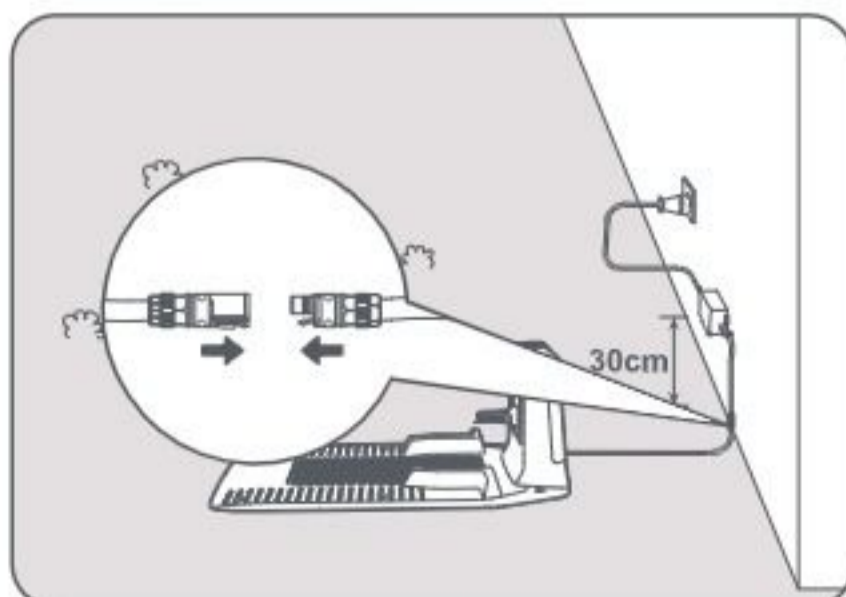


- 2 Insérez la tour de charge dans la plaque de base jusqu'à ce que vous entendiez un clic.

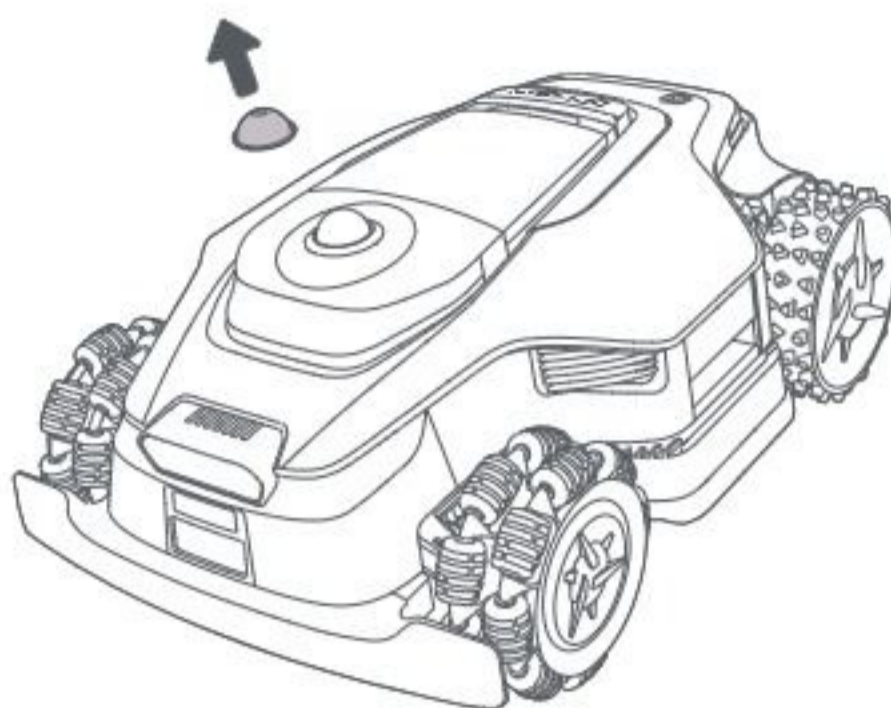


- 3 Branchez l'alimentation à la rallonge puis branchez-la sur une prise de courant. Veuillez maintenir l'alimentation à au moins **30 cm** au-dessus du sol.

Remarque : Le voyant LED de la station de charge est **constamment bleu** lorsque l'appareil est sous tension.



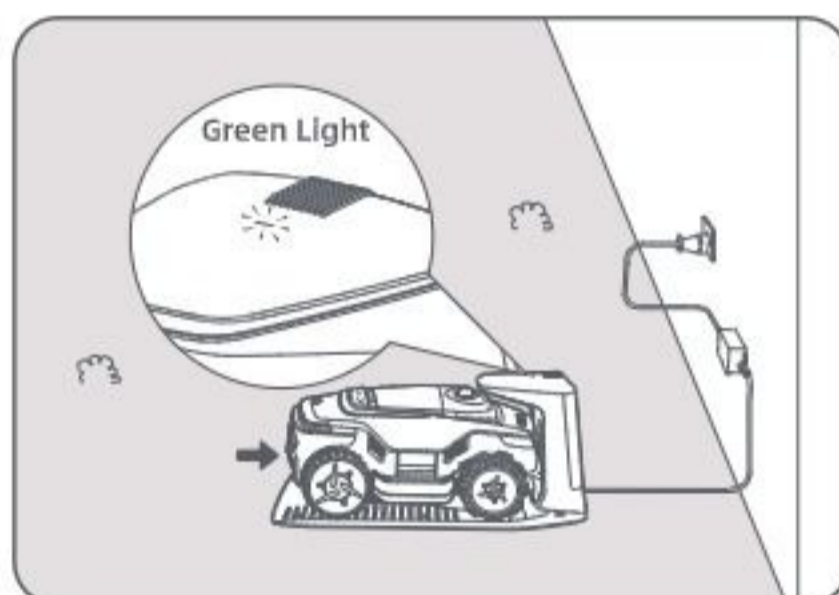
④ Retirez le couvercle de protection LiDAR.



⑤ Placez le robot dans la station de charge pour le recharger. Assurez-vous que les contacts de charge du robot et de la station de charge sont correctement connectés.

Remarque : la lampe indicatrice **clignote en vert** lorsque le robot se charge correctement dans la station de charge.

Remarque : si vous souhaitez ajouter un garage pour une protection supplémentaire, utilisez le garage Dreame correspondant, disponible dans les magasins locaux ou en ligne. L'utilisation d'un garage autre que Dreame peut entraîner des problèmes lors de la recharge.

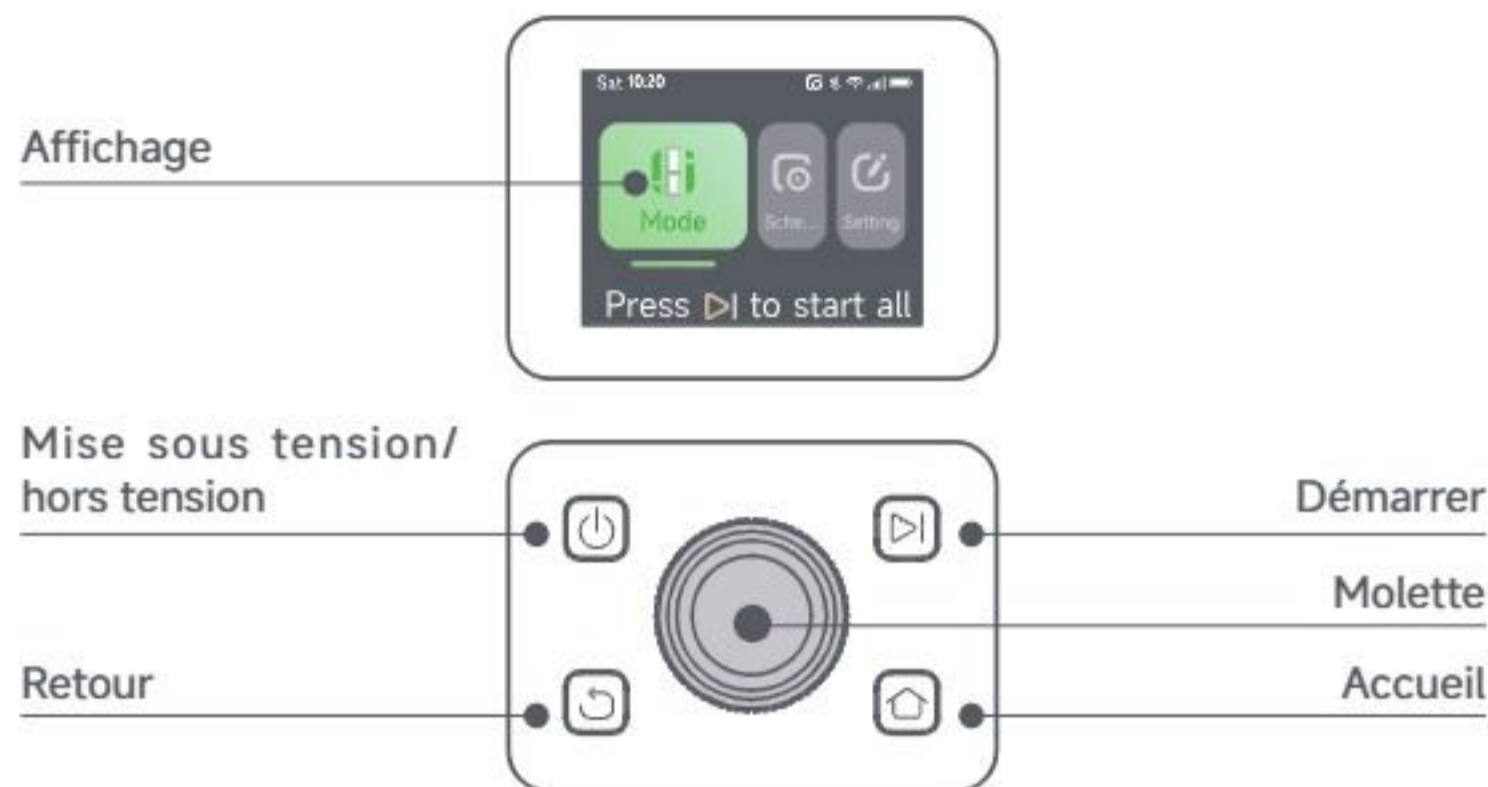


Indicateur LED sur la station de charge

Couleur de la lampe indicatrice à LED	Signification
Rouge clignotant/fixe	1. Il y a un problème avec la station de charge (par exemple, un problème avec le courant ou la tension de recharge).
	2. Le robot s'installe dans la station de charge, mais la charge est anormale (par exemple, les contacts de charge ont un court-circuit).
Bleu fixe	La station de charge est alimentée en électricité. Le robot n'est pas dans la station de charge.
Vert clignotant	Le robot est en cours de recharge dans la station de charge.
Vert fixe	Le robot est complètement chargé à la station / en dehors des heures de recharge.

4 Préparation pour la première utilisation

4.1 Familiarisation avec le panneau de contrôle



Affichage

Icône	Statut
	Niveau de la batterie (affiche le niveau actuel de la batterie)
	Chargement (le robot s'est correctement connecté à la station de charge)
	Bluetooth (Le robot est connecté à l'application via Bluetooth.)
	Wi-Fi (Le robot est connecté à l'application via un réseau Wi-Fi.)
	Service de liaison (Le service de liaison est activé.)
	Programmation (une tâche est programmée pour aujourd'hui et n'a pas encore commencé)

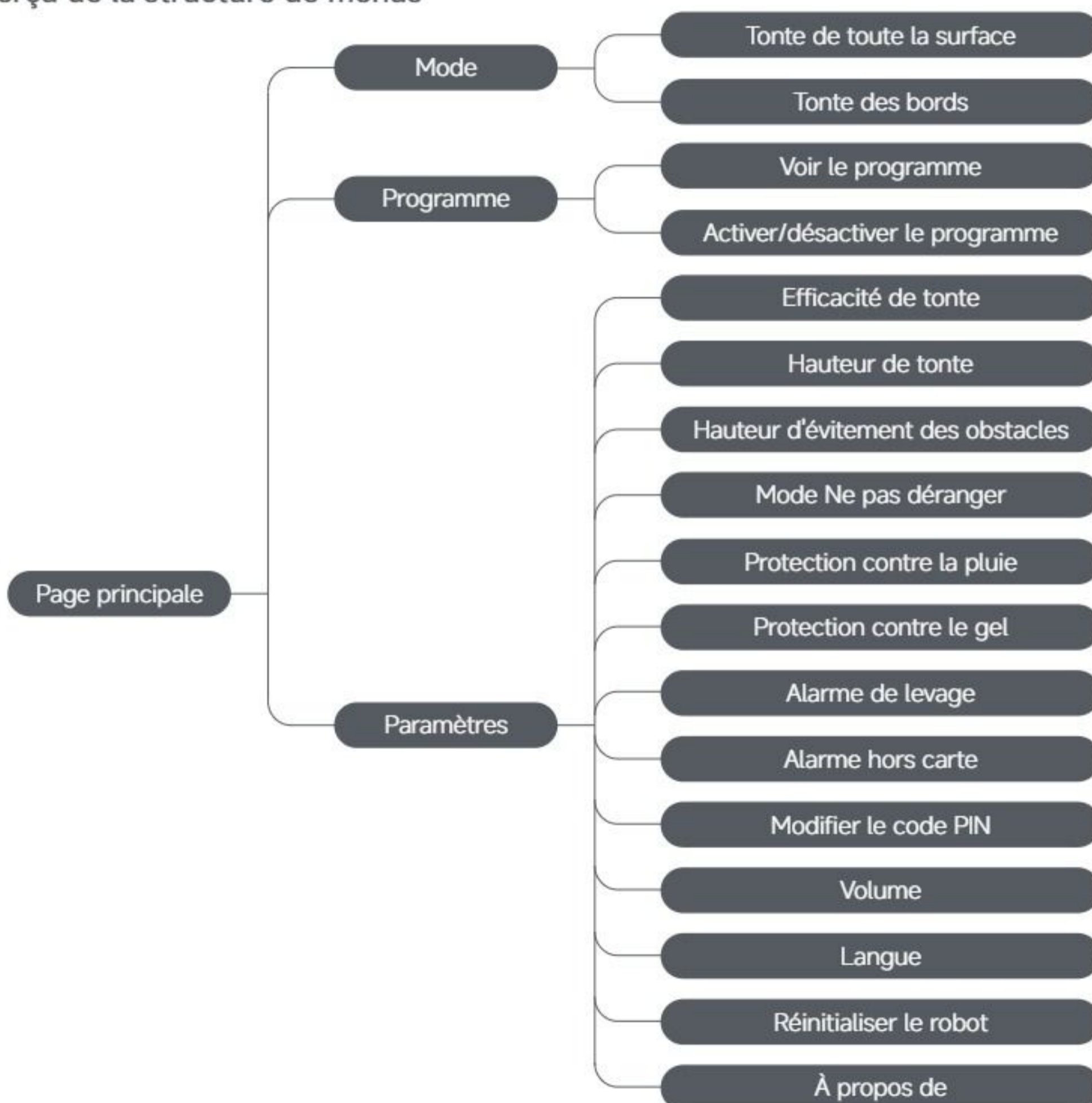
Commandes

Bouton	Fonction
Marche/Arrêt	Pour allumer/éteindre le robot, appuyez sur le bouton et maintenez-le enfoncé pendant 2 secondes. Assurez-vous qu'il se trouve à l'extérieur de la station de charge.
Démarrer	Pour démarrer la tonte de toute la surface ou reprendre des tâches mises en pause, appuyez sur le bouton puis refermez le couvercle dans les 5 secondes qui suivent. La tâche sera annulée si le couvercle n'est pas refermé dans les 5 secondes.
Accueil	Pour renvoyer le robot à la station de charge afin qu'il se recharge, appuyez sur le bouton , puis refermez le couvercle dans les 5 secondes. La tâche sera annulée si le couvercle n'est pas refermé dans les 5 secondes.
Retour	Pour remonter d'un niveau dans le menu, appuyez sur le bouton .

Commandes

Molette	Pour confirmer la sélection dans les menus, appuyez sur la molette.
	Pour activer le mode d'appairage Bluetooth, appuyez sur la molette pendant 3 secondes.
	Pour naviguer dans le menu, faites pivoter la molette dans le sens horaire/antihoraire.
Début + Retour	Pour réinitialiser le robot, appuyez sur le bouton ▶ et le bouton ↶ et maintenez-les enfoncés pendant 3 secondes. Le code PIN ne sera pas effacé.
Accueil + Retour	Maintenez enfoncés le bouton 🏠 et le bouton ↶ et pendant 3 secondes pour accéder à la page À propos de dans les Paramètres. La page À propos disparaîtra au bout de 5 secondes.
Molette + Retour	Pour réinitialiser le code PIN, appuyez sur la molette et sur le bouton ↶ et maintenez-les enfoncés pendant 3 secondes.
Arrêter	Appuyez sur le bouton Arrêt pour ouvrir le couvercle supérieur et arrêter le robot. Le code PIN doit être saisi sur le panneau de contrôle pour reprendre l'opération.

Aperçu de la structure de menus



*Ceci peut être mis à jour en fonction de la version du logiciel.

Témoin d'état sur le robot

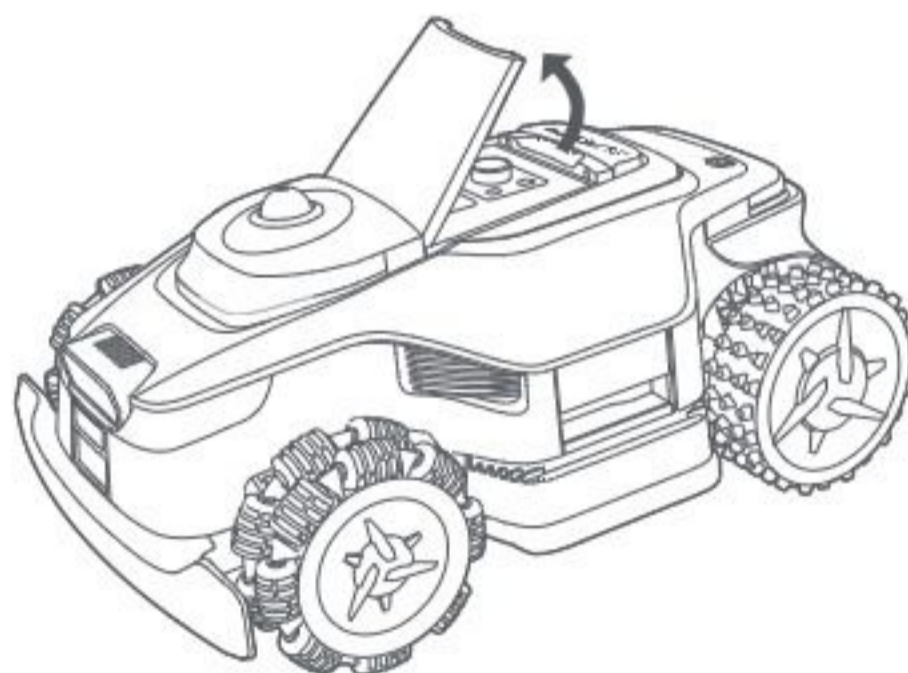
Couleur	Signification
Rouge fixe	1. Le robot est en attente.
	2. Le robot effectue une tâche ou est en pause.
	3. La batterie est complètement chargée (la luminosité est inférieure à celle d'une batterie complètement chargée).
	4. Le robot est connecté à la station de charge et en cours de re-charge.
Défilement	Le robot est connecté à la station de charge.
Rouge pulsant	1. Le robot est en patrouille.
	2. La vidéo en temps réel de la caméra frontale s'affiche via l'application.
	3. Le robot s'avance vers l'emplacement désigné.
Clignote en rouge	Le robot a rencontré un dysfonctionnement pendant la tâche.
Onde centrale extérieure	Le robot est sous tension.

Remarque : Vous pouvez personnaliser la période d'activation et les scénarios de la lumière du robot dans **Paramètres > Lumière**.

4.2 Paramètres initiaux

Avant de mettre le robot en marche pour la première fois, certains réglages de base doivent être effectués afin que le robot soit prêt à fonctionner.

❶ Soulevez le couvercle supérieur.



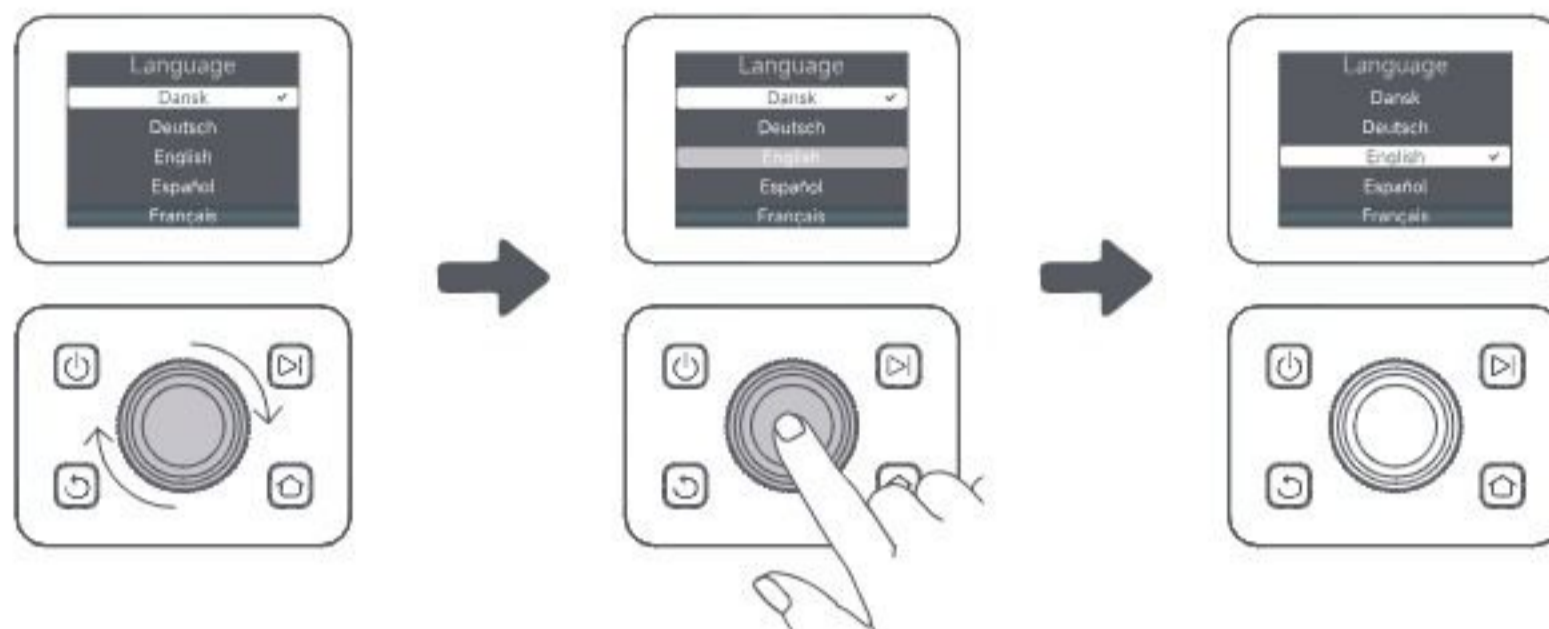
❷ Appuyez sur le bouton  du panneau de contrôle et maintenez-le enfoncé pendant 2 secondes pour allumer le robot.

Remarque : Le robot s'allume automatiquement lorsqu'il se connecte à la station de charge.



3 Sélectionnez la langue de votre choix

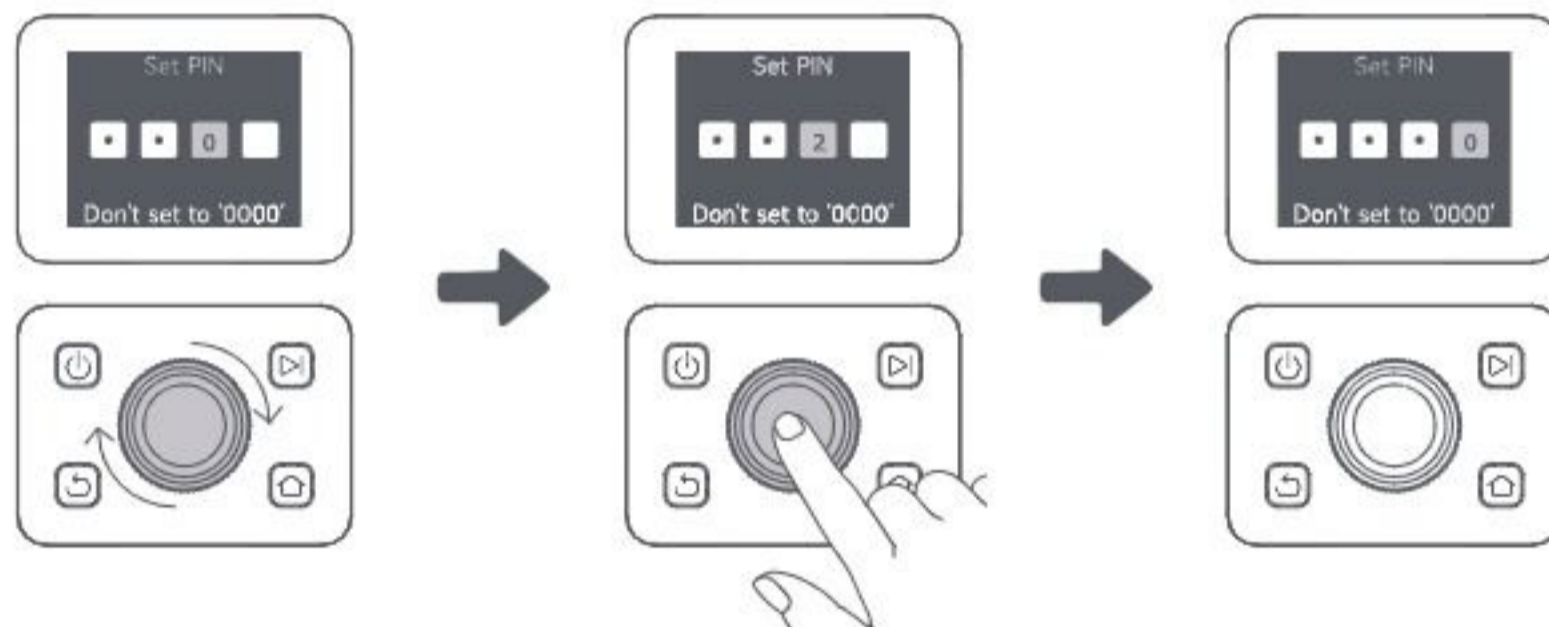
Faites pivoter la molette dans le sens horaire pour descendre et dans le sens antihoraire pour monter afin de sélectionner votre langue. Appuyez sur la molette pour confirmer.



4 Définir le code PIN

1. Faites pivoter la molette pour sélectionner un chiffre de 0 à 9. Faites pivoter dans le sens horaire pour augmenter le chiffre et dans le sens antihoraire pour le diminuer. Appuyez sur la molette pour confirmer et régler le chiffre suivant. Pour modifier le chiffre précédent, faites pivoter la molette dans le sens inverse des aiguilles d'une montre jusqu'à ce que le chiffre devienne 0 et continuez à la faire pivoter une fois de plus.

Important : veuillez ne pas définir le code PIN sur « 0000 ».



2. Saisissez à nouveau le code PIN pour terminer la définition du code PIN.

Remarque : si les deux mots de passe ne correspondent pas, veuillez définir à nouveau le nouveau mot de passe.

5 Connexion du robot à Internet

Veuillez scanner le code QR pour télécharger l'application Dreamehome sur votre appareil mobile. Après l'installation, veuillez créer un compte et vous connecter.



Vous pouvez également télécharger l'application Dreamehome depuis l'App Store ou Google Play.





Le robot prend en charge la connectivité 4G et intègre un GPS. Cependant, pour garantir des performances optimales, nous vous recommandons de configurer une connexion Wi-Fi.

Avant la configuration du réseau :

- Assurez-vous que le robot et votre appareil mobile sont sur le même réseau Wi-Fi.
- Assurez-vous que votre appareil mobile se trouve à moins de **10 m** du robot.
- Activez la fonction Bluetooth sur votre appareil mobile.

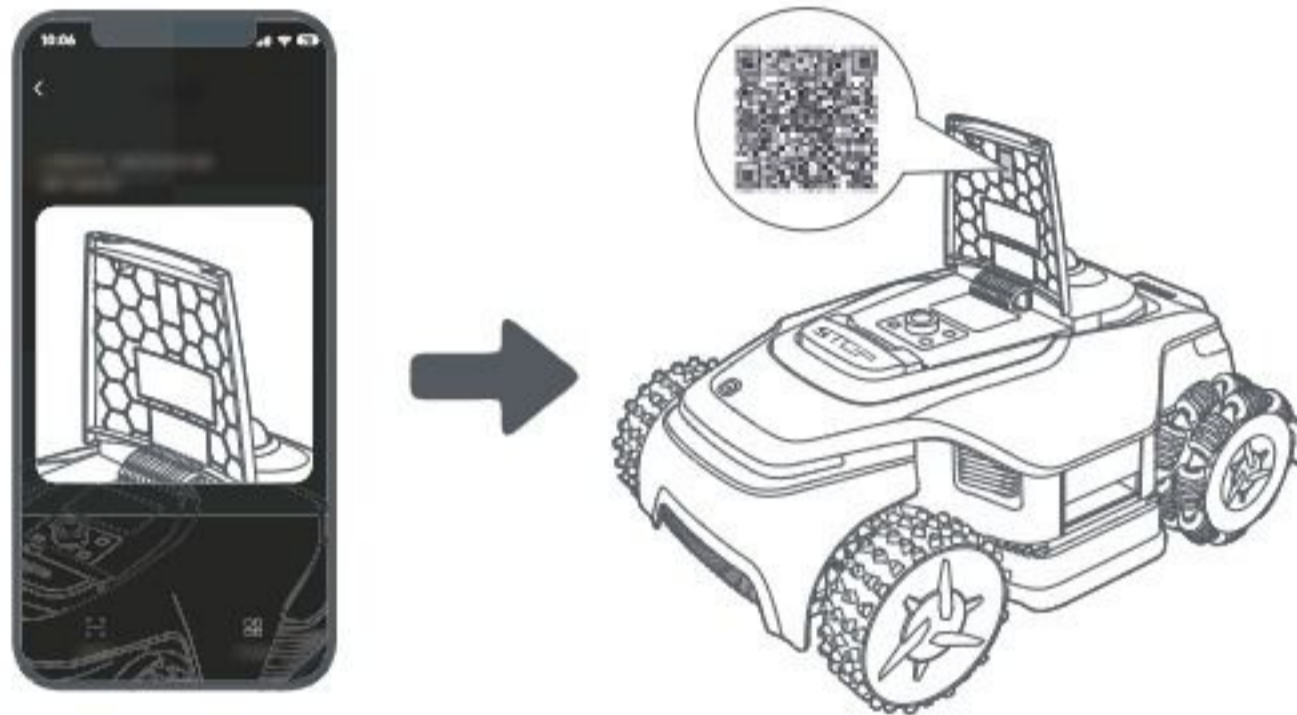
1. Ouvrez l'application Dreamehome.

2. Vous pouvez vous connecter à l'aide de l'une des méthodes suivantes :

a. Scannez le code QR : allez dans  **Appareil** et appuyez sur  **Scannez le code QR pour vous connecter**. Scannez le code QR situé à l'intérieur du couvercle du robot pour vous connecter.

b. Ajoutez manuellement : allez dans  **Appareil** et appuyez sur **+ Ajouter**. Sélectionnez ensuite votre modèle de robot pour vous connecter.

c. Découverte automatique : le robot recherche les appareils à proximité. Appuyez sur votre robot dans la liste des appareils découverts pour le connecter.

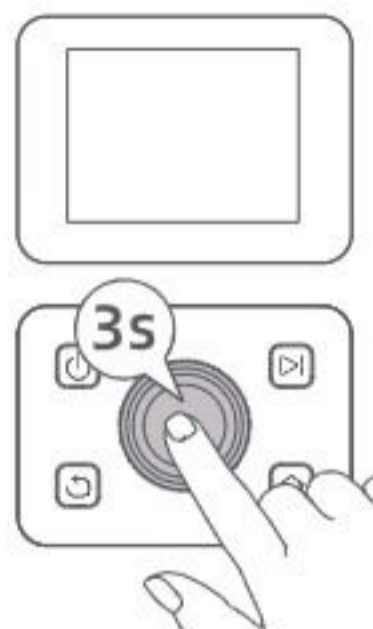


3. suivez les instructions de l'application pour terminer la connexion au réseau Wi-Fi.

Important : Utilisez un réseau à bande unique avec une fréquence de 2,4 GHz ou un réseau à double bande avec une fréquence de 2,4/5 GHz.

Important : Assurez-vous que votre réseau Wi-Fi ne dispose pas d'un pare-feu et n'est pas crypté. Sinon, la configuration du réseau pourrait échouer.

4. Appuyez sur la molette du panneau de contrôle et maintenez-le enfoncé pendant 3 secondes. Le robot passe en mode d'appairage Bluetooth.




5. Suivez les instructions de l'application pour terminer l'appairage.

Comment dissocier le robot ?

Le robot est automatiquement associé au compte Dreamehome une fois l'association terminée. Chaque dispositif ne peut être associé qu'à un seul compte. Il ne peut pas être associé à un autre compte en même temps.



Pour associer le robot à un nouveau compte, vous devez d'abord le dissocier. Pour le dissocier :

1. Ouvrez l'application Dreamehome. Allez à  **Appareil**.
2. Si plusieurs robots sont associés à votre compte Dreamehome, balayez vers la gauche ou vers la droite pour accéder à la page du robot que vous souhaitez modifier.
3. Appuyez sur  dans le coin supérieur droit.
4. Sélectionnez  **Supprimer**.

Comment partager votre robot ?

1. Appuyez sur  dans le coin supérieur droit.
2. Appuyez sur  **Partage d'appareil**.

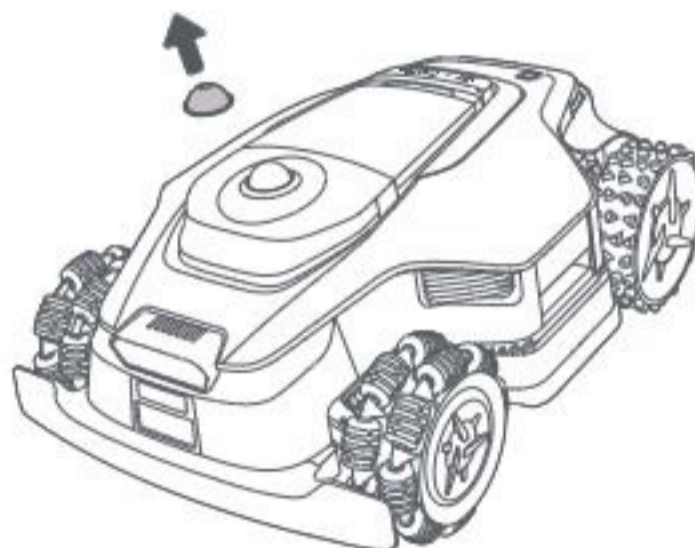
Comment se déconnecter de son compte Dreamehome ou le supprimer ?

1. Allez à  **Moi** >  > **Compte**.
2. Sélectionnez **Se déconnecter** ou **Supprimer le compte**.

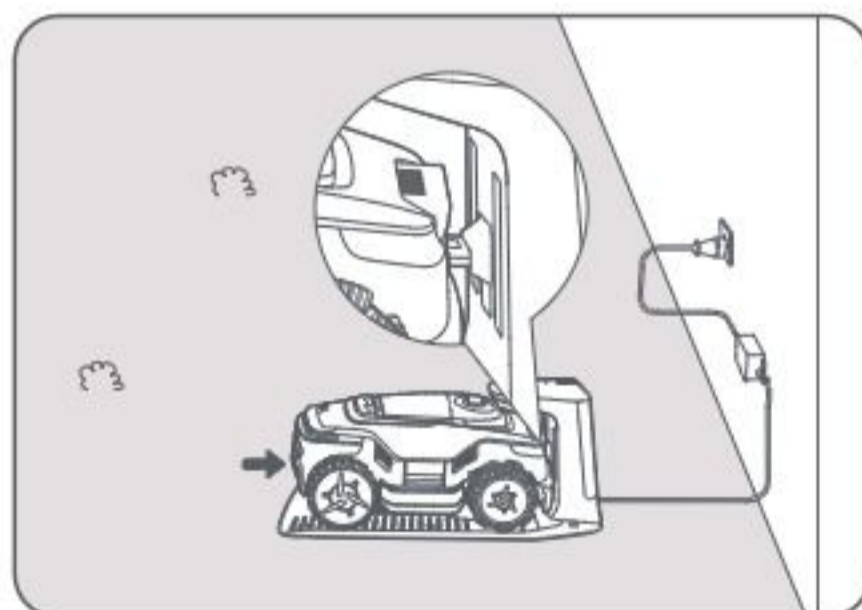
5 Cartographiez votre jardin

Avant de procéder à la cartographie, veuillez vérifier les points suivants :

- Le niveau de batterie du robot est supérieur à 50 %.
- Le couvercle de protection du LiDAR est retiré.



- Le couvercle supérieur est fermé.
- Le robot se connecte correctement à la station de charge.



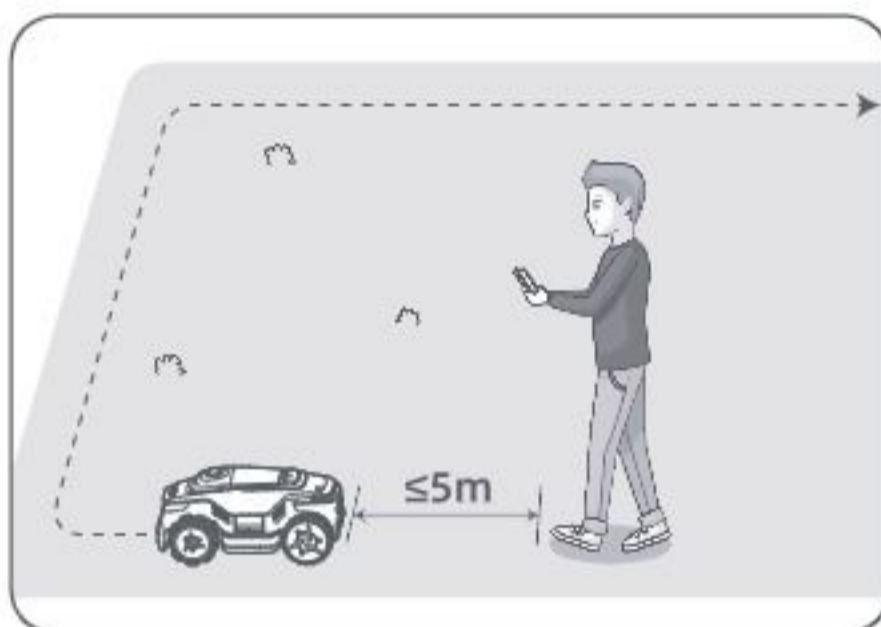
5.1 Création de frontière virtuelle

Avant de commencer le processus de cartographie, veuillez garder à l'esprit les points suivants :

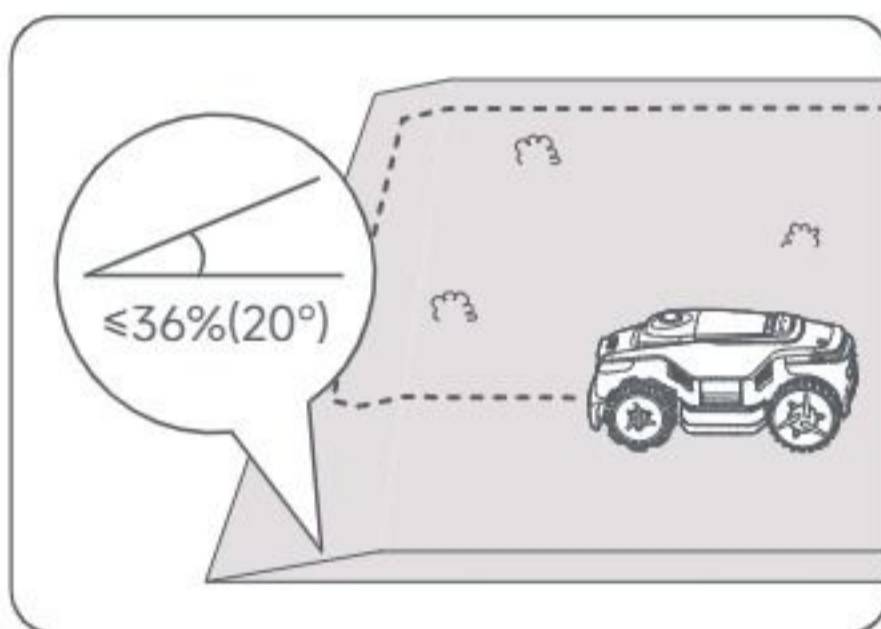
Important : ne déplacez pas manuellement le robot pendant la création de la limite, sans quoi le mappage pourrait échouer.

Important : lorsque la cartographie commence, n'amarrez pas le robot à distance à la station de charge avant que le processus de cartographie soit terminé. Dans le cas contraire, le LiDAR peut être bloqué, ce qui peut entraîner un échec de la cartographie.

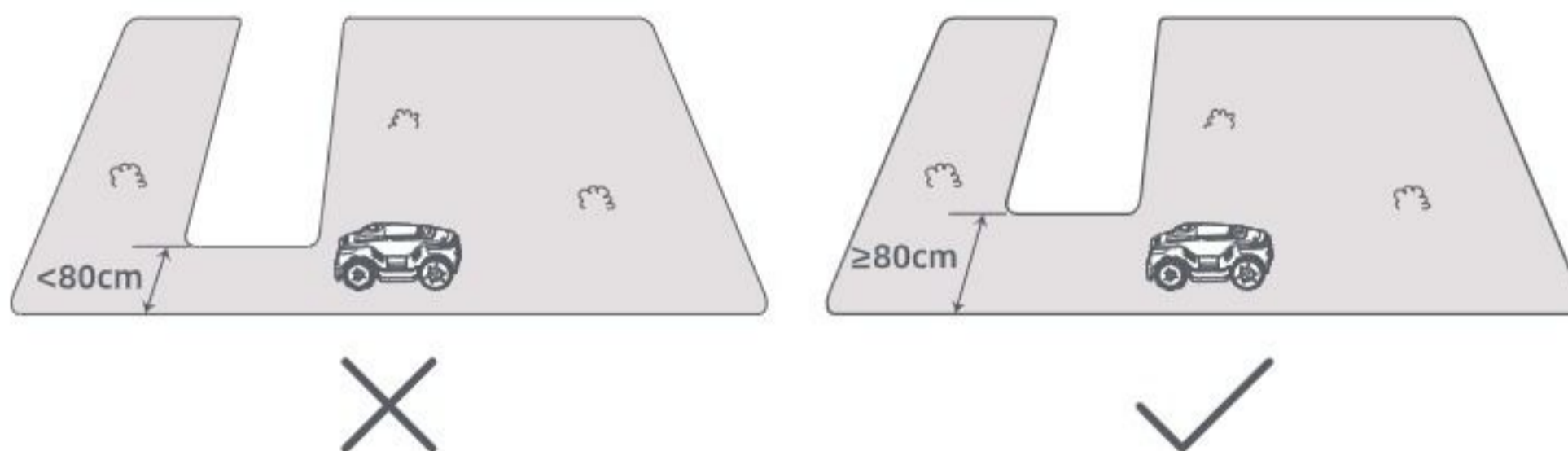
- Restez à moins de **5 m** derrière le robot pendant le processus de cartographie.



- Le robot peut franchir des pentes dont l'inclinaison peut atteindre **80 % (38°)**. Cependant, pour obtenir de meilleurs résultats de tonte, il est recommandé de maintenir la pente des zones de travail en dessous de **36 % (20°)**.

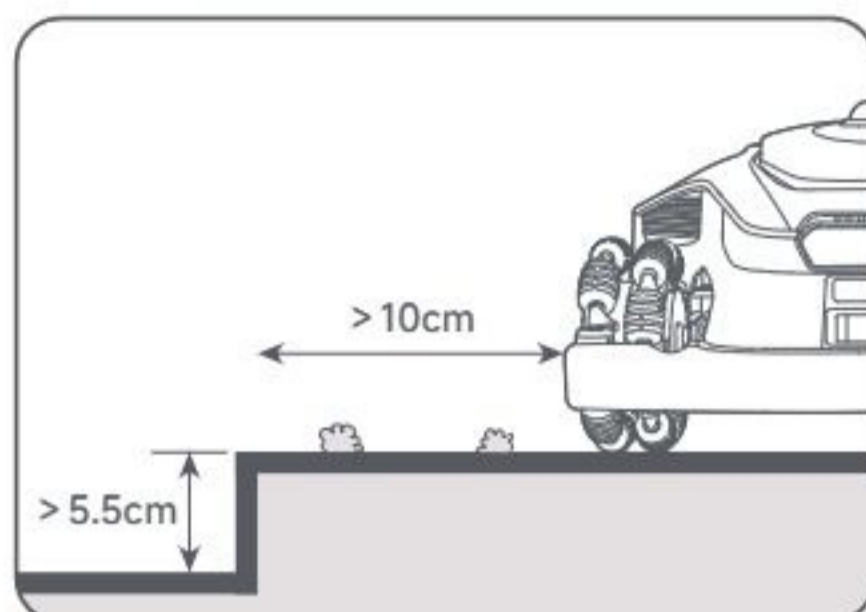


- Pour les zones plus étroites que **80 cm**, veuillez les placer comme chemins pour permettre au robot de passer (voir la section 5.4 : Définition d'un chemin).

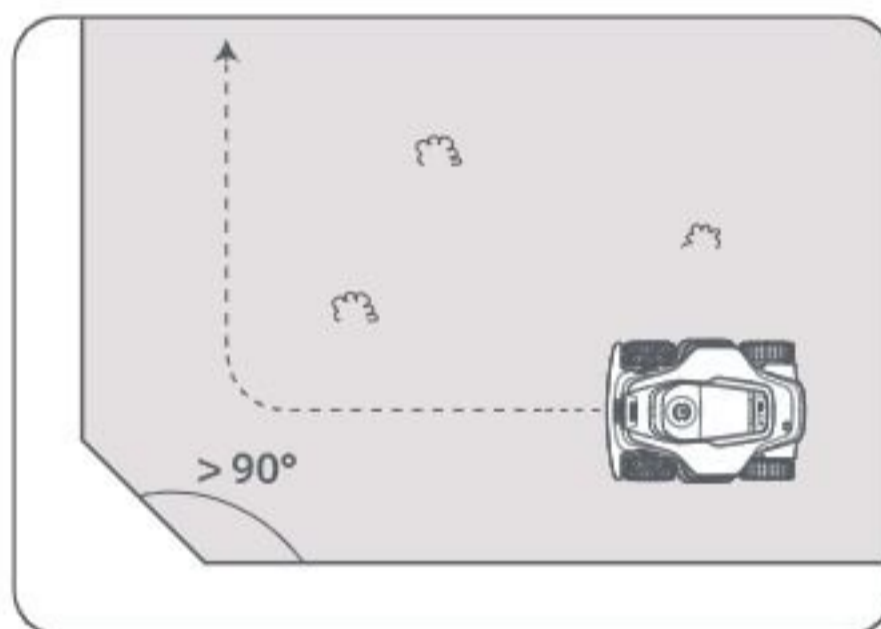


DREAME

- Si votre pelouse dépasse de plus de **5,5 cm** le sol adjacent, maintenez le robot à au moins **10 cm** du bord. Si votre pelouse est au même niveau que le sol adjacent, le robot peut traverser le périmètre pour obtenir des résultats de tonte optimaux le long des bords.

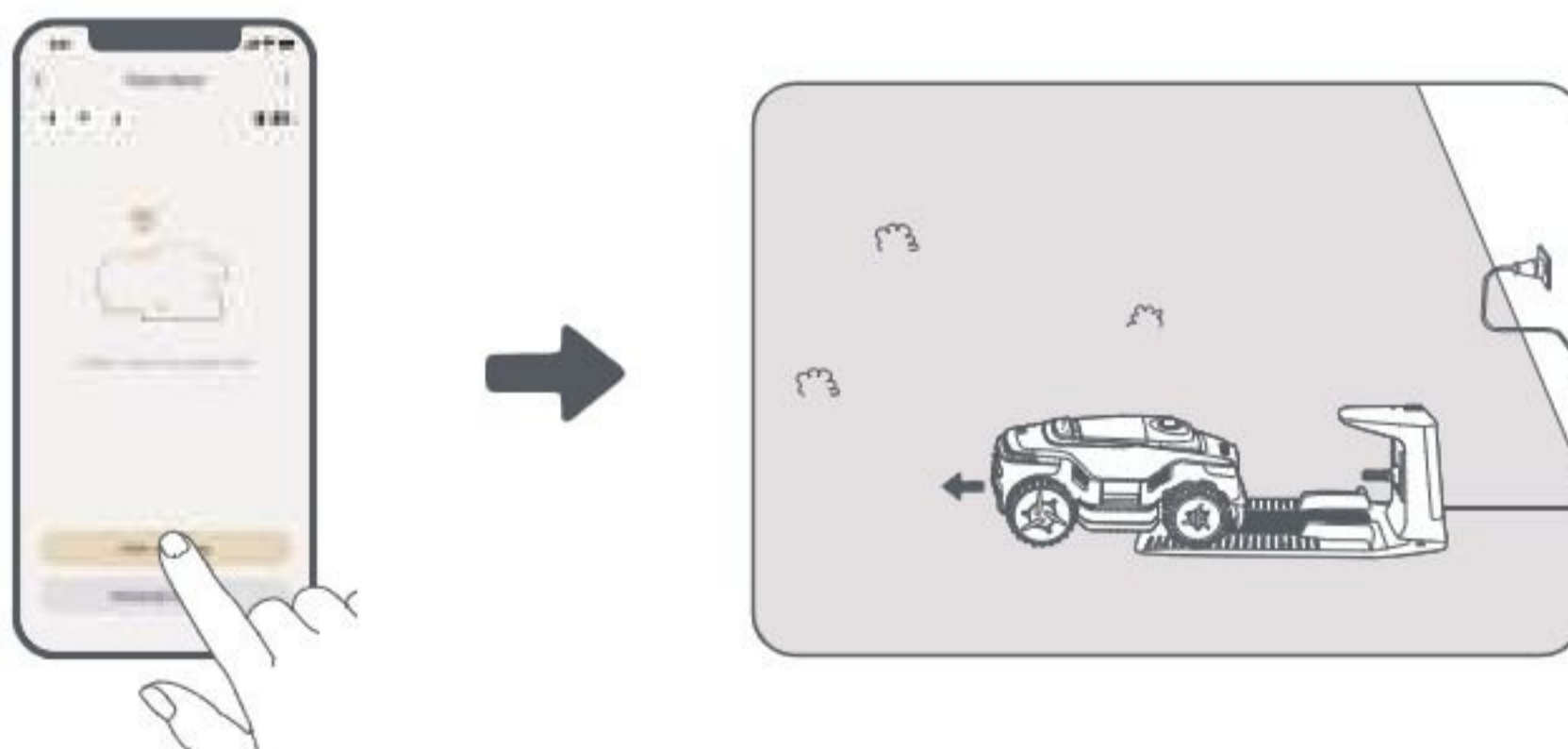


- Assurez-vous que les angles de rotation sont supérieurs à **90°**. Pour les angles inférieurs à 90°, il peut être difficile pour le robot d'obtenir une coupe nette.

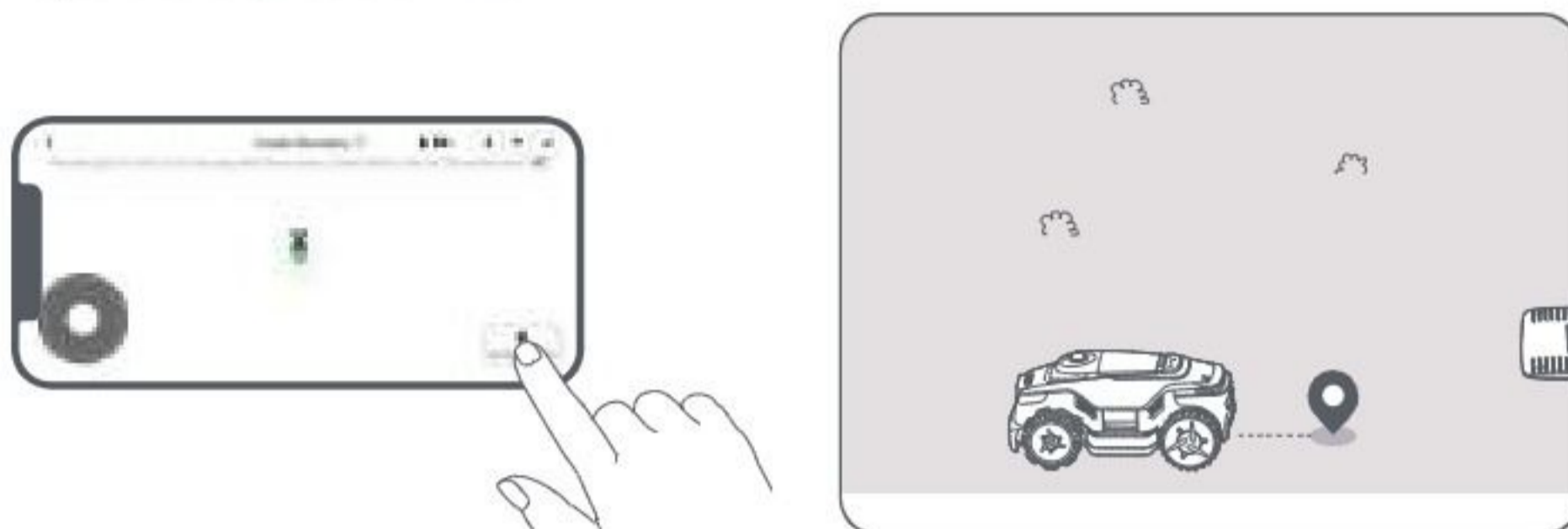


Démarrer la cartographie :

1. Appuyez sur **Démarrer la création** dans l'application. Le robot vérifiera son état et s'étalonnera. Il quittera automatiquement la station de charge pour procéder à l'étalonnage. Soyez prudent.



2. Guidez le robot à distance jusqu'au bord de votre pelouse et appuyez sur **Définir le point de départ** pour établir le point de départ de la limite.



3. Contrôlez à distance le robot pour qu'il se déplace le long du périmètre de votre pelouse afin de cartographier la zone de travail.

Détection automatique des limites

Grâce à un algorithme IA avancé, le robot utilise sa caméra frontale pour détecter les zones herbeuses et non herbeuses, ce qui lui permet d'identifier les limites sans avoir besoin d'être guidé manuellement.

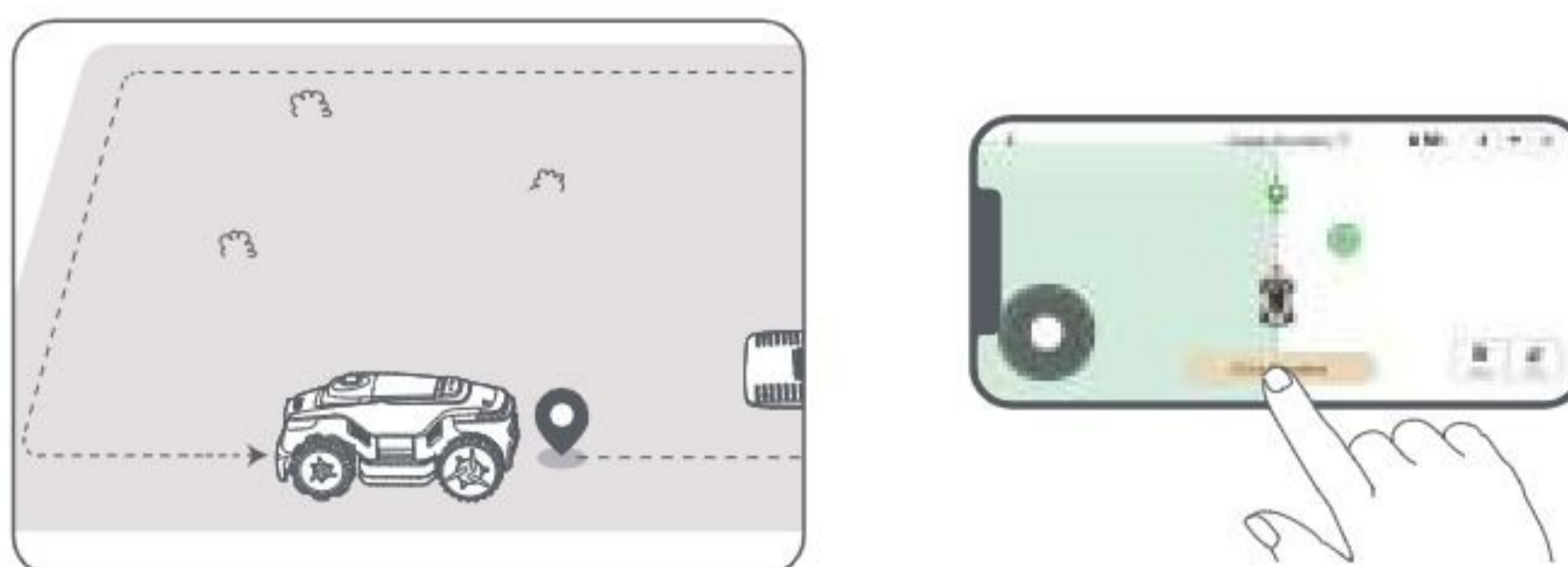
Après avoir guidé le robot à distance jusqu'au bord de la pelouse et défini le point de départ, vous pouvez utiliser le mode **Détection automatique des limites**. Vous pouvez définir si le robot doit franchir le périmètre pour garantir des résultats de coupe plus nets ou rester près de celui-ci pour éviter de rester coincé. Nous vous recommandons de suivre le robot pendant cette opération. Si le robot ne parvient pas à détecter les limites avec précision, vous pouvez quitter le mode de détection automatique des limites et passer à la télécommande à tout moment.

Important : le mode Détection automatique des limites doit être utilisé à la lumière du jour afin de garantir une bonne visibilité. Évitez d'utiliser cette fonction en cas de faible luminosité ou de pluie.


Important : assurez-vous que la caméra frontale du robot est propre et dégagée.

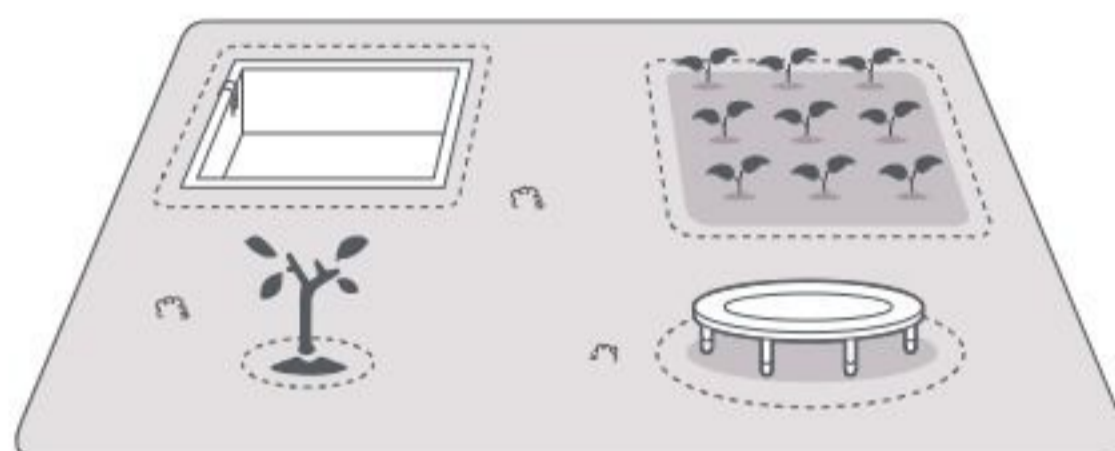


4. Lorsque le robot revient à moins de **1 m** du point de départ, vous pouvez appuyer sur **Fermer la délimitation** et la limite sera automatiquement définie.



5.2 Définir la zone interdite

Bien que le robot puisse éviter automatiquement les obstacles, il est nécessaire de définir les zones présentant un risque de chute, telles que les piscines et les bacs à sable, comme zones interdites. Pour les objets que vous souhaitez protéger (comme un parterre de fleurs, un trampoline, un potager ou une racine d'arbre exposée), veuillez les définir comme des zones interdites. Vous pouvez appuyer sur **Zone interdite** dans l'application pour continuer à créer des zones interdites. Vous pouvez également vous rendre dans  [icon] > **Édition de la carte** pour créer ou supprimer les zones interdites une fois la carte terminée.




5.3 Créer davantage de zones et agrandir les zones existantes

- **Pour créer plus de zones**


Si votre pelouse est séparée par des routes ou si vous avez plusieurs pelouses isolées, vous pouvez appuyer sur **Définir la zone** dans l'application pour continuer à créer des zones de travail. Vous pouvez aussi ajouter, supprimer ou modifier les zones dans  > **Édition de la carte** quand la carte est terminée.



- **Pour étendre des zones existantes**

Pour agrandir une zone existante, appuyez sur **Définir la zone** dans l'application pour créer la zone à inclure. Si les deux zones se chevauchent, elles seront automatiquement fusionnées. Vous pouvez également vous rendre dans  > **Édition de la carte** > **Définir la zone** une fois la cartographie terminée pour agrandir une zone existante.

- **Pour séparer et combiner des zones**

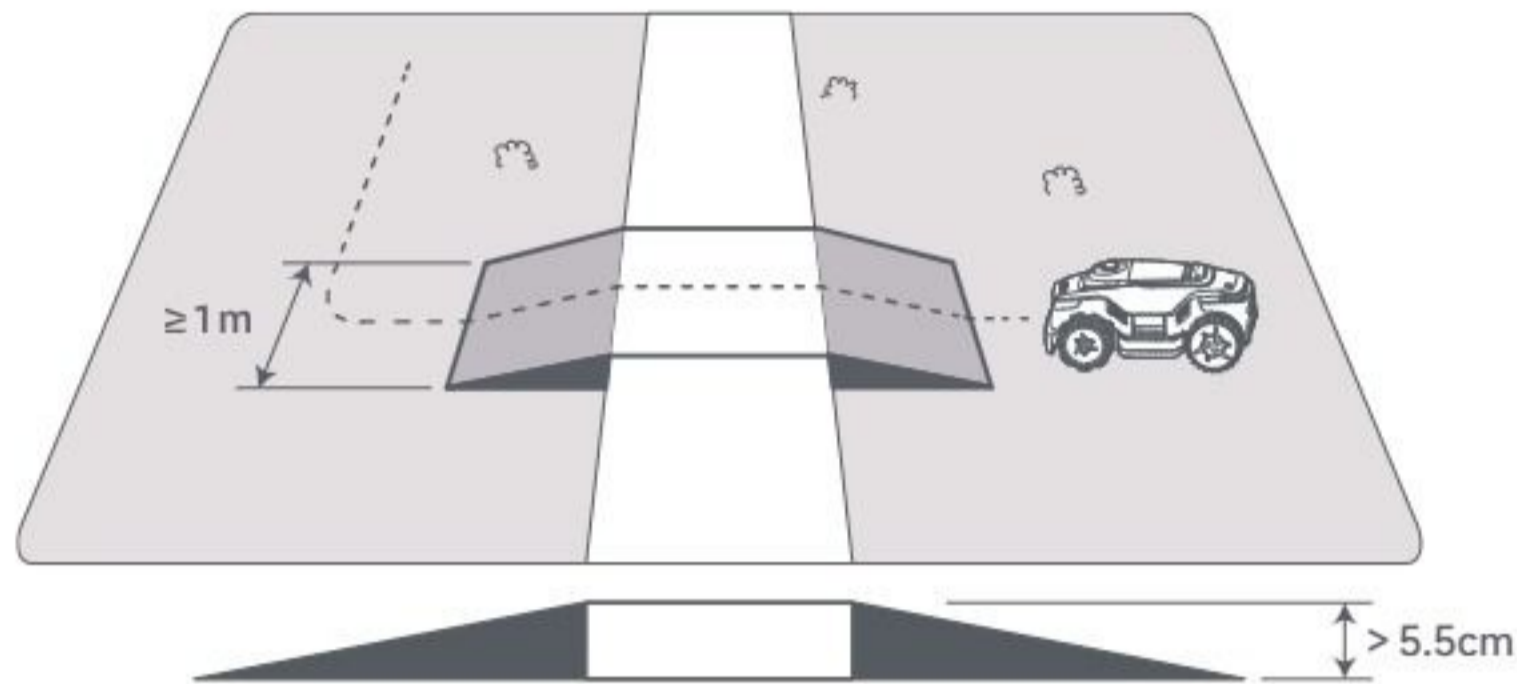
Pour diviser une zone en zones plus petites ou pour fusionner des zones qui ont été divisées à l'aide de l'application en une zone plus grande, accédez à  > **Édition de la carte** > **Paramètres de la zone** et appuyez sur **Diviser la zone** ou **Fusionner** dans l'application.

5.4 Définition d'un chemin

Pour les zones isolées, veuillez créer un chemin pour les relier. Les zones isolées sans chemin seront inaccessibles au robot.

Remarque : par défaut, le robot se déplace uniquement le long du chemin sans tondre l'herbe.

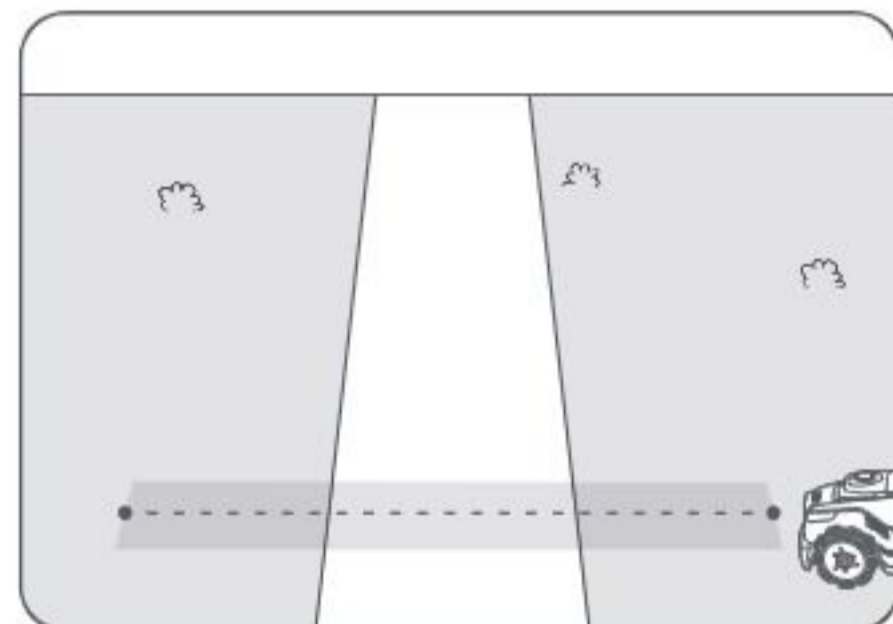
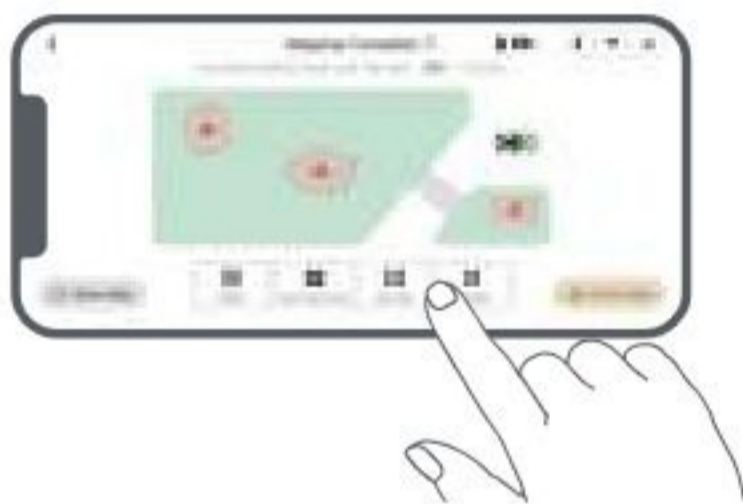
Important : si votre pelouse est divisée par des passages d'une hauteur supérieure à **5,5 cm**, placez un objet dont la pente est égale à la hauteur du passage (une rampe, par exemple).



- **Pour relier deux zones de travail isolées**

Pour les zones isolées, veuillez créer des chemins pour les relier, sinon elles seront inaccessibles au robot. Appuyez sur **Définition d'un chemin** pour créer un chemin d'accès.

Important : Assurez-vous que le début et la fin du chemin se trouvent dans la zone de travail.

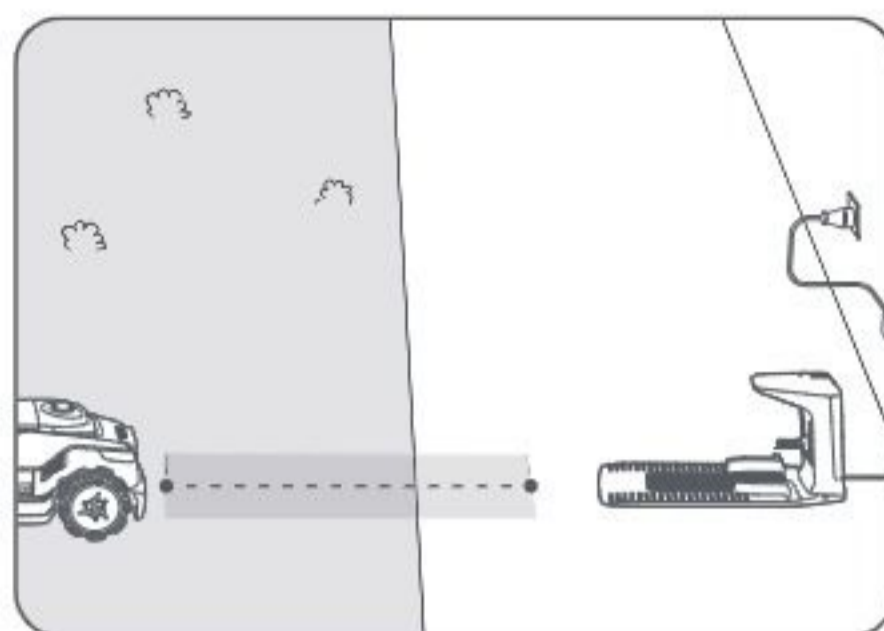
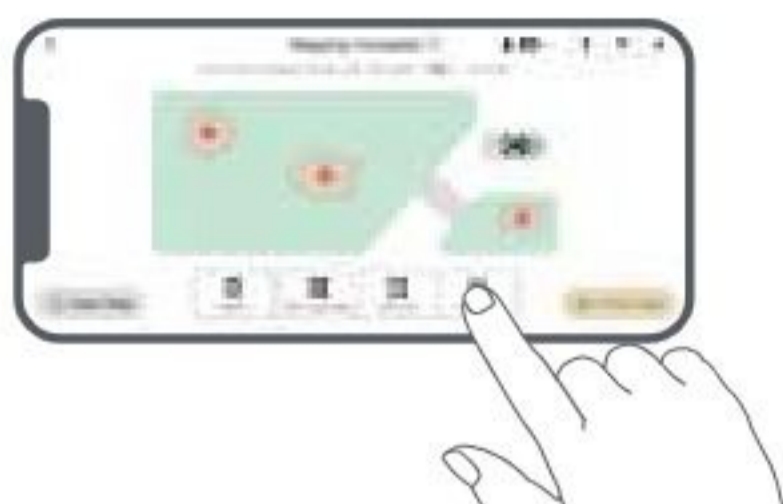


- **Pour connecter la zone de travail et la station de charge**

Si votre station de charge ne se trouve pas dans la zone de travail, vous devez créer un chemin pour la relier à la zone de travail. Appuyez sur **Définition d'un chemin** pour créer un chemin permettant au robot de retourner à la station de charge.

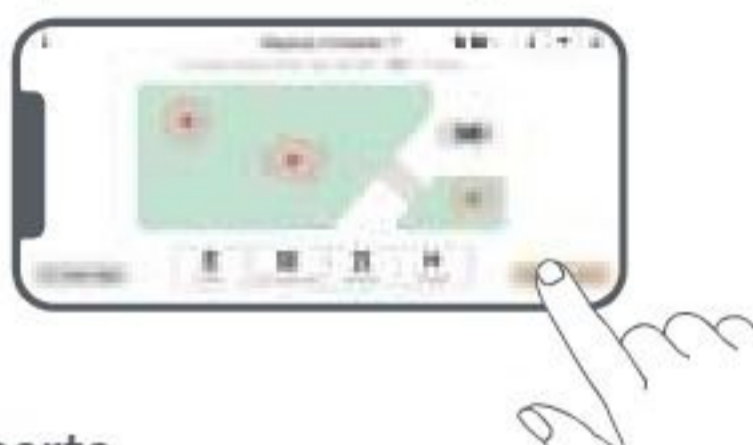
Important : Assurez-vous qu'une extrémité se trouve à l'intérieur de la zone de travail et que l'autre extrémité se trouve juste devant la station de charge. Il est conseillé d'aligner le chemin sur la station de charge.

Important : Lorsque vous créez des chemins pour relier la zone de travail et la station de charge, n'amarrez pas le robot à distance à la station de charge. Dans le cas contraire, le LiDAR peut être bloqué, ce qui peut entraîner un échec de la cartographie.



5.5 Terminer la carte

Appuyez sur **Terminer la carte** lorsque les zones de travail, les chemins et les zones interdites sont terminés.



5.6 Ajout d'une deuxième carte

S'il n'y a pas de chemin entre votre jardin de devant et votre jardin de derrière, vous pouvez créer une deuxième carte. Après la fin de la première carte, appuyez sur **Ajouter une carte** pour continuer et créer la deuxième. Sinon, vous pouvez aller vers  > **Édition de la carte** et appuyez sur **Ajouter une carte** une fois la cartographie terminée. Une fois que vous avez terminé la deuxième carte, vous pouvez passer d'une carte à l'autre via  > **Édition de la carte**.

Remarque : Après avoir changé de carte, les programmes et les paramètres de tonte de la carte actuelle seront appliqués.

Remarque : Vous pouvez acheter une station de charge supplémentaire à installer sur la deuxième carte pour plus de commodité. Avec une station de charge séparée installée dans la deuxième carte, il vous suffit de déplacer manuellement le robot entre les deux cartes.

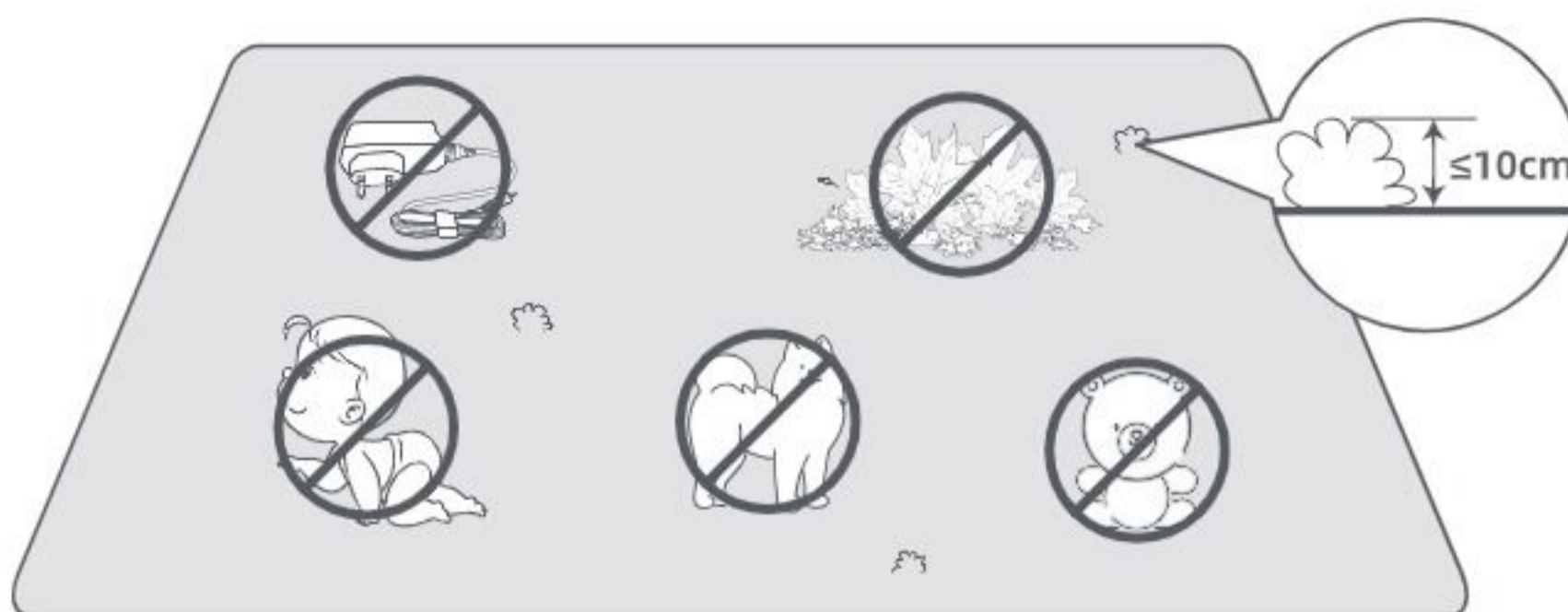


6 Fonctionnement

6.1 Tonte pour la première fois

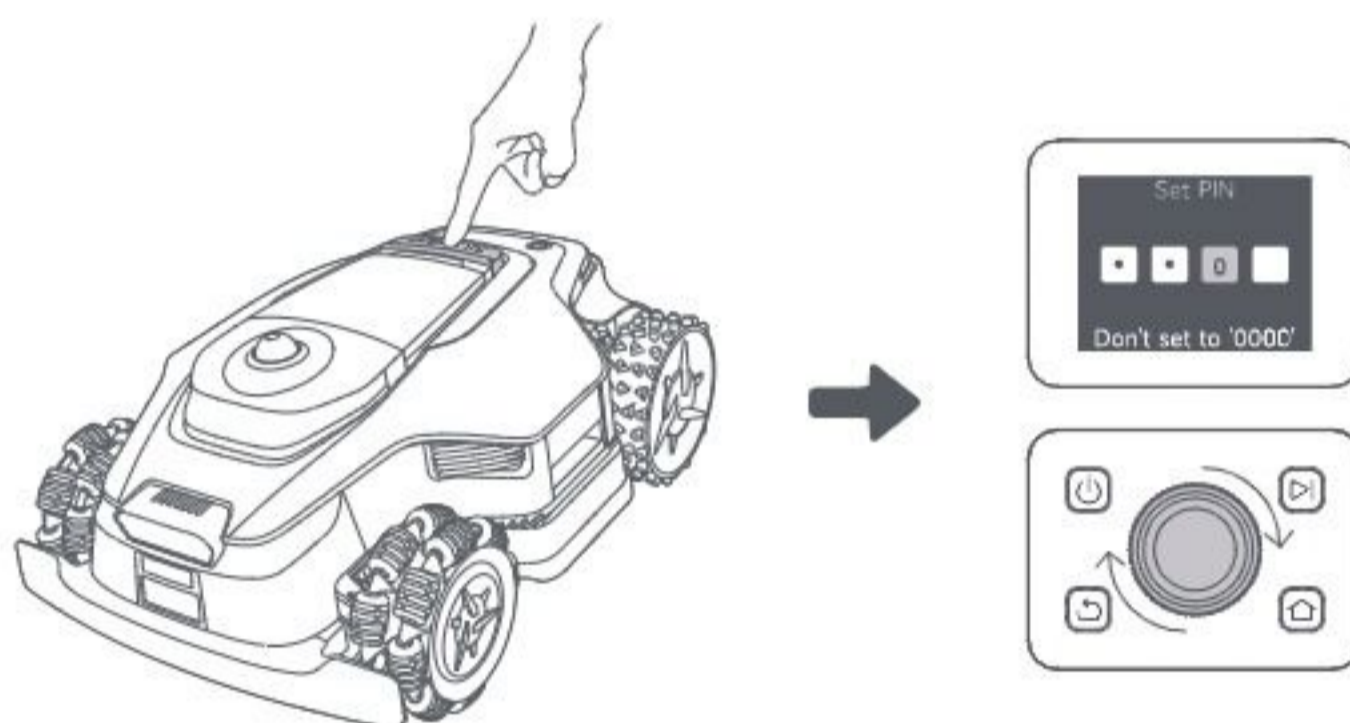
Conseils avant de tondre :

- Utilisez une tondeuse à main pour tondre l'herbe à une hauteur maximale de 10 cm.
- Débarrassez la pelouse de tous les obstacles, notamment les débris, les tas de feuilles, les jouets, les fils et les pierres. Assurez-vous qu'aucun enfant ni animal domestique ne se trouve sur la pelouse lorsque le robot tond.
- Comblez les trous dans la pelouse.
- Définissez les préférences de tonte dans l'application à l'avance (par exemple, efficacité de la tonte, hauteur de tonte et direction de la tonte).
- Cartographiez votre jardin.



a) Démarrage via le panneau de contrôle

1. Appuyez sur le bouton **Arrêt**, soulevez le couvercle supérieur et entrez le code PIN.



2. Sélectionnez « Modes » sur l'écran et appuyez sur la molette.



3. Faites pivoter la molette pour sélectionner le mode de tonte.



4. Appuyez sur le bouton **▶**, puis **fermez le couvercle supérieur** dans les 5 secondes. Le robot quittera la station de charge et commencera à tondre toute la surface. Vous pouvez également appuyer sur **Démarrer** dans l'application pour commencer à tondre.



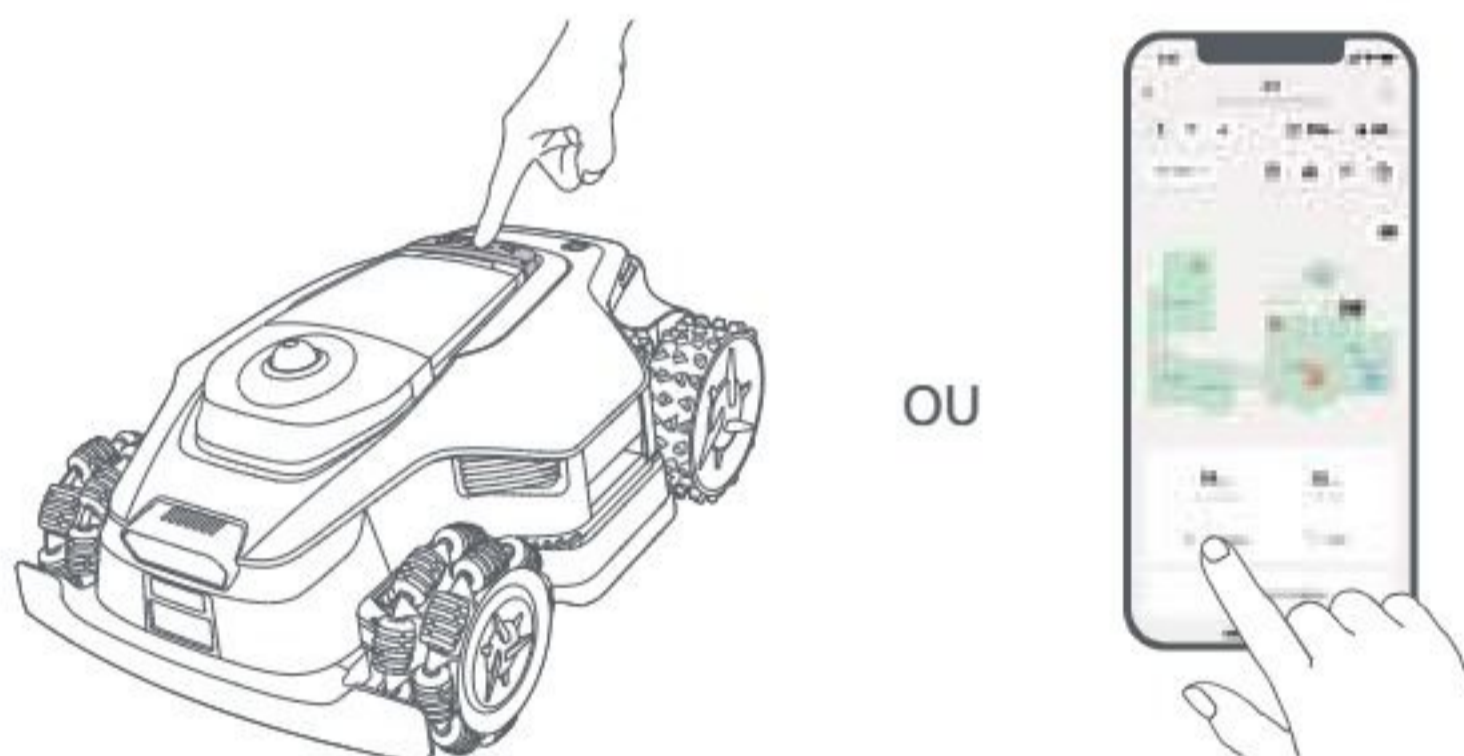
b) Démarrage via l'application

1. Ouvrez l'application.
2. Sélectionnez un mode de tonte et appuyez sur **Démarrer** pour commencer à tondre.

6.2 Pause

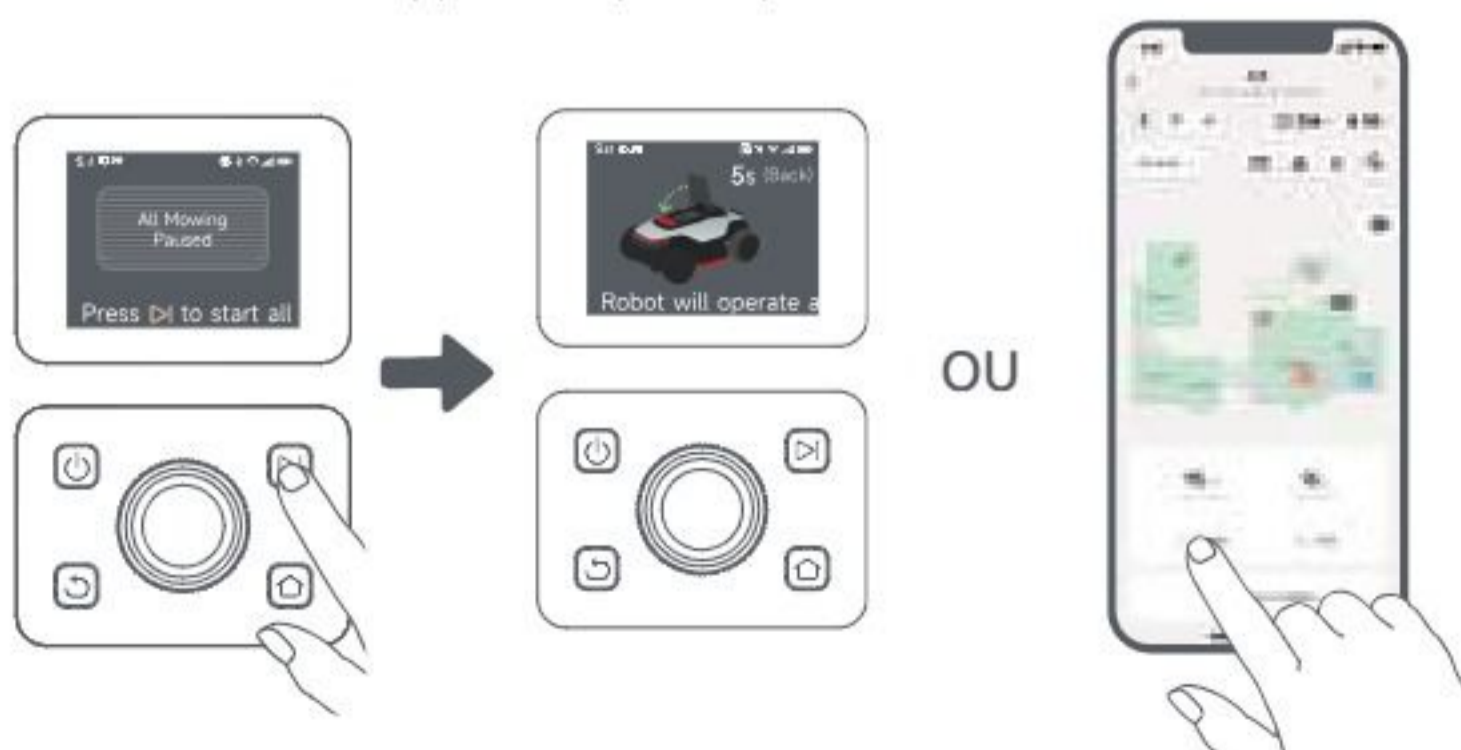
Pour mettre en pause la tâche de tonte en cours, vous pouvez appuyer sur le bouton **Arrêter** du robot ou toucher **Pause** dans l'application.

Remarque : le robot ne peut pas être démarré directement via l'application après avoir appuyé sur le bouton **Arrêt**. Pour reprendre l'opération, entrez votre code PIN sur le panneau de contrôle.




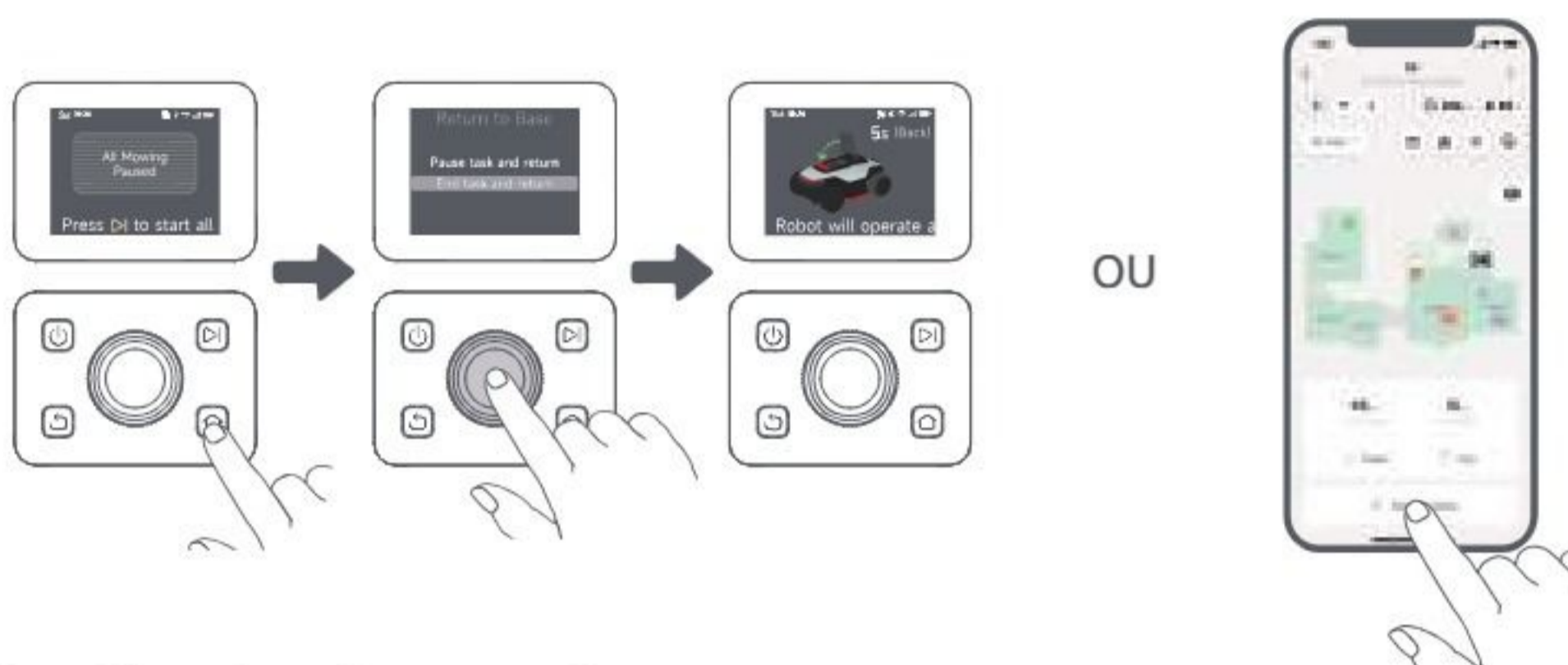
6.3 Reprise

Pour reprendre la tâche lorsque le robot est en pause, appuyez sur le bouton **▶**, puis **fermez le couvercle supérieur** dans les 5 secondes. Le robot reprend la tâche de tonte précédente. Vous pouvez également appuyer sur **Continuer** dans l'application pour reprendre la tonte.



6.4 Retour à la station de charge

Pour renvoyer le robot à sa station de charge, appuyez sur  sur le panneau de contrôle. Confirmez pour mettre en pause ou annuler la tâche en cours, puis **fermez le couvercle supérieur** dans les 5 secondes. Le robot retournera automatiquement à la station de charge pour se recharger. Vous pouvez également sélectionner **Démarrer le retour à la station** dans l'application pour renvoyer le robot.



7 Application Dreamehome

Où vous pouvez en savoir plus


L'application Dreamehome est bien plus qu'une télécommande. Cette application vous permet d'effectuer de nombreuses opérations : régler divers paramètres à distance, tester différents modes de tonte, modifier librement la carte et ajuster des programmes de tonte.

7.1 Modes de tonte

Le robot offre différents modes de tonte. Vous pouvez passer d'un mode à l'autre via l'application, notamment la tonte de toute la surface, la tonte par zone, la tonte des bords, la tonte localisée et le mode manuel.




7.2 Formes de tonte

Personnalisez l'aspect de votre pelouse en ajoutant des formes via  > **Édition de la carte** > **Formes** dans l'application. Les formes définies seront exclues de la tonte dans tous les modes de tonte. Vous pouvez modifier leur position, leur taille ou les supprimer dans **Formes**.




7.3 Système de coupe EdgeMaster™ 2.0

Grâce à la technologie EdgeMaster™ 2.0, les disques peuvent se déployer vers l'extérieur lors de la tonte de la bordure de votre pelouse, garantissant une distance disque-bordure inférieure à 3 cm pour une coupe de bordure complète et précise. Cette fonction optimise la couverture de coupe et embellit votre pelouse. Accédez à  > **Paramètres de la tonte en bordure** > **EdgeMaster™** dans l'application.



7.4 Programme

Une fois la première carte établie, le robot crée automatiquement deux programmes de tonte hebdomadaire en fonction de la taille de la pelouse, à savoir « **Programme printemps/été** » et « **Programme automne/hiver** ». Vous pouvez appuyer sur  dans l'application pour définir des paramètres détaillés pour le programme. Grâce à la fonction de programmation, vous pouvez laisser le robot se charger entièrement de la tonte quotidienne. Il vous suffit d'entretenir régulièrement le robot.

Remarque : Si vous craignez que le robot ne vous dérange ou ne dérange vos voisins lorsqu'il fonctionne de manière autonome à certaines heures, vous pouvez accéder à **Paramètres** > **Ne pas déranger** définir l'heure de la fonction **Ne pas déranger** dans l'application.



7.5 Verrouillage parental

Si vous craignez que des enfants puissent utiliser le robot, accédez à **Paramètres** et activez la fonction **Verrouillage parental** dans l'application. Quand cette option est activée, le robot est verrouillé si aucune opération n'est effectuée pendant 5 minutes lorsque le couvercle est ouvert.



7.6 Protection contre la pluie

Si vous craignez que le mauvais temps puisse affecter les travaux de tonte, vous pouvez activer la fonction **Protection contre la pluie** dans **Paramètres** sur le panneau de contrôle ou dans l'application. Lorsque cette fonction est activée, le robot interrompt automatiquement la tonte et retourne à la station de charge lorsqu'il pleut. Vous pouvez régler la durée de protection contre la pluie dans l'application.

Remarque : Tondre de l'herbe mouillée peut endommager votre pelouse. Il est conseillé de prolonger la durée de la protection pour permettre à l'herbe de sécher avant de la tondre à nouveau.



7.7 Protection contre le gel

Si la température descend en dessous de **6 °C**, la tonte peut endommager la pelouse de manière irréversible. Par mesure de sécurité, la batterie ne se chargera pas. Pour l'éviter, vous pouvez activer la fonction **Protection contre le gel** dans les **Paramètres**, soit via le panneau de contrôle, soit via l'application. Cela met automatiquement la tonte en pause et renvoie le robot à sa station de charge lorsque la température descend en dessous de **6 °C**. Le robot reprendra la tonte dès que la température dépassera **11 °C**.



7.8 Fonctions de sécurité

Le robot est doté de plusieurs fonctions antivol, alimentées par le GPS intégré pour plus de sécurité. de plus, la caméra frontale peut détecter une présence humaine, ce qui fait du robot un gardien de jardin efficace.



7.8.1 Alarme de levage

Lorsque cette fonction est activée, une alarme retentit immédiatement lorsque le robot est soulevé et celui-ci se verrouille. Pour reprendre le fonctionnement, saisissez d'abord le code PIN sur le robot.



7.8.2 Alarme hors carte

Lorsque cette fonction est activée, le robot est verrouillé et l'alarme se déclenche immédiatement s'il s'éloigne de la carte.



7.8.3 Localisation en temps réel

Lorsque cette fonction est activée, vous pouvez voir la position actuelle du robot sur Google Maps.



7.8.4 Alerte de détection de présence humaine

Lorsque cette fonction est activée, le robot vous avertit lorsqu'il détecte une présence humaine.




7.8.5 Vidéo en temps réel

Appuyez sur  pour afficher un flux vidéo en direct de la caméra frontale du robot, ce qui vous permet de surveiller votre jardin à tout moment, où que vous soyez.



7.8.6 Patrouille

Lorsque le robot est en veille, vous pouvez l'envoyer patrouiller dans des zones ou des endroits spécifiques de votre jardin via l'application. Pour accéder à cette fonctionnalité, allez à  > **Patrouille**.



7.9 Période de recharge personnalisée

Pour personnaliser la période de charge du robot à des heures spécifiques, vous pouvez activer la fonction **Période de charge personnalisée** via **Paramètres > Charge** dans l'application. Lorsqu'il est activé, le robot se recharge à 20 % lorsque le niveau de batterie est faible, à condition qu'il n'y ait pas de tâches de tonte à effectuer. Il ne se chargera complètement que pendant la période de charge spécifiée. Vous pouvez également personnaliser les paramètres de **Niveau de batterie pour la recharge automatique** et de **Niveau de batterie pour la reprise des tâches** afin de définir les niveaux de batterie auxquels le robot retournera automatiquement à la station de charge ou reprendra les tâches de tonte inachevées.



Remarque : L'équipe de développement de Dreame effectuera continuellement des mises à jour **OTA (Par transmission radio)** et de la maintenance sur le micrologiciel et l'application. Vérifiez les notifications de mise à jour ou activez la fonction de **mise à jour automatique** pour maintenir le micrologiciel et l'application à jour et profiter de plus de fonctionnalités.

8 Entretien

Pour améliorer les performances et la durée de vie du robot, nettoyez-le régulièrement et remplacez les pièces usées selon la fréquence indiquée ci-dessous :

Pièce	Fréquence de remplacement
Lames	Toutes les 6 à 8 semaines ou plus tôt

Remarque : Vous pouvez vérifier la durée de vie restante des lames en accédant à l'application **Paramètres > Consommables et maintenance**. Après avoir remplacé les consommables comme demandé, accédez à la page de détails du consommable et appuyez sur **Je l'ai remplacé** pour réinitialiser le minuteur.

Remarque : Si vous avez désigné des zones de votre jardin pour le nettoyage et l'entretien réguliers du robot, vous pouvez définir des points d'entretien sur la carte en accédant à **Paramètres > Aller au point d'entretien > Modifier le point**. Une fois les points de maintenance définis, il vous suffit d'appuyer sur **Go** pour diriger le robot vers les emplacements désignés afin de faciliter l'entretien.

8.1 Nettoyage

Nettoyez régulièrement votre robot pour éviter que l'herbe coupée et la saleté ne s'accumulent et n'obstruent le disque de coupe et les roues motrices, ce qui peut affecter ses performances de tonte, de déplacement vers la station et de déplacement sur le terrain. Nous recommandons d'utiliser un kit de nettoyage, disponible dans les magasins locaux ou en ligne.

⚠ Avertissement : Avant de procéder au nettoyage, veuillez éteindre le robot et débrancher la station de charge.

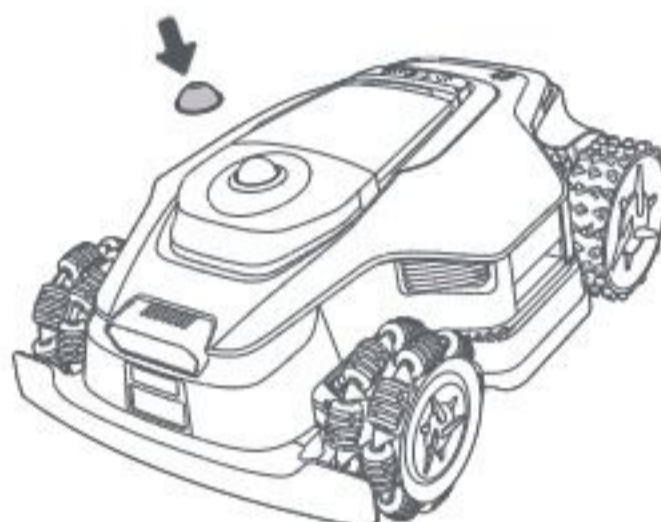
Attention : Assurez-vous que le couvercle de protection LiDAR est sur le LiDAR avant de retourner le robot pour éviter d'endommager le LiDAR.

- Le boîtier, le châssis et le disque de coupe :

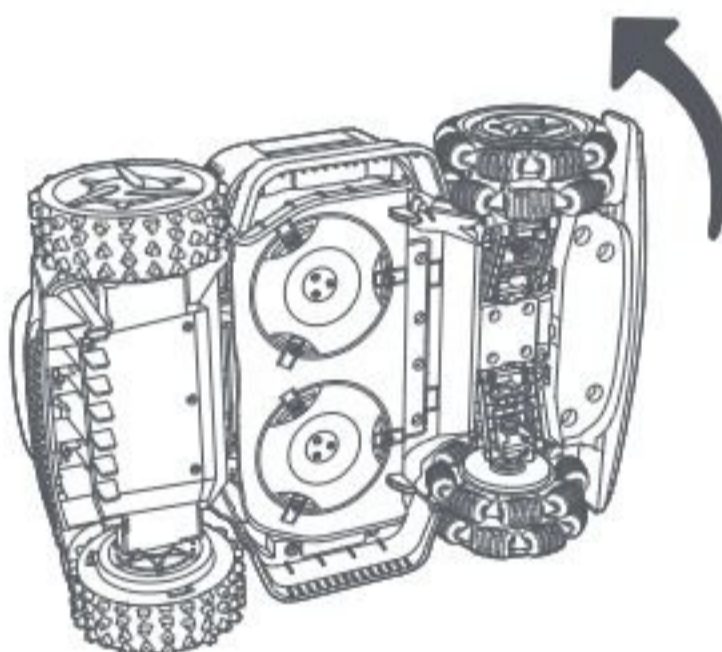
1. Mettez le robot hors tension.



2. Recouvrez le LiDAR de son couvercle de protection.



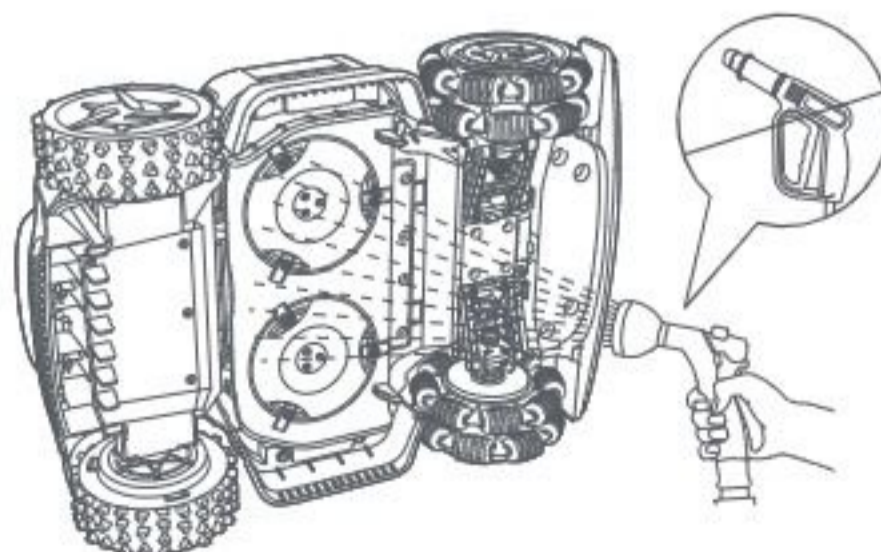
3. Placez le robot sur le côté.



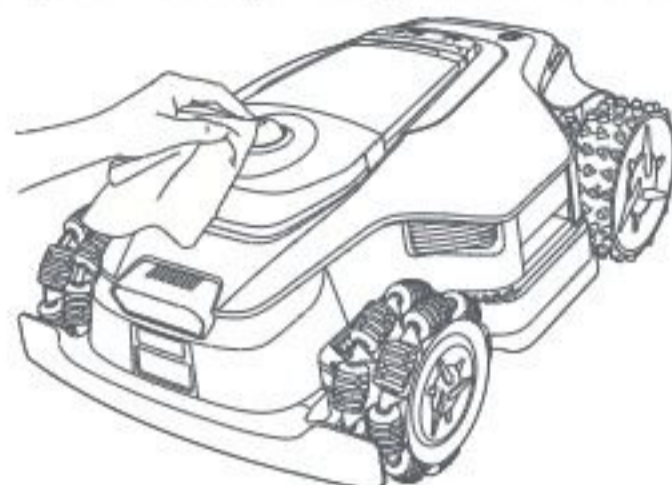
4. Nettoyez le boîtier, le disque de coupe et le châssis avec un tuyau d'arrosage.

⚠ Avertissement : Ne touchez pas les lames lors du nettoyage du châssis. Veuillez porter des gants pour le nettoyage.

Attention : Veuillez ne pas utiliser de nettoyeur haute pression pour le nettoyage. N'utilisez pas de détergents pour le nettoyage.

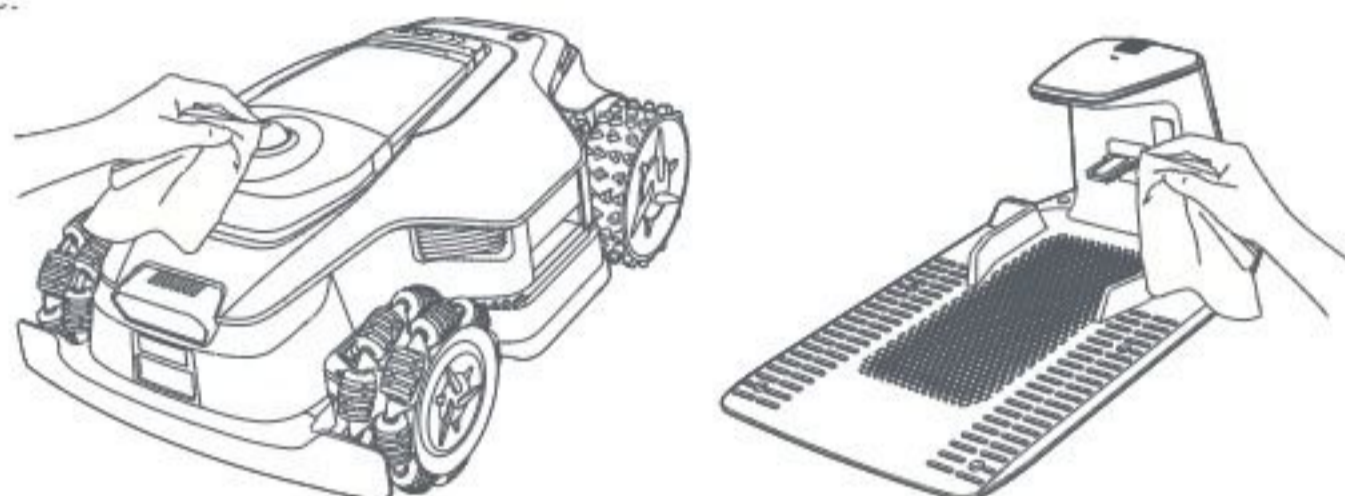


5. Utilisez un chiffon non pelucheux pour nettoyer soigneusement le capteur LiDAR.



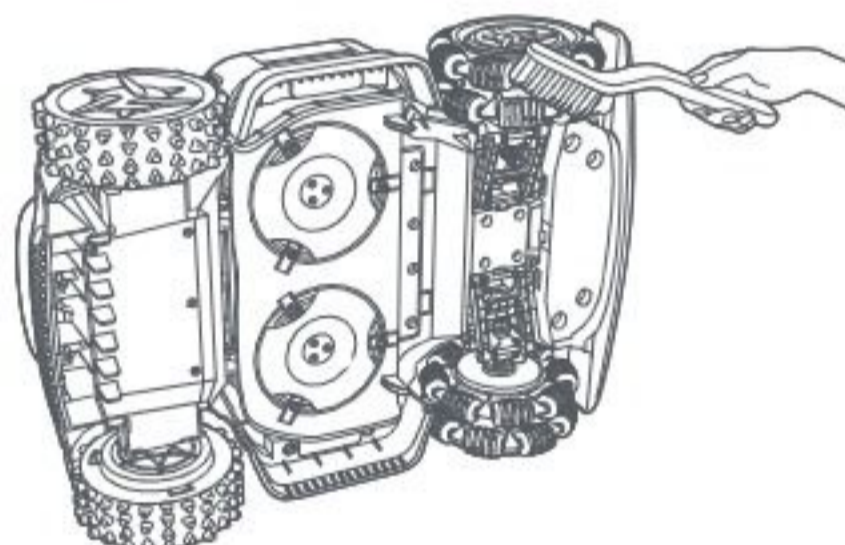
- **Contacts de charge et caméra frontale :**

Utilisez un chiffon propre pour essuyer les contacts de charge du robot et de la station de charge, et nettoyez également la caméra frontale. Veillez à ce que les contacts de charge et la caméra avant restent secs après le nettoyage.



- **Roues motrices :**

Utilisez une brosse pour enlever la boue des roues afin d'assurer une bonne adhérence.



8.2 Remplacement des composants

- **Remplacement des lames**

Pour que les lames restent bien aiguisées, il convient de les remplacer régulièrement. Il est recommandé de remplacer les lames toutes les **6 à 8 semaines** ou plus tôt. Veuillez utiliser uniquement les lames d'origine Dreame (MBKA10/MQBA10).

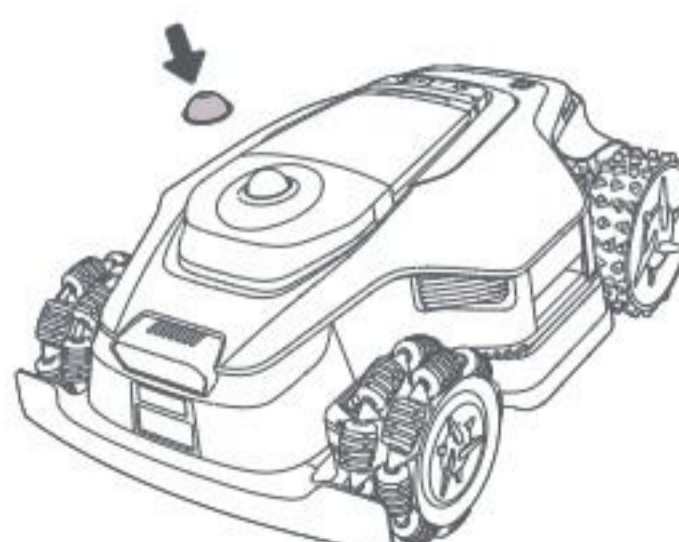
⚠ Avertissement : Veuillez mettre le robot hors tension. Portez des gants de protection avant de remplacer les lames.

Remarque : Veuillez remplacer les trois lames en même temps afin de garantir un système de coupe équilibré.

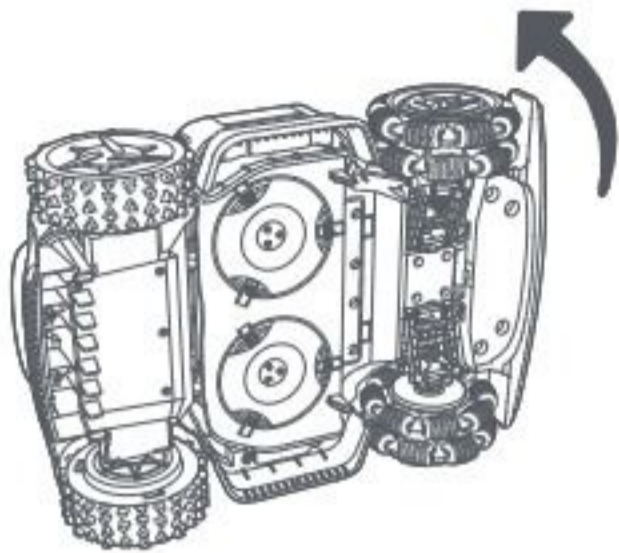
1. Mettez le robot hors tension.



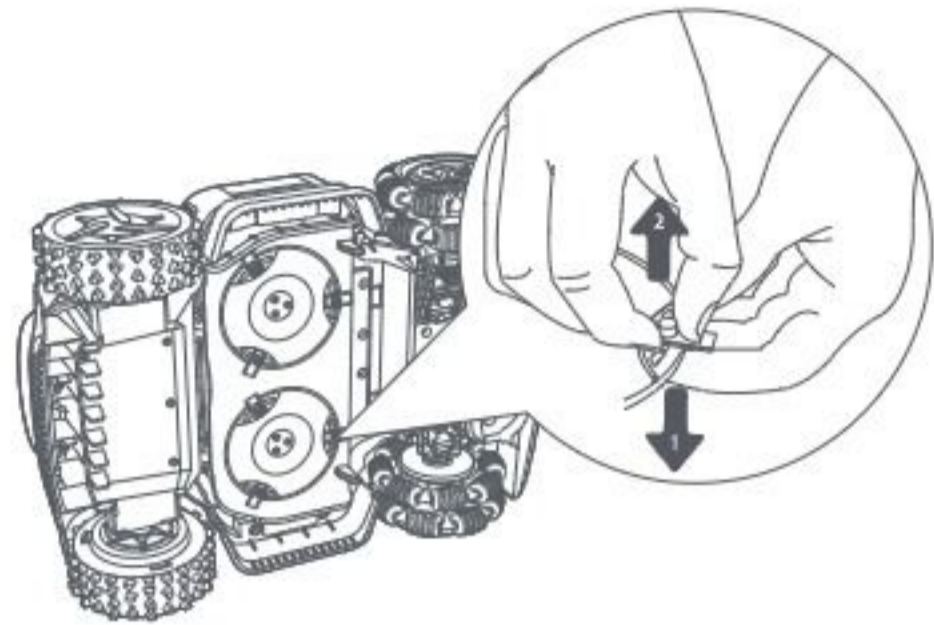
2. Recouvrez le LiDAR de son couvercle de protection.



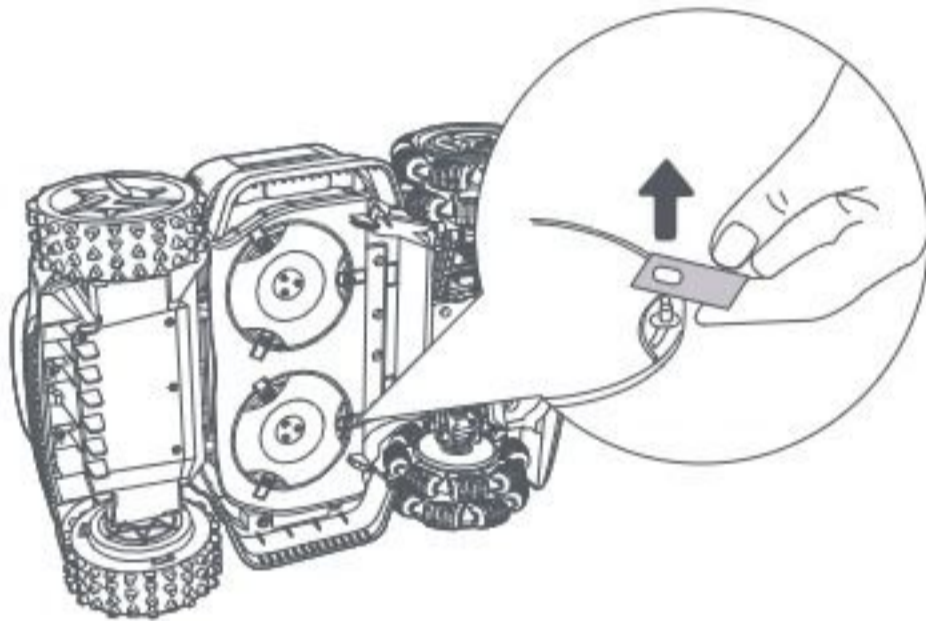
3. Placez le robot sur une surface souple et posez-le sur le côté.



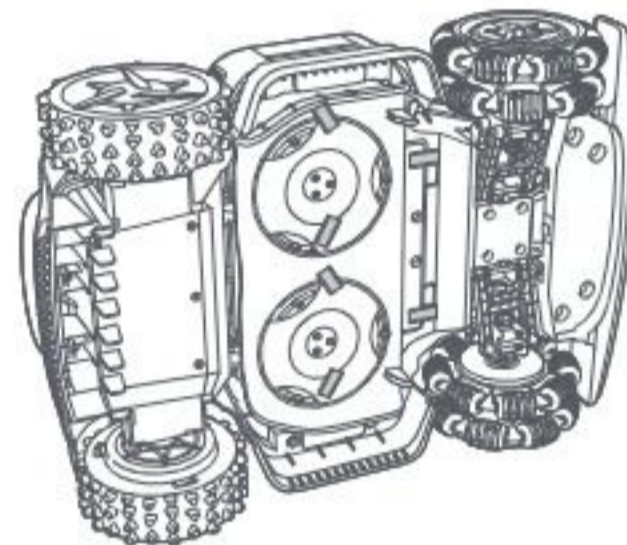
4. Retirez le support en appuyant sur le bouton situé sous le disque de coupe.



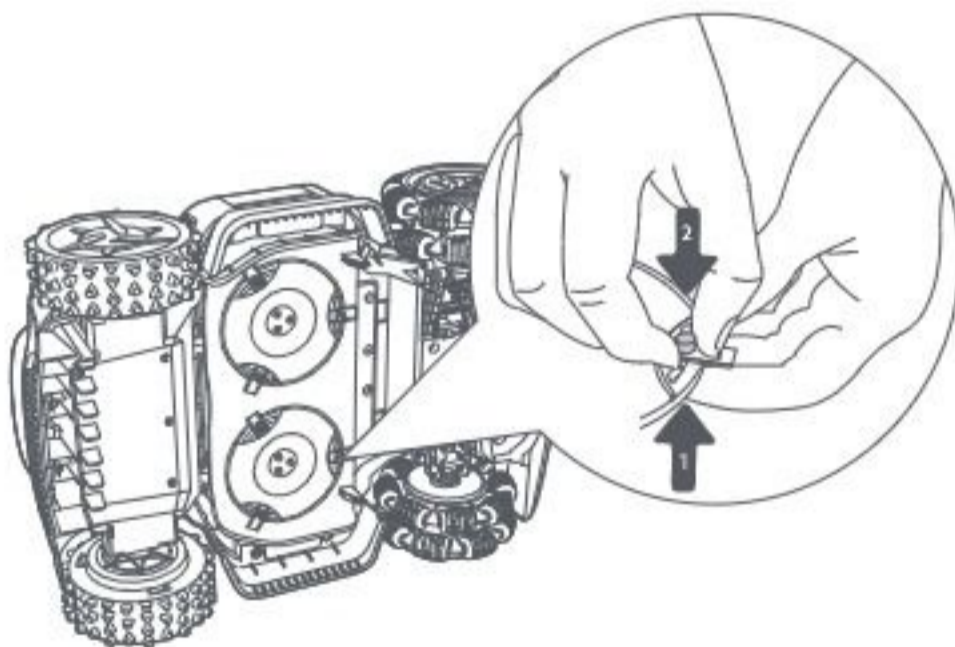
5. Retirez la lame en alignant le trou de la lame sur l'axe.



6. Retirez les 3 lames et les supports.



7. Appuyez sur le bouton situé sous le disque de coupe et alignez le trou du support sur l'axe pour fixer les supports et les lames.



8. Assurez-vous que les lames peuvent tourner librement.




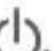
9 Batterie

Pour un stockage à long terme, chargez le robot tous les **6 mois** afin de protéger la batterie. Les dommages causés à la batterie par une décharge excessive ne sont pas couverts par la garantie limitée. Ne chargez pas la batterie à une température ambiante supérieure à **45 °C** ou inférieure à **6 °C**. La température de stockage à long terme de la batterie doit être comprise **entre -10 et 35 °C**. Pour minimiser les dommages, la température de stockage recommandée pour la batterie est comprise **entre 0°C et 25°C**.

Remarque : La durée de vie de la batterie du robot dépend de la fréquence d'utilisation et du nombre d'heures de fonctionnement. Si la batterie est endommagée ou ne peut pas être chargée, ne vous débarrassez pas sans précaution de la batterie obsolète ou défectueuse. Veuillez respecter les réglementations locales en matière de recyclage.

Mode de chargement à faible puissance :

Lorsque le mode de chargement à faible puissance est activé, les fonctions non liées au chargement sont désactivées (l'écran et le réseau sont mis hors tension).

- Pour activer le mode de chargement à faible puissance, appuyez simultanément sur le bouton  et le bouton , puis appuyez rapidement 5 fois sur le bouton . Vous entendrez un message vocal : Le mode de chargement à faible puissance est activé.
- Pour désactiver le mode de chargement à faible puissance, redémarrez le robot ou appuyez 5 fois rapidement sur le bouton .

10 Stockage hivernal

• Le robot

1. Chargez complètement la batterie avant d'éteindre le robot.
2. Nettoyez soigneusement le robot avant de le ranger pour l'hiver.
3. Mettez en place le couvercle de protection LiDAR.
4. Rangez le robot à l'intérieur dans un endroit sec, à une température **supérieure à 0°C**.

• Station de charge

Débranchez la station de charge et rangez-la dans un endroit sec et frais, à l'abri de la lumière directe du soleil.

Remarque : Après l'hivernage, veuillez réinstaller la station de charge et placez-y le robot pour le recharger. Si vous réinstallez la station de charge à un autre endroit, le robot mettra automatiquement à jour l'emplacement de la station dès qu'il la chargera et la quittera. Si vous rencontrez des erreurs de positionnement en raison de changements majeurs dans votre jardin, il est recommandé de refaire la cartographie de la zone.

11 Transport

Pour les transports sur de longues distances, veillez à ce que le robot soit éteint. Il est recommandé d'utiliser l'emballage d'origine. Mettez en place le couvercle de protection LiDAR.

⚠Avertissement : Veuillez éteindre le robot avant de le transporter.

⚠Avertissement : Soulevez le robot par la poignée arrière, en éloignant le disque de coupe de votre corps.

12 Recherche de pannes

Problème	Cause	Solution
Le robot n'est pas connecté à l'application.	<ol style="list-style-type: none"> 1. Le robot ne se trouve pas dans la zone de couverture du signal Wi-Fi ou de la portée Bluetooth. 2. Le robot est éteint ou redémarre. 	<ol style="list-style-type: none"> 1. Vérifiez que le robot a terminé le processus de mise sous tension. 2. Vérifiez si le routeur fonctionne correctement. 3. Rapprochez-vous du robot pour établir une connexion Bluetooth.
Robot soulevé.	La roue n'est pas au sol.	<ol style="list-style-type: none"> 1. Reposez le robot sur une surface plane. 2. Saisissez le code PIN sur le robot et confirmez. 3. Le robot ne peut pas traverser des objets d'une hauteur supérieure à 5,5 cm. Veillez à ce que le sol soit plat à l'endroit où le robot opère.
Robot incliné.	Le robot s'incline de plus de 37°.	<ol style="list-style-type: none"> 1. Reposez le robot sur une surface plane. 2. Saisissez le code PIN sur le robot et confirmez. 3. Le robot ne peut pas gravir des pentes supérieures à 80% (38°).
Robot coincé.	Le robot est coincé et ne parvient pas à se dégager.	<ol style="list-style-type: none"> 1. Retirez les obstacles environnants, puis réessayez. 2. Déplacez manuellement le robot vers un endroit plat et dégagé à l'intérieur de la carte, puis essayez de relancer la tâche. Si le problème persiste, veuillez réessayer après avoir replacé le robot dans la station de charge. 3. Vérifiez s'il n'y a pas de trous dans le sol. Comblez les trous avant de tondre afin d'éviter que le robot ne reste coincé. 4. Vérifiez si l'herbe environnante ne dépasse pas 10 cm. Vous pouvez régler la hauteur d'évitement des obstacles ou utiliser une tondeuse poussée pour tondre la pelouse à l'avance afin d'éviter que le robot ne reste coincé. 5. Si le robot se retrouve souvent coincé à cet endroit, vous pouvez le définir comme zone interdite.
Dysfonctionnement des roues avant gauche et droite, ainsi que des roues arrière gauche et droite.	La roue ne peut pas tourner ou le moteur de roue a un problème.	<ol style="list-style-type: none"> 1. Nettoyez les roues arrière et réessayez. 2. Si vous continuez à rencontrer cette erreur, essayez de redémarrer le robot. 3. Si le problème persiste, veuillez contacter le service après-vente.

Problème	Cause	Solution
Le disque de coupe ne tourne pas.	Le disque de coupe ne peut pas tourner normalement ou le moteur de coupe a un problème.	<ol style="list-style-type: none"> 1. Nettoyez le disque de coupe avant de réessayer. 2. Vérifiez si l'herbe environnante ne dépasse pas 10 cm. Vous pouvez utiliser une tondeuse manuelle pour tailler la pelouse à l'avance afin d'éviter que le disque de coupe ne soit bloqué par de l'herbe haute. 3. Vérifiez si de l'eau ne se trouve pas sous le disque de coupe. Si c'est le cas, déplacez le robot vers un endroit sec, puis réessayez. 4. Si vous continuez à rencontrer cette erreur, essayez de redémarrer le robot. 5. Si le problème persiste, veuillez contacter le service après-vente.
Le disque de coupe ne parvient pas à monter ou descendre.	Le disque de coupe ne parvient pas à monter ou descendre.	<ol style="list-style-type: none"> 1. Nettoyez le disque de coupe avant de réessayer. 2. Si vous continuez à rencontrer cette erreur, essayez de redémarrer le robot. 3. Si le problème persiste, veuillez contacter le service après-vente.
Le disque de coupe ne peut pas se déplacer latéralement.	Le disque de coupe ne peut pas se déplacer latéralement.	<ol style="list-style-type: none"> 1. Nettoyez le système de coupe et retirez tous les débris ou objets étrangers. 2. Si vous continuez à rencontrer cette erreur, vous pouvez d'abord désactiver la fonction EdgeMaster™. 3. Si le problème persiste, veuillez contacter le service après-vente.
Erreur de pare-chocs.	Le capteur du pare-chocs avant est constamment déclenché.	<ol style="list-style-type: none"> 1. Vérifiez si le robot n'est pas coincé quelque part. 2. Tapotez doucement le pare-chocs et assurez-vous qu'il rebondit. 3. Si vous continuez à rencontrer cette erreur, essayez de redémarrer le robot. 4. Si le problème persiste, veuillez contacter le service après-vente.
Erreur de chargement.	Le robot s'installe dans la station de charge, mais le courant ou la tension de chargement présente un problème.	<ol style="list-style-type: none"> 1. Vérifiez que la station de charge est correctement connectée à l'alimentation. 2. Vérifiez que les contacts de chargement du robot et de la station de charge sont propres. 3. Une fois la vérification terminée, essayez à nouveau d'ancrer le robot dans la station de charge. 4. Si le problème persiste, veuillez contacter le service après-vente.
La température de la batterie est trop élevée.	La température de la batterie est $\geq 60^\circ$.	<ol style="list-style-type: none"> 1. Utilisez le robot dans un endroit où la température ambiante est inférieure à 40°. Vous pouvez attendre que la température de la batterie diminue automatiquement. 2. Vous pouvez éteindre le robot et le redémarrer après un certain temps. 3. Si le problème persiste, veuillez contacter le service après-vente.

Problème	Cause	Solution
La température de la batterie est élevée.	La température de la batterie est $\geq 45^{\circ}$.	<ol style="list-style-type: none"> 1. Le chargement peut échouer lorsque la température de la batterie est supérieure à 45°. 2. Utilisez le robot dans un endroit où la température ambiante est inférieure à 40°.
La température de la batterie est basse.	La température de la batterie est $\leq 6^{\circ}$.	<ol style="list-style-type: none"> 1. Le chargement peut échouer lorsque la température de la batterie est inférieure à 6°. 2. Utilisez le robot lorsque la température ambiante est supérieure à 6°.
Le LiDAR est bloqué.	Le LiDAR est bloqué (pour exemple : le couvercle de protection LiDAR n'est pas retiré).	<ol style="list-style-type: none"> 1. Réessayez après avoir retiré le couvercle de protection LiDAR. 2. Si le LiDAR du robot est sale, nettoyez-le avec un chiffon non pelucheux et réessayez.
Dysfonctionnement du lidar.	Le LiDAR est très sale ou il y a une erreur de capteur.	<ol style="list-style-type: none"> 1. Vérifiez si le LiDAR est sale. Nettoyez-le si nécessaire, puis réessayez. 2. Si vous continuez à rencontrer cette erreur, essayez de redémarrer le robot. 3. Si le problème persiste, veuillez contacter le service après-vente.
Le LiDAR est sale.	Le LiDAR est sale.	Essuyez le capteur LiDAR situé sur le dessus du robot avec un chiffon propre. Gardez le LiDAR sec après nettoyage.
La température du LiDAR est élevée.	La température de LiDAR est $\geq 80^{\circ}$.	<ol style="list-style-type: none"> 1. Le robot tentera automatiquement de retourner à la station de charge pour refroidir. 2. Assurez-vous que le robot fonctionne dans une température ambiante inférieure à 40°. 3. Placez le robot dans un endroit ombragé, frais et bien ventilé. L'alarme s'arrêtera lorsque la température reviendra à une plage normale. 4. Le robot reprendra automatiquement son fonctionnement dès que l'alarme sera arrêtée. 5. Si le problème persiste, veuillez contacter le service après-vente.
La température du LiDAR est trop élevée.	La température de LiDAR est $\geq 90^{\circ}$.	<ol style="list-style-type: none"> 1. Le LiDAR est éteint en raison de températures élevées. 2. Assurez-vous que le robot fonctionne dans une température ambiante inférieure à 40°. 3. Placez le robot dans un endroit ombragé, frais et bien ventilé. L'alarme s'arrêtera lorsque la température reviendra à une plage normale. 4. Si le problème persiste, veuillez contacter le service après-vente.
Le robot est perdu.	Le positionnement est perdu.	<ol style="list-style-type: none"> 1. Vérifiez que le LiDAR situé sur le dessus du robot n'est pas sale. La saleté affecte le positionnement. 2. Déplacez manuellement le robot vers un endroit dégagé à l'intérieur de la carte et essayez de relancer la tâche. 3. Si le positionnement n'est pas rétabli, télécommander le robot vers la station de charge via l'application, puis lancer la tâche de tonte.

Problème	Cause	Solution
Erreur de capteur.	Erreur de capteur.	<ol style="list-style-type: none"> 1. Redémarrez le robot et réessayez. 2. Si le problème persiste, veuillez contacter le service après-vente.
Le robot est dans la zone interdite.	Le robot est dans la zone interdite.	<ol style="list-style-type: none"> 1. Déplacez le robot manuellement de la zone interdite, puis réessayez. 2. Utilisez l'application pour contrôler le robot à distance pour le déplacer hors de la zone interdite, puis réessayez.
Le robot est hors de la carte.	Le robot est hors de la carte.	<ol style="list-style-type: none"> 1. Déplacez le robot à l'intérieur de la carte manuellement, puis réessayez. 2. Ramenez le robot à l'intérieur de la carte à l'aide de l'application, puis réessayez.
L'arrêt d'urgence est activé.	Le bouton d'arrêt du robot est enfoncé.	Saisissez le code PIN sur le robot et confirmez.
Batterie faible. Le robot va bientôt s'éteindre.	Le niveau de la batterie est $\leq 10\%$.	Placez le robot dans la station de charge pour le recharger.
Le robot est éloigné de la carte. Risque de vol.	Le robot est éloigné de la carte.	<ol style="list-style-type: none"> 1. Saisissez le code PIN sur le robot et confirmez. 2. Vous pouvez désactiver l'alarme hors carte dans les paramètres de l'application.
Échec du retour à la station de charge.	Le robot ne peut pas trouver la station de charge lorsqu'il retourne à la station de charge.	<ol style="list-style-type: none"> 1. Vérifiez si des obstacles ne bloquent pas le robot. Retirez les obstacles et réessayez. 2. Télécommandez le robot jusqu'à la station de charge via l'application.
Échec de l'ancrage dans la station de charge.	Le robot trouve la station de charge mais ne parvient pas à s'ancrer.	<ol style="list-style-type: none"> 1. Vérifiez si les films réfléchissants de la station ne sont ni sales ni obstrués. 2. Vérifiez l'absence d'obstacles devant la station. 3. Vérifiez si la station a été déplacée. 4. Vérifiez si la plaque de base n'est pas couverte de boue épaisse. 5. Vérifiez si la station n'est pas sur une pente. 6. Vérifiez si la station est alimentée. 7. Aidez le robot à s'ancrer à la station en utilisant la télécommande ou manuellement.
Le positionnement a échoué.	Le positionnement échoue lorsque le robot tente de commencer une tâche de tonte.	<ol style="list-style-type: none"> 1. Le LiDAR pourrait être obstrué. Déplacez manuellement le robot vers un endroit plat et dégagé à l'intérieur de la carte, puis essayez de relancer la tâche. 2. Si le problème persiste, veuillez réessayer après avoir replacé le robot dans la station de charge.

Problème	Cause	Solution
Espace insuffisant pour tourner devant la station.	Espace insuffisant pour tourner devant la station.	<ol style="list-style-type: none"> 1. Si la station est placée sur le bord ou à l'intérieur de la carte, assurez-vous qu'il y a au moins 1 m d'espace libre entre la zone avant de la plaque de base de la station et la limite de la carte ; sinon, le robot pourrait ne pas pouvoir tourner. 2. Déplacez la station, ou modifiez la carte dans l'édition de la carte.
Chemin obstrué.	Chemin obstrué.	<ol style="list-style-type: none"> 1. Vérifiez si une zone interdite n'est pas définie sur le chemin. 2. Vérifiez si des obstacles ne bloquent pas le robot. 3. Si le robot ne peut toujours pas passer, supprimez le chemin dans l'édition de la carte et définissez-en un nouveau.
La caméra frontale est sale.	La caméra frontale est sale.	Essuyez la caméra frontale avec un chiffon propre.
Il y a un problème avec la caméra frontale.	Il y a un problème avec la caméra frontale.	<ol style="list-style-type: none"> 1. Essuyez la caméra frontale avec un chiffon propre. 2. Essayez de redémarrer le robot. 3. Si le problème persiste, veuillez contacter le service après-vente.
Caméra frontale bloquée.	Caméra frontale bloquée.	Essuyez la caméra frontale avec un chiffon propre.
Une erreur de détection des limites se produit pendant la cartographie automatique.	Une erreur de détection des limites se produit pendant la cartographie automatique.	<ol style="list-style-type: none"> 1. Assurez-vous que les conditions d'éclairage sont appropriées, ni trop lumineuses ni trop sombres. 2. Confirmez que le ciel est dégagé, sans brouillard ni pluie. 3. Assurez-vous que la caméra frontale est propre et non obstruée. 4. Assurez-vous que la surface du sol est plane, car les bosses peuvent affecter la détection. 5. Si la détection de la limite échoue toujours, passez en mode Télécommande pour effectuer la cartographie.
Vibrations anormales.	Vibrations anormales.	<ol style="list-style-type: none"> 1. Inspectez le disque de coupe pour vérifier son intégrité et déterminer s'il est endommagé. Si vous constatez des dommages, remplacez le disque. 2. Si le disque est intact, contactez le service après-vente.

13 Spécifications

		A3 3500
Informations de base	Nom du produit	Robot tondeuse Dreame A3 AWD Pro
	Marque	Dreame
	Modèle	MXXA9300
	Dimensions	740 × 532 × 325 mm
	Poids (batterie incluse)	24,3 kg
Tonte	Capacité de travail recommandée	3500 m ²
	Efficacité de tonte (norme EGMF)	Standard: 2500 m ² /24hrs Efficace: 3500 m ² /24hrs Accéléré: 5000 m ² /24hrs
	Hauteur de tonte	3 à 10 cm (par incréments de 5 mm)
	Largeur de tonte	40 cm
	Temps de charge ^[2]	85 minutes
Émissions sonores	Niveau de puissance acoustique LWA	65 dB(A)
	Incertitudes sur la puissance acoustique KWA	3 dB(A)
	Niveau de pression acoustique LpA	54 dB(A)
	Incertitudes de pression acoustique KpA	3 dB(A)
État de fonctionnement	Température de fonctionnement	0~50°C Recommandé : 10~35°C
	Température de stockage à long terme	-10~35°C Recommandé : 0~25°C
	Classification IP	Robot : IPX6 Station de charge : IPX4 Alimentation électrique : IP67
	Pente maximale de la zone de tonte	80%
Connectivité	Gamme de fréquences Bluetooth	2,4 GHz ~ 2,4835 GHz
	Puissance RF maximale	802.11b : 16±2 dBm (@11 Mbps) 802.11g : 14±2 dBm (@54 Mbps) 802.11n : 13±2 dBm (@HT20, HT40) Bluetooth : 7,49 dBm
	Wi-Fi	Wi-Fi 2,4 GHz (2400-2483,5 M)
	Service de liaison ^[3]	LTE-FDD : B1/3/7/8/20/28A LTE-TDD : B38/40/41
	GNSS	GPS/GLONASS/BDS/Galileo/QZSS

		A3 3500
Moteur d'entraînement	Vitesse de conduite sous télécommande	0,45 m/s–0,8 m/s
	Vitesse de conduite lors de la tonte	Standard : 0,35 m/s Efficacité : 0,6 m/s Vitesse : 0,8 m/s
	Type de moteur	Moteur sur moyeu
Moteur de coupe	Régime	2800 tr/min
Batterie (robot)	Modèle de batterie	MBPA30
	Type de batterie	Batterie lithium
	Capacité nominale	7500 mAh
	Tension nominale	Max. 36 V
Alimentation	Modèle de chargeur	MPAA30
	Tension d'entrée	100~240 V CA
	Tension de sortie	42 V
	Courant de sortie	5 A
Station de charge	Modèle de station de charge	MCA20
	Tension d'entrée	42 V
	Tension de sortie	42 V
	Courant d'entrée	5 A
	Courant de sortie	5 A

Normes	Plage	Liaison montante (MHz)	Liaison descendante (MHz)	Puissance de sortie RF maximale	GNSS	Bande de fréquence
LTE	1	1920 - 1980	2110 - 2170	23 ± 2	GPS/ GLONASS/ BDS/Ga- lileo/QZSS	1559 - 1592 MHz
	3	1710 - 1785	1805 - 1880	23 ± 2		
	7	2500 - 2570	2620 - 2690	23 ± 2		
	8	880 - 915	925 - 960	23 ± 2		
	20	832 - 862	791 - 821	23 ± 2		
	28	703 - 748	758 - 803	23 ± 2		
	38	2570 - 2620	2570 - 2620	23 ± 2		
	40	2300 - 2400	2300 - 2400	23 ± 2		
41	2496 - 2690	2496 - 2690	23 ± 2			
GSM	3	1710 - 1785	1805 - 1880	30 ± 2		
	8	880 - 915	925 - 960	23 ± 2		
WCDMA	1	1920 - 1980	2110 - 2170	23 ± 2		
	8	880 - 915	925 - 960	23 ± 2		

[2] Le temps de chargement s'applique lorsque le robot retourne automatiquement à la station de charge quand la batterie est faible.

[3] Pays/régions concernés : Albanie, Andorre, Autriche, Belgique, Bosnie-Herzégovine, Bulgarie, Croatie, Chypre, Danemark, Espagne, Estonie, Finlande, France, Allemagne, Grèce, Guernesey, Hongrie, Islande, Irlande, Italie, Kosovo, Lettonie, Liechtenstein, Lituanie, Luxembourg, Macédoine, Malte, Moldavie, Monaco, Monténégro, Pays-Bas, Norvège, Pologne, Portugal, République tchèque, Roumanie, Royaume-Uni, Serbie, Slovaquie, Slovénie, Suède, Suisse, Ukraine.

Remarque : Les spécifications sont susceptibles d'être modifiées en raison de l'amélioration constante de nos produits. Pour obtenir les dernières informations, veuillez consulter notre site web à l'adresse <https://global.dreametech.com>.

Istruzioni originali

Indice

1 Istruzioni di sicurezza	P124
2 Introduzione al prodotto	P128
3 Installazione	P130
4 Preparazione per il primo utilizzo	P133
5 Mappare il giardino	P138
6 Utilizzo	P144
7 App Dreamehome	P147
8 Manutenzione	P150
9 Batteria	P154
10 Stoccaggio invernale	P154
11 Trasporto	P154
12 Risoluzione dei problemi	P155
13 Specifiche tecniche	P160

1 Istruzioni di sicurezza

1.1 Istruzioni generali sulla sicurezza

- Evitare di utilizzare la macchina e le sue periferiche in condizioni meteo avverse, specialmente se c'è il rischio di fulmini.
- Leggere attentamente e comprendere il manuale utente prima di utilizzare il prodotto.
- Utilizzare con il prodotto solo con l'attrezzatura raccomandata da Dreame. Qualsiasi altro uso non è corretto.
- Non lasciare che i bambini si trovino nelle vicinanze o giochino con la macchina quando questa è in funzione.
- Non utilizzare il prodotto in aree in cui le persone non sono consapevoli della sua presenza.
- Quando si aziona manualmente il prodotto con l'App Dreamehome, non correre. Camminare sempre, fare attenzione sui pendii e mantenere sempre l'equilibrio.
- Evitare di utilizzare il prodotto in presenza di persone, in particolare bambini o animali, nell'area di lavoro.
- Se si utilizza il prodotto in aree pubbliche, posizionare cartelli di avvertimento intorno all'area di lavoro con il seguente testo: "Attenzione! Tosaerba automatico! Tenersi lontani dalla macchina! Sorvegliare i bambini!"
- Durante l'utilizzo del prodotto, indossare calzature robuste e pantaloni lunghi.
- Per evitare danni al prodotto e incidenti a veicoli e persone, non impostare le aree di lavoro o le vie di trasporto su percorsi pubblici.
- Non toccare le parti pericolose in movimento, come il disco di taglio, prima che si sia arrestato completamente.
- Rivolgersi a un medico in caso di lesioni o incidenti.
- Impostare il prodotto su **OFF** prima di eliminare le ostruzioni, eseguire la manutenzione o esaminare il prodotto stesso. Se il prodotto vibra in modo anomalo, verificare che non sia danneggiato prima di riavviarlo. Non utilizzare il prodotto se alcune parti sono difettose.
- Non installare il cavo principale in aree in cui il prodotto opererà. Seguire le istruzioni fornite per l'installazione dei cavi.
- Per caricare il prodotto, utilizzare esclusivamente la stazione di ricarica inclusa nella confezione. L'uso improprio può provocare scosse elettriche, surriscaldamento o perdite di liquido corrosivo dalla batteria. In caso di fuoriuscita di elettrolita, sciacquare con acqua/agente neutralizzante e rivolgersi a un medico se il liquido corrosivo viene a contatto con gli occhi.
- Quando si collega il cavo principale alla presa di corrente, utilizzare un interruttore differenziale (RCD) con una corrente di intervento massima di 30 mA.
- Utilizzare esclusivamente batterie originali raccomandate da Dreame. La sicurezza del prodotto non può essere garantita con batterie non originali. Non utilizzare batterie non ricaricabili.
- Tenere eventuali cavi di alimentazione e/o di prolunga lontani dall'area di lavoro per evitare danni ai cavi e il conseguente rischio di contatto con parti sotto tensione.
- Le illustrazioni utilizzate in questo documento sono solo di riferimento. Si prega di fare riferimento ai prodotti reali.
- Non consentire mai l'uso della macchina a bambini, a persone con ridotte capacità fisiche, sensoriali o mentali o con scarsa esperienza e conoscenza o a persone che non conoscono queste istruzioni; le norme locali possono limitare l'età dell'operatore.
- Non collegare o toccare un cavo danneggiato finché non viene scollegato dalla presa di corrente. Se il cavo si danneggia durante il funzionamento, scollegare la spina dalla presa di corrente. Un cavo usurato o danneggiato aumenta il rischio di scosse elettriche e deve essere sostituito dal personale di assistenza.
- Non spingere il prodotto con forza o rapidamente per evitare di danneggiarlo.
- Per mantenere la conformità ai requisiti di esposizione alle radiofrequenze, è necessario mantenere una distanza di 35 cm tra il dispositivo e la persona.
- **AVVERTENZA:** Per ricaricare la batteria, utilizzare esclusivamente l'alimentatore staccabile fornito con l'apparecchio.

1.2 Istruzioni di sicurezza per l'installazione

- Evitare di installare la stazione di ricarica in aree in cui le persone potrebbero inciampare.
- Non installare la stazione di ricarica in aree a rischio di presenza di acqua stagnante.
- Non installare la stazione di ricarica, compresi gli accessori, a meno di 60 cm da materiali combustibili. Il malfunzionamento o il surriscaldamento della stazione di ricarica e dell'alimentazione elettrica possono comportare un rischio di incendio.

1.3 Istruzioni di sicurezza per il funzionamento

- Tenere mani e piedi lontani dalle lame rotanti. Non mettere le mani o i piedi vicino o sotto il prodotto quando è acceso.
- Non sollevare o spostare il prodotto quando è acceso.
- Utilizzare la modalità di parcheggio o impostare il prodotto su **OFF** in presenza di persone, specialmente bambini, o di animali nell'area di lavoro.
- Assicurarsi che non siano presenti oggetti come pietre, rami, attrezzi o giocattoli sul prato. In caso contrario, le lame potrebbero danneggiarsi quando entrano in contatto con un oggetto.
- Non collocare oggetti sopra il prodotto o la stazione di ricarica.
- Non utilizzare il prodotto se il pulsante di stop non funziona.
- Evitare collisioni tra il prodotto e persone o animali. Se una persona o un animale si trova sul percorso del prodotto, fermarlo immediatamente.
- Impostare sempre il prodotto su **OFF** quando non viene utilizzato.
- Non utilizzare il prodotto contemporaneamente a un irrigatore a scomparsa. Utilizzare la funzione di programmazione per assicurarsi che il prodotto e l'irrigatore a scomparsa non funzionino contemporaneamente.
- Evitare di posizionare un canale di collegamento dove sono installati gli irrigatori a scomparsa.
- Non utilizzare il prodotto in presenza di acqua stagnante nell'area di lavoro, ad esempio in caso di pioggia battente o di accumuli d'acqua.

1.4 Istruzioni di sicurezza per la manutenzione

- Impostare il prodotto su **OFF** prima di eseguire la manutenzione.
- Dopo il lavaggio, assicurarsi che il prodotto sia appoggiato a terra nel suo orientamento normale, non capovolto.
- Non capovolgere il prodotto per pulire il telaio. Se si capovolge l'apparecchio per la pulizia, assicurarsi di ripristinare l'orientamento corretto. Questa precauzione è necessaria per evitare che l'acqua penetri nel motore e possa comprometterne il normale funzionamento.
- Scollegare la spina dalla stazione di ricarica o azionare il dispositivo di disattivazione prima di pulire o eseguire la manutenzione della stazione di ricarica.
- Non utilizzare idropulitrici ad alta pressione o solventi per pulire il prodotto.

1.5 Sicurezza della batteria

Le batterie agli ioni di litio possono esplodere o provocare un incendio se smontate, cortocircuitate, esposte all'acqua, al fuoco o a temperature elevate. Maneggiare con cura, non smontare o aprire la batteria ed evitare qualsiasi forma di abuso elettrico/meccanico. Conservarle al riparo dalla luce diretta del sole.

1. Utilizzare esclusivamente il caricabatterie e l'alimentatore forniti dal produttore. L'uso di un caricabatterie e di un alimentatore inadeguati può causare scosse elettriche e / o surriscaldamento.

2. **NON TENTARE DI RIPARARE O MODIFICARE LE BATTERIE!** I tentativi di riparazione possono esporre al rischio di lesioni personali, dovute a esplosioni o scosse elettriche. Se si verifica una perdita, gli elettroliti rilasciati sono corrosivi e tossici.






3. Questo apparecchio contiene batterie che possono essere sostituite solo da personale specializzato.

1.6 Rischi residui

Per evitare lesioni, indossare guanti protettivi durante la sostituzione delle lame.

1.7 Simboli e decalcomanie

	<p>AVVERTENZA - Leggere le istruzioni per l'uso prima di utilizzare la macchina.</p>
	<p>AVVERTENZA - Mantenere una distanza di sicurezza dalla macchina durante il funzionamento.</p>
	<p>AVVERTENZA - Azionare il dispositivo di disattivazione prima di lavorare sulla macchina o di sollevarla.</p>
	<p>AVVERTENZA - Non salire sulla macchina. Non toccare la lama rotante.</p>
	<p>AVVERTENZA - Non è consentito smaltire questo prodotto tra i normali rifiuti domestici. Assicurarsi che il prodotto venga riciclato in conformità ai requisiti di legge locali.</p>

	Questo prodotto è conforme alle direttive CE applicabili.
	Classe III
	Leggere le istruzioni prima di ricaricare.
	Corrente continua
	Classe II

USO PREVISTO

Il prodotto da giardino è destinato alla tosatura del prato in ambito domestico. È progettato per tagliare spesso, mantenendo un prato più sano, e più bello che mai. A seconda delle dimensioni del prato, il tosaerba può essere programmato per funzionare a qualsiasi ora o frequenza. Non è utilizzabile per scavare, spazzare o rimuovere la neve.



Con la presente, TsingTing Intelligent Tech (Suzhou) Co., Ltd. dichiara che il modello di apparecchiatura radio Dreame MXXA9300 è conforme alla Direttiva 2014/53/UE. Il testo completo della dichiarazione di conformità UE è disponibile al seguente indirizzo Internet: <https://global.dreametech.com/pages/declaration-of-conformity>.

Il prodotto è conforme alle normative PSTI del Regno Unito; il testo completo della dichiarazione di conformità è disponibile al seguente indirizzo Internet: <https://global.dreametech.com/pages/statement-of-compliance-for-uk-psti>.

Il manuale elettronico dettagliato è disponibile all'indirizzo <https://global.dreametech.com/pages/user-manuals-and-faqs>.

Avviso sulla sicurezza della rete

Per garantire il funzionamento sicuro di questo dispositivo in ambienti di rete, vengono fornite le seguenti informazioni:

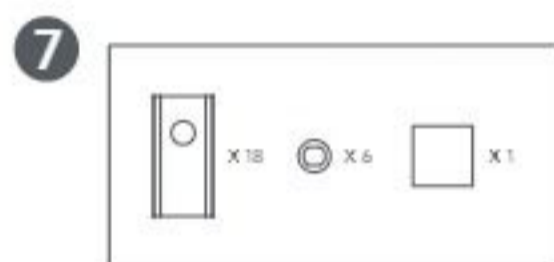
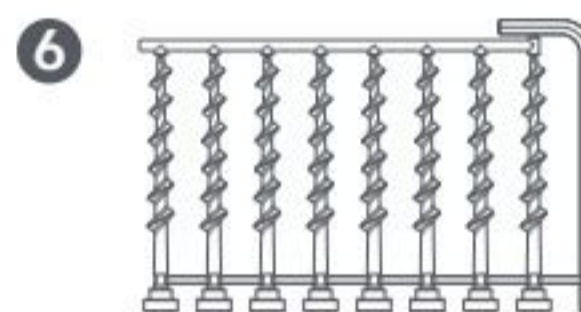
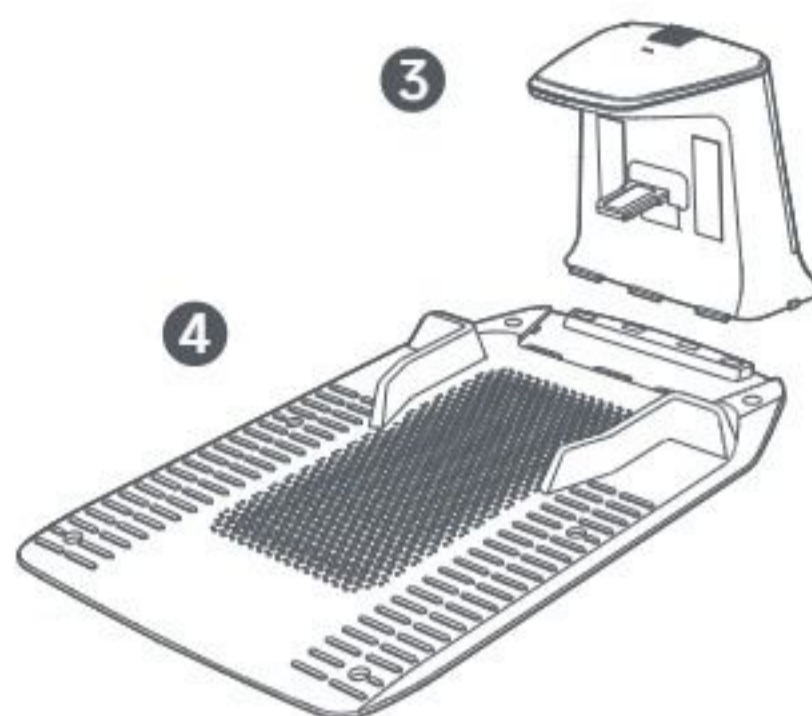
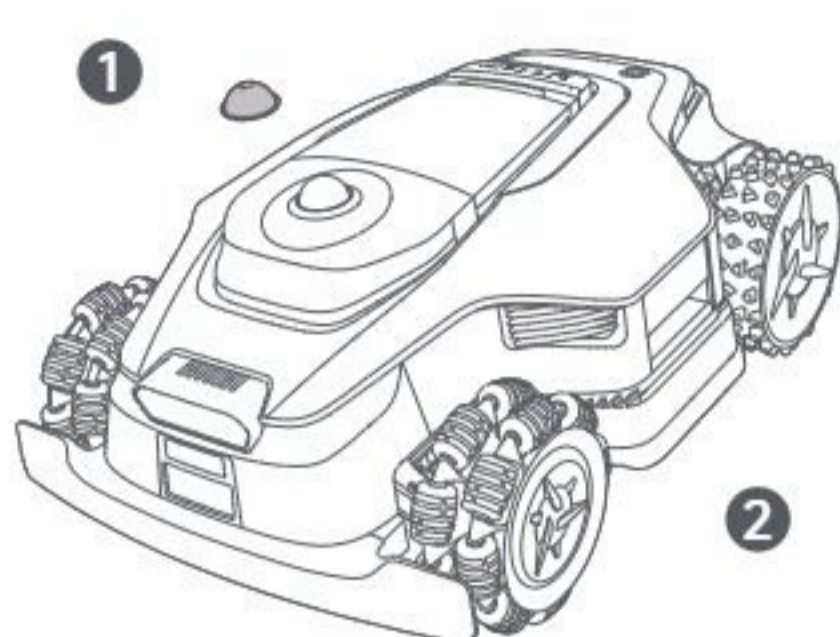
Questo dispositivo è dotato di capacità di comunicazione di rete multiple, tra cui una porta Ethernet (RJ-45), modulo di comunicazione wireless Wi-Fi e interfaccia di debug USB. All'avvio, i seguenti servizi di rete sono abilitati per impostazione predefinita:

- **Servizio di configurazione Web (HTTP/HTTPS):** Ascolta sulla porta 80 (HTTP) e la porta 443 (HTTPS) per la configurazione locale e il monitoraggio dello stato. Per prevenire la fuga di informazioni, è raccomandato disabilitare il servizio HTTP subito dopo l'installazione, di abilitare solo HTTPS e di implementare un certificato TLS fidato.
- **Trasmissione dati del dispositivo (mDNS/SSDP):** Utilizzata per il rilevamento automatico tramite la trasmissione dati del dispositivo entro la rete locale (LAN). Se non sono necessari, si consiglia di disattivare questi servizi per ridurre il rischio di essere sottoposti a scansione.
- **Interfaccia USB:** Utilizzata per gli upgrade locali del firmware e l'estrazione dei log. Quando la modalità debug è abilitata, potrebbero essere visibili le autorizzazioni di accesso ai file di sistema. Si raccomanda di limitare l'uso al solo personale autorizzato e di disattivare questa interfaccia quando il dispositivo non è in manutenzione.

Per le procedure di configurazione dettagliate, fare riferimento alla sezione *Preparazione per il primo utilizzo*.

2 Introduzione al prodotto

2.1 Contenuto della confezione



1 Coperchio protettivo LiDAR

2 Robot tosaerba

3 Torre di ricarica (con cavo di prolunga da 10 m)

4 Piastra di base

5 Alimentazione elettrica

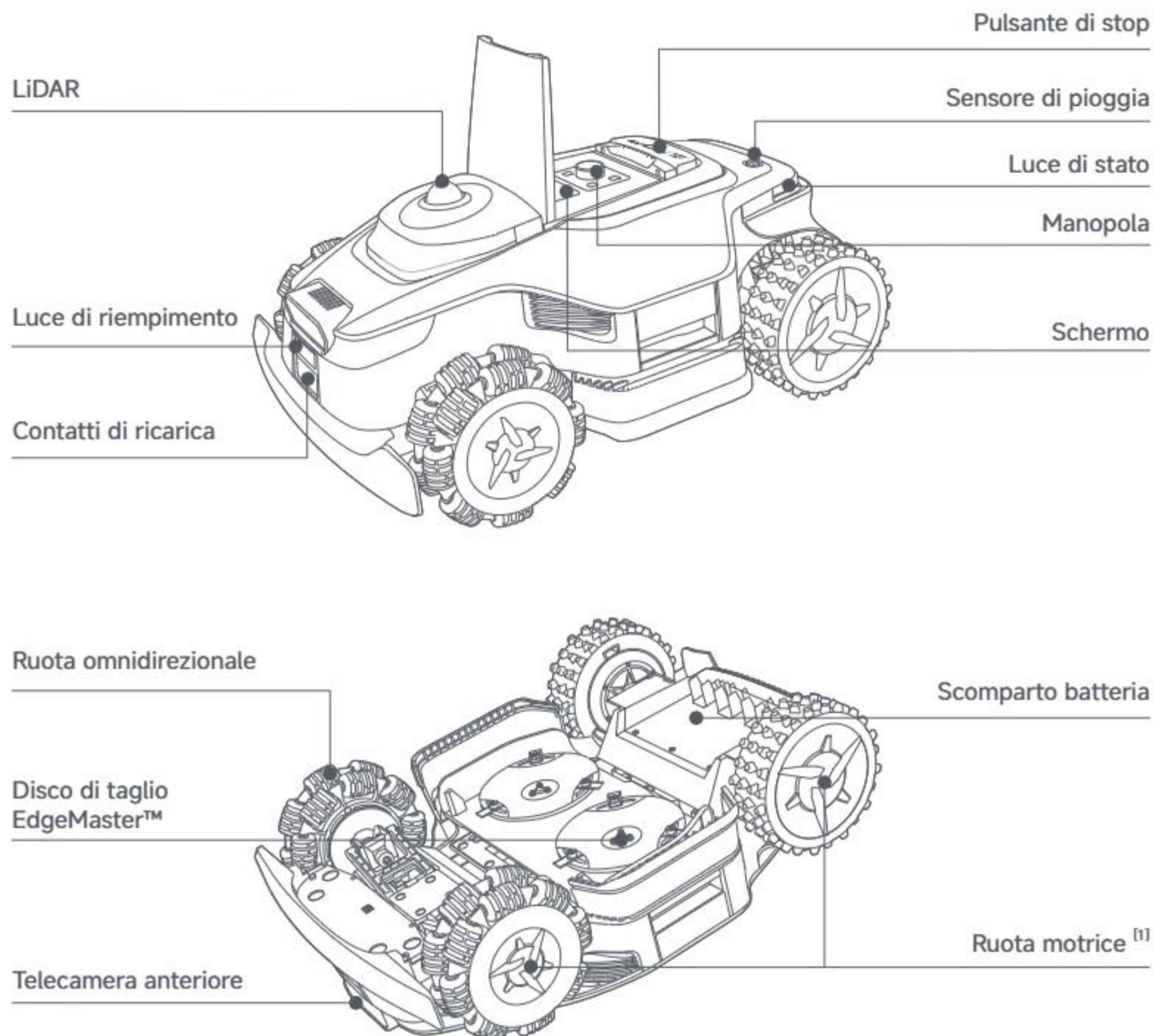
6 Viti × 8, chiave esagonale

7 Lame di ricambio × 18, supporti × 6, panno senza lanugine

8 Manuale utente

9 Guida avvio rapido

2.2 Panoramica del prodotto



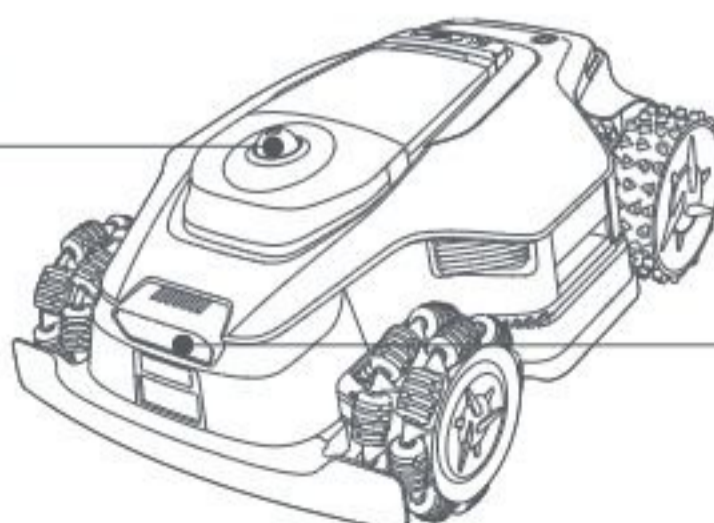
[1] Dotato di motori ai mozzi.

2.3 OmniSense™ 3.0: sistema di ultra-sensing 3D con fotocamere AI

Porta la cura del prato al livello superiore con OmniSense™ 3.0, un rivoluzionario sistema di ultra-sensing 3D dotato di due fotocamere HDR assistite da algoritmi, che offre una percezione più completa e dettagliata dell'ambiente 3D del giardino.



OmniSense™3.0
Sistema di rilevamento 3D
ultra-sensibile




Evitamento ostacoli omni-
direzionale 3D potenziato
dall'IA



2.4 Servizio Link con connettività GPS e 4G

Il robot è dotato del servizio Link, che offre connettività alla rete cellulare 4G.

Attivazione del servizio Link

Basta accendere il robot e il servizio Link si attiverà in automatico.  si illumina sullo schermo del robot e nell'app, indicando che l'attivazione è riuscita. Lo stato di utilizzo del servizio Link può essere visualizzato sotto **Connessioni** nell'app.

Con il servizio Link attivato, è possibile monitorare da remoto lo stato del robot e avviare le attività di tosatura senza una connessione Wi-Fi. Inoltre, è in dotazione un GPS integrato per il tracciamento della posizione in tempo reale, che migliora le capacità antifurto del robot. È possibile tracciarne la posizione in qualsiasi momento, da qualsiasi luogo, e ricevere notifiche in caso di uscita dall'area della mappa designata.

Il servizio Link entra in vigore dal momento dell'attivazione, in base alla configurazione del prodotto acquistata.*Per il rinnovo del servizio dopo la scadenza, contattare il team post-vendita Dreame tramite **aftersales@dreame.tech**.

*Verifica nell'app il periodo gratuito rimanente del servizio Link oppure contatta il servizio post-vendita Dreame per maggiori dettagli.

2.5 Sensori

Nome	Descrizione
LiDAR	Acquisisce informazioni ambientali e facilita il posizionamento del robot, l'evitamento degli ostacoli e il rilevamento di acqua e sporcizia. Campo di rilevamento (a 100 klx): 40 m con 10% di riflettività; 70 m con 80% di riflettività Campo visivo: 360° (orizzontale) × 59° (verticale)
Telecamera anteriore	Rileva ostacoli, confini del prato e presenza umana. Angolo di campo: 89° (orizzontale), 58° (verticale), 97° (diagonale) Risoluzione: 2 MP
GPS	Il robot è dotato di funzione GPS integrata. È possibile tracciare la posizione in tempo reale del robot su Google Maps tramite l'app.

3 Installazione

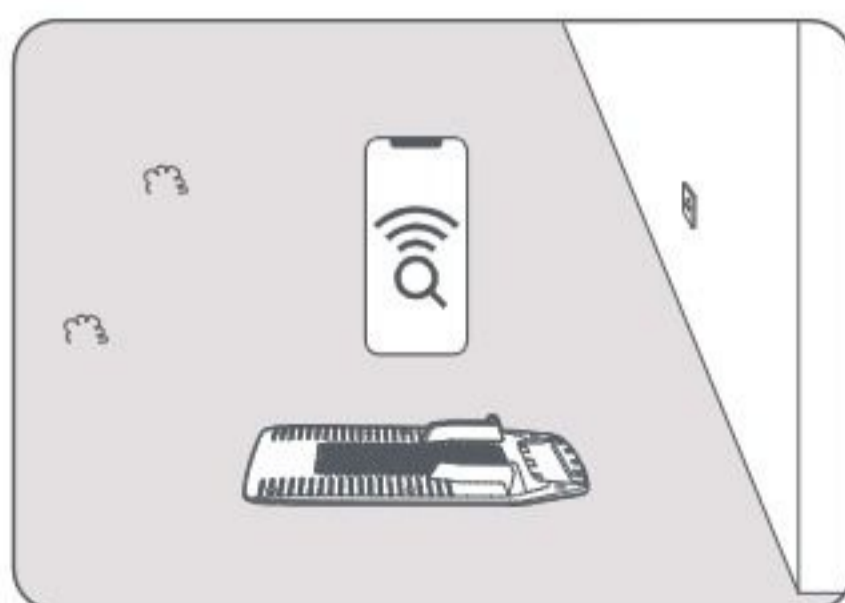
3.1 Scegliere un luogo adatto

- Posizionare la piastra di base su una superficie piana vicino al bordo del prato e a una presa di corrente. Posizionarla in un'area con segnale Wi-Fi forte.

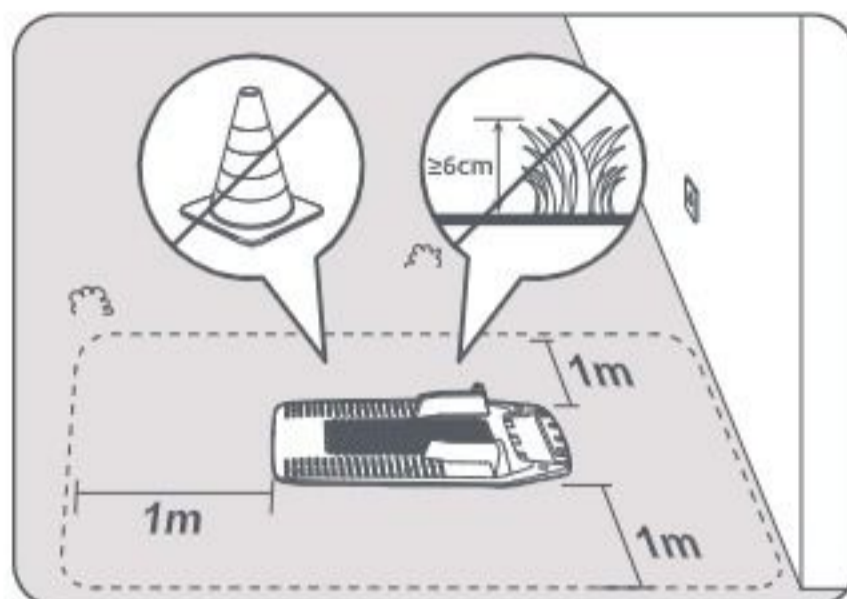
Nota: utilizzare il proprio dispositivo mobile per verificare la potenza del segnale Wi-Fi della località. Un segnale Wi-Fi ad alta intensità garantisce una connessione stabile tra il robot e l'app.

Importante: Il terreno deve essere sufficientemente morbido da permettere l'installazione con le viti.

Importante: Se la stazione di ricarica si trova su una pendenza, assicurarsi che l'inclinazione non sia troppo ripida per evitare che il robot scivoli all'indietro e non riesca ad agganciarsi alla stazione.

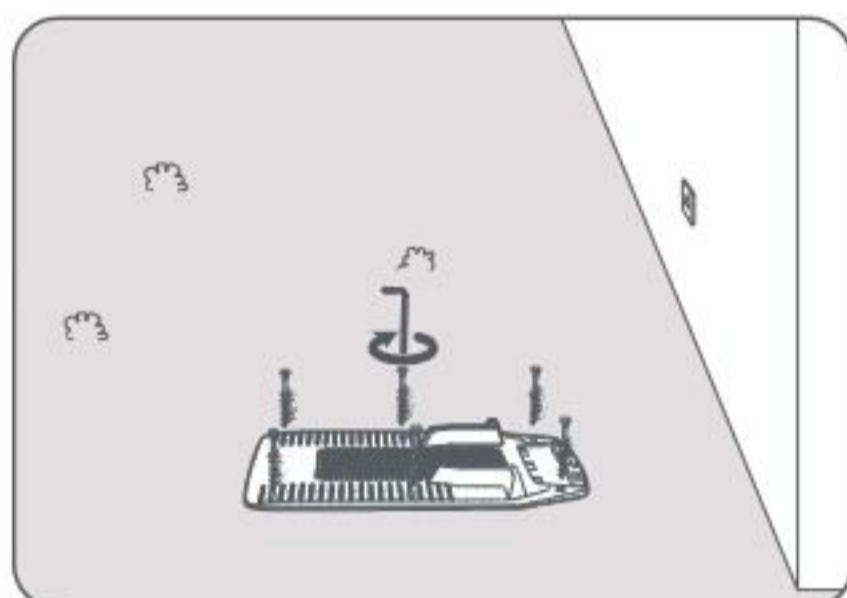


- Mantenere almeno **1 m** di spazio libero senza ostacoli a sinistra, a destra e davanti alla piastra di base. Verificare che l'erba intorno alla posizione sia più corta di **6 cm**. Se l'erba è più alta, tagliarla prima con un tosaerba a spinta. L'erba alta può rendere difficile il ritorno del robot alla stazione di ricarica.

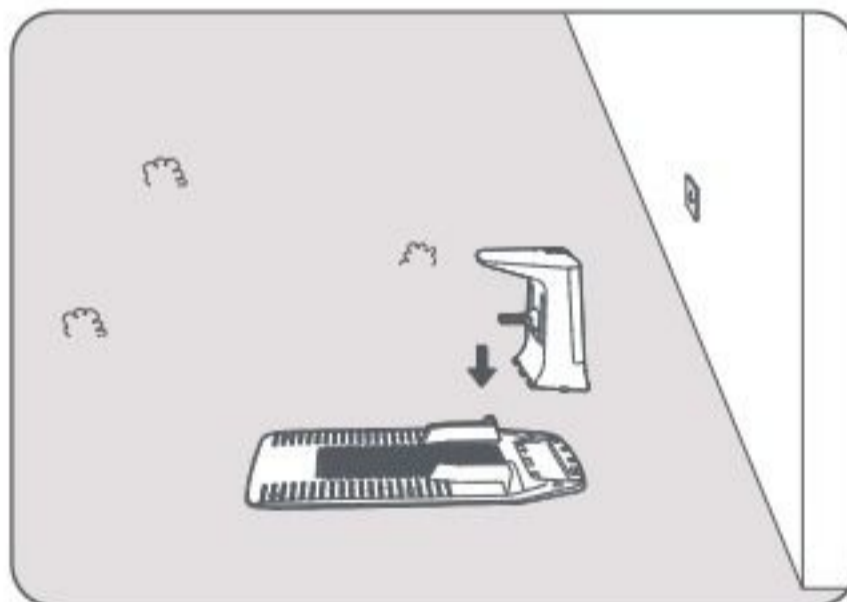


3.2 Installazione della stazione di ricarica

- 1 Assicurare la piastra di base al suolo con le viti e la chiave esagonale in dotazione al kit.

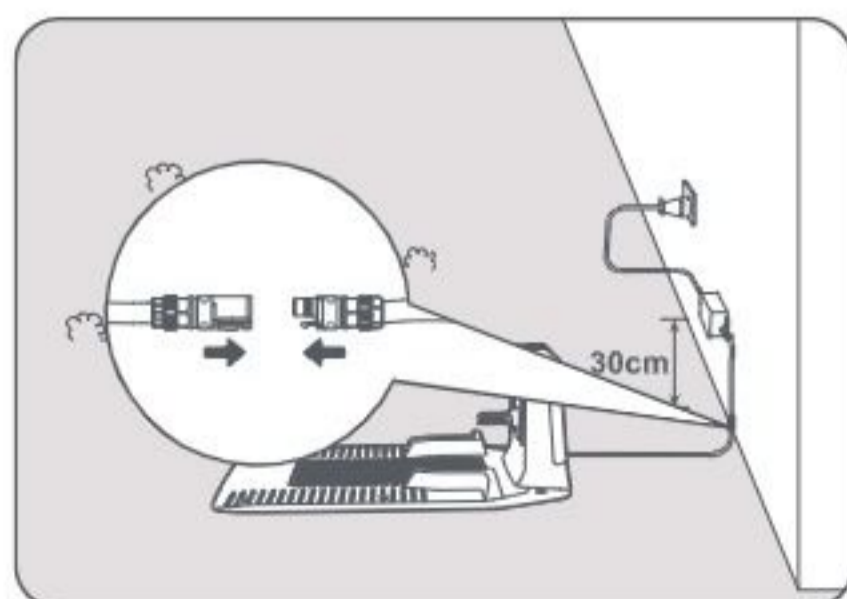


- 2 Inserire la torre di ricarica nella piastra di base finché non viene prodotto un clic.

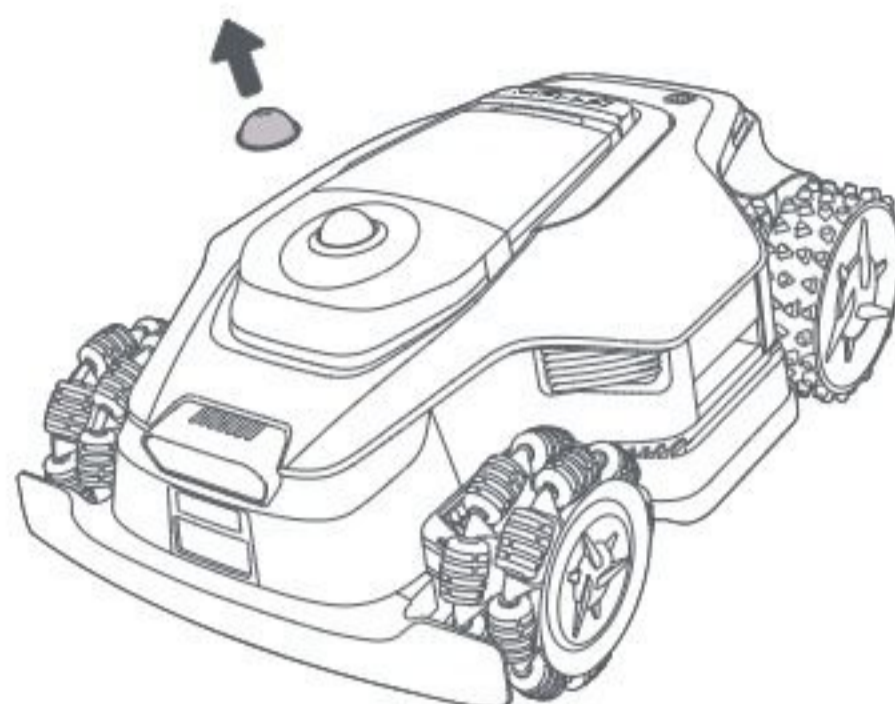


- 3 Collegare l'alimentatore al cavo di prolunga e quindi a una presa di corrente. Tenere l'alimentazione elettrica ad almeno **30 cm** sopra il suolo.

Nota: l'indicatore LED della stazione di ricarica è di **colore blu costante** quando è presente l'alimentazione.



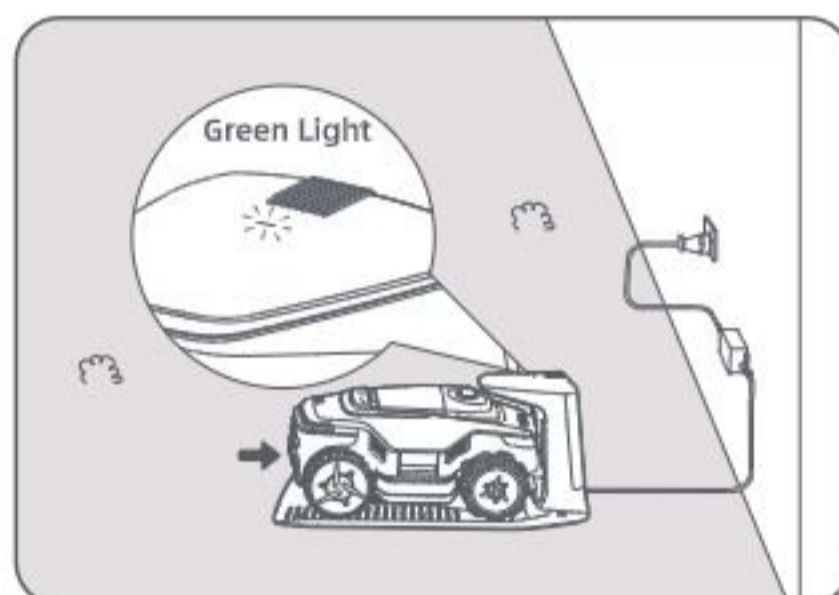
- 4 Rimuovere il coperchio protettivo LiDAR.



- 5 Posizionare il robot nella stazione di ricarica per ricaricarlo. Assicurarsi che i contatti di ricarica del robot e della stazione di ricarica siano collegati correttamente.

Nota: L'indicatore luminoso lampeggerà in verde quando il robot riceve carica correttamente nella stazione di ricarica.

Nota: Se si desidera aggiungere un garage per una maggiore protezione, utilizzare il garage Dreame abbinato, disponibile presso i negozi locali oppure online. L'utilizzo di un garage non Dreame può causare problemi durante la ricarica.

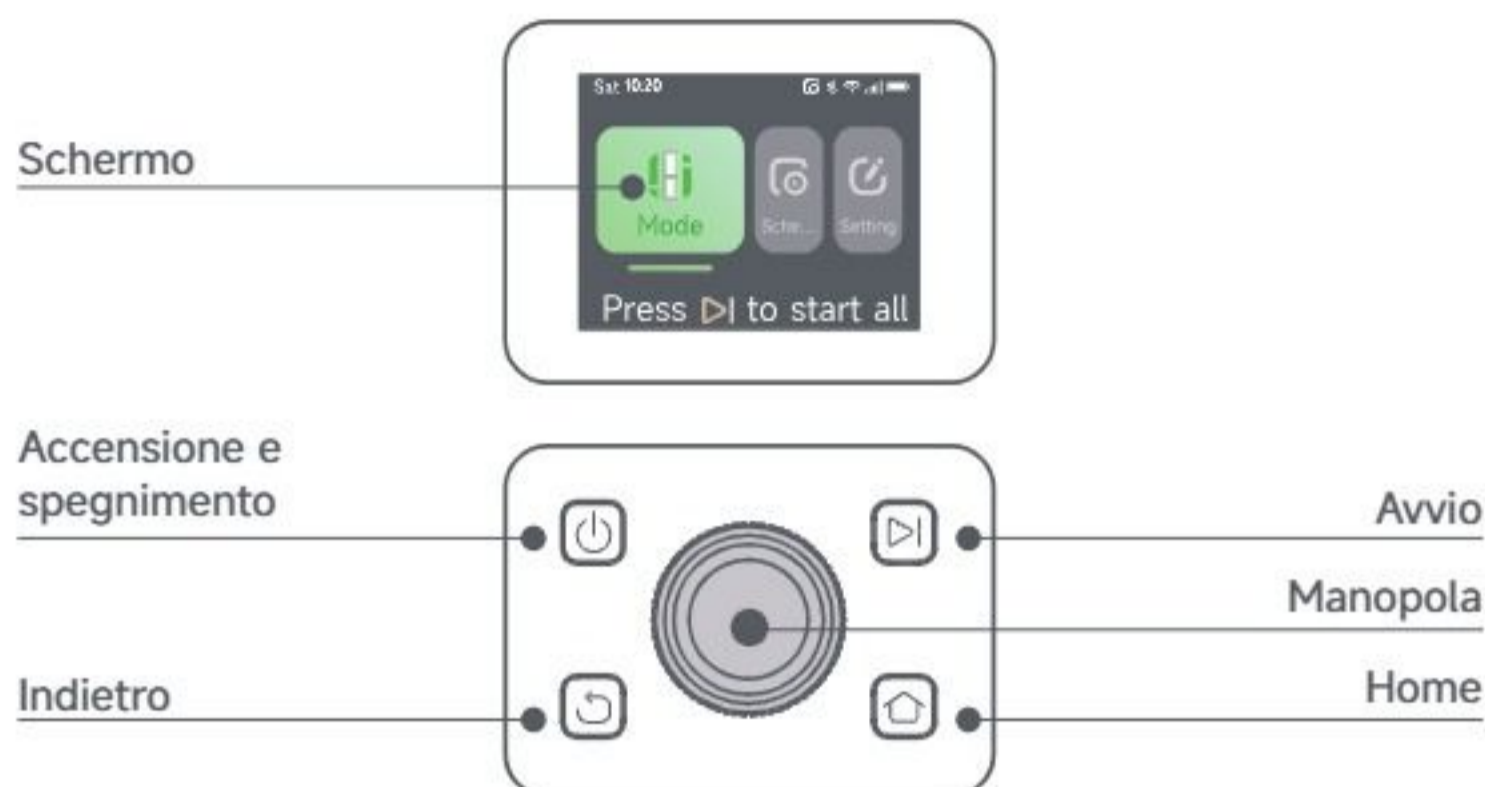


Indicatore LED sulla stazione di ricarica

Colore della spia LED	Significato
Rosso lampeggiante/fisso	1. Si è verificato un problema con la stazione di ricarica (ad esempio un problema con la corrente o la tensione di ricarica).
	2. Il robot si aggancia alla stazione di ricarica ma la ricarica è anomala (ad esempio, i contatti di ricarica presentano un cortocircuito).
Blu fisso	La stazione di ricarica è alimentata. Il robot non si trova nella stazione di ricarica.
Verde lampeggiante	Il robot si sta caricando nella stazione di ricarica.
Verde fisso	Il robot è completamente carico presso la stazione / al di fuori delle ore di ricarica.

4 Preparazione per il primo utilizzo

4.1 Familiarizzare con il pannello di controllo



Schermo

Icona	Stato
	Livello batteria (mostra il livello attuale della batteria).
	Ricarica (il robot si aggancia con successo alla stazione di ricarica).
	Bluetooth (il robot è collegato all'app tramite Bluetooth).
	Wi-Fi (il robot è collegato all'app tramite una rete Wi-Fi).
	Servizio Link (il Servizio Link è attivato).
	Programma (un'attività è pianificata per oggi e non è ancora iniziata).

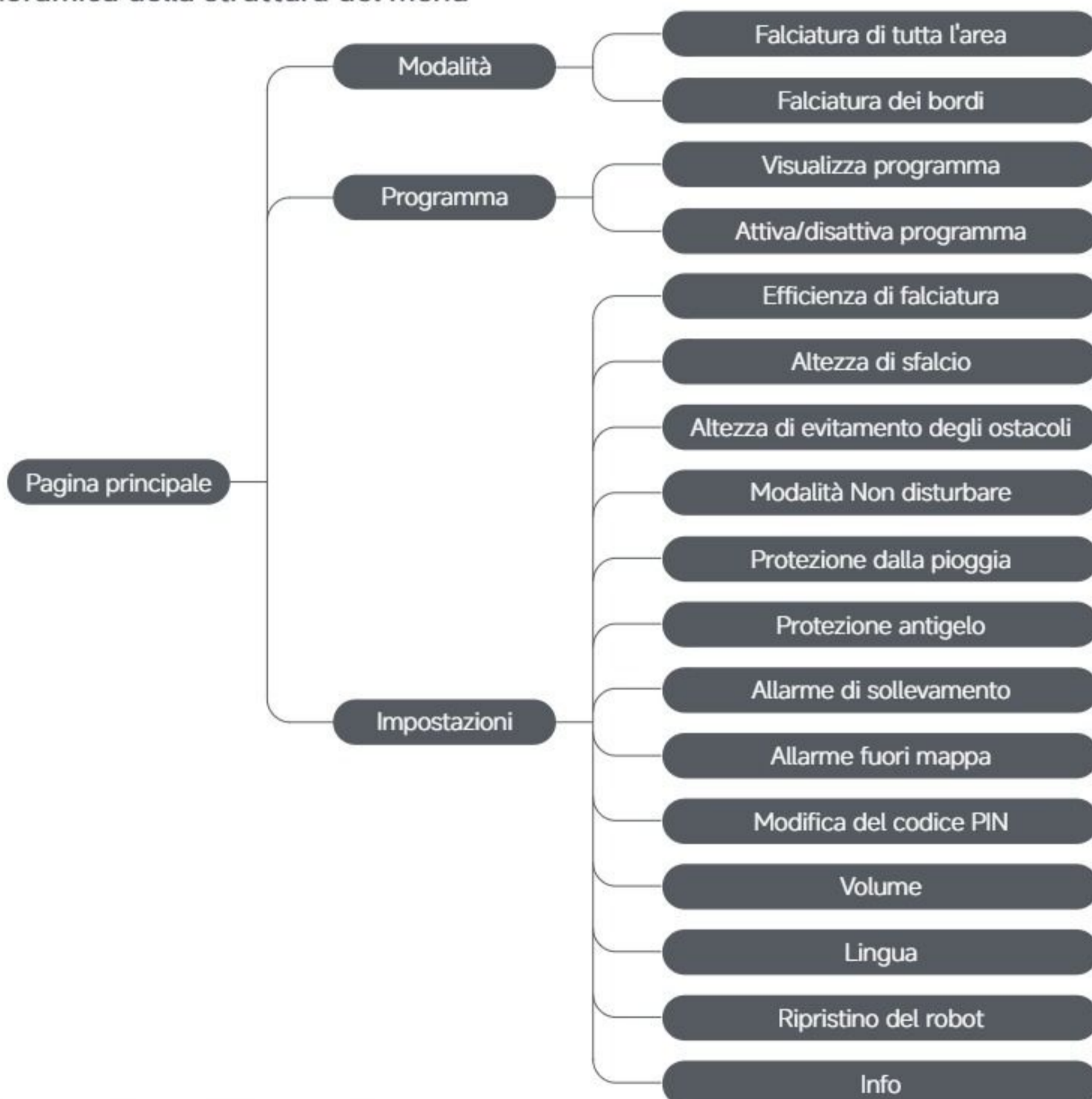
Comandi

Pulsante	Funzione
Alimentazione	Per accendere/spegnere il robot, tenere premuto il pulsante per 2 secondi. Assicurarsi che sia all'esterno della stazione di ricarica.
Avvio	Per avviare la falciatura di tutta l'area o riprendere attività sospese, premere il pulsante , quindi chiudere il coperchio entro 5 secondi. L'operazione verrà annullata se il coperchio non viene chiuso entro 5 secondi.
Home	Per rimandare il robot alla stazione di ricarica per la ricarica, premere il pulsante , quindi chiudere il coperchio entro 5 secondi. L'operazione verrà annullata se il coperchio non viene chiuso entro 5 secondi.
Indietro	Per salire di un livello nel menu, premere il pulsante .

Comandi

Manopola	Per confermare la selezione nei menu, premere la manopola.
	Per attivare la modalità di associazione Bluetooth, tenere premuta la manopola per 3 secondi.
	Per navigare nel menu, ruotare la manopola in senso orario/antiorario.
Avvio + Indietro	Per ripristinare le impostazioni di fabbrica del robot, tenere premuti contemporaneamente i pulsanti ▶ e ↺ per 3 secondi. Il codice PIN non verrà cancellato.
Home + Indietro	Tenere premuti contemporaneamente i pulsanti 🏠 e ↺ per 3 secondi per accedere alla pagina Info in Impostazioni. La pagina Informazioni scomparirà dopo 5 secondi.
Manopola + Indietro	Per ripristinare il codice PIN, tenere premuti contemporaneamente la manopola e il pulsante ↺ per 3 secondi.
Stop	Premere il pulsante Stop per aprire la copertura superiore e arrestare il robot. Per riprendere il funzionamento, è necessario inserire il codice PIN sul pannello di controllo.

Panoramica della struttura del menu



*Potrebbe essere aggiornata a seconda della versione del software.

Luce di stato sul robot

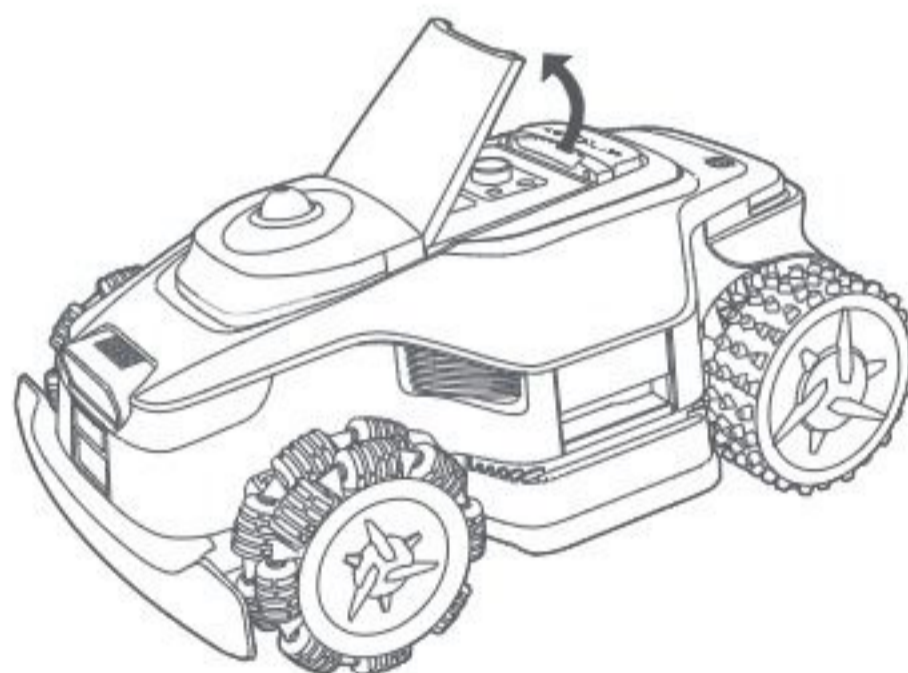
Colore	Significato
Rosso fisso	1. Il robot è in standby.
	2. Il robot sta eseguendo un'attività o è in pausa.
	3. La batteria è completamente carica (la luminosità è inferiore rispetto allo stato di batteria completamente carica).
	4. Il robot è agganciato alla stazione di ricarica e in ricarica.
Accensione in sequenza	Il robot si è agganciato alla stazione di ricarica.
Luce rossa pulsante	1. Il robot è in perlustrazione.
	2. Il video in tempo reale della telecamera anteriore viene visualizzato tramite l'app.
	3. Il robot sta avanzando verso la posizione designata.
Rosso lampeggiante	Il robot ha incontrato un malfunzionamento durante l'attività.
Sequenza di accensione dal centro verso l'esterno	Il robot è in fase di accensione.


Nota: È possibile personalizzare il periodo di attivazione e gli scenari della luce del robot in **Impostazioni > Luce**.

4.2 Impostazioni iniziali

Prima di accendere il robot per la prima volta, è necessario effettuare alcune impostazioni di base affinché il robot sia pronto per iniziare a funzionare.

- 1 Sollevare la copertura superiore.



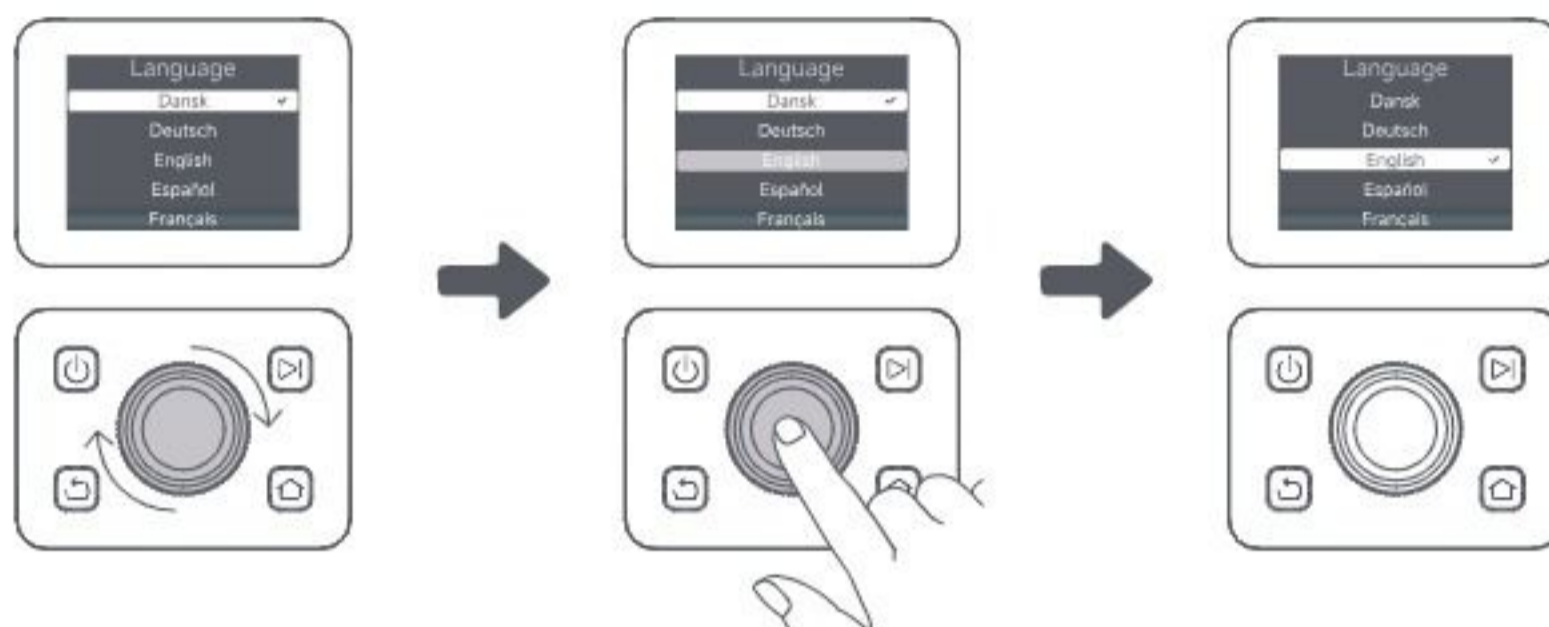
- 2 Tenere premuto il pulsante  sul pannello di controllo per 2 secondi per accendere il robot.

Nota: il robot si attiva in automatico quando si aggancia alla stazione di ricarica.



3 Selezionare la lingua preferita

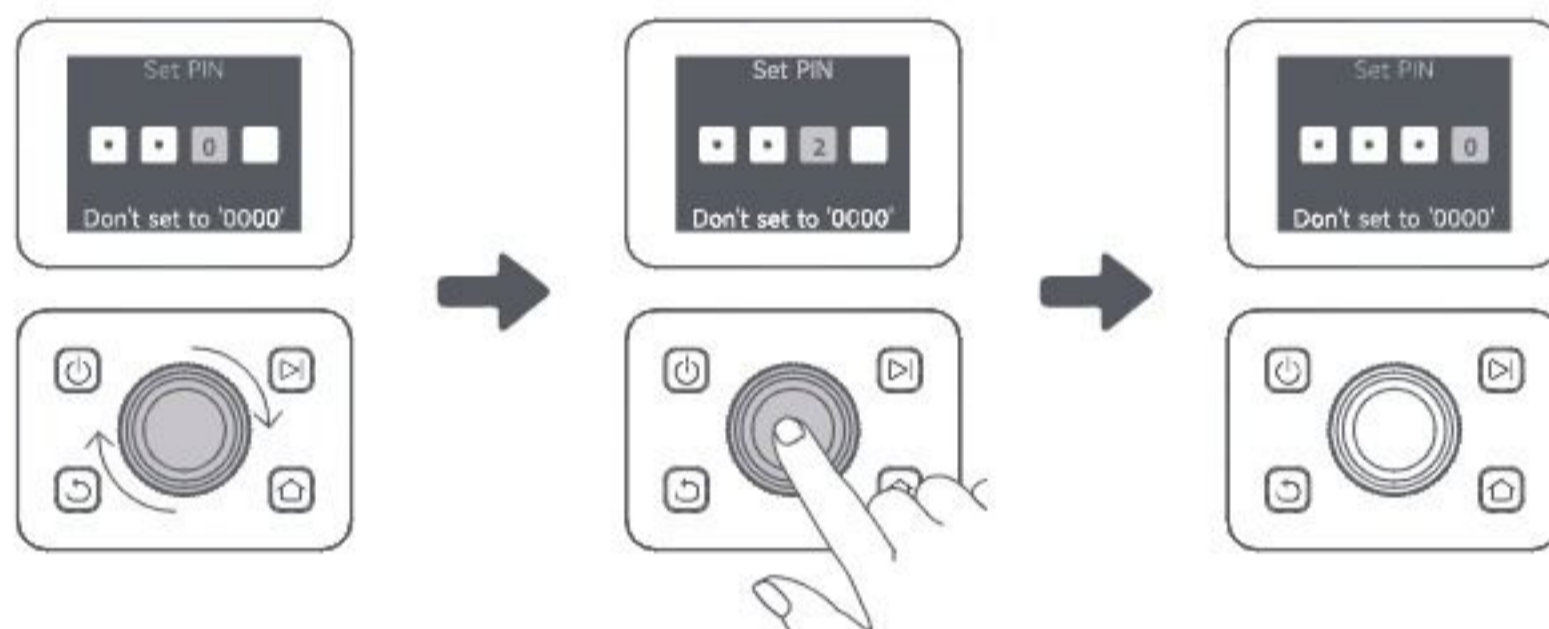
Ruotare la manopola in senso orario per scendere e in senso antiorario per salire per selezionare la lingua desiderata. Premere la manopola per confermare.



4 Impostazione del codice PIN

1. Ruotare la manopola per selezionare un numero da 0 a 9. Ruotare in senso orario per aumentare il numero e in senso antiorario per diminuirlo. Premere la manopola per confermare e impostare la cifra successiva. Per modificare la cifra precedente, ruotare la manopola in senso antiorario finché il numero non diventa 0 e poi continuare a ruotarla.

Importante: Non impostare il codice PIN come "0000".



2. Inserire nuovamente il codice PIN per completare l'impostazione del codice PIN.

Nota: Se le due password non corrispondono, impostare nuovamente la nuova password.

5 Collegare il robot a Internet

Scansionare il codice QR per scaricare l'app Dreamehome sul proprio dispositivo mobile. Dopo l'installazione, creare un account e accedere.



È anche possibile scaricare l'app Dreamehome da App Store o Google Play.



Il robot supporta la connettività 4G e include la funzione GPS integrata. Tuttavia, per ottenere prestazioni ottimali, consigliamo di configurare una connessione Wi-Fi.

Prima della configurazione della rete:

- Assicurarsi che il robot e il proprio dispositivo mobile siano collegati alla stessa rete Wi-Fi.
- Assicurarsi che il dispositivo mobile si trovi entro **10 m** dal robot.
- Attivare la funzione Bluetooth sul proprio dispositivo mobile.

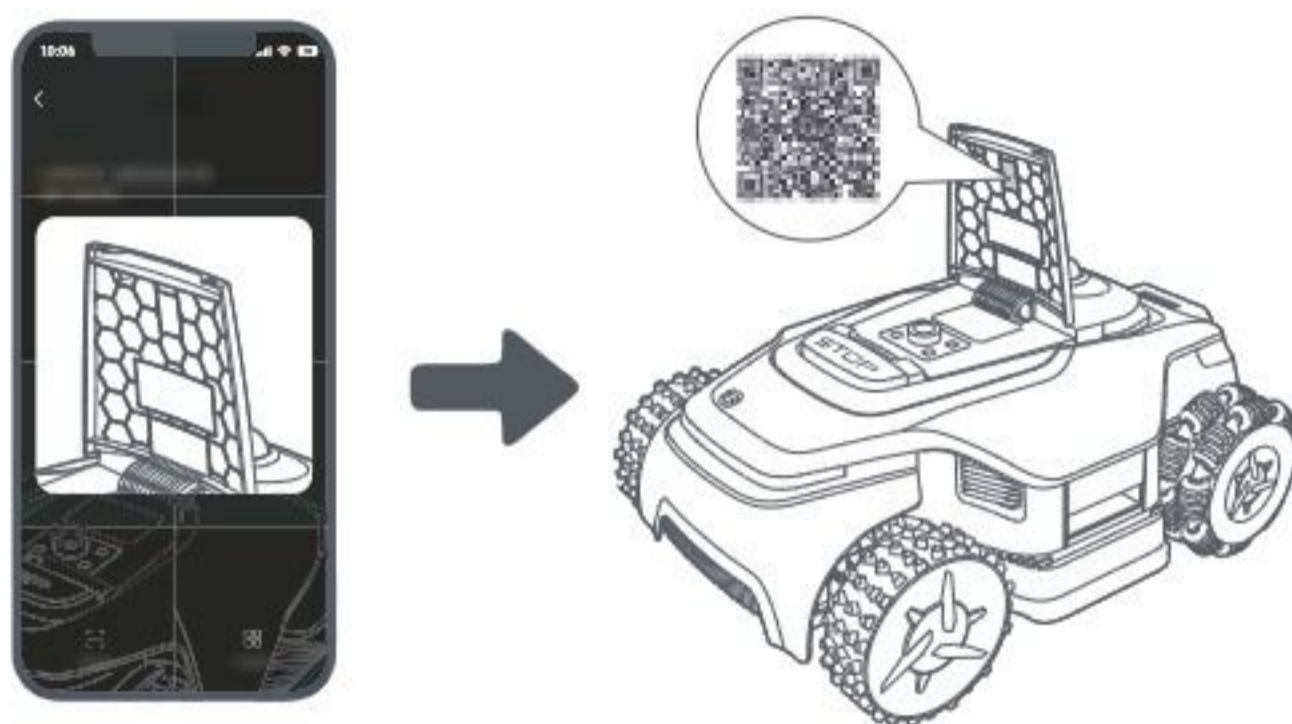
1. Aprire l'app Dreamehome.

2. Connettersi tramite uno dei seguenti metodi:

a. Scansionare il codice QR: Andare a  **Dispositivo** e toccare  **Scansiona il codice QR per connetterti**. Per connettersi, scansionare il codice QR situato all'interno della copertura superiore del robot.

b. Aggiungere manualmente: Andare a  **Dispositivo** e toccare  **Aggiungi**. Quindi selezionare il modello di robot da collegare.

c. Rilevamento automatico: Il robot cercherà i dispositivi nelle vicinanze. Toccare il robot nell'elenco dei dispositivi rilevati per connettersi.

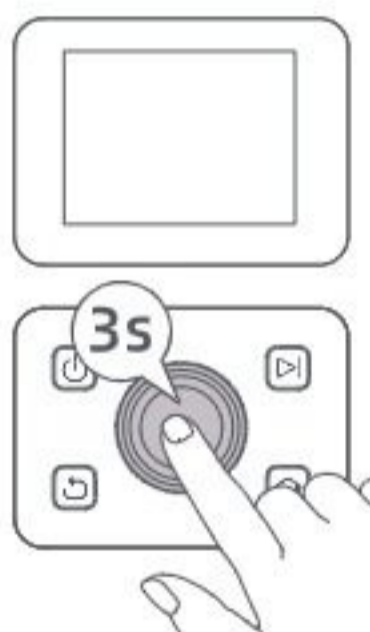


3. Seguire le istruzioni in-app per completare la connessione alla rete Wi-Fi.

Importante: Usare una rete a banda singola con frequenza di 2.4 GHz o a banda doppia con frequenza di 2.4/5 GHz.

Importante: Assicurarsi che la rete Wi-Fi non abbia un firewall e non sia criptata. In caso contrario, la configurazione della rete potrebbe non riuscire.

4. Tenere premuta la manopola sul pannello di controllo per 3 secondi. Il robot entrerà in modalità di associazione Bluetooth.



5. Seguire le istruzioni in-app per completare l'associazione.

Come scollegare il robot?

Il robot è automaticamente collegato all'account Dreamehome una volta che l'associazione è completata. Ciascun dispositivo può essere solo collegato a un account. Non può essere collegato a un altro account allo stesso tempo.

Per associare il robot ad un nuovo account, è necessario prima scollegarlo. Per scollegarlo:

1. Aprire l'app Dreamehome. Andare a  **Dispositivo**.
2. Se all'account Dreamehome sono collegati robot multipli, scorrere a sinistra o a destra per accedere alla pagina del robot da modificare.
3. Toccare  nell'angolo in alto a destra.
4. Selezionare  [icon] **Elimina**.

Come condividere il proprio robot?

1. Toccare  nell'angolo in alto a destra.
2. Selezionare  **Condivisione del dispositivo**.

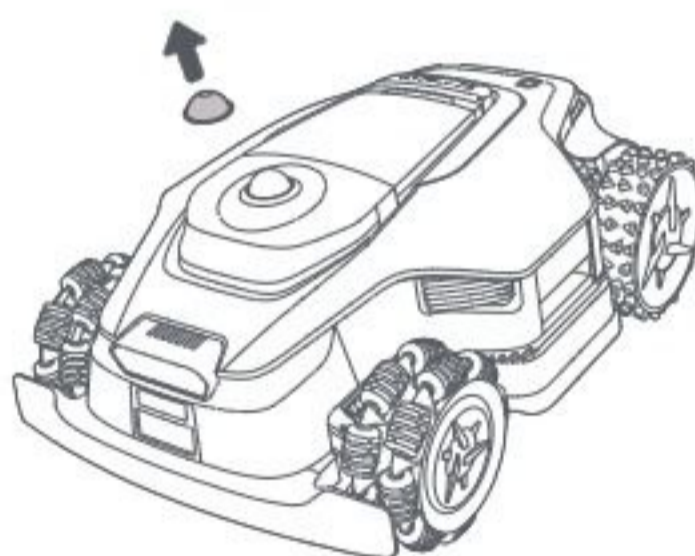
Come disconnettersi dall'account Dreamehome o eliminarlo?

1. Andare a  **Io** >  **Account**.
2. Selezionare **Disconnettiti** o **Elimina Account**.

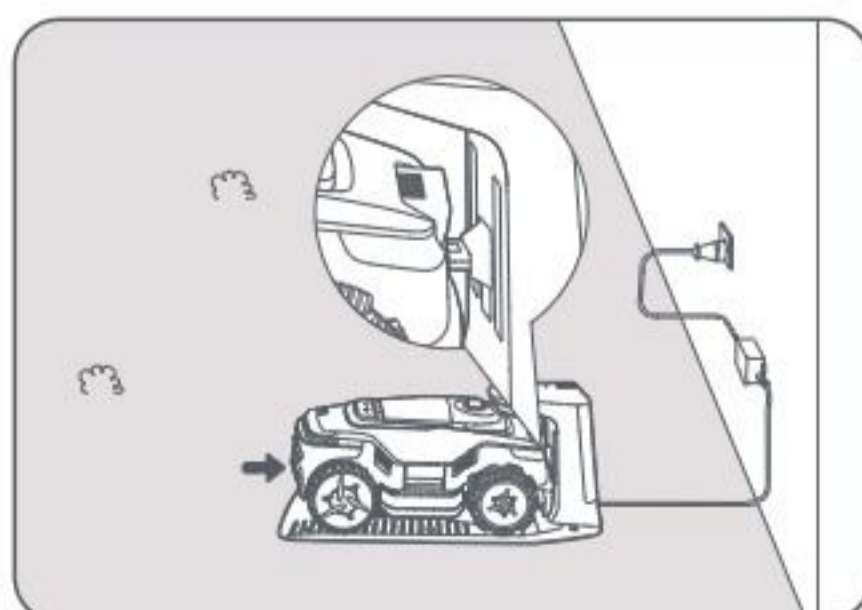
5 Mappare il giardino

Prima di eseguire la mappatura, verificare che:

- Il livello della batteria del robot è superiore al 50%.
- Il coperchio protettivo del LiDAR viene rimosso.



- La copertura superiore è chiusa.
- Il robot si aggancia correttamente alla stazione di ricarica.



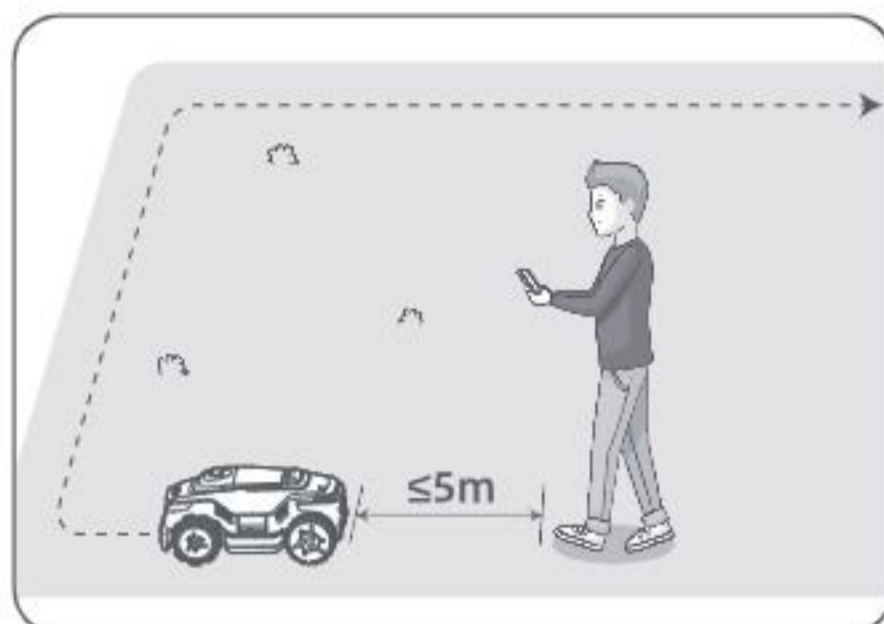
5.1 Creazione del confine virtuale

Prima di iniziare la procedura di mappatura, tenere presente quanto segue:

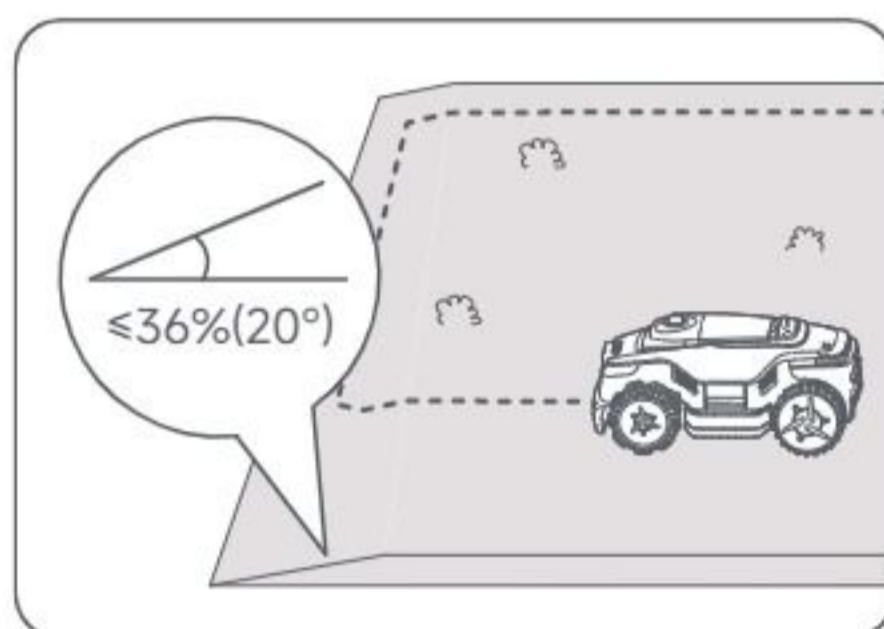
Importante: Non spostare manualmente il robot durante la creazione del confine, perché comporta il rischio che la mappatura fallisca.

Importante: Quando la mappatura inizia, non far agganciare il robot da remoto nella stazione di ricarica fino al completamento della procedura di mappatura. In caso contrario, il LiDAR potrebbe essere bloccato e questo può causare il fallimento della mappatura.

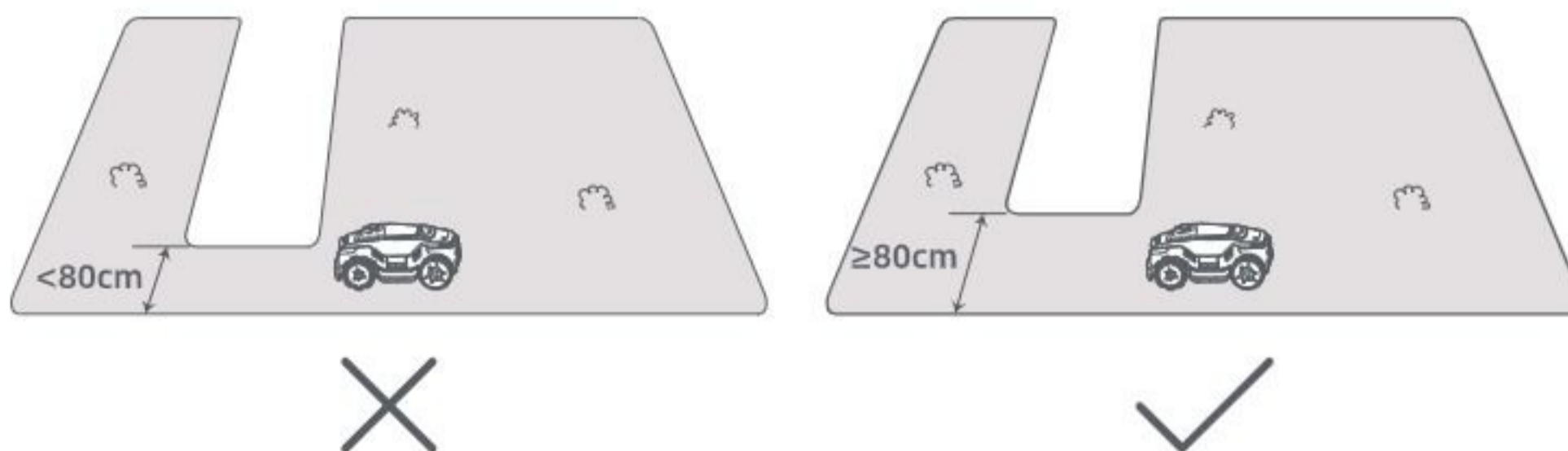
- Camminare entro **5 m** di distanza dietro il robot durante la procedura di mappatura.



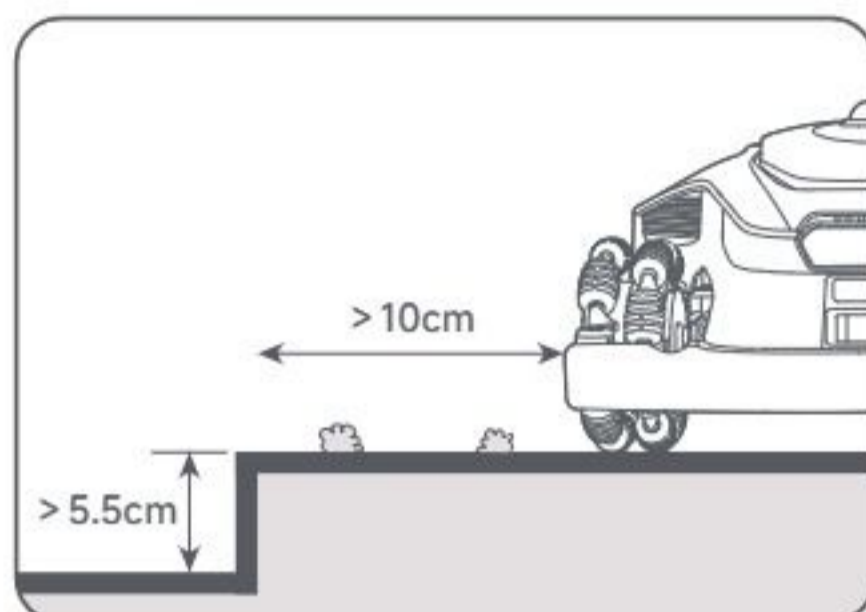
- Il robot è in grado di muoversi su pendenze con un'inclinazione fino a **80% (38°)**. Tuttavia, per ottenere risultati di taglio migliori, si consiglia di mantenere le pendenze delle aree di lavoro al di sotto del **36% (20°)**.



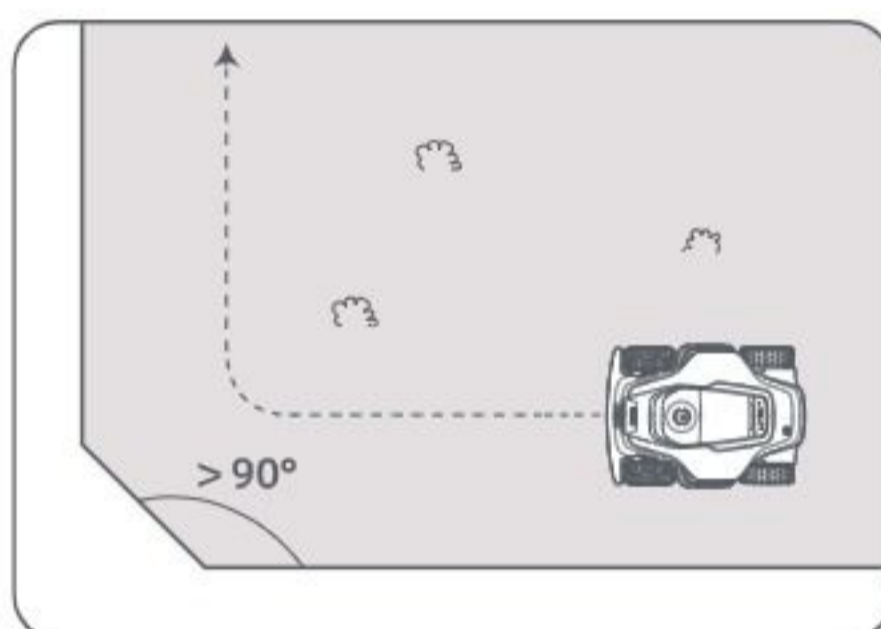
- Per le aree più strette di **80 cm**, impostarle come percorsi per consentire il passaggio del robot (vedere sezione 5.4: **Imposta percorso**).



- Se il prato è più alto di **5,5 cm** rispetto al terreno adiacente, tenere il robot ad almeno **10 cm** di distanza dal bordo. Se il prato è allo stesso livello del terreno adiacente, il robot può attraversare il perimetro per ottenere risultati di taglio ottimali lungo i bordi.

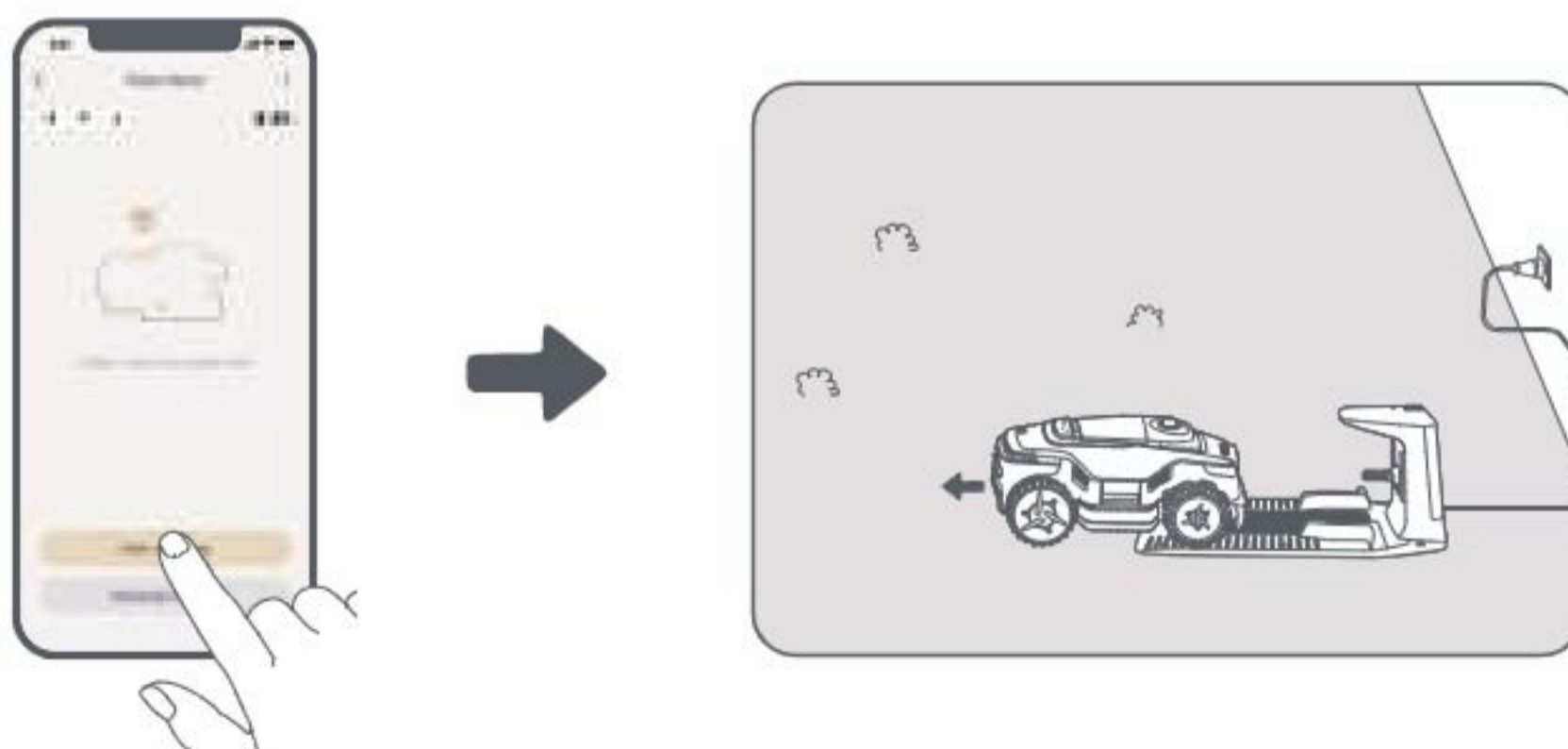


- Assicurarsi che gli angoli di rotazione siano superiori a **90°**. Angoli inferiori a 90° possono rendere difficile per il robot ottenere un taglio netto.

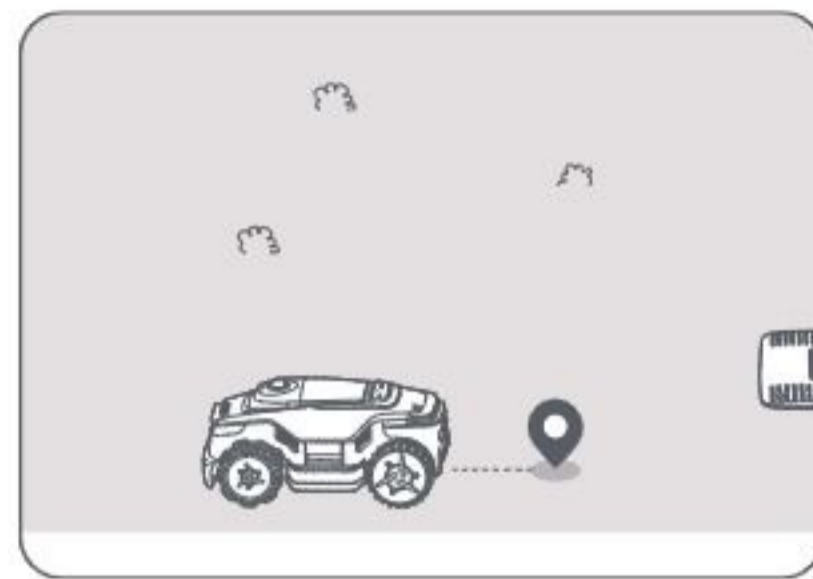


Avvia mappatura:

1. Toccare **Avvia creazione** tramite l'app e il robot controllerà il proprio stato e si calibrerà. Il robot lascerà automaticamente la stazione di ricarica per eseguire la calibrazione. Fai attenzione.



2. Guidare il robot a distanza verso il bordo del prato e toccare **Imposta il punto di partenza** per stabilire il punto di partenza del confine.



3. Comandare il robot da remoto facendolo avanzare lungo il perimetro del prato per mappare l'area di lavoro.

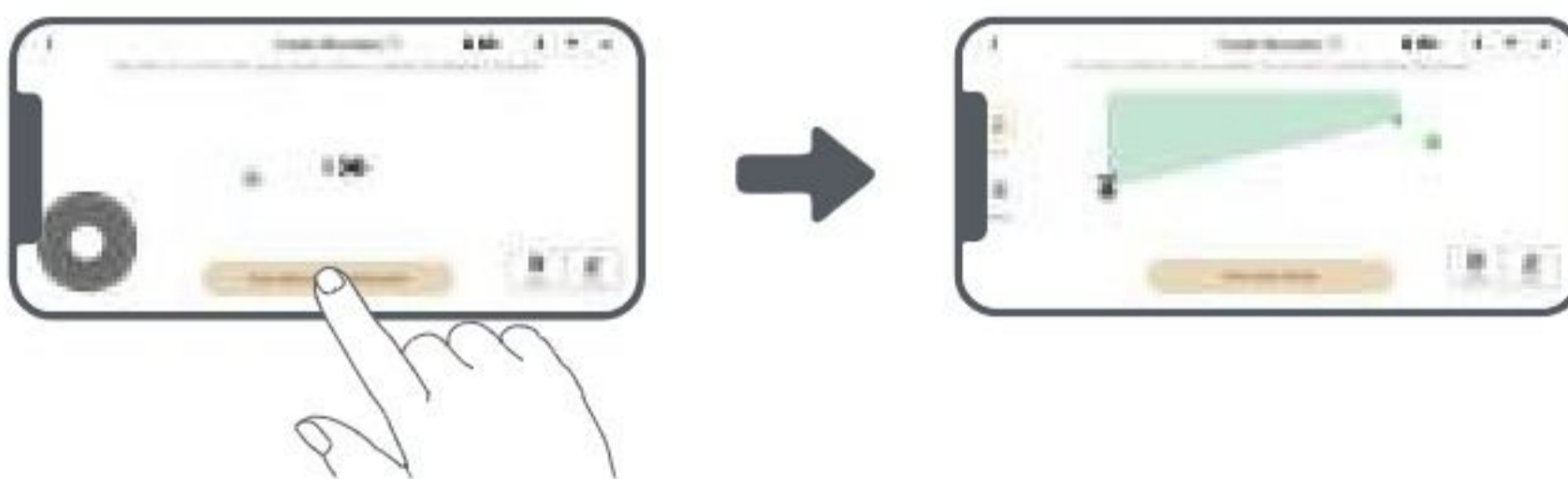
Rilevamento automatico del confine

Facendo affidamento su un algoritmo IA avanzato, il robot utilizza la sua telecamera anteriore per rilevare le aree con erba e quelle senza, consentendogli di identificare i confini senza bisogno di guida manuale. Dopo aver guidato il robot da remoto al bordo del prato e aver impostato il punto di partenza, è possibile utilizzare la modalità **Rilevamento automatico del confine**. È possibile scegliere se il robot deve sovrapporsi al perimetro per ottenere risultati di taglio più puliti o rimanere vicino allo stesso per evitare di rimanere bloccato.

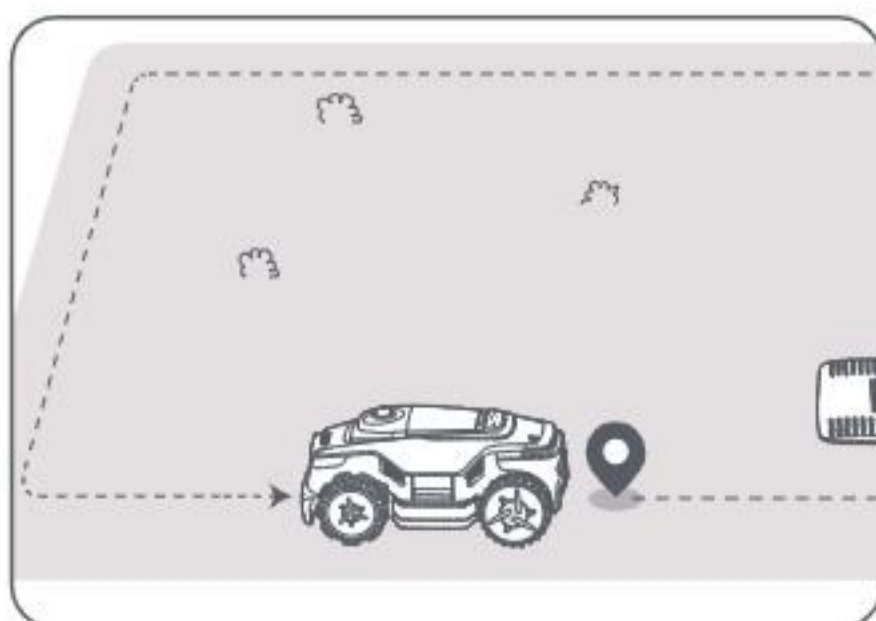
Consigliamo di seguire il robot durante questo processo. Se il robot non riesce a rilevare con precisione i confini, è possibile uscire dalla modalità di Rilevamento automatico del confine e passare al telecomando in qualsiasi momento.

Importante: La modalità Rilevamento automatico del confine deve essere utilizzata alla luce del giorno per garantire una visibilità adeguata. Evitare di utilizzare questa funzione in condizioni di scarsa illuminazione o di pioggia.


Importante: Verificare che la telecamera anteriore del robot sia pulita e non ostruita.

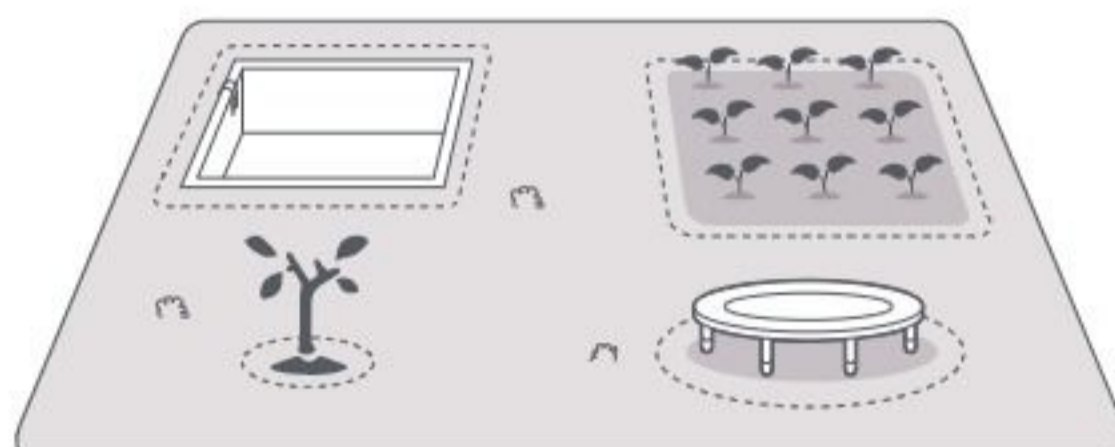


4. Quando il robot arriva a meno di **1 m** dal punto di partenza, puoi toccare **Chiudi il confine** e attendere che la perimetrazione sia completata in automatico.




5.2 Impostare Zona vietata

Sebbene il robot sia in grado di evitare automaticamente gli ostacoli, è comunque necessario impostare le aree a rischio di caduta, come le piscine e le sabbie, come zone vietate. Impostare come zone vietate gli oggetti che si desidera proteggere (come un'aiuola, un trampolino, un orto o una radice d'albero esposta). È possibile toccare **Zona vietata** nell'app per continuare a creare zone vietate. In alternativa, andare a  > **Modifica mappa** per creare o eliminare zone vietate dopo aver completato la mappa.




5.3 Creare più zone ed espandere quelle esistenti

- **Creare più zone**

Se il prato è separato da strade o se è costituito da sezioni multiple, è possibile toccare **Imposta zona** nell'app per continuare a creare aree di lavoro. È anche possibile aggiungere, eliminare o modificare le zone in  > **Modifica mappa** una volta completata la mappa.



- **Espandere le zone esistenti**

Per espandere una zona esistente, toccare **Imposta zona** nell'app per creare l'area da includere. Se le due aree si sovrappongono, vengono unite automaticamente. In alternativa, andare a  > **Modifica mappa** > **Imposta zona** dopo che la mappatura è completata per espandere una zona esistente.

- **Separare e combinare le zone**

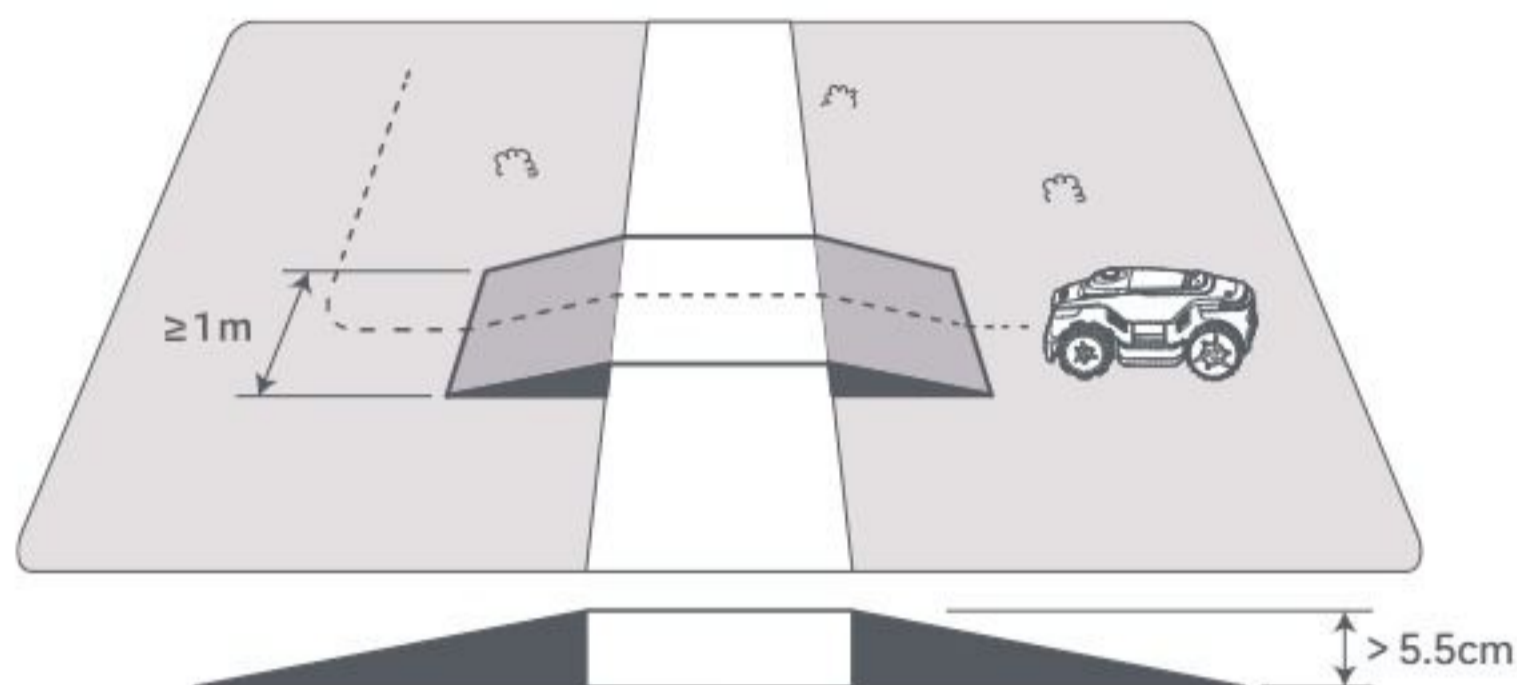
Per dividere una zona in zone più piccole o per unire zone che sono state divise utilizzando l'app in una più grande, andare a  > **Modifica mappa** > **Impostazioni zona** e toccare **Dividi zona** o **Unisci** nell'app.

5.4 Imposta percorso

Per le zone isolate, creare un percorso che le colleghi. Le zone isolate senza un percorso saranno inaccessibili al robot.

Nota: per impostazione predefinita, il robot si limita a muoversi lungo il percorso senza tagliare l'erba.

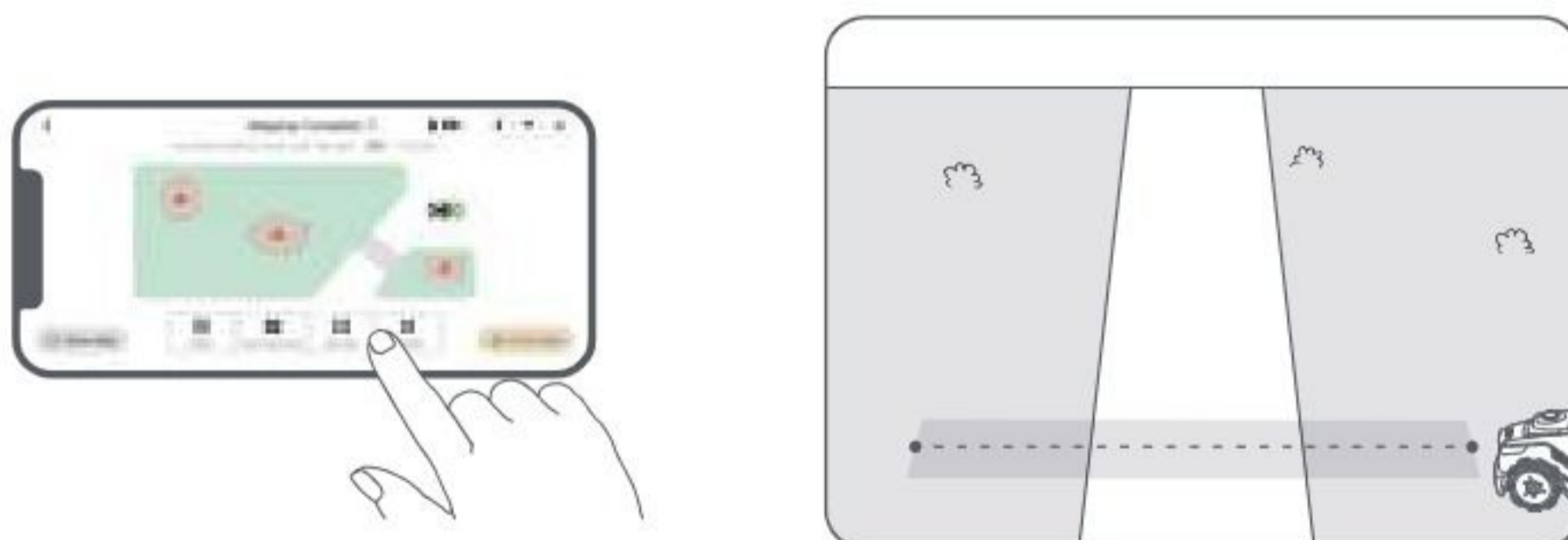
Importante: Se il prato è diviso da passaggi più alti di **5,5 cm**, collocare un oggetto con una pendenza pari all'altezza del passaggio (ad esempio una rampa).



- **Collegare due zone di lavoro isolate**

Per le aree isolate, creare percorsi che le colleghino, altrimenti saranno inaccessibili al robot. Toccare **Imposta percorso** per creare un percorso.

Importante: assicurarsi che l'inizio e la fine del percorso siano nell'area di lavoro.

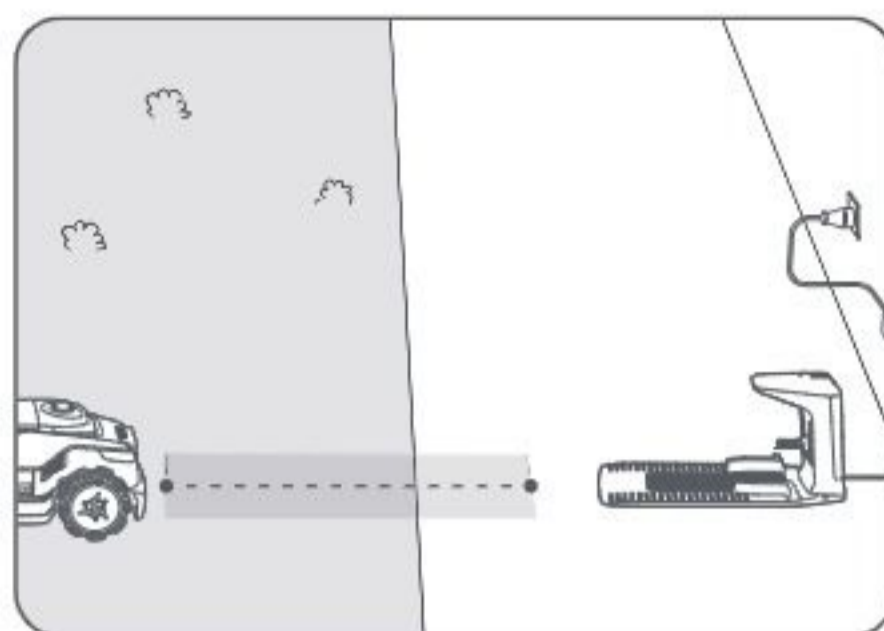
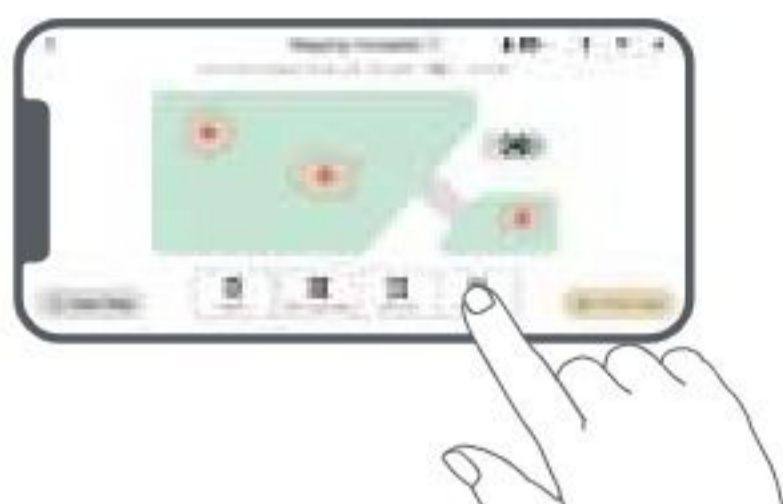


- **Collegare l'area di lavoro e la stazione di ricarica**

Se la stazione di ricarica non si trova nell'area di lavoro, è necessario creare un percorso che la colleghi ad essa. Toccare **Imposta percorso** per creare un percorso che consenta al robot di tornare alla stazione di ricarica.

Importante: Assicurarsi che un'estremità si trovi all'interno dell'area di lavoro e l'altra direttamente davanti alla stazione di ricarica. È consigliato allineare il percorso con la stazione di ricarica.

Importante: Quando si creano percorsi per collegare l'area di lavoro e la stazione di ricarica, non agganciare il robot alla stazione di ricarica da remoto. In caso contrario, il LiDAR potrebbe essere bloccato e questo può causare il fallimento della mappatura.





5.5 Finire mappa

Toccare **Finire mappa** quando le aree di lavoro, i percorsi e le zone vietate sono stati completati.



5.6 Aggiungere una seconda mappa

In assenza di un percorso tra giardino anteriore e giardino posteriore, è possibile creare una seconda mappa. Dopo aver completato la prima mappa, toccare **Aggiungi mappa** per continuare a creare la seconda. In alternativa, è possibile navigare a  > **Modifica mappa** e toccare **Aggiungi mappa** dopo che la mappatura è completata. Una volta completata la seconda mappa, è possibile passare da una mappa all'altra tramite  > **Modifica mappa**.

Nota: dopo aver cambiato mappa, verranno applicati i programmi e le impostazioni di taglio della nuova mappa.

Nota: È possibile acquistare una stazione di ricarica aggiuntiva da installare nell'area della seconda mappa per una maggiore comodità. Con una stazione di ricarica separata installata nella seconda mappa, è sufficiente spostare manualmente il robot tra le due mappe.

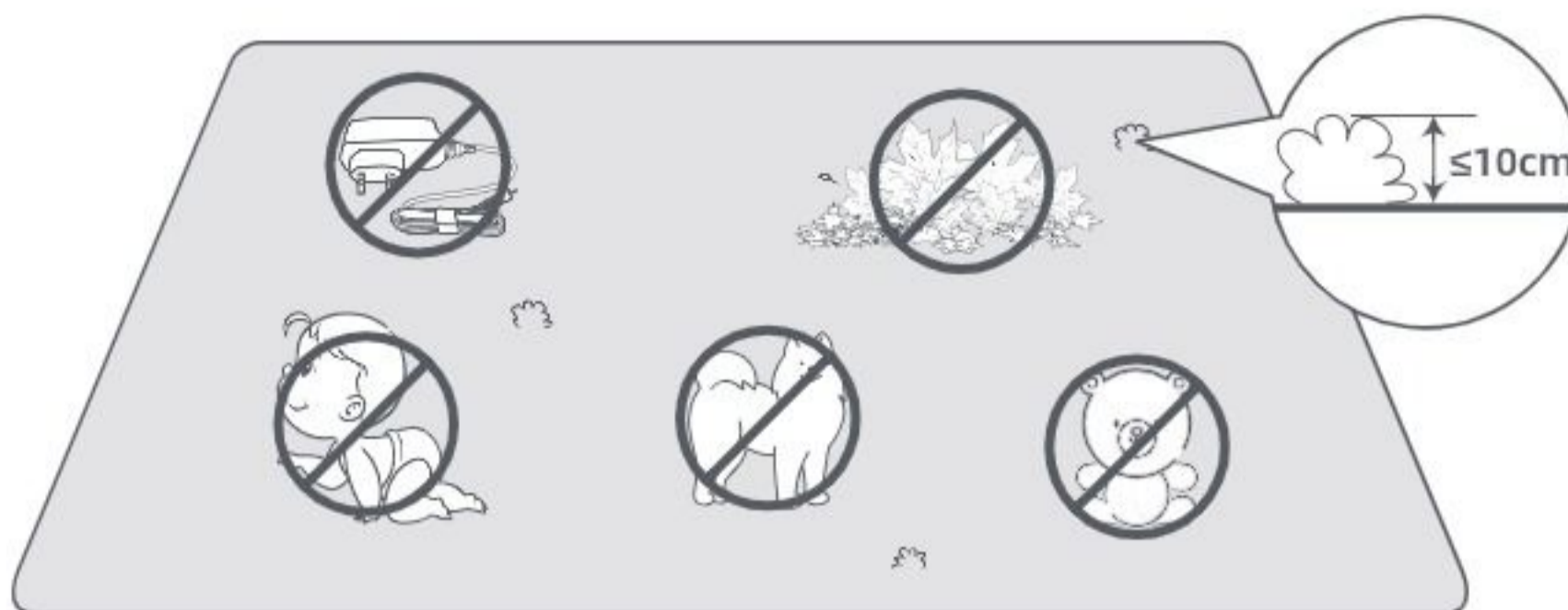


6 Utilizzo

6.1 Avviare la falciatura per la prima volta

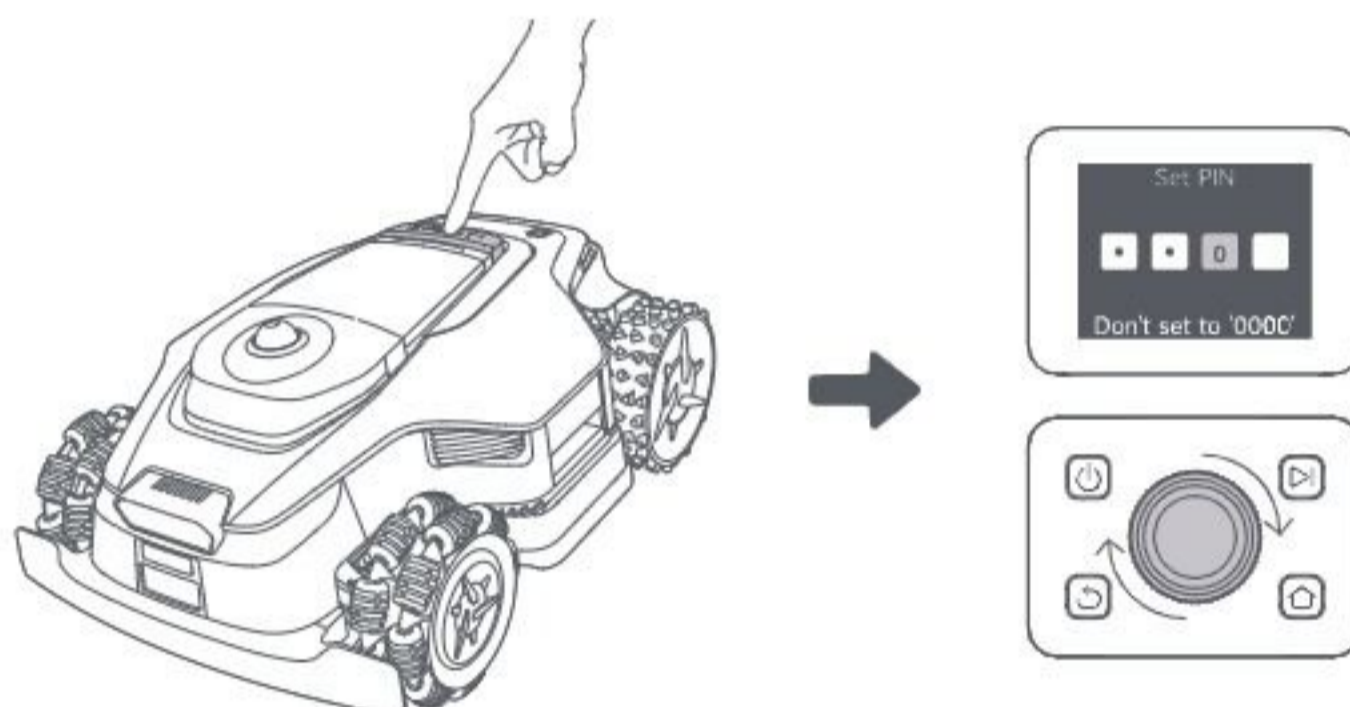
Suggerimenti prima della falciatura:

- Utilizzare un tosaerba a spinta per tagliare l'erba a un'altezza non superiore a 10 cm.
- Eliminare dal prato gli ostacoli, come detriti, mucchi di foglie, giocattoli, fili e pietre. Assicurarsi che nessun bambino o animale domestico si trovi sul prato quando il robot sta tagliando.
- Riempire le buche nel prato.
- Impostare in anticipo le proprie preferenze di falciatura nell'app (come efficienza di falciatura, altezza di sfalcio e direzione dello sfalcio).
- Mappare il giardino.



a) Avvio tramite il pannello di controllo

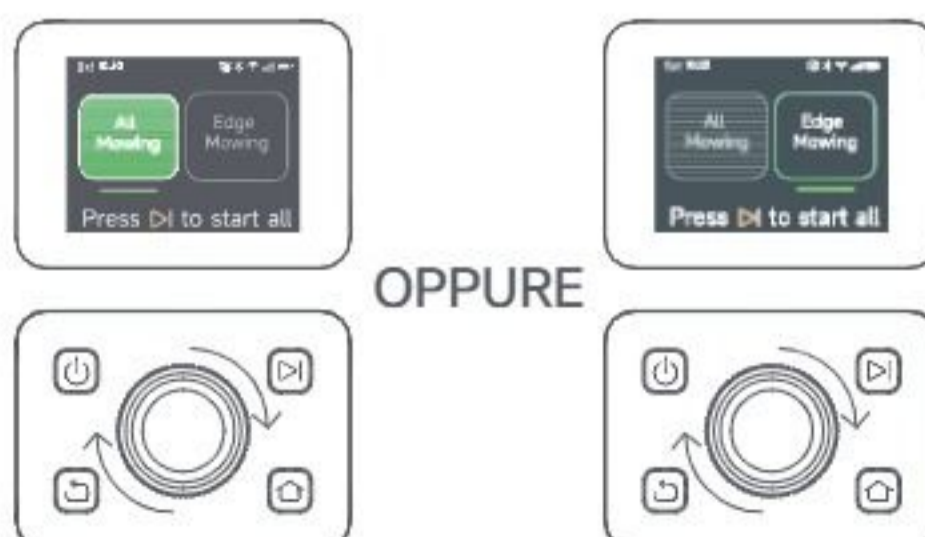
1. Premere il pulsante **Stop**, sollevare la copertura superiore e inserire il codice PIN.



2. Selezionare "Modalità" sullo schermo e premere la manopola.



3. Ruotare la manopola per selezionare la modalità di taglio.



4. Premere il pulsante **▶**, quindi **chiudere la copertura superiore** entro 5 secondi. Il robot lascerà la stazione di ricarica e inizierà la falciatura di tutta l'area. È anche possibile toccare **Avvia** nell'app per iniziare la falciatura.



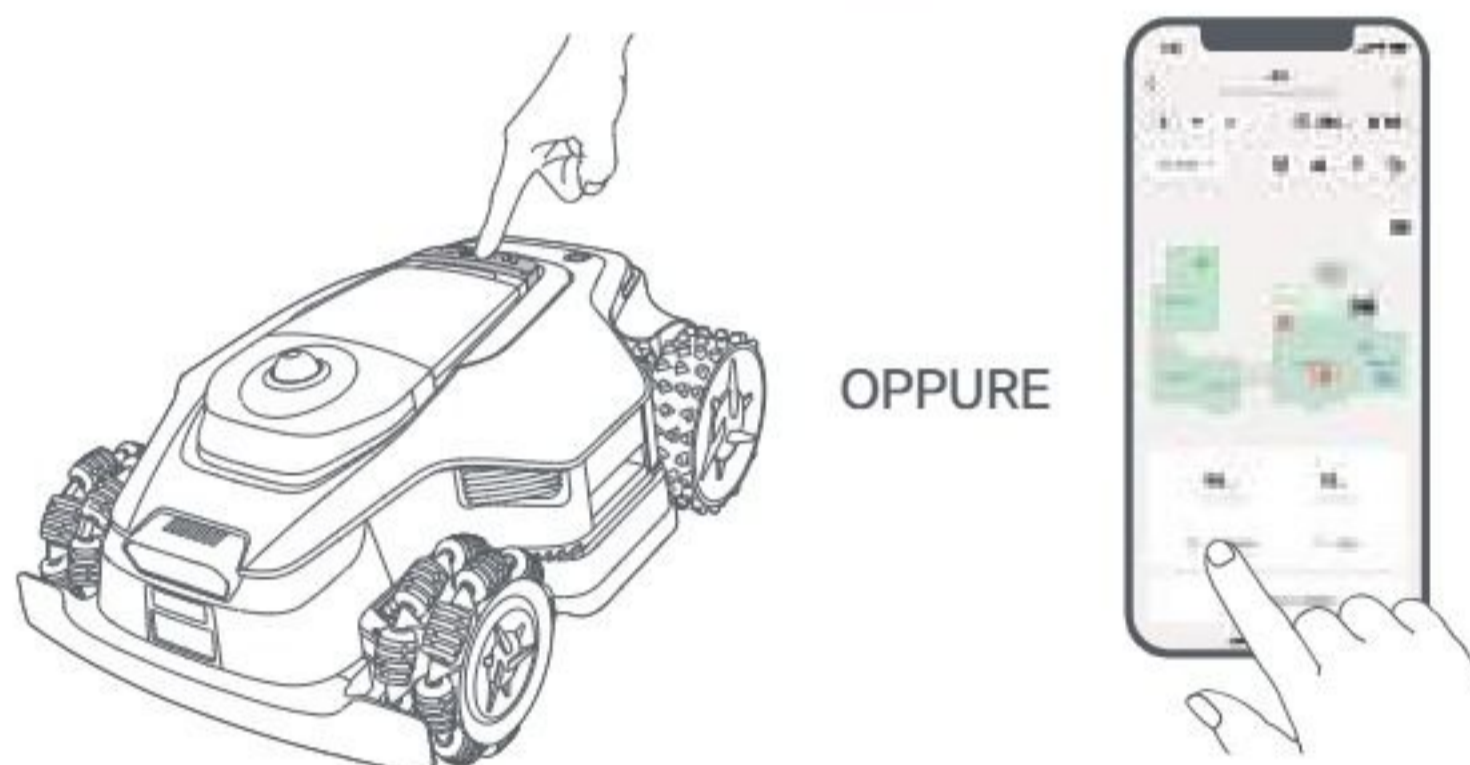
b) Avviare tramite l'app

1. Aprire l'app.
2. Selezionare una modalità di falciatura e toccare **Avvia** per avviare la falciatura.

6.2 Attività in pausa

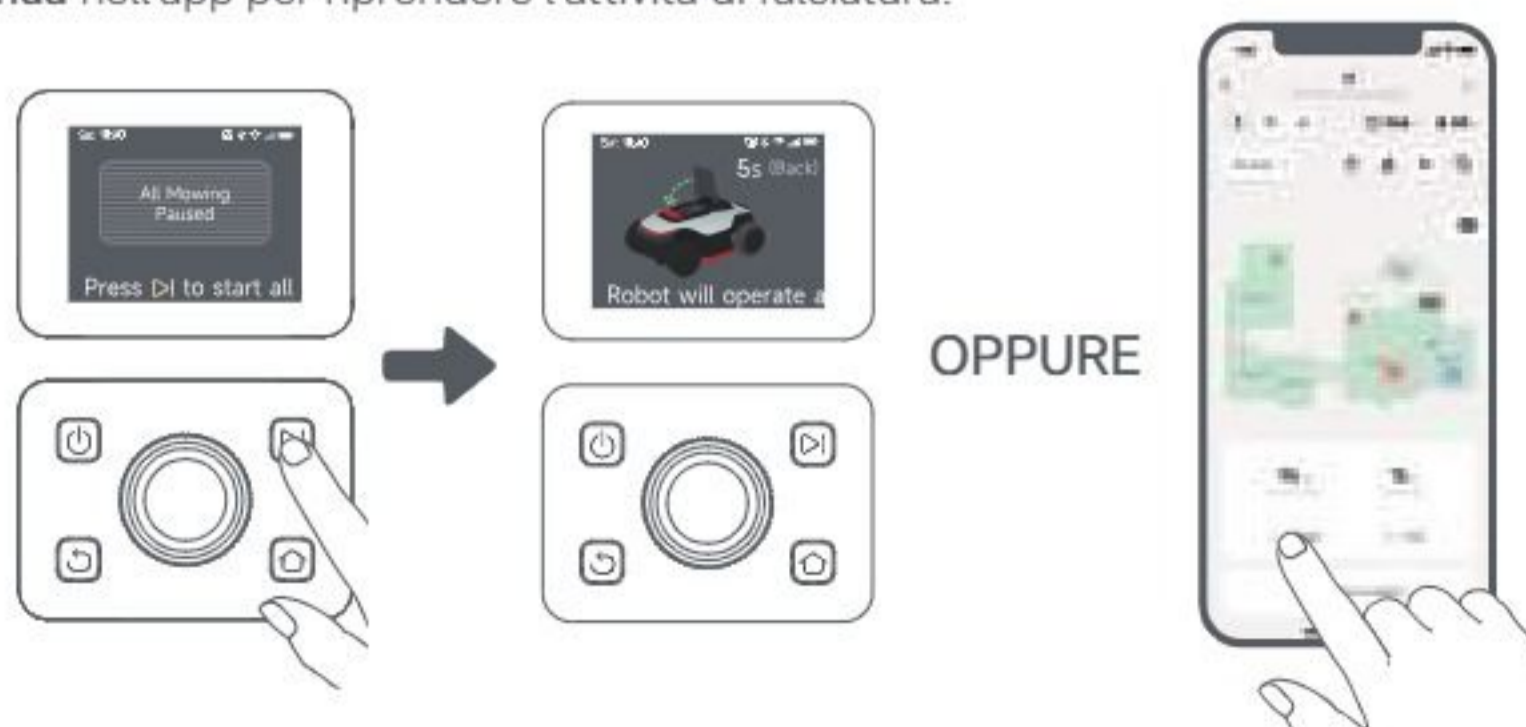
Per mettere in pausa l'attività di falciatura in corso, è possibile premere il pulsante di **Stop** sul robot o toccare **Pausa** nell'app.

Nota: Il robot non può essere avviato direttamente tramite l'app dopo aver premuto il pulsante **Stop**. Per riprendere il funzionamento, inserire il codice PIN sul pannello di controllo.



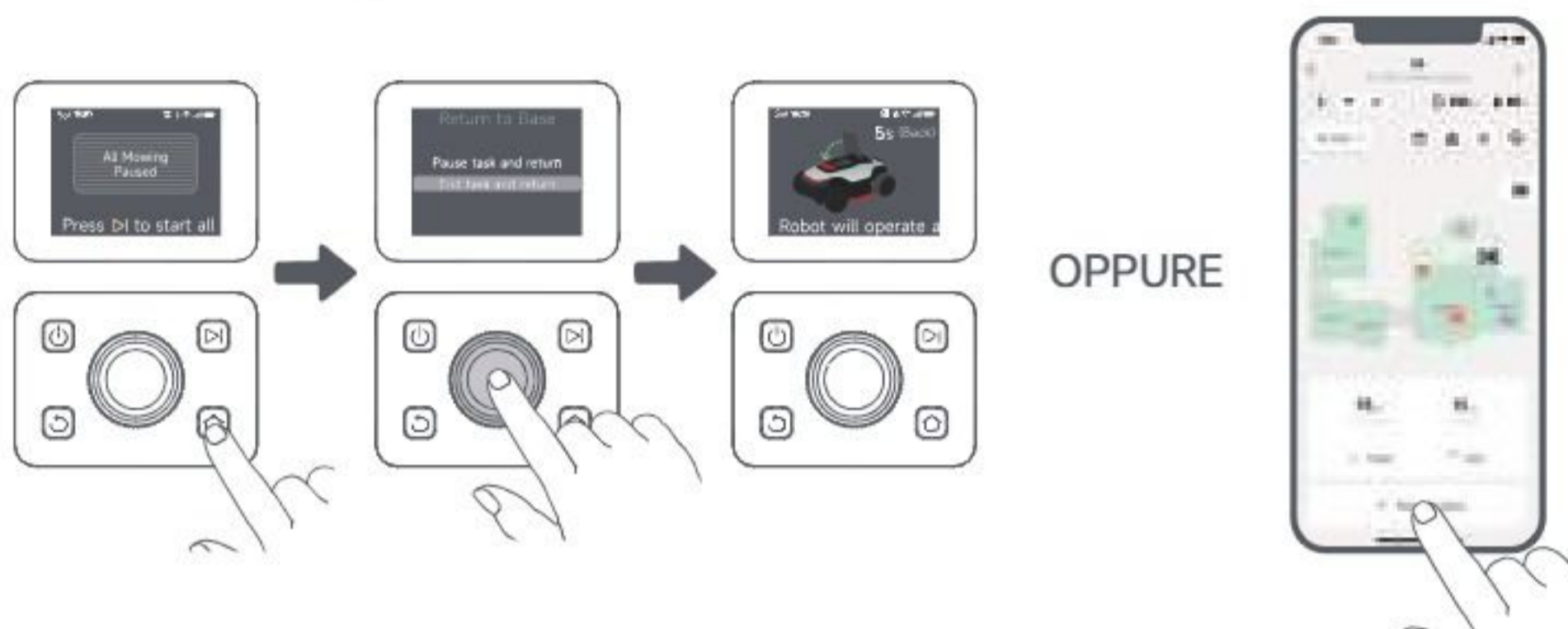
6.3 Ripresa dell'attività

Per riprendere l'attività quando il robot è in pausa, premere il pulsante **▶**, quindi **chiudere la copertura superiore** entro 5 secondi. Il robot riprenderà l'attività di falciatura precedente. In alternativa, è possibile toccare **Continua** nell'app per riprendere l'attività di falciatura.



6.4 Ritorno alla stazione di ricarica

Per riportare il robot alla stazione di ricarica, premere  sul pannello di controllo. Confermare per mettere in pausa o annullare l'attività corrente, quindi **chiudere la copertura superiore** entro 5 secondi. Il robot tornerà automaticamente alla stazione di ricarica per ricaricarsi. In alternativa, è possibile selezionare **Avvio ritorno alla stazione** nell'app per rimandare indietro il robot.



7 App Dreamehome

Dove è possibile esplorare di più

L'app Dreamehome è più di un semplice telecomando. Con l'app è possibile fare tante cose: completare varie impostazioni da remoto, provare diverse modalità di falciatura, modificare liberamente la mappa e regolare i programmi di taglio.

7.1 Modalità di falciatura

Il robot offre diverse modalità di falciatura. L'app consente di passare da una modalità all'altra, tra cui Falciatura di tutta l'area, Falciatura a zone, Falciatura dei bordi, Falciatura a punti e Modalità manuale.

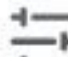


7.2 Forme per il taglio

Personalizzare il prato aggiungendo forme tramite  > **Modifica mappa** > **Forme** nell'app. Le forme definite saranno escluse dalla falciatura in tutte le modalità di falciatura. È possibile modificarne la posizione, le dimensioni o rimuoverle in **Forme**.




7.3 Sistema di taglio EdgeMaster™ 2.0

Con la tecnologia EdgeMaster™ 2.0, i dischi possono estendersi verso l'esterno durante il taglio del bordo del prato, garantendo una distanza disco-bordo inferiore a 3 cm per una rifinitura del bordo completa e precisa. Questa funzionalità massimizza la copertura di taglio e migliora l'estetica del prato. Andare a  > **Impostazioni di falciatura dei bordi** > **EdgeMaster™** nell'app.



7.4 Programma

Una volta completata la prima mappa, il robot crea automaticamente due programmi di taglio settimanali in base alle dimensioni del prato: **"Programma Primavera/Estate"** e **"Programma Autunno/Inverno"**.

È possibile toccare  nell'app per effettuare impostazioni dettagliate dei programmi. Con la funzione dei programmi, è possibile affidare completamente al robot il lavoro di falciatura quotidiano. È sufficiente effettuare una manutenzione regolare del robot.

Nota: se si teme che il robot possa disturbare l'utente o i vicini quando lavora autonomamente in determinate ore, è possibile andare su **Impostazioni > Non disturbare** e impostare l'orario di **Non disturbare** nell'app.



7.5 Blocco bambini

Per prevenire l'azionamento del robot da parte di bambini, andare a **Impostazioni** e attivare la funzione **Blocco bambini** nell'app. Con questa funzione attivata, il robot viene bloccato se non vengono eseguite operazioni per 5 minuti quando la copertura è aperta.



7.6 Protezione dalla pioggia

Per evitare che condizioni meteo avverse possano influire sul lavoro di falciatura, attivare la funzione **Protezione dalla pioggia** in **Impostazioni** sul pannello di controllo o nell'app. Quando questa funzione è attivata, il robot interrompe automaticamente la falciatura e torna alla stazione di ricarica quando piove. È possibile impostare il tempo di protezione dalla pioggia nell'app.

Nota: il taglio dell'erba bagnata può danneggiare il prato. È consigliabile prolungare la durata della protezione per consentire all'erba di asciugarsi prima di tagliare nuovamente.



7.7 Protezione antigelo

Se la temperatura scende al di sotto di **6 °C**, la falciatura può danneggiare in modo permanente il prato. La batteria non si carica come misura di sicurezza. Per evitare che ciò accada, è possibile abilitare la funzionalità **Protezione antigelo** in **Impostazioni**, tramite il pannello di controllo o l'app. La falciatura viene sospesa e il robot ritorna alla stazione di ricarica in automatico quando la temperatura scende sotto **6 °C**. Il robot riprenderà la falciatura quando la temperatura supererà **11 °C**.



7.8 Funzionalità di sicurezza

Il robot è dotato di funzionalità antifurto multiple, che facendo affidamento sul GPS integrato aumentano la sicurezza. Inoltre, la telecamera anteriore è in grado di rilevare la presenza umana, rendendo il robot un efficace guardiano del giardino.



7.8.1 Allarme di sollevamento

Con questa funzione abilitata, quando il robot viene sollevato scatta immediatamente un allarme e il robot viene bloccato. Per riprendere il funzionamento, inserire prima il codice PIN sul robot.



7.8.2 Allarme fuori mappa

Con questa funzione abilitata, il robot verrà bloccato e l'allarme scatterà immediatamente in caso di uscita dalla mappa.



7.8.3 Posizione in tempo reale

Con questa funzione abilitata, è possibile visualizzare la posizione attuale del robot su Google Maps.




7.8.4 Avviso di Presenza Umana

Quando questa funzione è attiva, il robot informa l'utente che è stata rilevata la presenza di persone.




7.8.5 Video in tempo reale

Toccare  per visualizzare un video in diretta dalla telecamera anteriore del robot, che consente di monitorare il giardino in qualsiasi momento e da qualsiasi luogo.



7.8.6 Perlustrazione

Mentre il robot è in standby, è possibile inviarlo a perlustrare confini o punti specifici del giardino tramite l'app. Per accedere a questa funzionalità, andare a  > **Perlustrazione**.



7.9 Periodo di carica personalizzato

Per personalizzare il periodo di ricarica del robot con orari specifici, è possibile abilitare la funzione **Periodo di carica personalizzato** tramite **Impostazioni > Ricarica** nell'app. Quando la funzione è attivata, il robot si ricaricherà al 20% quando il livello della batteria è basso, a condizione che non ci siano attività di taglio da svolgere. La ricarica completa avverrà solo durante il periodo di ricarica designato. È anche possibile personalizzare **Livello della batteria per la ricarica automatica** e **Livello della batteria per riprendere le attività** per impostare i livelli di batteria a cui il robot, in automatico, ritorna alla stazione di ricarica o riprende le attività di taglio incomplete.



Nota: Il team di sviluppo Dreame eseguirà continuamente aggiornamenti **OTA (Over-the-Air)** e manutenzione per firmware e app. Controllare le notifiche di aggiornamento o attivare la funzione di **Aggiornamento automatico** per mantenere il firmware e l'applicazione aggiornati e godere di maggiori funzionalità.

8 Manutenzione

Per migliorare le prestazioni e la durata del robot, pulirlo regolarmente e sostituire le parti usurate secondo la frequenza indicata di seguito:

Parte	Frequenza di sostituzione
Lame	Ogni 6-8 settimane o prima

Nota: È possibile controllare la durata residua delle lame navigando a **Impostazioni > Articoli di consumo e Manutenzione** nell'app. Dopo aver sostituito i materiali di consumo come richiesto, andare alla pagina dei dettagli del materiale di consumo e toccare **Ho sostituito il materiale** per ripristinare il timer.

Nota: Se nel giardino sono state designate aree per la pulizia e la manutenzione ordinaria del robot, è possibile impostare i Punti di manutenzione sulla mappa andando a **Impostazioni > Vai al Punto di manutenzione > Modifica Punto**. Una volta impostati i punti di manutenzione, è sufficiente toccare **Vai** per dirigere il robot verso le posizioni designate per facilitare la manutenzione.

8.1 Pulizia

Pulire regolarmente il robot per evitare che l'erba tagliata e la sporcizia si accumulino e intasino il disco di taglio e le ruote motrici, compromettendo le prestazioni di taglio, di aggancio e di movimento. Si consiglia di utilizzare un kit di pulizia, disponibile nei negozi locali oppure online.

⚠ Attenzione: prima della pulizia, spegnere il robot e scollegare la stazione di ricarica.

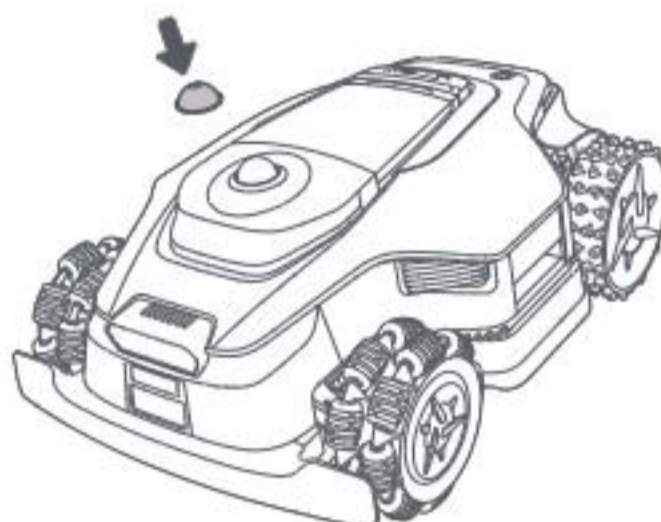
Attenzione: Prima di capovolgere il robot, accertarsi che il coperchio protettivo LiDAR sia applicato al LiDAR per evitare danni al LiDAR.

- L'alloggiamento, il telaio e il disco di taglio:

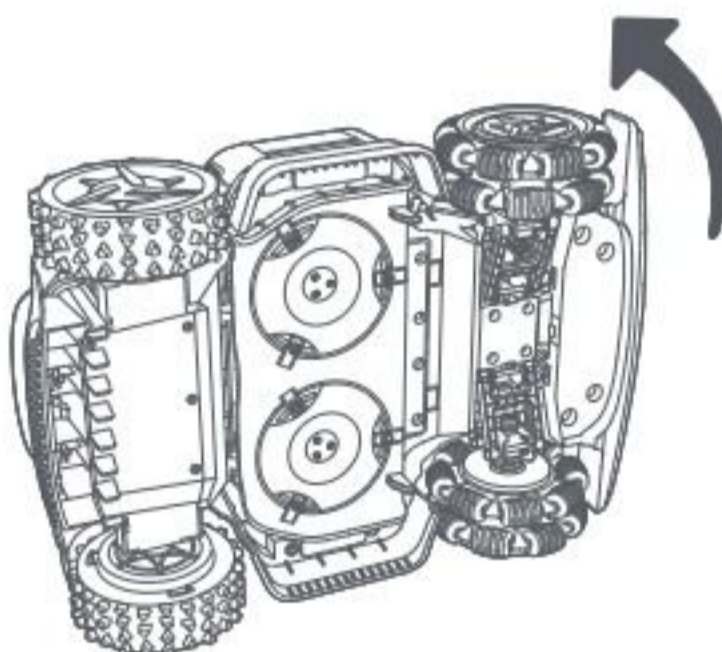
1. Spegnere il robot.



2. Coprire il LiDAR con il suo coperchio protettivo.



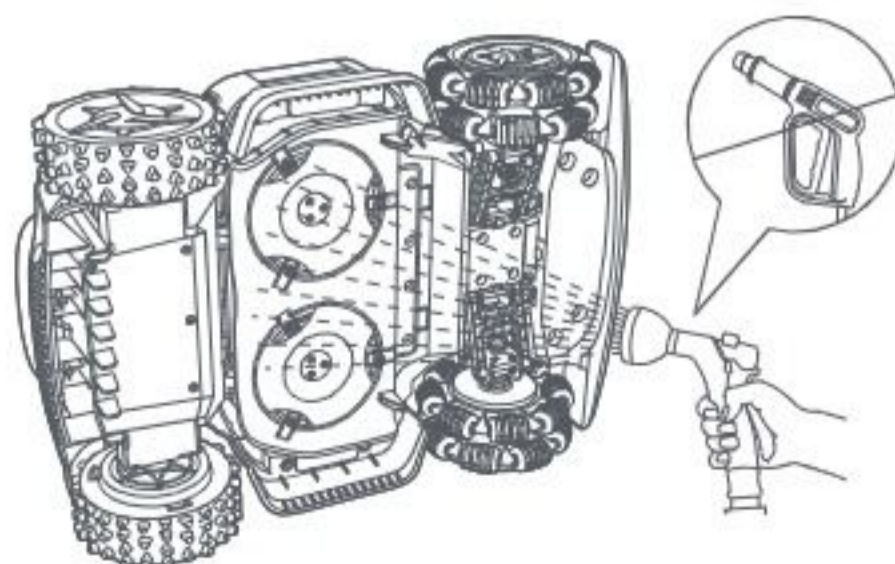
3. Posizionare il robot obliquo.



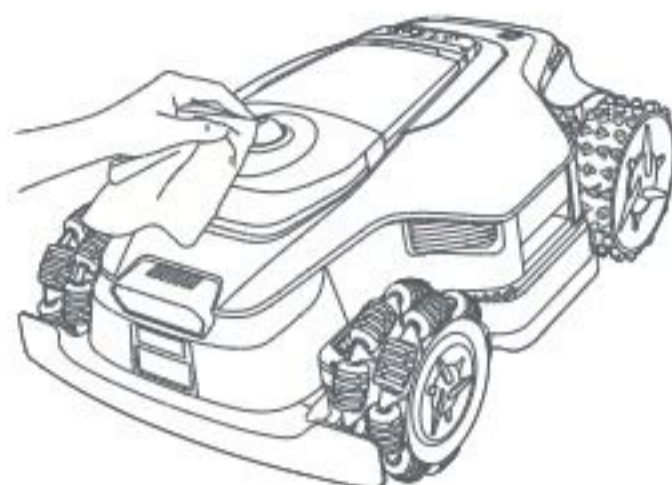
4. Pulire l'alloggiamento, il disco di taglio e il telaio con un tubo flessibile.

⚠ Attenzione: non toccare le lame durante la pulizia del telaio. Indossare i guanti durante la pulizia.

Attenzione: per la pulizia non utilizzare idropulitrici ad alta pressione. Non utilizzare detergenti per la pulizia.

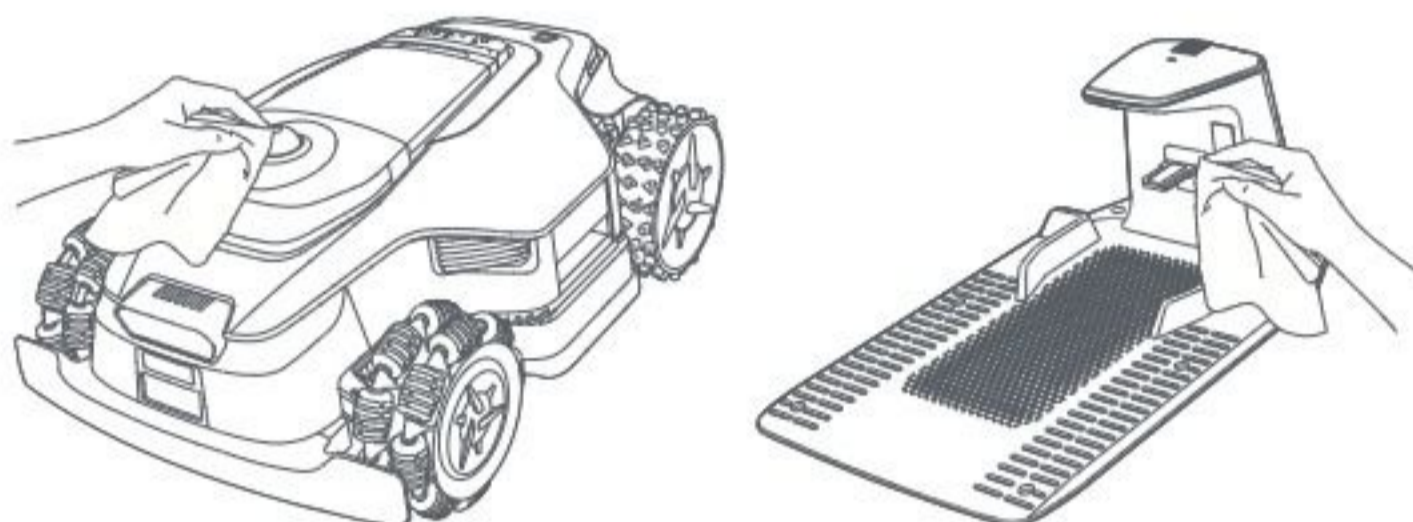


5. Utilizzare un panno senza pelucchi per pulire con cura il sensore LiDAR.



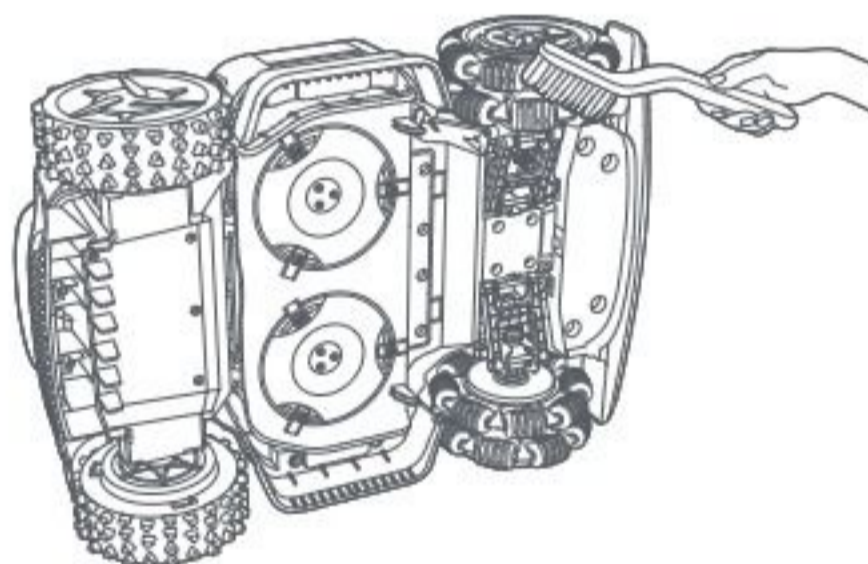
- **Contatti di ricarica e telecamera anteriore:**

Utilizzare un panno pulito per pulire i contatti di ricarica del robot e della stazione di ricarica, nonché per pulire la telecamera anteriore. Dopo la pulizia, tenere asciutti i contatti di ricarica e la telecamera anteriore.



- **Ruote motrici:**

Utilizzare una spazzola per rimuovere il fango dalle ruote e garantire una buona aderenza.



8.2 Sostituzione dei componenti

- **Sostituzione delle lame**

Per mantenere le lame affilate, sostituirle regolarmente. È raccomandato sostituire le lame ogni **6-8 settimane** o prima. Utilizzare esclusivamente lame originali Dreame (MBKA10/MQBA10).

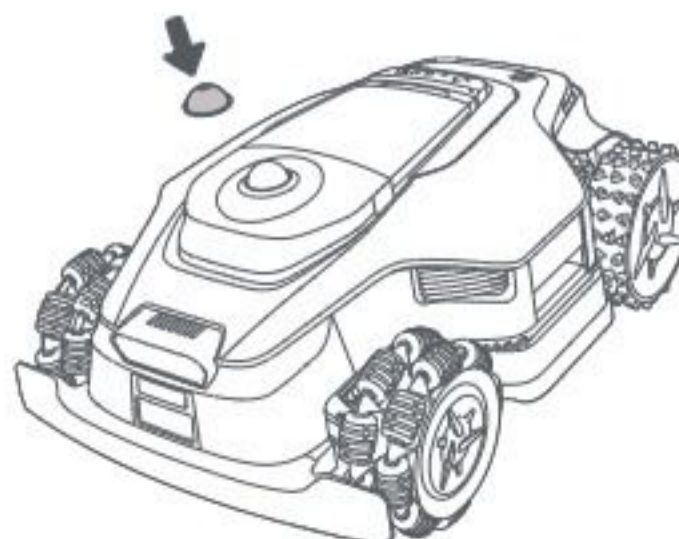
⚠ Avvertenza: Spegnere il robot. Indossare guanti di protezione prima di sostituire le lame.

Nota: sostituire tutte e tre le lame contemporaneamente per garantire un sistema di taglio equilibrato.

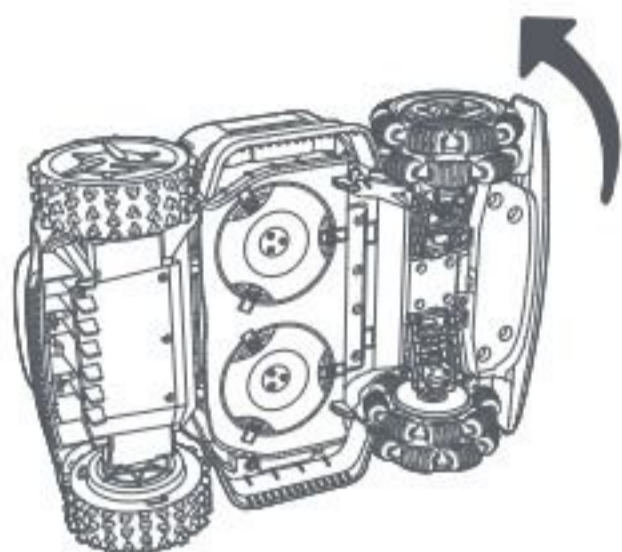
1. Spegnere il robot.



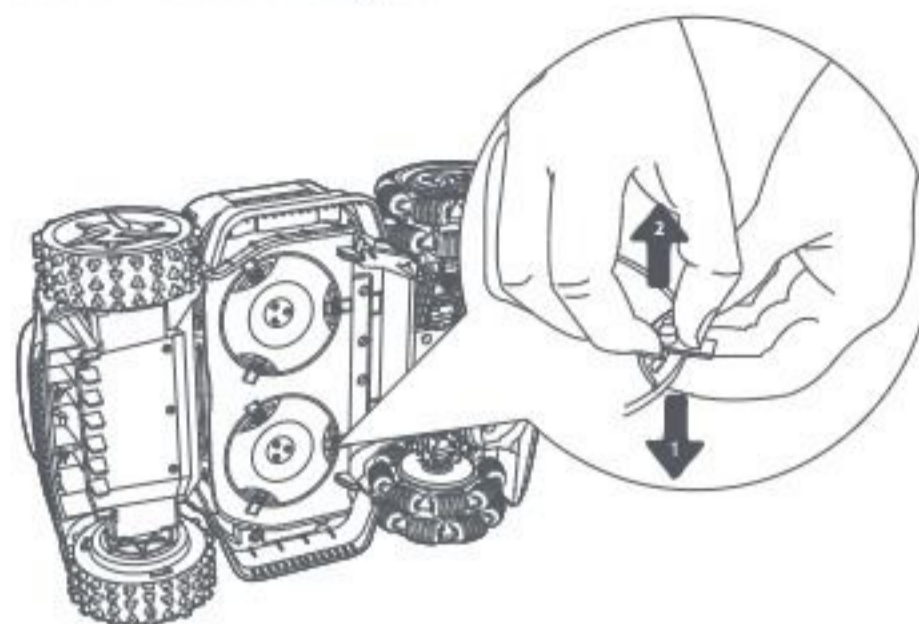
2. Coprire il LiDAR con il suo coperchio protettivo.



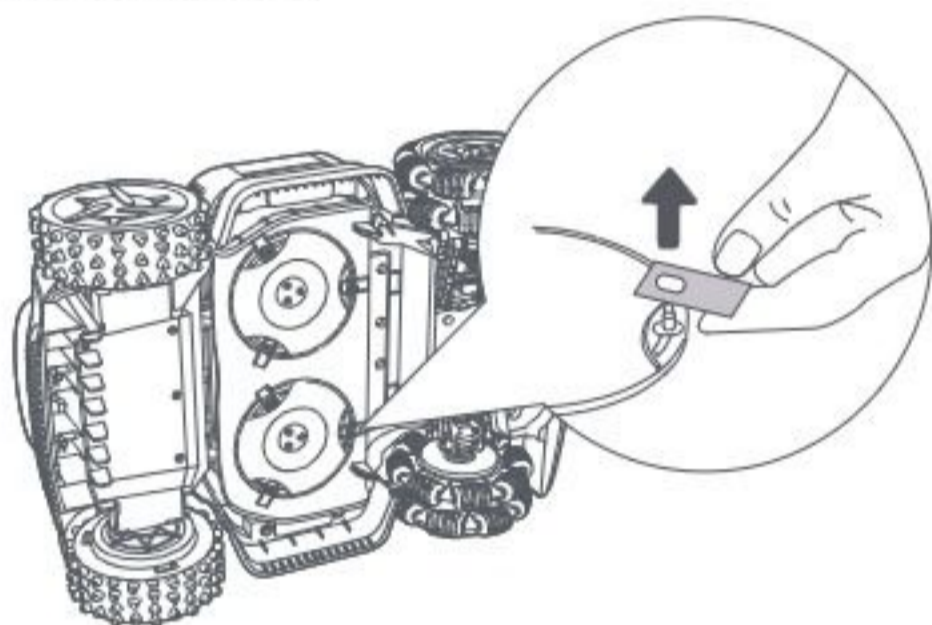
3. Mettere il robot su una superficie morbida e collocarlo obliquo.



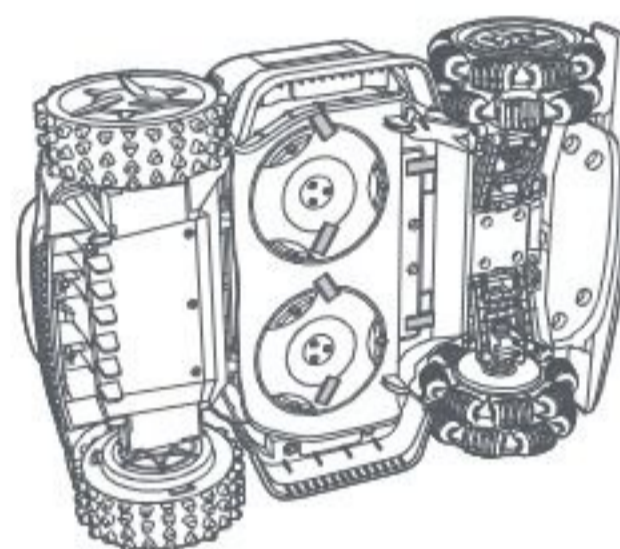
4. Rimuovere il supporto premendo il pulsante sotto il disco di taglio.



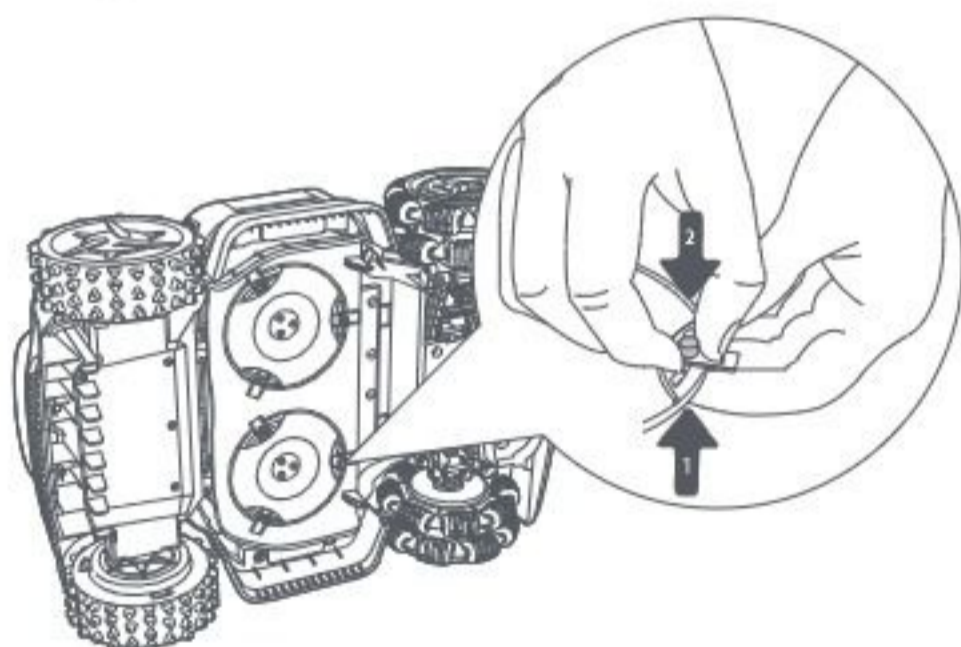
5. Rimuovere la lama allineando il foro della lama con l'albero.



6. Rimuovere le 3 lame e i supporti.



7. Premere il pulsante sotto il disco di taglio e allineare il foro del supporto all'albero per fissare supporti e lame.



8. Assicurarsi che le lame possano ruotare liberamente.

9 Batteria




Per proteggere la batteria negli stoccaggi a lungo termine, caricare completamente il robot ogni **6 mesi**. I danni alla batteria causati da una scarica eccessiva non sono coperti dalla garanzia limitata. Non caricare la batteria a una temperatura ambiente **superiore a 45 °C** o **inferiore a 6 °C**. La temperatura di stoccaggio a lungo termine della batteria deve essere compresa **tra -10 e 35 °C**. Per scongiurare il più possibile danni, la temperatura di stoccaggio consigliata per la batteria è compresa **tra 0 e 25 °C**.

Nota: la durata della batteria del robot dipende dalla frequenza di utilizzo e dalle ore di funzionamento.

Se la batteria è danneggiata o non può essere caricata, non smaltire arbitrariamente la batteria obsoleta o difettosa. Rispettare le norme locali in materia di riciclaggio.

Modalità di ricarica a basso consumo:

Quando si attiva la modalità di ricarica a basso consumo, le funzioni non correlate alla ricarica vengono disattivate (lo schermo e la rete sono spenti).

- Per attivare la modalità di ricarica a basso consumo, tenere premuti il pulsante  e il pulsante , e premere il pulsante  5 volte in rapida successione contemporaneamente. Viene emesso un messaggio vocale: la modalità di ricarica a basso consumo è attiva.

- Per disattivare la modalità di ricarica a basso consumo, riavviare il robot o premere il pulsante  5 volte in rapida successione.

10 Stoccaggio invernale

• Il Robot

1. Caricare completamente la batteria prima di spegnere il robot.
2. Pulire accuratamente il robot prima di riporlo in inverno.
3. Applicare il coperchio protettivo del LiDAR.
4. Conservare il robot all'interno in un luogo asciutto, a una temperatura **superiore a 0 °C**.

• Stazione di ricarica

Scollegare la stazione di ricarica e conservarla in un luogo asciutto e fresco, lontano dalla luce solare diretta.

Nota: dopo lo stoccaggio invernale, reinstallare la stazione di ricarica e collocarvi il robot per caricarlo. Se si reinstalla la stazione di ricarica in una posizione diversa, il robot aggiornerà automaticamente la posizione della stazione non appena la ricarica e la lascia. Se si verificano errori di posizionamento a causa di cambiamenti importanti nel giardino, si consiglia di rimappare l'area.

11 Trasporto

Per il trasporto su lunghe distanze, assicurarsi che il robot sia spento. Si raccomanda di utilizzare la confezione originale. Posizionare il coperchio protettivo del LiDAR.

 **Avvertenza:** Spegner il robot prima di trasportarlo.

 **Avvertenza:** Sollevare il robot mediante il manico posteriore, con il disco di taglio lontano dal corpo.

12 Risoluzione dei problemi

Problema	Causa	Soluzione
Il robot non è connesso all'app.	<ol style="list-style-type: none"> 1. Il robot non si trova all'interno della copertura del segnale Wi-Fi o della portata del Bluetooth. 2. Il robot è spento o si sta riavviando. 	<ol style="list-style-type: none"> 1. Controllare se il robot ha completato il processo di accensione. 2. Verificare che il router funzioni correttamente. 3. Avvicinarsi al robot per stabilire una connessione Bluetooth.
Il robot è stato sollevato.	La ruota non poggia a terra.	<ol style="list-style-type: none"> 1. Riportare il robot su un terreno piatto. 2. Inserire il codice PIN sul robot e confermare. 3. Il robot non può attraversare oggetti più alti di 5,5 cm. Mantenere il terreno uniforme nel punto in cui il robot sta lavorando.
Robot inclinato.	Il robot si inclina di oltre 37°.	<ol style="list-style-type: none"> 1. Riportare il robot su un terreno piatto. 2. Inserire il codice PIN sul robot e confermare. 3. Il robot non può superare pendenze superiori al 80% (38°).
Robot intrappolato.	Il robot è intrappolato e non riesce ad uscire.	<ol style="list-style-type: none"> 1. Rimuovere gli ostacoli intorno e riprovare. 2. Spostare manualmente il robot in un'area piatta e aperta all'interno della mappa e provare a ricominciare l'attività. Se si continua a riscontrare questo problema, riprovare dopo che il robot è nella stazione di ricarica. 3. Controllare se ci sono buchi nel terreno. Riempire le buche prima di falciare per evitare che il robot rimanga intrappolato. 4. Controllare se l'erba circostante è più alta di 10 cm. È possibile regolare l'altezza di evitamento degli ostacoli o utilizzare un tosaerba a spinta per tagliare il prato in anticipo ed evitare che il robot rimanga intrappolato. 5. Se il robot rimane spesso intrappolato in questo punto, è possibile impostarlo come zona vietata.
Malfunzionamento delle ruote anteriori di sinistra e destra e delle ruote posteriori di sinistra e destra.	La ruota non può girare o il motore della ruota ha un problema.	<ol style="list-style-type: none"> 1. Pulire le ruote posteriori e riprovare. 2. Se si continua a riscontrare l'errore, provare a riavviare il robot. 3. Se il problema persiste, contattare il servizio post-vendita.
Il disco di taglio non ruota.	Il disco di taglio non può ruotare normalmente o il motore di taglio ha un problema.	<ol style="list-style-type: none"> 1. Pulire il disco di taglio e riprovare. 2. Controllare se l'erba circostante è più alta di 10 cm. È possibile utilizzare un tosaerba a spinta per tagliare il prato in anticipo per evitare che il disco di taglio venga bloccato dall'erba alta. 3. Controllare se c'è acqua sotto il disco di taglio. Se c'è acqua, spostare il robot in un luogo asciutto e riprovare. 4. Se si continua a riscontrare l'errore, provare a riavviare il robot. 5. Se il problema persiste, contattare il servizio post-vendita.

Problema	Causa	Soluzione
Il disco di taglio non riesce a muoversi verso l'alto o verso il basso.	Il disco di taglio non riesce a muoversi verso l'alto o verso il basso.	<ol style="list-style-type: none"> 1. Pulire il disco di taglio e riprovare. 2. Se si continua a riscontrare l'errore, provare a riavviare il robot. 3. Se il problema persiste, contattare il servizio post-vendita.
Il disco di taglio non può spostarsi lateralmente.	Il disco di taglio non può spostarsi lateralmente.	<ol style="list-style-type: none"> 1. Pulire il sistema di taglio e rimuovere eventuali oggetti estranei o detriti. 2. Se il problema persiste, provare a disabilitare prima la funzione EdgeMaster™. 3. Se il problema persiste, contattare il servizio post-vendita.
Errore paraurti.	Il sensore del paraurti anteriore si attiva costantemente.	<ol style="list-style-type: none"> 1. Controllare se il robot è intrappolato da qualche parte. 2. Toccare delicatamente il paraurti e assicurarsi che ritorni in posizione. 3. Se si continua a riscontrare questo errore, provare a riavviare il robot. 4. Se il problema persiste, contattare il servizio post-vendita.
Anomalia della ricarica.	Il robot si aggancia alla stazione di ricarica, ma la corrente o la tensione di ricarica presentano un problema.	<ol style="list-style-type: none"> 1. Controllare che la stazione di ricarica sia collegata correttamente all'alimentazione. 2. Controllare che i contatti di ricarica del robot e della stazione di ricarica siano puliti. 3. Al termine del controllo, provare ad agganciare nuovamente il robot alla stazione di ricarica. 4. Se il problema persiste, contattare il servizio post-vendita.
Temperatura della batteria troppo alta.	La temperatura della batteria è $\geq 60^{\circ}\text{C}$.	<ol style="list-style-type: none"> 1. Usare il robot quando la temperatura ambiente è inferiore a 40°C. Puoi aspettare che la temperatura della batteria diminuisca automaticamente. 2. È possibile spegnere il robot e riavviarlo dopo un po'. 3. Se il problema persiste, contattare il servizio post-vendita.
La temperatura della batteria è alta.	La temperatura della batteria è $\geq 45^{\circ}\text{C}$.	<ol style="list-style-type: none"> 1. La ricarica potrebbe non riuscire quando la temperatura della batteria supera i 45°C. 2. Usare il robot quando la temperatura ambiente è inferiore a 40°C.
La temperatura della batteria è bassa.	La temperatura della batteria è $\leq 6^{\circ}\text{C}$.	<ol style="list-style-type: none"> 1. La ricarica potrebbe non funzionare quando la temperatura della batteria è inferiore a 6°C. 2. Usare il robot quando la temperatura ambiente è superiore a 6°C.
Il LiDAR è bloccato.	Il LiDAR è bloccato (per esempio, il coperchio protettivo LiDAR non è stato rimosso).	<ol style="list-style-type: none"> 1. Rimuovere il coperchio protettivo LiDAR e riprovare. 2. Se il LiDAR sulla parte superiore del robot è molto sporco, pulirlo con un panno senza pelucchi e riprovare.

Problema	Causa	Soluzione
Malfunzionamento del LiDAR.	Il LiDAR è molto sporco o c'è un errore del sensore.	<ol style="list-style-type: none"> 1. Controllare se il LiDAR è sporco. Pulirlo se necessario e riprovare. 2. Se si continua a riscontrare l'errore, provare a riavviare il robot. 3. Se il problema persiste, contattare il servizio post-vendita.
Il LiDAR è sporco.	Il LiDAR è sporco.	Pulire il sensore LiDAR sulla parte superiore del robot con un panno pulito. Mantenere il LiDAR asciutto dopo la pulizia.
La temperatura del LiDAR è alta.	La temperatura del LiDAR è ≥ 80 °C.	<ol style="list-style-type: none"> 1. Il robot tenterà automaticamente di tornare alla stazione di ricarica per raffreddarsi. 2. Assicurarsi che il robot funzioni a una temperatura ambiente inferiore a 40 °C. 3. Posizionare il robot in un'area ombreggiata, fresca e ben ventilata. L'allarme si fermerà quando la temperatura tornerà nell'intervallo normale. 4. Il robot riprenderà automaticamente a funzionare non appena l'allarme si fermerà. 5. Se il problema persiste, contattare il servizio post-vendita.
La temperatura del LiDAR è troppo alta.	La temperatura del LiDAR è ≥ 90 °C.	<ol style="list-style-type: none"> 1. Il LiDAR si è spento a causa delle temperature elevate. 2. Assicurarsi che il robot funzioni a una temperatura ambiente inferiore a 40 °C. 3. Posizionare il robot in un'area ombreggiata, fresca e ben ventilata. L'allarme si fermerà quando la temperatura tornerà nell'intervallo normale. 4. Se il problema persiste, contattare il servizio post-vendita.
Il robot si è perso.	Il posizionamento è perso.	<ol style="list-style-type: none"> 1. Controllare se il LiDAR sulla parte superiore del robot è sporco. La sporcizia influisce sul posizionamento. 2. Spostare manualmente il robot in un luogo aperto all'interno della mappa e provare a ricominciare l'attività. 3. Se il posizionamento non viene recuperato, controllare il robot in remoto fino alla stazione di ricarica tramite l'app e poi avviare l'attività di falciatura.
Errore del sensore.	Errore del sensore.	<ol style="list-style-type: none"> 1. Riavviare il robot e riprovare. 2. Se il problema persiste, contattare il servizio post-vendita.
Il robot si trova nella zona vietata.	Il robot si trova nella zona vietata.	<ol style="list-style-type: none"> 1. Spostare manualmente il robot fuori dalla zona vietata e riprovare. 2. Controllare il robot da remoto tramite l'app per spostarlo fuori dalla zona vietata e riprovare.

Problema	Causa	Soluzione
Il robot è uscito dalla mappa.	Il robot è uscito dalla mappa.	<ol style="list-style-type: none"> 1. Spostare manualmente il robot all'interno della mappa e riprovare. 2. Controllare il robot da remoto all'interno della mappa tramite l'app e riprovare.
L'arresto di emergenza è attivato.	Il pulsante di stop del robot viene premuto.	Inserire il codice PIN sul robot e confermare.
Batteria scarica. Il robot si spegnerà presto.	Il livello della batteria è \leq 10%.	Agganciare il robot nella stazione di ricarica per ricaricarlo.
Il robot è uscito dalla mappa. Rischio di furto.	Il robot è uscito dalla mappa.	<ol style="list-style-type: none"> 1. Inserire il codice PIN sul robot e confermare. 2. È possibile disattivare l'Allarme fuori mappa nelle Impostazioni dell'app.
Impossibile tornare alla stazione di ricarica.	Il robot non riesce a trovare la stazione di ricarica quando vi ritorna.	<ol style="list-style-type: none"> 1. Controllare se ci sono ostacoli che bloccano il robot. Rimuovere gli ostacoli e riprovare. 2. Controllare a distanza il robot per farlo tornare alla stazione di ricarica tramite l'app.
Impossibile agganciarsi alla stazione di ricarica.	Il robot trova la stazione di ricarica, ma non riesce ad agganciarsi.	<ol style="list-style-type: none"> 1. Controllare se le pellicole riflettenti della stazione sono sporche o bloccate. 2. Controllare se ci sono ostacoli davanti alla stazione. 3. Controllare se la stazione è stata spostata. 4. Controllare se la piastra di base è coperta di uno spesso strato di fango. 5. Verificare se la stazione si trova su una pendenza. 6. Verificare se la stazione è alimentata. 7. Aiutare il robot ad agganciarsi alla stazione di ricarica utilizzando il telecomando o manualmente.
Posizionamento fallito.	Il posizionamento fallisce quando il robot tenta di avviare un'attività di falciatura.	<ol style="list-style-type: none"> 1. Il LiDAR potrebbe essere ostruito. Spostare manualmente il robot in un'area piatta e aperta all'interno della mappa e provare a ricominciare l'attività. 2. Se si continua a riscontrare questo errore, riprovare dopo che il robot è agganciato alla stazione di ricarica.
Spazio insufficiente per girare davanti alla stazione.	Spazio insufficiente per girare davanti alla stazione.	<ol style="list-style-type: none"> 1. Se la stazione è posizionata sul bordo della mappa o all'interno di essa, assicurarsi che vi sia almeno 1 m di spazio libero tra l'area anteriore della piastra di base della stazione e il confine della mappa; altrimenti, il robot potrebbe non essere in grado di girare. 2. Spostare la stazione, o modificare la mappa in Modifica mappa.

Problema	Causa	Soluzione
Percorso ostruito.	Percorso ostruito.	<ol style="list-style-type: none"> 1. Controllare se è impostata una zona vietata nel percorso. 2. Controllare se ci sono ostacoli che bloccano il robot. 3. Se il robot non riesce ancora a passare, eliminare il percorso in Modifica mappa e impostarne uno nuovo.
La telecamera anteriore è sporca.	La telecamera anteriore è sporca.	Pulire la telecamera anteriore con un panno pulito.
C'è un problema con la telecamera anteriore.	C'è un problema con la telecamera anteriore.	<ol style="list-style-type: none"> 1. Pulire la telecamera anteriore con un panno pulito. 2. Provare a riavviare il robot. 3. Se il problema persiste, contattare il servizio post-vendita.
Telecamera anteriore bloccata.	Telecamera anteriore bloccata.	Pulire la telecamera anteriore con un panno pulito.
Si è verificato un errore di rilevamento dei confini durante la Mappatura automatica.	Si è verificato un errore di rilevamento dei confini durante la Mappatura automatica.	<ol style="list-style-type: none"> 1. Assicurarsi che le condizioni di illuminazione siano adatte, con una luminosità né eccessiva né troppo scarsa. 2. Verificare che il tempo sia buono, senza nebbia o pioggia. 3. Verificare che la telecamera anteriore sia pulita e non ostruita. 4. Assicurarsi che la superficie del terreno sia piana, poiché le irregolarità potrebbero influire sul rilevamento. 5. Se il rilevamento del confine continua a non riuscire, passare alla modalità telecomando per la mappatura.
Vibrazioni anomale.	Vibrazioni anomale.	<ol style="list-style-type: none"> 1. Ispezionare il disco di taglio in merito a integrità per determinare se è danneggiato. Ricontrao danni, sostituire il disco. 2. Se il disco è intatto, contattare l'assistenza post-vendita.

13 Specifiche tecniche

		A3 3500
Informazioni di base	Nome del prodotto	Robot tosaerba Dreame A3 AWD Pro
	Marca	Dreame
	Modello	MXXA9300
	Dimensioni	740×532×325 mm
	Peso (batteria inclusa)	24,3 kg
Falcatura	Capacità di lavoro consigliata	3500 m ²
	Efficienza di falciatura (standard EGMF)	Standard: 2500 m ² /24hrs Efficiente: 3500 m ² /24hrs Veloce : 5000 m ² /24hrs
	Altezza di sfalcio	3-10 cm (con incrementi di 5 mm)
	Larghezza di taglio	40 cm
	Tempo di ricarica ^[2]	85 min
Emissioni acustiche	Livello di potenza acustica LWA	65 dB(A)
	Incertezze della potenza sonora KWA	3 dB(A)
	Livello di pressione acustica LpA	54 dB(A)
	Incertezze della pressione sonora KpA	3 dB(A)
Condizioni di lavoro	Temperatura di esercizio	0~50 °C Consigliato: 10~35 °C
	Temperatura di conservazione a lungo termine	-10~35 °C Consigliato: 0~25 °C
	Grado IP	Robot: IPX6 Stazione di ricarica: IPX4 Alimentazione elettrica: IP67
	Pendenza massima per l'area di sfalcio	80%
Connettività	Gamma di frequenza Bluetooth	2.4 GHz~2.4835 GHz
	Potenza RF massima	802.11b: 16±2 dBm (@11 Mbps) 802.11g: 14±2 dBm (@54 Mbps) 802.11n: 13±2 dBm (@HT20, HT40) Bluetooth: 7,49 dBm
	Wi-Fi	Wi-Fi 2,4 GHz (2400-2483.5M)
	Servizio Link ^[3]	LTE-FDD: B1/3/7/8/20/28A LTE-TDD: B38/40/41
	GNSS	GPS/GLONASS/BDS/Galileo/QZSS

		A3 3500
Motore di azionamento	Velocità di avanzamento con telecomando	0,45 m/s-0,8 m/s
	Velocità di avanzamento durante la falciatura	Standard: 0,35 m/s Efficiente: 0,6 m/s Azione rapida: 0,8 m/s
	Tipo di motore	Motore al mozzo
Motore di taglio	Velocità	2800 giri/min
Batteria (robot)	Modello di batteria	MBPA30
	Tipo di batteria	Batteria al litio
	Capacità nominale	7500 mAh
	Tensione nominale	Max 36 V
Alimentazione elettrica	Modello di caricabatterie	MPAA30
	Tensione d'ingresso	100~240 V CA
	Tensione di uscita	42 V
	Corrente di uscita	5 A
Stazione di ricarica	Modello di stazione di ricarica	MCA20
	Tensione d'ingresso	42 V
	Tensione di uscita	42 V
	Corrente di ingresso	5 A
	Corrente di uscita	5 A

Standard	Banda	Uplink (MHz)	Downlink (MHz)	Potenza di uscita RF max	GNSS	Banda di frequenza		
LTE	1	1920 - 1980	2110 - 2170	23 ± 2	GPS/GLO-NASS/BDS/ Galileo/ QZSS	1559 - 1592 MHz		
	3	1710 - 1785	1805 - 1880	23 ± 2				
	7	2500 - 2570	2620 - 2690	23 ± 2				
	8	880 - 915	925 - 960	23 ± 2				
	20	832 - 862	791 - 821	23 ± 2				
	28	703 - 748	758 - 803	23 ± 2				
	38	2570 - 2620	2570 - 2620	23 ± 2				
	40	2300 - 2400	2300 - 2400	23 ± 2				
GSM	3	1710 - 1785	1805 - 1880	30 ± 2	GPS/GLO-NASS/BDS/ Galileo/ QZSS	1559 - 1592 MHz		
	8	880 - 915	925 - 960	23 ± 2				
WCDMA	1	1920 - 1980	2110 - 2170	23 ± 2			GPS/GLO-NASS/BDS/ Galileo/ QZSS	1559 - 1592 MHz
	8	880 - 915	925 - 960	23 ± 2				

[2] Il tempo di ricarica si applica quando il robot torna in automatico alla stazione di ricarica a causa di batteria scarica.

[3] Paesi/regioni coperti: Albania, Andorra, Austria, Belgio, Bosnia-Erzegovina, Bulgaria, Croazia, Cipro, Repubblica Ceca, Danimarca, Estonia, Finlandia, Francia, Germania, Grecia, Guernsey, Ungheria, Islanda, Irlanda, Italia, Kosovo, Lettonia, Liechtenstein, Lituania, Lussemburgo, Macedonia, Malta, Moldavia, Monaco, Montenegro, Paesi Bassi, Norvegia, Polonia, Portogallo, Romania, Serbia, Slovacchia, Slovenia, Spagna, Svezia, Svizzera, Regno Unito, Ucraina.

Nota: le specifiche sono soggette a modifiche che riflettono le ottimizzazioni apportate continuamente ai nostri prodotti. Per le ultime informazioni, visita il nostro sito web su <https://global.dreametech.com>.