

- The word "dreame" is the abbreviation of Dreame Technology Co., Ltd. and its subsidiaries in China. It is the transliteration of the company's Chinese name "追觅", which means striving for excellence in every endeavor and reflects the company's vision of continuous pursuit, exploration and search in technology.
- Das Wort "dreame" ist die Abkürzung von Dreame Technology Co., Ltd. und seinen Tochterunternehmen in China. Es ist die Transliteration des chinesischen Namens "追觅" dieser Firma, was für das Streben nach Vollendung steht und die Vision des Unternehmens widerspiegelt, nämlich im Bereich der Technologie unaufhaltsam weiterzustreben, zu erforschen und entdecken.
- Dreame est l'abréviation de l'entreprise chinoise Dreame Technology Co., Ltd. et ses filiales, qui est la traduction phonétique du nom chinois de l'entreprise « 追觅 », reflétant la vision de l'entreprise qui consiste à poursuivre, explorer et rechercher constamment les avancées technologiques.
- La parola "dreame" è l'abbreviazione dell'azienda Dreame Technology Co., Ltd. e delle sue filiali in Cina. È la traslitterazione del nome cinese dell'azienda "追觅", che dimostra la continua ricerca, esplorazione e visione di ricerca dell'azienda nella tecnologia.
- La palabra "dreame" es la abreviatura de Dreame Technology Co., Ltd. y sus subsidiarias en China. Es la transliteración del nombre chino de "追觅", que significa luchar por la excelencia en cada esfuerzo y refleja la visión de la compañía de continuamente buscar, explorar e investigar en tecnologías.
- Dreame — сокращённое название китайской компании Dreame Technology Co., Ltd. и ее дочерних предприятий. Dreame является транслитерацией названия компании на китайском языке « 追觅 », в котором отражено корпоративное видение компании в сфере науки и технологий — непрерывный поиск, исследования и стремление к успеху.
- Słowo "dreame" to skrót od Dreame Technology Co., Ltd. i spółek w Chinach. Jest to transliteracja chińskiej nazwy firmy "追觅" co oznacza dążenie do doskonałości w każdym przedsięwzięciu, odzwierciedlając wizję firmy, jaką jest ciągłe prowadzenie, odkrywanie i poszukiwania w nauce i technologii.
- A plavara "dreame" é a abreviatura da Dreame Technology Co., Ltd. também é a tradução do seu nome chinês "追觅", o que significa buscar a excelência em todos os empreendimentos e reflète a visão da empresa de busca, exploração e criação da tecnologia.
- Dreame, Dreame Technology Co., Ltd. ve Çinli kurulu un yan kurulu lar n n k saltmas d r ve irketin teknolojide süreklî takip, ara t rma ve ara t rma vizyonunu yans tan irketin Çince ad "追觅" nin çevirisidir.

Manufactured by: Dreame Trading (Tianjin) Co., Ltd.
For more information, please visit www.dreame-technology.com



Made in China

VPD1-EU-A01

Dreame P10

**Cordless Stick Vacuum
User Manual**

THANK YOU

FOR PURCHASING THIS DREAME VACUUM CLEANER.

Registration Quick Start

Welcome to register a Dreame account by scanning the QR code.

You are available for the User Manual and Special Offers.



With it you are obtaining a high quality product that is engineered for optimal performance. If you have any questions on the product, please contact us: aftersales@dreame.tech.

EN	User Manual	1
DE	Benutzerhandbuch	20
FR	Manuel d'utilisation	39
IT	Manuale utente	58
ES	Manual de usuario	77
RU	Руководство пользователя	96
PL	Instrukcja obsługi	117
PT	Manual do utilizador	136
TR	Kullan m K lavuzu	155

Safety Instructions

To prevent accidents including electric shock or fire caused by improper use, please read this manual carefully before use and retain it for future reference.

Warning

- This product can be used by children aged from 8 years and above and persons with physical, sensory, intellectual deficiencies, or limited experience or knowledge under the supervision of a parent or guardian to ensure safe operation and to avoid any risk of hazards. Cleaning and maintenance shall not be made by children without supervision.
- The vacuum is not a toy. Children shall not play with or operate this product. Please exercise caution when using the vacuum near children. Do not allow children to clean or maintain the vacuum unless supervised by a parent or guardian.
- Do not use the vacuum outdoors or on wet surfaces. Only use the vacuum on dry indoor surfaces. Do not touch the plug or any part of the vacuum with wet hands.
- To reduce the risk of fire, explosion, or injury, check to make sure the lithium battery and charging adapter are undamaged before use. Do not use the vacuum if either the lithium battery or charger is damaged.
- The soft roller brush bar, battery, metal connector pin, and vacuum are electrically conductive and should not be immersed in water or other liquid. Make sure to dry all filters after cleaning.
- Prevent injury caused by moving parts. Turn off the vacuum before cleaning the soft roller brush bar. The soft roller brush bar, dust bin and filter must all be properly installed before using the vacuum.
- Only use the original charging adapter. Never use an unoriginal adapter, as this may cause the lithium battery to catch fire.
- Do not use the vacuum to pick up flammable or combustible liquids, such as gasoline, or bleach, ammonia, drain cleaners or other liquids.
- Do not use the vacuum to pick up sharp or hard objects, such as glass, nails, screws, or coins, which may damage the machine. Do not use the vacuum to pick up drywall particles, ashes like fireplace ash, or smoking or burning materials such as coal, cigarette butts or matches.
- Check the area to be cleaned before use. To prevent the openings from being blocked, clear the larger paper, spitball, plastic cloth or sharp objects (such as glass, nails, screws, coins, etc.) and any object which is larger than openings.
- Keep hair, loose clothing, fingers and other parts of the body away from the vacuum's openings and moving parts. Do not point the hose, wand or tools at your eyes or ears or put them in your mouth.
- Do not put any object into the vacuum's openings. Do not use the vacuum with any opening blocked. Keep free of dust, lint, hair, or other items which may reduce airflow.
- Do not rest the vacuum against a chair, table, or other unstable surface, as this may cause damage to the machine or personal injury. If the vacuum becomes damaged from being knocked over or is otherwise malfunctioning, please contact our authorized service department. Never attempt to disassemble the device on your own.

- All instructions in the manual for recharging the battery must be strictly followed. Failure to properly charge the battery within the specified temperature range could damage the battery.
- Please be extra careful when using the vacuum to clean stairs.
- Make sure the vacuum is unplugged when not used for extended periods as well as prior to performing any maintenance or repairs.
- Do not install, charge, or use this product outdoors, in bathrooms, or around a pool.
- Fire Hazard Warning: Do not apply any type of fragrance to the vacuum's filter. These types of products are known to contain flammable chemicals which may cause the vacuum to catch fire.
- This product is designed for home use only.
- Only use the original charger (Model YLS0251B-E300080). Failing to do so may cause the lithium-ion battery to catch fire.
- Do not use and store in extremely hot or cold environments (below 0°C /32° F or above 40°C /104° F). Please charge the cordless vacuum in temperature above 0°C /32° F and below 40°C /104° F.
- Only use the approved battery type (Model P2013A-7S1P-SCA). Failing to do so may cause the lithium-ion battery to catch fire.

We, Dreame Trading (Tianjin) Co., Ltd., hereby, declares that this equipment is in compliance with the applicable Directives and European Norms, and amendments. The full text of the EU declaration of conformity is available at the following internet address: www.dreame-technology.com

For detailed e-manual, please go to <https://www.dreame-technology.com/pages/user-manuals-and-faqs>

Product Overview

Accessories List



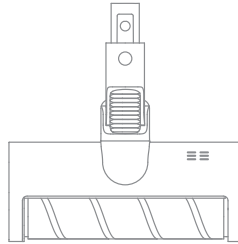
Extension Rod



2-in-1 Crevice Nozzle



Power Adapter



Soft Roller Brush Bar



Wall Mount
(Including screws ×2,
wall plugs ×2)

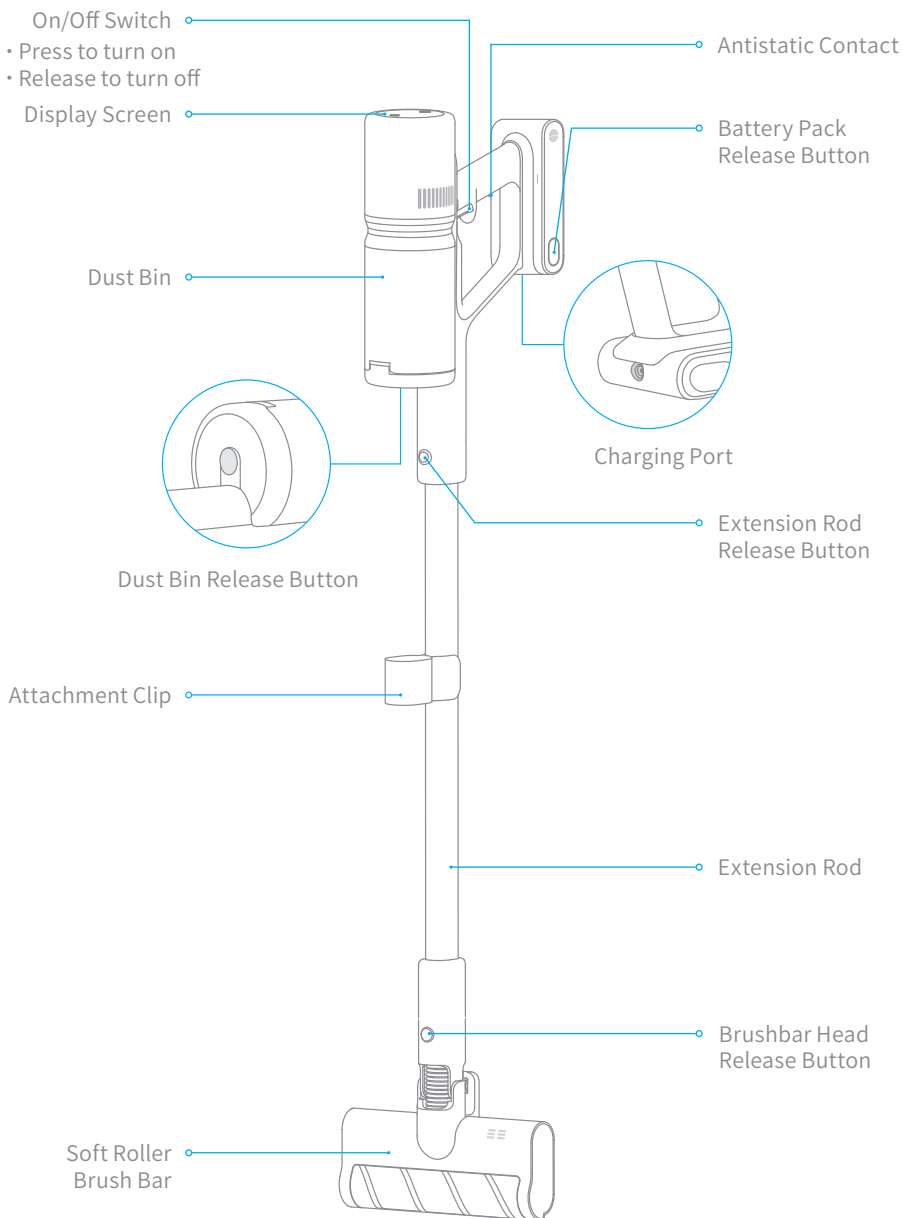


Attachment Clip

Note: The illustrations in this manual are indicative only. The actual product may differ.

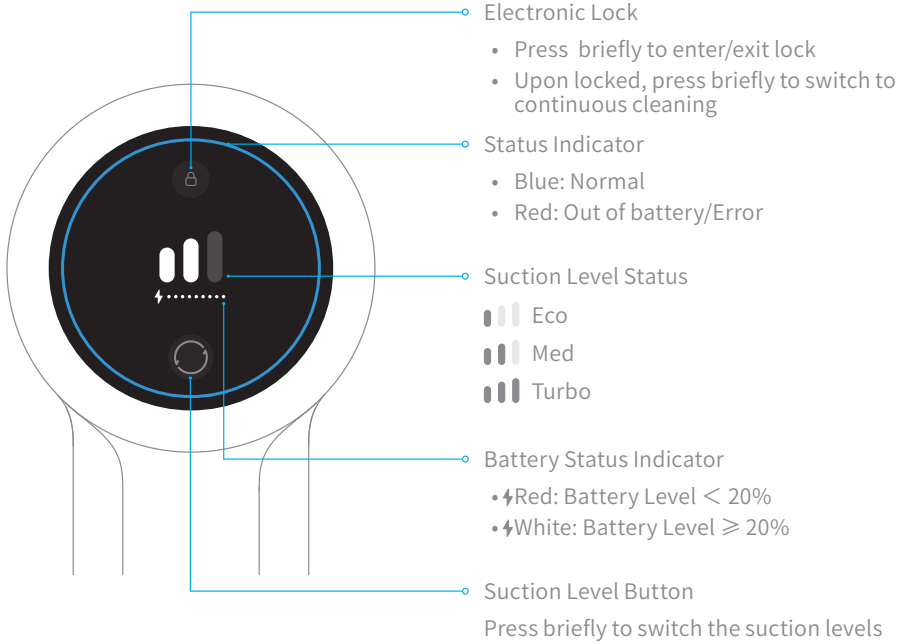
Product Overview

Component Names



Product Overview

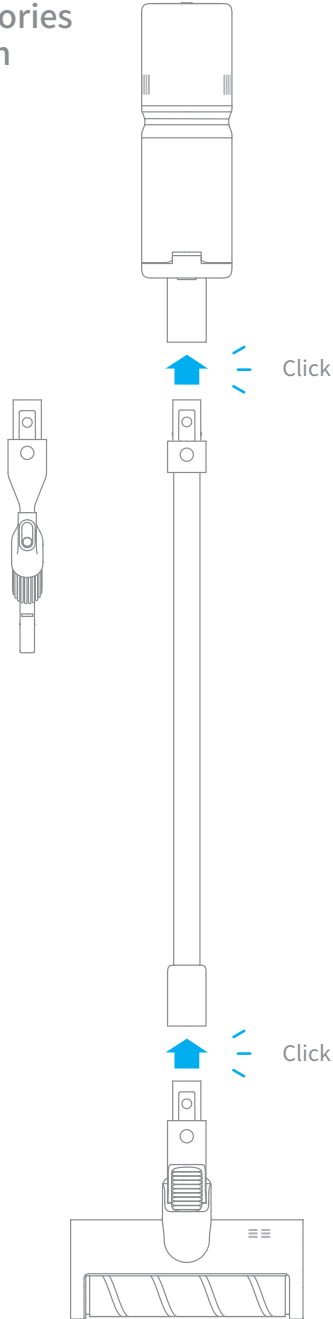
Display Screen



Note: If the vacuum is not working properly, the screen display will produce an error message. Please refer to the troubleshooting section to find your solution.

Installation

Vacuum and Accessories Installation Diagram

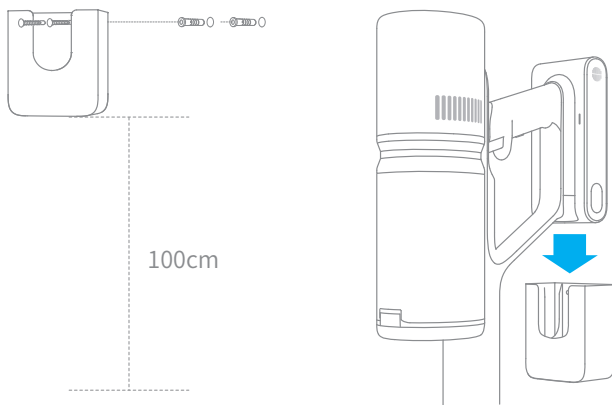


Installation

Wall Mount Installation Diagram

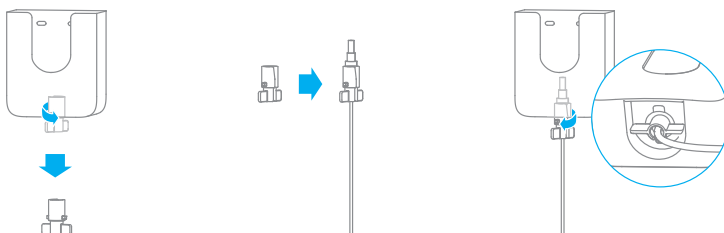
The mount should be installed in a cool, dry place near a power outlet. Make sure the installation area is clear of any pipes such as gas or water lines, and air ducts, electric wires and cables, or drainage lines.

1. Before installation, measure the wall in the height of 100cm above the ground.
2. Mark and drill two 8mm diameter holes into the wall with an electric drill. Insert the wall plugs into the holes.
3. Align the position holes on the mount with the holes on the wall. Fasten it to the wall with the included screws.



Connecting the Charging Adapter to the Wall Mount

1. Rotate the clip in the bottom of wall mount 90 degrees counterclockwise to remove it from the mount.
2. Insert the charging adapter cord into the notch on the clip.
3. Rotate the clip 90 degrees clockwise until it clicks into place.

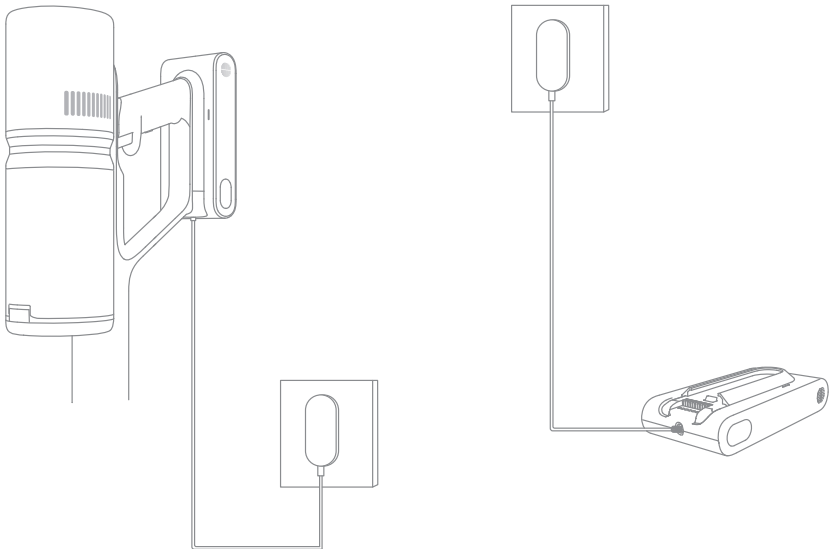


Charging

Charging Methods

Note:

- The vacuum cannot be used while charging.
- Fully charge the vacuum before using it for the first time. This will take about 2.5 hours.
- Vacuuming at Turbo mode for a prolonged period will cause the battery to heat up, which increases charging time. Allow the vacuum to cool down for 30 minutes before charging it.



Display Screen

Battery Status Indicator

- ⚡ Red: Battery Level < 20%
- ⚡ White: Battery Level \geq 20%

Battery Indicator

The battery indicators flash and then turn bright constantly in sequence depending on the battery condition.

Note: The screen will turn off if there is no operation for more than 30 seconds.

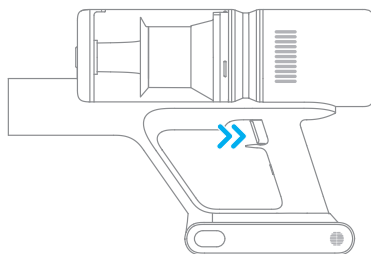


Working Methods



Select from two working methods for the vacuum, based on your needs.

Method 1: Discontinuous Cleaning Mode

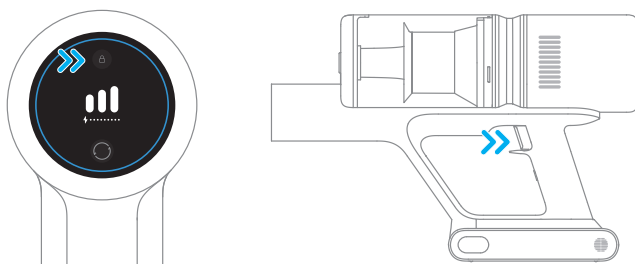
Press and hold the on/off switch to power it on, and release it to stop immediately.



Method 2: Continuous Cleaning Mode (Electronic Lock)

Click the  button to switch to Continuous Cleaning Mode and the  button is on. Then release the on/off switch to make the vacuum in Continuous Cleaning Mode.

Use the electronic lock to free your fingers and avoid finger fatigue caused by holding the switch.

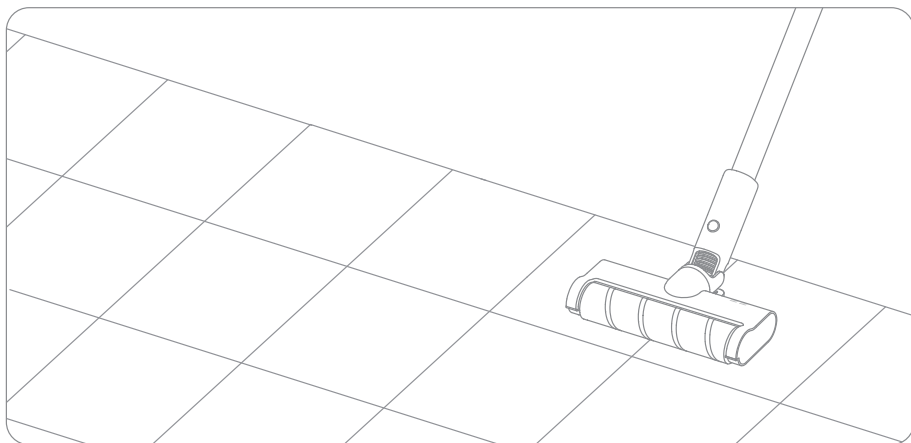


Notes:

- In this mode, briefly press the switch to suspend the operation or start again, and the working mode of the vacuum will not change.
- Click the electronic lock again to quit the Continuous Cleaning Mode.

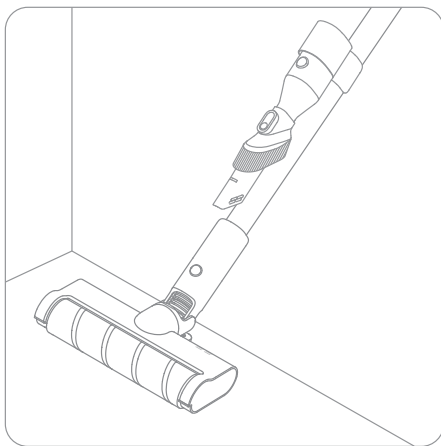
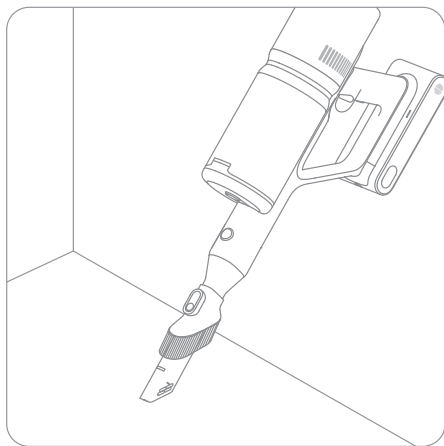
Using Different Accessories

Soft Roller Brush Bar: Suitable for vacuuming wood, tile, marble, and other hard floor surfaces as well as for vacuuming up larger pieces of dirt and debris.



2-in-1 Crevice Nozzle: Suitable for vacuuming cracks, corners of doors and windows, stairs, and other hard-to-reach places.

Attachment Clip: The 2-in-1 crevice nozzle can be stored in the attachment clip as shown when not in use.



Note:

- If any rotating part becomes stuck, the vacuum may shut off automatically. Remove any trapped foreign objects, then resume use.
- When the battery becomes overheated, the vacuum will automatically shut off. Wait until the battery temperature returns to normal, then resume use.

Tips:

1. Always use genuine parts to keep your warranty from being void.
2. If the vacuum is not used for an extended period, fully charge it, unplug its charger, and store it in a cool, low-humidity environment away from direct sunlight. To avoid over-discharging the battery, recharge the vacuum at least once every three months.

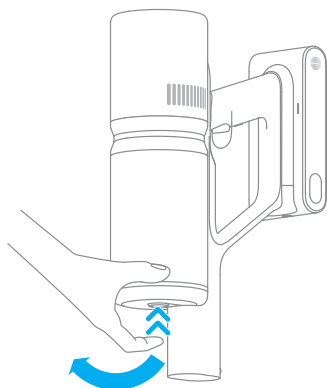
Cleaning the Vacuum

Wipe the vacuum with a soft dry cloth.

Cleaning the Dust Bin & Pre-Filter

Before cleaning the dust bin, disconnect the adapter and keep the vacuum's power switch in the off position.

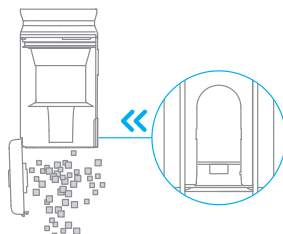
1. Press the dust bin release button and hold the dust bin to remove from the vacuum in the direction of the arrow.



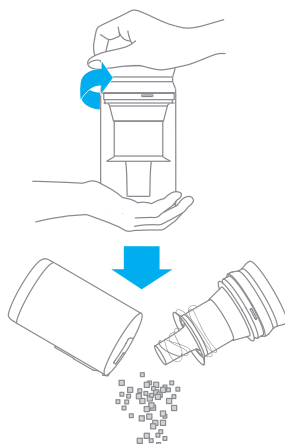
2. Empty the bin.

Note: It is recommended to clean the dust bin after use.

Method 1: Press the release button on the bottom of the bin.

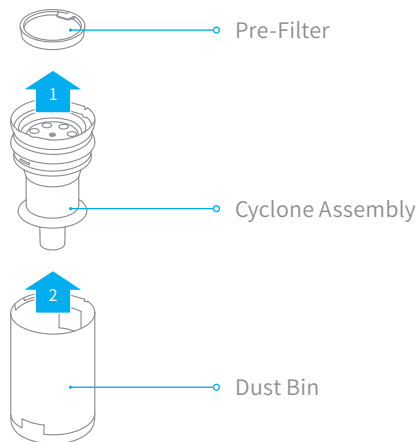


Method 2: Hold the upper cover of dust bin, then remove the cyclone assembly.

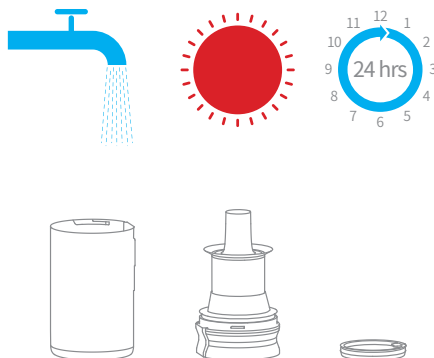


Care & Maintenance

3. Remove the pre-filter. Rotate the cyclone assembly slightly to remove from the dust bin.



4. Rinse the cyclone assembly, pre-filter, and dust bin until they are clean. After washing, air dry for at least 24 hours.



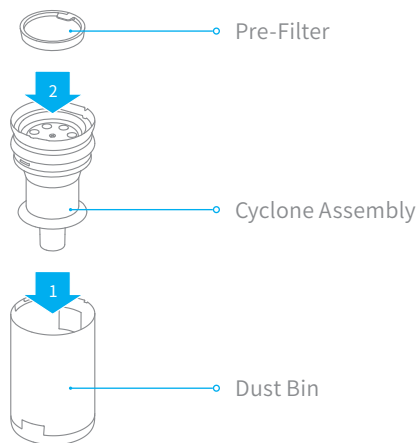
Note:

- It is recommended to clean the dust bin once every month.
- It is recommended to clean the cyclone system and pre-filter at least once every 3 to 4 months.

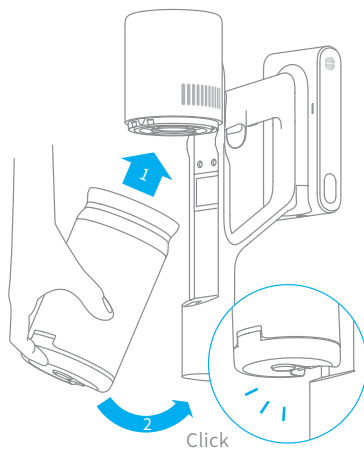
Installing Dust Bin Assembly

1. Install the cyclone assembly and pre-filter into the dust bin.

Note: Make sure all filters are completely dry before re-installing.



2. Align the slots on the dust bin with the notches on the vacuum. Pull down the dust bin until you hear a click.

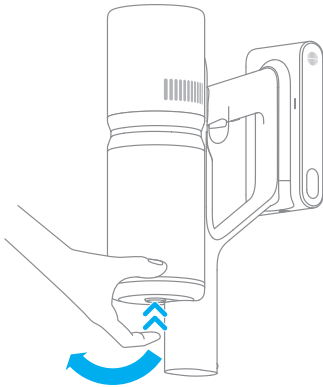


Care & Maintenance

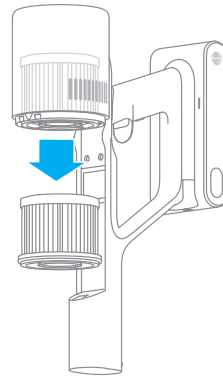
Cleaning the Filter

It is recommended to clean the filter once every 4 to 6 months.

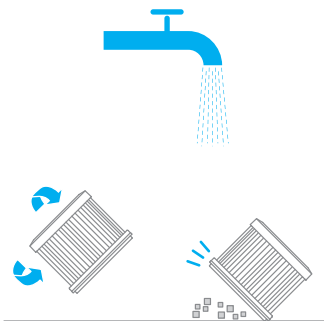
1. Remove the dust cup as shown in the figure.



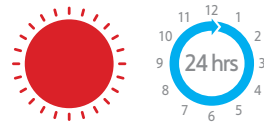
2. Remove the filter from the vacuum by pulling it down in the direction shown in the figure.



3. Clean the filter with clean water. Make sure you rotate the filter 360° to thoroughly and remove all dust caught in the filter. Lightly tap the filter several times to remove any excess dirt.



4. Allow the filter to air dry for 24 hours.

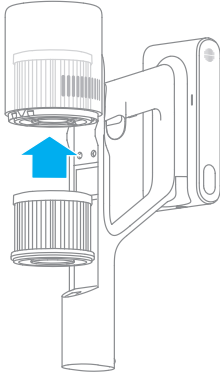


Note:

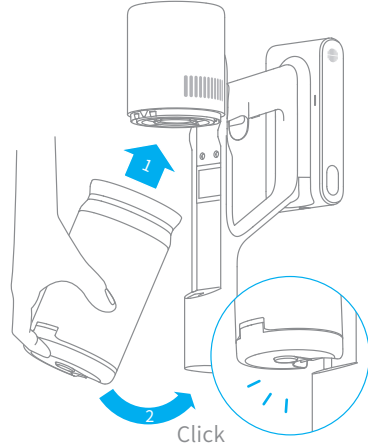
- Only use clean water to wash the filter. Do not use detergent.
- Do not attempt to clean the filter with a brush or finger.

Installing the Filter

1. Insert the filter into the vacuum and gently press down, as illustrated.



2. Reinstall the dust bin.

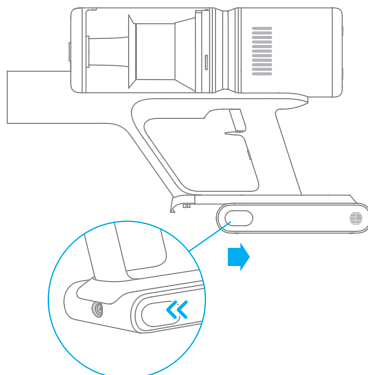


Battery Pack

The vacuum contains a removable rechargeable lithium-ion battery pack which has a limited number of recharge cycles. After extended use, the battery pack may no longer hold a charge. If this happens, it means the battery pack has reached the end of its life cycle and needs to be replaced.

1. Press down the battery pack release button and slide the battery pack to the right, as illustrated, to remove it.

2. Install the new battery pack.



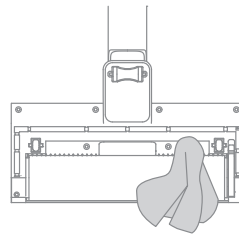
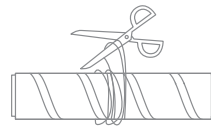
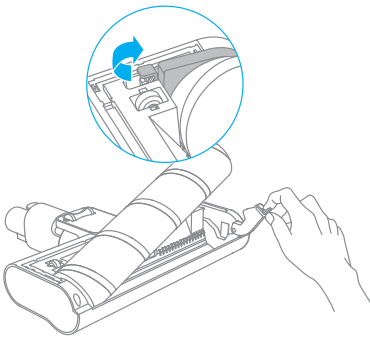
Care & Maintenance

Cleaning the Soft Roller Brush Bar

1. Push the brushbar head release button in the direction of the arrow until the cover of the brushbar head pops to open, then remove the brushbar head by lifting it in the direction indicated.

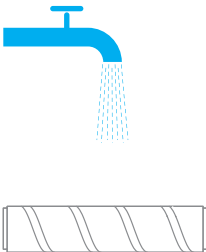
2. Use scissor to cut off the hairs and fibers that stick on the roller brush. Wipe the dust from the notch and transparent cover with a dry cloth or paper towel.

Note: Use small tools to pry the clip away.



3. Remove the pre-filter. Rotate the cyclone assembly slightly to remove from the dust bin.

4. Rinse the cyclone assembly, pre-filter, and dust bin until they are clean. After washing, air dry for at least 24 hours.



Specifications

Vacuum Cleaner			
Model	VPD1	Charging Voltage	30 V ---
Rated Power	350 W	Rated Voltage	25.2 V ---
Charging Time	Approx. 2.5 hours	Nominal Capacity	2000 mAh
Soft Roller Brush Bar			
Model	AVB11		
Rated Power	40 W		
Rated Voltage	25,2 V ---		
Power Adapter			
Model	YLS0251B-E300080	Input	100-240 V~50/60 Hz 0.8 A Max
Output	30 V --- 800 mA	Average Active Efficiency	88.53 %
Efficiency at Low Load (10%)	78.66 %	No-load Power Consumption	0.09 W
Rechargeable Lithium-Ion Battery Pack			
Model	P2013A-7S1P-SCA	Nominal Capacity	2000 mAh
Nominal Voltage	25.2 V ---	Energy	45.36 Wh





The lithium-ion battery pack contains substances that are hazardous to the environment. Before disposing of the vacuum, please first remove the battery pack, then discard, or recycle it in accordance with local laws and regulations of the country or region it is used in.

If the vacuum is not working properly, please refer to the table below.

Errors	Possible Causes	Solutions
Vacuum does not work.	Vacuum is out of battery or low on power.	Fully charge the vacuum, then resume use.
	Overheat protection mode triggered by a blockage.	Clean the suction openings or air duct. Wait until the vacuum cools down, then reactivate it.
	Suction opening or airway passage is blocked.	Clear any blockage from suction opening or air duct.
Weak suction force.	Dust bin is full and/or filter assembly is clogged.	Empty the dust bin and clean the filter assembly.
	Attachment is blocked.	Clear any blockages in the attachment.
Motor makes a strange noise.	Main suction opening or extension rod is blocked.	Clear any blockage in the main suction opening or extension rod.
The battery indicator does not light up when charging.	The charger does not plug into the vacuum well.	Check whether the charger is properly plugged into the vacuum.
	The battery is charged and switches to Sleep Mode automatically.	The vacuum runs normally.
	If the problem persists after ruling out the above two possibilities.	Please contact the after-sales service department for maintenance.
Charging too slow	Battery temperature is too low or too high.	Wait until the battery's temperature returns normal, then resume use.

Troubleshooting

If the vacuum is not working properly, the screen display will show an error message. Please refer to the troubleshooting table to find your solution.

Error Icon	Possible Causes	Solutions
	Clean the brush	Refer to the maintenance guide [Cleaning the Soft Roller Brush Bar] section to clean the fiber material and hairs wrapped around the roller brush.
	Air duct blocked	Check whether the dust bin, extension rod, and soft roller brush bar are blocked.
	Error	Please contact our after-sales service department for maintenance.
	Overheating	Please wait and continue to use after battery temperature is normal.

WEEE Information



All products bearing this symbol are waste electrical and electronic equipment (WEEE as in directive 2012/19/EU) which should not be mixed with unsorted household waste. Instead, you should protect human health and the environment by handing over your waste equipment to a designated collection point for the recycling of waste electrical and electronic equipment, appointed by the government or local authorities. Correct disposal and recycling will help prevent potential negative consequences to the environment and human health. Please contact the installer or local authorities for more information about the location as well as terms and conditions of such collection points.

Sicherheitshinweise

Um zu vermeiden, dass es durch unsachgemäße Benutzung zu Stromschlägen oder Bränden kommt, sollten Sie dieses Handbuch vor der Benutzung sorgfältig durchlesen und es aufbewahren, um künftig nachschlagen zu können.

Warnung

- Dieses Produkt kann von Kindern im Alter ab acht Jahren und von Personen mit physischen, sensorischen und intellektuellen Einschränkungen oder begrenzter Erfahrung oder Wissen benutzt werden, dies muss jedoch unter Aufsicht von Eltern oder einer Aufsichtsperson erfolgen, um einen sicheren Betrieb zu gewährleisten und Gefahren auszuschließen. Eine Wartung und Reinigung durch Kinder darf nur unter Aufsicht erfolgen.
- Der Staubsauger ist kein Spielzeug. Kinder dürfen mit dem Produkt nicht spielen oder es benutzen. Seien Sie bei der Benutzung des Staubsaugers in der Nähe von Kindern bitte vorsichtig. Gestatten Sie es Kindern keinesfalls, den Staubsauger zu reinigen oder zu warten, außer unter Aufsicht eines Elternteils oder Vormunds.
- Der Staubsauger darf nicht im Freien oder auf nassen Oberflächen benutzt werden. Der Staubsauger darf nicht mit nassen Händen berührt werden.
- Um das Risiko von Bränden, Explosionen und Verletzungen zu mindern, prüfen Sie vor der Benutzung bitte den Lithium-Akku und das Ladegerät auf Beschädigungen. Der Staubsauger darf nicht benutzt werden, wenn der Lithium-Akku oder das Ladegerät beschädigt ist.
- Die Weiche Bürstenrolle, der Akku, der Metall-Verbindungstift und der Staubsauger können Strom leiten und sollten nicht in Wasser oder andere Flüssigkeiten getaucht werden. Bitte achten Sie darauf, dass alle Filter nach der Reinigung getrocknet werden.
- Um Verletzungen durch bewegliche Teile zu vermeiden, müssen Sie den Staubsauger vor der Reinigung der Weiche Bürstenrolle. Vor der Benutzung des Staubsaugers müssen Weiche Bürstenrolle, der Staubbehälter und der Filter korrekt installiert werden.
- Benutzen Sie ausschließlich das Original-Ladegerät. Die Benutzung eines nicht originalen Ladegerätes kann zu einer Entzündung des Lithium-Akkus führen.
- Der Staubsauger darf nicht benutzt werden, um brennbare oder entzündliche Flüssigkeiten wie Benzin, Bleiche, Ammoniak, Abflussreiniger oder andere Flüssigkeiten aufzusaugen.
- Der Staubsauger darf nicht benutzt werden, um Gipspartikel, Asche (z. B. Kaminasche) oder Rauch- oder Brennmaterialien wie Kohle, Zigarettenstummel oder Streichhölzer aufzusaugen.
- Der Staubsauger darf nicht benutzt werden, um scharfe oder harte Objekte wie Glas, Nägel, Schrauben oder Münzen aufzusaugen, da dies zu Schäden am Gerät führen kann.
- Halten Sie Haare, lose Kleidung, Finger und andere Körperteile von den Öffnungen des Staubsaugers und den beweglichen Teilen fern. Der Schlauch, das Rohr und das Werkzeug dürfen nicht auf Augen oder Ohren gerichtet werden oder in den Mund genommen werden.
- Stecken Sie keine Gegenstände in die Öffnungen des Staubsaugers. Der Staubsauger darf nicht genutzt werden, wenn eine Öffnung blockiert ist. Er muss frei von Staub, Flusen, Haaren und anderen Gegenständen gehalten werden, die den Luftstrom behindern könnten. nicht genutzt werden, wenn eine Öffnung blockiert ist. Er muss frei von Staub,

Flusen, Haaren und anderen Gegenständen gehalten werden, die den Luftstrom behindern könnten.

- Lehnen Sie den Staubsauger nicht gegen Stühle, Tische oder andere instabile Flächen, da dies zu Schäden am Gerät oder Verletzungen führen kann. Falls der Staubsauger durch Umkippen beschädigt wird oder sonst defekt ist, wenden Sie sich bitte an unsere autorisierte Serviceabteilung. Versuchen Sie nie, das Gerät selbst zu zerlegen.
- Beim Aufladen des Akkus sind alle Anweisungen in dieser Anleitung strikt zu befolgen. Wenn bei der Aufladung des Akkus der angegebene Temperaturbereich nicht eingehalten wird, kann der Akku beschädigt werden.
- Stellen Sie sicher, dass der Staubsauger nicht mit dem Stromnetz verbunden ist, wenn Sie ihn über längere Zeit nicht benutzen. Der Staubsauger muss außerdem vom Stromnetz getrennt werden, bevor Wartungs- und Reparaturarbeiten erfolgen.
- Bitte seien Sie besonders vorsichtig, wenn Sie den Staubsauger zur Treppenreinigung verwenden.
- Dieses Produkt darf nicht im Freien, in Badezimmern oder in der Nähe eines Schwimmbekens benutzt, installiert oder geladen werden.
- Warnung vor Brandgefahr: auf den Filter dürfen keinesfalls Duftstoffe jeglicher Art aufgetragen werden. Diese Art von Produkten enthält häufig brennbare Chemikalien, die dazu führen könnten, dass das Gerät Feuer fängt.
- Das Produkt ist nur für den Heimgebrauch bestimmt.
- Verwenden Sie nur das Original-Ladegerät (Modell YLS0251B-E300080). Andernfalls kann es zu einer Entzündung des Lithium-Ionen-Akkus kommen.
- Verwenden und lagern Sie es nicht in extrem heißen oder kalten Umgebungen (unter 0°C / 32° F oder über 40°C / 104° F). Laden Sie bei einer Ladetemperatur von 0° C bis 40° C mit dem Original-Netzadapter.
- Verwenden Sie nur den zugelassenen Akkutyp (P2013A-7S1P-SCA). Andernfalls kann es zu einer Entzündung des Lithium-Ionen-Akkus kommen.

Wir, Dreame Trading (Tianjin) Co., Ltd., bestätigen hiermit, dass dieses Gerät mit geltenden Verordnungen und europäischen Normen sowie etwaigen Ergänzungen in Einklang steht. Der vollständige Wortlaut der EU-Konformitätserklärung ist unter der folgenden Internetadresse abrufbar: www.dreame-technology.com

Ein detailliertes elektronisches Handbuch finden Sie unter <https://www.dreame-technology.com/pages/user-manuals-and-faqs>

Zubehör



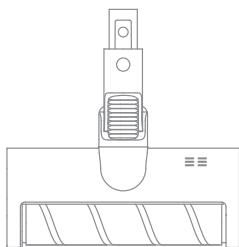
Verlängerungsstab



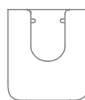
2-in-1 Spaltdüse



Netzteil



Weiche Bürstenrolle



Wandbefestigungsdose
(einschließlich 2 x Schrauben, 2 x Dübel)

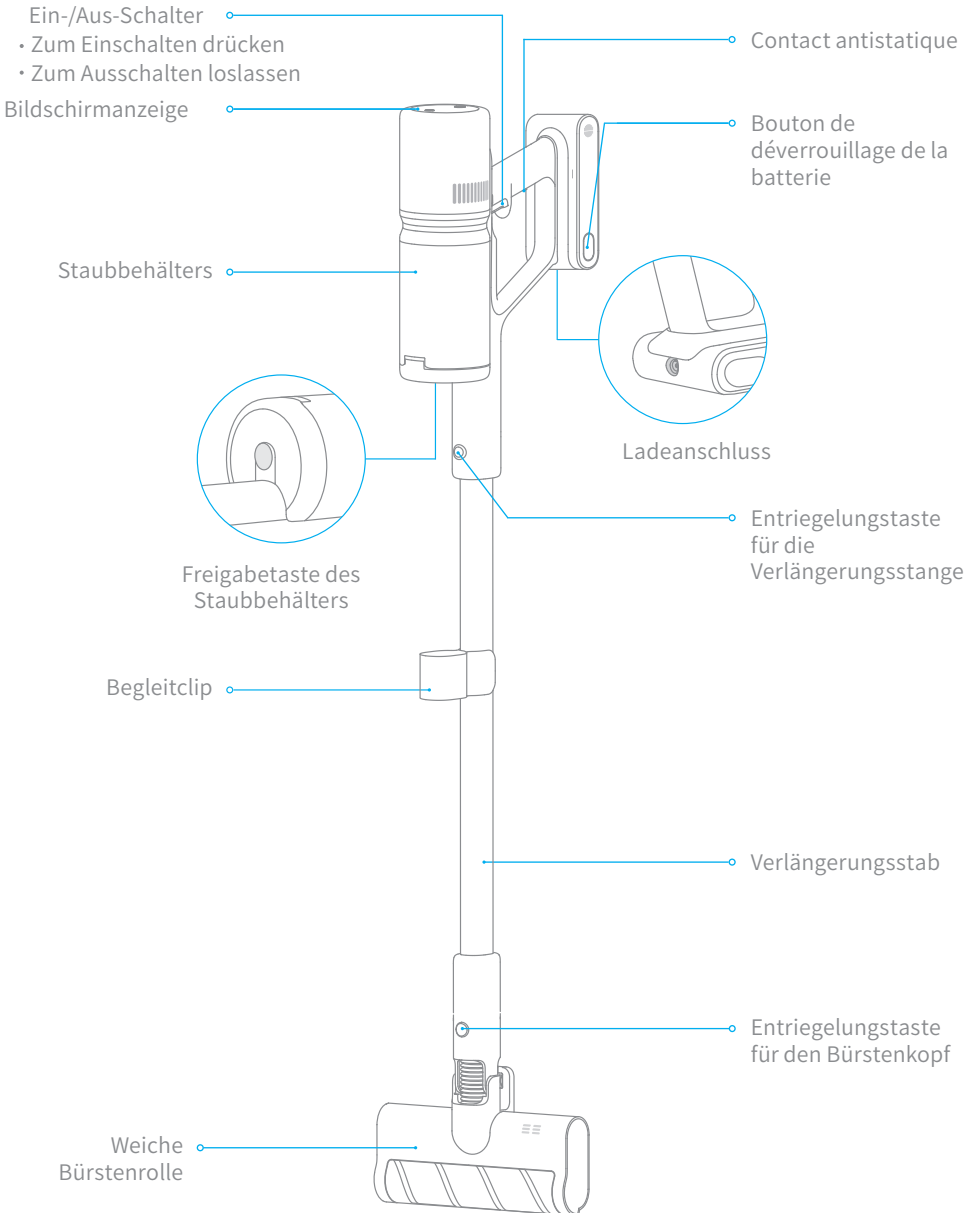


Begleitclip

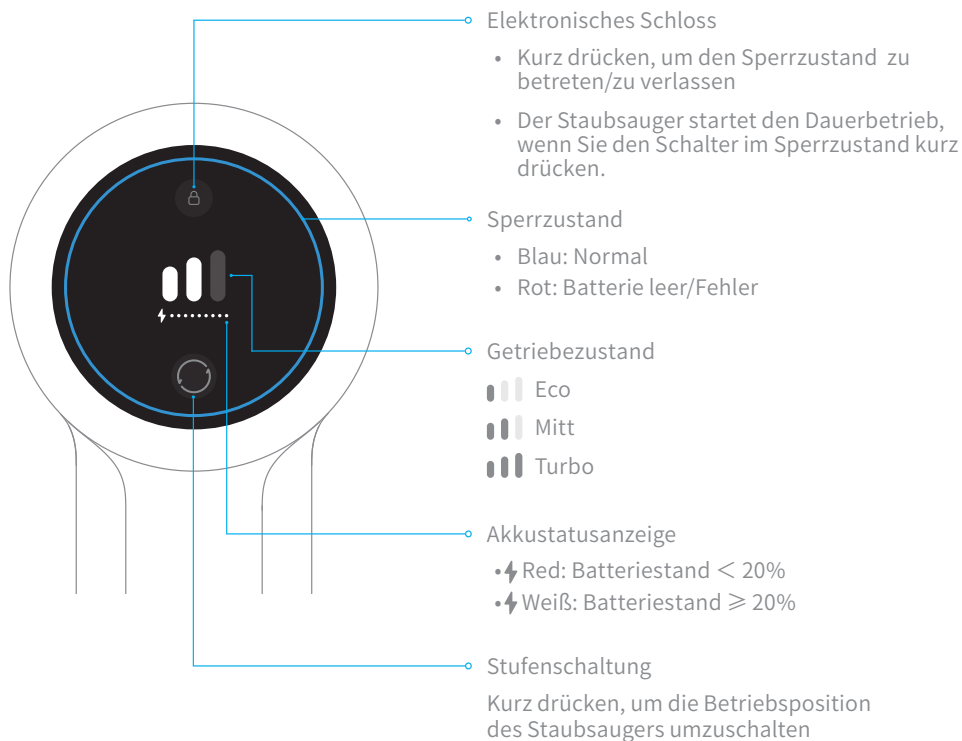
Hinweis: Die Abbildungen in diesem Handbuch dienen nur als Referenz, bitte beziehen Sie sich auf das tatsächliche Aussehen.

Produktüberblick

Teilebezeichnung



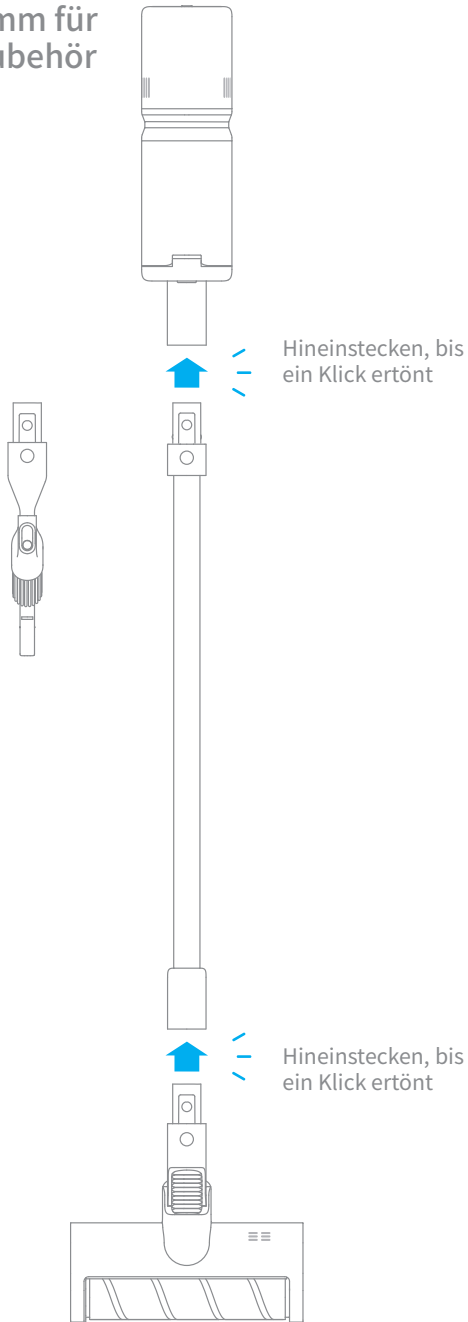
Bildschirmanzeige



Hinweis: Wenn irgendein Fehler bei der Verwendung des Produkts auftritt, wird der Bildschirm eine Fehlermeldung ausgeben. Sie sollten den Anweisungen auf dem Bildschirm folgen, um die normale Leistung sicherzustellen.

Installation

Installationsdiagramm für Staubsauger und Zubehör

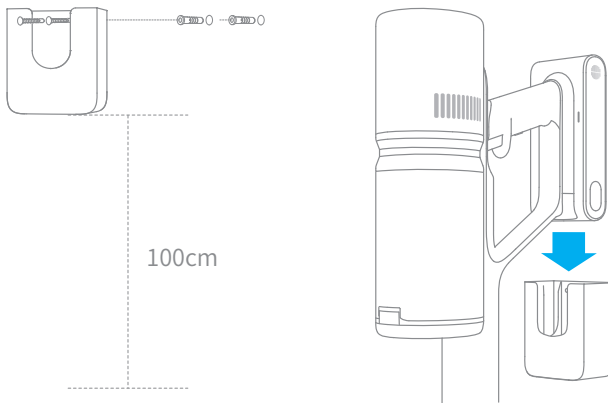


Installation

Installation der Wandbefestigungsdose

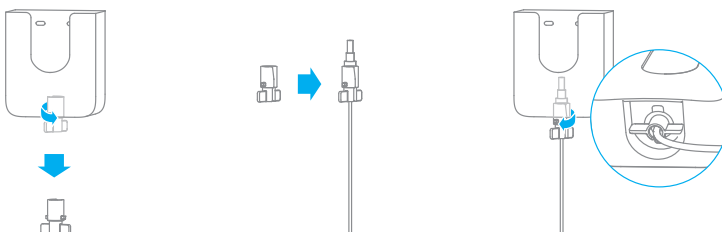
Die Wandbefestigungsdose sollte an einem kühlen, trockenen Ort mit einer Stromquelle in der Nähe angebracht werden, wobei darauf zu achten ist, dass sich direkt hinter dem Installationsbereich keine Drähte oder Rohre oder andere Einrichtungen befinden.

1. Wenn Sie die Wandbefestigungsdose installieren, messen Sie bitte zuerst den Höhenabstand von 100 cm vom Boden.
2. Bohren Sie das Loch mit einem 8-mm-Bohrmeißel-Elektrowerkzeug und setzen Sie das Expansionsrohr in das Loch.
3. Richten Sie die Montagelöcher für die Wandbefestigungsdose mit den Bohrlöchern in der Wand aus und befestigen Sie sie mit Schrauben an der Wand.



Anschlussmethode für Adapter-Steckdosenende und Wandbefestigungsdose

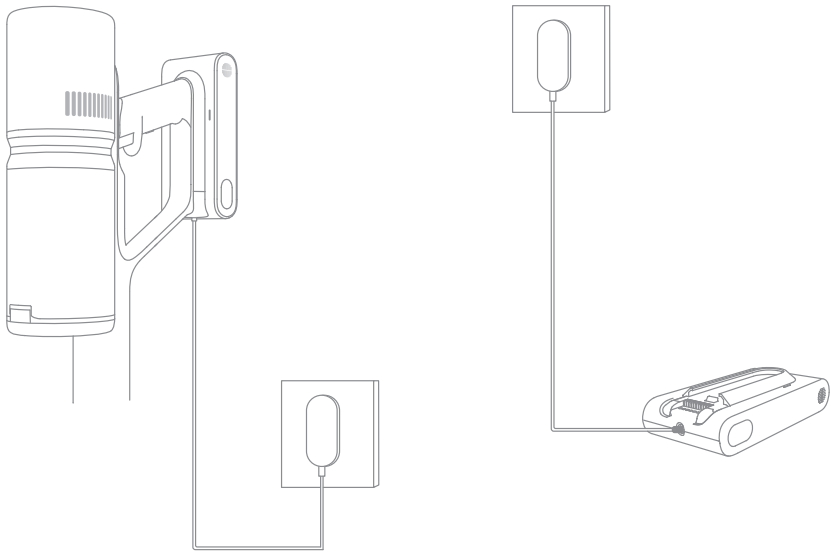
1. Drehen Sie den abnehmbaren Clip an der Unterseite der Befestigungsdose um 90° gegen den Uhrzeigersinn, um ihn zu entfernen.
2. Schnappen Sie das Netzkabel des Adapters durch das gerillte Ende des Clips ein.
3. Drehen Sie um 90° im Uhrzeigersinn, um den Clip zu verriegeln.



Lademodi

Hinweis:

- Der Staubsauger kann während des Ladens nicht benutzt werden.
- Laden Sie den Staubsauger vor dem ersten Einsatz bitte vollständig auf. Das nimmt etwa 2,5 Stunden in Anspruch.
- Wenn Sie über längere Zeit im Turbomodus Staub saugen, kann dies zur Erhitzung des Akkus führen, was eine längere Ladezeit zur Folge hat. Lassen Sie daher den Staubsauger vor dem Aufladen 30 Minuten abkühlen.



Bildschirmanzeige

Akkustatusanzeige

- ⚡ Red: Batteriestand $< 20\%$
- ⚡ Weiß: Batteriestand $\geq 20\%$

Batterieanzeige

Die Akkuanzeigen und leuchten dann je nach Zustand des Akkus nacheinander konstant hell.

Hinweis: Der Bildschirm schaltet sich aus, wenn mehr als 30 Sekunden lang kein Betrieb stattfindet.

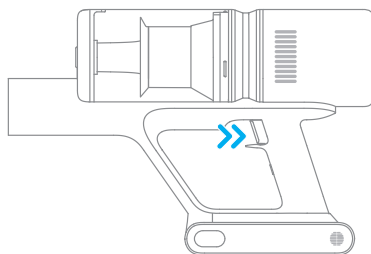


Reinigungsmodus

Es gibt zwei Betriebsarten für den Staubsauger, die nach Ihren eigenen Bedürfnissen ausgewählt werden können.

Modus 1: Diskontinuierlicher Reinigungsmodus

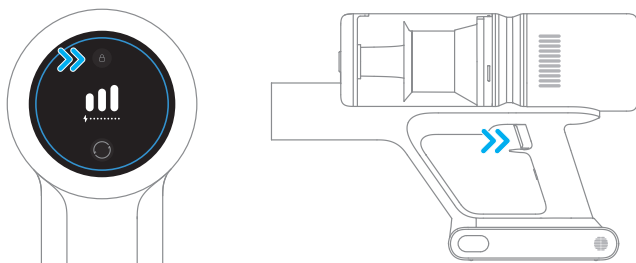
Halten Sie den Schalter des Staubsaugers gedrückt, um den Betrieb aufzunehmen, und lassen Sie ihn los, um sofort zu stoppen.



Modus 2: Kontinuierliche Reinigungsmodus (elektronische Sperre)

Klicken Sie auf die Δ -Taste, um in den Dauerreinigungsmodus zu wechseln, und die Δ -Taste ist eingeschaltet. Lassen Sie dann den Ein/Aus-Schalter los, um das Vakuum in den Dauerreinigungsmodus zu versetzen.

Verwenden Sie die elektronische Sperre, um Ihre Finger zu entlasten und einer Ermüdung Ihrer Finger durch das Gedrückthalten des Schalters zu vermeiden.

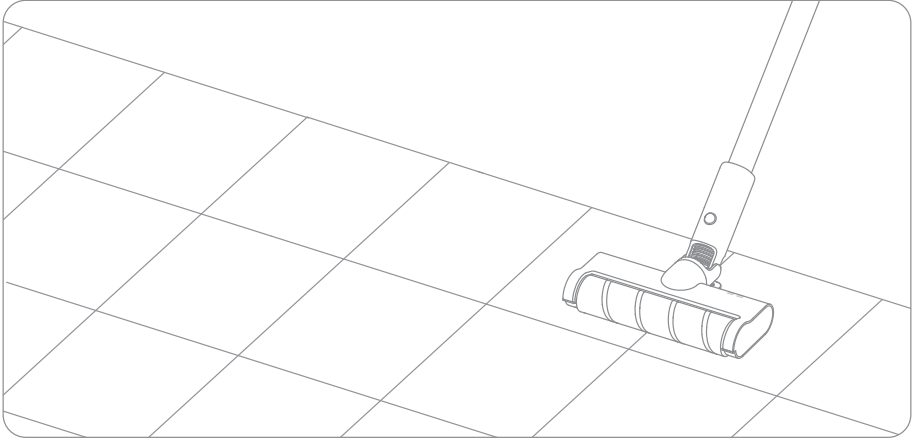


Hinweis:

- Drücken Sie in diesem Modus kurz den Schalter, um den Betrieb auszusetzen oder erneut zu starten. Der Arbeitsmodus des Staubsaugers ändert sich nicht.
- Klicken Sie erneut auf das elektronische Schloss, um den kontinuierlichen Reinigungsmodus zu beenden.

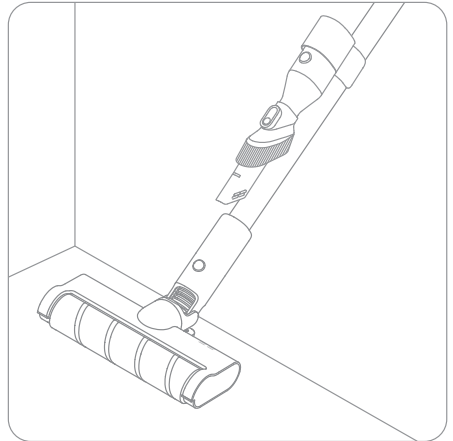
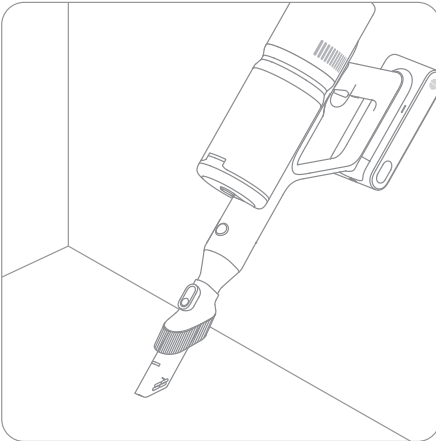
Benutzung verschiedener Zubehörteile

Weiche Bürstenrolle: Geeignet für das Saugen von harten Oberflächen wie Fußböden, Fliesen, Marmor und zum Aufsaugen von größeren Schmutzpartikeln. Die weiche Bürstenrolle kann auch direkt mit dem Staubsauger verbunden werden.



2-in-1 Spaltendüse: Geeignet für das Saugen in Spalten, in Ecken von Türen und Fenstern, auf Treppen und an anderen schwer zugänglichen Stellen.

Begleitclip: Die 2-in-1-Fugendüse kann bei Nichtgebrauch wie abgebildet im Begleitclip aufbewahrt werden.



Hinweis:

- Wenn ein rotierendes Teil stecken bleibt, kann es passieren, dass der Staubsauger sich automatisch abschaltet. Entfernen Sie dann etwaige eingeklemmte Fremdkörper und setzen Sie die Benutzung fort.
- Wenn des Akkus sich überhitzt, wird der Staubsauger automatisch ausgeschaltet. Bitte warten Sie, bis sich die Temperatur des Akkus normalisiert hat, und setzen Sie erst dann die Benutzung fort.

Pflege und Wartung

Tipps:

1. Verwenden Sie stets Originalteile, um ein Erlöschen der Garantie zu vermeiden.
2. Falls Sie den Staubsauger für längere Zeit nicht nutzen wollen, ziehen Sie das Stromkabel aus der Steckdose und bewahren Sie das Gerät an einem kühlen, trockenen Ort ohne direkte Sonneneinstrahlung auf. Um eine Tiefentladung des Akkus zu vermeiden, sollte der Staubsauger mindestens alle drei Monate geladen werden.

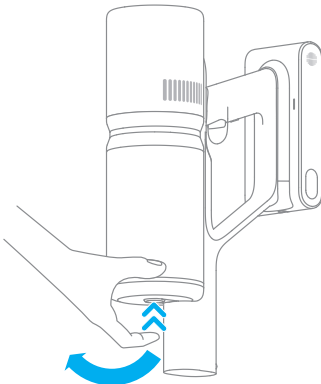
Reinigen des Staubsaugers

Reinigen Sie den Staubsauger mit einem weichen trockenen Tuch.

Reinigung des Staubbehälters und des Vorfilters

Bevor Sie den Staubbehälter reinigen, müssen Sie ihn vom Ladegerät trennen und den Schalter des Staubsaugers auf „Aus“ schalten.

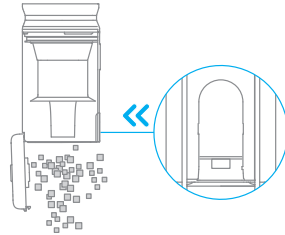
1. Drücken Sie die Freigabetaste des Staubbehälters und kippen Sie den Staubbehälter in der Hand in die gezeigte Richtung, um sich von der Haupteinheit zu lösen.



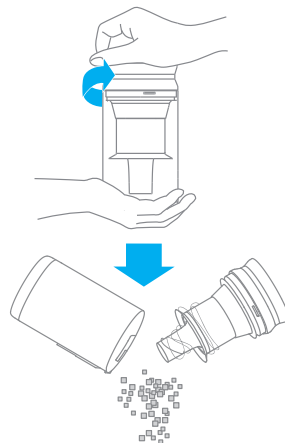
2. Sie den Staub in den Staubbehälter.

Hinweis: Es wird empfohlen, nach jeder Benutzung zu reinigen.

Methode 1: Drücken Sie den Auslöseknopf an der Unterseite des Behälters.

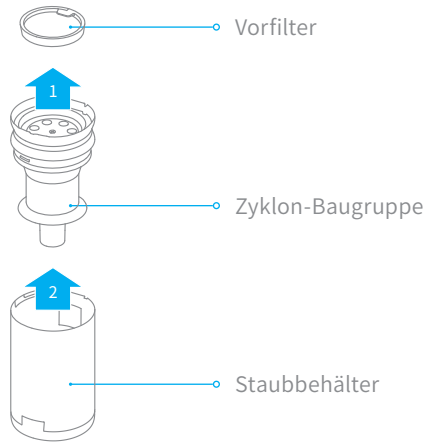


Methode 2: Halten Sie die obere Abdeckung des Staubbehälters fest und entfernen Sie dann die Zyklonbaugruppe.

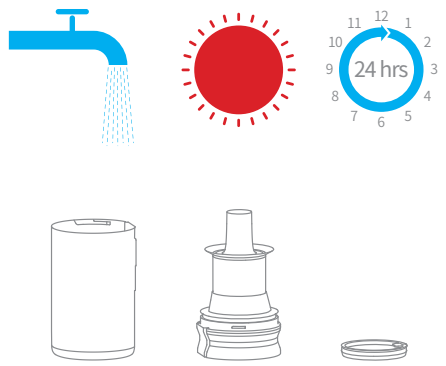


Pflege und Wartung

3. Entfernen Sie den Vorfilter. Drehen Sie die Zyklonbaugruppe leicht, um sie aus dem Staubbehälter zu entfernen.



4. Spülen Sie den Vorfilter, die Zyklon-Baugruppe und den Staubbehälter mit Wasser, bis sie sauber sind, und legen Sie dann alle Komponenten mindestens 24 Stunden lang zum gründlichen Trocknen beiseite.



Hinweis:

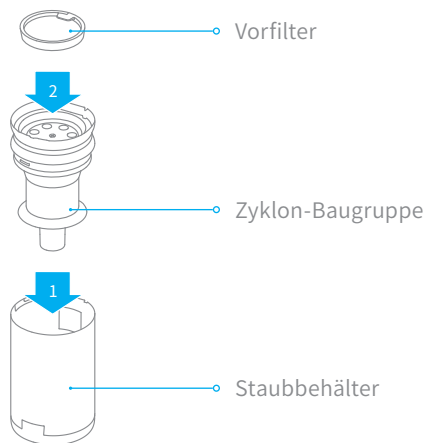
- Es wird empfohlen, die Staubbehälter mindestens einmal im Monat zu reinigen.
- Es wird empfohlen, das Zyklonsystem und den Vorfilter mindestens einmal alle 3 bis 4 Monate zu reinigen.

Pflege und Wartung

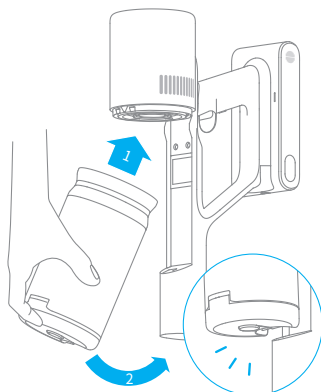
Installation von Staubbehälter-Baugruppe

Hinweis: Stellen Sie sicher, dass alle Filter vor der Installation gut getrocknet sind.

1. Bauen Sie die Zyklonbaugruppe und den Vorfilter in den Staubbehälter ein.



2. Schnappen Sie den Randschlitz des Staubbehälter mit der Begrenzungsglasche von Haupteinheit zusammen, drücken Sie den Staubbehälter leicht unter Haupteinheit und hören Sie das "Klicken", um anzuzeigen, dass die Installation erfolgreich ist.

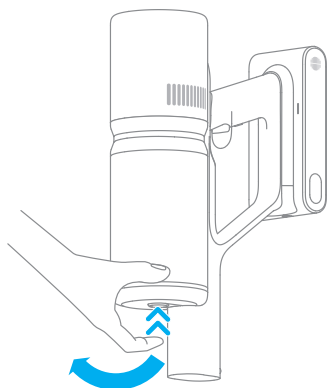


Hineinstecken, bis ein Klick ertönt

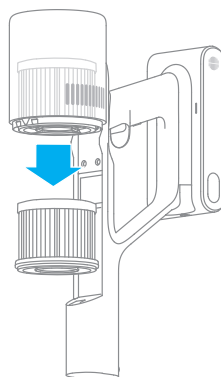
Reinigung des Filter

Der Filter sollte alle 4 bis 6 Monate ausgewechselt werden.

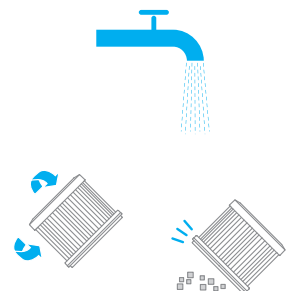
1. Entfernen Sie den Staubbehälter wie in der Abbildung dargestellt.



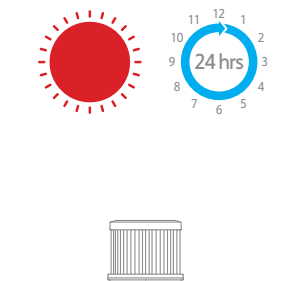
2. Entfernen Sie den Filter aus dem Staubsauger, indem Sie ihn in die in der Abbildung gezeigten Richtung nach unten ziehen.



3. Reinigen Sie den Filter mit sauberem Wasser. Achten Sie darauf, dass Sie den Filter um 360° drehen, um den gesamten im Filter aufgefangenen Staub gründlich zu entfernen. Klopfen Sie mehrmals leicht auf den Filter, um vorhanden Schmutz zu entfernen.



4. Lassen Sie den Filter mindestens 24 Stunden lang gründlich trocknen.



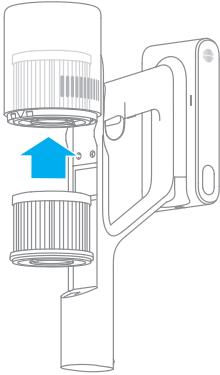
Hinweis:

- Säubern Sie den Filter ausschließlich mit sauberem Wasser. Verwenden Sie keine Reinigungsmittel.
- Versuchen Sie nicht, den Filter mit einer Bürste oder einem Finger zu reinigen.

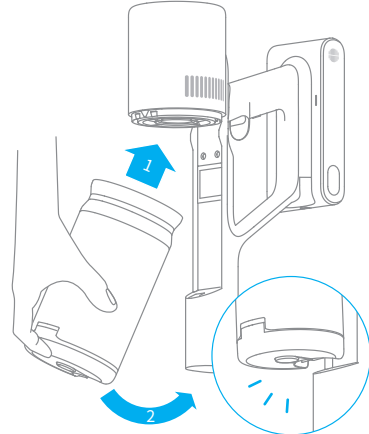
Pflege und Wartung

Installation des Filters

1. Setzen Sie den Filter in den Staubsauger ein und drücken Sie ihn vorsichtig nach unten, wie in der Abbildung gezeigt.



2. Installation des Staubbehälters.



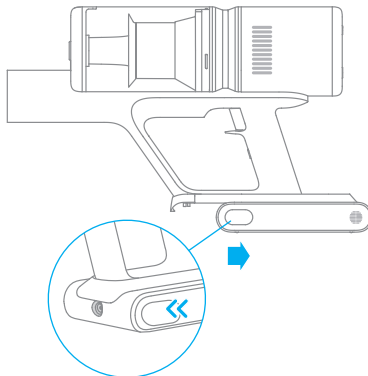
Hineinstecken, bis ein Klick ertönt

Akku

Der Staubsauger enthält einen herausnehmbaren, wiederaufladbaren Lithium-Ionen-Akku, der eine begrenzte Anzahl von Ladezyklen hat. Nach längerem Gebrauch kann es geschehen, dass der Akku keine Ladung mehr hält. Wenn dies geschieht, bedeutet dies, dass der Akku das Ende seiner Lebensdauer erreicht hat und ersetzt werden muss.

1. Drücken Sie den Entriegelungsknopf des Akkus nach unten und schieben Sie den Akku, wie in der Abbildung gezeigt, nach rechts, um ihn zu entfernen.

2. Installation des neuen Akkus.

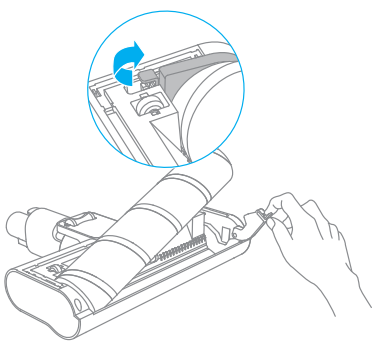


Pflege und Wartung

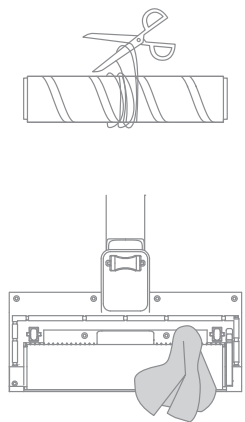
Reinigung der weichen Bürstenrolle

1. Schieben Sie den Freigabeschalter der Bürstenrolle in die Pfeilrichtung bis sich die Abdeckung der Bürstenrolle öffnet. Entfernen Sie anschließend den Bürstenkopf, indem Sie ihn in die angegebene Richtung heben.

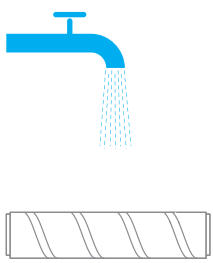
Hinweis: Verwenden Sie kleine Werkzeuge, um den Clip weg zu hebeln.



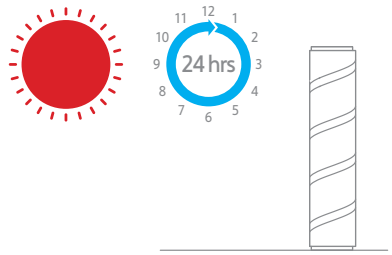
2. Verwenden Sie eine Schere zum Abschneiden der Haare und Fasern, die sich am Bürstenkopf angesammelt haben. Wischen Sie den Staub mit einem trockenen Tuch oder einem Papiertuch von der Kerbe und der transparenten Abdeckung.



3. Falls sie verschmutzt ist, spülen Sie den Bürstenkopf mit sauberem Wasser ab, bis er sauber ist.



4. Stellen Sie den Bürstenkopf für mindestens 24 Stunden aufrecht hin, bis er vollständig trocken ist.



Staubsauger			
Modell	VPD1	Ladespannung	30 V ===
Puissance nominale	350 W	Nennspannung	25,2 V ===
Ladedauer	Ca. 2,5 Stunden	Nennkapazität	2000 mAh
Weiche Bürstenrolle			
Modell	AVB11		
Puissance nominale	40 W		
Nennspannung	25,2 V ===		
Netzteil			
Modell	YLS0251B-E300080	Entrée nominale	100-240 V~50/60 Hz 0,8 A Max
Sortie nominale	30 V ===800 mA	Durchschnittliche aktive Effizienz	88,53 %
Effizienz bei geringer Last (10%)	78,66 %	Stromverbrauch im lastfreien Zustand	0,09 W
Wiederaufladbarer Lithium-Ionen-Akku			
Modell	P2013A-7S1P-SCA	Nennleistung	2000 mAh
Nennspannung	25,2 V ===	Energie	45,36 Wh





Der Lithium-Ionen-Akku enthält umweltgefährdende Stoffe. Bevor der Staubsauger entsorgt wird, muss zunächst der Akku entfernt werden, anschließend muss in Übereinstimmung mit den lokalen Gesetzen und Vorschriften des Landes oder der Region, in dem er benutzt wurde, eine Entsorgung oder Wiederverwertung stattfinden.

Falls der Staubsauger nicht korrekt funktionieren sollte, beachten Sie bitte die folgende Tabelle, um eine Problemlösung zu finden.

Fehler	Mögliche Ursachen	Lösungen
Staubsauger funktioniert nicht	Der Akku des Staubsaugers ist leer oder fast leer.	Laden Sie den Staubsauger vollständig auf und versuchen Sie es erneut.
	Durch eine Blockade wurde der Überhitzungsschutz ausgelöst.	Warten Sie, bis der Staubsauger abgekühlt ist und versuchen Sie es dann erneut.
	Saugöffnung oder Luftöffnung sind blockiert.	Befreien Sie die Ansaugöffnung oder den Strömungsweg von etwaigen Hindernissen.
Schwache Saugleistung	Das Staubfach ist voll und/oder die Filtereinheit ist verstopft.	Leeren Sie das Staubfach und reinigen Sie die Filtereinheit.
	Das Zubehörteil ist blockiert.	Entfernen Sie Blockaden vom Zubehörteil.
Der Motor gibt ein merkwürdiges Geräusch ab	Die Hauptaugöffnung oder das Verlängerungsrohr sind verstopft.	Entfernen Sie Verstopfungen aus der Hauptaugöffnung oder dem Verlängerungsrohr.
Die Akkuanzeige leuchtet während des Ladevorgangs nicht auf	Das Ladegerät ist nicht mit dem Staubsauger verbunden.	Vergewissern Sie sich, dass das Ladegerät korrekt angeschlossen ist.
	Der Akku ist vollständig geladen und ist in den Energiesparmodus gewechselt.	Kann normal genutzt werden.
	Falls das Problem fortbesteht, nachdem Sie diese zwei Möglichkeiten ausgeschlossen haben.	Wenden Sie sich bitte zur Wartung an den Kundendienst.
Ladevorgang ist sehr langsam	Die Temperatur des Akkus ist zu hoch oder zu niedrig.	Warten Sie, bis die Akkutemperatur sich normalisiert hat und setzen Sie dann die Benutzung fort.

Fehleralarm

Wenn der Staubsauger nicht richtig funktioniert, erscheint ein Fehlercode auf dem Bildschirm. Die Problemlösungen finden Sie bitte der folgenden Tabelle.

Fehler-Symbol	Mögliche Ursachen	Lösungen
	Reinigen Sie die Bürste	Beziehen Sie sich auf den Abschnitt der Wartungsanleitung [Weiche Bürstendüse], um aufgewickelte Fasermaterialien und Haare von der Bürstendüse zu entfernen.
	Luftkanal blockiert	Prüfen, ob der Staubbehälter, die Verlängerungsstange oder die weiche Bürstendüse blockiert sind.
	Fehler	Bitte kontaktieren Sie unser Kundendienstpersonal zur Reparatur.
	Überhitzung	Bitte warten Sie eine gewisse Zeit und fahren Sie mit der Verwendung fort, nachdem die Motortemperatur wieder normal ist.

WEEE-Informationen



Alle mit diesem Symbol gekennzeichneten Produkte sind Elektroschrott und Elektrogeräte (WEEE entsprechend EU-Richtlinie 2012/19/EU) und dürfen nicht mit unsortiertem Haushaltsmüll vermischt werden. Schützen Sie stattdessen Ihre Mitmenschen und die Umwelt, indem Sie Ihre zu entsorgenden Geräte an eine dafür vorgesehene, von der Regierung oder einer lokalen Behörde eingerichtete Sammelstelle zum Recycling von Elektroschrott und Elektrogeräten bringen. Eine ordnungsgemäße Entsorgung und Recycling helfen, negative Auswirkungen auf die Gesundheit von Umwelt und Menschen zu vermeiden. Wenden Sie sich bitte an den Installateur oder lokale Behörden, um Informationen zum Standort und den allgemeinen Geschäftsbedingungen solcher Sammelstellen zu erhalten.

Veillez lire attentivement ce manuel avant toute utilisation et le conserver pour pouvoir le consulter ultérieurement afin d'éviter les accidents, notamment les chocs électriques ou les incendies causés par une mauvaise utilisation.

Avertissement

- Ce produit ne peut être utilisé par des enfants qu'à partir de 8 ans, et des personnes présentant des déficiences physiques, sensorielles ou intellectuelles, ou dont l'expérience et les connaissances sont limitées sous le contrôle d'un parent ou d'un tuteur pour assurer une utilisation sécurisée et éviter tout danger. Le nettoyage et l'entretien ne doivent pas être effectués par des enfants sans surveillance.
- L'aspirateur n'est pas un jouet. Les enfants ne doivent pas jouer avec ce produit ou l'utiliser. Soyez vigilant lorsque vous utilisez ce produit à proximité d'enfants. Les enfants ne sont pas autorisés à nettoyer ou à entretenir l'aspirateur sans la surveillance d'un parent ou d'un adulte.
- N'utilisez pas l'aspirateur à l'extérieur sur des surfaces mouillées. Utilisez-le uniquement sur des surfaces sèches à l'intérieur. Ne touchez pas la prise ou toute partie de l'aspirateur avec des mains mouillées.
- Vérifiez que la batterie au lithium et l'adaptateur de charge ne sont pas endommagés avant utilisation afin de réduire le risque d'incendie, d'explosion ou de blessure. N'utilisez pas l'aspirateur si l'un de ces éléments est endommagé.
- La brosse douce, la batterie, la broche du connecteur métallique et l'aspirateur sont conducteurs et ne doivent pas être immergés dans l'eau ou tout autre liquide. Veillez à sécher tous les filtres après nettoyage.
- Évitez les blessures causées par les pièces mobiles. Mettez l'aspirateur hors tension avant de nettoyer la brosse douce. La brosse douce, le compartiment à poussière et le filtre doivent être convenablement installés avant d'utiliser l'aspirateur.
- Utilisez uniquement l'adaptateur de charge d'origine. N'utilisez jamais d'adaptateur d'une autre marque, car la batterie au lithium pourrait prendre feu.
- N'utilisez pas l'aspirateur pour aspirer des liquides inflammables ou combustibles, comme de l'essence, ou de l'eau de javel, de l'ammoniac, des nettoyeurs pour canalisations ou tout autre liquide.
- N'utilisez pas l'aspirateur pour aspirer des particules de plâtre, des cendres ou des matériaux de combustion ou des substances fumigènes, tels que du charbon, des mégots de cigarette ou des allumettes.
- N'utilisez pas l'aspirateur pour aspirer des objets durs ou pointus, comme du verre, des clous, des vis ou des pièces de monnaie sous peine d'endommager l'appareil.
- Tenez vos cheveux, tout vêtement ample, vos doigts et toute autre partie du corps éloignés des orifices et des pièces amovibles de l'aspirateur. Ne dirigez pas le tuyau, le tube ou les accessoires vers vos yeux ou vos oreilles et ne les placez pas dans votre bouche.
- Ne placez aucun objet dans les orifices de l'aspirateur. N'utilisez pas l'aspirateur en cas d'obstruction d'un des orifices. Retirez la poussière, les peluches, les cheveux ou tout autre élément susceptible de réduire le flux d'air.

- Ne placez pas l'aspirateur contre une chaise, une table ou toute surface instable sous peine d'endommager l'appareil ou de vous blesser. Si l'aspirateur est endommagé ou fonctionne mal en raison d'une chute, contactez notre service après-vente agréé. Ne tentez jamais de démonter l'appareil vous-même.
- Toutes les instructions du manuel relatives à la recharge de la batterie doivent être suivies scrupuleusement. Vous pourriez endommager la batterie si vous ne la chargez pas dans la plage de températures spécifiée.
- Veillez à débrancher l'aspirateur lorsqu'il n'est pas utilisé pendant une période prolongée ou avant tout entretien ou toute réparation.
- Soyez extrêmement vigilant lorsque vous utilisez l'aspirateur pour nettoyer un escalier.
- Ce produit ne doit pas être installé, chargé ou utilisé à l'extérieur, dans une salle de bains ou autour d'une piscine.
- Avertissement sur le risque d'incendie : N'appliquez aucun parfum dans le filtre de l'aspirateur. L'appareil pourrait prendre feu, car ces types de produits sont connus pour contenir des produits chimiques inflammables.
- Ce produit est conçu pour une utilisation domestique uniquement.
- Utilisez uniquement le chargeur d'origine (modèle YLS0251B-E300080). Si cette consigne n'est pas respectée, la batterie lithium-ion risque de prendre feu.
- Ne pas l'utiliser ni le déposer dans des environnements extrêmement chauds ou froids (en dessous de 0°C /32° F ou au-dessus de 40°C /104° F). Chargez à une température entre 0° C et 40° C en utilisant l'adaptateur d'alimentation d'origine.
- Utilisez uniquement le type de batterie approuvé (modèle P2013A-7S1P-SCA). Si cette consigne n'est pas respectée, la batterie lithium-ion risque de prendre feu.

Par la présente, Dreame Trading (Tianjin) Co., Ltd., déclare que cet équipement est conforme aux directives et normes européennes applicables, ainsi qu'à leurs amendements. L'intégralité de la déclaration de conformité pour l'UE est disponible à l'adresse suivante: www.dreame-technology.com

Pour obtenir un manuel électronique détaillé, rendez-vous sur le site <https://www.dreame-technology.com/pages/user-manuals-and-faqs>

Présentation du produit

Accessoires



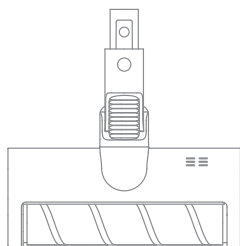
Tige de rallonge



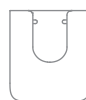
Suceur fente 2-en-1



Adaptateur secteur



Brosse douce



Boîtier à fixation murale
(2 vis, 2 prises murales incluses)

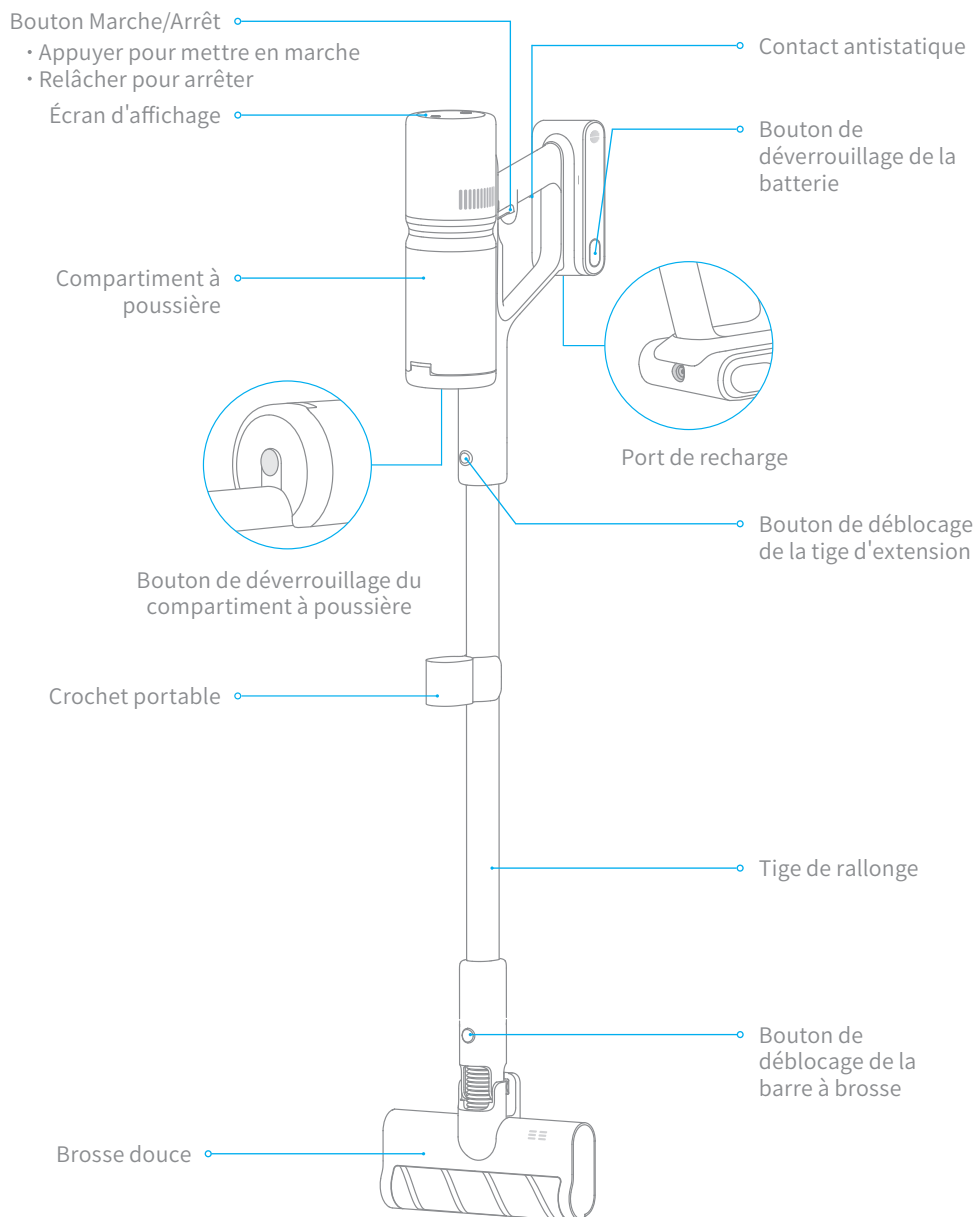


Crochet portable

Rappel : Photo non contractuelle, veuillez vous référer aux objets concrets.

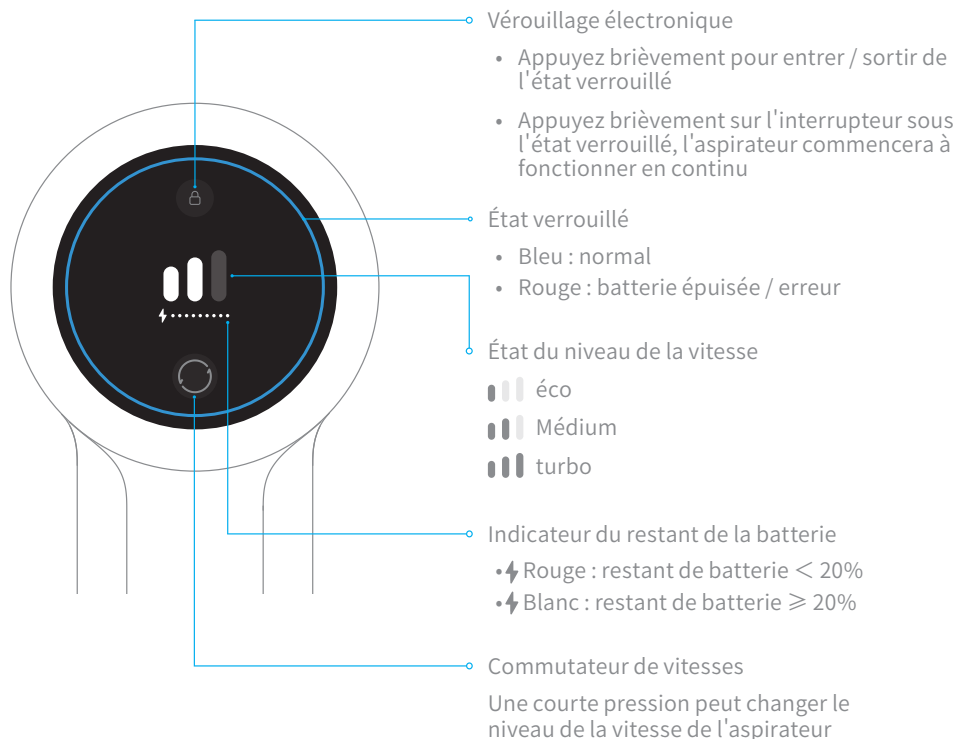
Présentation du produit

Nom des pièces



Présentation du produit

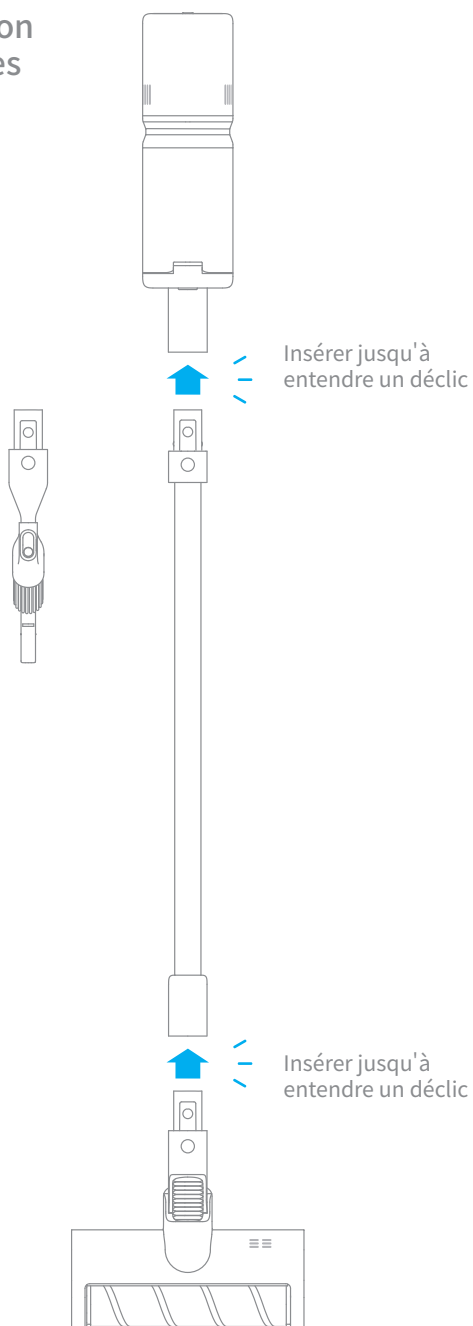
Écran d'affichage



Remarque : Si vous devez prêter attention à une anomalie quelconque pendant l'utilisation du produit, l'écran affichera un message d'avertissement. Vous devez suivre les instructions à l'écran pour que les performances restent normales.

Installation

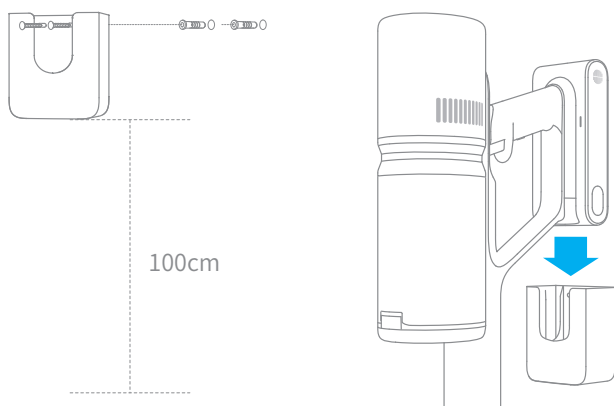
Schéma d'installation de l'aspirateur et des accessoires



Installation du boîtier à fixation murale

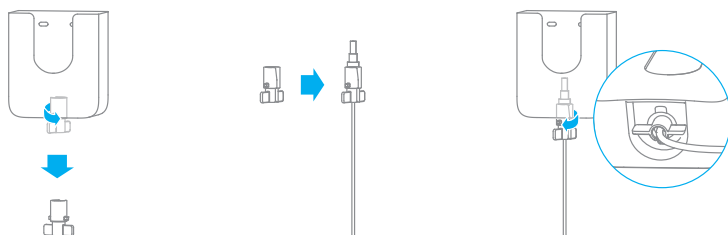
L'emplacement du boîtier à fixation murale doit être dans un endroit frais et sec avec une alimentation électrique à proximité, et assurez-vous qu'il n'y a pas d'installations telles que des fils ou des tuyaux justes derrière la zone d'installation.

1. Lors de l'installation du boîtier à fixation murale, mesurez d'abord une position à 100 cm au-dessus du sol.
2. Utilisez un outil électrique avec un foret de 8 mm pour faire un trou et placez le tube d'expansion dans le trou.
3. Alignez les trous de montage du boîtier à fixation murale avec les trous sur le mur et fixez-le au mur avec des vis.



La connexion entre l'extrémité de la douille de l'adaptateur et du boîtier à fixation murale

1. Faites pivoter la boucle mobile au-dessous du boîtier de 90° dans le sens antihoraire pour la retirer.
2. Insérez le cordon d'alimentation de l'adaptateur à partir de l'extrémité rainurée de la boucle.
3. Tournez de 90° dans le sens des aiguilles d'une montre pour verrouiller la boucle.

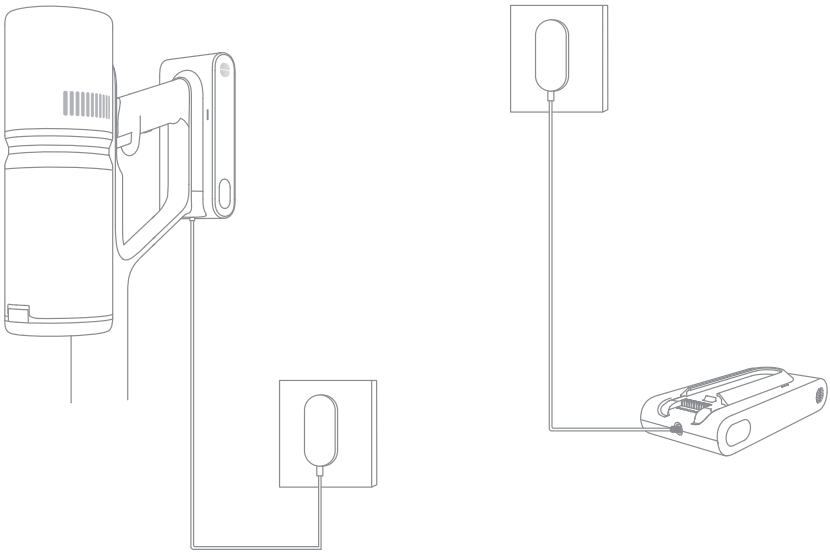


Recharge

Modes de charge

Remarque :

- L'aspirateur ne peut pas être utilisé pendant la charge.
- Chargez entièrement la batterie de l'aspirateur avant la première utilisation. Cette opération peut prendre environ 2,5 heures.
- L'aspiration en mode Turbo pendant une période prolongée peut entraîner la surchauffe de la batterie, ce qui augmente le temps de charge. Laissez l'aspirateur refroidir pendant 30 minutes avant de le charger.



Écran d'affichage

Indicateur du restant de la batterie

- ⚡ Rouge : restant de batterie < 20%
- ⚡ Blanc : restant de batterie \geq 20%

Indicateur de batterie

Les indicateurs de la batterie clignotent puis s'allument constamment en séquence en fonction de l'état de la batterie.

Remarque : L'écran s'éteint si aucune opération n'est effectuée pendant plus de 30 secondes.

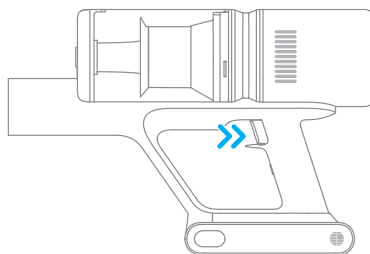


Mode de nettoyage



Il existe deux modes de fonctionnement pour l'aspirateur, qui peuvent être sélectionnés en fonction de vos propres besoins.

Mode 1 : Mode de nettoyage discontinu

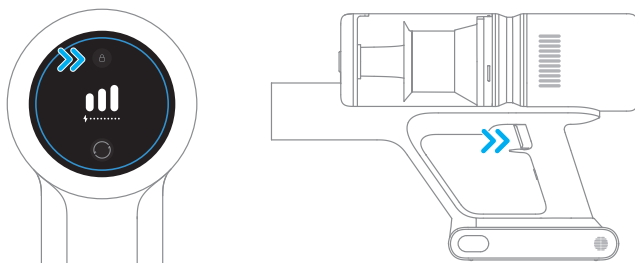
Dans ce mode, appuyez brièvement sur l'interrupteur pour suspendre le fonctionnement ou démarrer à nouveau, et le mode de fonctionnement de l'aspirateur ne changera pas



Mode 2 : Mode de nettoyage continu (verrouillage électronique)

Cliquez sur le bouton  pour passer en mode de Nettoyage Continu et le bouton  sera activé. Relâchez ensuite l'interrupteur marche / arrêt pour garder l'aspirateur en mode de nettoyage continu.

Utilisez le verrouillage électronique pour vous permettre de libérer vos doigts et éviter ainsi la fatigue causée par le maintien de l'interrupteur.



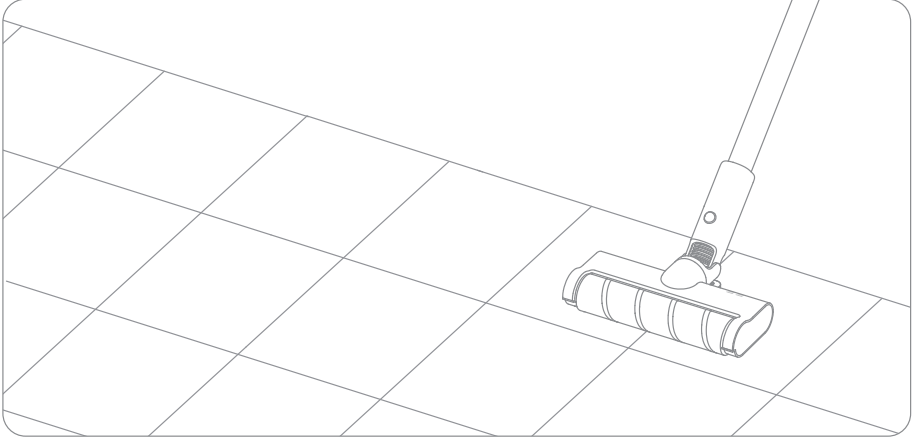
Remarque :

- Dans ce mode, appuyez brièvement sur l'interrupteur pour suspendre le fonctionnement ou démarrer à nouveau, et le mode de fonctionnement de l'aspirateur ne changera pas
- Cliquez à nouveau sur le verrouillage électronique pour quitter le mode de nettoyage continu.

Mode d'utilisation

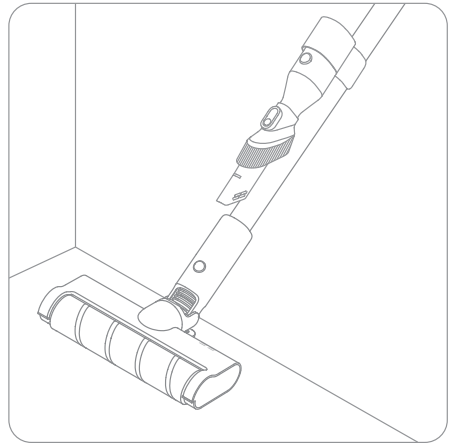
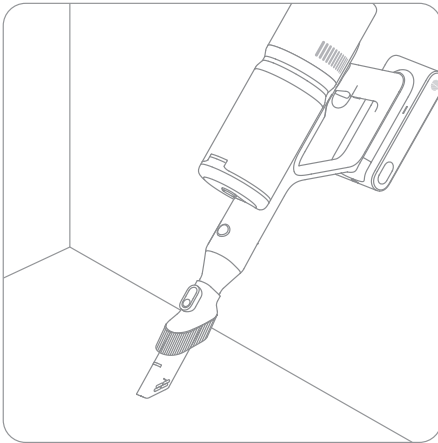
Utilisation des différents accessoires

Brosse douce : Adaptée à l'aspiration des surfaces dures, telles que le parquet, le carrelage, le marbre, et des salissures et des débris de plus grande taille. La brosse douce peut également être fixée directement à l'aspirateur.



Suceur fente 2-en-1 : Adapté à l'aspiration dans les fentes, les coins des portes et fenêtres, les escaliers et tout autre endroit difficile d'accès.

Crochet portable : Le suceur plat 2 en 1 peut être rangé dans le crochet portable comme illustré lorsqu'il n'est pas utilisé.



Remarque :

- Si un pièce rotative se coince, l'aspirateur est susceptible de s'éteindre automatiquement. Retirez tout objet coincé dans l'aspirateur, puis poursuivez votre utilisation.
- Quand la batterie surchauffe en fonctionnement, l'aspirateur s'éteint automatiquement. Attendez que la température de la batterie revienne à un niveau normal, puis poursuivez votre utilisation.

Astuces :

1. Utilisez toujours des pièces d'origine, faute de quoi la garantie pourrait être annulée.
2. Si l'aspirateur n'a pas été utilisé pendant une période prolongée, chargez entièrement sa batterie, débranchez son adaptateur secteur et stockez-le dans un endroit frais, sec et éloigné des rayons directs du soleil. Pour éviter une décharge excessive de la batterie, rechargez l'aspirateur au moins tous les 3 mois.

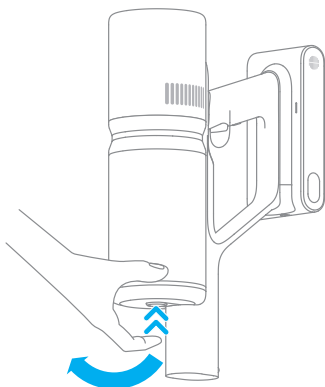
Nettoyage de l'aspirateur

Essayez l'aspirateur avec un chiffon doux et sec.

Nettoyage du compartiment à poussière et du préfiltre

Avant le nettoyage, assurez-vous que l'adaptateur secteur a été débranché et veillez à ne pas toucher accidentellement l'interrupteur pour ne pas démarrer l'aspirateur.

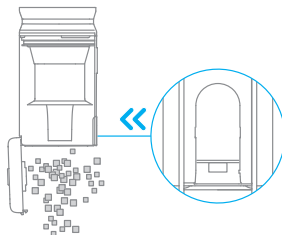
1. Appuyez sur le bouton de retrait du compartiment à poussière, maintenez-le et inclinez-le comme indiqué sur la figure pour le retirer de l'unité principale.



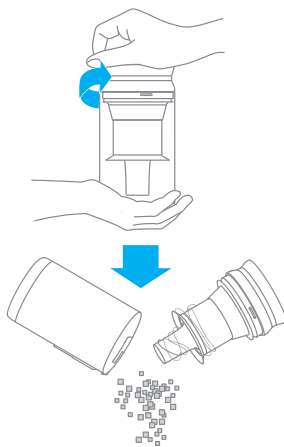
2. Pour vider la poussière.

Conseil: il est recommandé de nettoyer après chaque utilisation.

Méthode 1: Appuyez sur le bouton de déverrouillage au bas du compartiment.

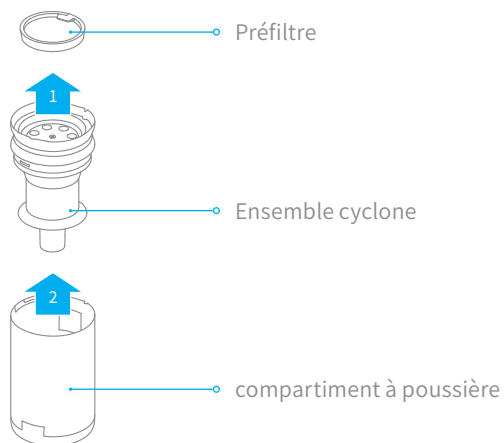


Méthode 2: Tenez le couvercle supérieur du compartiment à poussière, puis retirez l'ensemble du cyclone.

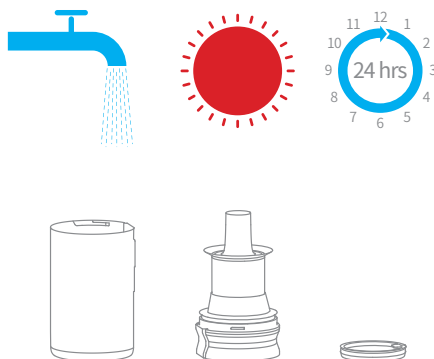


Entretien et maintenance

3. Retirez le préfiltre. Pivotez légèrement l'assemblage du cyclone pour le retirer du compartiment à poussière.



4. Rincez le préfiltre, l'ensemble cyclone et le compartiment à poussière avec de l'eau jusqu'à ce qu'ils soient propres. Ensuite, laissez les composants sécher pendant au moins 24 heures.



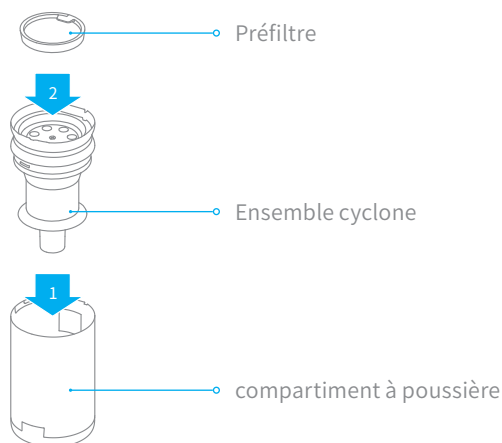
Remarque :

- Il est recommandé de nettoyer le compartiment à poussière au moins une fois par mois.
- Il est recommandé de nettoyer le système cyclone et le préfiltre au moins une fois tous les 3 à 4 mois.

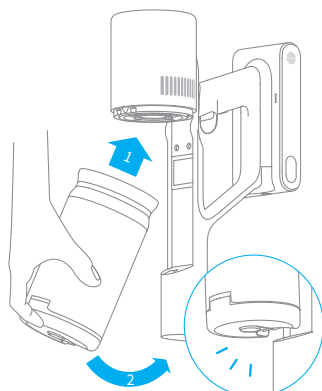
Installation de l'assemblage du compartiment à poussière

Remarque : Assurez-vous que tous les filtres sont complètement secs avant l'installation

1. Installez l'ensemble cyclone et le préfiltre dans le compartiment à poussière.



2. Enclenchez la fente sur le bord du compartiment à poussière avec la pièce de fixation de la machine et poussez le compartiment à poussière légèrement vers le dessous de la machine. Lorsque vous entendez un « clic », l'installation est réussie.



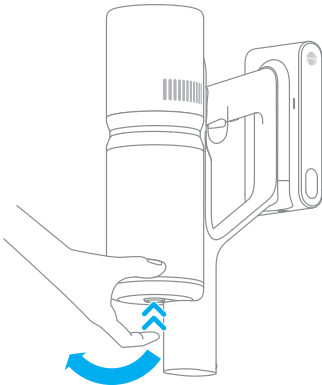
Insérer jusqu'à entendre un déclic

Entretien et maintenance

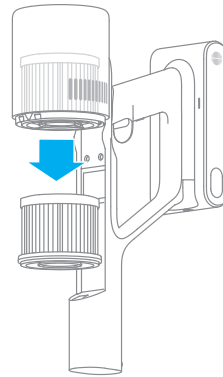
Nettoyage du filtre

Il est recommandé de nettoyer le filtre tous les 4 à 6 mois.

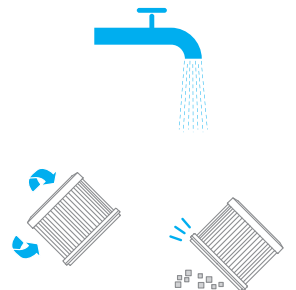
1. Retirez le compartiment à poussière comme illustré sur le schéma.



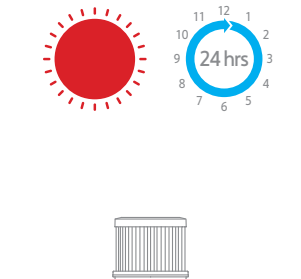
2. Retirez le filtre de l'aspirateur en tirant dessus, dans la direction indiquée sur le schéma.



3. Nettoyez le filtre avec de l'eau claire. Assurez-vous de faire pivoter le filtre à 360° afin de bien éliminer toute poussière coincée dedans. Tapotez légèrement le filtre plusieurs fois pour éliminer tout excès de poussière.



4. Laissez le filtre sécher complètement pendant au moins 24 heures.

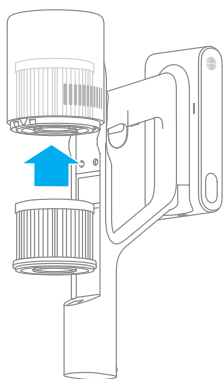


Remarque :

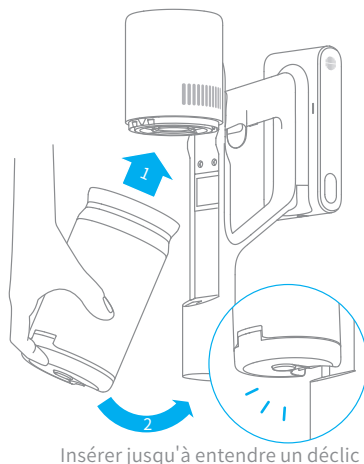
- Pour nettoyer le filtre, n'utilisez que de l'eau claire. N'utilisez pas de détergents.
- N'essayez pas de nettoyer le filtre avec une brosse ou vos doigts.

Installation du filtre

1. Insérez le filtre dans l'aspirateur et enfoncez-le délicatement, comme indiqué sur le schéma.



2. Réinstallez le compartiment à poussière.

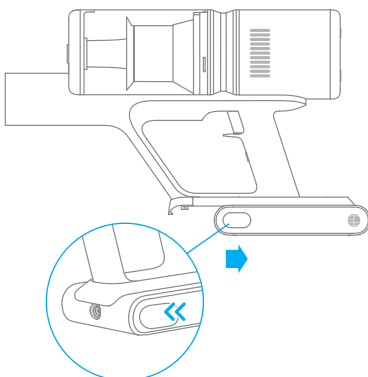


Batterie

L'aspirateur contient une batterie lithium-ion rechargeable disposant d'un nombre limité de cycles de charge. Après un usage prolongé, la batterie est susceptible de se décharger rapidement. Si c'est le cas, cela signifie que la batterie est arrivée au bout de sa durée de vie et doit être remplacée.

1. Appuyez sur le bouton de déverrouillage de la batterie et faites-la glisser vers la droite pour la retirer, comme illustré sur le schéma.

2. Installez la nouvelle batterie.

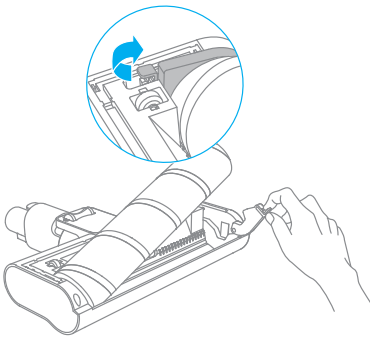


Entretien et maintenance

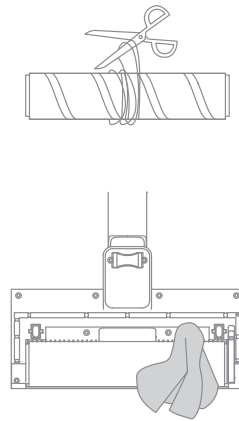
Nettoyage de la brosse douce

1. Appuyez sur le bouton de déverrouillage de la tête dans le sens de la flèche jusqu'à ce que son couvercle s'ouvre, puis retirez la tête de la brosse en la soulevant dans le sens indiqué.

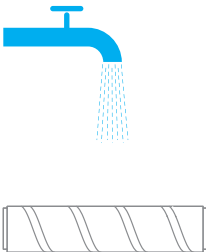
Remarque : utilisez de petits outils pour soulever le clip.



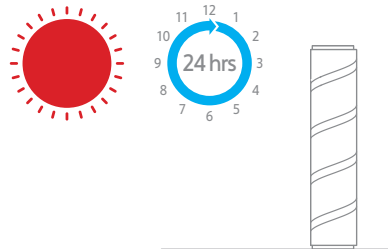
2. Utilisez des ciseaux pour couper les poils et les fibres qui collent à la tête de la brosse. Essuyez la poussière de la fente et du couvercle transparent avec un chiffon sec ou une serviette en papier.



3. Lorsqu'elle est sale, rincez la tête de la brosse avec de l'eau propre jusqu'à ce qu'elle soit propre.



4. Maintenez la tête de la brosse en position verticale pendant au moins 24 heures jusqu'à ce qu'elle soit complètement sèche.



Spécifications

L'aspirateur			
Modèle	VPD1	Tension de charge	30 V ===
Puissance nominale	350 W	Tension nominale	25,2 V ===
Temps de Charge	Environ 2,5 heures	Capacité nominale	2000 mAh
Brosse douce			
Modèle	AVB11		
Puissance nominale	40 W		
Tension nominale	25,2 V ===		
Adaptateur secteur			
Modèle	YLS0251B-E300080	Entrée nominale	100-240 V~50/60 Hz 0,8 A Max
Sortie nominale	30 V ===800 mA	Efficacité active moyenne	88,53 %
Efficacité à charge faible (10%)	78,66 %	Consommation d'énergie sans charge	0,09 W
Batterie rechargeable lithium-ion			
Modèle	P2013A-7S1P-SCA	Capacité nominale	2000 mAh
Tension nominale	25,2 V ===	Énergie	45,36 Wh

La batterie lithium-ion contient des substances dangereuses pour l'environnement. Avant de mettre l'aspirateur au rebut, retirez d'abord la batterie pour la jeter ou la recycler conformément à la législation et à la réglementation locales du pays ou de la région dans lequel ou laquelle il est utilisé.

En cas de dysfonctionnement de l'aspirateur, consultez le tableau ci-dessous.

Erreurs	Causes possibles	Solutions
L'aspirateur ne fonctionne pas.	La batterie de l'aspirateur est déchargée ou faiblement chargée.	Rechargez complètement l'aspirateur avant de commencer à le réutiliser.
	Déclenchement du mode Protection suite à une obstruction.	Attendez que l'aspirateur refroidisse, puis réactivez-le.
	L'orifice d'aspiration ou le passage d'air est obstrué.	Retirez les débris susceptibles de bloquer l'orifice d'aspiration ou le passage de l'air.
Réduction de la puissance d'aspiration.	Le compartiment à poussière est rempli et/ou l'ensemble filtre est obstrué.	Videz le compartiment à poussière et nettoyez l'ensemble filtre.
	L'accessoire est obstrué.	Retirez les débris susceptibles d'obstruer l'accessoire.
Le moteur fait un bruit anormal.	L'orifice d'aspiration principal ou la tige de rallonge est obstrué.	Retirez les débris susceptibles de bloquer l'orifice d'aspiration principal ou la tige de rallonge.
Le voyant de la batterie ne s'allume pas lors de la recharge.	L'adaptateur secteur n'est pas connecté à l'aspirateur.	Assurez-vous que l'adaptateur secteur est correctement branché.
	La batterie est complètement chargée et est passée en mode veille.	Elle peut être utilisée normalement.
	Si le problème persiste après avoir éliminé les deux possibilités ci-dessus.	Contactez le service après-vente pour maintenance.
La recharge s'effectue lentement.	La température de la batterie est trop faible ou trop élevée.	Attendez que la température de la batterie redevienne normale, puis recommencez à l'utiliser.

Indication pour la panne

Lorsque l'aspirateur ne fonctionne pas normalement, un code de panne apparaît à l'écran. Veuillez vous référer au tableau ci-dessous pour le dépannage.

Icône d'erreur	cause de la panne	Solutions
	Nettoyer la brosse	reportez-vous à la section du manuel d'entretien [Soft Roller Nozzle] (Buse à rouleau souple) pour nettoyer les fibres et les poils enroulés autour de la brosse à roulette.
	Conduit d'air bloqué	vérifiez si le compartiment à poussière, la rallonge et la buse du rouleau souple sont bloqués.
	Erreurs	veuillez contacter notre personnel du service après-vente pour l'entretien.
	Alarme de surchauffe	veuillez patienter et continuer à utiliser le moteur une fois que sa température est normale.

Informations DEEE



Tous les produits portant ce symbole deviennent des déchets d'équipements électriques et électroniques (DEEE dans la Directive européenne 2012/19/UE) qui ne doivent pas être mélangés aux déchets ménagers non triés. Vous devez contribuer à la protection de l'environnement et de la santé humaine en apportant l'équipement usagé à un point de collecte dédié au recyclage des équipements électriques et électroniques, agréé par le gouvernement ou les autorités locales. Le recyclage et la destruction appropriés permettront d'éviter tout impact potentiellement négatif sur l'environnement et la santé humaine. Contactez l'installateur ou les autorités locales pour obtenir plus d'informations concernant l'emplacement ainsi que les conditions d'utilisation de ce type de point de collecte.

Importanti istruzioni disicurezza

Per evitare scosse elettriche, incendi e altre lesioni accidentali causate da un uso improprio, leggere attentamente questo manuale di istruzioni prima dell'uso.

Avvertenze

- Questo dispositivo non può essere utilizzato da persone con disabilità fisiche, sensoriali o intellettuali e da persone senza esperienza e conoscenza pertinenti, compresi i bambini, a meno che non vi sia supervisione o guida di un tutore per garantirne l'utilizzo sicuro.
- Ai bambini è vietato utilizzare o giocare con il dispositivo. Quando si utilizza il prodotto vicino a un bambino, è necessario prestare particolare attenzione; al bambino è vietato provvedere alla pulizia o alla manutenzione del dispositivo senza un tutore.
- Non utilizzare su superfici esterne o bagnate. Utilizzare solo su superfici interne asciutte. Non toccare la spina o qualsiasi parte del dispositivo con le mani bagnate.
- Verificare che la batteria al litio e il caricabatterie non siano danneggiati prima dell'uso. Per prevenire incendi, esplosioni o lesioni, non utilizzare l'aspirapolvere quando la batteria al litio o il caricabatterie sono danneggiati.
- La spazzola morbida a rullo, la mini spazzola elettrica, la batteria, l'asta di metallo e il dispositivo principale dell'aspirapolvere sono tutte parti in tensione. Non lavarle immergendole in acqua o altri liquidi. Dopo la pulizia quotidiana, assicurarsi che tutti i filtri siano completamente asciutti.
- Evitare i danni causati dalle parti mobili. Spegnerne l'aspirapolvere prima di pulire la spazzola morbida a rullo. La spazzola morbida a rullo, il raccogli-polvere ed il filtro devono essere tutti installati appropriatamente prima dell'uso dell'aspirapolvere.
- Utilizzare solo il caricabatterie originale, non utilizzare un adattatore non ufficiale, poiché ciò potrebbe provocare l'incendio della batteria al litio.
- Non utilizzare questa apparecchiatura per acqua, benzina e altri liquidi infiammabili o esplosivi, non inalare soluzioni tossiche come candeggina al cloro, ammoniaca, detergenti per fognature o altri liquidi.
- È vietato utilizzare questo aspirapolvere per pulire la polvere di cartongesso, la brace del camino e la cenere e astenersi dall'inalare il fumo o bruciare materiali come carbone, mozziconi di sigaretta o fiammiferi. È vietato utilizzare l'aspirapolvere per pulire oggetti appuntiti come vetro, chiodi, viti, monete, altrimenti danneggerà l'aspirapolvere.
- Non utilizzare l'aspirapolvere per raccogliere oggetti duri o taglienti, come vetro, unghie, viti o monete, che potrebbero danneggiarlo.
- Tenere il flusso d'aria e le parti mobili del dispositivo lontano da capelli, indumenti larghi, dita e altre parti del corpo. Non puntare connettori metallici o altri accessori verso gli occhi, le orecchie o la bocca.
- Non posizionare oggetti sul bocchaglio. È vietato bloccare la bocca di aspirazione quando si utilizza l'aspirapolvere. Polvere, cotone idrofilo, capelli o altri oggetti possono indebolire il flusso d'aria. Pulirlo per tempo.
- Non posizionare l'aspirapolvere sulla sedia, sul tavolo da pranzo e su altre superfici instabili per evitare danni all'aspirapolvere o danni all'utente. Quando l'aspirapolvere è rotto,

- danneggiato o funziona in modo anomalo, contattare il Servizio di Assistenza ufficiale autorizzata per lo smaltimento.
- Caricare la batteria rispettando scrupolosamente le istruzioni contenute nel manuale. Se non viene caricata correttamente entro l'intervallo di temperatura specificato, la batteria potrebbe danneggiarsi.
- Scollegare l'unità per lunghi periodi di tempo e prima della manutenzione o della riparazione.
- Prestare particolare attenzione quando si utilizza la pulizia del prodotto.
- Non installare, caricare o utilizzare il dispositivo all'aperto, in bagno o in piscina.
- Avviso di pericolo di incendio, non applicare alcun prodotto aromatico al filtro di questo prodotto, poiché i prodotti chimici in tali prodotti sono infiammabili e causano l'incendio del prodotto.
- Il prodotto è progettato esclusivamente per uso domestico.
- Utilizzare esclusivamente il caricabatterie originale (YLS0251B-E300080). In caso contrario, la batteria agli ioni di litio potrebbe prendere fuoco.
- Non utilizzare o conservare il prodotto in ambiente estremamente caldo o freddo (inferiore a 0°C / 32° F o superiore a 40°C / 104° F). Utilizzare l'adattatore di alimentazione originale per la ricarica a temperatura tra 0° C e 40° C.
- Utilizzare esclusivamente il tipo di batteria approvato (P2013A-7S1P-SCA). In caso contrario, la batteria agli ioni di litio potrebbe prendere fuoco.

Con la presente, Dreame Trading (Tianjin) Co., Ltd. dichiara che questo apparecchio è conforme alle direttive applicabili e alle norme europee, nonché ai relativi emendamenti. Il testo completo della dichiarazione di conformità UE è disponibile al seguente indirizzo Internet: www.dreame-technology.com

Il manuale elettronico dettagliato è disponibile all'indirizzo <https://www.dreame-technology.com/pages/user-manuals-and-faqs>

Panoramica del prodotto

Accessori



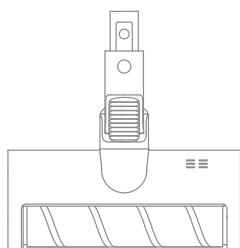
Prolunga



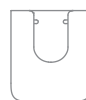
Ugello per fessure 2-in-1



Alimentatore



Spazzola morbida a rullo



Supporto fisso da parete
(con 2 viti e 2 tasselli)

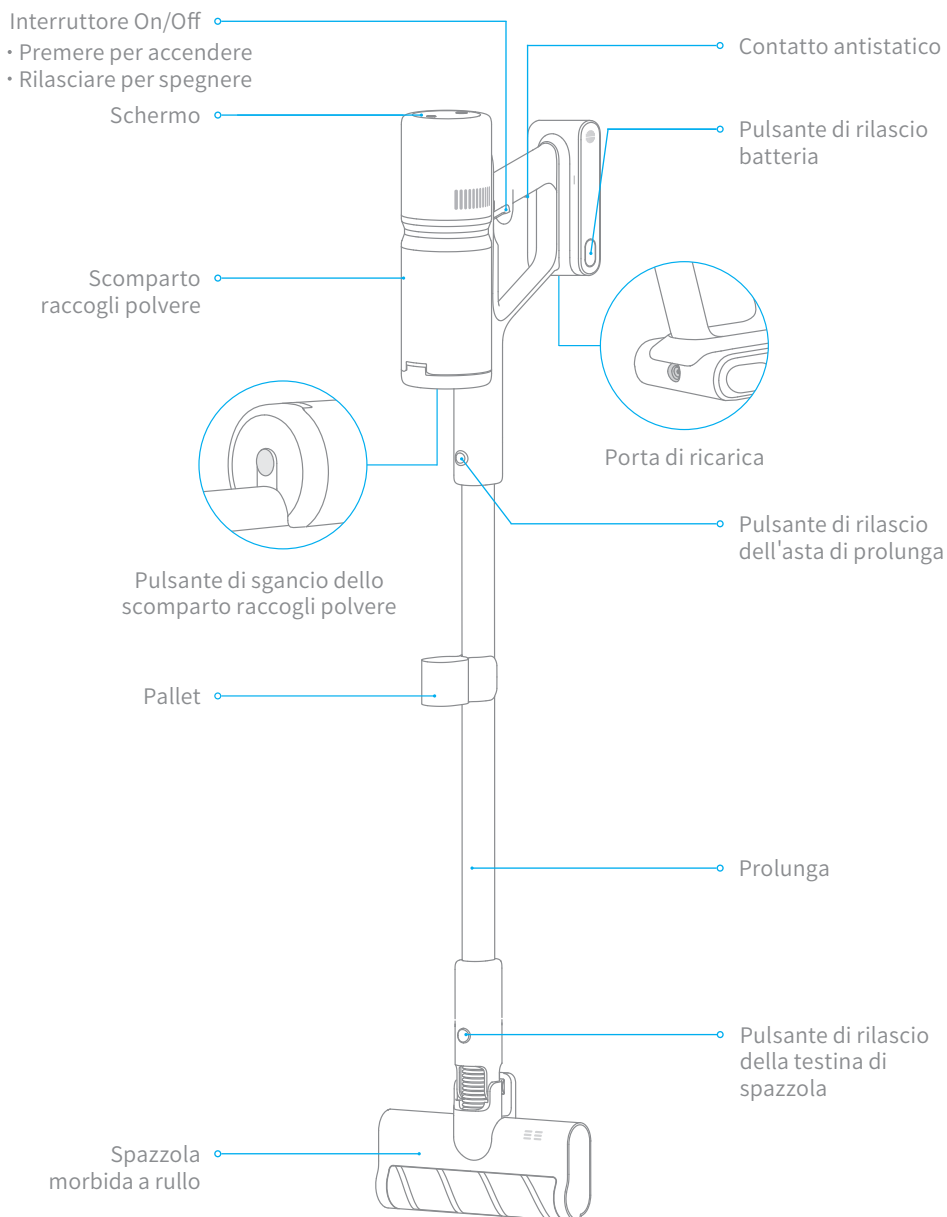


Pallet

Promemoria: La specifica è solo di riferimento, il reale aspetto si basa sull'oggetto.

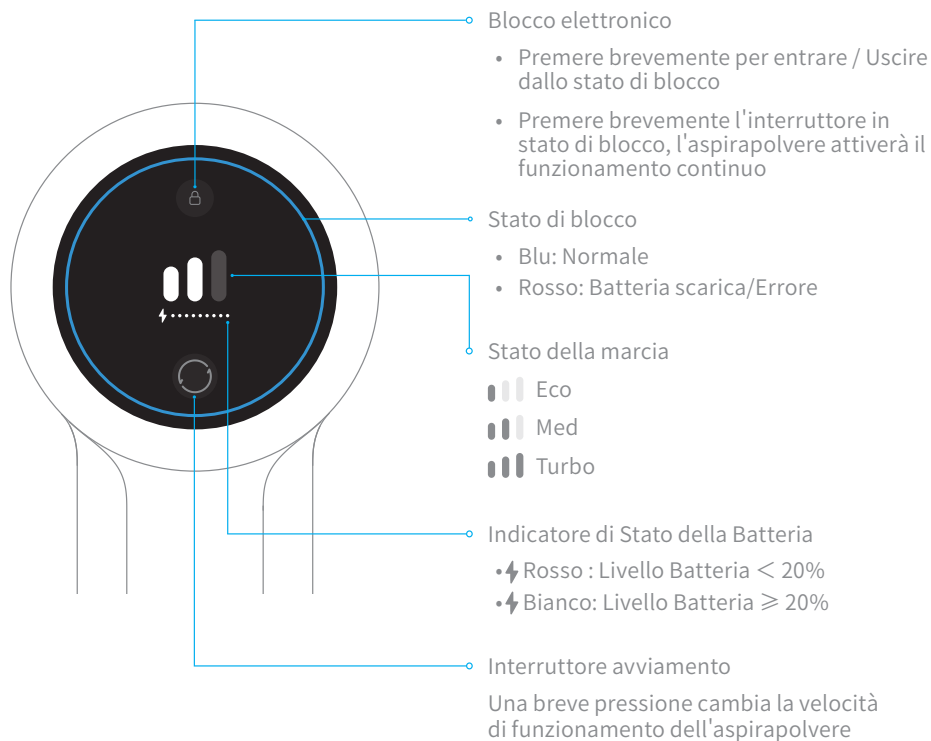
Panoramica del prodotto

Nomi dei componenti



Panoramica del prodotto

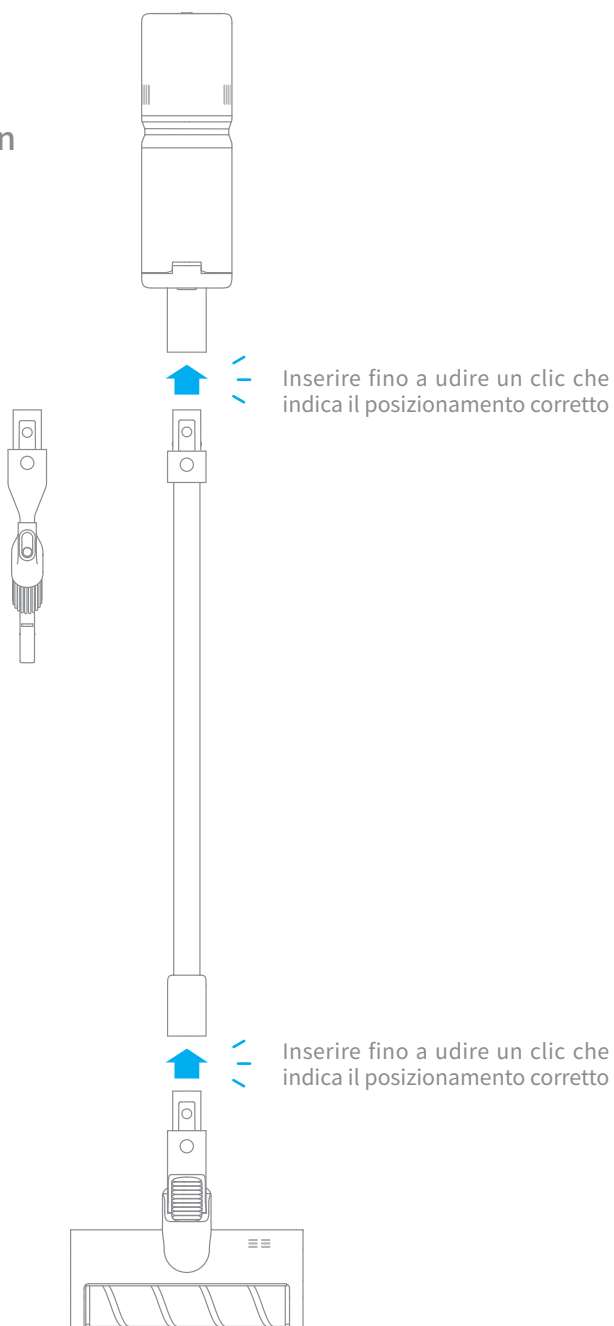
Schermo



Nota: In presenza di una situazione anormale durante l'uso del dispositivo, lo schermo visualizzerà un messaggio rapido. Si devono seguire le indicazioni sullo schermo per mantenere le funzionalità invariate.

Installation

Diagramma di installazione aspirapolvere e accessori Installation Diagram

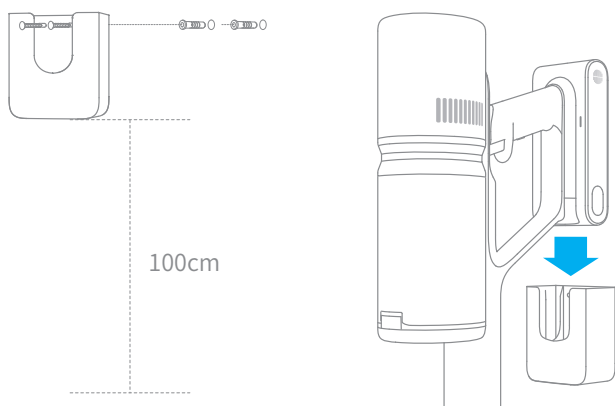


Installation

Installazione del supporto fisso da parete

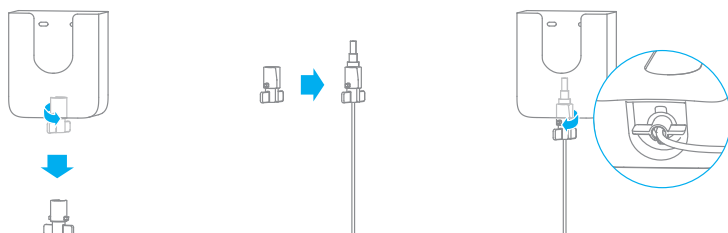
Il supporto fisso da parete deve essere collocato in un luogo fresco e asciutto nelle vicinanze di una presa elettrica e assicurarsi che non vi siano strutture come fili o tubi direttamente dietro l'area di installazione.

1. Quando si installa la supporto fisso da parete, misurare innanzitutto la posizione di 100 cm dall'altezza del pavimento.
2. Utilizzare un trapano elettrico con una punta da 8 mm per eseguire i fori, posizionare il tassello a espansione nel foro.
3. Allineare i fori di montaggio del supporto fisso da parete con i fori nella parete e fissarlo alla parete con le viti.



Metodo per il collegamento dell'estremità della presa dell'adattatore e del supporto fisso da parete

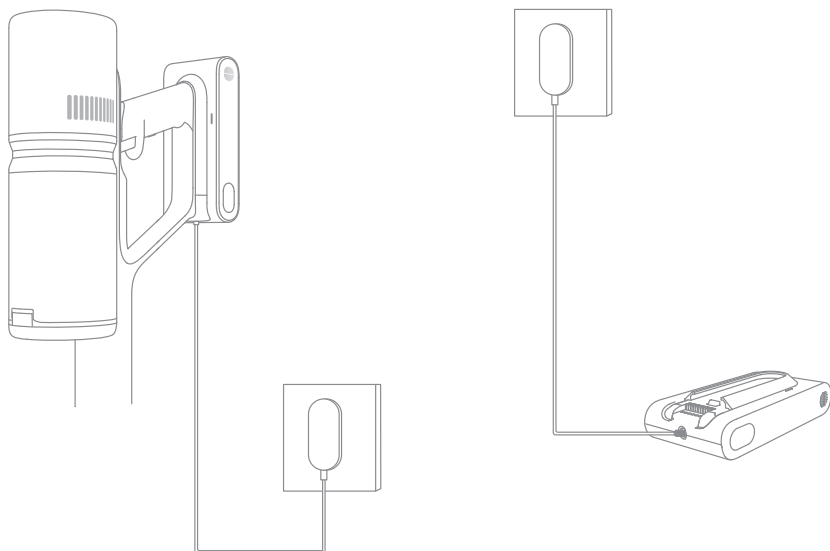
1. Rimuovere la fibbia mobile sul fondo del supporto fisso ruotandola di 90° in senso antiorario.
2. Fissare le linee di alimentazione dell'adattatore dall'estremità scanalata della fibbia.
3. Bloccare la fibbia ruotandola di 90° in senso orario.



Modalità di ricarica

Nota :

- Non è possibile utilizzare l'aspirapolvere mentre viene ricaricato.
- prima del primo utilizzo, caricare completamente l'aspirapolvere. La carica completa richiederà circa 2,5 ore.
- L'aspirazione in modalità turbo per un periodo prolungato determina il riscaldamento della batteria, con conseguente aumento del tempo di ricarica. Lasciare raffreddare l'aspirapolvere per 30 minuti prima di ricaricarlo.



Schermo

Indicatore di Stato della Batteria

- 🔴 Rosso : Livello Batteria < 20%
- ⚪ Bianco: Livello Batteria \geq 20%

Indicatore della Batteria

l'indicatore della batteria lampeggia e poi si accende costantemente in sequenza a seconda delle condizioni della batteria.

Nota: Lo schermo si spegnerà se non c'è alcuna operazione per più di 30 secondi.



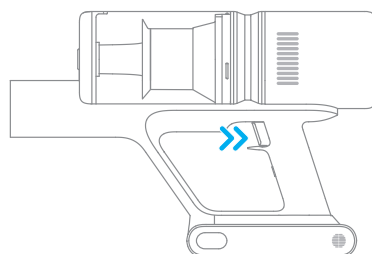
Modalità d'utilizzo

Modalità Pulizia



Ci sono due modalità di lavoro per l'aspirapolvere, che possono essere selezionate a secondo delle proprie esigenze.

Modalità 1: Modalità Pulizia Discontinua

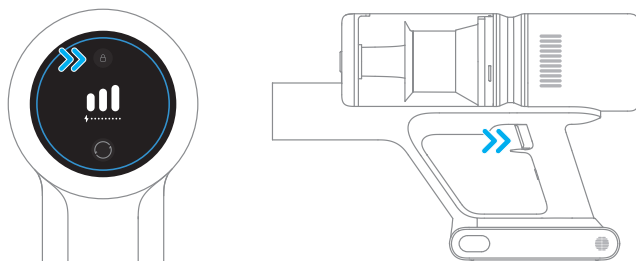
Tenere premuto il tasto dell'aspirapolvere per avviare il lavoro, e rilasciarlo per arrestarlo immediatamente.



Modalità 2 : Modalità Pulizia continua (blocco elettronico)

Fare clic sul pulsante  per passare alla Modalità Pulizia Continua e il pulsante  diventa acceso. Rilasciare l'interruttore on/off per impostare l'aspirapolvere in Modalità Pulizia Continua.

Usare il blocco elettronico per non usare troppo le tue dita ed evitare un affaticamento causato tenendo premuto l'interruttore.

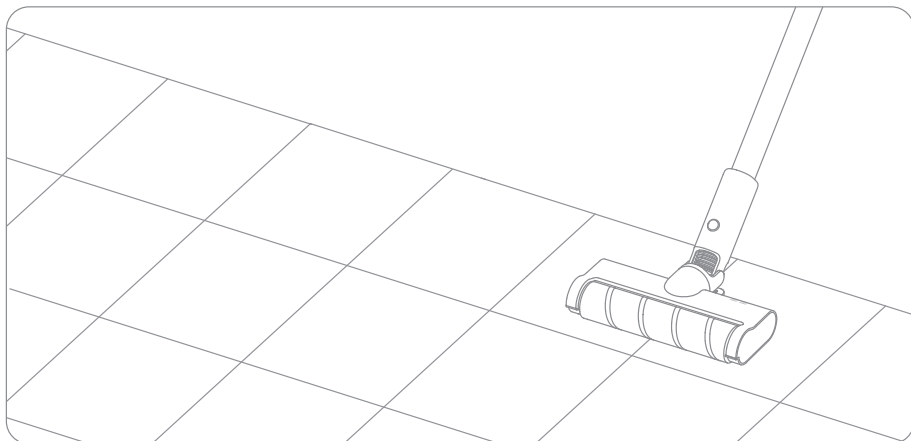


Nota:

- In questa modalità, premere brevemente il tasto per sospendere l'operazione o riavviarla nuovamente, e la modalità di lavoro dell'aspirapolvere non cambierà.
- Premere il blocco elettronico nuovamente per abbandonare la Modalità Pulizia Continua.

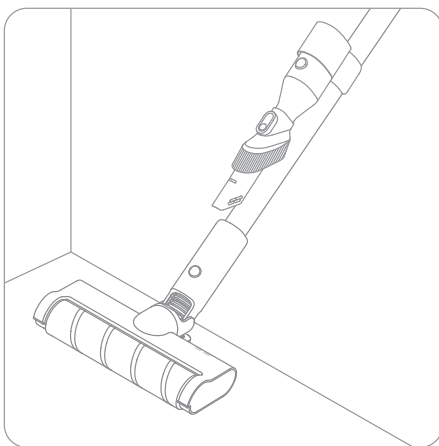
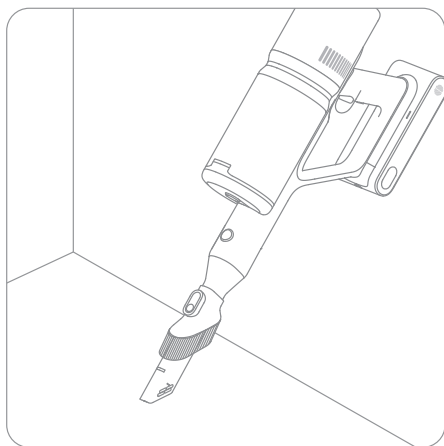
Uso dei diversi accessori

Spazzola morbida a rullo: consente di pulire superfici dure come pavimenti, piastrelle e marmo, nonché di aspirare sporco e detriti di dimensioni maggiori. La spazzola morbida a rullo può anche essere collegata direttamente all'aspirapolvere.



Ugello per fessure 2-in-1: consente di aspirare in fessure, angoli di porte e finestre, scale e altri punti difficili da raggiungere.

Pallet: La bocchetta per fessure 2 in 1 può essere conservata nel gancio di attacco come mostrato quando non in uso.



Nota:

- Se una delle parti rotanti si blocca, l'aspirapolvere potrebbe spegnersi automaticamente. Eliminare eventuali corpi estranei intrappolati, quindi riprendere l'uso.
- Quando della batteria si surriscalda, l'aspirapolvere si spegne automaticamente. Attendere che la temperatura della batteria torni alla normalità, quindi riprendere l'utilizzo.

Cura e manutenzione

Consigli:

1. Usare sempre parti originali per evitare che la garanzia decada.
2. Se non si intende utilizzare l'aspirapolvere per un lungo periodo di tempo, caricarlo completamente, scollegarlo dall'alimentatore e riporlo in un luogo fresco e poco umido, al riparo dalla luce solare diretta. Per evitare che la batteria si scarichi eccessivamente, ricaricare l'aspirapolvere almeno una volta ogni 3 mesi.

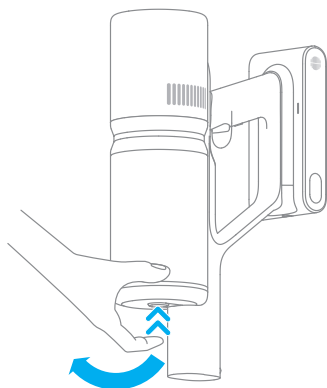
Pulizia dell'aspirapolvere

Strofinare con un panno morbido asciutto.

Pulire il Scomparto Raccogli Polvere & Pre-Filtro

Prima di pulire lo scomparto raccogli polvere, scollegare l'alimentatore e tenere l'interruttore di accensione dell'aspirapolvere in posizione Off.

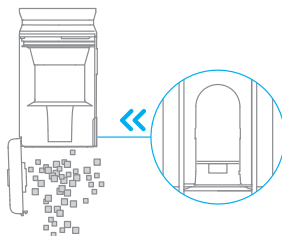
1. Premere il contenitore della polvere per rimuovere il fondo, e tenere il contenitore della polvere nella direzione indicata nella tabella dall'attacco del tubo.



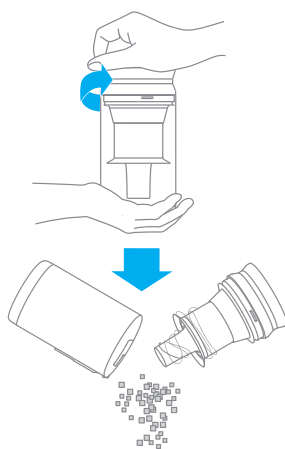
2. E svuotare la polvere del contenitore.

Promemoria: Si raccomanda di pulirlo dopo ogni utilizzo.

Metodo 1: Premere il pulsante di rilascio sul fondo del scomparto.

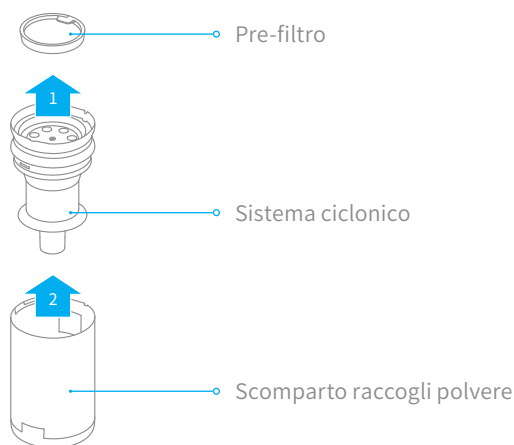


Metodo 2: Afferrare il coperchio superiore del scomparto raccogli polvere, e rimuovere il gruppo ciclone.

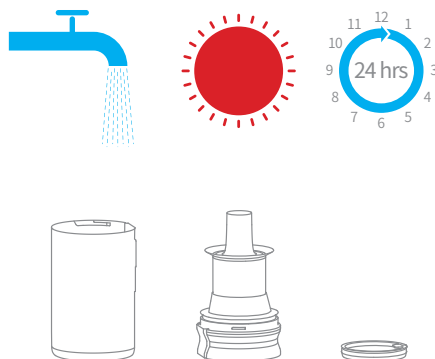


Cura e manutenzione

3. Rimuovere il pre-filtro. Ruotare leggermente il gruppo ciclone per rimuoverlo dal scomparto raccogli polvere.



4. Sciacquare il pre-filtro, il sistema ciclonico e il vano polvere con acqua finché non risultano puliti, quindi mettere da parte ciascun componente per almeno 24 ore per farlo asciugare completamente.



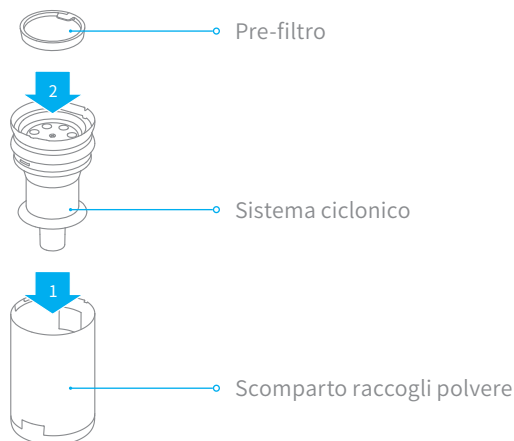
Nota :

- Si raccomanda di pulire il contenitore della polvere almeno una volta al mese.
- Si consiglia di pulire il sistema di ciclone e il pre-filtro almeno una volta ogni 3-4 mesi.

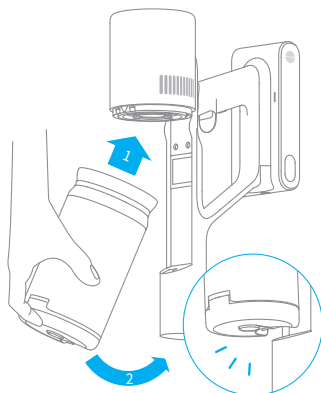
Installazione dei componenti del contenitore della polvere

Nota : Assicurarsi che tutti i filtri siano completamente asciutti prima dell'installazione.

1. Installare il gruppo ciclone e il pre-filtro nel scomparto raccogli polvere.



2. Bloccare la fessura a scheda sul bordo del contenitore della polvere con il blocco convesso limite dell'attacco, premere delicatamente il contenitore della polvere verso la parte inferiore dell'attacco e un "clac" indica che l'installazione è riuscita.

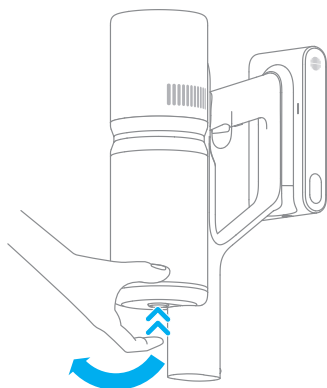


Inserire fino a udire un clic che indica il posizionamento corretto

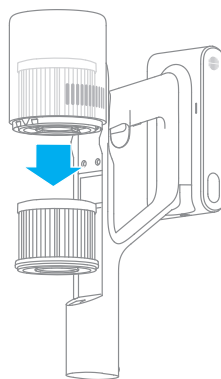
Pulizia del filtro

Si consiglia di pulire il filtro una volta ogni 4-6 mesi.

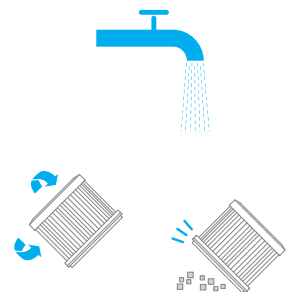
1. Rimuovere il vano polvere come mostrato nella figura.



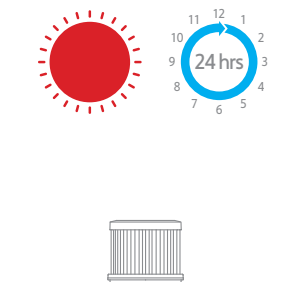
2. Rimuovere il filtro dall'aspirapolvere tirandolo verso il basso nella direzione mostrata nella figura.



3. Pulire il filtro con acqua pulita. Assicurarsi di ruotare il filtro di 360° per rimuovere accuratamente tutta la polvere intrappolata nel filtro. Picchiettare leggermente il filtro più volte per rimuovere lo sporco in eccesso.



4. Lasciare asciugare completamente il filtro per almeno 24 ore.



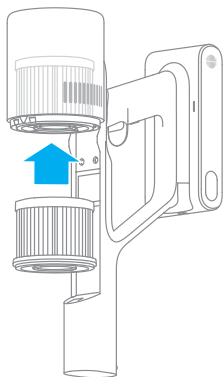
Nota :

- Per pulire il filtro, utilizzare esclusivamente acqua pulita. Non utilizzare detersivi.
- Non tentare di pulire il filtro con una spazzola o con le dita.

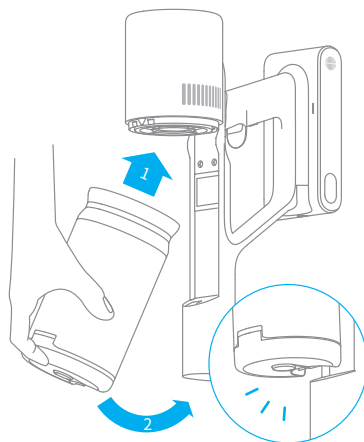
Cura e manutenzione

Installazione del filtro

1. Inserire il filtro nell'aspirapolvere, quindi premere delicatamente verso il basso, come illustrato.



2. Reinstallare il vano polvere.



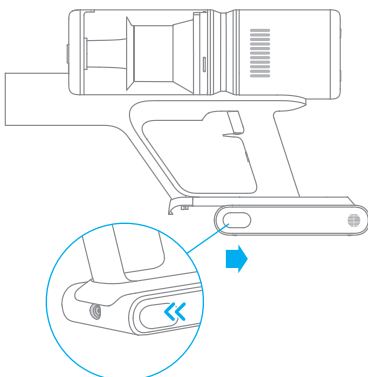
Inserire fino a udire un clic che indica il posizionamento corretto

Batteria

L'aspirapolvere contiene una batteria ricaricabile agli ioni di litio rimovibile che dispone di un numero limitato di cicli di ricarica. Dopo un uso prolungato, la batteria potrebbe non mantenere più la carica. Se ciò si verifica, la batteria ha raggiunto la fine del ciclo di vita e deve essere sostituita.

1. Premere il pulsante di rilascio della batteria e farla scorrere verso destra per rimuoverla.

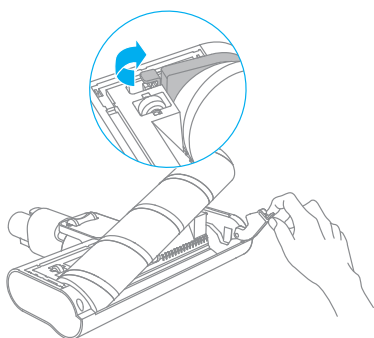
2. Installare la nuova batteria.



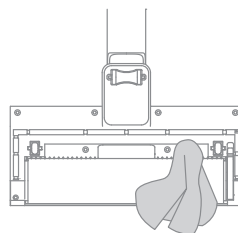
Pulizia della spazzola morbida a rullo

1. Premere il pulsante di sgancio della testa della spazzola nella direzione della freccia finché il coperchio non si apre a scatto, quindi rimuovere la testa della spazzola sollevandola nella direzione indicata.

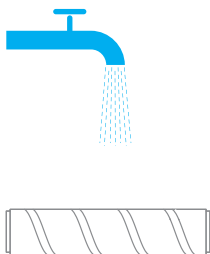
Nota: Usare piccoli strumenti per staccare la fibbia.



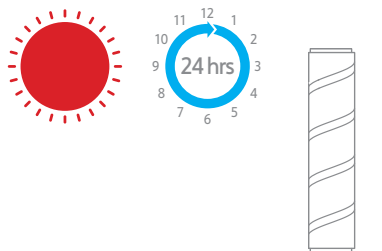
2. Usare le forbici per tagliare i peli e le fibre che si attaccano alla testina. Rimuovere la polvere dalla tacca e dalla copertura trasparente con un panno asciutto o un tovagliolo di carta.



3. Quando è sporco, sciacquare la testina con acqua pulita fino a quando non è pulita.



4. Metti la testina in posizione verticale per almeno 24 ore fino a quando non è completamente asciutta.



Specifiche tecniche

Aspirapolvere			
Modello	VPD1	Tensione di ricarica	30 V ===
Potenza nominale	350 W	Tensione nominale	25,2 V ===
Tempo di ricarica	Circa 2,5 ore	Capacità nominale	2000 mAh
Spazzola morbida a rullo			
Modello	AVB11		
Potenza nominale	40 W		
Tensione nominale	25,2 V ===		
Alimentatore			
Modello	YLS0251B-E300080	Tensione nominale	100-240 V~50/60 Hz 0,8 A Max
Uscita nominale	30 V ===800 mA	Efficienza attiva media	88,53 %
Efficienza a basso carico (10%)	78,66 %	Consumo di energia a vuoto	0,09 W
Batteria agli ioni di litio ricaricabile			
Modello	P2013A-7S1P-SCA	Capacità nominale	2000 mAh
Tensione nominale	25,2 V ===	Energia	45,36 Wh





La batteria agli ioni di litio contiene sostanze pericolose per l'ambiente. Prima di gettare via l'aspirapolvere, rimuovere la batteria, quindi smaltirlo o riciclarlo in conformità alle leggi e alle normative locali del Paese o dell'area in cui viene utilizzato.

Se l'aspirapolvere non funziona correttamente, fare riferimento alla tabella di risoluzione dei problemi riportata di seguito.

Errori	Possibili cause	Soluzioni
L'aspirapolvere non funziona	L'aspirapolvere ha la batteria quasi scarica o ha una potenza bassa.	Caricare completamente l'aspirapolvere, quindi riprendere l'uso.
	Modalità di protezione dal surriscaldamento attivata da un'ostruzione.	Attendere che l'aspirapolvere si raffreddi, quindi riattivarlo.
	L'a bocchetta di aspirazione o il passaggio dell'aria è ostruito.	Rimuovere eventuali ostruzioni dalla bocchetta di aspirazione o dal passaggio dell'aria.
L'aspirazione è debole	Lo scomparto raccogli polvere è pieno e/o il filtro è intasato.	Svuotare lo scomparto raccogli polvere e pulire il filtro.
	L'accessorio è ostruito.	Eliminare eventuali ostruzioni nell'accessorio.
Il motore emette uno strano rumore	La bocchetta di aspirazione principale o la prolunga è ostruita.	Rimuovere eventuali ostruzioni dalla bocchetta di aspirazione principale o dalla prolunga.
La spia della batteria non si accende durante la ricarica	L'alimentatore non è collegato all'aspirapolvere.	Verificare che l'alimentatore sia inserito correttamente in una presa.
	La batteria è completamente carica e si è avviata la modalità risparmio energia.	L'apparecchio può essere utilizzato normalmente.
	Se il problema persiste dopo avere escluso le due situazioni indicate sopra,	Contattare il servizio di assistenza post-vendita per la manutenzione.
La ricarica è lenta	La temperatura della batteria è troppo bassa o troppo alta.	Attendere che la temperatura della batteria torni alla normalità, quindi riprendere l'utilizzo.

Suggerimento Guasto

Quando l'aspirapolvere non funziona correttamente, il codice di guasto viene indicato sullo schermo, fare riferimento alla seguente tabella per la soluzione.

Icona errore	Cause dei guasti	Soluzioni
	Pulire il pennello	Manuale di manutenzione [Ugello rullo morbido] per pulire il materiale in fibra e i peli avvolti attorno alla spazzola rullo.
	Condotto dell'aria bloccato	Verificare se il compartimento della polvere, l'asta di prolunga e l'ugello del rullo morbido sono bloccati.
	Errore	Si prega di contattare il nostro servizio clienti specializzato per la manutenzione.
	Surriscaldamento	Si prega di attendere e continuare l'utilizzo dopo che la temperatura del motore si sia stabilizzata.

Informazioni RAEE



Tutti i prodotti contrassegnati da questo simbolo sono rifiuti di apparecchiature elettriche ed elettroniche (RAEE in base alla direttiva 2012/19/UE) che non devono essere smaltiti assieme a rifiuti domestici non differenziati. Al contrario, è necessario proteggere l'ambiente e la salute umana consegnando i rifiuti a un punto di raccolta autorizzato al riciclaggio di rifiuti di apparecchiature elettriche ed elettroniche, predisposto dalla pubblica amministrazione o dalle autorità locali. Lo smaltimento e il riciclaggio corretti aiutano a prevenire conseguenze potenzialmente negative all'ambiente e alla salute umana. Contattare l'installatore o le autorità locali per ulteriori informazioni sulla sede e per i termini e le condizioni di tali punti di raccolta.

Instrucciones de seguridad importantes

Antes de utilizar este electrodoméstico, lea todas las instrucciones y etiquetas de advertencia incluidas en este manual y en la Máquina, para evitar descargas eléctricas, incendios y otras lesiones accidentales causadas por el uso incorrecto.

Advertencia

- Este aparato no puede ser utilizado por personas con limitaciones físicas, sensoriales o mentales, o sin experiencia y conocimiento (niños incluidos), a menos que sean supervisados y reciban instrucciones sobre el uso seguro de la máquina por parte de un adulto responsable de su seguridad y entiendan los riesgos que implicados.
- No permita que la máquina se utilice como un juguete, se debe vigilar a los niños para asegurarse de que no juegan con la máquina. Preste mucha atención si es utilizada cerca o por niños o se utiliza cerca de ellos. Se prohíbe que los niños realicen la limpieza y el mantenimiento de la máquina sin supervisión.
- Esta máquina está diseñada para uso doméstico exclusivamente. No la utilice en el exterior ni sobre superficies mojadas. No manipule ningún componente ni el enchufe con las manos mojadas.
- Revise la batería de litio y el cargador antes de usarlos. Para evitar incendios, explosiones o lesiones, no use la aspiradora cuando la batería de litio o el cargador estén dañados.
- El rodillo suave, el mini cepillo eléctrico, la batería, la varilla metal conectora y el cuerpo principal de la aspiradora son conductores de electricidad y no deben sumergirse en agua u otro líquido. Asegúrese de secar todos los filtros después de limpiarlos.
- Para evitar lesiones causadas por piezas móviles, apague la aspiradora antes de limpiar el rodillo suave. El rodillo suave, el depósito de polvo y los filtros deben estar instalados correctamente antes de utilizar la aspiradora.
- Use solo el cargador original, no use un adaptador no oficial, ya que otro tipo de cargador puede provocar que la batería de litio se incendie.
- No utilice la aspiradora para recoger agua, ni para aspirar gasolina u otros líquidos inflamables o explosivos. No recoja líquido tóxico como cloro, amoníaco, limpiadores de alcantarillas u otros.
- Está prohibido usar esta aspiradora para limpiar polvo sobre paneles de yeso, cenizas de chimenea y ceniza, no aspire nada que esté en llamas o desprenda humo como, por ejemplo, carbón, cigarrillos, cerillas o cenizas incandescentes. Está prohibido usar la aspiradora para limpiar objetos afilados como vidrio, clavos, tornillos, monedas, de lo contrario, dañará la aspiradora.
- No utilice el aspirador para recoger objetos afilados o duros, como vidrio, clavos, tornillos o monedas, que puedan dañar la máquina.
- Evite que el pelo, la ropa, los dedos o cualquier otra parte del cuerpo entre en contacto con las aberturas o las piezas móviles. No apunte con la manguera, la empuñadura o los accesorios a los ojos u orejas, ni se los meta en la boca.
- No introduzca ningún objeto en las aberturas de la máquina. No utilice la máquina si alguna abertura está bloqueada; manténgalo limpio de polvo, pelusa, pelo o cualquier otra sustancia que pueda reducir el flujo de aire.

- No coloque la aspiradora sobre la silla, la mesa del comedor y otras superficies inestables para evitar daños a la aspiradora o daños al usuario. No utilice la máquina si no funciona correctamente, ha recibido un golpe, se ha caído o ha sufrido daños. Póngase en contacto con el servicio de Atención al Cliente de Dreame, no desmonte la máquina.
- Cargue la batería siguiendo estrictamente las instrucciones del manual. Si no se carga adecuadamente dentro del rango de temperatura especificado, la batería puede dañarse.
- Desconecte el cargador cuando no se utilice durante períodos prolongados y antes de realizar labores de mantenimiento.
- Preste atención mientras limpia en escaleras.
- No instale, cargue ni use este aparato en el exterior, en el baño o alrededor de la piscina.
- Alerta de incendio, no aplique ninguna fragancia o producto perfumado al filtro de este aparato. Las sustancias químicas en este tipo de productos son conocidas por ser inflamables y pueden causar que el aparato se incendie.
- Lea y guarde estas instrucciones.
- Utilice únicamente el cargador original (YLS0251B-E300080). No hacerlo, podría provocar que la batería de ion de litio se incendie.
- No lo use ni almacene en ambientes extremadamente calientes o fríos (por debajo de 0°C / 32° F o por encima de 40°C / 104° F). Utilice el adaptador de alimentación original para cargar el robot a una temperatura de 0° C a 40° C.
- Utilice únicamente el tipo de batería aprobado (P2013A-7S1P-SCA). No hacerlo, podría provocar que la batería de ion de litio se incendie.

Nosotros, Dreame Trading (Tianjin) Co., Ltd., por la presente, declaramos que el equipo cumple con las Directivas y Normas Europeas aplicables y las enmiendas. Encontrará el texto completo de la declaración de conformidad de la UE en esta dirección de Internet: www.dreame-technology.com

Para un manual electrónico detallado, vaya a <https://www.dreame-technology.com/pages/user-manuals-and-faqs>

Introducción del producto

Accesorios



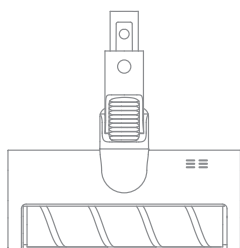
Barra



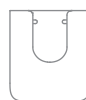
Cabeza de succión plana 2 en 1



Adaptador de Corriente



Rodillo suave



Caja fijada en la superficie de la pared
(incluye tornillos ×2,tacos ×2)

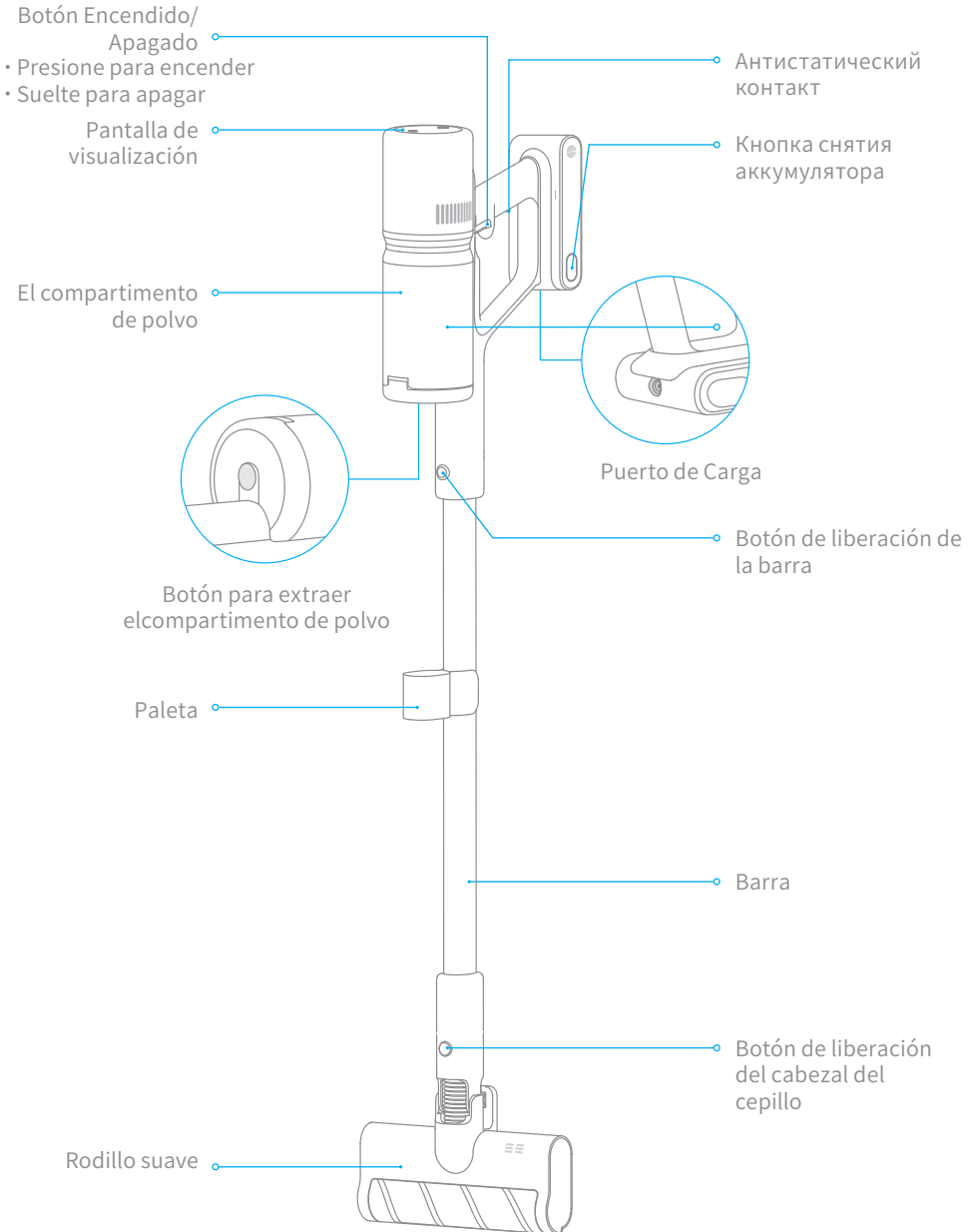


Paleta

Recordatorio: La especificación es sólo de referencia, la apariencia real debe basarse en el objeto.

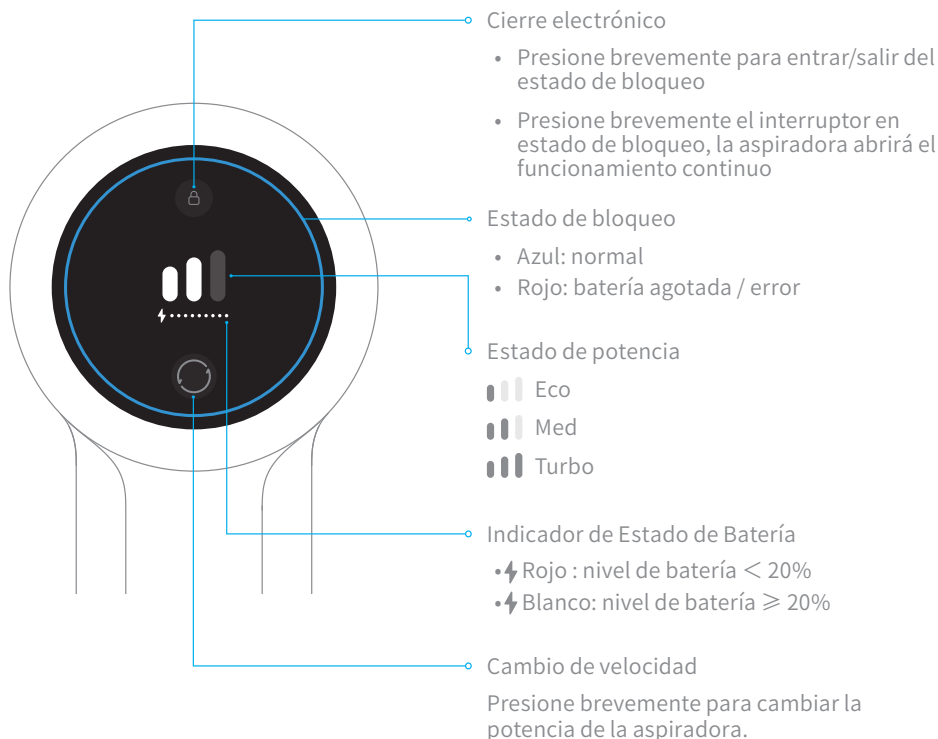
Introducción del producto

Nombres de las partes



Introducción del producto

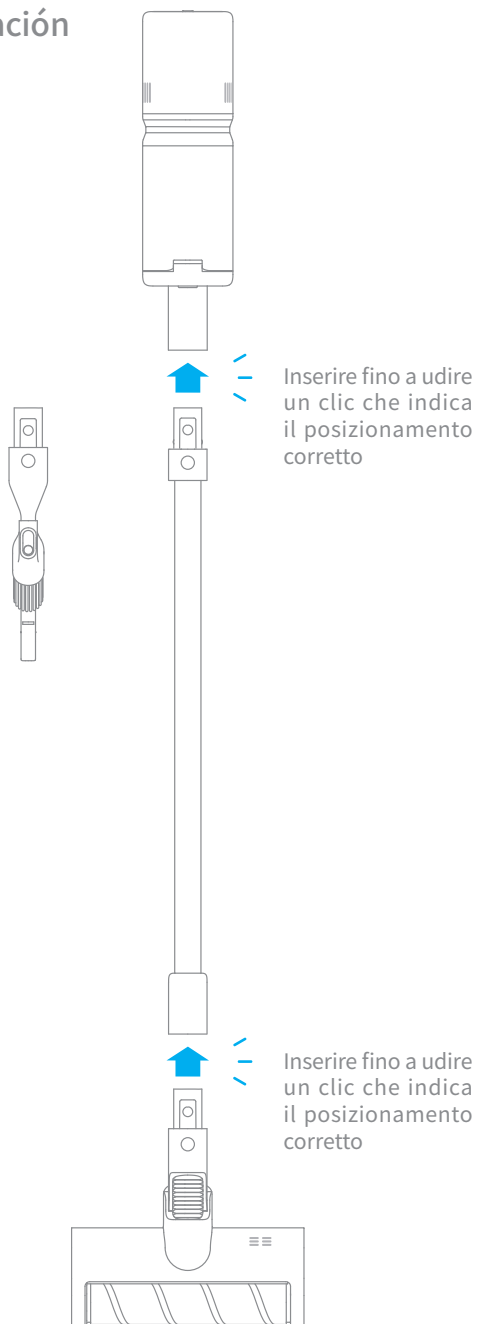
Pantalla de visualización



Nota: Si la aspiradora no funciona con normalidad, en la pantalla aparecerá un mensaje de error. Consulte la tabla siguiente para encontrar la solución al problema en función del mensaje de error.

Instalación

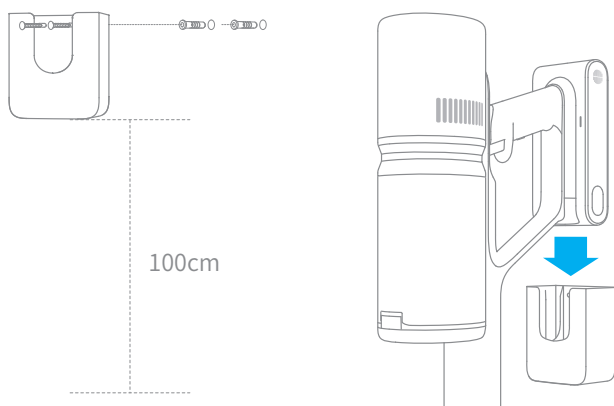
Diagrama de instalación
para accesorios y
aspiradora



Instalación de la caja fijada a la superficie de la pared

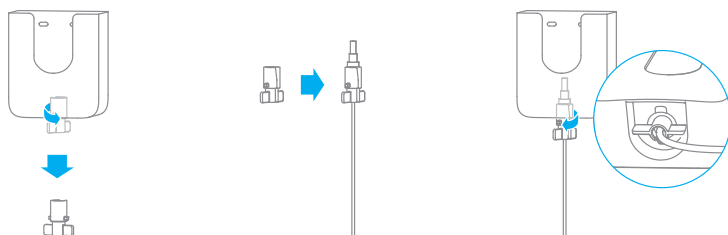
La caja fijada a la superficie de la pared debe estar ubicada en un lugar fresco y seco con una fuente de electricidad cercana para asegurar que no haya instalaciones como cables o tuberías directamente detrás del área de instalación.

1. Cuando instale la caja fijada a la superficie de la pared, por favor, mida primero la posición de 100 cm de altura sobre el suelo.
2. Use herramientas eléctricas con una broca de 8mm para perforar los agujeros, coloque el tubo de expansión en el agujero.
3. Alinee los agujeros de montaje de la caja fijada a la superficie de la pared con los agujeros de la pared y fíjela a la pared con tornillos.



Método para la conexión del conector adaptador y la caja

1. Retire la abrazadera móvil del fondo de la caja fija girando 90° en el sentido contrario a las agujas del reloj.
2. Enganche los cables de alimentación del adaptador en el extremo ranurado de la abrazadera.
3. Bloquee la abrazadera girando 90° en el sentido de las agujas del reloj.

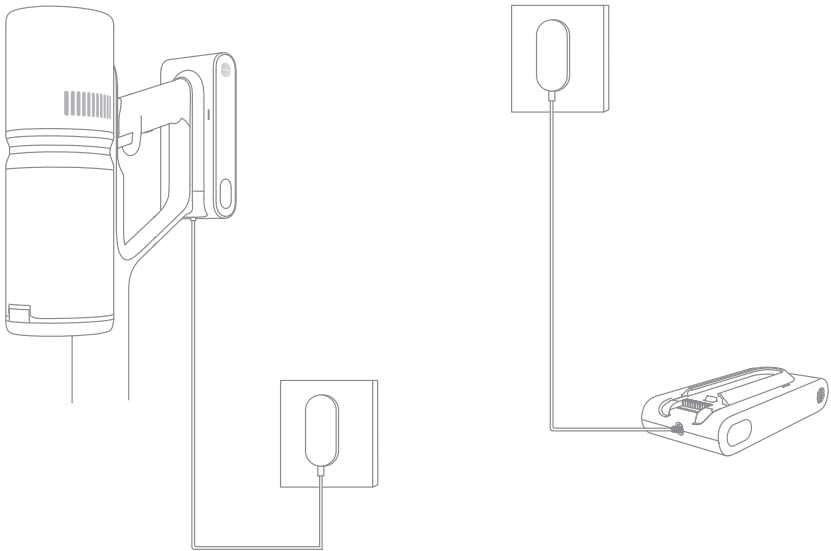


Carga

Modos de carga

Nota :

- El aspirador no se puede usar mientras se está cargando.
- Cargue completamente el aspirador antes de usarlo por primera vez. Este proceso durará alrededor de 2,5 horas.
- Si se aspira en modo turbo durante un período prolongado, la batería se calentará. Se recomienda dejar que el aspirador se enfríe durante 30 minutos antes de cargarlo de nuevo.



Pantalla de visualización

Indicador de Estado de Batería

- ⚡ Rojo : nivel de batería $< 20\%$
- ⚡ Blanco: nivel de batería $\geq 20\%$

Indicador de Bateria

los indicadores de batería parpadean y luego se mantienen iluminados en secuencia según el estado de la batería.

Nota: La pantalla se apagará si no se realiza ninguna operación durante más de 30 segundos.

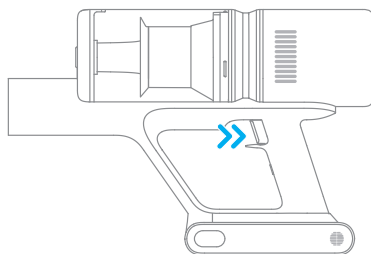


Modo de limpieza


El aspirador incluye dos modos de trabajo que se pueden seleccionar según sus necesidades de limpieza.

Modo 1: Modo de limpieza discontinua

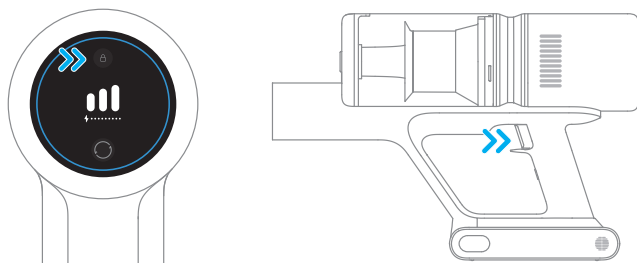
Mantenga pulsado el interruptor de la aspiradora para comenzar a funcionar y suéltelo para que se detenga.



Modo 2: Modo de limpieza continua (cierre electrónico)

Presione el botón  para cambiar al modo de Limpieza Continua, y el botón se iluminará. Luego suelte el interruptor encendido/apagado para dejar el aspirador en el modo de Limpieza Continua.

Use la función de bloqueo electrónico para liberar sus dedos y evitar el cansancio causado por mantener pulsado el interruptor.



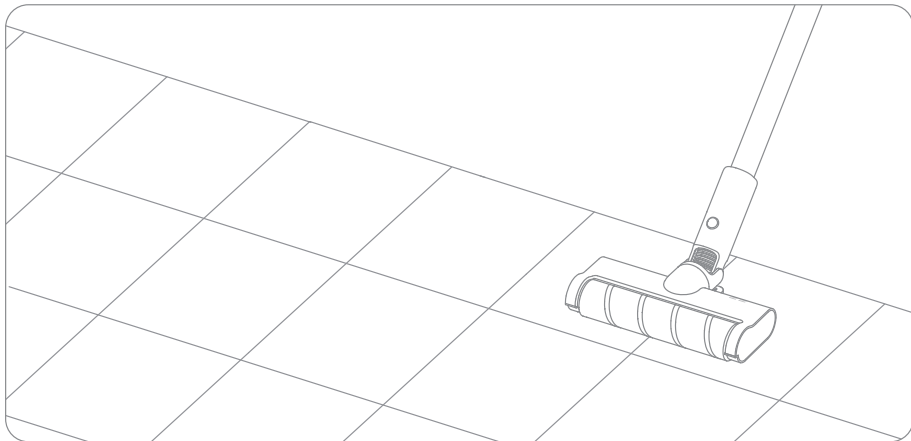
Nota:

- En este modo, puede pausar o comenzar de nuevo pulsando brevemente el interruptor. El modo de trabajo de la aspiradora no cambiará
- Vuelva a pulsar el bloqueo electrónico para salir del modo de limpieza continua.

Modo de Uso

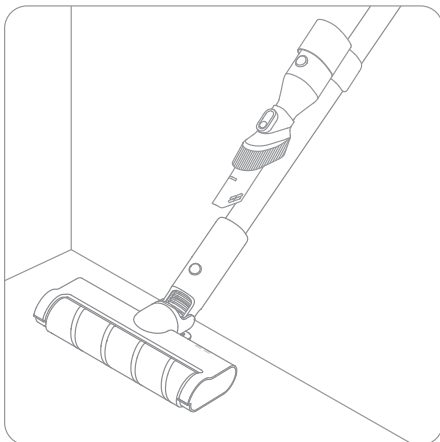
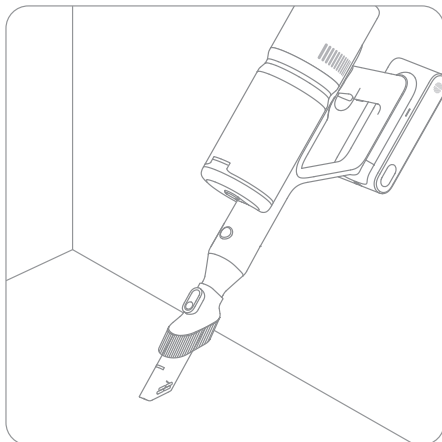
Uso de diferentes accesorios

Rodillo suave: adecuado para limpiar suelos duros como azulejos, baldosas, mármol, así como para grandes áreas de suciedad y residuos.



Cabeza de succión plana 2 en 1: adecuada para aspirar grietas, esquinas de puertas y ventanas, escaleras y otros lugares de difícil acceso.

Paleta: Cuando no se usa, la boquilla para grietas 2-en-1 se puede guardar con la paleta como se muestra.



Nota:

- Si alguna pieza giratoria se queda atascada, la aspiradora podría apagarse de forma automática. Extraiga los objetos extraños que se hayan quedado atascados y reanude el uso.
- Si la batería funciona a temperaturas demasiado elevadas, la aspiradora se apagará automáticamente. Espere a que la temperatura de la batería vuelva a ser normal y, a continuación, reanude el uso.

Consejos:

1. Utilice siempre piezas originales para evitar que se anule la garantía.
2. Si el aspirador no se va a utilizar durante un período prolongado, cárguelo completamente, desenchufe su adaptador de corriente y guárdelo en un ambiente fresco y de baja humedad, lejos de la luz solar directa. Para evitar la descarga excesiva de la batería, recargue el aspirador al menos una vez cada 3 meses.

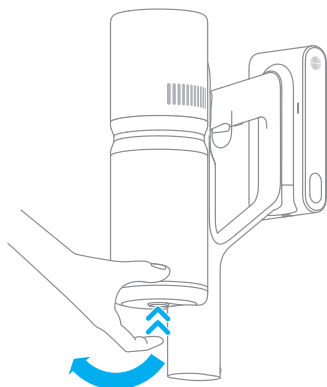
Limpieza del aspirador

Limpie el aspirador con un trapo seco y suave.

Limpieza del Compartimiento de Polvo y el Prefiltro

Antes de limpiar el compartimiento para el polvo, desconecte el adaptador y mantenga el interruptor de alimentación del aspirador en la posición de apagado.

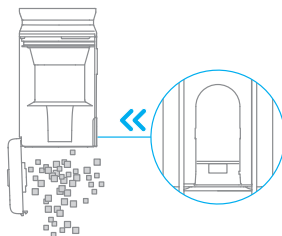
1. Presione la taza de polvo para quitar el fondo, y mantenga la taza de polvo en la dirección que se muestra en el gráfico del aspirador.



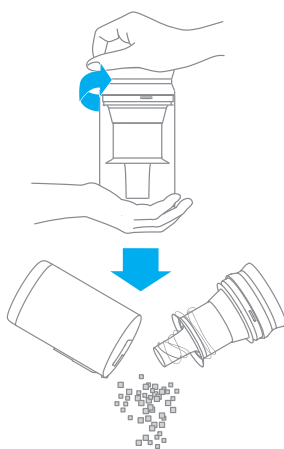
2. Vierta el polvo en el depósito de polvo.

Recordatorio: Se recomienda limpiarla luego de cada uso.

Método 1: presione el botón de liberación en la parte inferior del compartimiento.

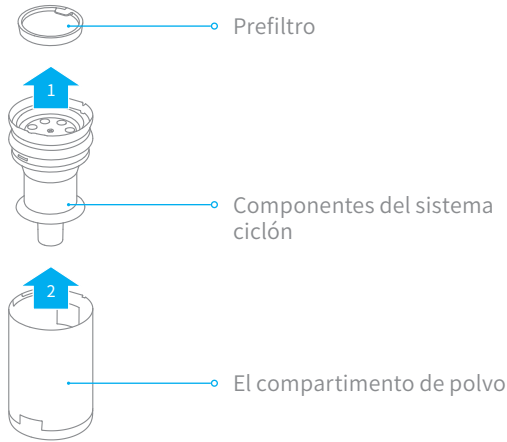


Método 2: sostenga la cubierta superior del compartimiento de polvo y retire el montaje ciclónico.

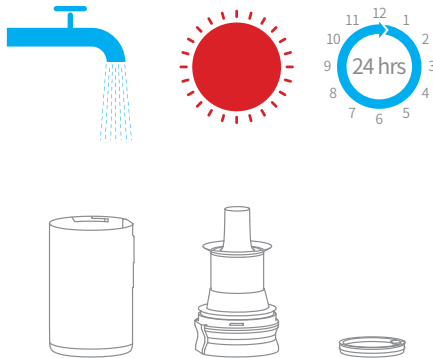


Cuidado y mantenimiento

3. Retire el prefiltro. Gire ligeramente el montaje ciclónico para sacarlo del compartimiento de polvo.



4. Enjuague con agua el prefiltro, el ciclón y el compartimiento de polvo hasta que estén limpios. Luego, ponga a un lado los componentes hasta que se sequen completamente, durante al menos 24 horas.



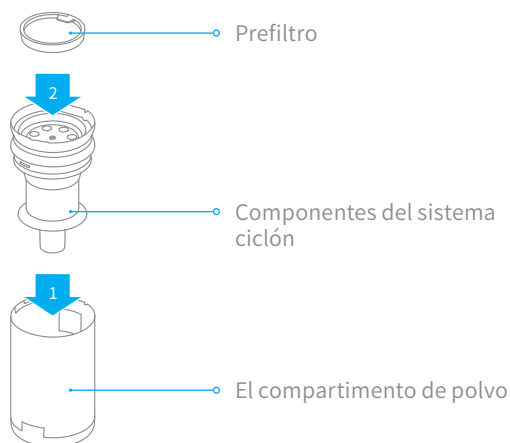
Nota:

- Se recomienda limpiar la copa para el polvo al menos una vez al mes.
- Se recomienda limpiar el sistema ciclónico y el prefiltro al menos cada 3 a 4 meses.

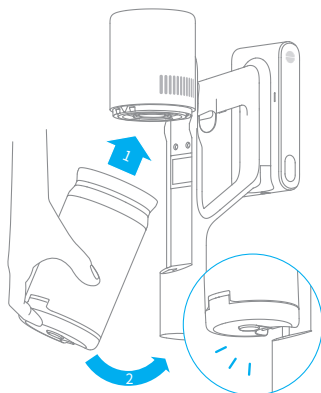
Instalación de los componentes para la taza de polvo

Nota: Por favor, asegúrese de que todos los filtros se hayan secado completamente antes de instalarlos.

1. Instale el montaje ciclónico y el prefiltro al compartimento de polvo.



2. Enganche la ranura de la tarjeta del borde de la copa del polvo con el tope del bloque convexo del receptor, empuje suavemente la copa del polvo hacia la parte inferior del receptor. El sonido de "clic" indicará que la instalación se ha realizado con éxito.



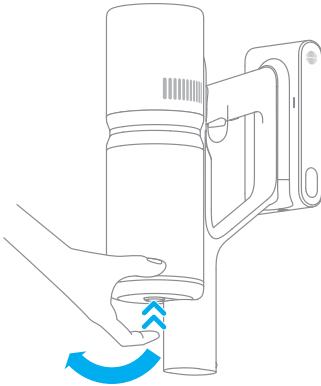
Inserire fino a udire un clic che indica il posizionamento corretto

Cuidado y mantenimiento

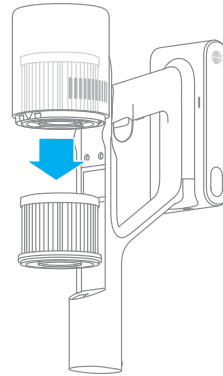
Limpieza del filtro

Se recomienda limpiar el filtro una vez cada 4 o 6 meses.

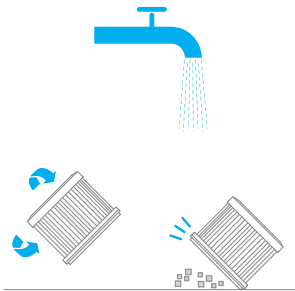
1. Extraiga el compartimento del polvo como se indica en la imagen.



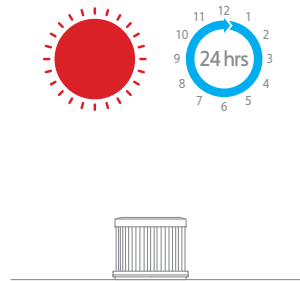
2. Extraiga el filtro de la aspiradora tirando hacia abajo, en la dirección que se muestra en la imagen.



3. Limpie el filtro con agua limpia. Asegúrese de girar el filtro 360° para quitar toda la suciedad del filtro. Golpee suavemente el filtro varias veces para extraer cualquier exceso de suciedad.



4. Deje secar el filtro durante, al menos, 24 horas.



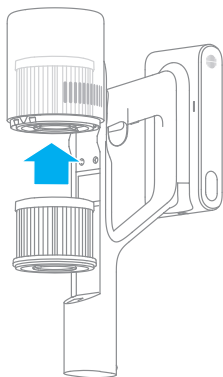
Nota :

- Utilice únicamente agua limpia para limpiar el filtro. No utilice detergentes.
- No intente limpiar el filtro con un cepillo ni con los dedos.

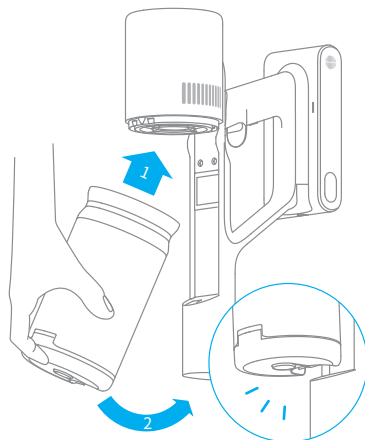
Cuidado y mantenimiento

Instalación del filtro

1. Inserte el filtro en la aspiradora y presione suavemente hacia abajo, como se indica en la imagen.



2. Vuelva a instalar el compartimento de polvo.



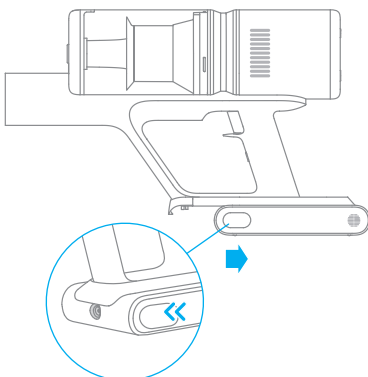
Pack de batería

Inserire fino a udire un clic che indica il posizionamento corretto

La aspiradora contiene un pack de batería de ion de litio recargable y extraíble que cuenta con un número limitado de ciclos de recarga. Tras un uso prolongado, el pack de batería dejará de poder realizar una carga. Si esto ocurre, significará que el pack de batería ha alcanzado el fin de su vida útil y deberá sustituirlo.

1. Pulse el botón de liberación del pack de batería y deslícelo hacia la derecha para sacarlo, como se muestra en la imagen.

2. Instale el nuevo pack de batería.

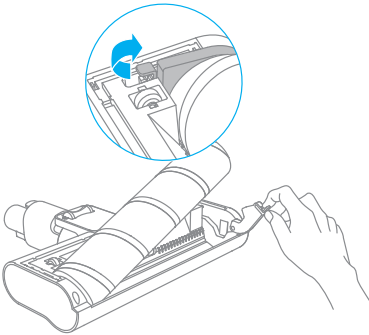


Cuidado y mantenimiento

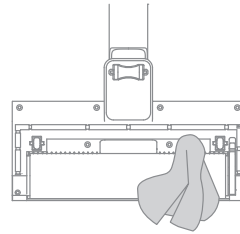
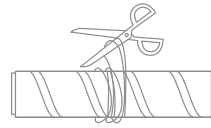
Limpeza de la barra de rodillos blandos

1. Presione el botón de desbloqueo de la cabeza de la barra colectora en la dirección de la flecha hasta que la tapa se abra, luego retire la cabeza de la barra colectora levantándola en la dirección indicada.

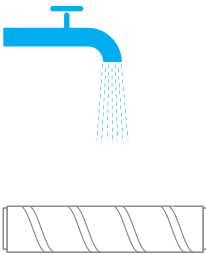
Nota: use herramientas pequeñas para abrir el bronche.



2. Use tijeras para cortar el cabello y las fibras pegadas en el cabezal del cepillo. Limpie el polvo de la muesca y la tapa transparente con un paño seco o papel absorbente.



3. Cuando esté sucio, enjuague el cabezal del cepillo con agua limpia hasta que esté limpio.



4. Mantenga el cabezal del cepillo en posición vertical al menos durante 24 horas hasta que se seque por completo.



Especificaciones

Aspiradora			
Modelo	VPD1	Tensión de carga	30 V===
Potencia nominal	350 W	Tensión nominal	25,2 V===
Tiempo de carga	Aproximadamente 2,5 horas	Capacidad nominal	2000 mAh
Rodillo suave			
Modelo	AVB11		
Potencia nominal	40 W		
Tensión nominal	25,2 V===		
Adaptador de Corriente			
Modelo	YLS0251B-E300080	Entrada nominal	100-240 V~50/60 Hz 0,8 A Max
Salida nominal	30 V===800 mA	Eficiencia activa media	88,53 %
Eficiencia en carga baja (10%)	78,66 %	Consumo de energía sin carga	0,09 W
Pack de batería de ion de litio recargable			
Modelo	P2013A-7S1P-SCA	Capacidad nominal	2000 mAh
Tensión nominal	25,2 V===	Energía	45,36 Wh

El pack de batería de ion de litio contiene sustancias perjudiciales para el medio ambiente. Antes de desechar la aspiradora, quite el pack de batería y deséchelo o recíclelo siguiendo las leyes y reglamentos locales del país o región en el que se use.





Preguntas frecuentes

Si el aspirador no funciona correctamente, consulte la siguiente tabla de posibles soluciones.

Errores	Causas posibles	Soluciones
El aspirador no funciona	El aspirador no tiene batería o está bajo de energía.	Cargue completamente el aspirador y luego reanude el uso.
	Modo de protección contra sobrecalentamiento activado por un bloqueo.	Espere hasta que el aspirador se enfríe, luego reactívelo.
	La abertura de succión o el paso del aire están bloqueados.	Limpie cualquier obstrucción de la abertura de succión o del paso del aire.
Fuerza de succión débil	El depósito de polvo está lleno y/o el conjunto del filtro está obstruido.	Vacíe el depósito del polvo y limpie el conjunto del filtro.
	El accesorio ensamblado está bloqueada.	Despeje cualquier bloqueo en el accesorio ensamblado.
El motor hace un ruido extraño	La abertura de succión principal o la barra de extensión están bloqueadas.	Limpie cualquier obstrucción en la abertura de succión o la barra de extensión.
El primer indicador parpadea en rojo después de encender el aspirador.	El adaptador no está conectado al aspirador.	Asegúrese de que el adaptador de corriente esté conectado correctamente.
	La batería está totalmente cargada y cambió al modo de suspensión.	Se puede usar con normalidad.
	Si el problema persiste después de descartar las dos posibilidades anteriores,	Póngase en contacto con el servicio de soporte para arreglarlo.
Se carga lentamente	La temperatura de la batería es demasiado baja o demasiado alta.	Espere hasta que la temperatura de la batería se normalice, luego reanude el uso.

Indicación de fallo

Cuando la aspiradora no funcione correctamente, el código de error se mostrará en la pantalla, por favor, consulte la siguiente tabla para la solución.

Icono del error	Causas de la falla	Soluciones
	Limpiar el cepillo	Consulte la sección del manual de mantenimiento [Rodillo Suave] para limpiar el material de fibra y los pelos envueltos en el cepillo de rodillo.
	Conducto de aire bloqueado	Compruebe si el compartimento para polvo, la varilla de extensión y la boquilla del rodillo suave están bloqueados.
	Error	Por favor, contacte con nuestro servicio de soporte para realizar el mantenimiento.
	Sobrecalentamiento	Por favor, espere a que se normalice la temperatura del motor para continuar usándolo

Información sobre RAEE



Todos los productos que llevan este símbolo son residuos de aparatos eléctricos y electrónicos (RAEE según la directiva 2012/19/UE) que no deben mezclarse con residuos domésticos sin clasificar. En su lugar, debe proteger la salud humana y el medio ambiente entregando sus equipos de desecho a un punto de recogida para el reciclaje de residuos de equipos eléctricos y electrónicos, designado por el gobierno o las autoridades locales. La eliminación y el reciclado correctos ayudarán a evitar posibles consecuencias negativas para el medio ambiente y la salud humana. Póngase en contacto con el instalador o con las autoridades locales para obtener más información sobre la ubicación y las condiciones de dichos puntos de recogida.

Инструкции по технике безопасности

Во избежание травм из-за случайного поражения электрическим током или воспламенения в результате неправильной эксплуатации изделия перед началом использования внимательно прочитайте руководство по эксплуатации.

Предупреждение

- Данное изделие не должно использоваться людьми с ограниченными физическими или интеллектуальными возможностями и нарушениями в работе органов чувств, а также лицами, не имеющими соответствующего опыта и знаний (включая детей), за исключением случаев, когда изделие используется под наблюдением или руководством ответственного лица для гарантии безопасности.
- Детям строго запрещено использовать данное изделие по назначению или в качестве игрушки. Будьте крайне осторожны во время использования изделия вблизи детей. Детям строго запрещено чистить или ремонтировать изделие без присутствия взрослых.
- Строго запрещено использовать изделие на открытом воздухе или влажной поверхности. Используйте изделие только на сухой поверхности внутри помещения, не прикасайтесь к штепсельной вилке или любой другой части изделия мокрыми руками.
- Во избежание воспламенений, взрывов или травм проверьте литиевый аккумулятор и зарядное устройство перед началом использования на наличие повреждений. Запрещено использовать пылесос, если литиевая батарея или зарядное устройство повреждены.
- Щетка с мягким валиком, электрическая щетка для удаления насекомых, аккумулятор, удлинитель и основной блок пылесоса являются токопроводящими элементами. Не погружайте эти элементы в воду или другие жидкости во время очистки. После ежедневной очистки убедитесь, что все фильтрующие устройства полностью просушены.
- Во время очистки щетка с мягким валиком выключите основной блок пылесоса, чтобы вращающаяся роликовая щетка не нанесла травму пользователю. Строго запрещено использовать изделие без установки щетка с мягким валиком, контейнера для пыли и фильтра.
- Используйте только оригинальное зарядное устройство, не используйте неофициальный адаптер, так как это может привести к возгоранию литиевого аккумулятора.
- Не используйте изделие для удаления воды, легковоспламеняющихся или взрывоопасных жидкостей, таких как бензин и т.д. Не используйте изделие для удаление токсичных растворов, таких как хлорный отбеливатель, аммиак, чистящие средства для канализации, или других жидкостей.
- Запрещено использовать пылесос для очистки извести, цемента, гипсового порошка, каминной золы и пепла, а также для дыма или зажигательных средств, таких как угли, окурки или спички.
- Перед началом эксплуатации проверьте зону для уборки. В случае обнаружения

- крупных листов бумаги, бумажных шариков, пластиковых или острых предметов (например, стекло, гвозди, винты, монеты и т.д.), а также элементов крупнее диаметра трубочки для напитков удалите их, чтобы избежать засорения всасывающей трубы и нарушения нормальной работы изделия.
- Держите воздушное отверстие и движущиеся части изделия подальше от волос, просторной одежды, пальцев и других частей тела. Не направляйте удлинитель и детали в сторону глаз, ушей или рта.
- Запрещено ставить какие-либо предметы на всасывающее отверстие. Не используйте пылесос, если всасывающее отверстие засорилось. Наличие больших кусков пыли, ваты, волос и других предметов может привести к ослаблению воздушного потока. Своевременно проводите очистку.
- Не прислоняйте пылесос к неустойчивым предметам, таким как стул или обеденный стол, чтобы не повредить пылесос и не травмировать пользователя в результате падения пылесоса. При повреждении или неисправности пылесоса в результате падения, обратитесь к официальному сервисному представителю. Не разбирайте изделие самостоятельно.
- Заряжайте батарею в строгом соответствии с инструкциями. В случае неправильной зарядки и превышении указанного диапазона температуры, батарея может быть повреждена.
- Извлеките штепсельную вилку перед техническим обслуживанием или ремонтом, а также в случае продолжительного хранения изделия.
- Будьте предельно внимательны во время использования изделия для уборки лестницы.
- Не проводите сборку, не заряжайте и не используйте данное изделие на улице, в ванной комнате или вблизи бассейна.
- Предупреждение об опасности возгорания: не наносите какие-либо ароматизаторы на фильтр данного изделия - химические вещества, содержащиеся в таких изделиях являются легковоспламеняющимися и могут привести к возгоранию.
- Данное изделие подходит исключительно для домашнего использования.
- Используйте только оригинальное зарядное устройство (модель YLS0251B-E300080). Несоблюдение этого правила может привести к возгоранию литиевого аккумулятора.
- Запрещается использовать и хранить изделие в экстремальных температурных условиях (ниже 0°C или выше 40°C). Используйте оригинальный адаптер питания и проводите подзарядку при температуре от 0°C до 40°C.
- Используйте только аккумуляторы модели P2013A-7S1P-SCA. Несоблюдение этого правила может привести к возгоранию литиевого аккумулятора.
- Данное устройство предназначено только для домашнего использования. Меры предосторожности при хранении и транспортировке:
 - Не транспортируйте робот-пылесос при температуре выше 50°C или ниже -20°C.
 - В течение короткого периода, например одного месяца, пылесос рекомендуется хранить при температуре от -20 до 50°C и относительной влажности 60% ± 5%. В течение длительного времени храните пылесос при температуре окружающей среды от 0°C до 25°C.

- Утилизируйте пылесос надлежащим образом. Когда его срок службы подойдет к концу, утилизируйте пылесос в соответствии с местными законами и правилами страны или региона, в котором он используется. Дату производства см. на этикетке со штрих-кодом.

Мы, компания Dreame Trading (Tianjin) Co., Ltd., настоящим заявляем, что данное изделие соответствует требованиям всех действующих директив ЕС и европейских стандартов со всеми изменениями и дополнениями. Полный текст декларации о соответствии нормативным требованиям ЕС доступен по адресу: www.dreame-technology.com

Подробное электронное руководство см. по адресу <https://www.dreame-technology.com/pages/user-manuals-and-faqs>

Аксессуары



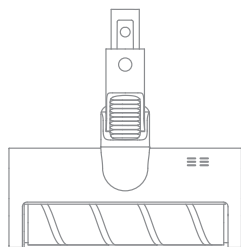
Удлинительная
трубка



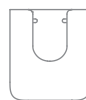
Щелевая насадка "2 в 1"



Адаптер питания



Щетка с мягким валиком



Настенный фиксатор
(включая 2 винта и 2 розетки)

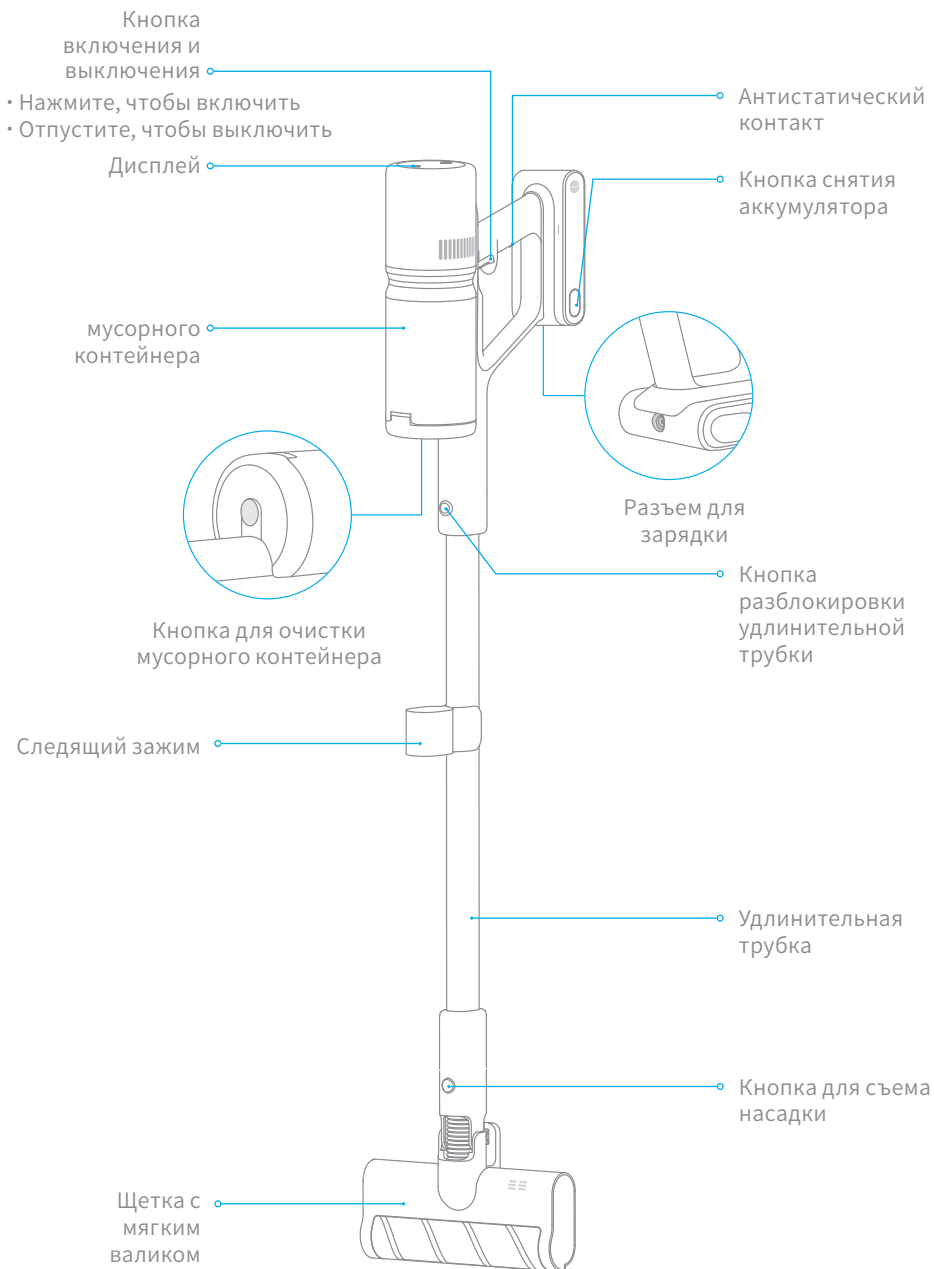


Следящий зажим

Напоминание. изображения в данной инструкции только для справки. Пожалуйста, ориентируйтесь на реальный внешний вид.

Обзор устройства

Наименования деталей



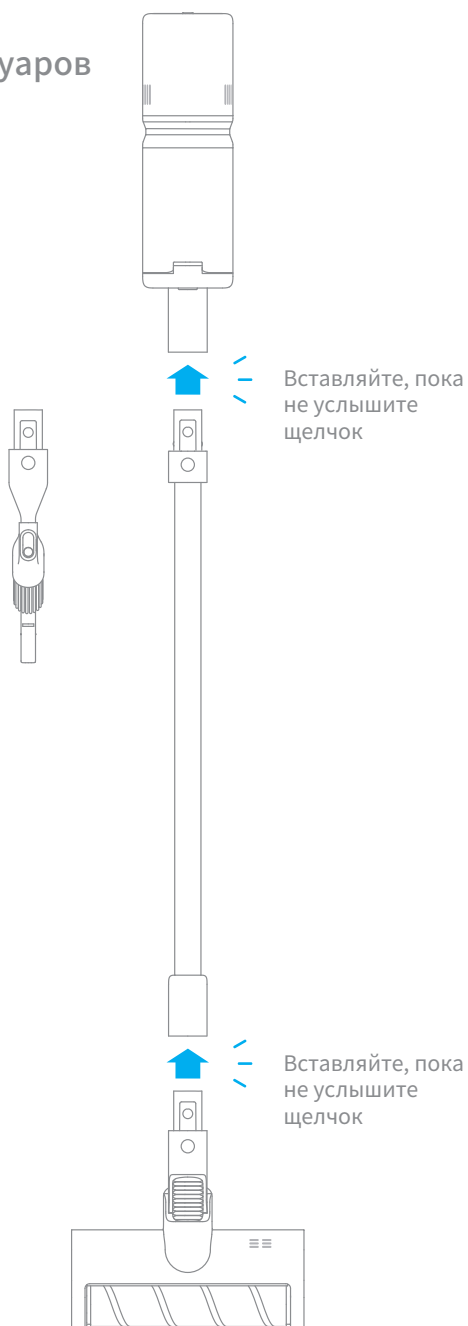
Обзор устройства

Дисплей



Примечание. В случае неисправности работы пылесоса на дисплее появится информация о проблеме. Внимательно прочитайте указанную информацию и изучите таблицу неисправностей для ее устранения.

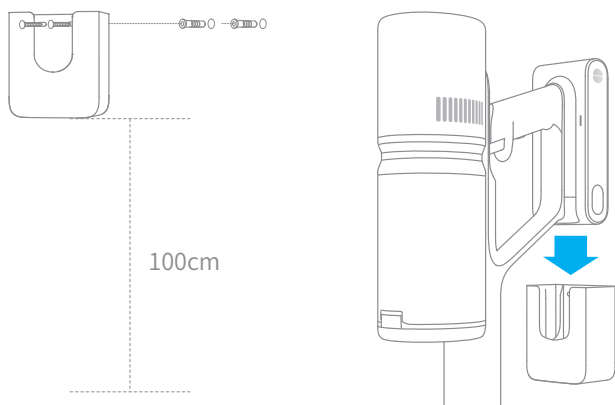
Схема установки пылесоса и аксессуаров



Установка настенного фиксатора

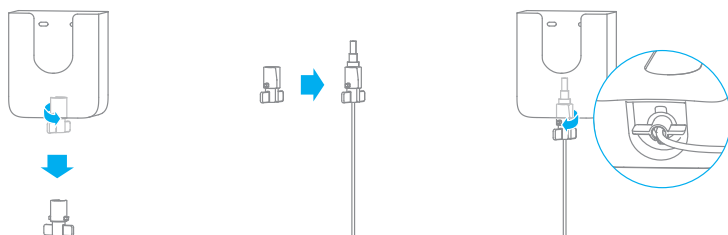
Место для размещения настенного фиксатора следует выбирать так, чтобы он находился в прохладном темном месте вблизи источника питания. Убедитесь, что перед и за зоной монтажа отсутствуют электрокабели, трубы и другие объекты.

1. Пожалуйста, отмерьте место на высоте 100 см от пола при установке настенного фиксатора.
2. С помощью сверла 8 мм просверлите отверстие, используя электрический инструмент, и установите дюбель в просверленное отверстие.
3. Совместите монтажное отверстие настенного фиксатора и отверстие, просверленное в стене, и зафиксируйте фиксатор на стене с помощью болтов.



Способ соединения гнезда адаптера и настенного фиксатора

1. Снимите подвижный зажим в основании фиксатора, повернув его под 90° против часовой стрелки.
2. Вставьте кабель питания адаптера через паз зажима.
3. Зафиксируйте зажим, повернув его под 90° по часовой стрелке.

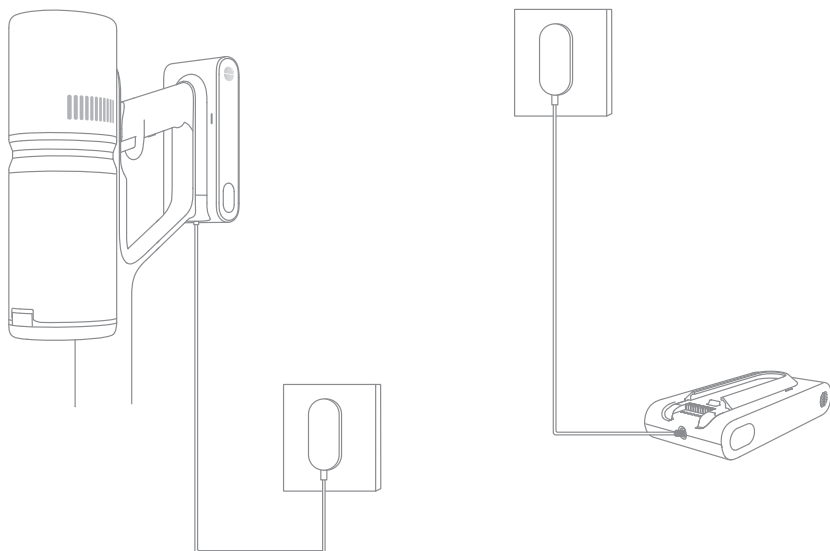


Зарядка

Режимы зарядки

Примечание.

- Не используйте пылесос во время зарядки.
- Перед первым использованием полностью зарядите пылесос. Это займет около 2,5 часов.
- После безостановочной уборки в режиме Турбо аккумулятор может сильно нагреться, поэтому пылесосу может потребоваться больше времени на подзарядку. Рекомендуется остудить робот в течение 30 минут и затем начать подзарядку.



Дисплей

Индикатор статуса батареи

- Красный ⚡: уровень заряда $< 20\%$
- Белый ⚡: уровень заряда $\geq 20\%$

Индикатор батареи

Во время зарядки индикаторы батареи меняются с мигающего на немигающий яркий в зависимости от состояния батареи.

Примечание. Если дисплей не используется, он погаснет через 30 секунд.

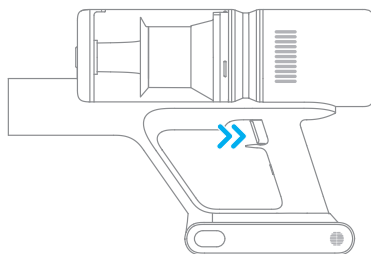


Режим уборки


Есть два режима работы пылесоса, которые можно выбрать в соответствии с вашими потребностями.

Режим 1: режим прерывистой уборки

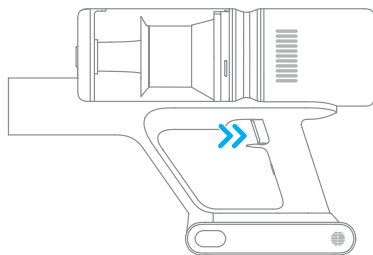
Нажмите и удерживайте переключатель пылесоса, чтобы начать работу, и отпустите его, чтобы немедленно остановить.



Режим 2: режим непрерывной уборки (электронная блокировка)

Нажмите на кнопку , чтобы она загорелась и пылесос переключился в режим Непрерывная уборка. Затем нажмите на кнопку ВКЛ/ВЫКЛ, чтобы пылесос заработал в режиме Непрерывная уборка.

Используйте электронную блокировку, чтобы освободить пальцы и избежать их усталости, вызванной удержанием переключателя.

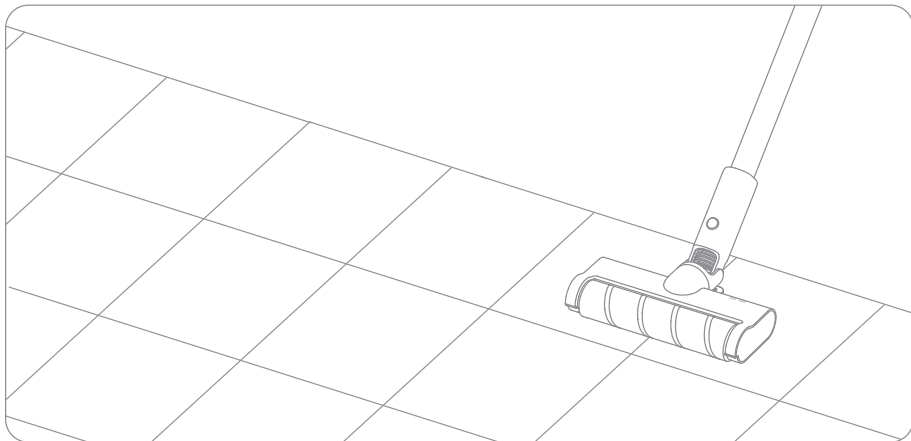


Примечание.

- В этом режиме, однократно нажмите переключатель, чтобы приостановить работу или начать снова, режим работы пылесоса не изменится.
- Нажмите на электронную блокировку еще раз, чтобы выйти из режима непрерывной уборки.

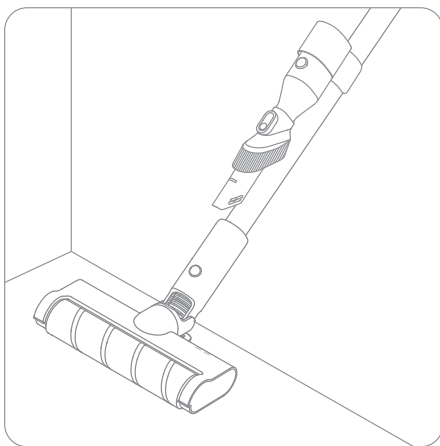
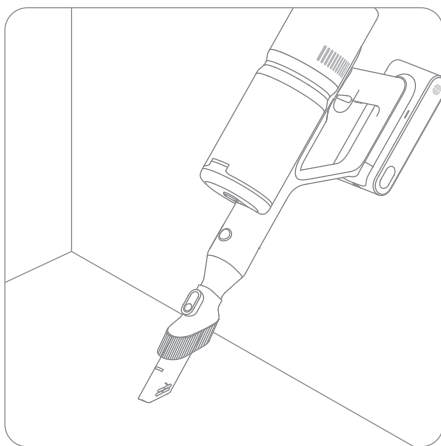
Использование разных насадок

Щетка с мягким валиком: подходит для уборки твердых поверхностей, таких как пол, плитка, мрамор, а также для уборки крупных кусков грязи и мусора. Кроме того, щетку с мягким валиком можно прикрепить прямо к пылесосу.



Щелевая насадка "2 в 1": подходит для уборки в узких щелях, углах дверей и окон, на лестницах и в других труднодоступных местах.

Слепящий зажим: Если насадка для щелей «2 в 1» не используется, ее можно хранить на крепежном зажиме, как показано на рисунке.



Примечание.

- В случае заклинивания какой-либо вращающейся детали пылесос может автоматически отключиться. Уберите застрявшие посторонние предметы и продолжите уборку.
- В случае перегрева аккумулятора пылесос автоматически отключится. пока температура аккумулятора нормализуется, а затем продолжите уборку.

Советы

1. Используйте оригинальные запчасти, иначе гарантия может быть аннулирована.
2. Если пылесос не будет использоваться в течение длительного периода времени, отключите адаптер питания от розетки при полной зарядке и храните его в прохладной среде с низким уровнем влажности вдали от прямых солнечных лучей. Чтобы избежать повреждения аккумулятора из-за чрезмерной разрядки, подзаряжайте пылесос не реже одного раза в 3 месяца.

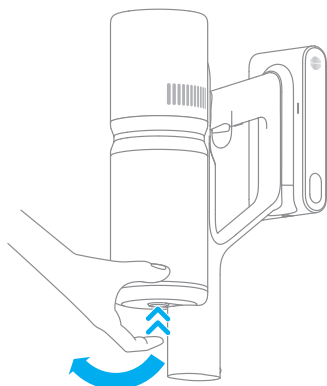
Чистка пылесоса

Протрите пылесос мягкой сухой тканью.

Очистка мусорного контейнера и фильтра предварительной очистки

Отсоедините адаптер питания и переключите выключатель питания пылесоса в положение "Выкл."

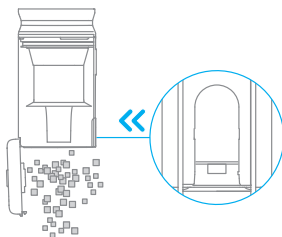
1. Нажмите кнопку, отсоединяющую контейнер для пыли, возьмитесь за контейнер и под наклоном отсоедините от основного устройства, придерживаясь направления, указанного на изображении.



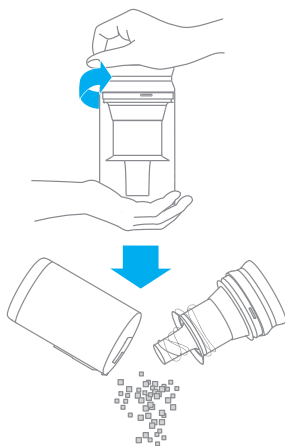
2. Высыпьте пыль из контейнера.

Напоминание: рекомендуем очищать после каждого использования.

Способ 1. Разблокируйте кнопку в нижней части контейнера.

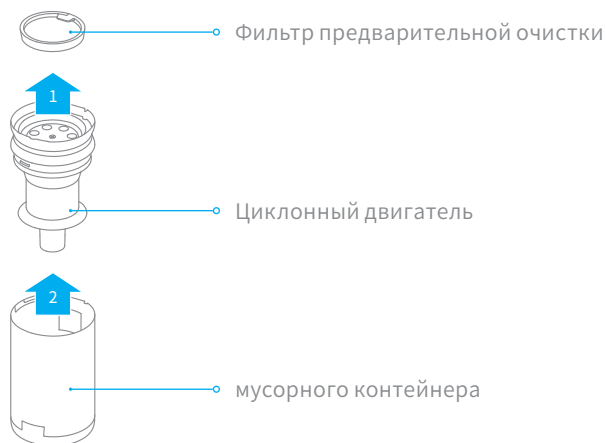


Способ 2. Зажмите верхнюю крышку мусорного контейнера и снимите циклонный блок.

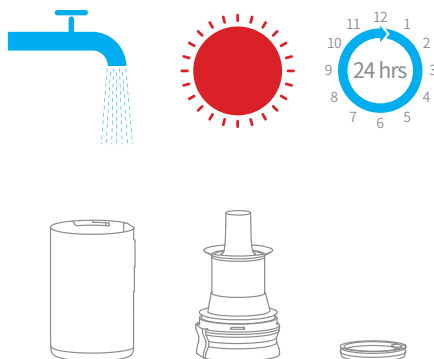


Уход и техническое обслуживание

3. Удалите фильтр предварительной очистки. Аккуратно поверните циклонный блок, чтобы вытащить его из мусорного контейнера.



4. Тщательно промойте фильтр предварительной очистки, циклонный блок и контейнер для пыли водой, а затем отложите минимум на 24 часа для полной просушки.



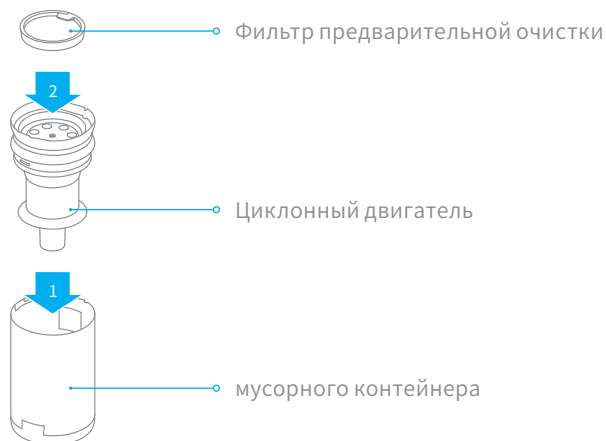
Примечание.

- Рекомендуем мыть контейнер для пыли не реже раза в месяц.
- Рекомендуется выполнять очистку циклонной системы и фильтра предварительной очистки минимум раз в 3-4 месяца.

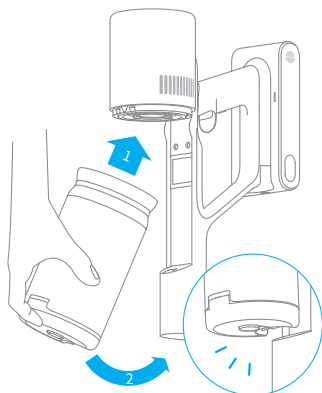
Установка контейнера для пыли

Примечание. Пожалуйста, перед установкой фильтров убедитесь, что они полностью высохли.

1. Установите циклонный блок и фильтр предварительной очистки обратно в мусорный контейнер.



2. Защелкните зажимы по краям контейнера для пыли на ограничивающем выступе основного устройства и вставьте контейнер в основное устройство, слегка нажав на него. Клацающий звук указывает на успешную установку.



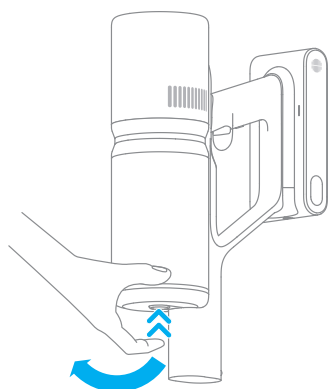
Вставляйте, пока не услышите щелчок

Уход и техническое обслуживание

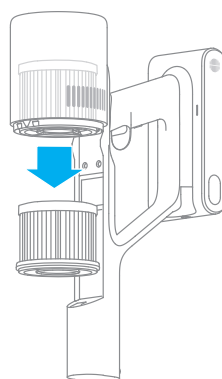
Очистка фильтра

Рекомендуется очищать фильтр каждые 4–6 месяцев.

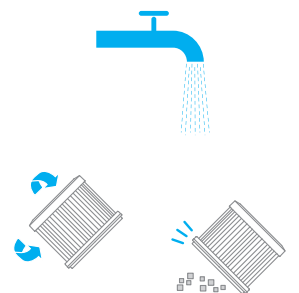
1. Извлеките контейнер для пыли так, как показано на рисунке.



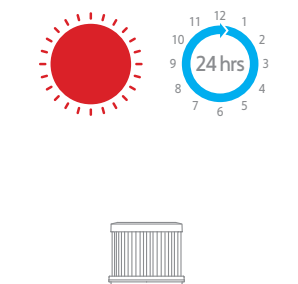
2. Достаньте фильтр из пылесоса движением вниз, как показано на рисунке.



3. Промойте фильтр чистой водой, поворачивая фильтр на 360°, чтобы полностью удалить накопившуюся в нем пыль. Несколько раз слегка постучите по фильтру, чтобы убрать избыток грязи.



4. Просушите фильтр в течение как минимум 24 часов.

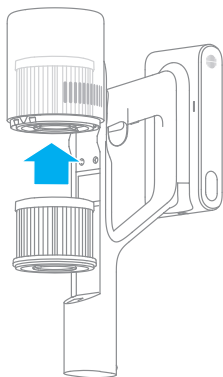


Примечание.

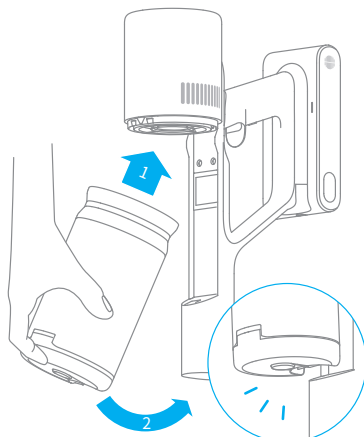
- Промывайте фильтр только чистой водой. Не используйте чистящие средства.
- Не очищайте фильтр щеткой или пальцами.

Установка фильтра

1. Вставьте фильтр в пылесос и слегка нажмите на него, как показано на рисунке.



2. Установите контейнер для пыли на место.



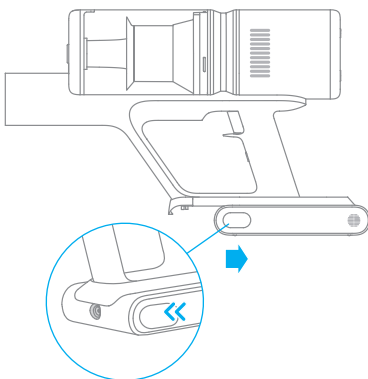
Вставляйте, пока не услышите щелчок

Аккумулятор

Пылесос содержит съемный литий-ионный аккумулятор с ограниченным количеством циклов зарядки. После продолжительного использования аккумулятор может перестать держать заряд. Это означает, что срок службы аккумулятора подошел к концу и его требуется заменить.

1. Нажмите кнопку снятия аккумулятора и сдвиньте аккумулятор вправо, как показано на рисунке, чтобы снять его.

2. Вставьте новый аккумулятор.

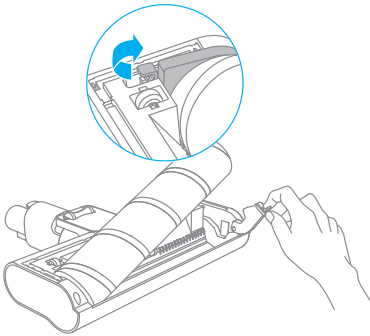


Уход и ремонт

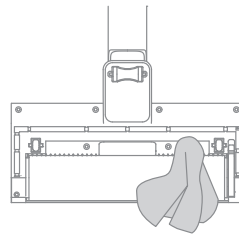
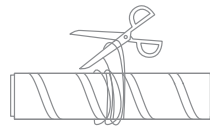
Очистка щетки с мягким валиком

1. Нажмите кнопку извлечения головки щетки в указанном стрелкой направлении и удерживайте, пока крышка головки щетки не откроется, затем снимите ее, подняв в указанном направлении.

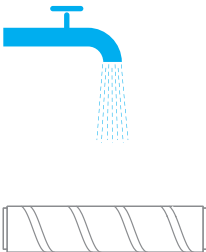
Примечание. Отодвиньте зажимы с помощью ручного инструмента.



2. Используйте ножницы, чтобы отрезать волосы и волокна, которые прилипают к головке щетки. Вытрите пыль из выемки и прозрачной крышки сухой тканью или бумажным полотенцем.



3. Если она загрязнена, промойте головку щетки чистой водой до тех пор, пока она не станет чистой.



4. Поставьте головку щетки вертикально как минимум на 24 часа, пока она полностью не высохнет.



Технические характеристики

Вакуумный пылесос			
Модель	VPD1	Напряжение при зарядке	30 В ⁼⁼⁼
Номинальная мощность	350 Вт	Номинальное напряжение	25,2 В ⁼⁼⁼
Время зарядки	Около 2,5 ч	Расчетная емкость	2000 мА·ч
Щетка с мягким валиком			
Модель	AVB11		
Номинальная мощность	40 Вт		
Номинальное напряжение	25,2 В ⁼⁼⁼		
Адаптер питания			
Модель	YLS0251B-E300080	Вход	100–240 В~ 50/60 Гц 0,8 А Макс
Выход	30 В ⁼⁼⁼ 800 мА	Средний КПД в активном состоянии	88,53 %
КПД при низкой нагрузке (10 %)	78,66 %	Потребляемая мощность без нагрузки	0,09 Вт
Перезаряжаемый литий-ионный аккумулятор			
Модель	P2013A-7S1P-SCA	Номинальная емкость	2000 мА·ч
Расчетное напряжение	25,2 В ⁼⁼⁼	Энергия	45,36 Вт·ч

Литий-ионный аккумулятор содержит вещества, представляющие опасность для окружающей среды. Перед утилизацией пылесоса сначала выньте аккумулятор и утилизируйте или сдайте его на переработку в соответствии с местными законами и правилами страны или региона эксплуатации.

Часто задаваемые вопросы

Если пылесос не работает должным образом, см. приведенную ниже таблицу устранения неполадок.

Ошибки	Возможные причины	Решения
Пылесос не работает	Пылесос разряжен или имеет низкий уровень заряда аккумулятора.	Полностью зарядите пылесос, а затем продолжите использование.
	Режим защиты от перегрева, вызванный блокировкой.	Подождите, пока пылесос остынет, а затем повторно активируйте его.
	Заблокировано отверстие для всасывания или вентиляционный канал.	Очистите отверстие для всасывания или вентиляционный канал от мусора.
Слабая мощность всасывания	Отсек для пыли заполнен или засорен блок фильтра.	Опустошите отсек для пыли и очистите блок фильтра.
	Насадка заблокирована.	Очистите насадку от мусора.
Двигатель издает странный шум	Основное отверстие для всасывания или шланг заблокированы.	Очистите основное отверстие для всасывания или шланг от мусора.
Индикатор состояния аккумулятора не горит во время зарядки	Адаптер не подключен к пылесосу.	Убедитесь, что адаптер питания подключен правильно.
	Аккумулятор полностью заряжен и перешел в спящий режим.	Устройство можно использовать.
	Если проблема не устраняется после исключения двух вышеупомянутых возможных причин,	Обратитесь за помощью в отдел послепродажного обслуживания.

Устройство заряжается медленно	Слишком низкая или слишком высокая температура аккумулятора.	Подождите, пока температура аккумулятора нормализуется, а затем продолжите использование.
--------------------------------	--	---

Оповещение о неполадке

Напоминание: если пылесос не может нормально работать, на дисплее отобразится код неполадки, варианты решения см. в таблице ниже.

Значок неисправности	Причина неполадки	Решения
	Очистить щетку	обратитесь к разделу руководства по техническому обслуживанию [Сопло мягкого ролика], чтобы очистить волокнистый материал и волосы, намотанные на щетку
	Воздуховод заблокирован	проверьте, не заблокированы ли пылесборник, удлинитель и сопло мягкого ролика.
	ошибка	пожалуйста, свяжитесь с нашим сервисом для устранения проблемы.
	Перегрев	подождите и продолжайте использовать после того, как температура двигателя ста.

Информация об утилизации и переработке отходов электрического и



электронного оборудования Все изделия, обозначенные символом раздельного сбора отработанного электрического и электронного оборудования (WEEE, директива 2012/19/EU), следует утилизировать отдельно от несортируемых бытовых отходов. С целью охраны здоровья и защиты окружающей среды такое оборудование

необходимо сдавать на переработку в специальные пункты приема электрического и электронного оборудования, определенные правительством или местными органами власти. Правильная утилизация и переработка помогут предотвратить возможные негативные последствия для окружающей среды и здоровья человека. Чтобы узнать, где находятся такие пункты сбора и как они работают, обратитесь в компанию, занимающуюся установкой оборудования, или в местные органы власти.

Aby zapobiec wypadkom, w tym porażeniu prądem elektrycznym lub pożarowi spowodowanemu niewłaściwym użytkowaniem, przed użyciem należy zachować niniejszą instrukcję i zachować ją do wykorzystania w przyszłości.

Ostrzeżenie

- Z tego produktu mogą korzystać dzieci w wieku od 8 lat oraz osoby z deficytami fizycznymi, sensorycznymi, intelektualnymi lub o ograniczonym doświadczeniu lub wiedzą wyłącznie pod nadzorem rodzica lub innej osoby dorosłej, aby zapewnić bezpieczne użytkowanie i uniknąć wszelkich zagrożeń. Pielęgnacja i konserwacja urządzenia nie mogą być wykonywane przez dzieci bez nadzoru osoby dorosłej.
- Odkurzacze nie jest zabawką. Dzieci nie powinny bawić się ani obsługiwać tego produktu. Należy zachować ostrożność podczas używania odkurzacza w pobliżu dzieci. Nie pozwalaj dzieciom na czyszczenie lub konserwację odkurzacza, chyba że pod nadzorem rodzica lub osoby dorosłej.
- Nie używaj odkurzacza na zewnątrz ani na mokrych powierzchniach. Należy używać odkurzacza tylko na suchych powierzchniach, wewnątrz pomieszczeń. Nie należy dotykać wtyczki ani żadnej części odkurzacza mokrymi rękami.
- Aby zmniejszyć ryzyko pożaru, wybuchu lub obrażeń, przed użyciem upewnij się, że bateria litowa i zasilacz są nieuszkodzone. Nie używaj odkurzacza, jeśli bateria litowa lub ładowarka są uszkodzone.
- Miękka szczotka rolkowa, bateria, metalowy sworzeń złącza i odkurzacze są przewodzące elektrycznie i nie powinny być zanurzane w wodzie lub innej cieczy. Należy upewnić się, że po oczyszczeniu wszystkie filtry są całkowicie osuszone.
- Należy zapobiegać urazom spowodowanym przez ruchome części. Przed czyszczeniem miękkiej szczotki rolkowej należy wyłączyć odkurzacze. Miękka szczotka rolkowa, pojemnik na kurz i filtr muszą być prawidłowo zamontowane przed użyciem odkurzacza.
- Należy używać wyłącznie oryginalnego zasilacza. Nigdy nie używaj nieoryginalnego zasilacza.
- Nie należy używać odkurzacza do usuwania łatwopalnych cieczy, takich jak benzyna, wybielacz, amoniak, środki czyszczące do kanalizacji lub inne płyny.
- Nie należy używać odkurzacza do usuwania pyłu płyt kartonowo-gipsowych, popiołów kominkowych lub łatwopalnych materiałów, takich jak węgiel, niedopałki papierosów lub zapalki.
- Przed użyciem należy sprawdzić obszar, który ma zostać oczyszczony. Aby zapobiec zatkaniu otworów, należy usunąć duże kawałki papieru, papierowe kulki, plastikową szmatkę lub ostre przedmioty, takie jak szkło, gwoździe, śruby, monety itp. i wszelkie obiekty, który są większe niż otwory ssące.
- Należy trzymać włosy, luźne ubrania, palce i inne części ciała z dala od otworów ssących i ruchomych części. Nie należy kierować rury odkurzacza lub reszty akcesoriów w stronę oczu lub uszu ani nie wkładać ich do ust.
- Nie należy wkładać żadnych przedmiotów do otworów ssących. Nie używać odkurzacza, jeśli jego otwór ssący jest zablokowany.

- Nie należy opierać odkurzacza o krzesło, stół lub inną niestabilną powierzchnię, ponieważ może to spowodować uszkodzenie urządzenia lub obrażenia ciała. Jeśli odkurzacz zostanie uszkodzony lub w inny sposób działa nieprawidłowo, skontaktuj się z naszym autoryzowanym działem serwisowym.
- Wszystkie instrukcje w instrukcji ładowania akumulatora muszą być ściśle przestrzegane. Ładowanie akumulatora nieprzestrzegając określonego zakresu temperatur może spowodować jego uszkodzenie.
- Należy używać wyłącznie akcesoriów i części wymiennych zatwierdzonych przez firmę Dreame.
- Należy upewnić się, że odłączono odkurzacz, gdy nie jest on używany przez dłuższy czas, a także przed wykonaniem jakichkolwiek czynności konserwacyjnych lub napraw.
- Należy zachować szczególną ostrożność podczas czyszczenia schodów przy użyciu odkurzacza.
- Nie należy montować, ładować ani używać tego urządzenia na zewnątrz, w łazienkach lub wokół basenów.
- Ostrzeżenie o zagrożeniu pożarowym: Nie należy aplikować żadnych perfum do filtra odkurzacza. Tego rodzaju produkty zawierają łatwopalne substancje chemiczne, które mogą spowodować zapalenie się odkurzacza.
- Ten produkt jest przeznaczony wyłącznie do użytku domowego.
- Nie należy używać i przechowywać produktu w bardzo gorących lub zimnych środowiskach (poniżej 0°C /32° F lub powyżej 40°C /104° F). Odkurzacz bezprzewodowy należy ładować w temperaturze powyżej 0°C i poniżej 40°C/104°F.
- Należy używać wyłącznie oryginalnej ładowarki (YLS0251B-E300080). Niezastosowanie się do tego może spowodować zapłoniecie baterii litowo-jonowej.
- Należy używać wyłącznie zatwierdzonego typu baterii (P2013A-7S1P-SCA). Niezastosowanie się do tego może spowodować zapłoniecie baterii litowo-jonowej.

Szczegółową elektroniczną instrukcję obsługi można znaleźć na stronie <https://www.dreame-technology.com/pages/user-manuals-and-faqs>

Akcesoria



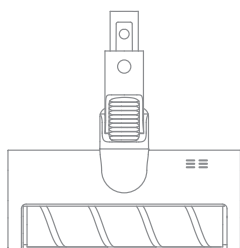
Metalowa rura odkurzacza



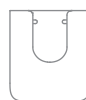
Dysza ze szczotką 2w1



Zasilacz



Miękka szczotka rolkowa



Uchwyt ścienny
(Śruby ścienne x2, kołki rozporowe x2)

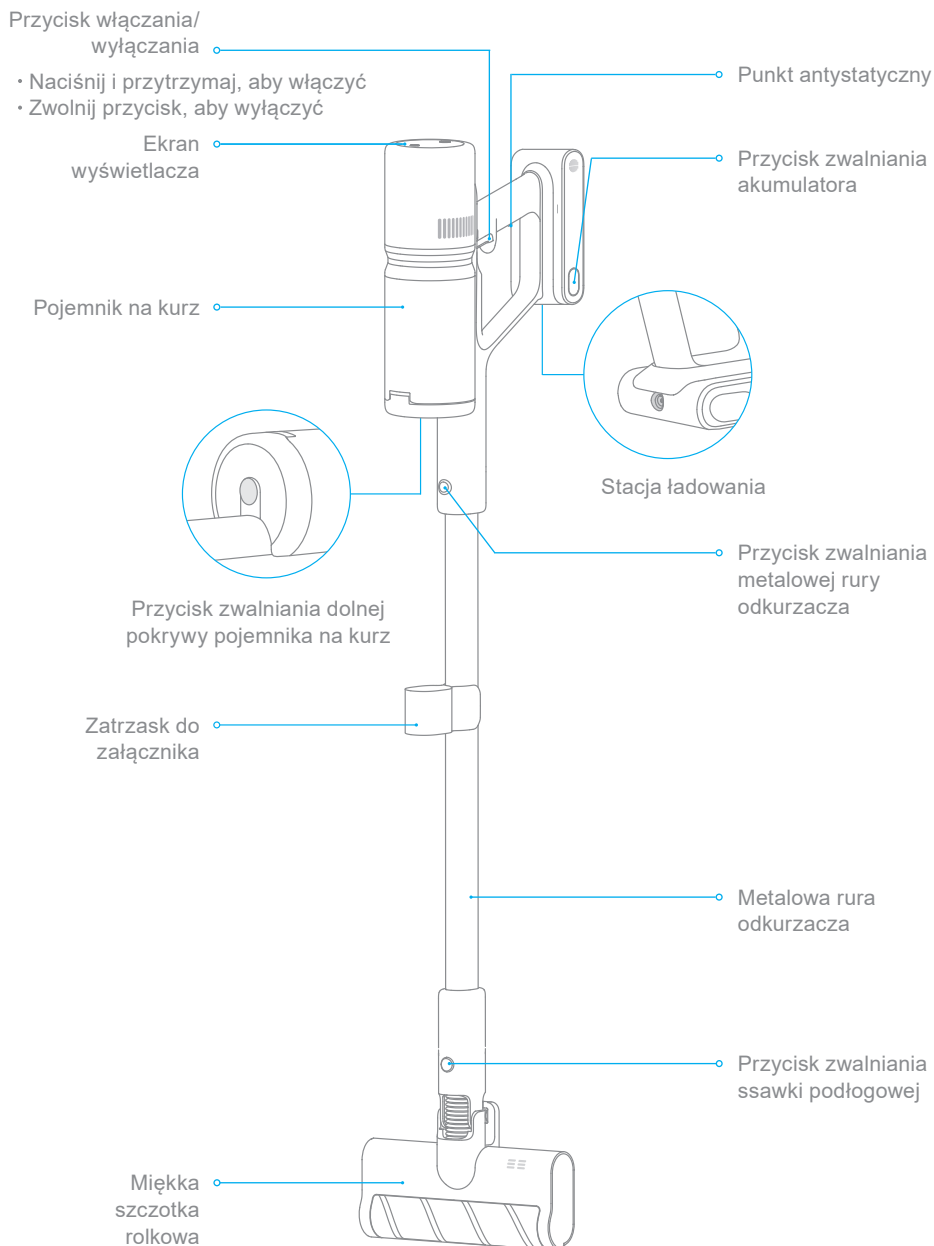


Zatrząsk do załącznika

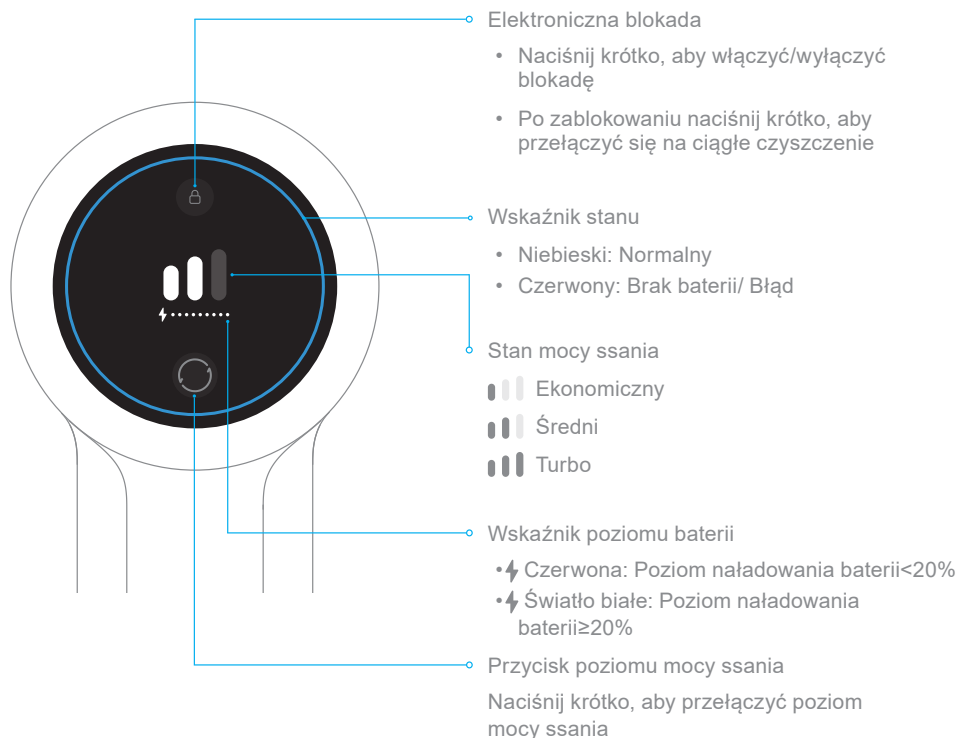
Uwaga: Ilustracje w niniejszej instrukcji służą jedynie jako odniesienie w celach informacyjnych. Należy zapoznać się z rzeczywistym produktem.

Opis produktu

Nazwy części

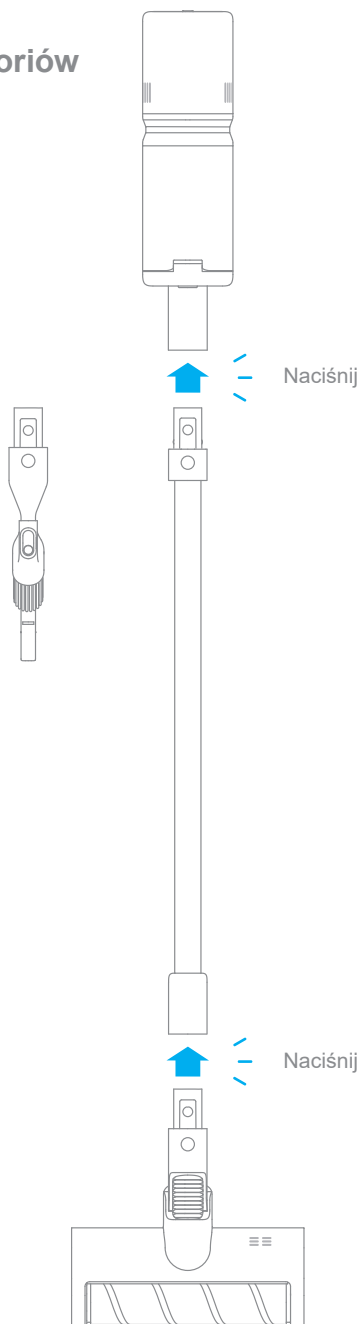


Pojemnik na kurz



Uwaga: Jeśli odkurzacz nie działa prawidłowo, na ekranie pojawi się komunikat o błędzie. Należy zapoznać się z sekcją rozwiązywania problemów w celu znalezienia rozwiązania problemu.

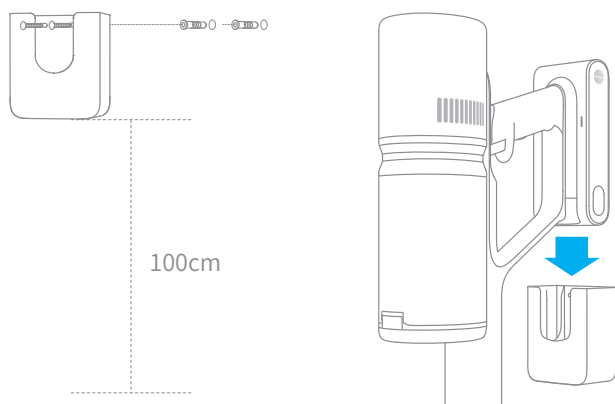
Schemat montażu odkurzacza i akcesoriów



Schemat montażu uchwyty ściennego

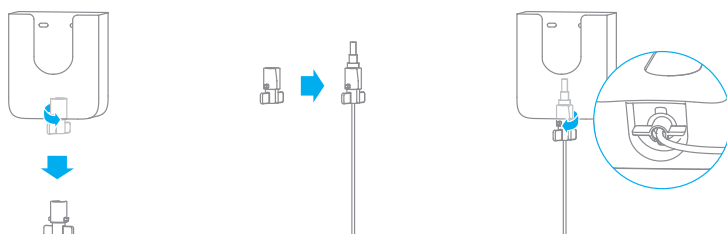
Uchwyt należy zamontować w chłodnym i suchym miejscu z gniazdkiem elektrycznym w pobliżu. Przed montażem należy upewnić się, że w przestrzeni, na której zamontowany zostanie uchwyt, nie ma rur, takich jak przewody wodne lub gazowe, kanałów powietrznych, przewodów i kabli elektrycznych ani rur drenażowych.

1. Przed montażem należy zmierzyć ścianę na wysokość 100 cm nad ziemią.
2. Należy zaznaczyć i wywiercić dwa otwory o średnicy 8 mm w ścianie za pomocą wiertarki elektrycznej. A następnie włożyć kołki rozporowe do otworów.
3. Należy wyrównać otwory na uchwycie z otworami na ścianie, a następnie przymocować uchwyt do ściany za pomocą dołączonych śrub.



Podłączanie zasilacza do uchwyty ściennego

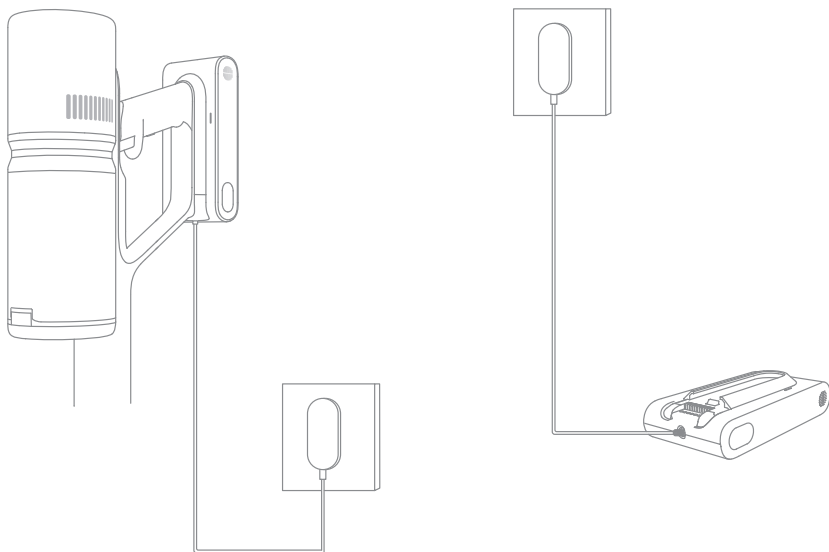
1. Obróć zatrzask w dolnej części uchwyty ściennego o 90 stopni w kierunku przeciwnym do ruchu wskazówek zegara, aby wyjąć go z uchwyty.
2. Włóż przewód zasilacza do otworu zatrzasku.
3. Obróć zatrzask o 90 stopni zgodnie z ruchem wskazówek zegara, aż zatrzask się na swoim miejscu.



Metody ładowania

Uwaga:

- Odkurzaczka nie można używać podczas ładowania.
- Przed pierwszym użyciem należy naładować odkurzacz w pełni. Zajmie to około 2,5 godzin.
- Odkurzanie w trybie pełnej mocy przez dłuższy czas spowoduje nagrzanie baterii, co wydłuży czas ładowania. Przed ładowaniem zaleca się odstawienie odkurzacza do ostygnięcia na 30 minut.



Ekran wyświetlacza

Wskaźnik poziomu baterii

- ⚡ Czerwona: Poziom naładowania baterii < 20%
- ⚡ Światło białe: Poziom naładowania baterii ≥ 20%

Wskaźnik baterii

Wskaźniki baterii będą na przemian migać i świecić jasno, reprezentując stan baterii.

Uwaga: Ekran wyłączy się po 30 sekundach bezruchu.

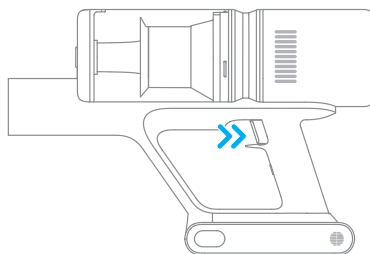


Tryb czyszczenia


Odkurzacz posiada dwie metody pracy, które można wybrać w oparciu o własne potrzeby.

Metoda 1: Tryb nieciągłego czyszczenia

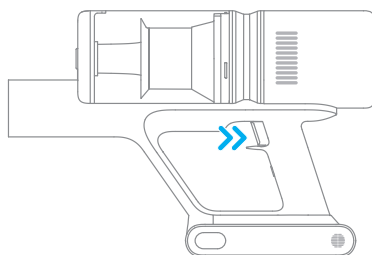
Naciśnij i przytrzymaj przycisk, aby uruchomić czyszczenie lub zwolnij go w celu natychmiastowego zatrzymania.



Metoda 2: Tryb ciągłego czyszczenia (Blokada Elektryczna)

Kliknij przycisk , aby przełączyć się na tryb ciągłego czyszczenia, aż przycisk będzie włączony. Następnie zwolnij przycisk włączania/wyłączania, aby czyścić w trybie ciągłego czyszczenia.

Używanie blokady elektrycznej uwalnia palec od nadwyrężenia spowodowanego trzymaniem przełącznika.



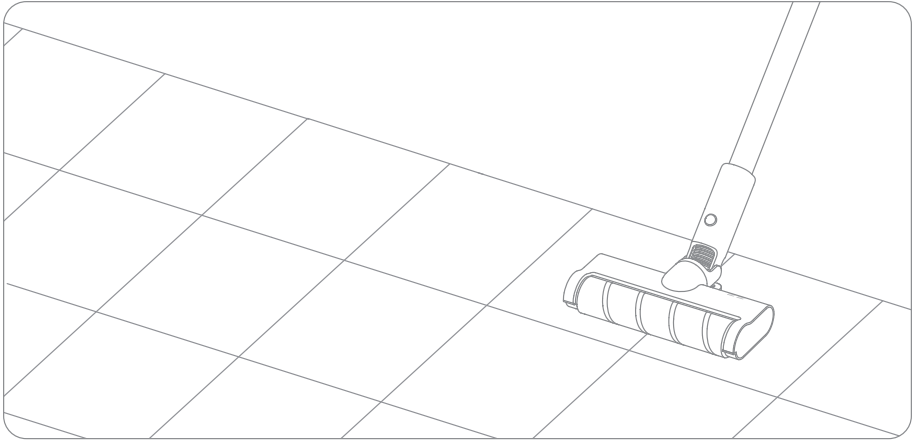
Uwaga:

- W tym trybie naciśnij krótko włącznik/wyłącznik, aby zawiesić czyszczenie lub uruchomić ponownie, przy czym tryb pracy odkurzacza nie ulegnie zmianie.
- Naciśnij ponownie przycisk blokady elektrycznej, aby zakończyć tryb czyszczenia ciągłego.

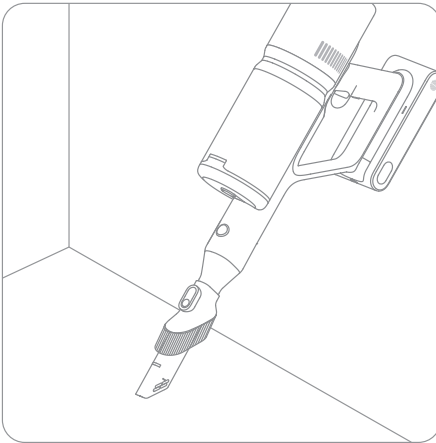
Sposób użycia

Korzystanie z różnych akcesoriów

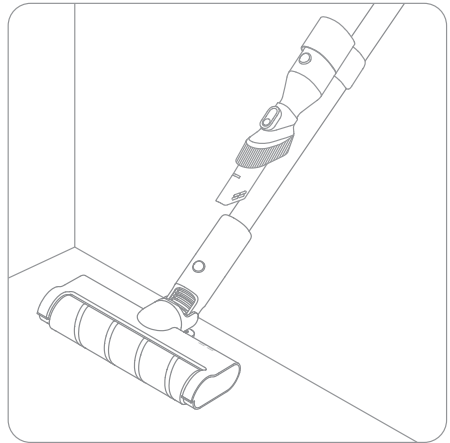
Miękka szczotka rolkowa: Nadaje się do czyszczenia drewna, płytek, marmuru i innych twardych powierzchni podłogowych, a także do czyszczenia większych kawałków brudu i zanieczyszczeń.



Dysza ze szczotką 2w1: Do odkurzania kurzu z zasłon, klawiatur, sufitów, sof, wewnątrz pojazdów, stolików kawowych itp.



Zatrask do załącznika: W czasie gdy dysza szczelinowa 2w1 jest nieużywana, może ona być przechowywana na zatrasku do załącznika, jak pokazano na ilustracji.



Uwaga:

- Jeśli jakiegokolwiek ruchomy przedmiot utknie, odkurzacz zostanie automatycznie wyłączony a czyszczenie zostanie kontynuowane po usunięciu wszystkich zablokowanych ciał obcych.
- Jeśli bateria przegrzeje się, odkurzacz zostanie automatycznie wyłączony. Należy zaczekać, aż temperatura baterii powróci do normy, aby odkurzacz zaczął działać ponownie.

Środki ostrożności

1. Należy zawsze używać oryginalnych części, aby gwarancja nie została unieważniona.
2. Jeśli odkurzacz nie jest używany przez dłuższy czas, należy go w pełni naładować, odłączyć zasilanie i przechowywać w chłodnym miejscu o niskiej wilgotności, z dala od bezpośredniego światła słonecznego. Aby uniknąć nadmiernego rozładowywania akumulatora, należy ładować odkurzacz co najmniej raz na 3 miesiące.

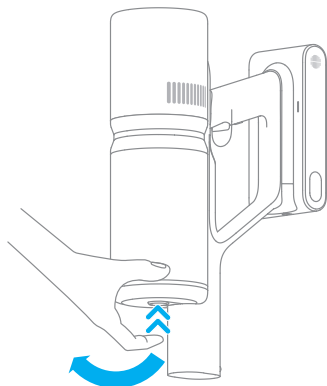
Czyszczenie odkurzacza

Należy używać miękkiej, suchej ściereczki.

Czyszczenie pojemnika na kurz i filtra wstępnego

Przed czyszczeniem należy upewnić się, że zasilacz jest odłączony. Należy uważać, aby nie uruchomić urządzenia.

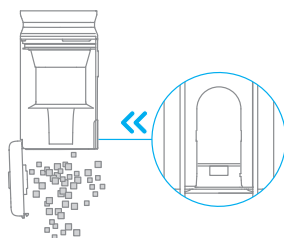
1. Należy wcisnąć przycisk zwalniania pojemnika na kurz, a następnie delikatnie wyjąć pojemnik na kurz z odkurzacza w kierunku wskazanym przez strzałkę.



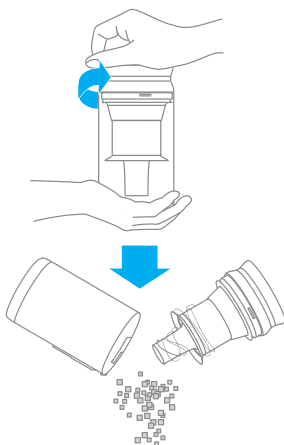
2. Należy opróżnić pojemnik na kurz.

Uwaga: Zaleca się czyszczenie pojemnika na kurz po każdym użyciu.

Metoda 1: Należy nacisnąć przycisk zwalnający na spodzie pojemnika na kurz.



Metoda 2: Należy przytrzymać górną pokrywę pojemnika na kurz, a następnie wyjąć zespół cyklonów.

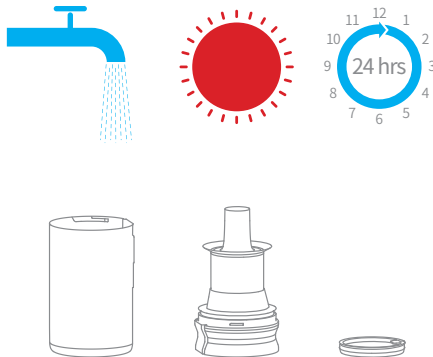


Pielęgnacja i konserwacja

3. Należy wyjąć filtr wstępny. Następnie obrócić zespół cyklonów lekko, aby wyjąć go z pojemnika na kurz.



4. Należy opłukać wodą zespół cyklonów, filtr wstępny oraz pojemnik na kurz, aż będą czyste. Po myciu, należy pozostawić do wyschnięcia przez co najmniej 24 godziny.



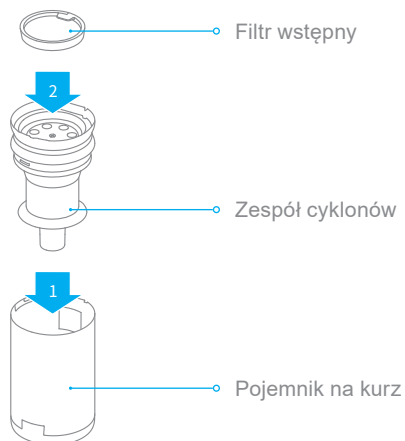
Uwaga:

- Zaleca się czyszczenie pojemnika na kurz raz w miesiącu.
- Zaleca się czyszczenie zespołu cyklonów i filtra wstępnego co najmniej raz na 3-4 miesiące.

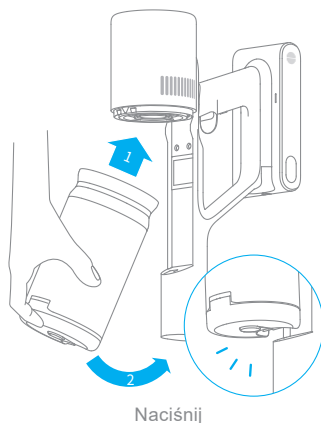
Montowanie zestawu pojemnika na kurz

Uwaga: Należy zamontować zespół cyklonów i filtr wstępny w pojemniku na kurz.

1. Przed ponownym montażem należy upewnić się, że wszystkie filtry są całkowicie suche.



2. Należy wyrównać wcięcie w pojemniku na kurz z wcięciem w odkurzaczu. Następnie należy pociągnąć pojemnik na kurz, aż słyszalne będzie kliknięcie.

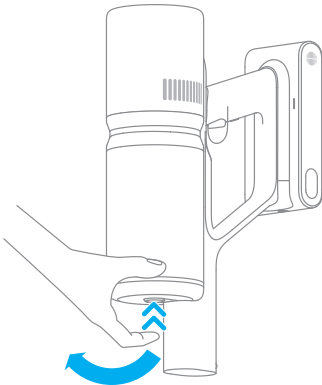


Pielęgnacja i konserwacja

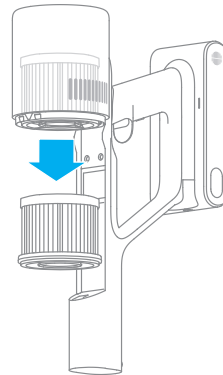
Czyszczenie filtra

Zaleca się czyszczenie filtra raz na 4-6 miesięcy.

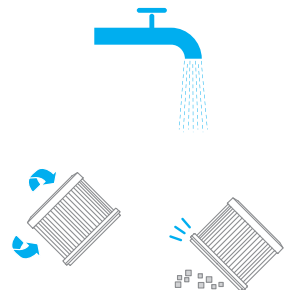
1. Należy zdjąć pojemnik na kurz, jak pokazano na ilustracji.



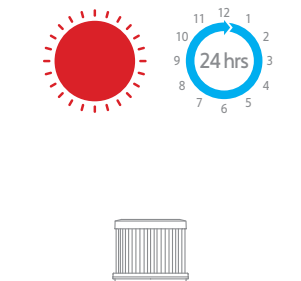
2. Należy wyjąć filtr z odkurzacza, pociągając go w dół w kierunku pokazanym na ilustracji.



3. Należy oczyścić filtr czystą wodą. Należy obracać filtr o 360°, aby dokładnie usunąć wszelki kurz z filtra. Następnie należy postukać lekko w filtr parokrotnie, aby usunąć nadmiar brudu.



4. Należy pozostawić do wyschnięcia na 24 godziny.

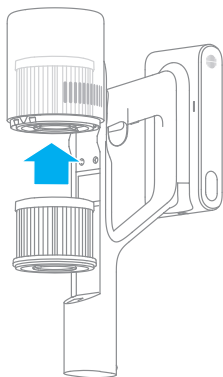


Uwaga:

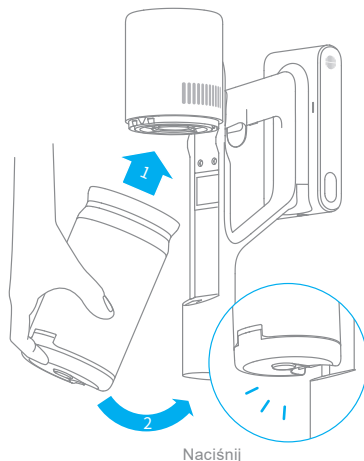
- Do mycia filtra należy używać wyłącznie czystej wody. Nie należy używać detergentów.
- Nie należy próbować czyścić filtra szczotką ani palcem.

Montowanie filtra

1. Włóż filtr do odkurzacza i delikatnie dociśnij, tak, jak pokazano na ilustracji poniżej



2. Ponownie zamontuj pojemnik na kurz.

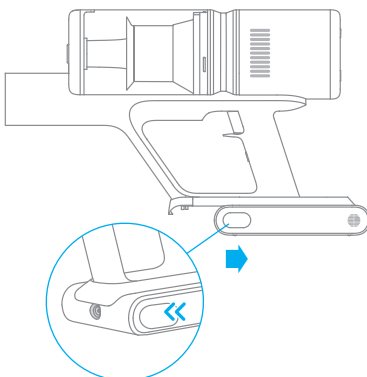


Akumulator

Odkurzacz zawiera wyjmowany akumulator litowo-jonowy, który ma ograniczoną liczbę cykli ładowania. Po dłuższym użyciu akumulator może przestać być nadawalny. Jeśli tak się stanie, oznacza to, że akumulator osiągnął koniec żywotności i wymaga wymiany.

1. Naciśnij przycisk zwalniania akumulatora i przesuwaj akumulator w prawo, w celu wyjęcia go, tak, jak pokazano na ilustracji poniżej.

2. Zamontuj nowy akumulator.

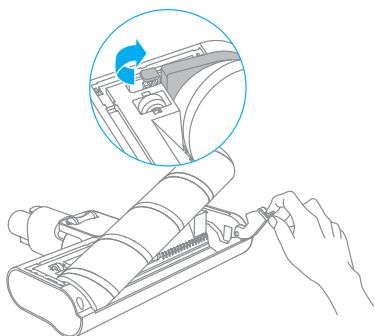


Pielęgnacja i konserwacja

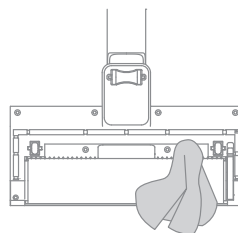
Czyszczenie miękkiej szczotki rolkowej

1. Należy nacisnąć przycisk zwalniania głowicy szczotki w kierunku wskazanym przez strzałkę, aż otworzy się pokrywa głowicy szczotki. Następnie należy zdjąć głowicę szczotki, podnosząc ją we wskazanym kierunku.

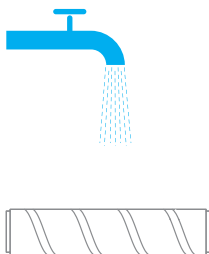
Uwaga: Należy użyć małych narzędzi, aby podważyć zatrzask.



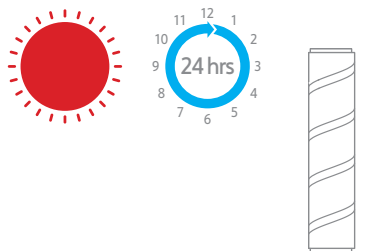
2. Użyj nożyczek, aby przeciąć włosy i inne włókna, które utknęły na głowicy rolki. Wytrzeć kurz z wycięć i przezroczystą pokrywą suchą ściereczką lub ręcznikiem papierowym. Dokładnie wysuszyć przed użyciem.



3. Jeśli jest zabrudzona, przepłucz szczotkę rolkową czystą wodą, aż będzie czysta.



4. Szczotkę rolkową należy postawić pionowo przez co najmniej 24 godziny, do całkowitego wyschnięcia.



Podstawowe parametry

Odkurzacz			
Model	VPD1	Napięcie ładowania	30 V ---
Moc znamionowa	350 W	Napięcie znamionowe	25,2 V ---
Czas ładowania	około 2,5 godziny	Pojemność baterii	2000 mAh
Miękka szczotka rolkowa			
Model	AVB11		
Moc znamionowa	40 W		
Napięcie znamionowe	25,2 V ---		
Zasilacz			
Model	YLS0251B-E300080	Wejście	100-240 V~ 50/60 Hz 0,8 A Max
Wyjście	30 V --- 800 mA	rednia sprawność podczas pracy	88,53 %
Sprawność przy niskim obciążeniu (10%)	78,66 %	Pobór energii bez obciążenia	0,09 W
Akumulator litowo-jonowy			
Model	P2013A-7S1P-SCA	Pojemność znamionowa	2000 mAh
Napięcie znamionowe	25,2 V ---	Prąd	45,36 Wh

Akumulator litowo-jonowy zawiera substancje, które są niebezpieczne dla środowiska. Przed utylizowaniem odkurzacza należy wyjąć akumulator, a następnie wyrzucić go lub poddać recyklingowi zgodnie z lokalnymi przepisami i regulacjami kraju lub regionu, w których jest używany.

Najczęściej zadawane pytania

Jeśli odkurzacz nie działa prawidłowo, należy zapoznać się z poniższą tabelą rozwiązywania problemów.

Błędy	Możliwe przyczyny	Rozwiązania
Odkurzacz nie działa.	Odkurzacz jest rozładowany lub poziom baterii jest niski.	Należy naładować baterię w pełni i kontynuować użytkowanie.
	Tryb ochrony przed przegrzaniem został wywołany blokadą	Należy oczyścić otwory ssące lub kanał powietrzny. Poczekać aż urządzenie schłodzi się i uruchom ponownie.
	Otwór ssący lub kanał powietrzny jest zablokowany.	Należy usunąć wszelkie ciała obce z otworu ssącego lub kanału powietrznego.
Słaba siła ssania.	Pojemnik na kurz jest pełny i/lub filtra jest zatkany.	Należy opróżnić pojemnik na kurz i wyczyścić filtr.
	Akcesoria są zablokowane.	Należy oczyścić akcesoria z wszelkich ciał obcych.
Silnik wydaje dziwny dźwięk	Główny otwór ssący lub metalowa rura odkurzacza jest zablokowana.	Należy usunąć wszelkie obce przedmioty z głównego otworu ssącego lub metalowej rury odkurzacza.
Wskaźnik baterii nie świeci się w czasie ładowania.	Zasilacz nie jest podłączony do odkurzacza.	Upewnij się, że zasilacz jest prawidłowo podłączony.
	Bateria jest w pełni naładowana i przeszła w tryb uśpienia.	Odkurzacz można normalnie używać.
	Jeśli po wykluczeniu powyższych dwóch możliwości problem nadal występuje	Proszę skontaktować się z biurem obsługi posprzedażowej.
Odkurzacz ładuje się powoli.	Temperatura akumulatora jest za niska lub za wysoka.	Należy zaczekać i kontynuować użytkowanie, kiedy temperatura baterii wróci do normy.

Rozwiązywanie problemów

Jeśli odkurzacz nie działa prawidłowo, na ekranie pojawi się komunikat o błędzie. Należy zapoznać się z tabelą rozwiązywania problemów, aby znaleźć rozwiązanie.

Ikona błędu	Możliwe przyczyny	Rozwiązania
	Szczotka rodkowa zablokowana	Należy zapoznać się z sekcją [Czyszczenie miękkiej szczotki rodkowej], aby wyczyścić włókna i włosy owinięte wokół szczotki rodkowej.
	Zablokowany kanał powietrzny	Należy sprawdzić, czy pojemnik na kurz, metalowa rura odkurzacza i miękka szczotka rodkowa są zablokowane.
	Błąd	Prosimy o kontakt z naszym działem obsługi posprzedażowej.
	Przegrzanie	Należy poczekać i kontynuować używanie, gdy temperatura baterii powróci do normy.

Informacje dot. utylizacji w UE (WEEE)



Wszystkie produkty opatrzone tym symbolem są zużytym sprzętem elektrycznym i elektronicznym (WEEE, jak w dyrektywie 2012/19/UE), które go nie należy mieszać z niesortowanymi odpadami domowymi. Należy chronić zdrowie ludzkie i środowisko poprzez przekazanie sprzętu specjalnemu punktowi zbiórki odpadów do recyklingu zużytego sprzętu elektrycznego i elektronicznego, wyznaczonego przez władze rządowe lub lokalne. Prawidłowa utylizacja i recykling pomogą zapobiec potencjalnym negatywnym skutkom dla środowiska i zdrowia ludzkiego. Aby uzyskać więcej informacji na temat lokalizacji oraz warunków takich punktów zbiórki, należy skontaktować się z instalatorem lub władzami lokalnymi.

Instruções de segurança

Para evitar acidentes, incluindo choque elétrico ou incêndio causado por uso impróprio, mantenha este manual cuidadosamente antes de usar e guarde-o para referência futura.

Atenção

- Este produto pode ser usado por crianças com 8 anos ou mais, e pessoas com deficiências físicas, sensoriais, intelectuais ou experiência ou conhecimento limitados sob a supervisão de um dos seus pais ou responsável para garantir uma operação segura e evitar qualquer risco de perigo. A limpeza e a manutenção não devem ser realizadas por crianças sem supervisão.
- O aspirador não é um brinquedo. As crianças não devem brincar ou operar este produto. Tenha cuidado ao usar o aspirador caso esteja perto de crianças. Não permita que crianças limpem ou mantenham o aspirador, a menos que supervisionadas pelos pais ou responsável.
- Não use o aspirador ao ar livre ou em superfícies molhadas. Use o aspirador somente em superfícies internas secas. Não toque na ficha ou em qualquer parte do aspirador com as mãos molhadas.
- Para reduzir o risco de incêndio, explosão ou ferimentos, certifique-se de que a bateria de lítio e o adaptador de carga não estejam danificados antes do uso. Não use o aspirador se a bateria de lítio ou o carregador estiverem danificados.
- A escova para todos os tipos de piso, mini escova elétrica, bateria, haste de extensão de metal, bocal de LED para fendas, adaptador flexível e o host são eletricamente condutores e não devem ser imersos em água ou outro líquido. Certifique-se de secar todos os filtros após a limpeza.
- Evite ferimentos causados por peças móveis. Desligue o aspirador antes de limpar a escova para todos os tipos de piso e a mini escova elétrica. A escova para todos os tipos de piso, o copo de pó e o filtro devem estar devidamente instalados antes de usar o aspirador.
- Use apenas o adaptador de carregamento original. Nunca use o de não original.
- Não use o aspirador para coletar líquidos inflamáveis ou combustíveis, como gasolina ou alvejante, amônia, produtos de limpeza de ralos ou outros líquidos.
- Não use o aspirador para coletar partículas de pó de cal, cinzas como cinzas de lareira ou materiais fumegantes ou em chamas, como carvão, bitucas de cigarro ou fósforos.
- Verifique a área a ser limpa antes de usar. Para evitar que as aberturas sejam bloqueadas, limpe o papel maior, a cuspidreira, o pano de plástico ou objetos pontiagudos como vidro, pregos, parafusos, moedas, etc. e qualquer objeto que seja maior do que as aberturas.
- Mantenha os cabelos, roupas largas, dedos e outras partes do corpo longe das aberturas e partes móveis do aspirador. Não aponte o cabo, a haste ou as ferramentas para seus olhos ou ouvidos, nem os coloque na boca.
- Não coloque nenhum objeto nas aberturas do aspirador. Não use o aspirador com nenhuma abertura bloqueada. Mantenha-o livre de poeira, fiapos, cabelos ou outros itens que possam reduzir o fluxo de ar.

- Não encoste o aspirador em uma cadeira, mesa ou outra superfície instável, pois isso pode causar danos à máquina ou ferimentos pessoais. Se o aspirador for danificado ou apresentar mau funcionamento, entre em contato com nosso departamento de serviço autorizado. Nunca tente desmontar o dispositivo por conta própria.
- Todas as instruções do manual para recarregar a bateria devem ser estritamente seguidas. O não carregamento correto da bateria dentro da faixa de temperatura especificada pode danificá-la.
- Use apenas acessórios e peças de reposição aprovados pelo Dreame.
- Certifique-se de que o aspirador esteja desconectado quando não for usado por longos períodos, bem como antes de realizar qualquer manutenção ou reparo.
- Tenha muito cuidado ao usar o aspirador para limpar escadas.
- Não instale, carregue ou use este produto ao ar livre, em banheiros ou ao redor de uma piscina.
- Aviso de perigo de incêndio: Não aplique nenhum tipo de fragrância ao filtro do aspirador. Esses tipos de produtos são conhecidos por conter produtos químicos inflamáveis que podem fazer o aspirador pegar fogo.
- Este produto foi projetado apenas para uso doméstico.
- Não use nem armazene em ambientes extremamente quentes ou frios (abaixo de 0/ 32 ° F ou acima de 40/104° F). Use o adaptador de alimentação original para carregar numa temperatura de 0 ° C a 40 ° C.
- Use apenas o carregador original (YLS0251B-E300080). Caso contrário, a bateria de íon de lítio pode pegar fogo.
- Use apenas o tipo de bateria aprovado (P2013A-7S1P-SCA). Caso contrário, a bateria de íon de lítio pode pegar fogo.

Para consultar o manual detalhado online, visite <https://www.dreame-technology.com/pages/user-manuals-and-faqs>

Apresentação do produto

Lista de Acessórios



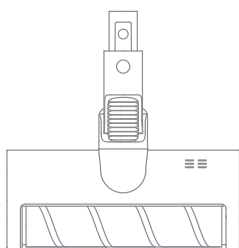
Haste de extensão



Bocal de escova 2 em 1



Carregador



Barra de escova de rolo macia



Suporte de parede
(Incluindo parafusos × 2, buchas × 2)

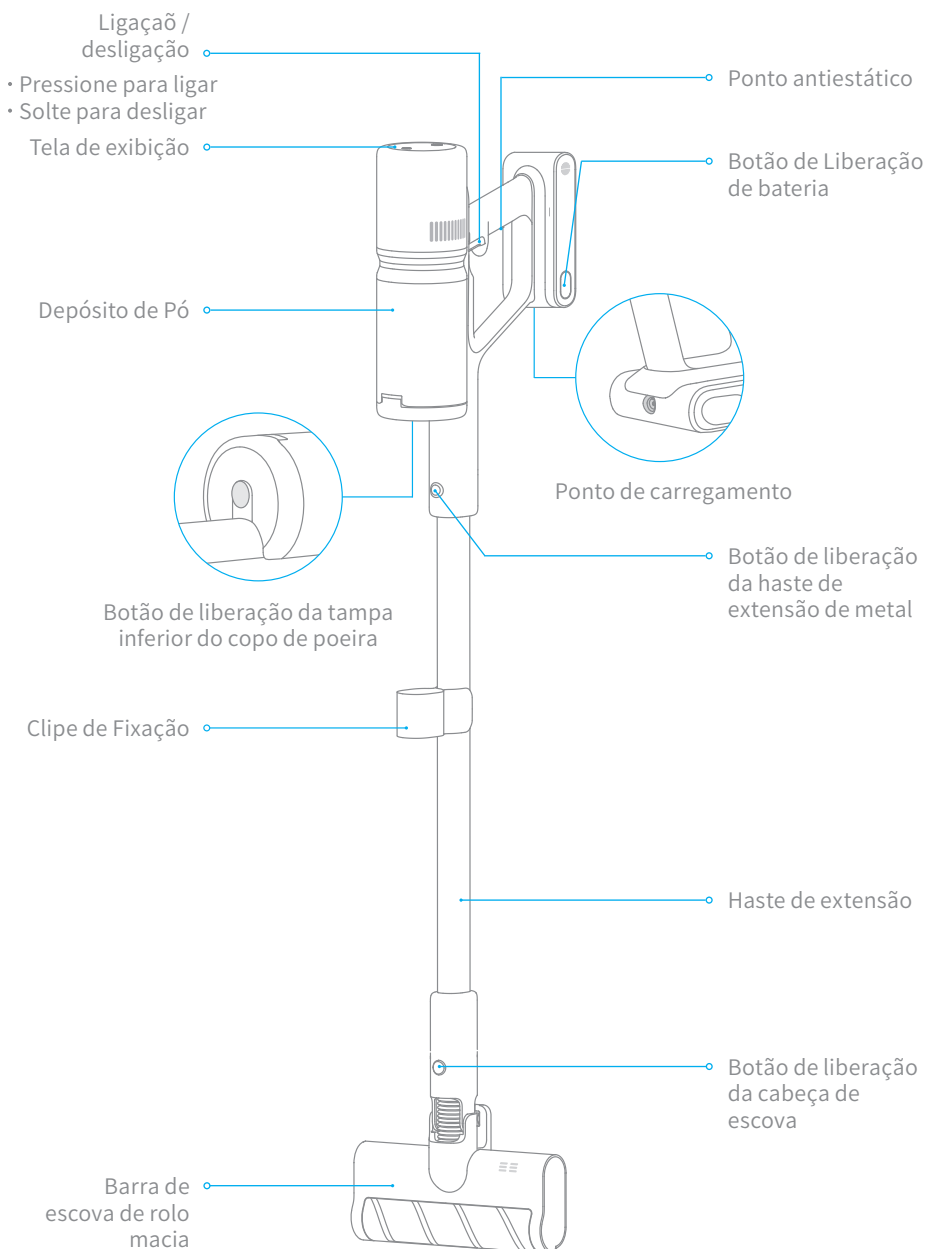


Clipe de Fixação

Observação: As imagens neste manual serão apenas para fins ilustrativos. O produto real pode ser diferente.

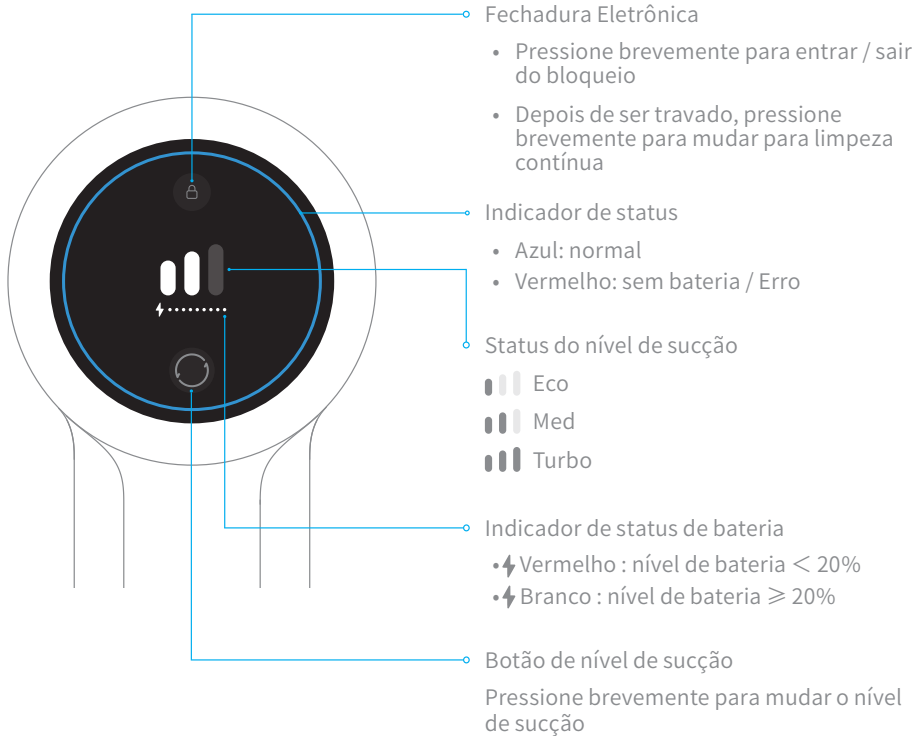
Apresentação do produto

Nome de componente



Apresentação do produto

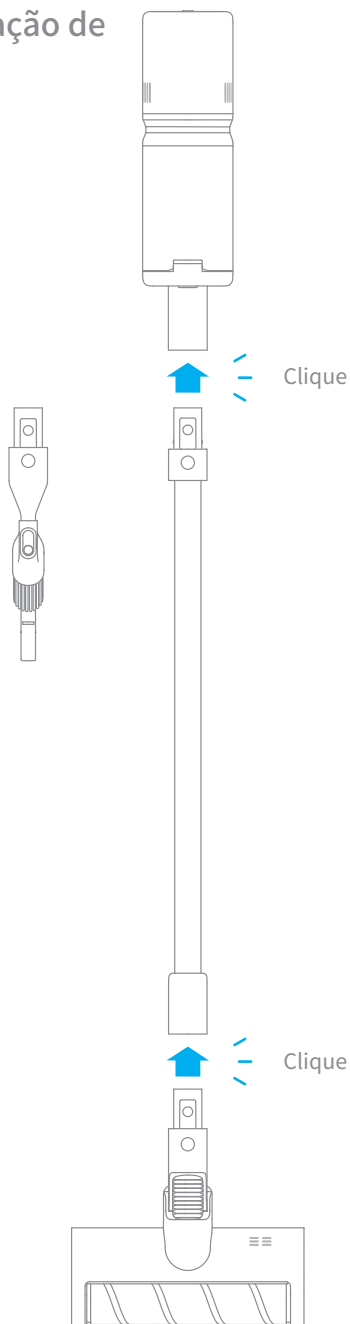
Depósito de Pó



Obeservação: Se o vácuo não estiver funcionando corretamente, a tela exibirá uma mensagem de erro. Consulte a seção de solução de problemas para encontrar sua resposta.

Instalação

Diagrama de Instalação de Vácuo e Acessórios

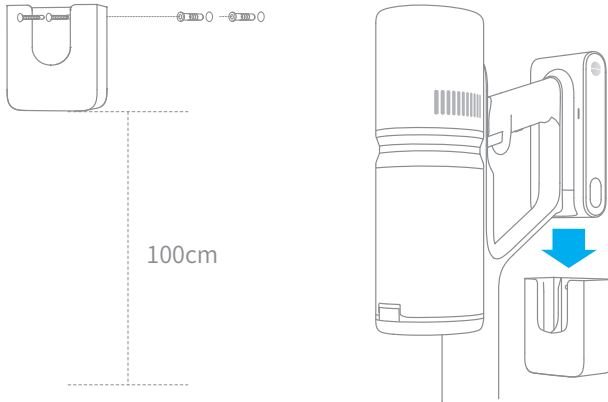


Instalação

Diagrama de Instalação do Suporte de Parede

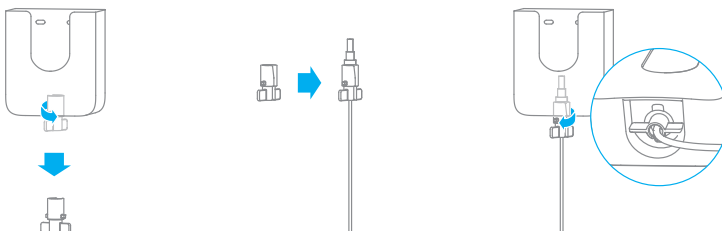
O suporte deve ser instalado em um local fresco e seco em redor da uma tomada elétrica. Deve garantir que a área de instalação esteja livre de canos, como linhas de gás ou água, dutos de ar, fios e cabos elétricos ou linhas de drenagem.

1. Antes da instalação, meça a parede na altura de 100 cm acima do solo.
2. Marque e faça dois orifícios de diâmetro de 8 mm na parede com uma furadeira elétrica. Insira as buchas nos orifícios.
3. Alinhe os orifícios de posição no suporte com os orifícios na parede. Fixe-o na parede com os parafusos incluídos.



Conectando o adaptador de carregamento ao suporte de parede

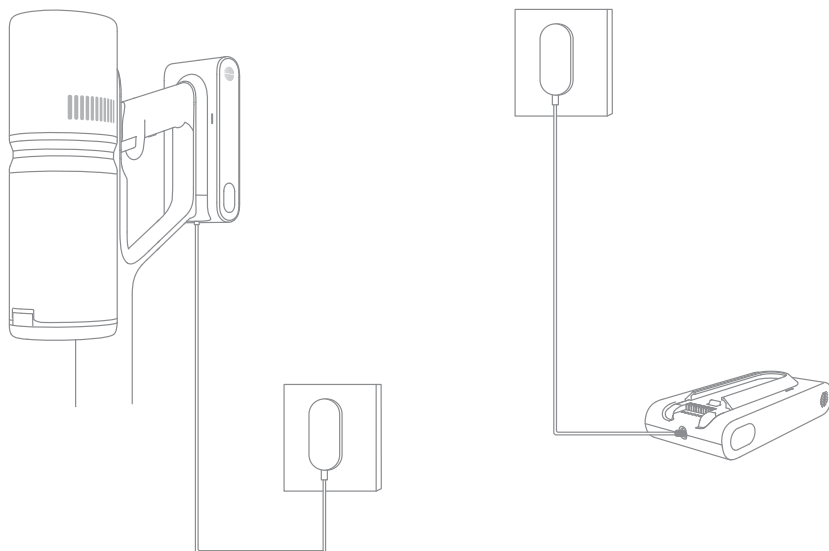
1. Gire o clipe na parte inferior do suporte de parede 90 graus no sentido anti-horário para removê-lo do suporte.
2. Insira o cabo do adaptador de carga no entalhe do clipe.
3. Gire o clipe 90 graus no sentido horário até que se encaixe no lugar.



Modo de Carregamento

Obeservação:

- O vácuo não pode ser usado durante o carregamento.
- Carregue totalmente o aspirador antes de usá-lo pela primeira vez. Será levar cerca de 2,5 horas.
- Aspiração do Modo Turbo por um período prolongado fará com que a bateria aqueça, o que aumenta o tempo de carregamento. Portanto, deixe o vácuo esfriar por 30 minutos antes de carregá-lo.



Tela de Exibição

Indicador de Status de Bateria

- ⚡ Vermelho : nível de bateria $< 20\%$
- ⚡ Branco : nível de bateria $\geq 20\%$

Indicador de Bateria

Os indicadores de bateria piscam e, em seguida, brilham constantemente em sequência, dependendo da condição de bateria.

Obeservação: A tela desligará após 30 segundos sem nenhuma operação.



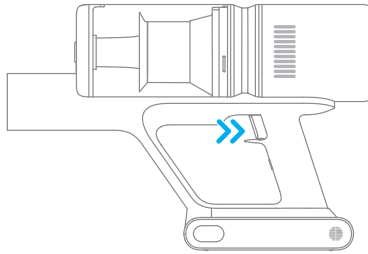
Como é que usa

Modo de limpeza


Existem dois métodos de trabalho para o host, que podem ser selecionados de acordo com as suas necessidades.

Método 1: Modo de limpeza descontínua

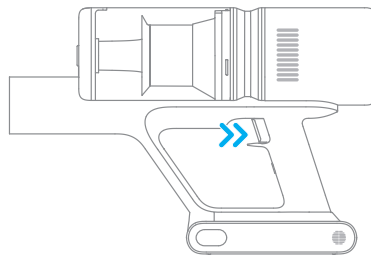
Pressione e segure o botão do host para habilitar este modo e solte-o para parar imediatamente.



Método 2: Modo de limpeza contínua (Fechadura Eletrônica)

Clique no botão  para alternar para o Modo de Limpeza Contínua e o mesmo botão será ativado. Em seguida, solte o botão de ligação/desligação para fazer o vácuo no modo de limpeza contínua.

Use a fechadura eletrônica para livrar seu dedo do cansaço causado pelo seguro do botão.



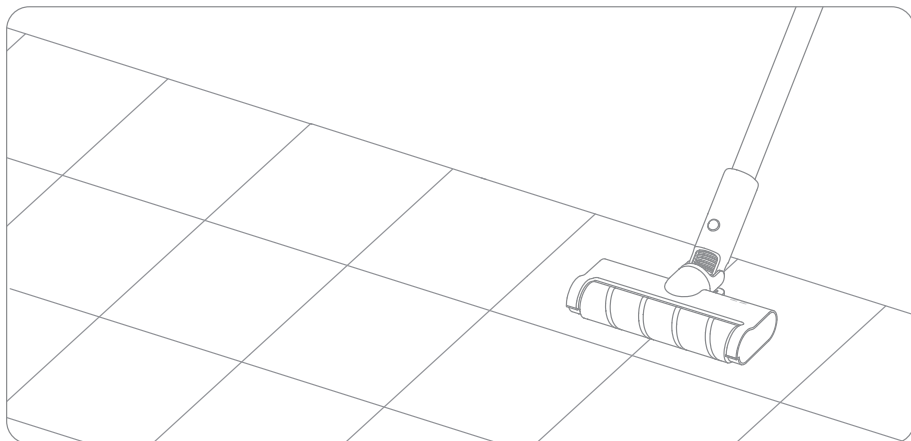
Observação:

- Neste modo, pressione brevemente o botão ligação / desligação para suspender a operação ou iniciar novamente, e o modo de trabalho do host não mudará.
- Clique na fechadura eletrônica novamente para sair do modo de limpeza contínua.

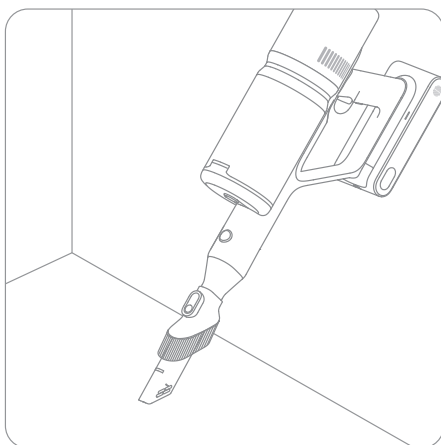
Como é que usa

Uso no cenário diferente

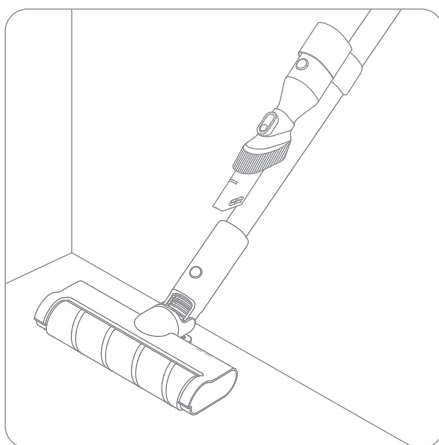
Barra de escova de rolo macia: Adequado para aspirar madeira, azulejos, mármore e outras superfícies de piso duro, bem como aspirar pedaços maiores de sujeira e detritos.



Bocal de escova 2 em 1: Para aspirar a poeira de cortinas, teclados, tetos, sofás, interiores de veículos, mesas de centro, etc.



Clipe de Fixação: O bocal para fendas 2 em 1 pode ser armazenado no clipe de fixação conforme mostrado quando não estiver em uso.



Obeservação:

- Se qualquer parte rotativa ficar presa, pode desligar automaticamente. Remova todos os objetos presos para que o dispositivo possa funcionar normalmente.
- Quando a bateria fica superaquecida, pode desligar automaticamente. Espere até que a temperatura da bateria volte ao normal, então funcionará normalmente.

Cuidado e manutenção

Dicas:

1. Sempre use peças genuínas para evitar que sua garantia seja anulada.
2. Se o aspirador não for usado por um longo período, carregue-o totalmente, desconecte o adaptador de energia e guarde-o no ambiente fresco e com baixa umidade, longe da luz solar direta. Para evitar a descarga excessiva da bateria, recarregue o aspirador pelo menos uma vez a cada 3 meses.

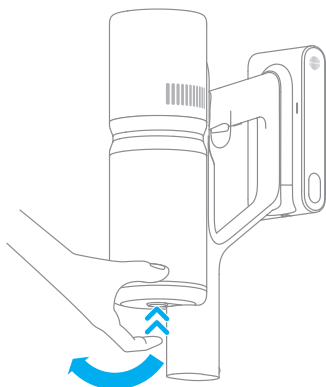
Limpeza do Host

Limpe com um pano macio e seco.

Limpeza do depósito de pó e pré-filtro

Antes de limpar o coletor de pó, desconecte o adaptador de energia e mantenha o botão ligação / desligação do aspirador na posição desligada. E não pressione o interruptor.

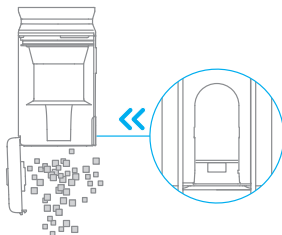
1. Pressione o botão de liberação do compartimento de poeira e segure-o para remover o aspirador na direção da seta.



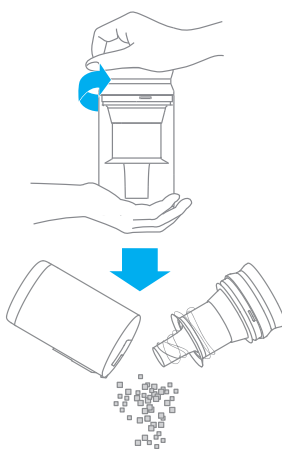
2. Esvazie o compartimento.

Nota: recomenda-se limpar o depósito de pó após cada utilização.

Método 1: pressione o botão de liberação na parte inferior da bandeja.

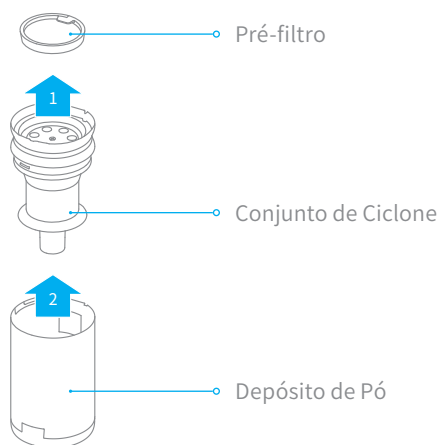


Método 2: segure a tampa superior do depósito de pó e remova o conjunto do ciclone.

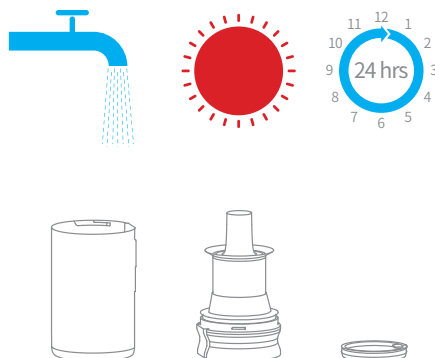


Cuidado e manutenção

3. Remova o pré-filtro. Rode levemente o conjunto do ciclone para o remover do depósito de pó.



4. Enxágue o conjunto do ciclone, o pré-filtro e o coletor de pó até que estejam limpos. Após a lavagem, seque ao ar por pelo menos 24 horas.



Obeservação:

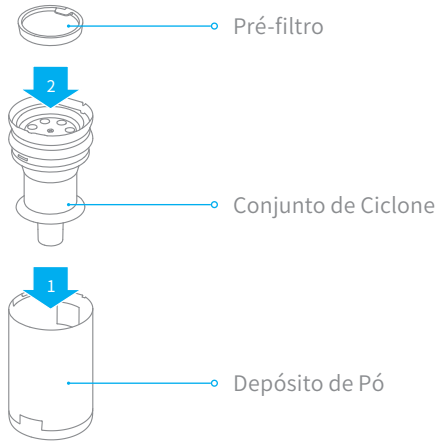
- Recomenda-se limpar o depósito de pó uma vez por mês.
- Recomenda-se limpar o sistema de ciclone e pré-filtrar pelo menos uma vez a cada 3 a 4 meses.

Cuidado e manutenção

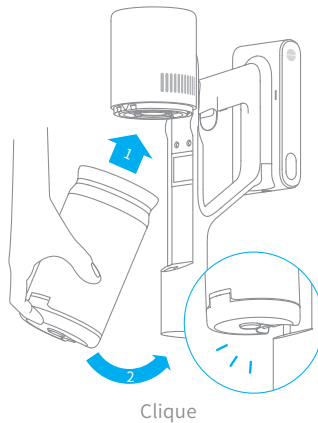
Instalação do Conjunto do Depósito de Pó

Observação: Instala o conjunto do ciclone e o pré-filtro no depósito de pó.

1. Deve garantir que todos os filtros estão completamente secos antes de reinstalar.



2. Alinhe as ranhuras do depósito de pó com os entalhes do aspirador.

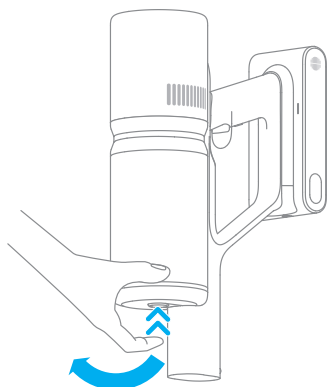


Clique

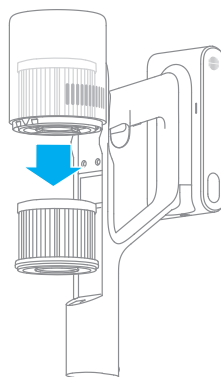
Limpeza do filtro

Recomenda-se limpar o filtro uma vez a cada 4 a 6 meses.

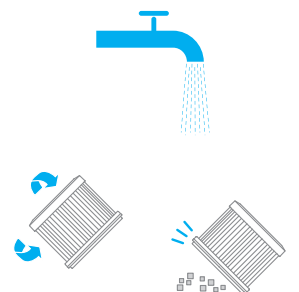
1. Remova o coletor de pó conforme o mostrado na figura.



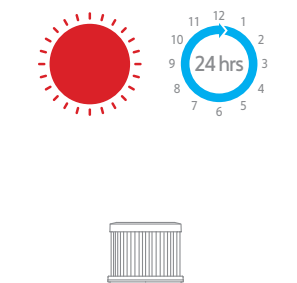
2. Remova o filtro do vácuo, puxando-o para baixo na direção mostrada na figura.



3. Limpe o filtro com água limpa. Deve garantir que gire o filtro 360° para remover completamente toda a poeira presa no filtro. Bata levemente no filtro para remover o excesso de sujeira.



4. Deixe o filtro secar ao ar por 24 horas.



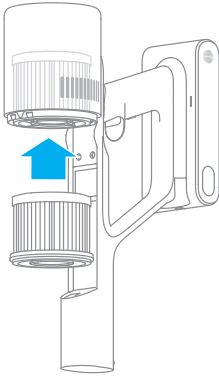
Observação:

- Use apenas água limpa para lavar o filtro. Não use detergente.
- Não tente limpar o filtro com escova ou dedo.

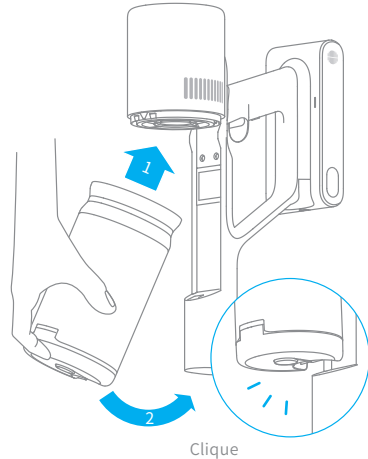
Cuidado e manutenção

Instalação do Filtro

1. Insira o filtro no vácuo e pressione suavemente para baixo, conforme ilustrado.



2. Reinstale o depósito de pó



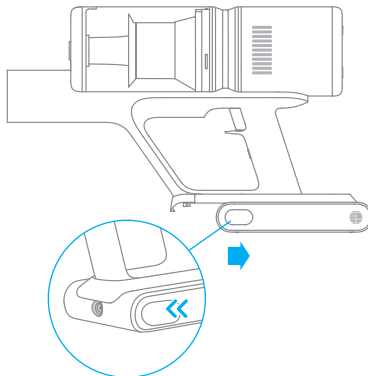
Clique

Pacote de bateria

O aspirador contém uma bateria de íon de lítio recarregável e removível, e tem um número limitado de ciclos de recarga. Depois de uso prolongado, a bateria pode ficar sem mais carga. Neste caso, a bateria já atinja o fim de seu ciclo de vida e precisa ser substituída.

1. Pressione o botão de liberação da bateria e deslize-a para a direita, conforme ilustrado, para removê-la.

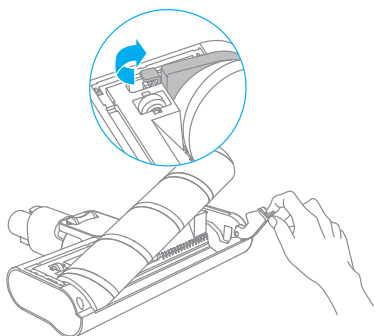
2. Instale a nova bateria.



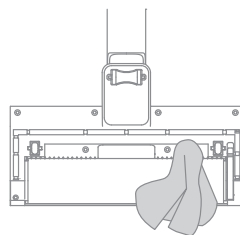
Limpeza da Barra de Escova de Rolo Macia

1. Empurre o botão de liberação da cabeça da barra na direção da seta até que a tampa da barra se abra, e remova a cabeça da barra, levantando-a na direção indicada.

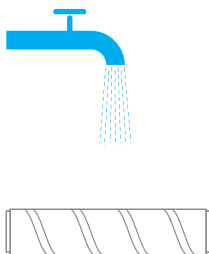
Observação: use pequenas ferramentas para erguer o clipe.



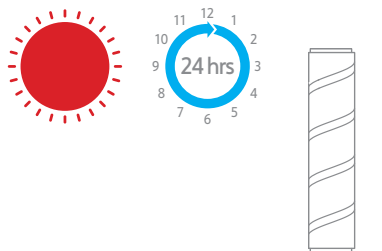
2. Use uma tesoura para cortar os cabelos e fibras que ficam presas na cabeça da escova. Limpe a poeira do entalhe e da tampa transparente com um pano seco ou toalha de papel. Seque bem antes de usar.



3. Quando estiver suja, enxágue a escova giratória com água até que esteja limpa.



4. Deixe a escova giratória em pé por pelo menos 24 horas até que esteja totalmente seca.



Especificações

Host			
Modelo	VPD1	Tensão de carga	30 V===
Potência nominal	350 W	Tensão nominal	25,2 V===
Tempo de carregamento	cerca de 2,5 horas	Capacidade de Carga	2000 mAh
Barra de Escova de Rolo Macia			
Modelo	AVB11		
Tensão de carga	40 W		
Tensão nominal	25,2 V===		
Adaptador de Energia			
Modelo	YLS0251B-E300080	Entrada	100-240 V~ 50/60 Hz 0,8 A Max
Saída	30 V===800 mA	Eficiência Ativa Média	88,53 %
Eficiência em baixa carga (10%)	78,66 %	Consumo de energia sem carga	0,09 W
Pacote de Bateria Recarregável de Íon-lítio			
Modelo	P2013A-7S1P-SCA	Capacidade Nominal	2000 mAh
Voltagem Nominal	25,2 V===	Energia	45,36 Wh

A bateria de íon de lítio contém substâncias que são prejudiciais ao meio ambiente. Antes de descartar o aspirador, remova primeiro a bateria e, em seguida, descarte ou recicle-a de acordo com as leis e regulamentações locais do país ou região.





Perguntas e Respostas

Se o aspirador não estiver funcionando corretamente, consulte a tabela de solução de problemas abaixo.

Erros	Causas Possíveis	Soluções
O aspirador não funciona.	O aspirador está sem bateria ou com pouca energia.	Carregue totalmente e continue a usá-lo.
	Modo de proteção contra superaquecimento acionado por um bloqueio.	Limpe as aberturas de sucção ou o duto de ar. Espere até que o aspirador esfrie e, em seguida, reative-o.
	Abertura de sucção ou duto de ar bloqueado.	Remova qualquer bloqueio da abertura de sucção ou duto de ar.
Força de sucção fraca.	O copo de poeira está cheio e / ou o conjunto do filtro está entupido.	Esvazie o copo de poeira e limpe o conjunto do filtro.
	Bloqueio de acessório.	Elimine bloqueio no acessório.
O motor tem um barulho estranho.	A abertura de sucção principal ou haste de extensão está bloqueada.	Remova qualquer bloqueio na abertura de sucção principal ou na haste de extensão.
O indicador da bateria não acende durante o carregamento.	O adaptador não está conectado ao aspirador.	Certifique-se de que o adaptador de energia esteja conectado corretamente.
	A bateria está totalmente carregada e entra no modo de espera.	Pode usar normalmente.
	Se o problema persistir após descartar as duas possibilidades acima.	Entre em contato com o departamento de serviço pós-venda para manutenção.
Carrega demasiado lentamente.	A temperatura da bateria está muito baixa ou muito alta.	Aguarde até que a temperatura da bateria volte ao normal e, em seguida, continue a usar o aspirador.

Solução de problemas

Se o vácuo não estiver funcionando corretamente, a tela exibirá uma mensagem de erro. Consulte a tabela de solução de problemas para encontrar sua solução.

Ícone de Erro	Causas Possíveis	Soluções
	Escova de rolo presa	Consulte a seção do guia de manutenção [Limpeza da barra da escova do rolo macio] para limpar o material de fibra e os cabelos enrolados na escova do rolo.
	Duto de ar bloqueado	Verifique se o tanque de poeira, a haste de extensão e a barra da escova do rolo macio estão bloqueados ou não.
	Erro	Entre em contato com nosso departamento de serviço pós-venda para manutenção.
	Superaquecimento	Aguarde e continue a usar quando a temperatura da bateria estiver normal.

Informações sobre WEEE



Todos os produtos com este símbolo são resíduos de equipamento elétricos e eletrônicos (a sigla é REEE conforme a diretiva 2012/19/UE), que não deve ser misturado com o lixo doméstico indiferenciado. Entretanto, deve proteger a saúde humana e o meio ambiente e entregue seu equipamento residual a um ponto de coleta designado para sua reciclagem, sendo indicado pelo governo ou pelas autoridades locais. O descarte e a reciclagem corretos ajudarão a prevenir potenciais consequências negativas para o meio ambiente e para a saúde humana. Entre em contato com o instalador ou as autoridades locais para obter mais informações sobre a localização, bem como os termos e condições de tais pontos de coleta.

Yanlış kullanımdan kaynaklanan elektrik çarpması veya yangın gibi kazaları önlemek için, lütfen kullanmadan önce bu kılavuzu dikkatlice okuyun ve ileride kullanmak için saklayın.

Uyarı

- Bu ürün, güvenli çalışmayı sağlamak ve herhangi bir tehlike riskinden kaçınmak için 8 yaş ve üzeri çocuklar ve fiziksel, duyuşsal, zihinsel yetersizlikleri veya sınırlı deneyimi veya bilgisi olan kişiler tarafından bir ebeveyn veya vasinin gözetimi altında kullanılabilir. Temizlik ve bakım, çocuklar tarafından yapılmamalıdır.
- Elektrikli süpürge bir oyuncak değildir. Çocuklar bu ürünle oynamamalı veya bu ürünü kullanmamalıdır. Lütfen elektrikli süpürgeyi çocukların yakınında kullanırken dikkatli olunuz. Bir ebeveyn veya vasi gözetiminde olmadıkça çocukların süpürgeyi temizlemesine izin vermeyin.
- Süpürgeyi dışarıda veya ıslak yüzeylerde kullanmayın. Elektrikli süpürgeyi yalnızca kuru iç mekan yüzeylerinde kullanın. Fişe veya elektrikli süpürgeyi herhangi bir kısmına ıslak ellerle dokunmayın.
- Yangın, patlama veya yaralanma riskini azaltmak için, kullanmadan önce lityum pilin ve şarj adaptörünün hasarsız olduğundan emin olun. Lityum pil veya şarj cihazı hasar görmüşse, vakumu kullanmayın.
- Elektrikli süpürge yumuşak rulo fırça başlığı, batarya, metal bağlantı çubuğu ve elektrik süpürgesi ana gövdesi elektronik parçalardır. Suya veya başka sıvılara batırarak yıkamayın. Günlük temizlikten sonra tüm filtrelerin tamamen kurduğundan emin olun.
- Hareketli parçalardan kaynaklanan yaralanmaları önleyin. Yumuşak döner fırça çubuğunu temizlemeden önce vakumu kapatın. Elektrikli süpürge kullanılmadan önce yumuşak rulo fırça başlığı, toz haznesi ve filtre düzgün şekilde takılmalıdır.
- Yalnızca orijinal şarj adaptörünü kullanın. Asla orijinal olmayan bir adaptör kullanmayın, bu, lityum pilin alev almasına neden olabilir.
- Elektrikli süpürgeyi benzin, çamaşır suyu, amonyak, su tahliye temizleyicileri vb. diğer sıvılar gibi yanıcı veya patlayıcı sıvıları toplamak için kullanmayın.
- Kireç, çimento, alçı tozu, şömine külü ve diğer külleri, büyük miktarlarda un, karbon tozu vb. temizlemek için elektrikli süpürgeyi kullanmak uygun değildir. Duman veya odun kömürü, sigara izmariti veya kibritlet gibi yanan malzemeleri elektrikli süpürgeyle temizlemek yasaktır.
- Lütfen kullanmadan önce temizlenecek alanı kontrol edin. Büyük kağıt parçaları, kağıt topları, plastik bezler veya sivri nesnelere (cam, çivi, vida, bozuk para vb.) ve kamış çapından daha büyük çaplı nesnelere bulursanız, çekme borusunu tıkamamak ve ürünün normal kullanımını etkilememek için lütfen önceden temizlenecek alana göz atınız.
- Ürün hava akış kanallarını ve hareketli parçaları saçtan, bol giysilerden, parmaklardan ve vücudun diğer kısımlarından uzak tutunuz. Metal bağlantı çubuklarını veya diğer aksesuarları gözlerinize, kulaklarınıza yaklaştırmayın veya bu aksesuarları ağızınıza sokmayın.
- Ağızlık üzerine herhangi bir nesne yerleştirilmesi yasaktır. Herhangi bir emme girişi tıkandığında elektrikli süpürgeyi kullanılması yasaktır. Toz, tüy, saç veya diğer öğeler hava akışını azaltabilir. Lütfen zamanında temizleyin.

- Süpürgeyi bir sandalyeye, masaya veya diğer dengesiz yüzeylere dayamayın çünkü bu makineye zarar verebilir veya kişisel yaralanmaya neden olabilir. Elektrikli süpürge devrilerek hasar görürse veya başka bir şekilde arızalanırsa, lütfen yetkili servis departmanımızla iletişime geçin. Cihazı asla kendi başınıza sökmeye çalışmayın.
- Kılavuzda pilin şarj edilmesine ilişkin tüm talimatlara kesinlikle uyulmalıdır. Pilin belirtilen sıcaklık aralığında düzgün şekilde şarj edilmemesi pile zarar verebilir.
- Merdivenleri temizlemek için süpürgeyi kullanırken lütfen çok dikkatli olun.
- Uzun süre kullanılmadığında ve ayrıca herhangi bir bakım veya onarım gerçekleştirilmeden önce elektrikli süpürgeyi fişinin çekildiğinden emin olun.
- Bu ürünü açık havada, banyolarda veya havuz çevresinde kurmayın, şarj etmeyin veya kullanmayın.
- Yangın Tehlikesi Uyarısı: Elektrikli süpürge filtresine herhangi bir koku uygulamayın. Bu tür ürünlerin, elektrikli süpürge alev almasına neden olabilecek yanıcı kimyasallar içerdiği bilinmektedir.
- Bu ürün yalnızca evde kullanım için tasarlanmıştır.
- Yalnızca orijinal şarj cihazını kullanın (YLS0251B-E300080). Bunun yapılmaması, lityum iyon pilin alev almasına neden olabilir.
- Aşırı sıcak veya soğuk ortamlarda (0 °C / 32 °F altı veya 40 °C / 104 °F üstü) kullanmayın ve saklamayın.
- Yalnızca onaylı pil tipini kullanın (P2013A-7S1P-SCA). Bunun yapılmaması, lityum iyon pilin alev almasına neden olabilir.

Dreame Trading (Tianjin) Co., Ltd. olarak biz, bu ekipmanın ilgili Direktiflere ve Avrupa Normlarına ve değişikliklere uygun olduğunu beyan ederiz. AB uygunluk beyanının tam metni aşağıdaki internet adresinde mevcuttur: www.dreame-technology.com

Ayrıntılı e-kılavuz için lütfen <https://www.dreame-technology.com/pages/user-manuals-and-faq> adresine gidin

Ek Listesi



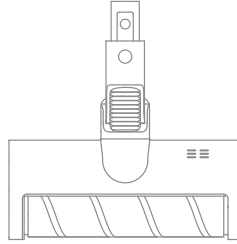
Uzatma Başlığı



2'si 1 Aralık Başlığı



Güç Adaptörü



Yumuşak Rulo Fırça Başlığı



Duvara Montaj
(Vidalar ×2, dübelller ×2 dahil)

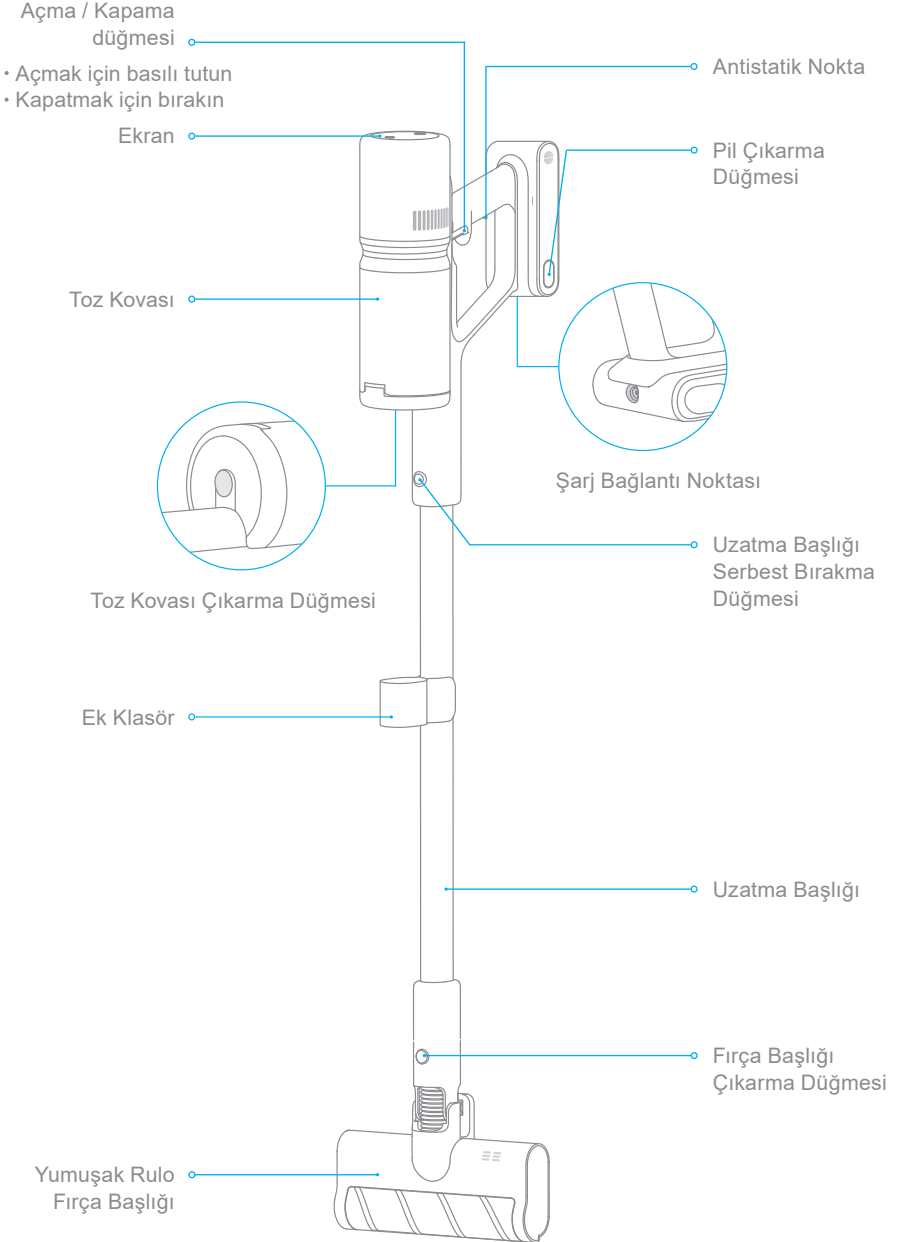


Ek Klasör

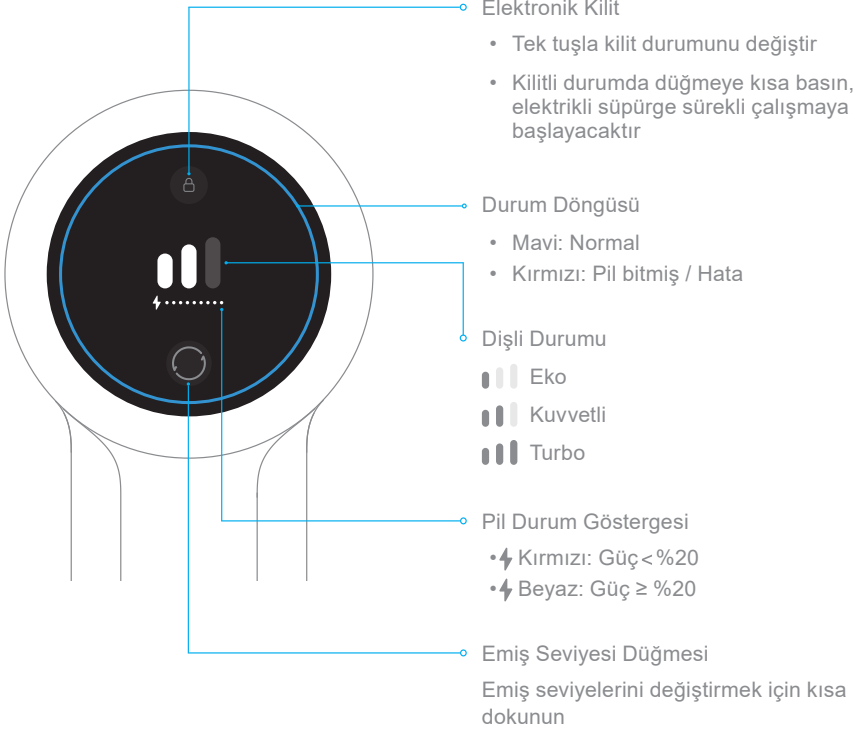
İpuçları: Bu kılavuzdaki çizimler yalnızca referans içindir ve gerçek görünüm, gerçek ürüne bağlıdır.

Ürün Açıklaması

Bileşen Adları



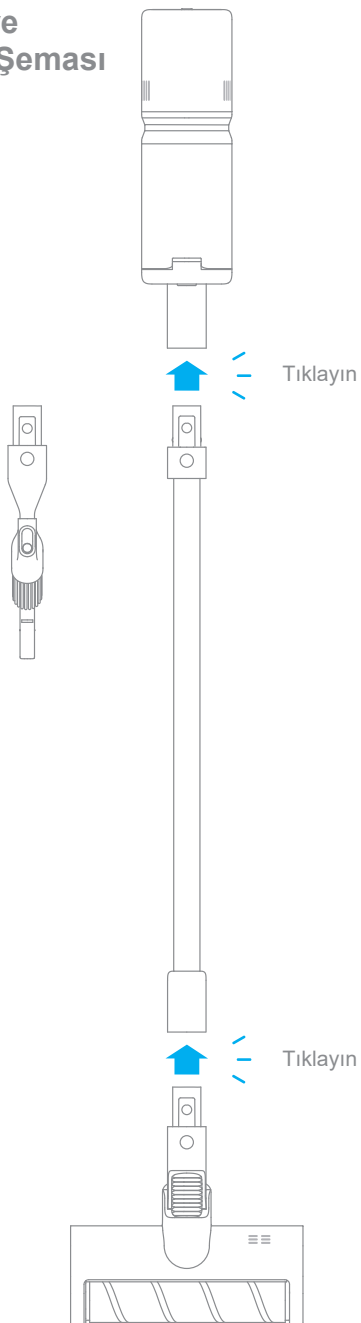
Ekran



İpuçları: Vakum düzgün çalışmıyorsa, ekran bir hata mesajı verecektir. Çözüm bulmak için lütfen sorun giderme bölümüne bakın.

Kurulum

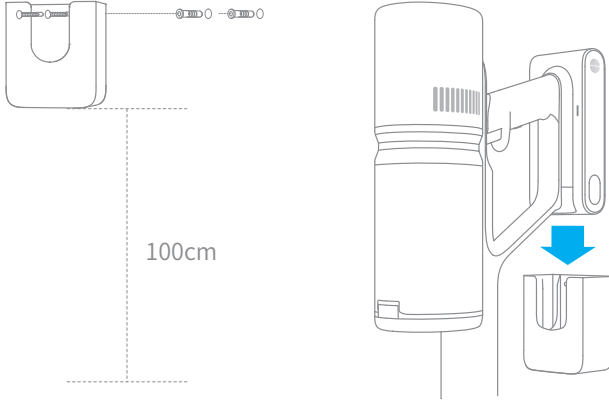
Elektrikli Süpürge ve Aksesuar Kurulum Şeması



Duvara Montaj Kurulum Şeması

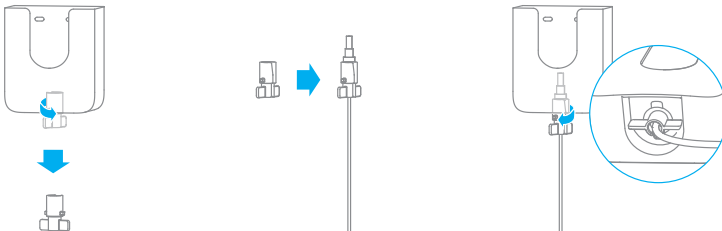
Montajda cihaz, bir elektrik prizinin yakınında serin ve kuru bir yere kurulmalıdır. Kurulum alanının gaz veya su hatları ve hava kanalları, elektrik telleri ve kabloları veya drenaj hatları gibi borulardan arındırılmış olduğundan emin olun.

1. Kurulmadan önce, zeminden 100 cm yükseklikte duvarı ölçün.
2. Bir matkapla duvarda iki adet 8mm çapında delik işaretleyin ve duvarı delin. Dübelleri deliklere yerleştirin.
3. Montajda üzerindeki delikleri duvardaki deliklerle hizalayın. Ürünle birlikte verilen vidalarla duvara sabitleyin.



Şarj Adaptörünü Duvar Montajına Bağlama Yöntemi

1. Montajdan çıkarmak için duvar montajının altındaki klipsi saat yönünün tersine 90° döndürün.
2. Şarj adaptörü kablosunu klips üzerindeki çentiğe takın.
3. Klipsi yerine oturana kadar saat yönünde 90° döndürün.

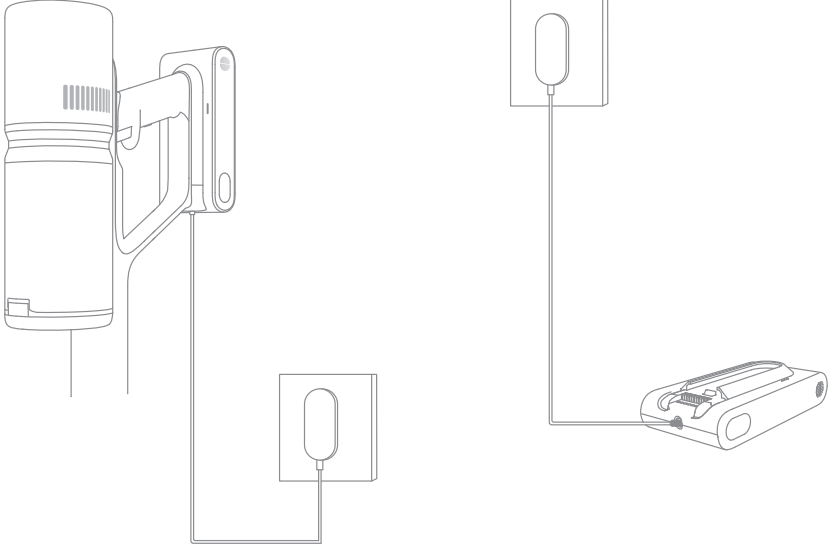


Şarj Oluyor

Şarj yöntemi

Not:

- Vakum, şarj sırasında kullanılamaz.
- İlk kez kullanmadan önce vakumu tamamen şarj edin. Bu yaklaşık 2,5 saat sürecektir.
- Turbo modunda uzun süre elektrikli süpürge çalışması pilin ısınmasına neden olarak şarj süresini uzatır. Şarj etmeden önce elektrikli süpürgeyi 30 dakika soğumaya bırakın.



Ekran

Pil Durum Göstergesi

- ⚡ Kırmızı: Güç < %20
- ⚡ Beyaz: Güç ≥ %20

Pil Göstergesi

Pil göstergeleri yanıp söner ve ardından pil durumuna bağlı olarak sırayla sürekli olarak parlaklaşır.

Not: 30 saniye sonra herhangi bir işlem yapılmazsa gösterge söner.

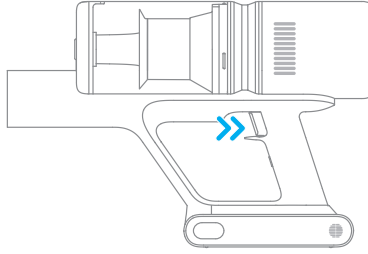


Çalışma Modu


İhtiyaçlarınıza göre elektrikli süpürge için iki çalışma yönteminden birini seçin.

Yöntem 1: Sürekli Olmayan Temizleme Modu

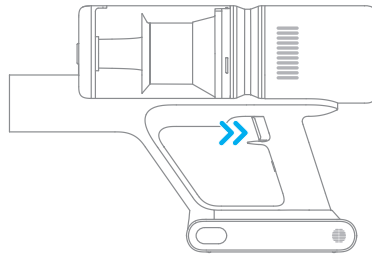
Açmak için açma / kapama düğmesini basılı tutun ve hemen durdurmak için bırakın.



Yöntem 2: Sürekli Temizleme Modu (Elektronik Kilit)

Sürekli Temizlik Moduna geçmek için  düğmesine tıklayın ve düğmesi açılır. Ardından, elektrikli süpürgeyi Sürekli Temizlik Modunda yapmak için açma / kapama düğmesini bırakın.

Parmaklarınızı serbest bırakmak ve düğmeyi basılı tutmanın neden olduğu parmak yorgunluğunu önlemek için elektronik kilidi kullanın.



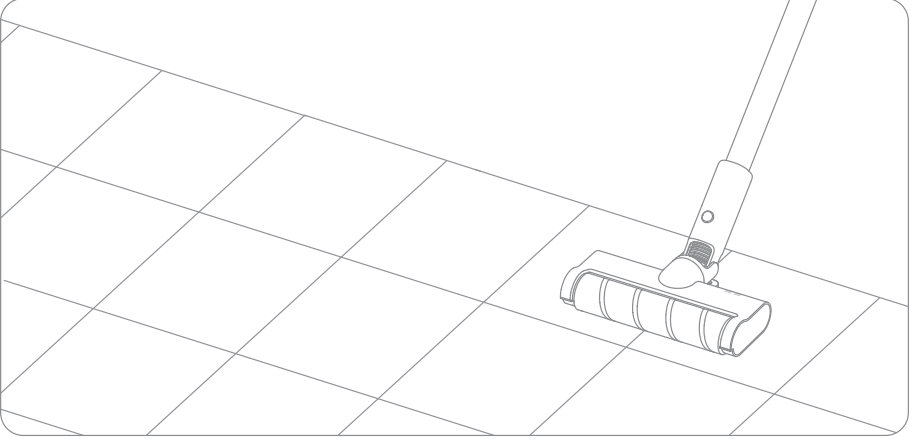
Obeservação:

- Bu modda, çalışmayı askıya almak veya tekrar başlatmak için açma / kapama düğmesine kısaca basın ve elektrikli süpürge çalışma modu değişmeyecektir.
- Sürekli Temizlik Modundan çıkmak için elektronik kilide tekrar tıklayın.

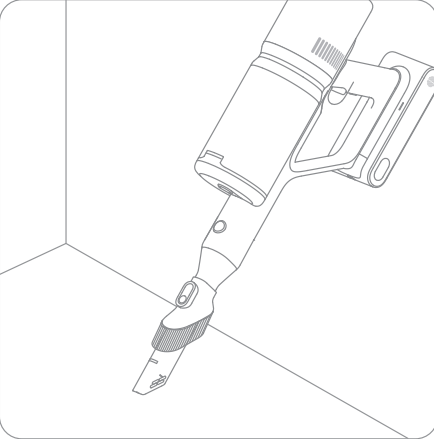
Ürün Kullanımı

Farklı Aksesuarların Kullanılması

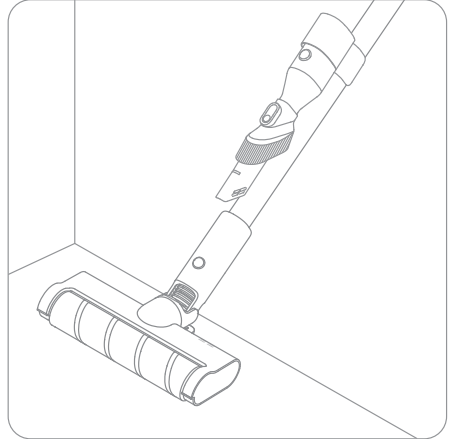
Yumuşak kadife rulo fırça emme başlığı: Mermer ve sert zemin yüzeylerin temizliği için uygundur.



2'si 1 arada düz emiş: Kapı ve pencere köşeleri, duvar köşeleri, merdivenler vb. gibi küçük boşlukları temizlemek için uygundur.



Ek Klasör: 2'si 1 arada aralık başlığı, kullanılmadığında gösterildiği gibi bağlantı klipsinde saklanabilir.



Not:

- Dönen herhangi bir parça sıkışırsa ürün otomatik olarak durabilir ve sıkışan tüm yabancı cisimleri çıkardıktan sonra kullanmaya devam edebilirsiniz.
- Pil yüksek sıcaklık korumasından sonra otomatik olarak duracaktır, lütfen kullanmaya devam etmeden önce pil sıcaklığının normale dönmesini bekleyin.

Önlemler

1. Parçaların gerektiğinde değiştirilmesi gerekiyor, elektrikli süpürge'nin uygunsuzluğundan dolayı hasar görmesini önlemek için lütfen orijinal üretici tarafından belirtilen parçaları kullanın.
2. Ürünü uzun süre kullanmayacağınız zaman, lütfen güç adaptörünü tamamen çıkarın. Serin ve kuru bir yere koyun. Doğrudan güneş ışığına veya nemli bir ortama koymayın. Pilin aşırı deşarj nedeniyle hasar görmesini önlemek için pili en az üç ayda bir yeniden şarj edin.

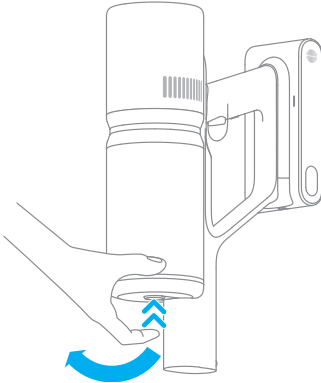
Elektrikli Süpürge Temizliği

Elektrikli süpürgeyi yumuşak kuru bir bezle silin.

Toz kovasını ve filtreyi temizleyin

Temizlemeden önce, lütfen güç adaptörünün bağlantısının kesildiğinden emin olun ve elektrikli süpürgeyi çalıştırmak için yanlışlıkla anahtara dokunmamaya dikkat edin.

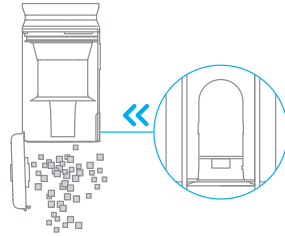
1. Toz kabı çıkarma düğmesine basın, toz kabını tutun ve şekilde gösterilen yönde elektrikli süpürge'den uzağa doğru eğin.



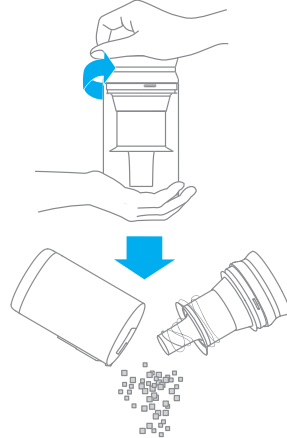
2. Tozu toz kabına boşaltmak için toz kabının alt kapağının serbest bırakma düğmesine basın.

İpucu: Her kullanımdan sonra temizlemeniz önerilir.

- Yöntem 1: Toz kabının alt kapağının serbest bırakma düğmesine basın.

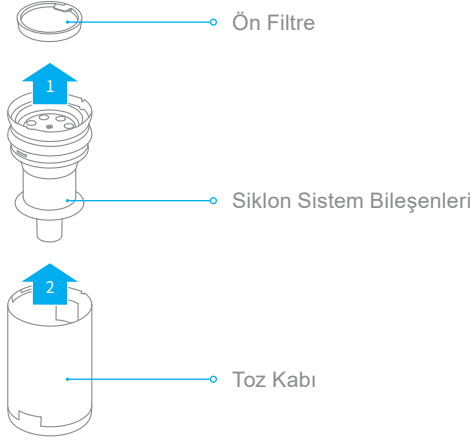


- Yöntem 2: Toz kabının üst kapağını tutun ve siklon sistemi bileşenlerini çıkarın.

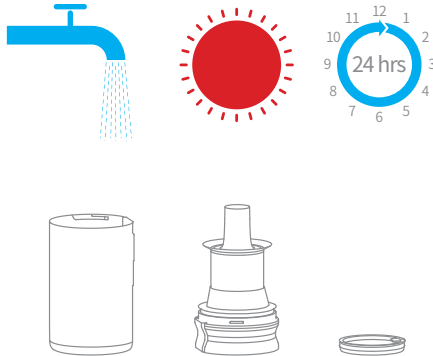


TR Bakım ve Onarım

3. Ön filtreyi çıkarın ve çıkarmak için siklon sistemi bileşenlerini yavaşça sola ve sağa döndürün.



4. Ön filtreyi, siklon sistemi bileşenlerini ve toz kabını temizlenene kadar temiz suyla durulayın. Duruladıktan sonra, tam kurumasını sağlamak için en az 24 saat kurumaya bırakın.



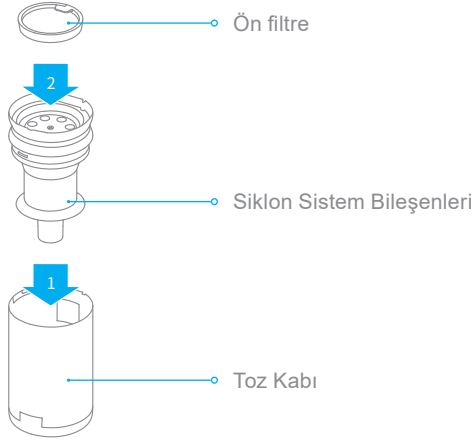
Not:

- Toz kabının ayda en az bir kez temizlenmesi önerilir.
- Siklon sistem bileşenlerinin temizlenmesi ve ön filtrenin 3-4 ayda bir yapılması önerilir.

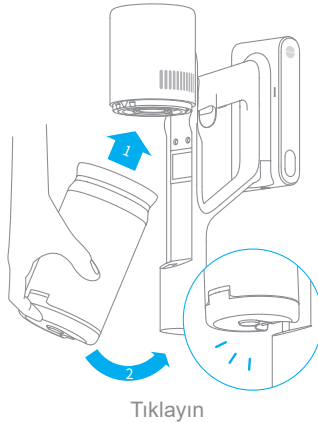
Toz haznesi tertibatını takın

Not: Kurulumdan önce tüm filtrelerin tamamen kurduğundan emin olun.

1. Sırayla siklon sistemi bileşenlerini ve ön filtreyi çevirin.



2. Toz kabının kenar yuvasını ana bilgisayarın sınır çıkıntısı ile geçirin, toz kabını elektrikli süpürgeye biraz altına itin ve kurulumun başarılı olduğunu belirtmek için bir "klik" sesi duyun.

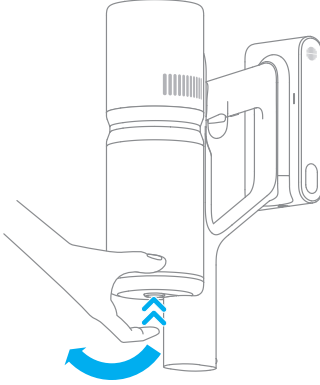


Bakım ve Onarım

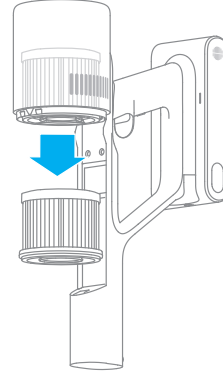
Yerleşik filtresini temizleyin

4-6 ayda bir temizlenmesi tavsiye edilir.

1. Şekilde gösterildiği gibi toz kovasını çıkarın.

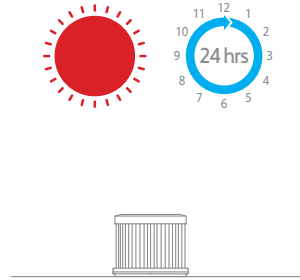
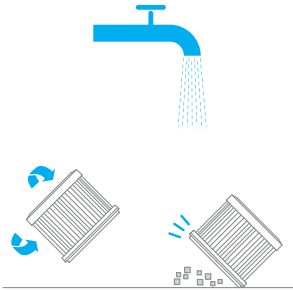


2. Yerleşik filtreyi elektrikli süpürgeден çıkarmak için gösterilen yönde aşağı çekin.



3. filtreyi temiz suyla temizleyin. Temizlerken, filtrenin boşluklarındaki tozun temizlendiğini doğrulamak için filtreyi 360° döndürün. Tüm tozu temizlemek için lavaboya birkaç kez dokununuz.

4. Tam kuruma sağlamak için yerleşik filtreyi en az 24 saat havada bırakın.



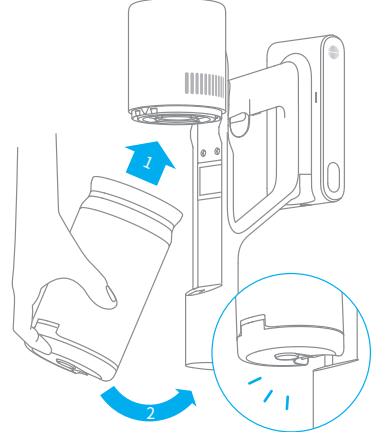
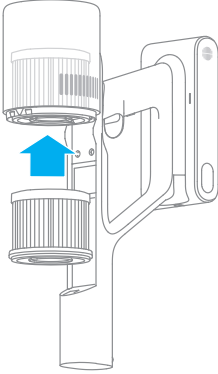
Not:

- Lütfen temiz su ile yıkayınız, herhangi bir deterjan eklemeyiniz.
- filtreyi temizlemek için lütfen fırça veya parmak kullanmayın.

Yerleşik filtresi takın

1. Yerleşik filtresini şekilde gösterildiği gibi elektrikli süpürgeyi geri takın ve hafifçe bastırın.

2. Toz kabını değiştirin.



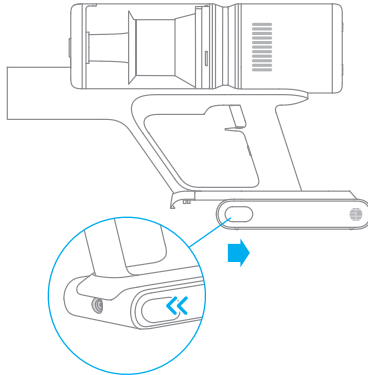
Tıklayın

Pil Paketi

Bu üründeki yeniden doldurulabilir lityum pil takım çarkabilir ve bir sarf malzemesidir. Doğru kullanıldıktan sonra bile kullanım süresi önemli ölçüde kıldında, pil ömrüne ulaşabileceğini anlamına gelir.

1. Pil paketini çarkarmak için pil paketi çarkarma dümesine basın ve basılı tutun ve geri kaydırın.

2. Yeni bir pil paketi takın.

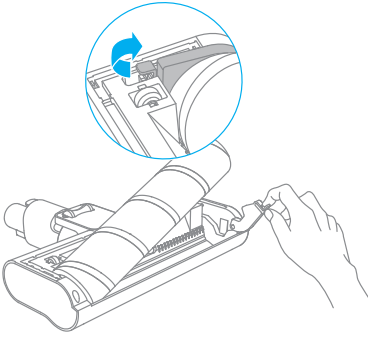


Bakım ve Onarım

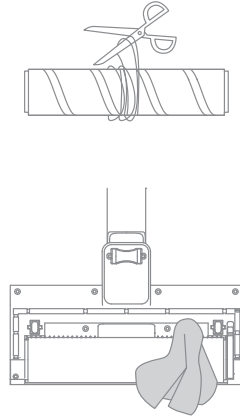
Yumuşak kadife rulo fırça ucunu temizleyin

1. Yumuşak kadife merdane fırçanın emme başlığını ters çevirin, merdaneli fırça serbest bırakma düğmesini çekin ve merdaneli fırçayı yuvadan çıkarın.

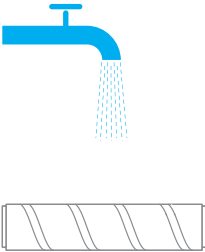
İpucu: Tokayı kaldırmak için küçük bir alet kullanabilirsiniz.



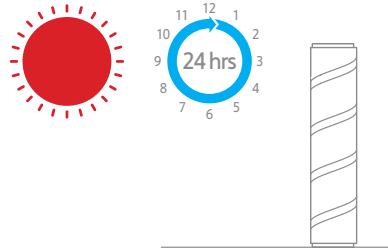
2. Rulo fırça üzerindeki kılları ve lifli malzemeleri almak ve kesmek için makas kullanın. Çentik ve şeffaf kapak üzerindeki tozu silmek için kuru bir bez veya kağıt havlu kullanın.



3. Kirlendiğinde, döner fırçayı temiz olana kadar temiz suyla durulayabilirsiniz.



4. Kurutma sırasında, iyice kuruması için rulo fırçayı en az 24 saat dik konumda tutun.



Temel Parametreler

Elektrikli Süpürge			
Model	VPD1	Şarj Gerilimi	30 V ===
Anma Gücü	350 W	Anma Gerilimi	25,2 V ===
Şarj Süresi	Yaklaşık 2,5 saat	Değerlendirilmiş Kapasite	2000 mAh
Yumuşak Kadife Rulo Fırça Başlığı			
Model Numarası	AVB11		
Anma Gücü	40 W		
Anma Gerilimi	25,2 V ===		
Adaptador de Energia			
Model	YLS0251B-E300080	Giriş	100-240 V ~ 50 / 60 Hz 0,8 A Maks
Çıktı	30 V === 800 mA	Ortalama Aktif Verimlilik	% 88,53
Düşük Yükte Verimlilik (% 10)	% 78,66	Yüksüz Güç Tüketimi	0,09 W
Şarj edilebilir lityum iyon pil takımı			
Model	P2013A-7S1P-SCA	Değerlendirilmiş Kapasite	2000 mAh
Nominal Gerilim	25,2 V ===	Enerji	45,36 Wh

Bu cihaz, atıldığında çevreye zararlı olan şarj edilebilir bir lityum pil paketi içerir. Lütfen pili çıkarın ve cihazı atmadan önce profesyonel bir geri dönüşüm kuruluşuna gönderin.

Elektrikli süpürge normal çalışmadığında, anormal durumla başa çıkmak için lütfen aşağıdaki tabloya bakın.

Hatalar	Olası Nedenler	Çözüm
Elektrikli süpürge çalışmıyor	Ürün bitmiş veya azalmış	Lütfen kullanmadan önce ürünü tamamen şarj edin
	Tıkanma nedeniyle yüksek sıcaklıkla tetiklenen otomatik koruma	Toz emme portunu veya kanalı temizleyin, soğuduktan sonra yeniden başlatın
	Toz emme portu veya kanalı tıkalı	Emme portunu veya kanalı temizleyin
Ürün emişi zayıfladı	Toz haznesi dolu ve filtre elemanı tozla tıkanmış	Toz kabı çöpünü temizleyin ve filtre elemanını temizleyin
	Temiz aksesuarlar engellendi	Temizleme aksesuarlarının tıkanıklıklarını temizleyin
Motor çalışırken anormal ses var	Ana emme portu veya metal bağlantı çubuğu tıkalı	Ana emme portundaki ve metal bağlantı çubuğundaki engelleri temizleyin
Pil durumu göstergesi şarj olurken yanmıyor	Elektrikli süpürge ve güç adaptörü soketi düzgün bağlanmamış	Güç adaptörünün takılı olup olmadığını kontrol edin
	Pil tamamen dolu ve pil uykü durumuna giriyor	Normal olarak kullanılabilir
	Sorun devam ederse, yukarıdaki iki durumu hariç tutun	Onarım için lütfen satış sonrası servisle iletişime geçin
Çok yavaş şarj oluyor	Pil sıcaklığı çok düşük veya çok yüksek	Lütfen şarj etmeden önce pil sıcaklığının normale dönmesini bekleyin

Sorun Giderme

Elektrikli süpürge normal çalışmadığında, ekranda bir arıza simgesi belirecektir Çözümler için lütfen aşağıdaki tabloya bakın.

Arıza Simgesi	Olası Nedenler	Çözüm
	Rulo fırça tıkalı	Lifli malzemeyi ve rulo fırçanın etrafına sarılan tüyleri temizlemek için bakım kılavuzu [Yumuşak Silindir Fırça Çubuğunu Temizleme] bölümüne bakın.
	Hava kanalı tıkalı	Toz haznesinin, metal bağlantı çubuğunun ve yumuşak kadife rulo fırça emme kafasının tıkalı olup olmadığını kontrol edin.
	Hata	Onarım için lütfen satış sonrası servisimize iletişime geçiniz.
	Yüksek sıcaklık uyarısı	Lütfen kullanmaya devam etmeden önce pil sıcaklığının normal olmasını bekleyin.

WEEE Bilgileri



Bu simgeyi taşıyan tüm ürünler atık elektrikli ve elektrondür sınıflandırılmamış evsel atıklarla karıştırılmaması gereken ekipman (2012/19 / EU direktifindeki gibi WEEE). Bunun yerine, atık ekipmanınızı hükümet veya yerel yetkililer tarafından atanan, atık elektrikli ve elektronik ekipmanın geri dönüşümü için belirlenmiş bir toplama noktasına teslim ederek insan sağlığını ve çevreyi korumalısınız. Doğru imha ve geri dönüşüm, çevre ve insan sağlığı için olası olumsuz sonuçları önlemeye yardımcı olacaktır. Lütfen bu tür toplama noktalarının yeri ve hüküm ve koşulları hakkında daha fazla bilgi için kurulumcu veya yerel yetkililerle iletişime geçin.