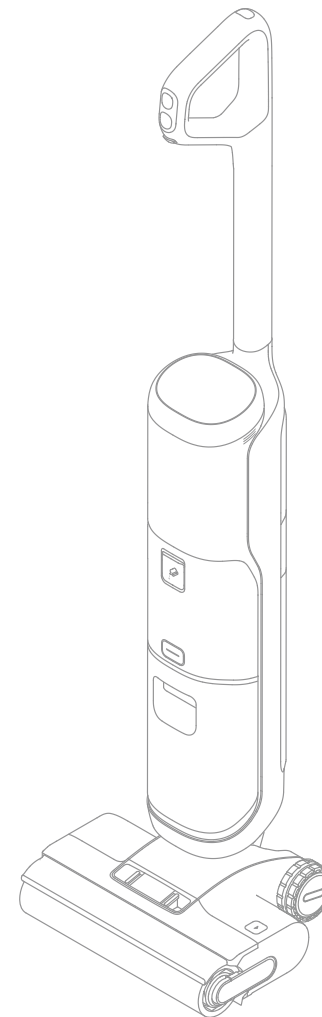


- The word "dreame" is the abbreviation of Dreame Technology Co., Ltd. and its subsidiaries in China. It is the transliteration of the company's Chinese name "追觅", which means striving for excellence in every endeavor and reflects the company's vision of continuous pursuit, exploration and search in technology.

Dreame H14 Pro

Wet and Dry Vacuum

User Manual



Website: <https://global.dreame.tech.com>
Manufactured by: Dreame Trading (Tianjin) Co., Ltd.
Made in China

YYYY-MM
HHR31A-EU-A01



The illustrations in this manual are for reference only.
Please refer to the actual product.

DREAME

THANK YOU

FOR PURCHASING THIS DREAME
WET AND DRY VACUUM.

Registration Quick Start

Welcome to register a Dreame account by scanning the QR code. You are available for the **User Manual** and **Special Offers**.



The high-quality product is engineered for optimal performance.
If you have any questions on the product, please contact us:
aftersales@dreame.tech.

Contents

EN	User Manual	01
DE	Bedienungsanleitung	21
FR	Manuel d'utilisation	42
IT	Manuale d'Uso	62
ES	Manual de Usuario	82
NL	Gebruikershandleiding	102
AR	Manual de usuario	122
HE	Gebruikershandleiding	142



Please scan the QR code for the User Manual.

Important Safety Instructions

Please read this manual carefully before use and retain it for future reference.

When using an electrical appliance, basic precautions should always be followed, including the following:

READ ALL INSTRUCTIONS BEFORE USING (THIS APPLIANCE). Failure to follow the warnings and instructions may result in electric shock, fire and/or serious injury.

WARNING — To reduce the risk of fire, electric shock, or injury:

Usage Restrictions

- This appliance should not be used by children younger than 8 years old nor persons with physical, sensory, intellectual deficiencies, or limited experience or knowledge without the supervision of a parent or guardian to ensure safe operation and to avoid any risks. Cleaning and maintenance shall not be performed by children without supervision.
- Plastic film can be dangerous. To avoid the danger of suffocation, keep it away from children. Children shall not play with the appliance.
- Use indoors only, on non-carpeted floor surfaces such as vinyl, tile, sealed wood, etc. Be careful not to run over loose objects or the edges of area rugs. Stalling the brush may result in premature belt failure.
- Use only as described in this user guide. Use only manufacturer's recommended attachments.
- Do not expose the appliance to fire or excessive temperature. Exposure to fire or excessive temperature may cause an explosion.
- Do not use in extremely hot or cold environments (below 5°C/41°F or above 40°C/104°F). Please charge the appliance in temperature above 5°C/41°F and below 40°C/104°F.
- Do not immerse the appliance in liquid.
- Do not use to pick up flammable or combustible liquids, such as gasoline. Do not use in areas where flammable or combustible liquids may be present.
- Do not put any object into openings. Do not use the appliance when any opening is blocked. Keep free of dust, lint, hair, and anything that may inhibit air flow.
- Do not pick up toxic material (chlorine bleach, ammonia, drain cleaner, etc.). Do not pick up hard or sharp objects such as glass, nails, screws, coins, etc.
- Do not use the appliance in an enclosed space filled with vapor given off by oil-based paint, paint thinner, some moth-proofing substances, flammable dust, or other explosive or toxic vapour. Do not pick up anything that is burning or smoking, such as cigarettes, matches or hot ashes.
- Do not use the appliance without filters in place.
- Keep hair, loose clothing, fingers, and all parts of the body away from openings and moving parts of the appliance and its accessories.
- Keep ground cables away from the appliance when using it. A hazard may occur if the appliance runs over a supply cord.
- Use extra care when cleaning on stairs.

Important Safety Instructions

Maintenance and Storage


- Prevent unintentional starting. Ensure the switch is in the OFF-position before picking up or carrying the appliance. Carrying the appliance with your finger on the switch or turning on the appliance may result in an accident.
- Ensure that the appliance is placed on a horizontal surface. Do not use the appliance at the same position if the appliance is equipped with a brush roller and the handle is not completely upright. Do not store the appliance in a place where it may freeze.
- Switch off and unplug the appliance when not in use, before cleaning, maintaining or servicing it, and before connecting or disconnecting it with a moving brush.
- Do not use an appliance that is damaged or modified. A damaged or modified appliance may exhibit unpredictable behavior resulting in fire, explosion, or risk of injury.
- Do not modify or attempt to repair the appliance except as indicated in the instructions for use and care.
- Do not use the appliance with a damaged attachment (eg: charging base, supply cord etc.). If the appliance or attachment has been dropped, damaged, left outdoors, dropped into water, or is not working as it should, never attempt to operate it. Please have it repaired at an authorized service center.
- Have servicing performed by a qualified repair person using only identical replacement parts. This will ensure that the safety of the appliance is maintained.
- If the supply cord is damaged, it must be replaced by the manufacturer, its service agent or similarly qualified persons in order to avoid a hazard.

Battery and Charging

- For the purpose of recharging the appliance, only use the charging base provided with this appliance. Use only with HCBM charging base.
- Follow all charging instructions and do not charge the appliance outside of the temperature range specified in the battery as doing so increases the risk of fire.
- Charging base is equipped with drying function and only suitable for drying this appliance's brush.
- Keep the charging base cable away from heated surfaces. Do not handle the charging base plug or appliance with wet hands. To unplug, grasp the charging base plug, rather than the cable.
- Do not pull or carry charging base by cable, use cable as a handle, close door on cable, or pull cable around sharp edges or corners.
- Do not use any non-rechargeable battery pack. Failing to do so may cause the lithium-ion battery to catch fire. This appliance contains batteries that can only be replaced by qualified technicians or after-sales service.
- The lithium-ion battery pack contains substances that are hazardous to the environment. Before disposing of the appliance, please first remove the battery pack, then discard, or recycle it in accordance with local laws and regulations of the country or region it is used in.
- The appliance must be disconnected from the power supply when removing the battery. Keep batteries out of the reach of children. Never put batteries in mouth. If

Important Safety Instructions

swallowed, contact your physician or local poison control.

- Under abusive conditions, never contact the battery from which the liquid may be ejected. If contact accidentally occurs, rinse with water. If liquid contacts eyes, seek medical help immediately. Liquid ejected from the battery may cause irritation or burns.
- The charging base is capable of charging the 6-cell 5000 mAh battery pack. This charging base should not be used to charge non-rechargeable batteries. Failing to do so may cause the lithium-ion battery to catch fire.
- The charging base is marked with a  icon indicating "Caution: Hot Surface." Do not touch the brush roller, hot water, or heating module of the charging base while self-cleaning with hot water.

Symbols



Class II equipment



Time-lag miniature fuse-link where T 3.15A is the symbol for the time/current characteristic



For indoor use only



Read operator's manual



Caution: Hot Surface



WEEE Information

All products bearing this symbol are waste electrical and electronic equipment (WEEE as in directive 2012/19/EU) which should not be mixed with unsorted household waste. Instead, you should protect human health and the environment by handing over your waste equipment to a designated collection point for the recycling of waste electrical and electronic equipment, appointed by the government or local authorities. Correct disposal and recycling will help prevent potential negative consequences to the environment and human health. Please contact the installer or local authorities for more information about the location as well as terms and conditions of such collection points.

We, Dreame Trading (Tianjin) Co., Ltd., hereby declares that this equipment is in compliance with the applicable Directives, European Norms, and amendments. The full text of the EU declaration of conformity is available at the following internet address: <https://global.dreameotech.com>

For detailed e-manual, please go to <https://global.dreameotech.com/pages/user-manuals-and-faqs>

Product Overview

Packing List



Spare Brush Roller



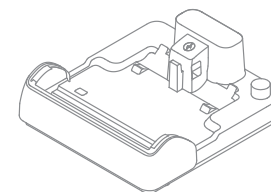
Replacement Filter



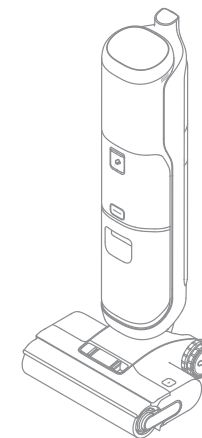
Handle



Cleaning Brush

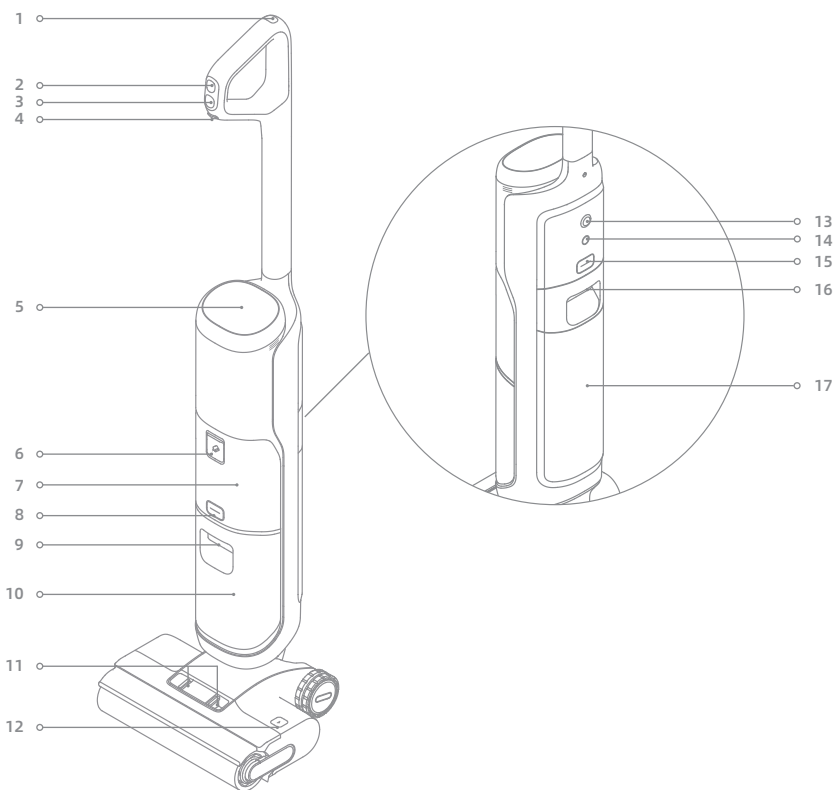


Charging Base



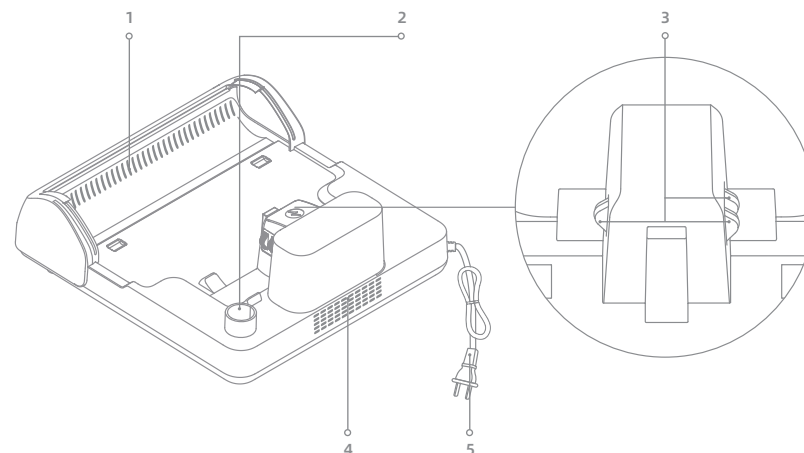
Main Body

Vacuum



- | | | |
|--|---------------------------------------|---|
| 1 Self-Cleaning Button | 8 Clean Water Tank Release Button | 14 Voice Prompt/Wi-Fi Button |
| 2 Mode Switch | 9 Clean Water Tank Handle | <ul style="list-style-type: none"> Press briefly to activate the voice prompt or adjust the volume Press and hold to start Wi-Fi setup/Reset Wi-Fi Set languages via the APP |
| 3 Power Switch | 10 Clean Water Tank | 15 Used Water Tank Release Button |
| 4 Auto Distribute Switch | 11 Brush Roller Cover Release Buttons | 16 Used Water Tank Handle |
| Turn on/off the function of distributing the cleaning solution intelligently | 12 Brush Roller Release Button | 17 Used Water Tank |
| 5 Display Screen | 13 Omnidirectional Wheel | |
| 6 Cleaning Solution Port | | |
| 7 Cleaning Solution Box | | |

Charging Base



- | | | | | |
|---------------------|--------------------------|---------------------|--------------------|--------------|
| 1 Air-Drying Outlet | 2 Accessory Storage Slot | 3 Charging Contacts | 4 Air-Drying Inlet | 5 Power Cord |
|---------------------|--------------------------|---------------------|--------------------|--------------|

Display Screen



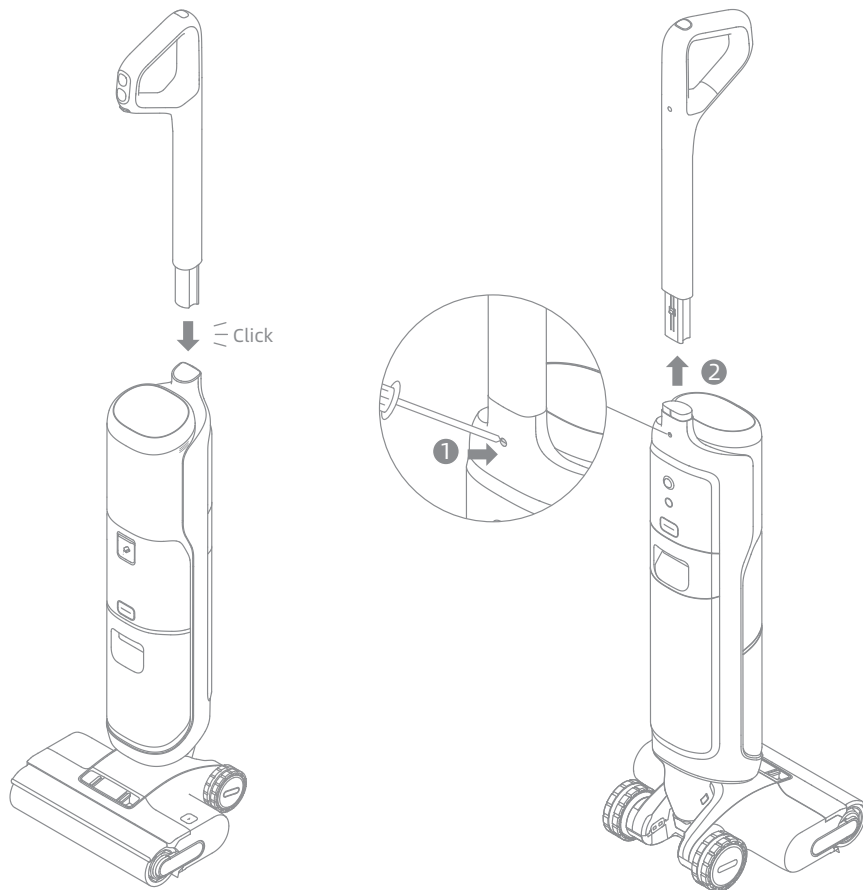
- | | | |
|----------------|---|---|
| 1 Auto Mode | 5 Drying Mode | 7 Charging/Low Battery Indicator |
| 2 Ultra Mode | When the drying mode is on, both ☀ and 🌀 icons will illuminate. | 8 Error Messages |
| 3 Suction Mode | 6 Dust Concentration Indicator/Drying Process Indicator | 9 Wi-Fi Indicator |
| 4 Custom Mode | <ul style="list-style-type: none"> The color of the indicator changes with the amount of dirt in real time when in use. The indicator indicates the drying process. | 10 Cleaning Solution Status Indicator |
| | | <ul style="list-style-type: none"> Solid On: Diluting function enabled Flashing: Low dilution level |

Note: If the appliance is not working properly, the display screen will show an error message or error code. Please refer to the Error Prompts and Solutions table to find your solution.

Installation

Installing the Handle

Insert the end of the handle vertically into the port on the top of the appliance as indicated until you hear a click.



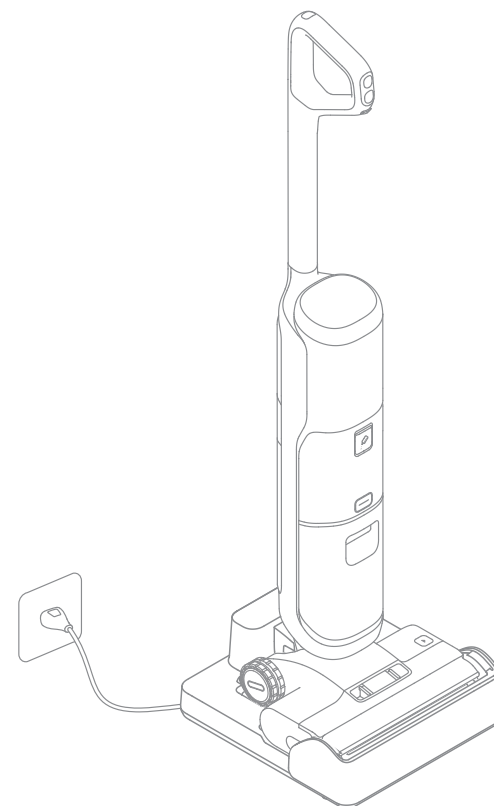
Note: To disassemble, extend a hard object into the hole of the appliance as indicated to press in the contacts and pull the handle upwards at the same time.

Charging

1. Place the charging base against a wall on level ground and connect it to a power source. Fully charge the appliance before first use.
2. Place the appliance on the charging base. When the number on the display screen reaches 100, the battery is fully charged.

⚡ Charging/Low Battery Indicator

- Orange Breathing: Battery level $\leq 20\%$ (charging)
- Green Breathing: Battery level $> 20\%$ (charging)
- Solid Green: Full charged
- Solid Orange: Battery level $\leq 20\%$



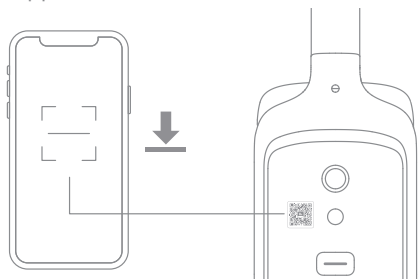
Note:

- If there is no operation within 10 minutes of being fully charged, the vacuum will enter sleep mode. Please restart the appliance if you need to use it.
- To extend the battery life time, the battery keeps cooling down automatically after you have used the appliance for a long time.

Connecting with Dreamehome App

1. Download the Dreamehome App

Scan the QR code on the appliance, or search "Dreamehome" in the app store to download and install the app.



Note:

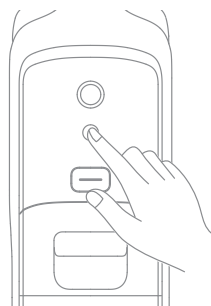
- Only 2.4 GHz Wi-Fi is supported.
- Due to upgrades in the app software, the actual operations may differ from the directions in this manual. Please follow the instructions based on the current app version.

2. Add Device

- 1 Press the power switch briefly to power on.



- 2 Press and hold the voice prompt/Wi-Fi button located on the back of the appliance to set up Wi-Fi connection. The Wi-Fi indicator pulses in white, and voice prompt says, "Waiting for the network configuration."



- 3 Open the Dreamehome app and scan the same QR code on the appliance again to add the device. Please follow the prompts to finish the Wi-Fi connection.



Wi-Fi Indicator

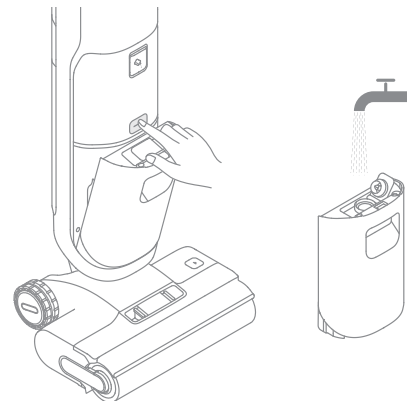
- Breathing: To be connected
- Blinking: Connecting/OTA upgrading
- On: Connected

Note: The appliance will exit the network connection if there is no operation for 10 minutes, or if the network connection fails. To reset Wi-Fi, please repeat the steps above and complete the connection according to the prompts in the app.

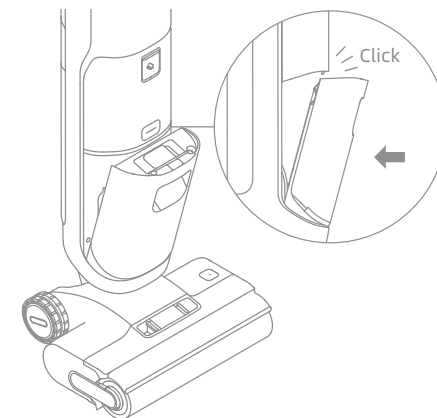
How to Use

Filling the Clean Water Tank

1. Press the Clean Water Tank release button to remove the tank. Open the tank cover and fill the tank with clean water.

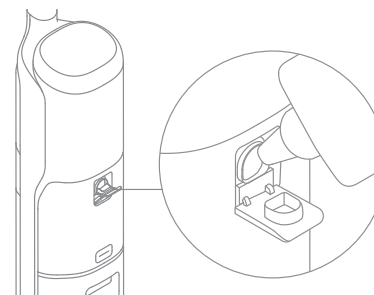


2. Install the Clean Water Tank and ensure it clicks into place.

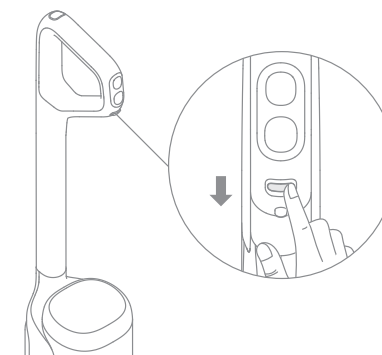


Adding Cleaning Solution

1. Open the cover of the cleaning solution box, fill it with the cleaning solution, and close the cover tightly.



2. Turn on the auto distribute switch, and then the screen will light up. The appliance will intelligently adjust the ratio of cleaning solution to water according to the dirt on the floor to clean the floor efficiently.



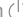
Note:

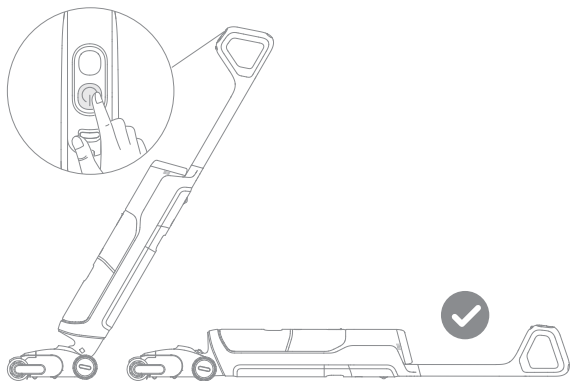
- When using, please add the cleaning solution directly into the cleaning solution box. The main body will adjust the dilution ratio according to the settings in the app settings and the dirt condition.
- Do not use any liquids other than the officially-approved clean solution. The clean solution is available on the official online store.
- The screen flashes to indicate that the cleaning solution is exhausted. Please refill the cleaning solution in time.
- If the cleaning solution is not used temporarily, you can turn off the smart switch.

WARNING: To reduce the risk of fire and electric shock due to internal component damage, use only dreame cleaning fluid intended for use with the appliance.

How to Use

Starting Cleaning

Gently step on the brush cover and recline the appliance backwards. Press the power switch  to start/stop operating. If the appliance is in the upright position while working, the current task will be suspended. The appliance is designed for lying flat at a 180-degree angle, enabling it to reach and clean under the low-profile furniture.



Note:

- Do not vacuum any foamy liquids.
- Make sure the appliance is in upright position before turning off the power while the appliance is lying flat.
- The appliance is suitable for cleaning floors, marble, tiles and other hard surfaces.
- When the appliance is in operation, do not lift it off the ground, move it or tilt it. Otherwise, the used water may flow into the motor.
- The LED lighting function is enabled by default and only lights up during floor washing. This function can be disabled through the APP.

Switching Modes

Press the mode switch  to switch modes according to your needs.



Auto Mode

The appliance will intelligently adjust the suction power according to the stains on the ground.



Ultra Mode

Preparing ultra mode, please wait for 30 seconds. This mode is suitable for deep cleaning.



Suction Mode

If suction mode is selected, the appliance will vacuum water only; the brush roller will not be dampened, and no water will be dispensed from the Clean Water Tank.



Custom Mode

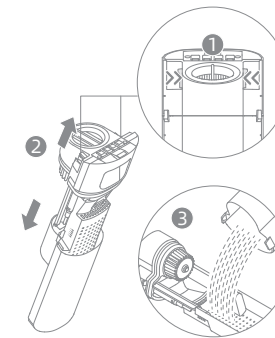
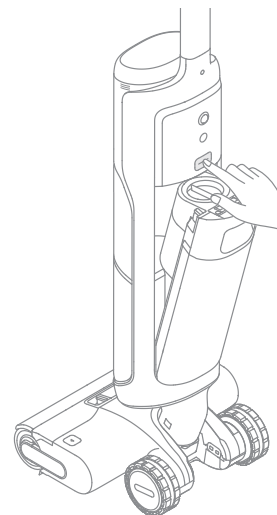
Suction power, water volume, etc. can be adjusted within the APP. The main body will start working according to the settings in the APP.

How to Use

Emptying the Used Water Tank

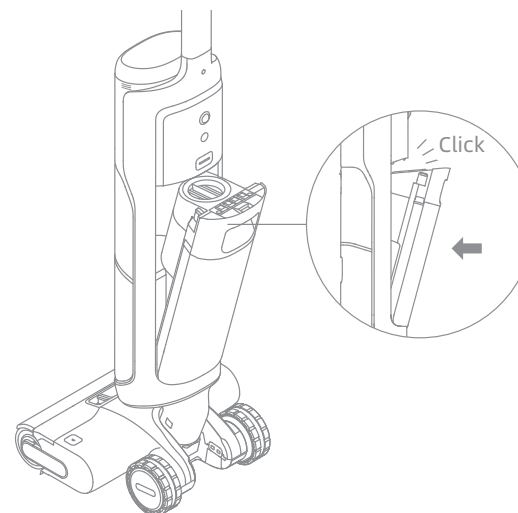
1. Press the Used Water Tank release button to remove the tank.

2. Press the Used Water Tank cover release buttons to remove the tank cover. Pour out the used water and use the solid waste filter basket to separate the solid waste from the used water.





Note: The solid filter basket is a detachable component. The appliance can be used normally after the part is removed.

3. Re-install the Used Water Tank until you hear a click.

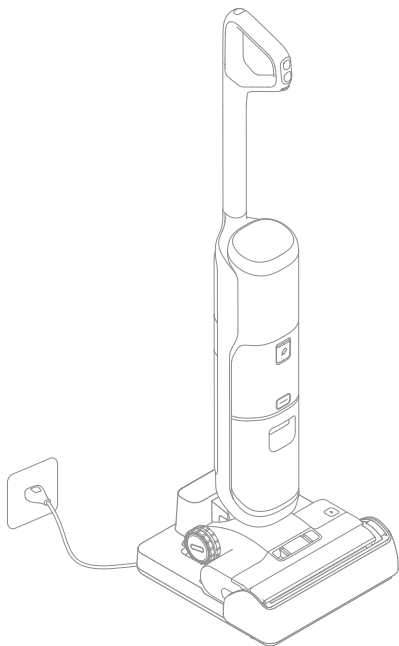


Self-Cleaning With Hot Water & Drying Mode

1. Place the appliance back onto the base. Ensure that the water in the Clean Water Tank is sufficient for self-cleaning.
2. Briefly press the self-cleaning button  on the top of the handle to start/stop self-cleaning.
3. Empty the Used Water Tank after self-cleaning is completed and drying mode has been engaged. Press the button  to exit drying mode.
4. Press and hold the self-cleaning button to enter the drying mode settings and select the default drying mode.

Note:

- If the auto distribute switch on, the appliance will use the cleaning solution automatically by default for self-cleaning.
- Do not touch the brush roller, hot water, or heating module of the charging base while self-cleaning with hot water.
- The self-cleaning function can be enabled only when the appliance is being charged and the battery level is more than 15%. If the battery level is lower, please charge to 15% before starting self-cleaning.
- The relevant parameters claimed by this product may be affected by environmental temperature, humidity, altitude or other factors. The test results may have a deviation of $\pm 10\%$, which shall be subject to the actual situation.



Restore Factory Settings

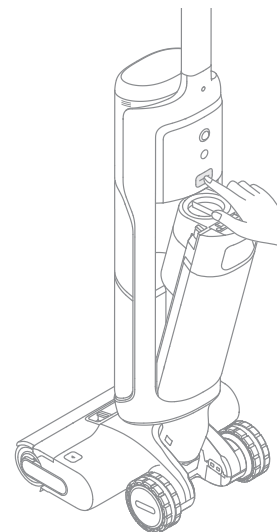
Press and hold the voice prompt/Wi-Fi button and the self-cleaning button for 3 seconds to restore factory settings.

Tips:

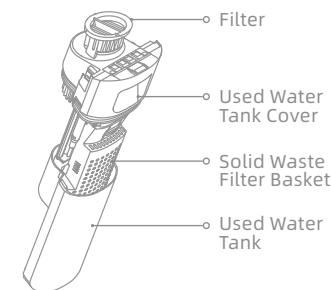
- Turn off the appliance before maintenance. Do not touch the power switch.
- Replace parts if needed. The parts must be replaced by those available from the manufacturer or its service agent
- If the appliance is not used for an extended period, fully charge it, unplug the power plug, and store the appliance in a cool, low-humidity environment away from direct sunlight. To avoid over-discharge of the battery, charge the appliance at least once every 3 months.

Cleaning the Used Water Tank

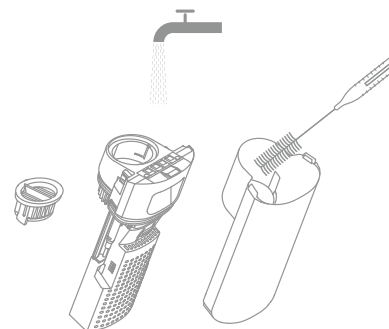
1. Press the Used Water Tank release button to remove the tank.



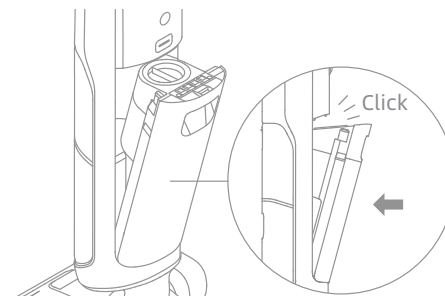
2. Press the Used Water Tank cover release buttons to remove the tank cover. Remove the filter from the Used Water Tank cover.



3. Rinse the Used Water Tank, including the separation motor on the tank cover, solid waste filter basket and tank cover with water. Use the provided cleaning brush to clean the inner walls of the tank.



4. Re-install the filter and the Used Water Tank cover. Then re-install the Used Water Tank until you hear a click.



Note: It is recommended to clean the Used Water Tank in time after each use, as well as before and after the self-cleaning.

Cleaning the Filter

1. Remove the filter and gently knock off the floating dust on the surface.

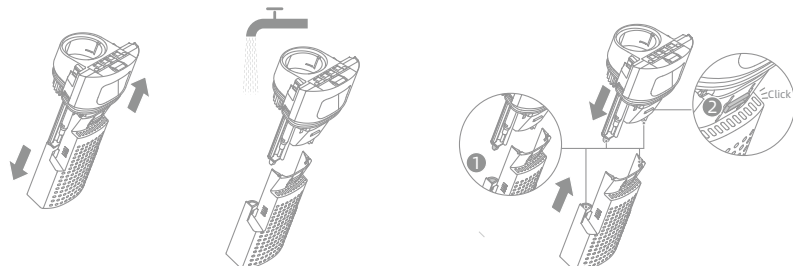
2. When the filter is dirty and needs washing, rinse it with water. It must be completely dry before use.



Note: Replacing the filter every 3 to 6 months is recommended.

Cleaning the Solid Waste Filter Basket

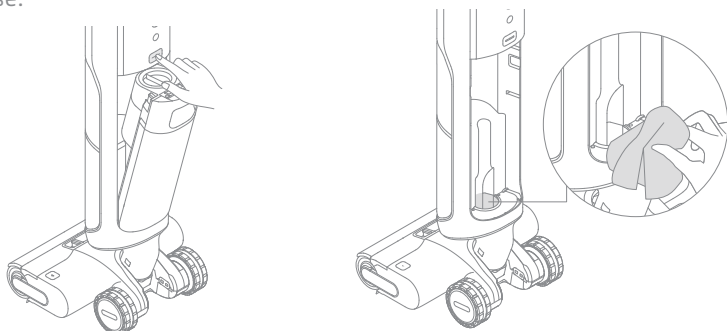
Remove the Used Water Tank and the tank cover. Then, detach the solid waste filter basket to clean it. To reassemble, align the bottom of the Used Water Tank cover with the positioning holes on the solid waste filter basket. Insert it properly until you hear a click.



Note: The solid filter basket is a detachable component. The appliance can be used normally after the part is removed.

Cleaning the Tube and the Dirt Sensor

Remove the Used Water Tank. Wipe the tube and the dirt sensor with a wet cloth before use.

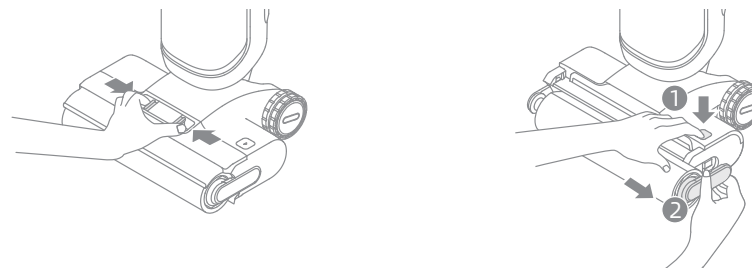


Note: Do not rinse the tube or the dirt sensor.

Cleaning the Brush Assembly

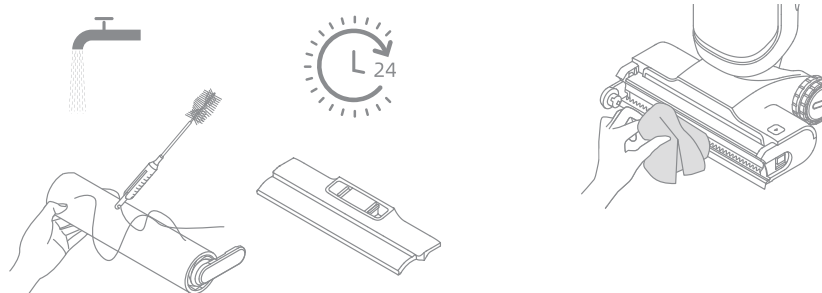
1. Press the brush roller cover release buttons to remove the brush roller cover.

2. Press the brush roller release button and pull the handle to take out the brush roller.

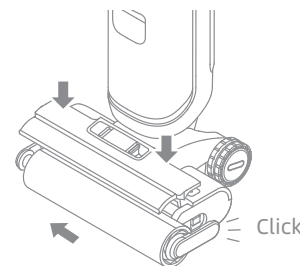


3. Clear any hair and debris caught on the brush roller with the provided cleaning brush. Rinse the brush roller and the cover with clean water and dry it completely.

4. Wipe the suction inlet with a dry cloth or wet tissue.



5. Re-install the brush roller and the brush roller cover until you hear a click.



Note:

- Do not rinse the brush assembly with water.
- Clean as needed. Replacing the brush roller every 3 to 6 months is recommended.
- Ensure the Used Water Tank is removed or empty before laying the appliance on its side to clean the roller brush.

If an error occurs, the appliance will stop working. Please refer to the following table for troubleshooting. If the problem persists, please contact the customer service.







Error	Possible Cause	Solution
The appliance does not work.	The appliance is out of battery or its battery level is low.	Fully charge its battery before use.
	The appliance is in the upright position.	Recline the appliance backwards.
	Blockage activated overheat protection mode.	Clear the blockage and wait until the temperature returns normal.
	The Used Water Tank is full.	Empty the Used Water Tank.
	The parts are not installed in place.	Ensure all parts are all properly in place.
The appliance charges slowly.	The temperature of the battery is too low or too high.	Wait until the battery's temperature returns normal.
The suction power of the appliance is weak.	The filter is clogged.	Clean the filter.
	The suction inlet or tube is blocked by a foreign object.	Clean the tube and the suction inlet.
The motor is making a strange noise.	There is too much dirty water in the Used Water Tank.	Empty the Used Water Tank.
	The suction inlet is blocked.	Clear any blockage in the suction inlet.
The battery level indicator on the display screen does not light up while charging.	The charging base plug is not inserted into the electrical outlet properly.	Make sure the charging base plug is inserted in place.
	The appliance is not placed onto the charging base properly.	Make sure the appliance is placed onto the charging base properly.
No water is coming out of the appliance.	The Clean Water Tank is not properly installed in place, or the water in the Clean Water Tank is insufficient.	Re-install or fill the Clean Water Tank.
	It takes 30 seconds to dampen the brush roller.	Turn on the appliance and check again after a while.

The vent leaks water.	A collision or a sharp pull causes water to enter the motor.	Move the appliance gently back and forth while it is turned on.
	The filter is not completely dry after being cleaned.	Dry the filter completely before use.
Self-cleaning fails.	The brush roller may be jammed by large debris.	Remove the brush roller cover to check and clean the brush roller.
	The appliance is not being charged.	Make sure the appliance is being charged before enabling the self-cleaning function.
	Self-cleaning cannot be enabled if the battery level is lower than 15%.	Self-cleaning can only be enabled while the appliance is being charged and the battery level is more than 15%
	The Used Water Tank is not installed in place, or the Used Water Tank is full.	Re-install or empty the Used Water Tank.
	The Clean Water Tank is not installed in place, or the water in the Clean Water Tank is insufficient.	Re-install or fill the Clean Water Tank.
	Poor drying performance.	The air outlet and air inlet of the charging base may be blocked.
The drying mode does not work	The drying mode cannot be enabled if the battery level is lower than 15%.	After self-cleaning is complete, the appliance will automatically start the drying process once it is charged to 15%.
Wi-Fi Connection fails	The Wi-Fi network password is incorrect.	Make sure the password used to connect to your Wi-Fi network is correct.
	The appliance does not support a 5 GHz Wi-Fi connection.	Make sure the robot is connected to a 2.4 GHz Wi-Fi connection.
	The Wi-Fi signal is weak.	Make sure the robot is in an area with good Wi-Fi coverage.
	The appliance may not be ready to be configured.	Please exit and re-enter the app, and then try again as instructed.

For additional services, please contact us via aftersales@dreametech
 Website: <https://global.dreametech.com>

Error Prompts and Solutions

If the appliance is not working properly, the screen display will show an error message. Please refer to the below table to find your solution.

Error Icon	Possible Cause	Solution
	Insufficient water in Clean Water Tank	Fill the Clean Water Tank.
	Used Water Tank not installed	Install the Used Water Tank.
	Used Water Tank full	Empty the Used Water Tank.
	Used Water Tank blocked	Rinse the Used Water Tank, including the separation motor on the tank cover, solid waste filter basket and tank cover with water.
	Brush roller stuck	Refer to the Care & Maintenance section to clean the tube and dirt sensor.
	Brush Roller stuck	Install the brush roller.
	The brush roller and tube are dirty	Place the appliance back onto the base for self-cleaning.
	Insufficient cleaning solution	Please refill the cleaning solution box.

Error Code	Possible Cause	Solution
E1-E7	Error	Restart the appliance for troubleshooting. If the problem persists, please contact customer service.
F1-F6		
H1-H6		
H7	Battery overheating	Wait until the battery's temperature returns normal, then continue to use the appliance.

Specifications

Vacuum			
Model	HHR31A	Rated Power	400 W
Rated Voltage	21.6 V ---	Charging Time	Approx. 3.5 hours
Clean Water Tank Capacity	880 mL	Used Water Tank Capacity	650 mL
Operation Frequency	2400-2483.5 MHz	Maximum Output Power	< 20 dBm
Charging Base			
Model	HCBM	Rated Power Input*	345 W
Rated Input	220-240V~ 50-60Hz	Rated Output	27 V --- 1.6 A

* The rated input power refers to the power measured during a representative cycle for entering the drying mode.

Battery Disposal and Removal

The built-in lithium-ion battery contains substances that are hazardous to the environment. Before disposing of the battery, make sure the battery is removed by qualified technicians and discarded at an appropriate recycling facility.

- the battery must be removed from the appliance before it is scrapped;
- the appliance must be disconnected from the supply mains when removing the battery;
- the battery is to be disposed of safely.

Removal Guide

1. Remove the screw plug at the top of the back of the appliance and remove the screw by a screwdriver.
2. Use a proper tool to remove the display assembly and disconnect the cables.
3. Use a screwdriver to remove all the fixing screws from the body.
4. Remove the screws on the battery pack assembly and then remove the battery cover.
5. Disconnect the battery pack's connector cables and remove the battery from the battery pack assembly.

CAUTION:

- Before removing the battery, disconnect the power and run out the battery as much as possible.
- Unneeded batteries should be discarded at an appropriate recycling facility.
- Do not expose to high temperature environment to avoid risks of explosion.
- Under abusive conditions, liquid may be ejected from the battery. If contact occurs, flush with water and seek medical help.

Wichtige Sicherheitshinweise

Bitte lesen Sie dieses Handbuch vor der Verwendung sorgfältig durch und bewahren Sie es zum späteren Nachschlagen auf.

Bei der Verwendung eines elektrischen Geräts sollten immer grundlegende Vorsichtsmaßnahmen beachtet werden, einschließlich der folgenden:

LESEN SIE ALLE ANWEISUNGEN, BEVOR SIE DIESES GERÄT VERWENDEN. Die Nichtbeachtung der Warnhinweise und Anweisungen kann zu einem elektrischen Schlag, Brand und/oder schweren Verletzungen führen.

WARNUNG – Um die Gefahr von Bränden, Stromschlägen oder Verletzungen zu verringern:

Nutzungsbeschränkungen

- Um einen sicheren Betrieb zu gewährleisten und Risiken zu vermeiden, darf dieses Produkt nicht von Kindern unter 8 Jahren, von Personen mit körperlichen, sensorischen oder geistigen Einschränkungen oder von Personen mit mangelnden Kenntnissen ohne Aufsicht eines Elternteils oder Vormunds verwendet werden. Kinder dürfen die Reinigung und Wartung nicht ohne Aufsicht durchführen.
- Kunststoffolie kann gefährlich sein. Um die Gefahr des Erstickens zu vermeiden, halten Sie sie von Kindern fern. Kinder dürfen nicht mit dem Gerät spielen.
- Verwenden Sie das Gerät nur in Innenräumen, auf nicht mit Teppichboden versehenen Böden wie Vinyl, Fliesen, versiegeltem Holz usw. Achten Sie darauf, nicht über lose Gegenstände oder Kanten von Teppichen zu fahren. Ein Abwürgen der Bürste kann zu einem vorzeitigen Ausfall des Riemens führen.
- Verwenden Sie das Gerät nur wie in dieser Bedienungsanleitung beschrieben. Verwenden Sie nur das vom Hersteller empfohlene Zubehör.
- Setzen Sie das Gerät keinem Feuer oder übermäßigen Temperaturen aus. Die Exposition gegenüber Feuer oder übermäßiger Temperatur kann eine Explosion verursachen.
- Nicht in extrem heißen oder kalten Umgebungen verwenden (unter 5 °C/41 °F oder über 40 °C/104 °F). Bitte laden Sie das Gerät bei Temperaturen über 5 °C/41 °F und unter 40 °C/104 °F auf.
- Tauchen Sie das Gerät nicht in Flüssigkeit.
- Dieses Gerät darf nicht verwendet, um brennbare oder leicht entzündliche Flüssigkeiten wie Benzin aufzunehmen. Dieses Gerät darf nicht in Bereichen verwendet werden, in denen brennbare oder leicht entzündliche Flüssigkeiten vorhanden sein können.
- Setzen Sie kein Objekt in die Öffnungen. Verwenden Sie das Gerät nicht, wenn die Öffnung blockiert ist. Halten Sie sich frei von Staub, Fusseln, Haaren und allem, was den Luftstrom behindern kann.
- Nehmen Sie kein giftiges Material auf (Chlorbleiche, Ammoniak, Abflussreiniger usw.). Heben Sie keine harten oder scharfen Gegenstände wie Glas, Nägel, Schrauben, Münzen usw. auf.
- Verwenden Sie das Gerät nicht in einem geschlossenen Raum, der mit Dämpfen gefüllt ist, die von ölhaltigen Farben, Farbverdünnern, einigen Mottenschutzmitteln, brennbarem Staub oder anderen explosiven oder giftigen Dämpfen abgegeben werden. Nehmen Sie keine brennenden oder rauchenden Gegenstände auf, wie z. B. Zigaretten, Streichhölzer oder heiße Asche.
- Verwenden Sie es nicht ohne eingesetzte Filter.
- Halten Sie Haare, lose Kleidung, Finger und alle Körperteile von den Öffnungen und beweglichen Teilen des Geräts und seines Zubehörs fern.
- Halten Sie Erdungskabel vom Gerät fern, da eine Gefahr auftreten kann, wenn das Gerät in Betrieb über ein Netzkabel läuft
- Gehen Sie bei der Reinigung auf Treppen besonders vorsichtig vor.

Wichtige Sicherheitshinweise


Wartung und Lagerung

- Verhindern Sie ein unbeabsichtigtes Starten. Vergewissern Sie sich, dass der Schalter in der AUS-Stellung ist, bevor Sie das Gerät in die Hand nehmen oder tragen. Das Tragen des Geräts mit dem Finger auf dem Schalter oder auf dem stromführenden Gerät, das den Schalter eingeschaltet hat, trägt zu Unfällen bei.
- Stellen Sie sicher, dass das Gerät auf einer horizontalen Fläche steht. Verwenden Sie das Gerät nicht an der gleichen Stelle, wenn das Gerät mit einer Walzenbürste ausgestattet ist und der Griff nicht vollständig aufrecht steht. Lagern Sie das Gerät nicht an einem Ort, an dem es einfrieren kann.
- Schalten Sie das Gerät bei Nichtgebrauch vor dem Reinigen, Warten aus, oder bevor Sie es mit einer beweglichen Bürste anschließen oder trennen.
- Verwenden Sie kein Gerät, das beschädigt oder modifiziert ist. Beschädigte oder modifizierte Batterien können ein unvorhersehbares Verhalten zeigen, was zu Feuer, Explosion oder Verletzungsgefahr führen kann.
- Verändern Sie das Gerät nicht und versuchen Sie nicht, es zu reparieren, es sei denn, dies ist in der Gebrauchs- und Pflegeanleitung angegeben.
- Verwenden Sie das Gerät nicht mit einem beschädigten Aufsatz, z. B. Ladekabel usw. Wenn der Aufsatz beschädigt ist, muss es vom Hersteller, seinem Servicepartner oder ähnlichen qualifizierten Personen ersetzt werden, um Gefahren zu vermeiden.
- Lassen Sie die Wartung von einer qualifizierten Reparaturkraft durchführen, die nur identische Ersatzteile verwendet. Dadurch wird sichergestellt, dass die Sicherheit des Produkts erhalten bleibt.
- Wenn das Netzkabel beschädigt ist, muss es durch den Hersteller, seinen Kundendienst oder ähnlich qualifizierte Fachkräfte ersetzt werden, um eine Gefährdung zu vermeiden.

Akku und Aufladen

- Zum Aufladen des Gerätes nur die mitgelieferte Ladestation verwenden. Nur mit HCBM-Ladestation verwenden.
- Befolgen Sie alle Ladeanweisungen und laden Sie das Gerät nicht außerhalb des in der Batterie angegebenen Temperaturbereichs auf, da dies die Brandgefahr erhöht.
- Die Ladestation ist mit einer Trocknungsfunktion ausgestattet und nur zum Trocknen der Bürste dieses Geräts geeignet.
- Halten Sie die Ladestation von beheizten Oberflächen fern. Fassen Sie den Stecker der Ladestation oder das Gerät nicht mit nassen Händen. Um den Netzstecker zu ziehen, greifen Sie nach dem Stecker der Ladestation und nicht nach dem Kabel.
- Ziehen oder tragen Sie Ladestation nicht per Kabel, wobei Sie Kabel als Griff verwenden, Tür am Kabel schließen oder Kabel um scharfe Kanten oder Ecken ziehen.
- Benutzen Sie keine nicht wiederaufladbaren Batterien. Bei Nichtbeachtung besteht Brandgefahr für die Lithium-Ionen-Batterie. Dieses Gerät enthält Akkus, die nur von qualifizierten Technikern bzw. vom Kundendienst ausgetauscht werden können.
- Der Lithium-Io-Akku enthält umweltgefährdende Substanzen. Bevor Sie das Gerät entsorgen, entfernen Sie bitte zuerst den Batteriesatz, dann werfen Sie ihn oder recyceln Sie ihn gemäß den lokalen Gesetzen und Vorschriften des Landes oder der Region, in dem er verwendet wird.
- Das Gerät muss beim Entfernen der Batterie vom Netzteil getrennt werden. Wahren Sie die Batterien außerhalb der Reichweite von Kindern auf. Legen Sie niemals Batterien in den Mund. Wenn Sie verschluckt werden, wenden Sie sich an Ihren Arzt oder die örtliche Giftkontrolle.

Wichtige Sicherheitshinweise

- Kommen Sie unter missbräuchlichen Bedingungen niemals die Batterie in Berührung, aus der die Flüssigkeit ausgeworfen wird. Wenn die Berührung versehentlich auftritt, spülen Sie mit Wasser ab. Wenn die Flüssigkeit mit den Augen in Berührung kommt, suchen Sie sofort ärztliche Hilfe auf. Die aus der Batterie ausgestoßene Flüssigkeit kann Reizungen oder Verbrennungen verursachen.
- Die Ladestation eignet sich zum Aufladen des 6-Zellen-Akkupacks mit 5000 mAh. Diese Ladestation sollte nicht zum Laden von nicht wiederaufladbaren Batterien verwendet werden. Bei Nichtbeachtung besteht Brandgefahr für die Lithium-Ionen-Batterie.
- Die Ladestation ist mit einem -Symbol gekennzeichnet, das angibt „Vorsicht: Heiße Oberfläche“. Berühren Sie während der Selbstreinigung mit heißem Wasser nicht die Bürstenrolle, das heiße Wasser oder das Heizmodul der Ladestation.

Symbole



Geräte der Klasse II



Feinsicherung mit Zeitverzögerung
wobei T 3.15A das Symbol für die Zeit/Strom-Kennlinie ist



Nur für den Innenbereich geeignet



Bedienungsanleitung lesen



Vorsichtsmaßnahmen: Heiße Oberfläche



WEEE-Informationen

Alle mit diesem Symbol gekennzeichneten Produkte sind Elektroschrott und Elektrogeräte (WEEE entsprechend EU-Richtlinie 2012/19/EU) und dürfen nicht mit unsortiertem Haushaltsmüll vermischt werden. Schützen Sie stattdessen Ihre Mitmenschen und die Umwelt, indem Sie Ihre zu entsorgenden Geräte an eine dafür vorgesehene, von der Regierung oder einer lokalen Behörde eingerichtete Sammelstelle zum Recycling von Elektroschrott und Elektrogeräten bringen. Eine ordnungsgemäße Entsorgung und Recycling helfen, negative Auswirkungen auf die Gesundheit von Umwelt und Menschen zu vermeiden. Wenden Sie sich bitte an den Installateur oder lokale Behörden, um Informationen zum Standort und den allgemeinen Geschäftsbedingungen solcher Sammelstellen zu erhalten.

Wir, Dreame Trading (Tianjin) Co., Ltd., bestätigen hiermit, dass dieses Gerät mit dengeltenden Verordnungen und europäischen Normen sowie etwaigen Ergänzungen in Einklang steht. Der vollständige Wortlaut der EU-Konformitätserklärung ist unter der folgenden Internetadresse abrufbar: <https://global.dreametech.com>

Ein detailliertes elektronisches Handbuch finden Sie unter <https://global.dreametech.com/pages/user-manuals-and-faqs>

Produktübersicht

Packliste



Ersatzwalzenbürste



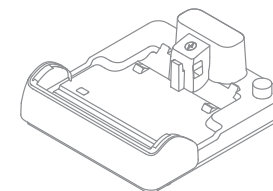
Ersatzfilter



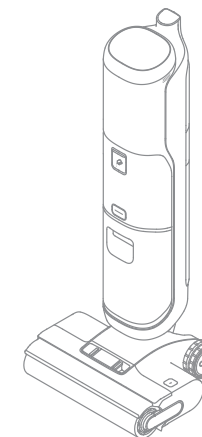
Handgriff



Reinigungsbürste

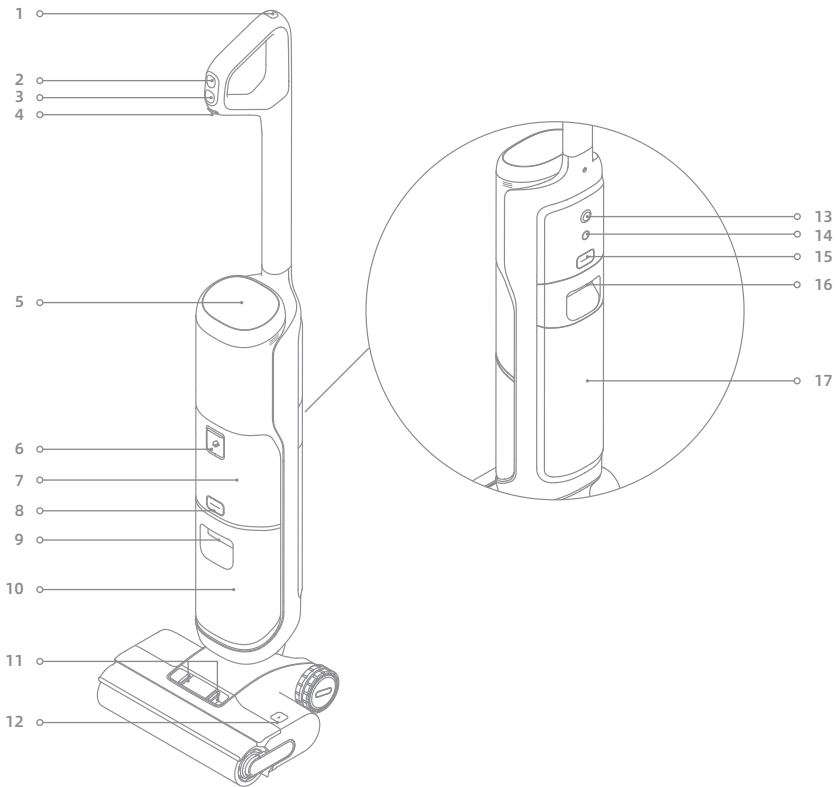


Ladestation



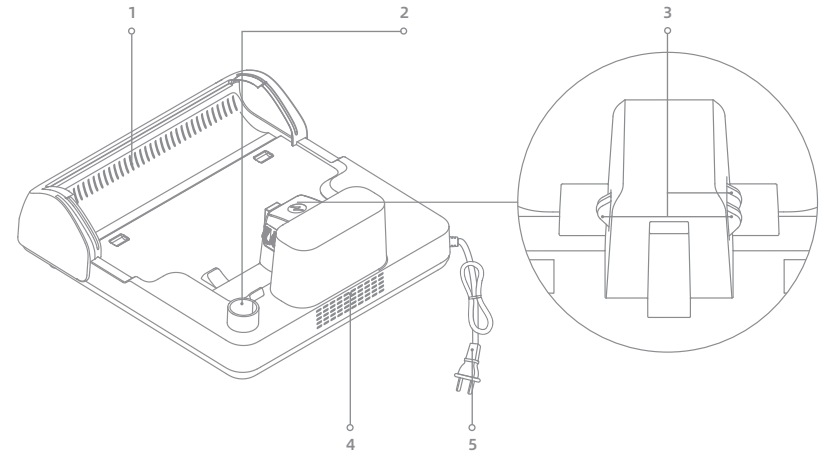
Hauptkörper

Saugen



- | | | |
|--|---|--|
| 1 Selbstreinigungstaste | 8 Entriegelungstaste für den Reinwassertank | 14 Sprachansage-/WLAN-Taste <ul style="list-style-type: none"> • Kurz drücken, um die Sprachansage zu aktivieren oder die Lautstärke einzustellen • Gedrückt halten, um die WLAN-Einrichtung zu starten/WLAN zurückzusetzen • Sprachen über die APP einstellen |
| 2 Modusschalter | 9 Reinwassertank-Griff | 15 Schmutzwasserbehälter Entriegelungstaste |
| 3 Netzschalter | 10 Reinwassertank | 16 Schmutzwasserbehälter Griff |
| 4 Schalter für automatische Verteilung
Schalten Sie die Funktion zur intelligenten Verteilung der Reinigungslösung ein/aus | 11 Eentriegelungstaste für Bürstenrolleabdeckung | 17 Schmutzwasserbehälter |
| 5 Bildschirm | 12 Eentriegelungstaste für Bürstenrolle | |
| 6 Anschluss Reinigungslösung | 13 Omnidirektionales Rad | |
| 7 Reinigungslösungsbehälter | | |

Ladestation



- | | | | | |
|--------------------------|----------------------|-----------------|---------------------------|--------------|
| 1 Trocknungsluftauslass | 2 Zubehörsteckplatz | 3 Ladekontakte | 4 Trocknungsluft-einlass | 5 Netzkabel |
|--------------------------|----------------------|-----------------|---------------------------|--------------|

Bildschirm

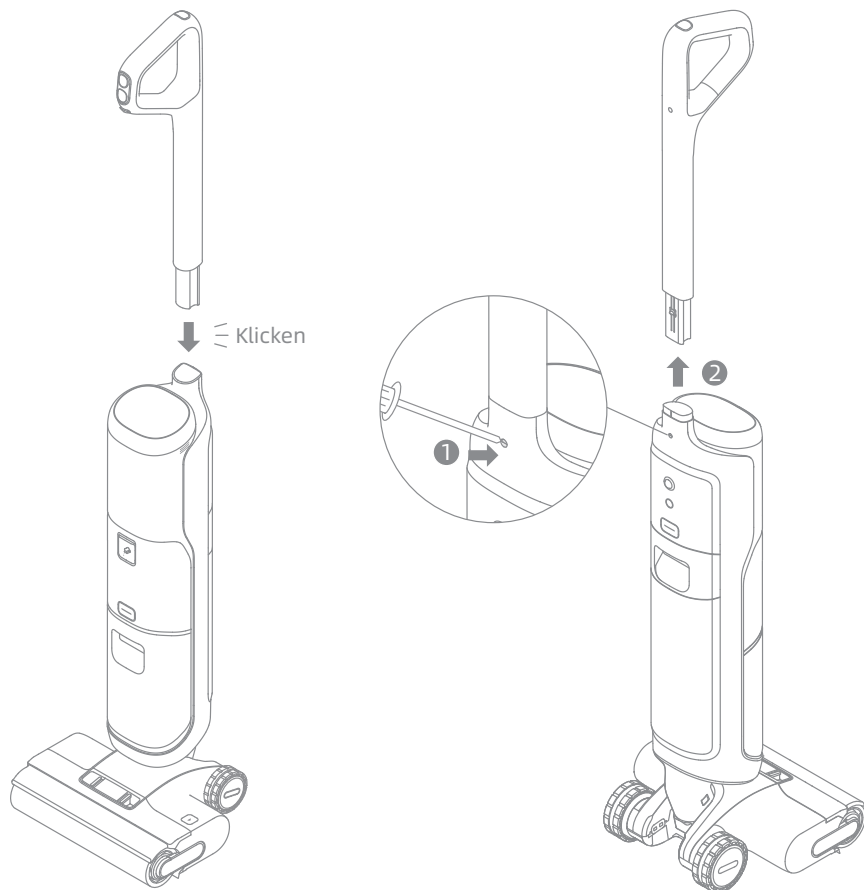


- | | | |
|------------------------------|---|--|
| 1 Auto-Modus | 5 Trocknungsmodus
Wenn der Trocknungsmodus aktiviert ist, leuchten die beiden Symbole und auf. | 7 Lade-/Akkustandsanzeige |
| 2 Ultra-Modus | 6 Ultra-Modus
• Die Farbe der Anzeige ändert sich in Echtzeit je nach Verschmutzungsgrad, wenn das Gerät in Betrieb ist.
• Der Indikator zeigt den Trocknungsvorgang an. | 8 Fehlermeldungen |
| 3 Saugmodus | | 9 WLAN-Anzeige |
| 4 Benutzerdefinierter Modus | | 10 Reinigungslösungs-Statusanzeige
• Leuchtet permanent: Verdünnungsfunktion aktiviert
• Blinkt: Niedriger Verdünnungsstand |

Hinweis: Wenn das Gerät nicht ordnungsgemäß funktioniert, wird auf dem Display eine Fehlermeldung oder ein Fehlercode angezeigt. Bitte schauen Sie in der Fehlermeldungs- und Lösungstabelle nach, um eine Lösung zu finden.

Installieren des Griffs

Fügen Sie das Ende der Griffbaugruppe senkrecht in die Öffnung auf der Oberseite des Geräts ein, wie angegeben, Sie werden ein Einrasten spüren.

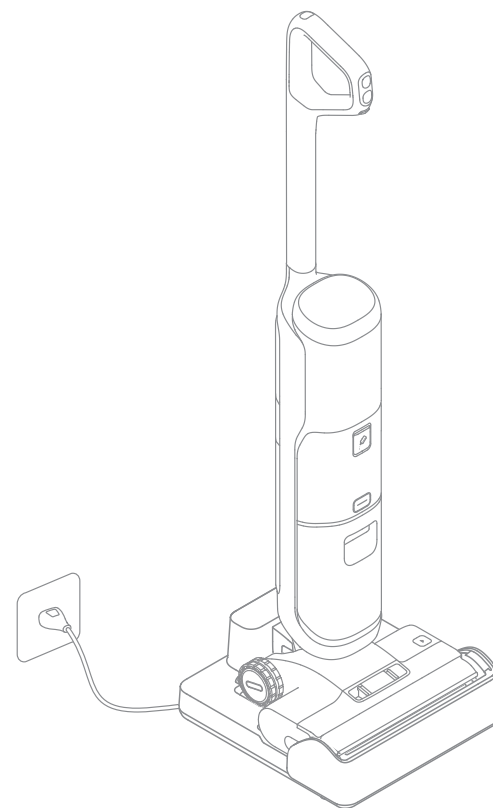


Hinweis: Zum Auseinanderbauen führen Sie einen harten Gegenstand wie angegeben in die Öffnung des Geräts ein, um die Kontakte einzudrücken, und ziehen Sie gleichzeitig den Griff nach oben.

1. Stellen Sie die Ladestation gegen eine Wand auf dem Boden und schließen Sie sie an eine Stromquelle an. Laden Sie das Gerät vor dem ersten Gebrauch vollständig auf.
2. Stellen Sie das Gerät auf die Ladestation. Wenn die Zahl auf dem Display 100 erreicht, ist der Akku vollständig geladen.

⚡ Lade-/Akkustandsanzeige

- Hauchend Orange: Akkustand $\leq 20\%$ (Wird aufgeladen)
- Hauchend Grün: Akkustand $> 20\%$ (Wird aufgeladen)
- Leuchtet grün: Voll aufgeladen
- Leuchtet orange: Akkustand $\leq 20\%$



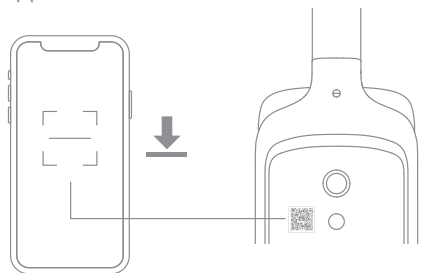
Hinweis:

- Wenn innerhalb von 10 Minuten nach dem vollständigen Aufladen kein Betrieb erfolgt, wechselt der Staubsauger in den Ruhemodus. Bitte starten Sie das Gerät neu, wenn Sie es wieder benutzen möchten.
- Um die Lebensdauer des Akkus zu verlängern, kühlt sich der Akku nach längerem Gerätebetrieb automatisch ab.

Verbinden mit der „Dreamehome“ App

Laden Sie die Dreamehome App herunter

Scannen Sie den QR-Code auf dem Gerät oder suchen Sie im App-Store nach „Dreamehome“, um die App herunterzuladen und zu installieren.

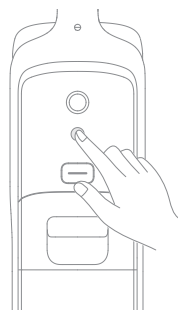


Hinweis:

- Es wird nur 2,4-GHz-WLAN unterstützt.
- Aufgrund von Aktualisierungen der App-Software kann der tatsächliche Betrieb von den Anweisungen in dieser Anleitung abweichen. Bitte folgen Sie den auf der aktuellen App-Version basierenden Anweisungen.

Gerät hinzufügen

- 1 Drücken Sie kurz den Ein-/Aus-Schalter, um das Gerät einzuschalten.
- 2 Halten Sie die Sprachansage-/WLAN-Taste auf der Rückseite des Geräts gedrückt, um die WLAN-Verbindung einzurichten. Die WLAN-Anzeige leuchtet pulsierend in Weiß, und die Sprachansage lautet: „Warten auf die Netzwerkkonfiguration“.



- 3 Öffnen Sie die Dreamehome-App und scannen Sie denselben QR-Code auf dem Gerät erneut, um das Gerät hinzuzufügen. Bitte folgen Sie den Anweisungen, um die WLAN-Verbindung herzustellen.



WLAN-Anzeige

- Leicht: Verbindung wird hergestellt
- Blinkt: Verbinden/OTA-Aktualisierung
- Ein: Verbunden

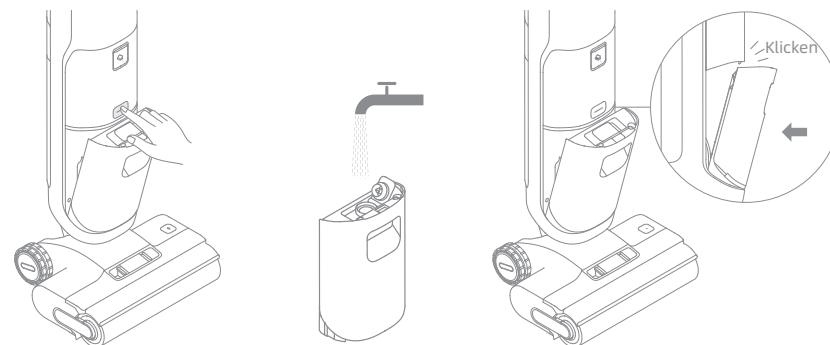
Hinweis: Das Gerät beendet die Netzwerkverbindung, wenn es 10 Minuten lang nicht bedient wird oder wenn die Netzwerkverbindung fehlschlägt. Zum Zurücksetzen von WLAN wiederholen Sie bitte die obigen Schritte und schließen Sie die Verbindung gemäß den Aufforderungen in der App ab.

Verwendung

Befüllen des Frischwasserbehälters

1. Drücken Sie die Entriegelungstaste für den Frischwasserbehälter, um den Behälter zu entnehmen. Öffnen Sie den Behälterdeckel und füllen Sie den Behälter mit sauberem Wasser.

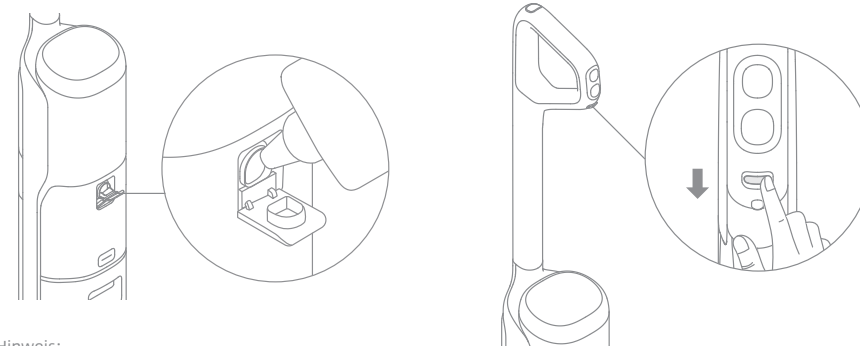
2. Setzen Sie den Frischwasserbehälter wieder ein und achten Sie darauf, dass er einrastet.



Reinigungsflüssigkeit einfüllen

1. Öffnen Sie den Deckel des Reinigungsflüssigkeitsbehälters, füllen Sie ihn mit der Reinigungsflüssigkeit und schließen Sie den Deckel wieder fest.

2. Schalten Sie den Schalter für automatische Verteilung ein, dann leuchtet die Anzeige auf. Das Gerät passt das Verhältnis von Reinigungsflüssigkeit und Wasser intelligent an die Verschmutzung des Bodens an, um den Boden effizient zu reinigen.




Hinweis:

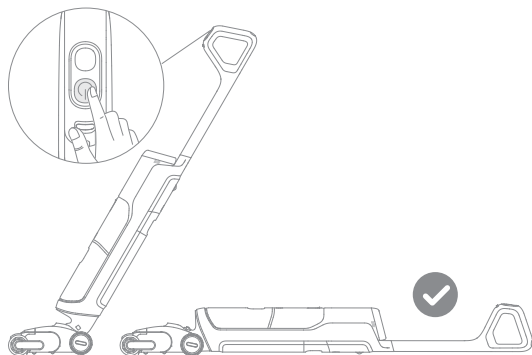
- Bitte geben Sie die Reinigungsflüssigkeit während des Betriebs direkt in den Reinigungsflüssigkeitsbehälter. Das Gerät passt das Verdünnungsverhältnis entsprechend den App-Einstellungen und dem Verschmutzungsgrad an.
- Fügen Sie keine anderen Flüssigkeiten als den offiziell zugelassenen Reiniger hinzu. Der Reiniger ist im offiziellen Online-Store erhältlich.
- Die Anzeige blinkt, wenn die Reinigungsflüssigkeit aufgebraucht ist. Bitte füllen Sie rechtzeitig Reinigungsflüssigkeit nach.
- Wenn die Reinigungsflüssigkeit vorübergehend nicht verwendet wird, schalten Sie bitte den Schalter für automatische Verteilung aus.

ACHTUNG: Um die and- und Stromschläge durch Beschädigung interner Komponenten zu verringern, verwenden Sie nur die für das Gerät vorgesehene Dreame Reinigungsflüssigkeit.

Verwendung

Reinigung wird gestartet

Treten Sie vorsichtig auf die Bürstenabdeckung und kippen Sie das Gerät nach hinten. Drücken Sie den Ein-/Ausschalter  um den Betrieb zu starten/stoppen. Wenn sich das Gerät während der Arbeit in aufrechter Position befindet, wird die aktuelle Aufgabe unterbrochen. Das Gerät ist so konstruiert, dass es in einem 180-Grad-Winkel flach liegt, sodass es auch unter flachen Möbeln gut erreicht und dort reinigen kann.



Hinweis:

- Verwenden Sie es nicht, um schäumende Flüssigkeiten zu saugen.
- Vergewissern Sie sich, dass sich das Gerät in aufrechter Position befindet, bevor Sie den Strom ausschalten, während das Gerät flach liegt.
- Das Gerät eignet sich zur Reinigung von Böden, Marmor, Fliesen und anderen harten Oberflächen.
- Wenn das Gerät in Betrieb ist, heben Sie es nicht vom Boden ab, bewegen Sie es nicht und kippen Sie es nicht. Andernfalls kann das Schmutzwasser in den Motor gelangen.

Wechseln des Modus

Drücken Sie den Modusschalter  um den Modus nach Ihren Wünschen zu wechseln.



Auto-Modus

Das Gerät passt die Saugkraft intelligent an die Bodenverschmutzung an.



Ultra-Modus

Der Ultra-Modus wird vorbereitet, bitte warten Sie 30 Sekunden lang. Dieser Modus ist für die Tiefenreinigung geeignet.



Saugmodus

Wenn der Saugmodus ausgewählt ist, saugt das Gerät nur Wasser auf; die Bürstenrolle wird nicht befeuchtet, und es wird kein Wasser aus dem Frischwasserbehälter abgegeben.



Benutzerdefinierter Modus

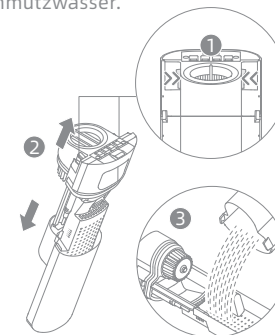
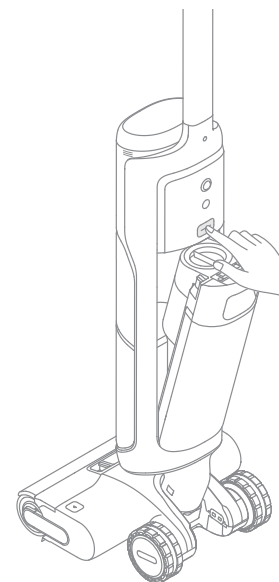
Die Einstellungen, einschließlich der Anpassung der Saugkraft und des Wasserstands, können über die App angepasst werden. Das Gerät beginnt die Reinigung gemäß den in der App konfigurierten Einstellungen.

Verwendung

Schmutzwasserbehälter wird entleert

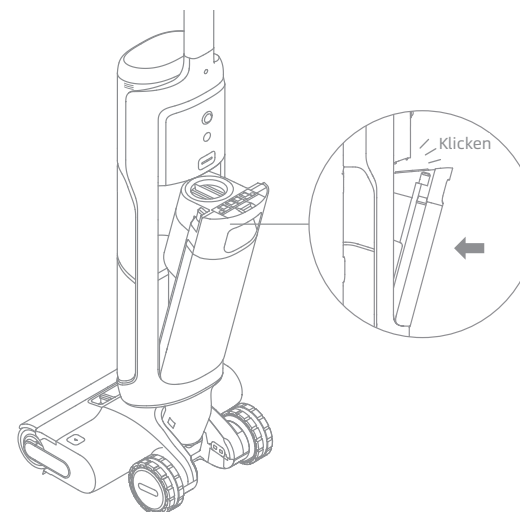
1. Drücken Sie die Entriegelungstaste für den Schmutzwasserbehälter, um den Behälter herauszunehmen.

2. Drücken Sie die Entriegelungstasten für die Schmutzwasserbehälterabdeckung, um die Behälterabdeckung zu entfernen. Gießen Sie das Schmutzwasser aus und trennen Sie die festen Abfälle mit dem Schmutzfilterkorb vom Schmutzwasser.




Hinweis: Der Abfall-Filterkorb lässt sich abnehmen. Das Gerät kann nach dem Entfernen dieser Komponente normal verwendet werden.

3. Setzen Sie den Schmutzwasserbehälter wieder ein, bis Sie ein Klickgeräusch hören.

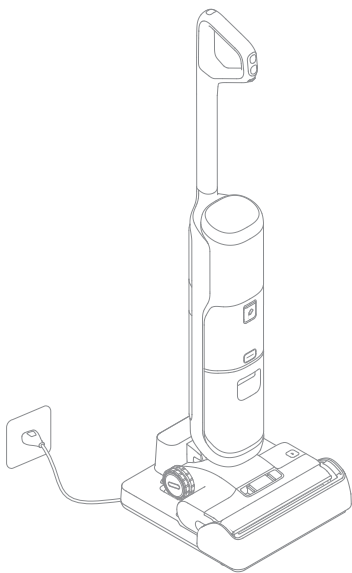


Selbstreinigung mit Heißwasser und Trocknungsmodus

1. Stellen Sie das Gerät wieder auf die Basis. Vergewissern Sie sich, dass das Wasser im Frischwasserbehälter für die Selbstreinigung ausreichend ist.
2. Drücken Sie kurz die Selbstreinigungstaste oben am Griff, um die Selbstreinigung zu starten/ zu stoppen.
3. Entleeren Sie den Schmutzwasserbehälter, nachdem die Selbstreinigung abgeschlossen und der Trocknungsmodus aktiviert wurde. Drücken Sie die Taste  um den Trocknungsmodus zu beenden.
4. Halten Sie die Selbstreinigungstaste gedrückt, um die Einstellungen für den Trocknungsmodus aufzurufen und den Standardtrocknungsmodus auszuwählen.

Hinweis:

- Berühren Sie während der Selbstreinigung mit heißem Wasser nicht die Bürstenrolle, das heiße Wasser oder das Heizmodul der Ladestation.
- Die Selbstreinigungsfunktion kann nur aktiviert werden, wenn das Gerät aufgeladen wird und der Akkustand mehr als 15 % beträgt. Wenn der Akkustand niedriger ist, laden Sie das Gerät bitte auf 15 % auf, bevor Sie die Selbstreinigungsfunktion aktivieren.
- Die von diesem Produkt beanspruchten relevanten Parameter können durch Umgebungstemperatur, Luftfeuchtigkeit, Höhenmeter oder andere Faktoren beeinflusst werden. Die Testergebnisse können eine Abweichung von $\pm 10\%$ aufweisen, was von der tatsächlichen Situation abhängt



Werkseinstellungen wiederherstellen

Halten Sie die Sprachansage-/WLAN-Taste und die Selbstreinigungs-Taste 3 Sekunden lang gedrückt, um die Werkseinstellungen wiederherzustellen.

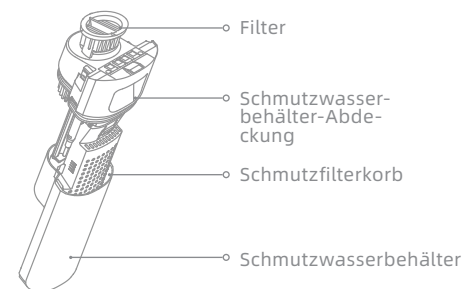
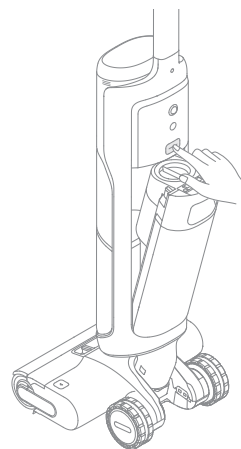
Tipps:

- Schalten Sie das Gerät vor der Wartung aus. Berühren Sie nicht den Ein-/Ausschalter.
- Teile müssen bei Bedarf ausgetauscht werden, bitte verwenden Sie die vom Originalwerk vorgesehenen Teile, um Schäden am Produkt aufgrund von Ungeeignetheit zu vermeiden.
- Wenn das Gerät längere Zeit nicht verwendet wird, laden Sie es vollständig auf, ziehen Sie den Netzstecker ab und lagern Sie das Gerät in einer kühlen Umgebung mit geringer Luftfeuchtigkeit, fern von direkter Sonneneinstrahlung. Um das übermäßige Entladen des Akkus zu vermeiden, laden Sie das Gerät mindestens alle 3 Monate auf.

Reinigung des Schmutzwasserbehälters

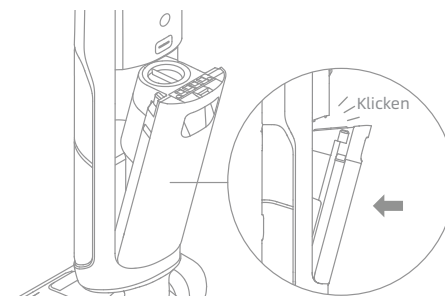
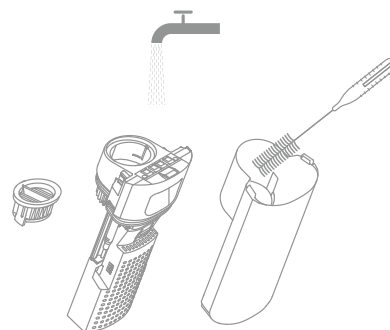
1. Drücken Sie die Schmutzwasserbehälter-Entriegelungstaste, um den Behälter herauszunehmen.

2. Drücken Sie die Entriegelungstasten für die Schmutzwasserbehälterabdeckung, um die Behälterabdeckung zu entfernen. Nehmen Sie den Filter aus der Schmutzwasserbehälter-Abdeckung.



3. Spülen Sie den Schmutzwasserbehälter einschließlich des Separationsmotors an der Behälterabdeckung, des Filterkorbs für feste Abfälle und des Tankdeckels mit Wasser aus. Reinigen Sie die Innenwände des Behälters mit der mitgelieferten Reinigungsbürste.

4. Bringen Sie den Filter und die Abdeckung des Schmutzwasserbehälters wieder an. Setzen Sie anschließend den Schmutzwasserbehälter wieder ein, bis Sie ein Klickgeräusch hören.



Hinweis: Es wird empfohlen, den Schmutzwasserbehälter nach jedem Gebrauch sowie vor und nach der Selbstreinigung regelmäßig zu reinigen.

Reinigung des Filters

1. Nehmen Sie den Filter heraus und klopfen Sie vorsichtig den auf der Oberfläche befindlichen Staub ab.



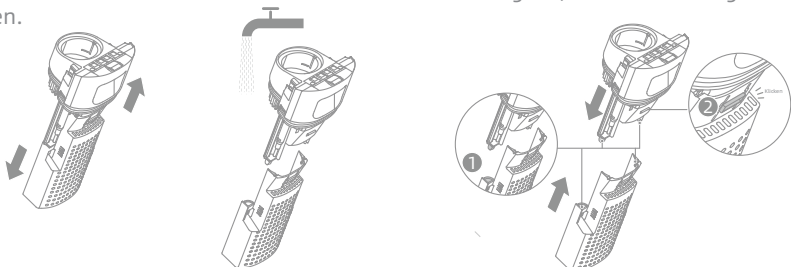
2. Sollte der Filter verschmutzt sein und eine Reinigung erfordern, spülen Sie ihn mit Wasser ab. Vor der Wiederverwendung muss er vollständig trocken sein.



Hinweis: Es wird empfohlen, den Filter alle 3 bis 6 Monate auszutauschen.

Reinigung des Schmutzfilterkorbs

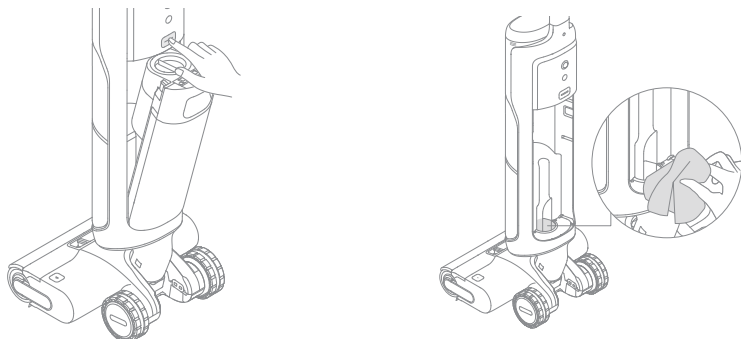
Nehmen Sie den Schmutzwasserbehälter und die Behälterabdeckung ab. Nehmen Sie anschließend den Filterkorb für feste Abfälle heraus, um ihn zu reinigen. Richten Sie die Unterseite der Schmutzwasserbehälter-Abdeckung mit den Positionierungsöffnungen am Filterkorb für feste Abfälle aus. Setzen Sie ihn richtig ein, bis Sie ein Klickgeräusch hören.



Hinweis: Der Abfall-Filterkorb lässt sich abnehmen. Das Gerät kann nach dem Entfernen dieser Komponente normal verwendet werden.

Reinigung des Rohres und des Verschmutzungssensors

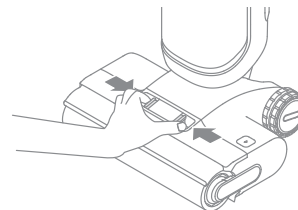
Entnehmen Sie den Schmutzwasserbehälter. Wischen Sie das Rohr und den Verschmutzungssensor vor dem Gebrauch mit einem feuchten Tuch ab.



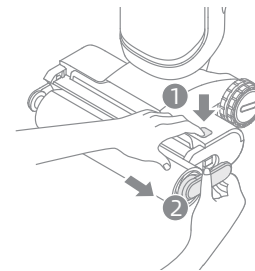
Hinweis: Spülen Sie das Rohr oder den Verschmutzungssensor nicht mit Wasser ab.

Reinigung der Bürstenrolle-Aufsätze

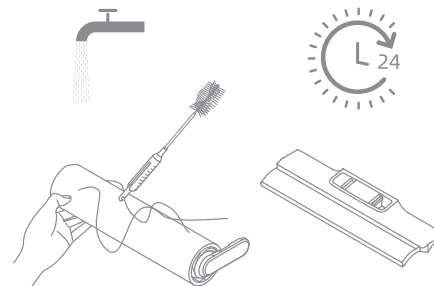
1. Drücken Sie die Entriegelungstasten für die Bürstenrollenabdeckung, um die Bürstenrollenabdeckung zu entfernen.



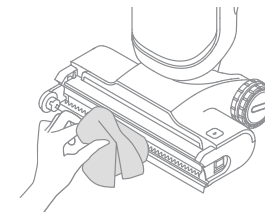
2. Drücken Sie die Entriegelungstaste für die Bürstenrolle und ziehen Sie am Griff, um die Bürstenrolle herauszunehmen.



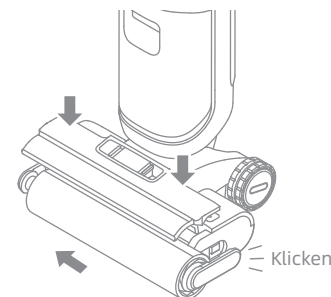
3. Entfernen Sie alle auf der Bürstenrolle befindlichen Haare und Rückstände mit der mitgelieferten Reinigungsbürste. Spülen Sie die Bürstenrolle und die Abdeckung mit sauberem Wasser ab und trocknen Sie diese vollständig.



4. Wischen Sie den Saugeinlass mit einem trockenen Tuch oder einem feuchten Taschentuch ab.



5. Setzen Sie die Bürstenrolle und die Bürstenrollenabdeckung wieder ein, bis Sie ein Klickgeräusch hören.



Hinweis:

- Spülen Sie die Bürstenbaugruppe nicht mit Wasser ab.
- Reinigen Sie die Bürstenwalze nach Bedarf. Es wird empfohlen, die Bürstenwalze alle 3 bis 6 Monate auszutauschen.
- Vergewissern Sie sich, dass der Schmutzwasserbehälter herausgenommen bzw. entleert ist, bevor Sie das Gerät auf die Seite legen, um die Bürstenrolle zu reinigen.

Fehleralarm

Wenn ein Fehler auftritt, wird das Gerät nicht mehr funktionieren. Bitte beachten Sie die folgende Tabelle zur Fehlerbehebung. Wenn das Problem weiterhin besteht, wenden Sie sich bitte an den Kundendienst.

Fehler	Mögliche Ursache	Lösung
Das Gerät funktioniert nicht.	Der Akku des Geräts ist leer oder der Akkustand ist niedrig.	Laden Sie den Akku vor dem Gebrauch vollständig auf.
	Das Gerät befindet sich in der aufrechten Position.	Stellen Sie das Gerät nach hinten.
	Der Überhitzungsschutzmodus wurde durch eine Verstopfung aktiviert.	Beseitigen Sie die Verstopfung und warten Sie, bis die Temperatur wieder normal ist.
	Der Schmutzwassertank ist voll.	Den Schmutzwasserbehälter leeren.
	Die Komponenten sind nicht richtig installiert.	Vergewissern Sie sich, dass alle Komponenten richtig eingesetzt sind.
Das Gerät wird langsam aufgeladen.	Die Temperatur des Akkus ist zu niedrig oder zu hoch.	Warten Sie, bis die Batterietemperatur wieder normal ist.
Die Saugleistung des Gerätes ist niedrig.	Der Filter ist verstopft.	Reinigen Sie den Filter.
	Der Saugeinlass oder -rohr ist durch einen Fremdkörper blockiert.	Reinigen Sie das Rohr und die Saugöffnung.
Der Motor macht ein seltsames Geräusch.	Es befindet sich zu viel Schmutzwasser im Schmutzwasserbehälter.	Den Schmutzwasserbehälter leeren.
	Die Hauptsaugöffnung ist blockiert.	Beseitigen Sie eventuelle Verstopfungen in der Hauptsaugöffnung.
Die Akkustandsanzeige auf dem Display leuchtet während des Ladevorgangs nicht auf.	Der Ladestecker ist nicht richtig in die Steckdose eingesteckt.	Stellen Sie sicher, dass der Ladestecker richtig eingesteckt ist.
	Das Gerät wird nicht richtig an die Ladestation angeschlossen.	Stellen Sie sicher, dass das Gerät richtig auf der Ladestation platziert ist.
Es kommt kein Wasser aus dem Gerät.	Der Frischwasserbehälter ist nicht ordnungsgemäß installiert, oder der Wasserstand im Frischwasserbehälter ist zu niedrig.	Setzen Sie den Frischwasserbehälter wieder ein oder füllen Sie ihn auf.
	Es dauert 30 Sekunden, um die Bürsterolle zu befeuchten.	Schalten Sie das Gerät ein und überprüfen Sie es nach einiger Zeit erneut.







Fehleralarm

Wasseraustritt an der Oberseite des Schmutzwasserbehälters.	Eine Kollision oder starkes Ziehen führt dazu, dass Wasser in den Motor gelangt.	Bewegen Sie das Gerät vorsichtig hin und her, wenn es eingeschaltet ist.
	Der Filter ist nach der Reinigung nicht vollständig trocken.	Den Filter vor Gebrauch gründlich abtrocknen.
Selbstreinigung ist fehlgeschlagen.	Ein Gegenstand verklemt sich in der Bürstenrolle.	Entfernen Sie die Bürstenrollenabdeckung, um die Bürstenrolle zu überprüfen und zu reinigen.
	Das Gerät wird nicht richtig an die Ladestation angeschlossen.	Stellen Sie sicher, dass das Gerät beim Aufladen ist, bevor Sie die Selbstreinigungsfunktion aktivieren.
	Die Selbstreinigung kann nicht gestartet werden, wenn der Batteriestand weniger als 15 % beträgt.	Die Selbstreinigung kann nur aktiviert werden, während das Gerät aufgeladen wird und der Akkustand mehr als 15 % beträgt.
	Der Schmutzwasserbehälter ist nicht installiert oder ist voll.	Installieren oder leeren Sie den Schmutzwasserbehälter.
	Der Frischwasserbehälter ist nicht richtig installiert, oder der Wasserstand im Frischwasserbehälter ist zu niedrig.	Setzen Sie den Frischwasserbehälter wieder ein oder füllen Sie ihn auf.
	Schlechte Trocknungsleistung.	Luftauslass und Lufteinlass der Ladestation könnten vermutlich blockiert werden.
Der Trocknungsmodus funktioniert nicht.	Der Trocknungsmodus kann nicht aktiviert werden, wenn der Akkustand weniger als 15 % beträgt.	Nach Abschluss der Selbstreinigung beginnt das Gerät automatisch mit dem Trocknungsvorgang, sobald der Akku zu 15 % aufgeladen ist.
WLAN-Verbindung fehlgeschlagen.	Das Passwort für das WLAN-Netzwerk ist falsch.	Überprüfen Sie, ob das Passwort für die Verbindung mit Ihrem WLAN-Netzwerk korrekt ist.
	Das Gerät unterstützt keine 5-GHz-WLAN-Verbindung.	Stellen Sie sicher, dass das Gerät mit einer 2,4-GHz-WLAN-Verbindung verbunden ist.
	Das WLAN-Signal ist schwach.	Prüfen Sie, ob sich das Gerät in einem Bereich mit ausreichender WLAN-Abdeckung befindet.
	Das Gerät ist möglicherweise nicht für die Konfiguration bereit.	Beenden Sie die App, starten Sie diese erneut, und versuchen Sie es dann noch einmal wie angewiesen.

Für weitere Dienstleistungen kontaktieren Sie uns bitte über aftersales@dreame.tech
 Website: <https://global.dreametech.com>

Fehlermeldungen und Lösungen

Wenn das Gerät nicht ordnungsgemäß funktioniert, wird auf dem Bildschirm eine Fehlermeldung angezeigt. Schauen Sie in der folgenden Tabelle nach, um eine Lösung zu finden.

Fehler-Symbol	Mögliche Ursache	Lösung
	Zu wenig Wasser im Reinwasserbehälter	Füllen Sie den Frischwasserbehälter auf.
	Schmutzwasserbehälter ist nicht eingesetzt	Setzen Sie den Schmutzwasserbehälter ein.
	Schmutzwasserbehälter ist voll	Den Schmutzwasserbehälter leeren.
	Schmutzwasserbehälter ist blockiert	Spülen Sie den Schmutzwasserbehälter einschließlich des Separationsmotors an der Behälterabdeckung, des Filterkorbs für feste Abfälle und des Tankdeckels mit Wasser aus.
	Die Bürstenrolle gesteckt	Reinigen Sie den Schlauch und den Verschmutzungssensor wie im Abschnitt „Pflege und Wartung“ beschrieben.
	Die Bürstenrolle nicht installiert	Reinigen Sie die Bürstenrolle.
	Die Bürstenrolle gesteckt	Installieren Sie die Bürstenrolle.
	Die Bürstenwalze und das Rohr sind verschmutzt.	Stellen Sie das Gerät zur Selbstreinigung wieder auf die Basis.
	Zu wenig Reinigungslösung	Bitte füllen Sie den Reinigungslösungsbehälter nach.

Fehlercode	Mögliche Ursache	Lösung
E1-E7	Fehler	Zur Fehlerbehebung das Gerät neu starten. Wenn das Problem weiterhin besteht, wenden Sie sich bitte an den Kundendienst.
F1-F6		
H1-H6		
H7	Batteriesusfall	Warten Sie, bis die Temperatur der Batterie wieder normal ist, und setzen Sie dann das Gerät weiter in Einsatz.

Spezifikationen

Saugen			
Modell	HHR31A	Nennleistung	400 W
Nennspannung	21,6 V ---	Ladezeit	Ca. 3,5 Stunden
Kapazität des Reinwassertank	880 mL	Kapazität des Schmutzwassertank	650 mL
Betriebsfrequenz	2400-2483.5 MHz	Maximale Ausgangsleistung	< 20 dBm
Ladestation			
Modell	HCBM	Nennleistungsaufnahme*	345 W
Nenneingang	220-240 V~ 50-60 Hz	Nennausgang	27 V --- 1,6 A

* Die Nennleistungsaufnahme bezieht sich auf die Leistung, die während eines repräsentativen Zyklus zum Einschalten des Trocknungsmodus gemessen wurde.

Entsorgung und Entfernung von Batterien

Die eingebaute Lithium-Ionen-Batterie enthält umweltgefährdende Substanzen. Stellen Sie vor der Entsorgung der Batterie sicher, dass die Batterie von qualifizierten Technikern entfernt und in einer geeigneten Recyclinganlage entsorgt wird.

- die Batterie muss vor dem Verschrotten aus dem Gerät entfernt werden; ä
- das Gerät muss beim Ausbau der Batterie vom Netz getrennt werden;
- die Batterie muss sicher entsorgt werden.

Anleitung zum Entfernen

1. Entfernen Sie die Verschlusschraube oben auf der Rückseite des Geräts und nehmen Sie die Schraube mit einem Schraubenzieher heraus.
2. Entfernen Sie die Display-Baugruppe mit einem geeigneten Werkzeug und trennen Sie die Kabel ab.
3. Entfernen Sie alle Befestigungsschrauben des Gehäuses mit einem Schraubendreher.
4. Entfernen Sie die Schrauben an der Akku-Baugruppe und nehmen Sie anschließend die Akku-Abdeckung ab.
5. Trennen Sie die Anschlusskabel des Akkus und nehmen Sie den Akku aus der Akku-Baugruppe heraus.

ACHTUNG:

- Bevor Sie den Akku entfernen, trennen Sie die Stromversorgung und lassen Sie den Akku komplett leer laufen.
- Nicht benötigte Batterien sollten in einer geeigneten Recyclinganlage entsorgt werden.
- Lassen Sie den Akku nicht in einer Umgebung mit extrem hohen Temperaturen, um Explosionsrisiken zu vermeiden.
- Unter missbräuchlicher Verwendung kann Flüssigkeit aus der Batterie ausgestoßen werden. Wenn Sie diese aus Versehen anfassen, spülen Sie mit Wasser und suchen Sie medizinische Hilfe.

Entsorgung von Elektro- und Elektronikgeräten



Die durchgestrichene Mülltonne bedeutet, dass Sie gesetzlich verpflichtet sind, diese Geräte einer vom unsortierten Siedlungsabfall getrennten Erfassung zuzuführen. Die Entsorgung über die Restmülltonne oder die gelbe Tonne ist untersagt. Enthalten die Produkte Batterien oder Akkus, die nicht fest verbaut sind, müssen diese vor der Entsorgung entnommen und getrennt als Batterie entsorgt werden.

Möglichkeiten der Rückgabe von Altgeräten

Besitzer von Altgeräten können diese im Rahmen der durch öffentlich-rechtlichen Entsorgungsträger eingerichteten und zur Verfügung stehenden Möglichkeiten der Rückgabe oder Sammlung von Altgeräten abgeben, damit eine ordnungsgemäße Entsorgung der Altgeräte sichergestellt ist. Unter dem folgenden Link besteht die Möglichkeit, sich ein Onlineverzeichnis der Sammel- und Rücknahmestellen anzuzeigen zu lassen: <https://www.ear-system.de/ear-verzeichnis/sammel-und-ruecknahmestellen>.

Datenschutz

Wir weisen alle Endnutzer von Elektro- und Elektronikaltgeräten darauf hin, dass Sie für das Löschen personenbezogener Daten auf den zu entsorgenden Altgeräten selbst verantwortlich sind.

Veuillez lire attentivement ce manuel avant l'utilisation et le conserver pour référence ultérieure.

Lors de l'utilisation d'un appareil électrique, des précautions de base doivent toujours être prises, notamment les suivantes :

LIRE TOUTES LES INSTRUCTIONS AVANT D'UTILISER (CET APPAREIL). Le non-respect des avertissements et des instructions peut entraîner un choc électrique, un incendie et/ou des blessures graves

AVERTISSEMENT — Pour réduire les risques d'incendie, de choc électrique ou de blessure :

Restrictions d'Usage

- Cet appareil peut être utilisé par des enfants à partir de 8 ans et par des personnes ayant des capacités physiques, sensorielles ou mentales réduites ou un manque d'expérience et de connaissances à condition qu'elles aient été placées sous surveillance ou qu'elles aient reçu des instructions concernant l'utilisation de l'appareil en toute sécurité et qu'elles comprennent les dangers encourus.
- Le film plastique peut être dangereux. Pour éviter tout risque de suffocation, tenez-le à l'écart des enfants.
- Les enfants ne doivent pas jouer avec l'appareil.
- N'utilisez l'appareil qu'à l'intérieur, sur des surfaces de sol non recouvertes de tapis, comme le vinyle, le carrelage, le bois scellé, etc. Veillez à ne pas rouler sur des objets non fixés ou sur les bords d'un tapis. Le fait de faire caler la brosse peut entraîner une défaillance prématurée de la courroie.
- N'utilisez que ce qui est décrit dans ce guide de l'utilisateur. N'utilisez que les accessoires recommandés par le fabricant.
- N'exposez pas l'appareil au feu ou à une température excessive. L'exposition au feu ou à une température excessive peut provoquer une explosion.
- Ne pas utiliser dans des environnements extrêmement chauds ou froids (en dessous de 5°C/41°F ou au-dessus de 40°C/104°F). Veuillez charger l'appareil dans une température supérieure à 5°C/41°F et inférieure à 40°C/104°F.
- Ne plongez pas l'appareil dans un liquide.
- Évitez d'utiliser cet appareil pour ramasser des liquides inflammables ou combustibles, comme l'essence. Évitez d'utiliser cet appareil dans des endroits où des liquides inflammables ou combustibles peuvent être présents.
- Ne placez aucun objet dans les ouvertures. N'utilisez pas l'appareil si l'une de ses ouvertures est obstruée ; veillez à ce qu'elle soit exempte de poussière, de peluches, de cheveux et de tout ce qui pourrait empêcher la circulation de l'air.
- Ne ramassez pas de produits toxiques (eau de javel, ammoniac, nettoyant pour canalisations, etc.) Ne pas ramasser d'objets durs ou pointus tels que du verre, des clous, des vis, des pièces de monnaie, etc.
- N'utilisez pas l'appareil dans un espace clos rempli de vapeurs de peinture à l'huile, de diluant pour peinture, de certaines substances antimites, de poussières inflammables ou d'autres vapeurs explosives ou toxiques. Ne ramassez rien qui brûle ou qui fume, comme des cigarettes, des allumettes ou des cendres chaudes.
- Ne l'utilisez pas si les filtres ne sont pas en place.
- Tenez les cheveux, les vêtements amples, les doigts et toutes les parties du corps éloignés des ouvertures et des parties mobiles de l'appareil et de ses accessoires.
- Éloignez les câbles de terre de l'appareil lorsque vous l'utilisez, car un danger peut se présenter si l'appareil passe sur un cordon d'alimentation.
- Faites très attention lorsque vous nettoyez les escaliers.

Consignes de sécurité importantes


Entretien et Stockage

- Empêchez tout démarrage involontaire. Assurez-vous que l'interrupteur est en position OFF avant de prendre ou de transporter l'appareil. Porter l'appareil avec votre doigt sur l'interrupteur ou sur un appareil sous tension dont l'interrupteur est allumé peut provoquer des accidents.
- Assurez-vous que l'appareil est placé sur une surface horizontale. N'utilisez pas l'appareil dans la même position si l'appareil est équipé d'une brosse à rouleau et que la poignée n'est pas complètement verticale. Ne stockez pas l'appareil dans un endroit où il pourrait geler.
- Éteignez et débranchez l'appareil lorsqu'il n'est pas utilisé, avant de le nettoyer, de l'entretenir ou de le réparer, et avant de le connecter ou de le déconnecter avec une brosse en mouvement.
- N'utilisez pas d'appareil endommagé ou modifié. Les piles endommagées ou modifiées peuvent avoir un comportement imprévisible et provoquer un incendie, une explosion ou un risque de blessure.
- Ne modifiez pas ou n'essayez pas de réparer l'appareil sauf comme indiqué dans les instructions d'utilisation et d'entretien.
- N'utilisez pas l'appareil avec un accessoire endommagé (eg: Base de charge, Cordon d'alimentation etc.). Si l'accessoire est endommagé, il doit être remplacé par le fabricant, son agent de service ou des personnes qualifiées similaires afin d'éviter tout danger.
- Faites effectuer l'entretien par un réparateur qualifié utilisant uniquement des pièces de rechange identiques. Cela garantira que la sécurité du produit est maintenue.
- Si le cordon d'alimentation est endommagé, il doit être remplacé par le fabricant, son réparateur ou une personne possédant des qualifications équivalents afin d'éviter tous risques.

Batterie et Charge

- Pour recharger l'appareil, utilisez uniquement la base de charge fourni avec l'appareil. Utilisez uniquement la base de charge HCBM.
- Suivez toutes les instructions de chargement et ne chargez pas l'appareil en dehors de la plage de température spécifiée dans la batterie, car cela augmente le risque d'incendie.
- La base de chargement est équipée d'une fonction de séchage et ne convient que pour sécher la brosse de cet appareil.
- Maintenez le câble de la base de charge à l'écart des surfaces chauffées. Ne manipulez pas la fiche de la base de charge ou l'appareil avec des mains mouillées. Pour débrancher l'appareil, saisissez la fiche de la base de charge plutôt que le câble.
- Ne tirez pas ou ne transportez pas la base de charge par le câble, n'utilisez pas le câble comme une poignée, ne fermez pas la porte sur le câble et ne tirez pas le câble autour de bords ou de coins aigus.
- N'utilisez pas de batterie non rechargeable. Sinon, la batterie lithium-ion peut prendre feu. Cet appareil contient des batteries qui ne peuvent être remplacées que par des techniciens qualifiés ou des personnes du service après-vente.
- Le bloc-piles au lithium contient des substances dangereuses pour l'environnement. Avant de mettre l'appareil au rebut, veuillez d'abord retirer le bloc-piles, puis le mettre au rebut ou le recycler conformément aux lois et réglementations locales du pays ou de la région où il est utilisé.

Consignes de sécurité importantes

- L'appareil doit être débranché de l'alimentation électrique lors du retrait de la batterie. Gardez les piles hors de portée des enfants. Ne mettez jamais les piles dans la bouche. En cas d'ingestion, contactez votre médecin ou le centre antipoison local.
- Dans des conditions abusives, ne jamais entrer en contact avec la pile dont le liquide peut être éjecté. En cas de contact accidentel, rincez à l'eau. Si le liquide entre en contact avec les yeux, consultez immédiatement un médecin. Le liquide éjecté de la batterie peut provoquer des irritations ou des brûlures.
- La base de recharge permet de charger la batterie 6 cellules 5 000 mAh. La base de recharge ne doit pas être utilisée pour charger une batterie non rechargeable. Sinon, la batterie lithium-ion peut prendre feu.
- La base de recharge est marquée d'une icône  indiquant « Attention : Surface brûlante ». Ne touchez pas la brosse à rouleau, l'eau chaude ou le module de chauffage de la base de recharge lors de l'autonettoyage à l'eau chaude.

Symboles



Équipement de classe II



Fusible miniature à temporisation où 3,15 est le symbole de la caractéristique temps/courant



Pour un usage en intérieur uniquement



Lire le manuel de l'opérateur



Attention : Surface brûlante



Informations DEEE

Tous les produits portant ce symbole deviennent des déchets d'équipements électriques et électroniques (DEEE dans la Directive européenne 2012/19/UE) qui ne doivent pas être mélangés aux déchets ménagers non triés. Vous devez contribuer à la protection de l'environnement et de la santé humaine en apportant l'équipement usagé à un point de collecte dédié au recyclage des équipements électriques et électroniques, agréé par le gouvernement ou les autorités locales. Le recyclage et la destruction appropriés permettront d'éviter tout impact potentiellement négatif sur l'environnement et la santé humaine. Contactez l'installateur ou les autorités locales pour obtenir plus d'informations concernant l'emplacement ainsi que les conditions d'utilisation de ce type de point de collecte.

Par la présente, Dreame Trading (Tianjin) Co., Ltd., déclare que cet équipement est conforme aux directives et normes européennes applicables, ainsi qu'à leurs amendements. L'intégralité de la déclaration de conformité pour l'UE est disponible à l'adresse suivante: <https://global.dreametech.com>

Pour obtenir un manuel électronique détaillé, rendez-vous sur le site <https://global.dreametech.com/pages/user-manuals-and-faqs>

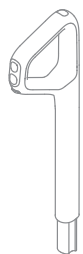
Liste d'emballage



Brosse à rouleau de rechange



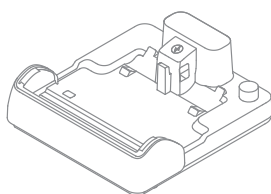
Filtre de rechange



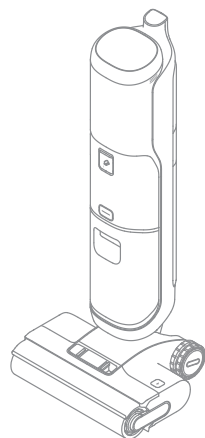
Poignée



Brosse de nettoyage

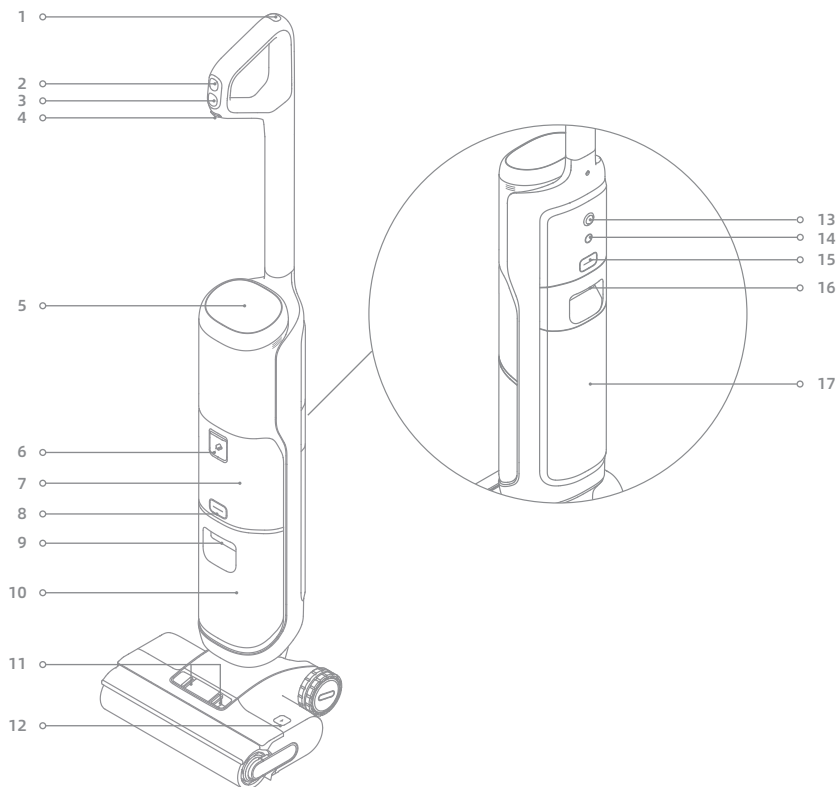


Station de chargement



Corps principal

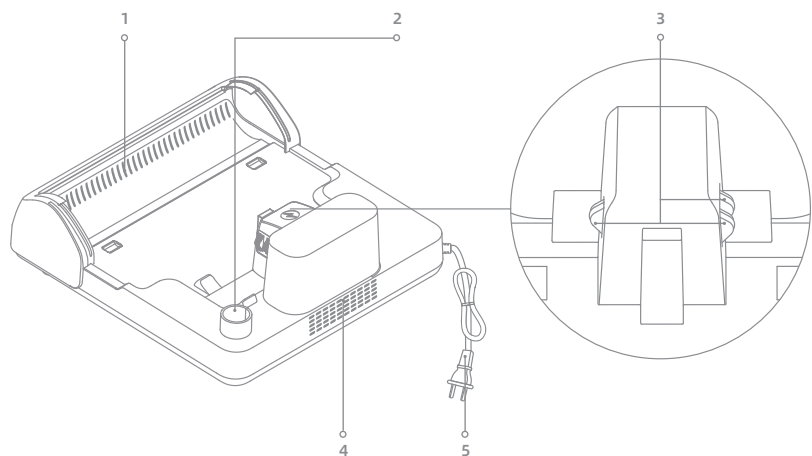
Aspirateur



- | | | |
|--|--|--|
| 1 Bouton d'auto-nettoyage | 8 Bouton de libération du réservoir d'eau propre | 14 Bouton de commande vocale/ Wi-Fi |
| 2 Commutateur de mode | 9 Poignée du réservoir d'eau propre | <ul style="list-style-type: none"> • Appuyez brièvement pour activer le message vocal ou régler le volume • Appuyez et maintenez enfoncé pour démarrer la configuration Wi-Fi/ Réinitialisation Wi-Fi • Réglage de la langue dans l'application |
| 3 Interrupteur d'alimentation | 10 Réservoir d'Eau Propre | 15 Bouton de libération du réservoir d'eau sale |
| 4 Interrupteur de distribution automatique | 11 Boutons de déverrouillage du couvercle de la brosse à rouleau | 16 Poignée du réservoir d'eau sale |
| 5 Écran d'affichage | 12 Boutons de déverrouillage de la brosse à rouleau | 17 Réservoir d'eau sale |
| 6 Orifice de solution de nettoyage | 13 Roue omnidirectionnelle | |
| 7 Boîte de solution de nettoyage | | |

Présentation du produit

Station de chargement



- 1 Sortie de séchage à l'air 2 Emplacement de rangement d'accessoire 3 Contacts de charge 4 Entrée de séchage à l'air 5 Cordon d'alimentation

Écran d'affichage



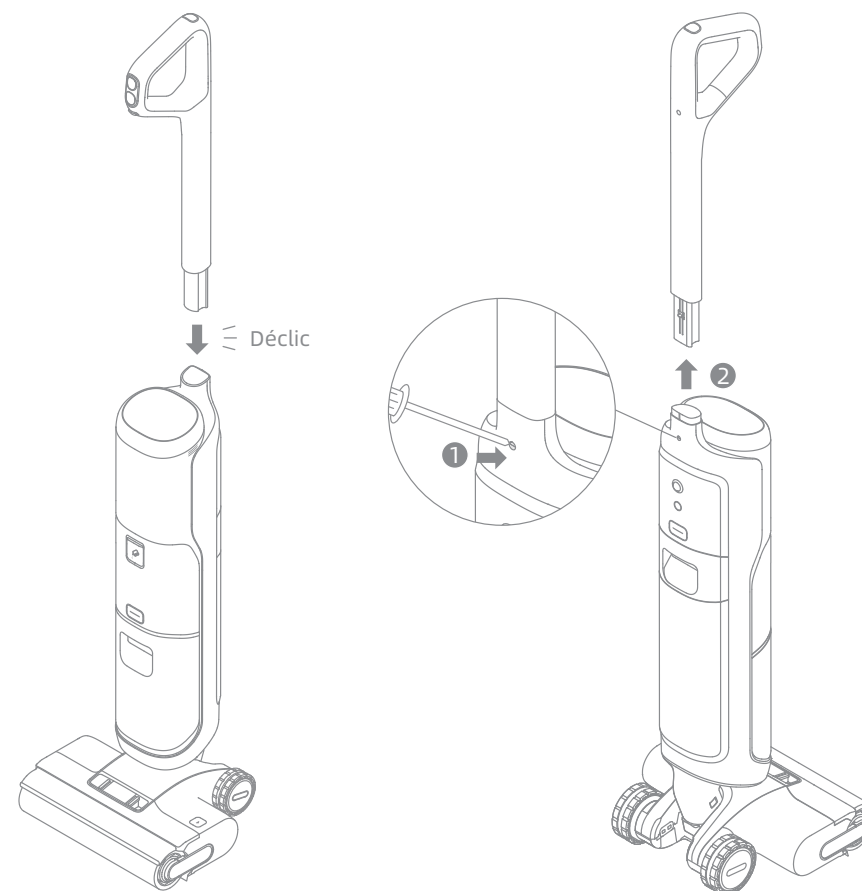
- 1 Mode automatique 5 Mode de séchage
Lorsque le mode de séchage est activé, les icônes ☀️ et 🌸 sont allumées en même temps.
- 2 Mode Ultra 6 Indicateur de concentration de poussière/Indicateur de séchage
• La couleur de l'indicateur varie en fonction de la quantité de saleté cumulée pendant l'utilisation.
• L'indicateur signale le processus de séchage.
- 3 Mode aspiration 7 Indicateur de charge/ batterie déchargée
- 4 Mode personnalisé 8 Messages d'erreur
- 9 Indicateur Wi-Fi
- 10 Indicateur d'état de la solution de nettoyage
• Toujours allumé : Fonction de dilution activée
• Clignotant : Faible niveau de dilution

Remarque : Si l'appareil ne fonctionne pas correctement, l'écran affichera un message d'erreur ou un code d'erreur. Veuillez vous référer au tableau des messages d'erreur et des solutions pour corriger le problème.

Installation

Installation de la poignée

Insérez l'extrémité de la poignée verticalement dans le port sur le dessus de l'aspirateur comme indiqué, vous le sentirez cliquer en place.

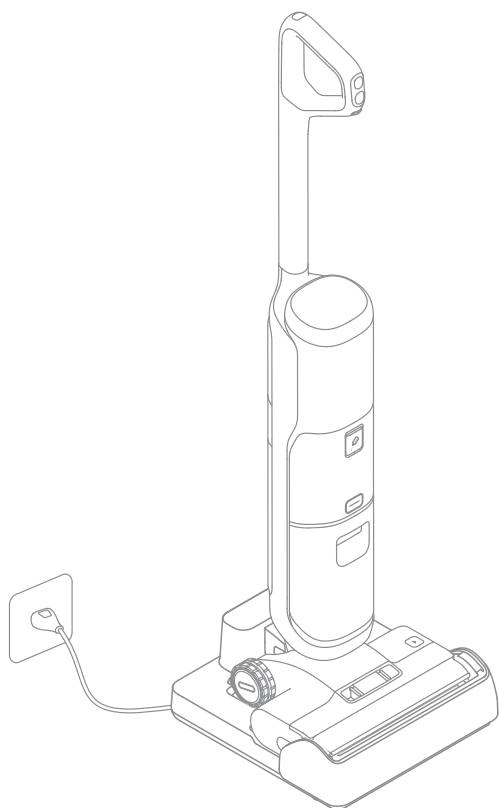


Remarque : Pour le démontage, insérez un outil rigide dans le trou de l'appareil comme indiqué pour enfoncer les contacts et tirez la poignée vers le haut en même temps.

1. Placez la station de chargement contre un mur sur un sol plat et branchez-la à une source d'alimentation. Chargez complètement l'appareil avant la première utilisation.
2. Mettez l'appareil sur la base de recharge. Lorsque le chiffre sur l'écran atteint 100, la batterie est complètement chargée.

⚡ Indicateur de charge/batterie déchargée

- Clignote lentement en orange : Le niveau de batterie est $\leq 20\%$ (charge en cours)
- Clignote lentement en vert : Le niveau de batterie est $> 20\%$ (charge en cours)
- Vert fixe : Complètement chargée
- Orange fixe : Le niveau de batterie est $\leq 20\%$

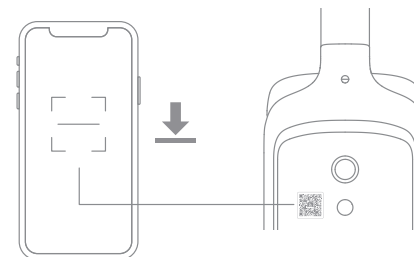


Remarque :

- Si l'aspirateur reste inutilisé pendant 10 minutes après la charge complète, il passera en veille. Veuillez redémarrer l'appareil pour l'utiliser.
- La batterie se refroidit automatiquement après une utilisation prolongée afin de prolonger sa durée de vie.

1. Télécharger l'application Dreamehome

Scannez le code QR sur l'appareil ou recherchez « Dreamehome » dans l'App Store pour télécharger et installer l'application.

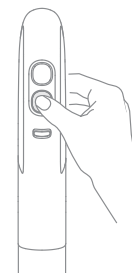


Remarque :

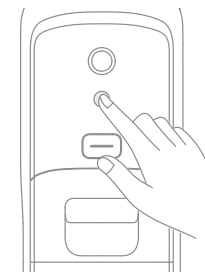
- Seul le réseau Wi-Fi 2,4 GHz est reconnu.
- Le logiciel d'application étant soumis à des mises à jour, les opérations réelles peuvent donc différer des instructions de ce manuel. Veuillez suivre les instructions selon la version actuelle de l'application.

2. Ajouter un appareil

- 1 Appuyez sur l'interrupteur de mise sous tension brièvement pour allumer l'appareil.



- 2 Maintenez le bouton de commande vocale/Wi-Fi situé à l'arrière de l'appareil enfoncé pour configurer la connexion Wi-Fi. L'indicateur Wi-Fi clignote en blanc, et la commande vocale annonce « En attente de la configuration du réseau ».



- 3 Ouvrez l'application Dreamehome et scannez à nouveau le même code QR sur l'appareil pour ajouter l'appareil. Suivez les messages d'instructions pour terminer la connexion Wi-Fi.



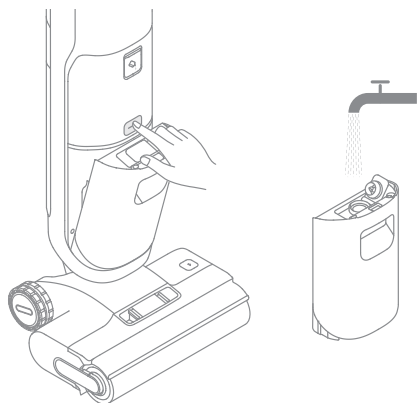
Indicateur Wi-Fi

- Clignote lentement : Connexion nécessaire
- Clignote rapidement : Connexion en cours/Mise à jour en Wi-Fi
- Allumé : Connecté

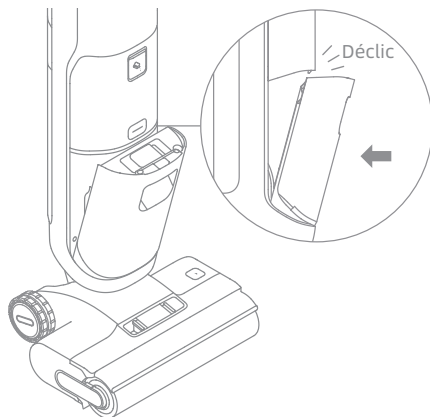
Remarque : L'appareil quittera la connexion réseau s'il n'est pas utilisé pendant 10 minutes ou si la connexion réseau échoue. Pour réinitialiser le Wi-Fi, répétez les étapes ci-dessus et terminez la connexion en suivant les instructions dans l'application.

Remplissage du réservoir d'eau propre

1. Appuyez sur le bouton de déverrouillage du réservoir d'eau propre pour retirer le réservoir. Ouvrez le couvercle du réservoir et remplissez le réservoir d'eau propre.

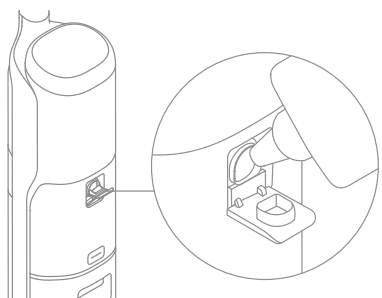


2. Installez le réservoir d'eau propre et assurez-vous qu'il s'enclenche.

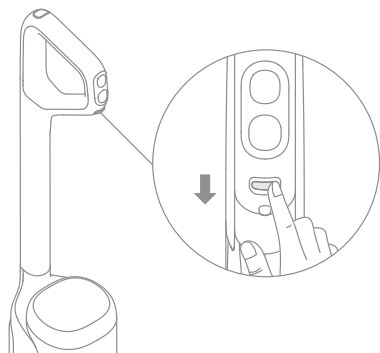


Ajouter du liquide de nettoyage


1. Ouvrez le couvercle de la boîte de solution de nettoyage, remplissez-la avec la solution de nettoyage et refermez le couvercle hermétiquement.



2. Allumez l'interrupteur de distribution automatique, puis l'écran  s'allume. L'appareil ajuste intelligemment le rapport entre la solution de nettoyage et l'eau en fonction de la saleté présente sur le sol afin de le nettoyer efficacement.




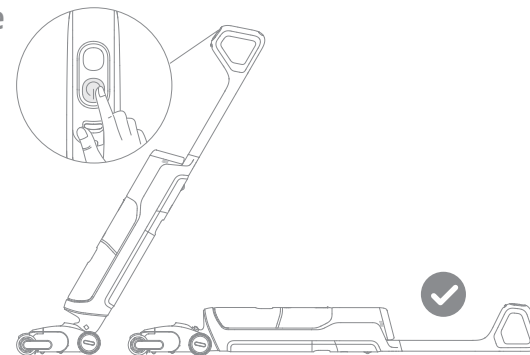
Remarque :

- Veuillez ajouter la solution de nettoyage directement dans la boîte de solution de nettoyage lorsqu'elle est utilisée. L'appareil ajuste le taux de dilution en fonction des paramètres de l'application et de la saleté.
- N'ajoutez pas de liquide autre que le nettoyant officiellement approuvé. Le nettoyant est disponible sur la boutique en ligne officielle.
- L'écran  clignote pour indiquer que la solution de nettoyage est épuisée. Veuillez remplir la solution de nettoyage immédiatement.
- Si la solution de nettoyage n'est pas utilisée temporairement, veuillez éteindre l'interrupteur de distribution automatique.

AVERTISSEMENT : Pour réduire les risques d'incendie et d'électrocution dus à la détérioration des composants internes, utilisez uniquement le liquide de nettoyage Dreame destiné à cet appareil.

Démarrage du nettoyage

Appuyez doucement sur le couvercle de la brosse et inclinez l'appareil vers l'arrière. Appuyez sur l'interrupteur de mise sous tension  pour démarrer/arrêter le fonctionnement. Si l'appareil est en position verticale pendant son fonctionnement, la tâche en cours sera suspendue. L'appareil est conçu pour être posé à plat à un angle de 180 degrés, ce qui lui permet d'atteindre et de nettoyer sous les meubles bas.



Remarque :

- Ne pas utiliser pour aspirer des liquides mousseux.
- Assurez-vous que l'appareil est en position verticale avant de l'éteindre lorsqu'il est à plat.
- L'appareil est adapté au nettoyage des sols, du marbre, des carreaux et autres surfaces dures.
- Pendant le fonctionnement de l'appareil, évitez de le soulever du sol, de l'incliner ou de le déplacer. Sinon, l'eau sale risque de s'écouler dans le moteur.

Changement de Modes

Appuyez sur le commutateur de modes  pour changer de mode en fonction de vos besoins.



Mode Automatique

L'appareil réglera intelligemment la puissance d'aspiration en fonction des taches présentes au sol.



Mode Ultra

Préparation du mode ultra, veuillez patienter 30 secondes. Ce mode convient au nettoyage en profondeur.



Mode Aspiration

Si le mode d'aspiration est sélectionné, l'appareil aspirera uniquement l'eau ; la brosse à rouleau ne sera pas humidifiée et le réservoir d'eau propre ne distribuera pas d'eau.

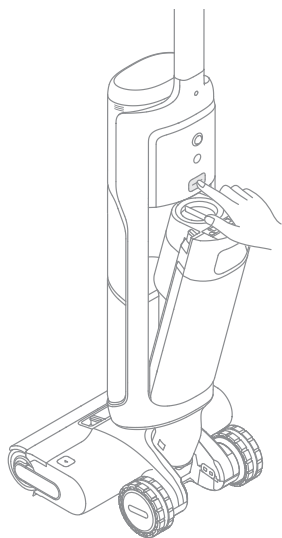


Mode Personnalisé

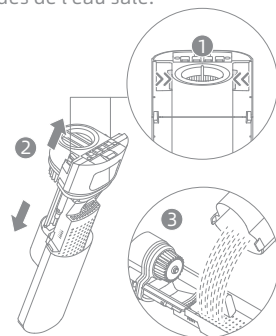
Les paramètres, y compris le réglage de la puissance d'aspiration et du niveau d'eau, peuvent être personnalisés via l'application. L'appareil commencera à nettoyer en fonction des paramètres configurés dans l'application.

Vidange du réservoir d'eau sale

1. Appuyez sur le bouton de déverrouillage du réservoir d'eau sale pour retirer le réservoir.

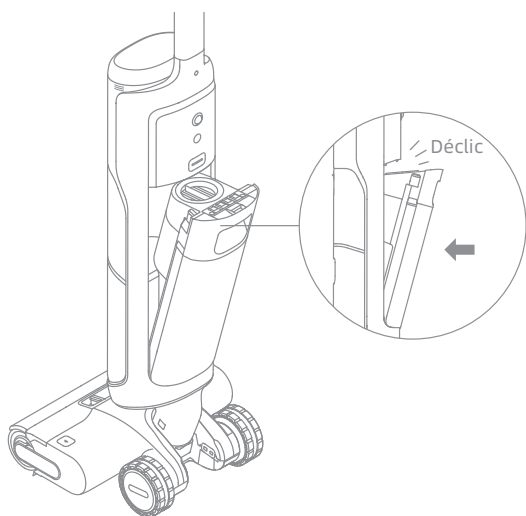




2. Appuyez sur les boutons de déverrouillage du couvercle du réservoir d'eau sale pour retirer le couvercle du réservoir. Déversez l'eau sale et utilisez le panier-filtre pour déchets solides pour séparer les déchets solides de l'eau sale.



Remarque : Le panier-filtre pour déchets solides est un composant détachable. L'appareil peut être utilisé normalement après le retrait de la pièce.

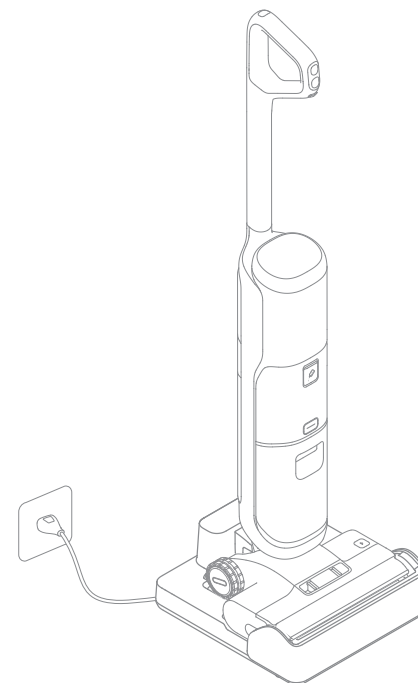
3. Réinstallez le réservoir d'eau sale jusqu'à ce que vous entendiez un clic.

**Autonettoyage avec eau chaude et mode de séchage**

1. Reposez l'appareil sur la base. Assurez-vous que l'eau contenue dans le réservoir d'eau propre est suffisante pour l'autonettoyage.
2. Appuyez sur le bouton d'auto-nettoyage  en haut de la poignée pour démarrer/arrêter l'auto-nettoyage.
3. Videz le réservoir d'eau sale une fois l'autonettoyage terminé et le mode de séchage activé. Appuyez sur le bouton  pour quitter le mode de séchage.
4. Appuyez sur le bouton d'autonettoyage et maintenez-le enfoncé pour accéder aux paramètres du mode de séchage et sélectionner le mode de séchage par défaut.

Remarque :

- Si la distribution automatique est activée, l'appareil utilisera automatiquement la solution de nettoyage par défaut pour l'auto-nettoyage.
- Ne touchez pas la brosse à rouleau, l'eau chaude ou le module de chauffage de la base de recharge lors de l'autonettoyage à l'eau chaude.
- La fonction d'autonettoyage ne peut être activée que lorsque l'appareil est en charge et que le niveau de la batterie est supérieur à 15 %. Si le niveau de la batterie est inférieur, veuillez charger à 15 % avant de commencer l'autonettoyage.
- Les paramètres spécifiés relatifs à ce produit peut être affectés par la température ambiante, l'humidité, l'altitude ou d'autres facteurs. Les résultats des tests peuvent varier de $\pm 10\%$, ce qui dépendra de la situation réelle.

**Rétablir les paramètres d'usine**

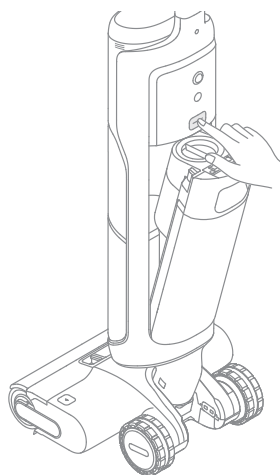
Maintenez le bouton de commande vocale/Wi-Fi et le bouton d'autonettoyage enfoncés pendant 3 secondes pour rétablir les paramètres d'usine.

Conseils :

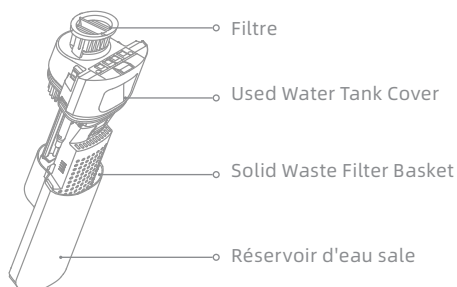
- Éteignez l'appareil avant l'entretien. Ne touchez pas l'interrupteur d'alimentation.
- Les pièces doivent être remplacées si nécessaire, veuillez utiliser les pièces désignées par l'usine d'origine afin de ne pas endommager le produit en raison d'une inadéquation.
- Si l'appareil n'est pas utilisé pendant une période prolongée, chargez-le complètement, débranchez l'adaptateur d'alimentation et rangez l'appareil dans un endroit frais, peu humide et à l'abri des rayons directs du soleil. Pour éviter une décharge excessive de la batterie, chargez l'appareil au moins une fois tous les 3 mois.

Nettoyage du réservoir d'eau sale

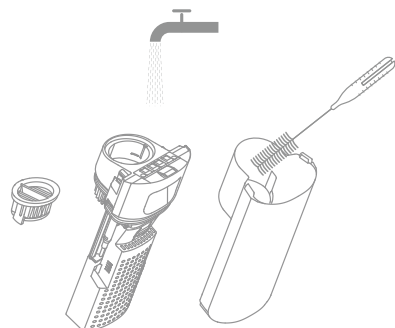
1. Appuyez sur le bouton de déverrouillage du réservoir d'eau sale pour retirer le réservoir.



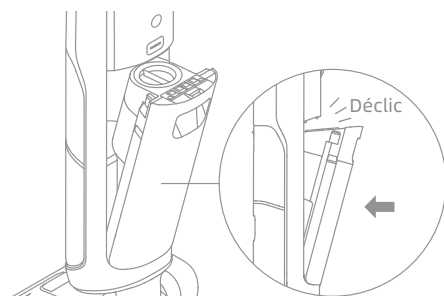
2. Appuyez sur les boutons de déverrouillage du couvercle du réservoir d'eau sale pour retirer le couvercle du réservoir. Retirez le filtre du couvercle du réservoir d'eau sale.



3. Rincez le réservoir d'eau sale, y compris le moteur de séparation sur le couvercle du réservoir, le panier-filtre pour déchets solides et le couvercle du réservoir avec de l'eau. Utilisez la brosse de nettoyage fournie pour nettoyer les parois intérieures du réservoir.



4. Réinstallez le filtre et le couvercle du réservoir d'eau sale. Réinstallez ensuite le réservoir d'eau sale jusqu'à ce que vous entendiez un déclic.



Remarque : Il est recommandé de nettoyer le réservoir d'eau sale immédiatement après chaque utilisation, ainsi qu'avant et après l'autonettoyage.

Nettoyage du filtre

1. Retirez le filtre et éliminez délicatement la poussière qui flotte à la surface.



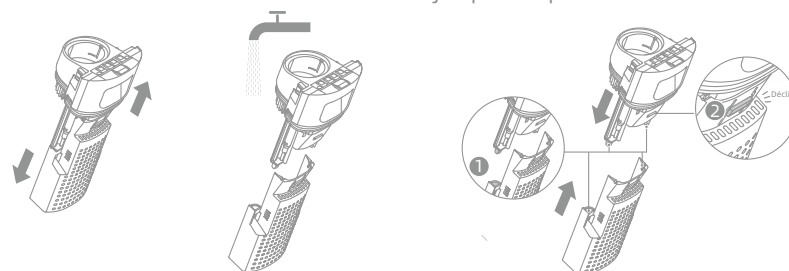
2. Lorsque le filtre est sale et doit être lavé, rincez-le à l'eau. Il doit être complètement sec avant l'utilisation.



Remarque : Il est recommandé de remplacer le filtre tous les 3 à 6 mois.

Nettoyer le panier-filtre pour déchets solides

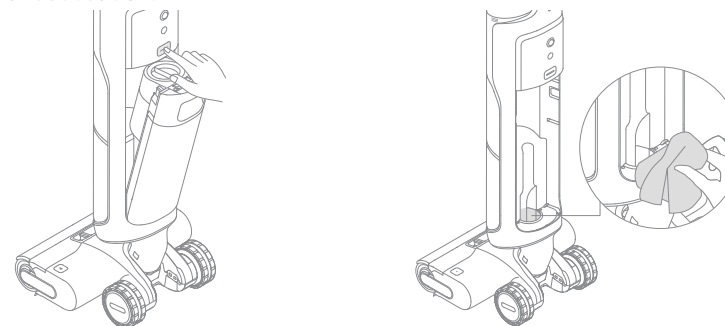
Retirez le réservoir d'eau sale puis le couvercle du réservoir. Ensuite, détachez le panier-filtre pour déchets solides pour le nettoyer. Pour le remontage, alignez le bas du couvercle du réservoir d'eau sale avec les trous de positionnement sur le panier-filtre pour déchets solides. Insérez-le correctement jusqu'à ce que vous entendiez un clic.



Remarque : Le panier-filtre pour déchets solides est un composant détachable. L'appareil peut être utilisé normalement après le retrait de la pièce.

Nettoyage du tube et du capteur de saleté

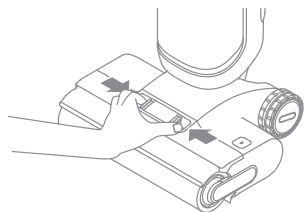
Retrait du réservoir d'eau sale. Essuyez le tube et le capteur de saleté avec un chiffon humide avant utilisation.



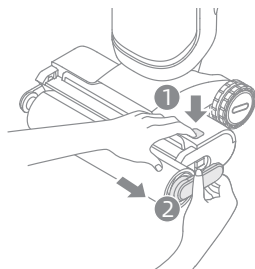
Remarque : Ne rincez pas le tube ou le capteur de saleté.

Nettoyage de la brosse

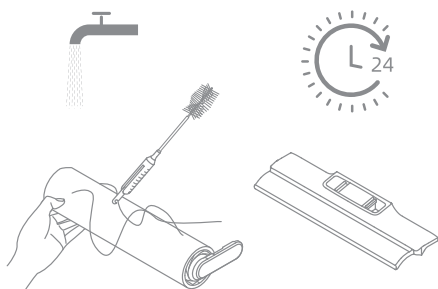
1. Appuyez sur les boutons de déverrouillage du couvercle de la brosse à rouleau pour retirer le couvercle de la brosse à rouleau.



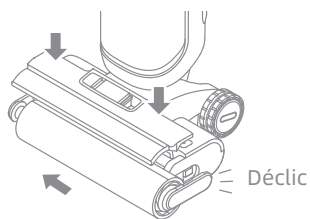
2. Appuyez sur le bouton de déverrouillage de la brosse à rouleau et tirez sur la poignée pour retirer la brosse à rouleau.



3. Nettoyez les poils et les débris coincés sur le rouleau à brosse avec la brosse de nettoyage fournie. Rincez le rouleau brosse et le couvercle à l'eau claire et séchez-le complètement.



5. Réinstallez la brosse à rouleau et le couvercle de la brosse à rouleau jusqu'à ce que vous entendiez un clic.



Remarque :

- Ne rincez pas l'unité de la brosse avec de l'eau.
- Nettoyez-la si nécessaire. Il est recommandé de remplacer la brosse à rouleau tous les 3 à 6 mois.
- Assurez-vous que le réservoir d'eau sale est retiré ou vidé avant de poser l'appareil sur le côté pour nettoyer la brosse à rouleau.

Indication pour la panne

Si une erreur se produit, l'appareil s'arrête de fonctionner. Veuillez consulter le tableau suivant pour le dépannage. Si le problème persiste, veuillez contacter le service clientèle.

Erreur	Cause Possible	Solution
L'appareil ne fonctionne pas.	L'appareil n'a plus de batterie ou son niveau de batterie est faible.	Chargez complètement sa batterie avant de l'utiliser.
	L'appareil est en position verticale.	Inclinez l'appareil vers l'arrière.
	Mode de protection contre la surchauffe activé par blocage.	Éliminez l'obstruction et attendez que la température redevienne normale.
	Le réservoir d'eau sale est plein.	Videz le réservoir d'eau sale.
L'appareil se charge lentement.	Les pièces ne sont pas correctement installées.	Assurez-vous que toutes les pièces sont correctement en place.
	La température de la batterie est trop basse ou trop élevée.	Attendez que la température de la batterie redevienne normale.
La puissance d'aspiration de l'appareil est faible.	Le filtre est bouché.	Nettoyez le filtre.
	Le port d'aspiration ou le tube est bloqué par un corps étranger.	Nettoyez le tube et l'entrée d'aspiration.
Le moteur émet un bruit étrange.	Il y a trop d'eau sale dans le réservoir d'eau sale.	Videz le réservoir d'eau sale.
	L'ouverture d'aspiration principale est bloquée.	Éliminez tout blocage dans l'ouverture d'aspiration principale.
L'indicateur de niveau de batterie sur l'écran ne s'allume pas pendant la charge.	La prise de la station de charge n'est pas insérée correctement dans la prise électrique.	Assurez-vous que la prise de la station de charge est bien insérée.
	L'appareil n'est pas placé correctement sur la station de chargement.	Assurez-vous que l'appareil est placé correctement sur la base de chargement.
Il n'y a pas d'eau qui sort de l'appareil.	Le réservoir d'eau propre n'est pas correctement installé ou le niveau d'eau dans le réservoir d'eau propre est insuffisant.	Réinstallez ou remplissez le réservoir d'eau propre.
	Il faut 30 secondes pour humidifier le rouleau-brosse.	Allumez l'appareil et vérifiez à nouveau après un certain temps.







Indication pour la panne

Fuite d'eau par le haut du réservoir d'eau sale.	Un choc ou une traction brutale provoque l'entrée d'eau dans le moteur.	Déplacez doucement l'aspirateur d'avant en arrière lorsque vous le mettez en marche.
	Le filtre n'est pas complètement sec après avoir été nettoyé.	Séchez complètement le filtre avant de l'utiliser.
L'autonettoyage a échoué.	La brosse à rouleau est peut-être bloquée par de grosses particules.	Retirez le couvercle de la brosse à rouleau pour vérifier et nettoyer la brosse à rouleau.
	L'appareil n'est pas placé correctement sur la station de chargement.	Assurez-vous que l'appareil est chargé avant d'activer la fonction d'autonettoyage.
	L'autonettoyage ne peut pas être activé si le restant de la batterie est inférieur à 15%.	La fonction d'autonettoyage ne peut être activée que lorsque l'appareil est en charge et que le niveau de la batterie est supérieur à 15%.
	Le réservoir d'eau sale n'est pas installé en place ou le réservoir d'eau sale est plein.	Réinstallez ou videz le réservoir d'eau sale.
	Le réservoir d'eau propre n'est pas installé ou le niveau d'eau dans le réservoir d'eau propre est insuffisant.	Réinstallez ou remplissez le réservoir d'eau propre.
Performances de séchage médiocre.	La sortie et l'entrée d'air de la base de charge sont peut-être bloquées.	Vérifiez et éliminez l'obstruction à la sortie et à l'entrée d'air.
Le mode de séchage ne fonctionne pas.	Le mode de séchage ne peut pas être activé si le niveau de la batterie est inférieur à 15%.	Une fois l'autonettoyage terminé, l'appareil démarre automatiquement le processus de séchage une fois chargé à 15%.
Échec de la connexion Wi-Fi.	Le mot de passe du réseau Wi-Fi n'est pas correct.	Assurez-vous que le mot de passe utilisé pour vous connecter à votre réseau Wi-Fi est correct.
	L'appareil ne prend pas en charge la connexion Wi-Fi 5 GHz.	Assurez-vous que l'appareil est connecté à une connexion Wi-Fi 2,4 GHz.
	Le signal Wi-Fi est faible.	Vérifiez que l'appareil se trouve dans une zone où la couverture Wi-Fi est bonne.
	L'appareil n'est peut-être pas prêt à être configuré.	Veillez quitter et rouvrir l'application, puis essayez à nouveau comme indiqué.

Pour des services supplémentaires, veuillez nous contacter via aftersales@dreame.tech
<https://global.dreametech.com>

Messages d'erreur et Solutions

Si l'appareil ne fonctionne pas correctement, l'écran affichera un message d'erreur. Veuillez vous référer au tableau ci-dessous pour corriger le problème.

Icône d'Erreur	Cause Possible	Solution
	Insuffisance d'eau dans le réservoir d'eau propre	Remplissez le réservoir d'eau propre.
	Le réservoir d'eau sale n'est pas installé	Installez le réservoir d'eau sale.
	Réservoir d'eau sale plein	Videz le réservoir d'eau sale.
	Réservoir d'eau sale bloqué	Rincez le réservoir d'eau sale, y compris le moteur de séparation sur le couvercle du réservoir, le panier-filtre pour déchets solides et le couvercle du réservoir avec de l'eau.
	Brosse à rouleau coincée	Reportez-vous à la section Nettoyage et entretien pour nettoyer le tube et le capteur de poussière.
	La brosse à rouleau n'est pas installée	Nettoyez la brosse à rouleau.
	Brosse à rouleau coincée	Installez la brosse à rouleau.
	La brosse à rouleau et le tube sont sales	Reposez l'appareil sur la base pour l'autonettoyage.
	Solution de nettoyage insuffisante	Veillez remplir la boîte de solution de nettoyage.

Code d'Erreur	Cause Possible	Solution
E1-E7	Erreur	Redémarrez l'appareil pour le dépannage. Si le problème persiste, veuillez contacter le service clientèle.
F1-F6		
H1-H6		
H7	Défaillance de la batterie	Attendez que la température de la batterie redevienne normale, puis continuez à utiliser l'aspirateur.

Aspirateur			
Modèle	HHR31A	Puissance nominale	400 W
Tension nominale	21,6 V ---	Temps de charge	Environ. 3,5 heures
Capacité serbatoio dell'acqua pulita	880 mL	Capacité du réservoir d'eau sale	650 mL
Fréquence de fonctionnement	2400-2483.5 MHz	Puissance de sortie maximale	< 20 dBm
Station de chargement			
Modèle	HCBM	Entrée de puissance nominale*	345 W
Entrée nominale	220-240 V~ 50-60 Hz	Sortie nominale	27 V ---, 1,6 A

* La puissance d'entrée nominale correspond à la puissance mesurée pendant un cycle normal d'entrée en mode de séchage.



Mise au rebut et retrait de la batterie

La batterie lithium-ion intégrée contient des substances dangereuses pour l'environnement. Avant de mettre la batterie au rebut, assurez-vous qu'elle est retirée par des techniciens qualifiés et mise au rebut dans un centre de recyclage approprié.

- la batterie doit être retirée de l'appareil avant d'être mise au rebut ;
- l'appareil doit être déconnecté du réseau électrique lors du retrait de la batterie ;
- la batterie doit être mise au rebut en toute sécurité.

Guide de retrait

1. Retirez le bouchon vissé en haut à l'arrière de l'appareil et retirez la vis à l'aide d'un tournevis.
2. Utilisez un outil approprié pour retirer l'écran et débrancher les câbles.
3. Utilisez un tournevis pour retirer toutes les vis de fixation du boîtier.
4. Retirez les vis de l'assemblage de la batterie, puis retirez le couvercle de la batterie.
5. Débranchez les câbles de connexion de la batterie et retirez la batterie de l'assemblage de la batterie.

ATTENTION :

- Avant de retirer la batterie, débranchez l'appareil et videz la batterie autant que possible.
- Les batteries inutilisées doivent être mises au rebut dans un centre de recyclage approprié.
- Ne pas exposer à un environnement à haute température pour éviter les risques d'explosion.
- Dans des conditions abusives, un liquide peut être éjecté de la batterie. En cas de contact, rincez à l'eau et consultez un médecin.

Leggere attentamente questo manuale prima dell'uso e conservarlo per riferimento futuro. Quando si utilizza un apparecchio elettrico, è necessario seguire sempre le precauzioni di base, comprese le seguenti:

LEGGERE TUTTE LE ISTRUZIONI PRIMA DI UTILIZZO (QUESTO APPARECCHIO). La mancata osservanza delle avvertenze e delle istruzioni può provocare scosse elettriche, incendi e/o lesioni gravi.

AVVERTENZA — Per ridurre il rischio di incendi, scosse elettriche o lesioni:

Restrizioni di Utilizzo

- Questo prodotto non deve essere utilizzato da bambini di età inferiore a 8 anni, né da persone con deficit fisici, sensoriali, cognitivi, esperienza o conoscenza limitata, senza la supervisione di un genitore o tutore, al fine di garantire la sicurezza del funzionamento ed evitare eventuali rischi. La pulizia e la manutenzione non devono essere eseguite da bambini senza supervisione.
- La pellicola di plastica può essere pericolosa. Per evitare il pericolo di soffocamento, tenerlo lontano dalla portata dei bambini.
- I bambini non devono giocare con l'apparecchio.
- Utilizzare solo in interni, su superfici non rivestite di tappeto come vinile, piastrelle, legno sigillato, ecc. Fare attenzione a non calpestare oggetti sciolti o bordi di tappeti. Lo stallo della spazzola può provocare un guasto prematuro della cinghia.
- Utilizzare solo come descritto in questa guida per l'utente. Utilizzare solo gli accessori consigliati dal produttore.
- Non esporre l'apparecchio a fiamme o temperature eccessive. L'esposizione al fuoco o ad una temperatura eccessiva può provocare un'esplosione.
- Non usare in ambienti estremamente caldi o freddi (sotto 5 °C/41 °F o sopra 40 °C/104 °F). Per favore ricarica l'apparecchio a temperature superiori a 5 °C/41 °F e inferiori a 40 °C/104 °F.
- Non immergere l'apparecchio in liquidi.
- Non usare per raccogliere liquidi infiammabili o combustibili, come benzina. Non usare in aree dove possono essere presenti liquidi infiammabili o combustibili.
- Non mettere nessun oggetto nelle aperture. Non usare l'apparecchio quando una qualsiasi apertura è ostruita; mantieni esente da polvere, lanugine, capelli e qualsiasi cosa possa inibire il flusso d'aria.
- Non raccogliere materiale tossico (candeggina a base di cloro, ammoniaca, detergente per scarichi, ecc.). Non raccogliere oggetti duri o appuntiti come vetro, chiodi, viti, monete, ecc.
- Non utilizzare l'apparecchio in uno spazio chiuso pieno di vapori emessi da vernici a base di olio, diluenti per vernici, alcune sostanze antitarre, polvere infiammabile o altri vapori esplosivi o tossici. Non raccogliere nulla che stia bruciando o fumando, come sigarette, fiammiferi o cenere calda.
- Non utilizzarlo senza filtri in posizione.
- Tenere i capelli, i vestiti larghi, le dita e tutte le parti del corpo lontani dalle aperture e dalle parti in movimento dell'apparecchio e dei suoi accessori.
- Tieni i cavi di messa a terra lontani dall'apparecchio durante l'uso, poiché un pericolo potrebbe verificarsi se l'apparecchio passa su un cavo di alimentazione.
- Prestare particolare attenzione durante la pulizia delle scale.

Istruzioni Importanti per la Sicurezza


Manutenzione e Conservazione

- Impedire l'avviamento accidentale. Assicurarsi che l'interruttore sia in posizione OFF prima di sollevare o trasportare l'apparecchio. Trasportare l'apparecchio con il dito sull'interruttore o mettere sotto tensione l'apparecchio con l'interruttore acceso può provocare incidenti.
- Assicurarsi che l'apparecchio sia posizionato su una superficie orizzontale. Non utilizzare l'apparecchio nella stessa posizione se è dotato di spazzola rotante e il manico non è completamente in posizione verticale. Non riporre l'elettrodomestico in un luogo in cui potrebbe gelare.
- Spegni e scollega l'apparecchio quando non è in uso, prima di pulirlo, manutenerlo o ripararlo, e prima di collegarlo o scollegarlo con una spazzola mobile.
- Non utilizzare un apparecchio danneggiato o modificato. Le batterie danneggiate o modificate possono presentare un comportamento imprevedibile con conseguenti incendi, esplosioni o rischio di lesioni.
- Non modificare o tentare di riparare l'apparecchio salvo quanto indicato nelle istruzioni per l'uso e la cura.
- Non usare l'apparecchio con un accessorio danneggiato (es: Base di ricarica, Cavo di alimentazione, ecc.). Se l'accessorio è danneggiato, deve essere sostituito dal produttore, dal suo agente di servizio o da persone persona con qualifica simile al fine di evitare pericoli.
- Far eseguire la manutenzione da un tecnico qualificato utilizzando solo parti di ricambio identiche. Ciò garantirà il mantenimento della sicurezza del prodotto.
- Se il cavo di alimentazione è danneggiato, deve essere sostituito dal produttore, dal suo agente di assistenza o da persone analogamente qualificate, al fine di evitare pericoli.

Batteria e Ricarica

- Ai fini della ricarica dell'apparecchio, usa solo la base di ricarica fornita con questo apparecchio. Usa solo con base di ricarica HCBM.
- Segui tutte le istruzioni per la ricarica e non ricaricare l'apparecchio al di fuori dell'intervallo di temperatura specificato nella batteria, poiché ciò aumenta il rischio di incendio.
- La base di ricarica è dotata di funzione di asciugatura ed è adatta solo per asciugare la spazzola di questo apparecchio.
- Tieni il cavo della base di ricarica lontano da superfici riscaldate. Non maneggiare la spina della base di ricarica o l'apparecchio con le mani bagnate. Per scollegare, afferra la spina della base di ricarica, anziché il cavo.
- Non tirare o trasportare la base di ricarica tramite il cavo, usare il cavo come maniglia, chiudere la porta sul cavo o tirare il cavo attorno a spigoli vivi o angoli.
- Non utilizzare batterie non ricaricabili. In caso contrario, la batteria agli ioni di litio potrebbe prendere fuoco. Questo apparecchio contiene batterie che possono essere sostituite solo da tecnici qualificati o dal servizio di assistenza.
- La batteria al litio contiene sostanze pericolose per l'ambiente. Prima di smaltire l'apparecchio, rimuovi prima il pacco batteria, quindi smaltiscilo o ricicla in conformità con le leggi e le normative locali del paese o della regione in cui è usato.

Istruzioni Importanti per la Sicurezza

- L'apparecchio deve essere scollegato dall'alimentazione quando rimuovi la batteria. Tieni le batterie fuori dalla portata dei bambini. Non mettere mai le batterie in bocca. In caso di ingestione, contatta il tuo medico o il controllo antiveneni locale.
- In condizioni abusive, non contattare mai la batteria da cui potrebbe essere espulso il liquido. In caso di contatto accidentale, sciacqua con acqua. Se il liquido viene a contatto con gli occhi, consulta immediatamente un medico. Il liquido espulso dalla batteria può causare irritazioni o ustioni.
- La base di ricarica è in grado di caricare il pacco batteria a 6 celle da 5000 mAh. Questa base di ricarica non deve essere utilizzata per caricare batterie non ricaricabili. In caso contrario, la batteria agli ioni di litio potrebbe prendere fuoco.
- La base di ricarica è contrassegnata da un simbolo  che indica "Attenzione: Superficie calda." Non toccare la spazzola a rullo, l'acqua calda o il modulo di riscaldamento della base di ricarica durante l'autopulizia con acqua calda.

Simboli



Apparecchiature di classe II



Fusibile in miniatura temporizzato dove 3,15 è il simbolo della caratteristica tempo/corrente



Solo per uso interno



Leggi il manuale dell'operatore



Attenzione: superficie calda



Informazioni RAEE

Tutti i prodotti contrassegnati da questo simbolo sono rifiuti di apparecchiature elettriche ed elettroniche (RAEE in base alla direttiva 2012/19/UE) che non devono essere smaltiti assieme a rifiuti domestici non differenziati. Al contrario, è necessario proteggere l'ambiente e la salute umana consegnando i rifiuti a un punto di raccolta autorizzato al riciclaggio di rifiuti di apparecchiature elettriche ed elettroniche, predisposto dalla pubblica amministrazione o dalle autorità locali. Lo smaltimento e il riciclaggio corretti aiutano a prevenire conseguenze potenzialmente negative all'ambiente e alla salute umana. Contattare l'installatore o le autorità locali per ulteriori informazioni sulla sede e per i termini e le condizioni di tali punti di raccolta.

Con la presente, Dreame Trading (Tianjin) Co., Ltd., dichiara che questo apparecchio è conforme alle direttive applicabili e alle norme europee, nonché ai relativi emendamenti. Il testo completo della dichiarazione di conformità UE è disponibile al seguente indirizzo Internet: <https://global.dreameotech.com>

Il manuale elettronico dettagliato è disponibile all'indirizzo <https://global.dreameotech.com/pages/user-manuals-and-faq>

Lista Imballaggio



Spazzola a Rullo di Ricambio



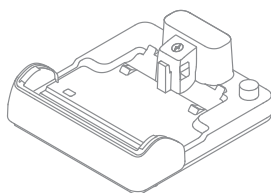
Filtro di Ricambio



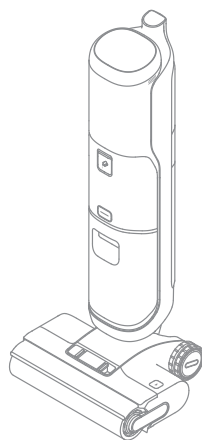
Maniglia



Spazzola per la Pulizia

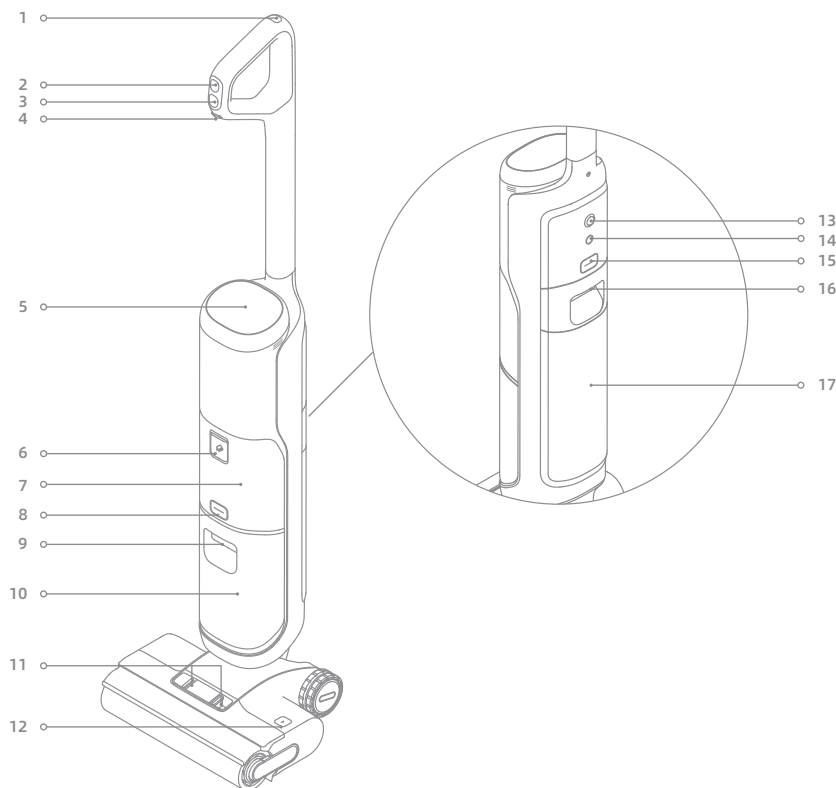


Base di Ricarica



Dispositivo Principale

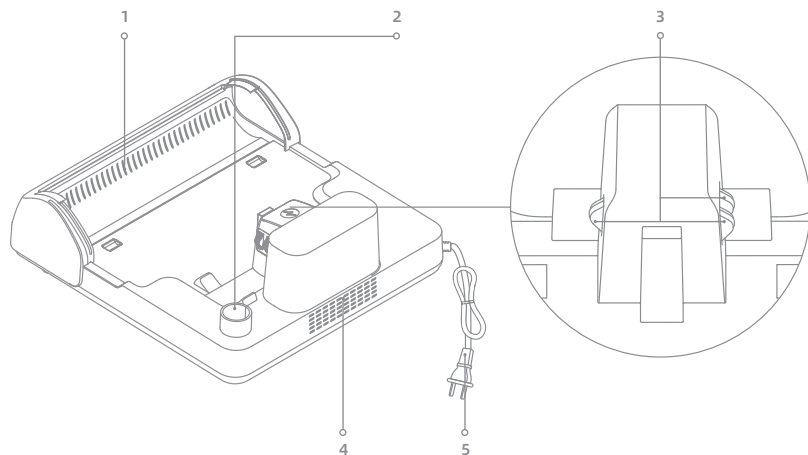
Aspirazione



- | | | |
|--|--|---|
| 1 Pulsante di Autopulizia | 8 Pulsante di Rilascio del Serbatoio dell'Acqua Pulita | 14 Pulsante messaggio vocale/ Wi-Fi |
| 2 Interruttore di Modalità | 9 Maniglia del Serbatoio dell'Acqua Pulita | • Premere brevemente per attivare il messaggio vocale o regolare il volume |
| 3 Interruttore di Alimentazione | 10 Serbatoio dell'Acqua Pulita | • Tenere premuto per avviare l'impostazione del Wi-Fi/ripristinare il Wi-Fi |
| 4 Interruttore di distribuzione automatica | 11 Pulsanti di Rilascio del Coperchio del Rullo della Spazzola | • Impostazione delle lingue tramite l'APP |
| 5 Schermo di Visualizzazione | 12 Pulsante di Rilascio del Rullo della Spazzola | |
| 6 Porta per la soluzione detergente | 13 Ruota omnidirezionale | |
| 7 Contenitore della soluzione detergente | | |

Introduzione del Prodotto

Base di Ricarica



- | | | | | |
|-----------------------------------|--|------------------------|-------------------------------------|-------------------------|
| 1 Uscita di Asciugatura dell'Aria | 2 Vano per lo stoccaggio degli accessori | 3 Contatti di Ricarica | 4 Ingresso di Asciugatura dell'Aria | 5 Cavo di Alimentazione |
|-----------------------------------|--|------------------------|-------------------------------------|-------------------------|

Schermo di Visualizzazione



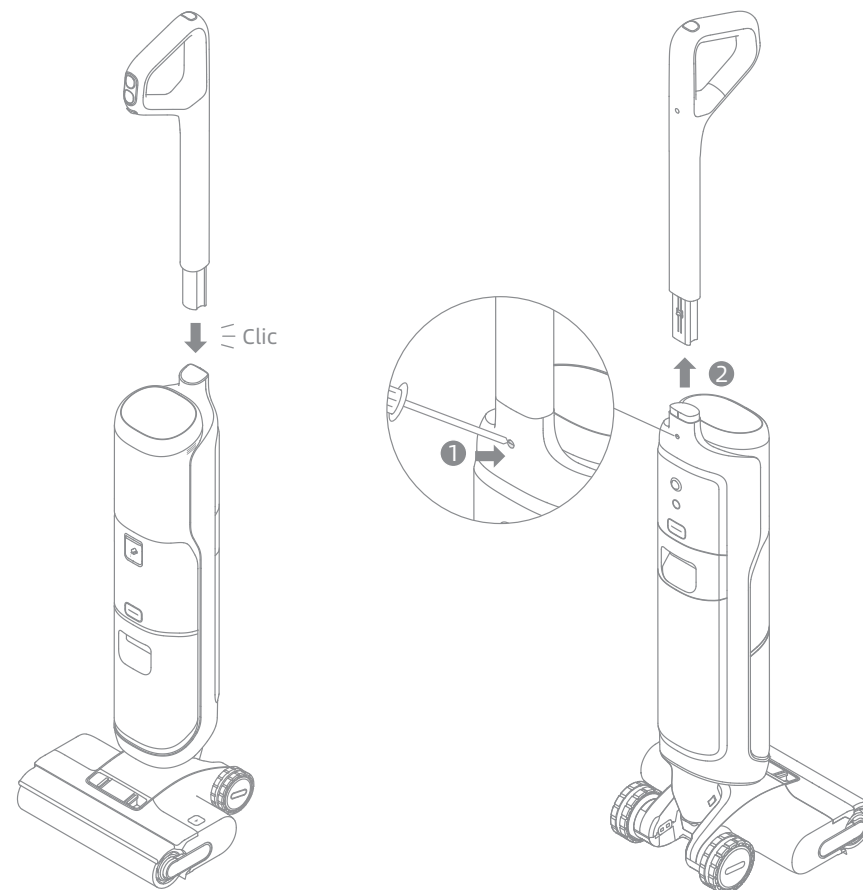
- | | | |
|---------------------------|--|---|
| 1 Modalità Auto | 5 Modalità di Asciugatura
Quando la modalità di asciugatura è attiva, si accendono le icone ☀️ e 🌀. | 7 Indicatore di carica/ Batteria scarica |
| 2 Modalità Ultra | 6 Indicatore di concentrazione della polvere/ Indicatore del processo di asciugatura di asciugatura
• Il colore dell'indicatore cambia in tempo reale in base alla quantità di polvere.
• L'indicatore segnala il processo di asciugatura. | 8 Messaggi di Errore |
| 3 Modalità di Aspirazione | | 9 Indicatore Wi-Fi |
| 4 Modalità Personalizzata | | 10 Indicatore di stato della soluzione detergente
• Accesso fisso: Funzione di diluizione attivata
• Lampeggiante: Lampeggiante Basso livello di diluizione |

Nota: Se l'apparecchio non funziona correttamente, il display visualizza un messaggio o un codice di errore. Per trovare la soluzione, consultare la tabella dei messaggi di errore e delle soluzioni.

Installazione

Installazione della Maniglia

Inserire il fondo della maniglia verticalmente nella porta sulla parte superiore dell'aspirapolvere secondo la direzione mostrata nella figura e l'installazione è riuscita quando si sente un clic.

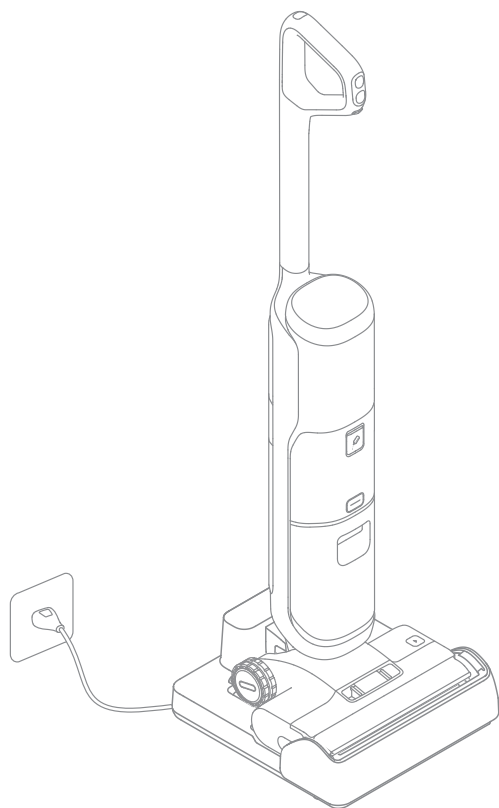


Nota: Per lo smontaggio, inserire un oggetto duro nel foro dell'apparecchio come indicato per premere sui contatti e tirare contemporaneamente l'impugnatura verso l'alto.

1. Posiziona la base di ricarica contro una parete su un terreno pianeggiante e collegala a una fonte di alimentazione. Ricarica completamente l'apparecchio prima del primo uso.
2. Posizionare l'apparecchio sulla base di ricarica. Quando il numero sul display raggiunge 100, la batteria è completamente carica.

⚡ Indicatore di carica/Batteria scarica

- Arancione intermittente: Livello batteria ≤ 20% (in carica)
- Verde intermittente: Livello batteria > 20% (in carica)
- Verde fisso: Completamente carica
- Arancione fisso: Livello batteria ≤ 20%

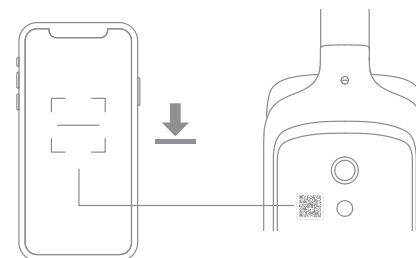


Nota:

- Se non si verificano operazioni entro 10 minuti dalla ricarica completa, l'aspirapolvere entra in modalità di riposo. Riavviare l'apparecchio se è necessario utilizzarlo.
- Per prolungare la durata della batteria, questa si raffredda automaticamente dopo un uso prolungato dell'apparecchio.

1. Scaricare l'App Dreamehome

Effettuare la scansione del codice QR sull'apparecchio, oppure cercare "Dreamehome" nell'App Store per scaricare e installare l'App.

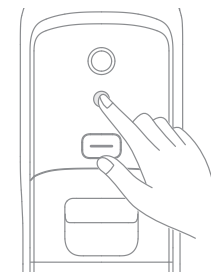
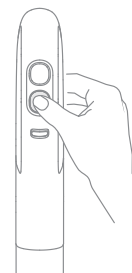


Nota:

- È supportato solo il Wi-Fi a 2,4 GHz.
- A causa degli aggiornamenti del software dell'App, le operazioni effettive potrebbero differire dalle indicazioni contenute nel presente manuale. Seguire le istruzioni in base alla versione attuale dell'App.

2. Aggiungere un dispositivo

- 1 Premere brevemente l'interruttore di alimentazione per accendere il dispositivo.
- 2 Tenere premuto il pulsante di messaggio vocale/Wi-Fi situato sul retro dell'apparecchio per impostare la connessione Wi-Fi. L'indicatore Wi-Fi lampeggia in bianco e il messaggio vocale dice: "In attesa della configurazione di rete".



- 3 Aprire l'App Dreamehome, e scansionare nuovamente lo stesso codice QR sull'apparecchio per aggiungere il dispositivo. Seguire le istruzioni per completare la connessione Wi-Fi.



Indicatore Wi-Fi

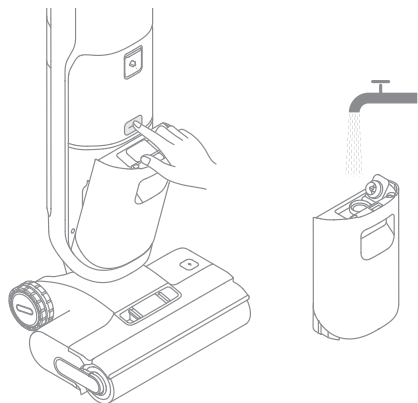
- Intermittente: Da connettere
- Lampeggiante: Connessione/Aggiornamento OTA
- Acceso: Collegato

Nota: L'apparecchio esce dalla connessione di rete se non viene eseguita alcuna operazione per 10 minuti o se la connessione di rete si interrompe. Per ripristinare il Wi-Fi, ripetere i passaggi precedenti e completare la connessione seguendo le istruzioni dell'App.

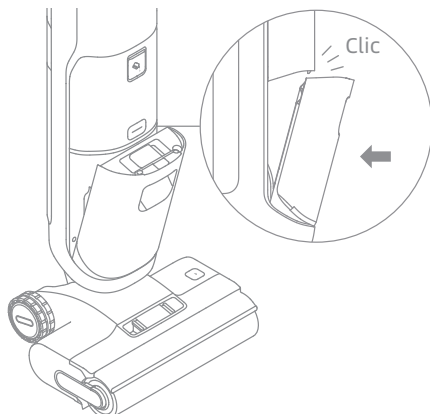
Istruzioni per l'Uso

Riempimento del serbatoio dell'acqua pulita

1. Premere il pulsante di rilascio del serbatoio dell'acqua pulita per rimuovere il serbatoio. Aprire il coperchio del serbatoio e riempire il serbatoio con acqua pulita.

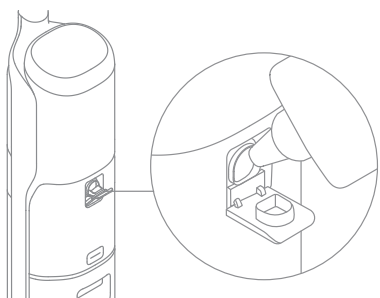



2. Installare il serbatoio dell'acqua pulita e assicurarsi che scatti in posizione.

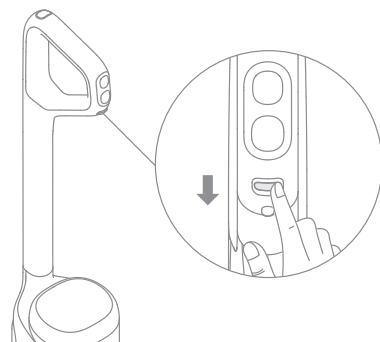


Aggiunta del liquido di pulizia


1. Aprire il coperchio del contenitore della soluzione detergente, riempire il contenitore con la soluzione detergente e chiuderlo bene.



2. Accendere l'interruttore di distribuzione automatica, quindi lo schermo  si accende. L'apparecchio regola in modo intelligente il rapporto tra soluzione detergente e acqua in base allo sporco presente sul pavimento per pulirlo in modo efficace.




Nota:

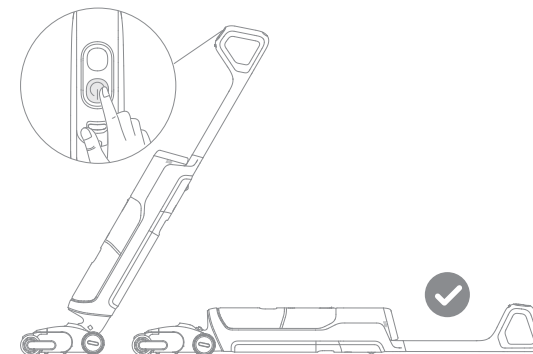
- Quando si usa, aggiungere la soluzione detergente direttamente nell'apposito contenitore. L'apparecchio regola il rapporto di diluizione in base alle impostazioni dell'app e alle condizioni dello sporco.
- Non aggiungere altri liquidi oltre al detergente ufficialmente approvato. Il detergente può essere acquistato sul negozio online ufficiale.
- Lo schermo  lampeggia per indicare che la soluzione detergente è esaurita. Rabboccare la soluzione detergente in tempo utile.
- Se la soluzione detergente non viene utilizzata temporaneamente, spegnere l'interruttore di distribuzione automatica.

AVVERTENZA: Per ridurre il rischio di incendio e di scosse elettriche dovute al danneggiamento dei componenti interni, utilizzare esclusivamente il fluido detergente dreame previsto per l'uso dell'apparecchio.

Istruzioni per l'Uso

Avvio della pulizia

Salire delicatamente sul coperchio della spazzola e reclinare l'apparecchio all'indietro. Premere l'interruttore di alimentazione  per avviare/arrestare il funzionamento. Se l'apparecchio si trova in posizione verticale durante il lavoro, l'attività in corso viene sospesa. L'apparecchio è progettato per essere posizionato in piano con un angolo di 180 gradi, in modo da poter raggiungere e pulire sotto i mobili bassi.



Nota:

- Non usare per aspirare liquidi schiumosi.
- Assicurarsi che l'apparecchio sia in posizione verticale prima di spegnerlo mentre è in posizione orizzontale.
- L'apparecchio è adatto per la pulizia di pavimenti, marmo, piastrelle e altre superfici dure.
- Quando l'apparecchio è in funzione, non sollevarlo da terra, né inclinarlo o appoggiarlo. In caso contrario, l'acqua usata potrebbe penetrare nel motore.

Cambiare le Modalità

Premere il commutatore di modalità  per cambiare modalità in base alle proprie esigenze.



Modalità Auto

L'apparecchio regola in modo intelligente la potenza di aspirazione in base alle macchie presenti sul pavimento.



Modalità Ultra

Preparazione della modalità ultra, attendere 30 secondi. Questa modalità è adatta alla pulizia profonda.



Modalità di Aspirazione

Se si seleziona la modalità di aspirazione, l'apparecchio aspira solo l'acqua; La spazzola a rullo non viene inumidita e non viene erogata acqua dal serbatoio dell'acqua pulita.



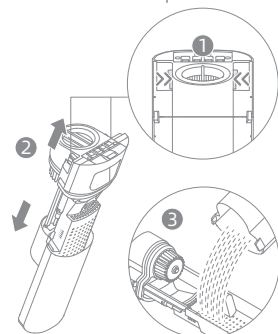
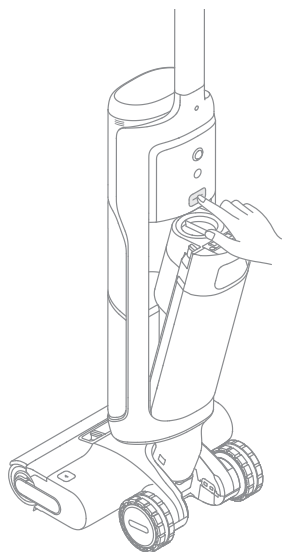
Modalità Personalizzata

Le impostazioni, compresa la regolazione della potenza di aspirazione e del livello dell'acqua, possono essere personalizzate tramite l'App. L'apparecchio inizierà a pulire in base alle impostazioni configurate nell'App.

Svuotamento del serbatoio dell'acqua usata

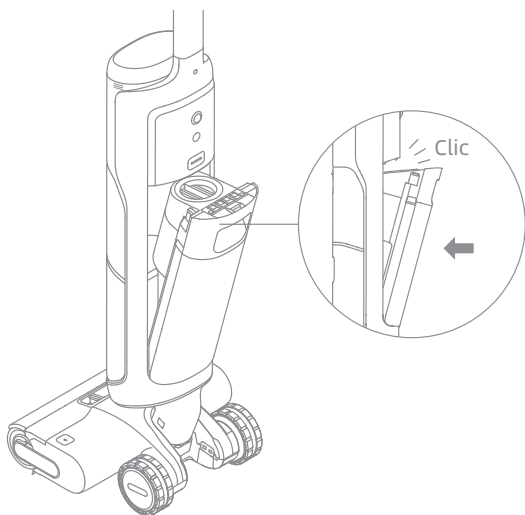
1. Premere il pulsante di rilascio del serbatoio dell'acqua usata per rimuovere il serbatoio.

2. Premere i pulsanti di rilascio del coperchio del serbatoio dell'acqua usata ed estrarre il serbatoio. Versare l'acqua usata e utilizzare il cestino del filtro per rifiuti solidi per separare i rifiuti solidi dall'acqua usata.





Nota: Il cestino del filtro dei solidi è un componente staccabile. L'apparecchio può essere utilizzato normalmente dopo la rimozione del pezzo.

3. Rimontare il serbatoio dell'acqua usata finché non si sente un clic.

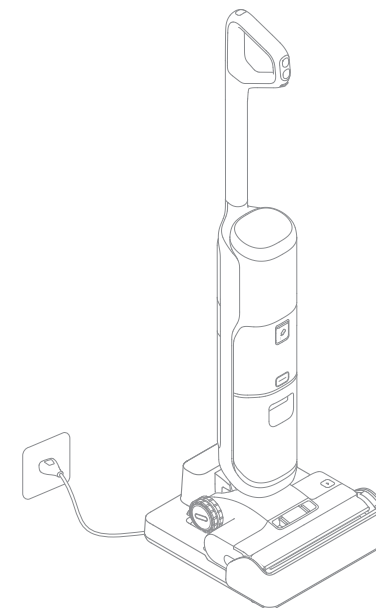


Autopulizia con acqua calda e modalità di asciugatura

1. Riposizionare l'apparecchio sulla base. Assicurarsi che l'acqua nel serbatoio dell'acqua pulita sia sufficiente per l'autopulizia.
2. Premi brevemente il pulsante  di auto-pulizia sulla parte superiore della maniglia per avviare / interrompere l'auto-pulizia.
3. Svuotare il serbatoio dell'acqua usata al termine dell'autopulizia e dopo aver attivato la modalità di asciugatura. Premere il pulsante  per uscire dalla modalità di asciugatura.
4. Tenere premuto il pulsante di autopulizia per accedere alle impostazioni della modalità di asciugatura e selezionare la modalità di asciugatura predefinita.

Nota:

- Se la distribuzione automatica è attivata, l'apparecchio utilizza automaticamente la soluzione detergente per l'autopulizia.
- Non toccare la spazzola a rullo, l'acqua calda o il modulo di riscaldamento della base di ricarica durante l'autopulizia con acqua calda.
- La funzione di autopulizia può essere attivata solo quando l'apparecchio è in carica e il livello della batteria è superiore al 15%. Se il livello della batteria è inferiore, caricarla al 15% prima di avviare l'autopulizia.
- I parametri pertinenti dichiarati da questo prodotto possono essere influenzati dalla temperatura ambientale, dall'umidità, dall'altitudine o da altri fattori. I risultati del test possono avere una deviazione di $\pm 10\%$, secondo la situazione reale.



Ripristino delle impostazioni di fabbrica

Tenere premuto il pulsante di messaggio vocale/Wi-Fi e il pulsante di autopulizia per 3 secondi per ripristinare le impostazioni di fabbrica.

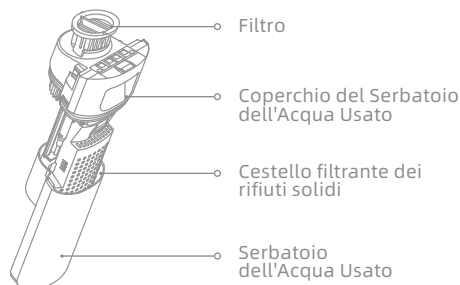
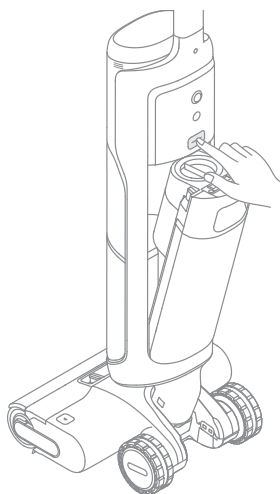
Suggerimenti:

- Spegnerne l'apparecchio prima di effettuare la manutenzione. Non toccare l'interruttore di alimentazione.
- Le parti devono essere sostituite se necessario, si prega di utilizzare le parti designate dalla fabbrica originale per evitare danni al prodotto a causa di inadeguatezza.
- Se l'apparecchio non è usato per un periodo esteso, ricaricato completamente, scollega l'adattatore di alimentazione e riponi l'apparecchio in un ambiente fresco e poco umido, lontano dalla luce solare diretta. Per evitare una scarica eccessiva della batteria, ricarica l'apparecchio almeno una volta ogni 3 mesi.

Pulizia del serbatoio dell'acqua usata

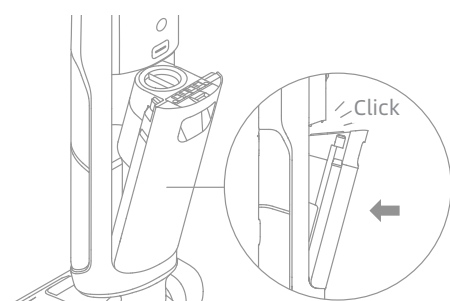
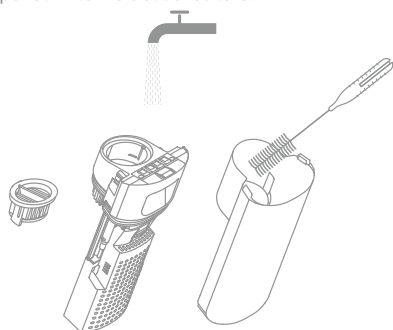
1. Premere il pulsante di rilascio del serbatoio dell'acqua usata per rimuovere il serbatoio.

2. Premere i pulsanti di rilascio del coperchio del serbatoio dell'acqua usata ed estrarre il serbatoio. Rimuovere il filtro dal coperchio del serbatoio dell'acqua usata.



3. Sciacquare con acqua il serbatoio dell'acqua usata, compreso il motore di separazione sul coperchio del serbatoio, il cestello del filtro dei rifiuti solidi e il coperchio del serbatoio. Utilizzare la spazzola di pulizia in dotazione per pulire le pareti interne del serbatoio.

4. Reinstallare il filtro e il coperchio del serbatoio dell'acqua usata. Quindi reinserire il serbatoio dell'acqua usata finché non si sente un clic.



Nota: Si raccomanda di pulire il serbatoio dell'acqua usata dopo ogni utilizzo, nonché prima e dopo l'autopulizia.

Pulizia del filtro

1. Rimuovere il filtro e rimuovere delicatamente la polvere galleggiante in superficie.

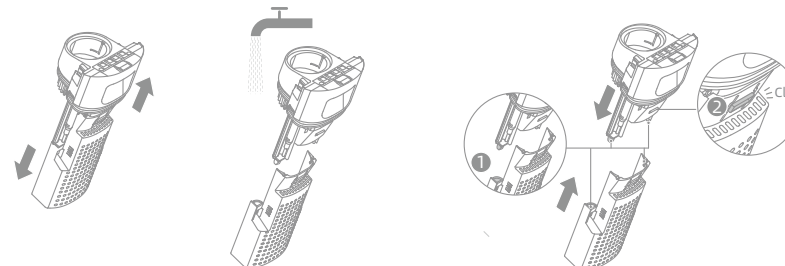
2. Quando il filtro è sporco e occorre lavarlo, sciacquarlo con acqua. Prima dell'uso deve essere completamente asciutto.



Nota: si consiglia di sostituire il filtro ogni 3-6 mesi.

Pulizia del cestello del filtro dei rifiuti solidi

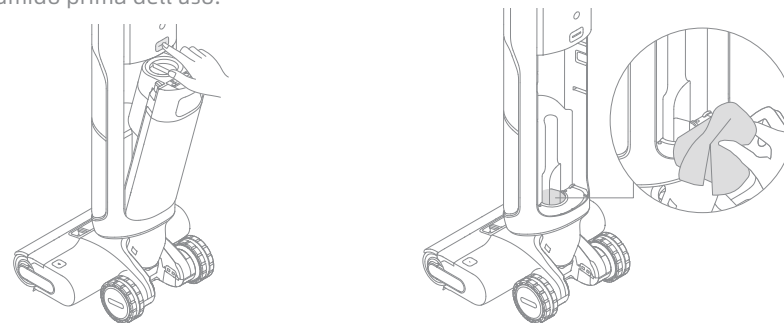
Rimuovere il serbatoio dell'acqua usata e il coperchio del serbatoio. Quindi, staccare il cestello del filtro dei rifiuti solidi per pulirlo. Per il rimontaggio, allineare la parte inferiore del coperchio del serbatoio dell'acqua usata con i fori di posizionamento sul cestello del filtro dei rifiuti solidi. Inserirlo correttamente finché non si sente un clic.



Nota: Il cestello del filtro dei solidi è un componente staccabile. L'apparecchio può essere utilizzato normalmente dopo la rimozione del pezzo.

Pulizia del Tubo e del Sensore di Sporco

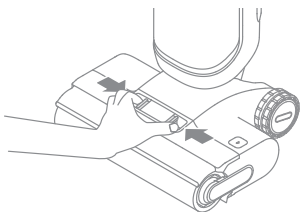
Rimuovere il serbatoio dell'acqua usata. Pulire il tubo e il sensore di sporcia con un panno umido prima dell'uso.



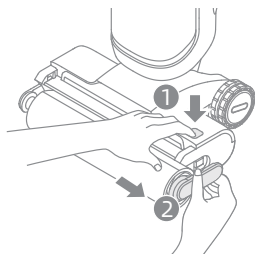
Nota: non sciacquare il tubo o il sensore di sporcia.

Pulizia del Gruppo Spazzole

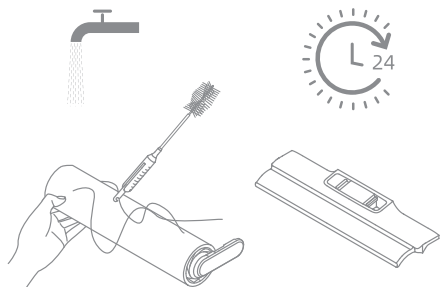
1. Premere i pulsanti di rilascio del coperchio del rullo spazzola per rimuoverlo.



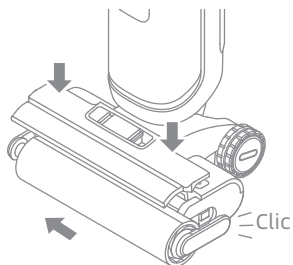
2. Premere il pulsante di rilascio della spazzola a rullo e tirare la maniglia per estrarre la spazzola.



3. Eliminare i capelli e i detriti rimasti sulla spazzola a rullo con la spazzola di pulizia in dotazione. Sciacquare il rullo e il coperchio con acqua pulita e asciugarli completamente.



5. Reinstallare la spazzola a rullo e il coperchio della spazzola finché non si sente un clic.



Nota:

- Non sciacquare il gruppo spazzola con acqua.
- Pulire secondo necessità. Si consiglia di sostituire la spazzola a rullo ogni 3-6 mesi.
- Assicurarsi che il serbatoio dell'acqua usata sia stato rimosso o svuotato prima di appoggiare l'apparecchio su un fianco per pulire la spazzola a rullo.

Suggerimento Guasto

Se si verifica un errore, l'apparecchio smetterà di funzionare. Per favore fai riferimento alla tabella seguente per la risoluzione dei problemi. Se il problema persiste, per favore contatta il servizio clienti.

Errore	Causa possibile	Soluzione
L'apparecchio non funziona.	La batteria dell'apparecchio è scarica o il livello della batteria è basso.	Ricarica completamente la batteria prima dell'uso.
	L'apparecchio è in posizione verticale.	Reclina l'apparecchio all'indietro.
	Un blocco ha attivato la modalità di protezione dal surriscaldamento.	Elimina il blocco e attendi che la temperatura ritorni normale.
	Il serbatoio dell'acqua usata è pieno.	Svuota il serbatoio dell'acqua usata.
L'apparecchio si ricarica lentamente.	Le parti non sono installate in posizione.	Assicurarsi che tutte le parti siano posizionate correttamente.
	La temperatura della batteria è troppo bassa o troppo alta.	Attendi finché la temperatura della batteria non torna normale.
La potenza di aspirazione dell'apparecchio è debole.	Il filtro è ostruito.	Pulire il filtro.
	La bocca o il tubo di aspirazione sono bloccati da un oggetto estraneo.	Pulisci il tubo e l'ingresso di aspirazione.
Il motore fa uno strano rumore.	C'è troppa acqua sporca nel serbatoio dell'acqua usata.	Svuota il serbatoio dell'acqua usata.
	La bocca di aspirazione principale è ostruita.	Eliminare qualsiasi blocco nella bocca di aspirazione principale..
L'indicatore del livello della batteria sul display non si accende durante la carica.	La spina della base di ricarica non è inserita correttamente nella presa elettrica.	Assicurati che la spina della base di ricarica sia inserita in posizione.
	L'apparecchio non è posizionato correttamente sulla base di ricarica.	Assicurati che l'apparecchio sia posizionato correttamente sulla base di ricarica.
Non esce acqua dall'apparecchio.	Il serbatoio dell'acqua pulita non è installato correttamente oppure l'acqua nel serbatoio dell'acqua pulita è insufficiente.	Reinstallare o riempire il serbatoio dell'acqua pulita.
	Ci vogliono 30 secondi per inumidire il rullo della spazzola.	Accendere l'apparecchio e ricontrollare dopo un po'.

IT Suggerimento Guasto

Perdita d'acqua dalla parte superiore del serbatoio dell'acqua sporca.	Una collisione o una forte trazione provoca l'ingresso di acqua nel motore.	Spostare delicatamente avanti e indietro quando l'aspirapolvere è acceso.
	Il filtro non è completamente asciutto dopo essere stato pulito.	Asciugare completamente il filtro prima dell'uso.
Auto-pulizia fallita.	Il rullo della spazzola potrebbe essere inceppato da particelle grandi.	Rimuovere il coperchio della spazzola a rullo per controllare e pulire il rullo stesso.
	L'apparecchio non è posizionato correttamente sulla base di ricarica.	Assicurati che l'apparecchio sia in ricarica prima di abilitare la funzione di auto-pulizia.
	L'auto-pulizia non può essere avviata se il livello della batteria è inferiore al 15%.	L'autopulizia può essere attivata solo quando l'apparecchio è in carica e il livello della batteria è superiore al 15%.
	Il serbatoio dell'acqua usata non è installato in posizione o il serbatoio dell'acqua usata è pieno.	Reinstalla o svuota il serbatoio dell'acqua usata.
	Il serbatoio dell'acqua pulita non è installato in posizione, oppure l'acqua nel serbatoio dell'acqua pulita è insufficiente.	Reinstallare o riempire il serbatoio dell'acqua pulita.
Scarse prestazioni di asciugatura.	L'uscita dell'aria e l'ingresso dell'aria della base di ricarica potrebbero essere bloccati.	Controllare ed eliminare l'ostruzione dell'uscita e dell'ingresso dell'aria.
La modalità di asciugatura non funziona	La modalità di asciugatura non può essere attivata se il livello della batteria è inferiore al 15%.	Al termine dell'autopulizia, l'apparecchio avvierà automaticamente il processo di asciugatura una volta raggiunta la carica del 15%.
La connessione Wi-Fi non funziona.	La password della rete Wi-Fi non è corretta.	Assicurarsi che la password utilizzata per la connessione alla rete Wi-Fi sia corretta.
	Il robot non supporta una connessione Wi-Fi a 5 GHz.	Assicurarsi che l'apparecchio sia collegato a una connessione Wi-Fi a 2,4 GHz.
	Il segnale Wi-Fi è debole.	Assicurarsi che l'apparecchio si trovi in un'area con una buona copertura Wi-Fi.
	Il robot potrebbe non essere pronto per essere configurato.	Uscire e rientrare nell'App, quindi riprovare come indicato.

Per servizi aggiuntivi, per favore contattaci via aftersales@dreame.tech
<https://global.dreame.tech>

IT Prompt di Errore e Soluzioni

Se l'apparecchio non funziona correttamente, il display visualizza un messaggio di errore. Per trovare la soluzione, consultare la tabella seguente.

Icona errore	Causa possibile	Soluzione
	Acqua insufficiente nel serbatoio dell'acqua pulita	Riempire il serbatoio dell'acqua pulita.
	Serbatoio dell'acqua usata non installato	Installare il serbatoio dell'acqua usata.
	Serbatoio dell'acqua usata pieno	Svuota il serbatoio dell'acqua usata.
	Serbatoio dell'acqua usata ostruito	Sciacquare con acqua il serbatoio dell'acqua usata, compreso il motore di separazione sul coperchio del serbatoio, il cestello del filtro dei rifiuti solidi e il coperchio del serbatoio.
	Rullo della spazzola bloccato	Per la pulizia del tubo e del sensore di sporczia, consultare la sezione Cura e manutenzione.
	Rullo della spazzola non installato	Pulire la spazzola a rullo.
	Rullo della spazzola bloccato	Installa il rullo della spazzola.
	La spazzola a rullo e il tubo sono sporchi	Riposizionare l'apparecchio sulla base per la pulizia automatica.
	Soluzione detergente insufficiente	Riempire il contenitore della soluzione detergente.

Codice di errore	Causa possibile	Soluzione
E1-E7	Errore	Riavvi l'apparecchio per la risoluzione dei problemi. Se il problema persiste, per favore contatta il servizio clienti.
F1-F6		
H1-H6		
H7	Batteria guasta	Attendere che la temperatura della batteria ritorni normale, e poi continuare l'utilizzo dell'aspirapolvere.

IT Parametri di Base

Aspirazione			
Modello	HHR31A	Potenza Nominale	400 W
Tensione Nominale	21,6 V ===	Tempo di Carica	Circa 3,5 ore
Capacità del Serbatoio dell'Acqua Pulita	880 mL	Capacità del Serbatoio dell'Acqua Usata	650 mL
Frequenza operativa	2400-2483.5 MHz	Potenza di uscita massima	< 20 dBm
Base di Ricarica			
Modello	HCBM	Potenza nominale in ingresso*	345 W
Ingresso nominale	220-240 V~50-60 Hz	Potenza nominale	27 V=== 1,6 A

* La potenza nominale in ingresso si riferisce alla potenza misurata durante un ciclo rappresentativo per l'attivazione della modalità di asciugatura.

Scatola	Manuale	Borsa	Pellicola	Pellicola	Maniglia
PAP 20	PAP 22	CPE 7	PET 1	PP 5	PE 4/PP 5
Carta		Plastica			
RACCOLTA DIFFERENZIATA					
Verifica le disposizioni del tuo Comune. Separa le componenti e conferiscile in modo corretto.					

Smaltimento e Rimozione della Batteria

La batteria incorporata agli ioni di litio contiene sostanze pericolose per l'ambiente. Prima di smaltire la batteria, assicurati che la batteria sia rimossa da tecnici qualificati e smaltita presso un centro di riciclaggio appropriato.

- la batteria deve essere rimossa dall'apparecchio prima che sia rottamata;
- l'apparecchio deve essere scollegato dalla rete di alimentazione al momento della rimozione della batteria;
- la batteria deve essere smaltita in modo sicuro.

Guida alla Rimozione

1. Togliere il tappo a vite nella parte superiore del retro dell'apparecchio e rimuovere la vite con un cacciavite.
2. Utilizzare un utensile adeguato per rimuovere il gruppo del display e scollegare i cavi.
3. Con un cacciavite, rimuovere tutte le viti di fissaggio dal corpo.
4. Rimuovere le viti sul gruppo batteria e quindi rimuovere il coperchio della batteria.
5. Scollegare i cavi di collegamento del gruppo batteria e rimuovere la batteria dal gruppo stesso.

ATTENZIONE:

- Prima di rimuovere la batteria, scollega l'alimentazione ed esaurisci la batteria il più possibile.
- Le batterie non necessarie devono essere smaltite presso un centro di riciclaggio appropriato.
- Non esporre ad ambienti ad alta temperatura per evitare rischi di esplosione.
- In condizioni abusive, il liquido potrebbe essere espulso dalla batteria. In caso di contatto, sciacqua con acqua e consulta un medico.

Instrucciones de Seguridad Importantes

Lea este manual detenidamente antes de usar el aspirador y guárdelo para su consulta en el futuro.

Al usar un aparato eléctrico, siempre se deben seguir las precauciones básicas, incluidas las siguientes:

LEA TODAS LAS INSTRUCCIONES ANTES DE USO (DE ESTE APARATO). El incumplimiento de las advertencias e instrucciones puede provocar descargas eléctricas, incendios y / o lesiones graves.

ADVERTENCIA – Para reducir el riesgo de incendio, descarga eléctrica o lesiones:

Restricciones de Uso

- Este producto no debe ser utilizado por niños menores de 8 años ni por personas con deficiencias físicas, sensoriales o intelectuales, o experiencia o conocimientos limitados, sin la supervisión de un progenitor o un tutor legal que pueda garantizar un funcionamiento seguro y evitar riesgos. La limpieza y el mantenimiento no deben ser realizados por menores sin supervisión.
- La película plástica puede causar peligro. Para evitar asfixia, manténgala alejado de los niños. Los niños no deben jugar con el aparato.
- Utilícelo únicamente en interiores y sobre pisos sin alfombras, como por ejemplo vinilo, baldosas, madera sellada, etc. Tenga cuidado de no pasar por encima de objetos sueltos o bordes de tapetes. Cepillo atrapado puede causar falla prematura de la correa.
- Utilícelo únicamente como se describe en este manual del usuario. Utilice solo los accesorios recomendados por el fabricante.
- No exponga el aparato al fuego ni a temperaturas excesivas. Exponerlo a fuego o a una temperatura excesiva puede provocar explosión.
- No lo utilice en ambientes extremadamente cálidos o fríos (por debajo de 5°C/41°F o sobre 40°C/104°F). Cargue el aparato a una temperatura superior a 5°C/41°F e inferior a 40°C/104°F.
- No sumerja el aparato en líquido.
- No lo use para recoger líquidos inflamables o combustibles, como gasolina. No lo use en áreas donde pueda haber líquidos inflamables o combustibles.
- No coloque ningún objeto en las aberturas. No utilice el aparato cuando alguna abertura esté bloqueada; manténgalo libre de polvo, pelusa, cabello y cualquier cosa que pueda impedir el flujo de aire.
- No recoja material tóxico (blanqueador con cloro, amoníaco, líquido limpiador de desagües, etc.). No recoja objetos duros o afilados como vidrio, clavos, tornillos, monedas, etc.
- No utilice el aparato en un espacio cerrado lleno de vapor emitido por pintura a base de aceite, disolvente de pintura, sustancias a prueba de polillas, polvo inflamable u otros vapores explosivos o tóxicos. No recoja ningún objeto que se esté quemando o humeando, como cigarrillos, fósforos o cenizas calientes.
- No lo use sin los filtros instalados correctamente.
- Mantenga el cabello, la ropa suelta, los dedos y todas las partes de su cuerpo alejados de las aberturas y las partes móviles del aparato y sus accesorios.
- Mantenga los cables de conexión a tierra alejados del aparato durante el uso, ya que puede producirse peligro si el aparato atropella un cable de alimentación.
- Tenga especial cuidado al limpiar escaleras.